

MC 1210

Зип Общепит

vsezip.ru

Electronic modular cuber

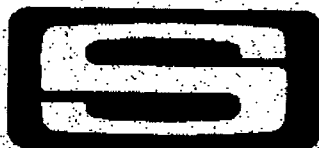
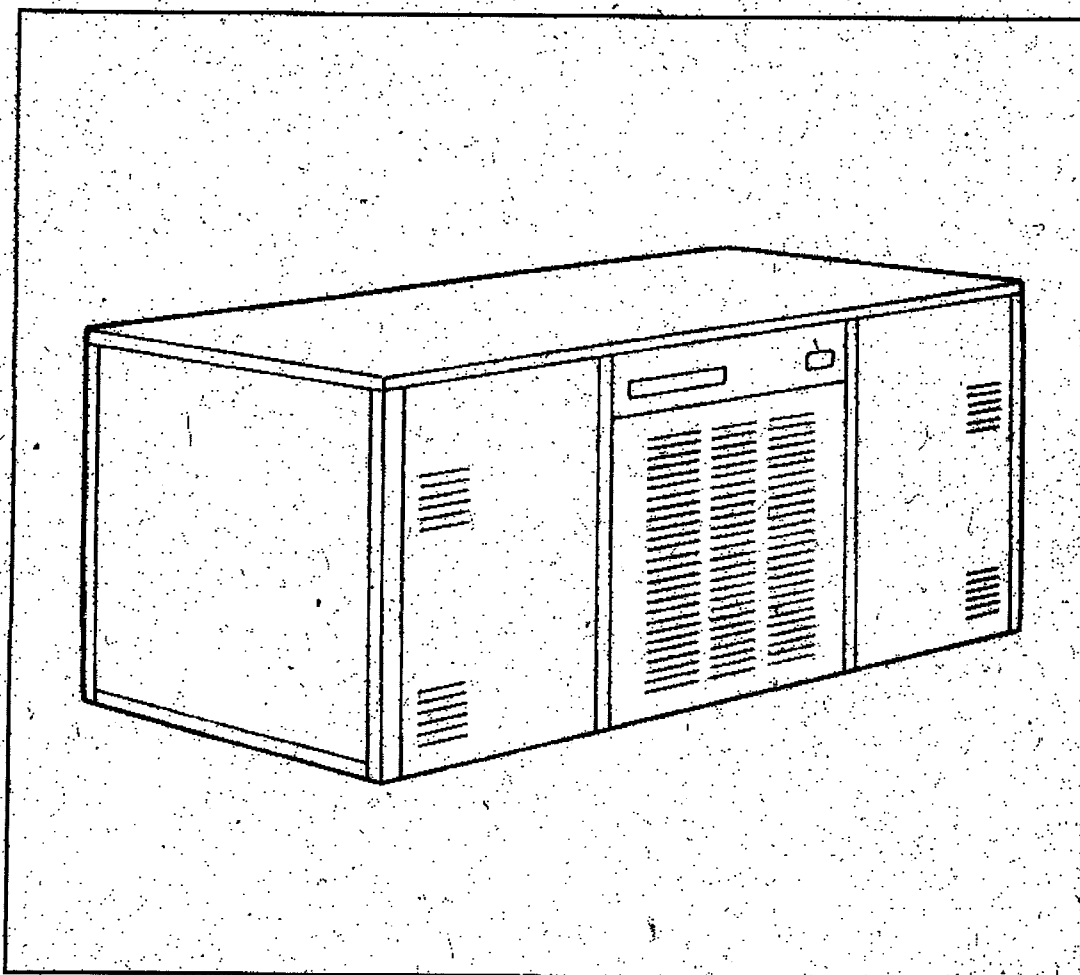
+7 (812) 987-08-81

Spare parts list

Catalogo ricambi

Catalogues pièces détachées

Ersatzteilkatalog



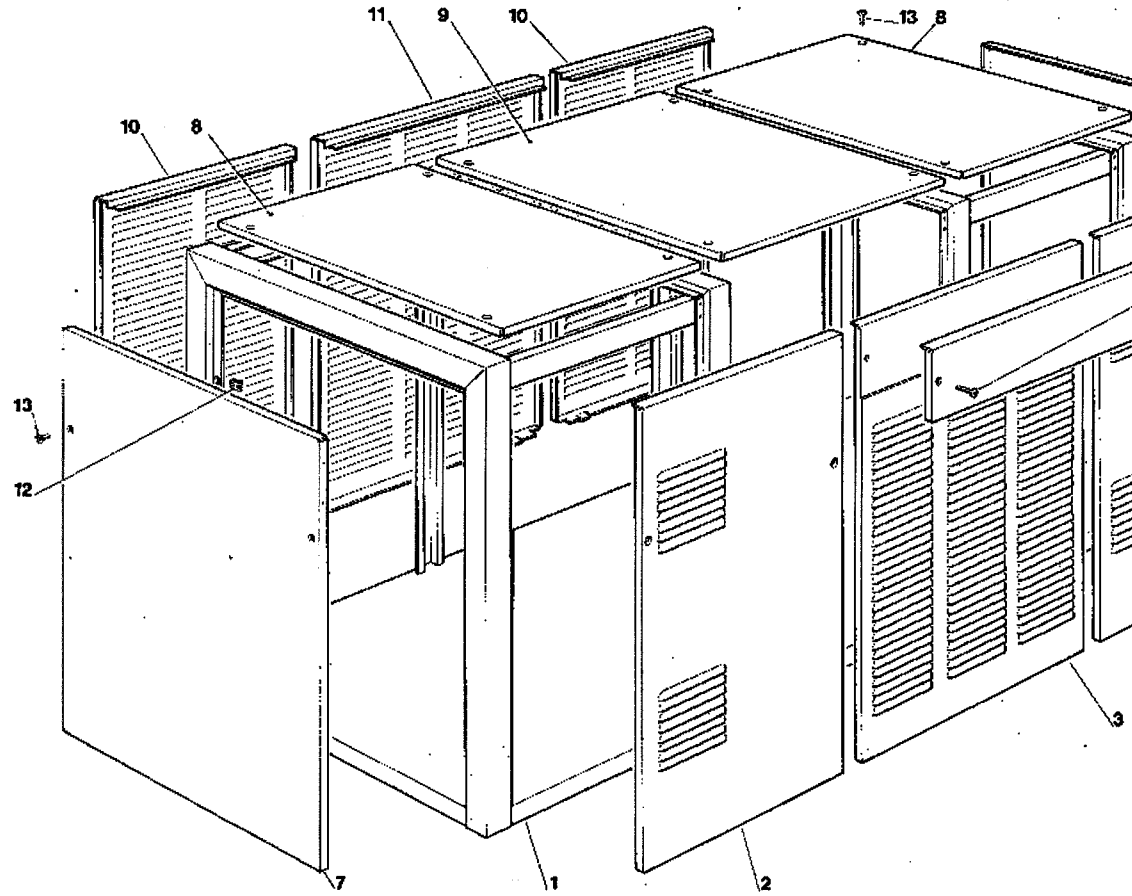
SCOTSMAN®

ICE SYSTEMS

Зип-Общепит

vsezip.ru

+7(812)987-08-81



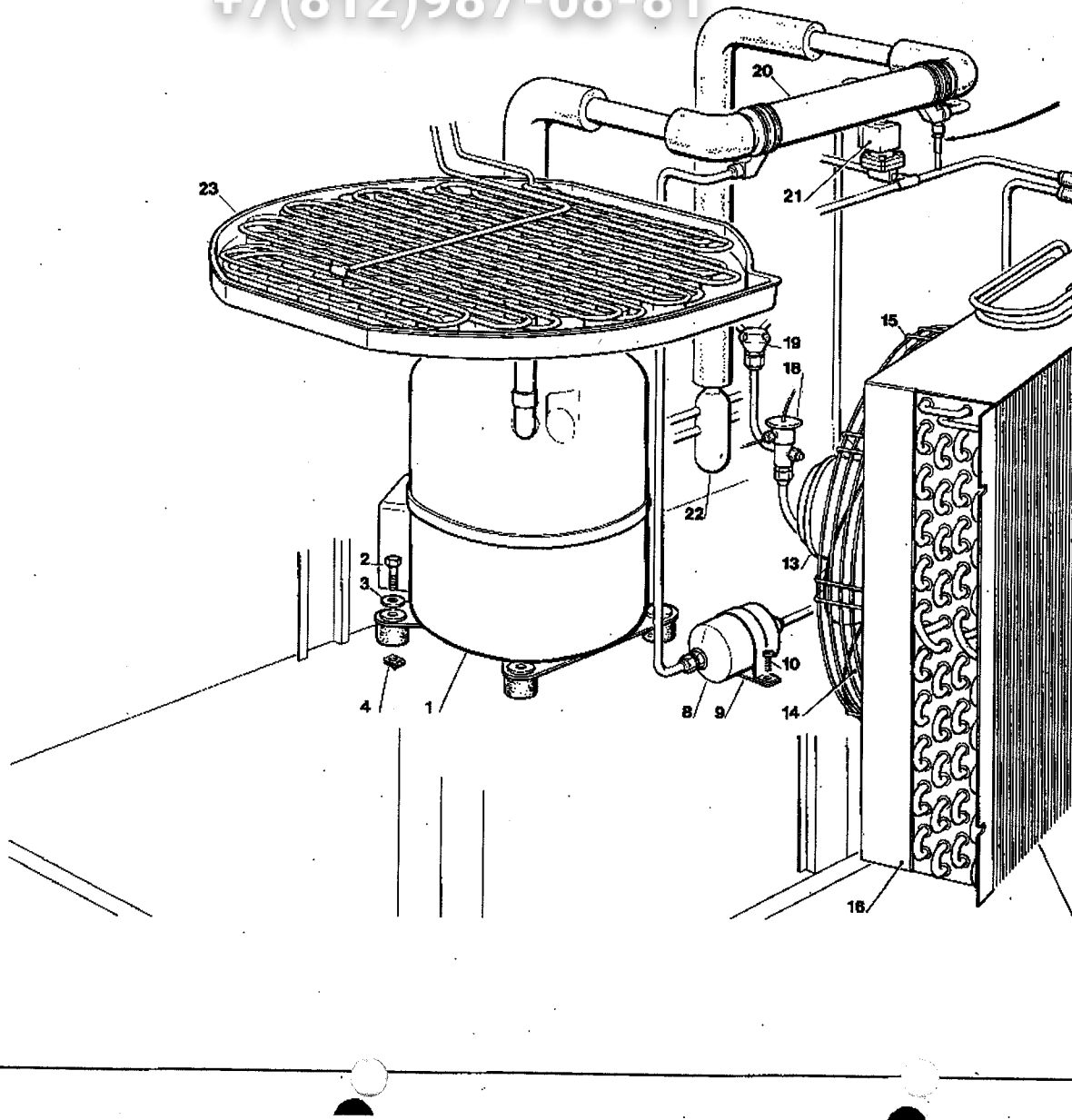
MC 1210 - UNIT PANELS - ASSIEME MOBILE - ENS. CARROSSERIE - MACHINE

ITEM NO POS NO REP. NO REF. NO	PART NO CODICE REFERENCE STUECK NR.	DESCRIPTION	DESCRIZIONE	DESIGNATION
1	784360 01	FRAME ASSY S.S.	ASSIEME TEL. AIO ACCIAIO INOX	ENSAMBLE CHASSIS ACIER IN
2	702104 01	FRONT SIDE PANEL S.S.	PANNELLO FRONTALE LATERALE ACC. INOX	PANNEAU AVANT LATÉRAL AC
3	702143 01	FRONT CENTRAL PANEL S.S.	PANNELLO FRONTALE CENTRALE ACC. INOX	PANNEAU AVANT CENTRAL A
4	721500 00	UPPER CENTRAL FRONT PANEL	PANNELLO FRONT. CENTRALE SUPERIORE	PANNEAU AVANT CENTRAL S
5	470002 06	SCREW	VITE	VIS
6	470002 06	SCREW	VITE	VIS
7	702041 01	SIDE PANEL S.S.	PANNELLO LATERALE ACC. INOX	PANNEAU ACIER INOX
8	702102 01	TOP SIDE PANEL S.S.	PANNELLO SUPER. LATERALE ACC. INOX	PANNEAU SUPERIEUR LATÉRAL
9	702102 03	TOP CENTRAL PANEL S.S.	PANNELLO SUPER. CENTRALE ACC. INOX	PANNEAU SUPERIEUR CENTRAL
10	702105 03	REAR SIDE PANEL S.S.	PANNELLO POSTER. LATERALE ACC. INOX	PANNEAU ARRIERE LATÉRAL A
11	702103 01	REAR CENTRAL PANEL S.S.	PANNELLO POSTER. CENTRALE ACC. INOX	PANNEAU ARRIERE CENTRAL A
12	650028 01	METAL CLIP	MADREVITE METALLICA	ECROU
13	470002 06	SCREW	VITE	VIS

Зип Ощепит

vsezip.ru

+7(812)987-08-81



MC 1210 - REFRIGERANT SYSTEM AIR COOLED - SISTEMA REFRIGERANTE RAFFREDDAMENTO
 CIRCUIT FRIGORIFIQUE REFROID. PAR AIR - LUFTGEKÜHLT GEFRIERSYSTEM

ITEM NO POS NO REP. NO REF. NO	PART NO CODICE REFERENCE STUECK NR.	DESCRIPTION	DESCRIZIONE	DESIGNATION
1	870096 02 870096 03	COMPRESSOR ASSY 380/50/3 COMPRESSOR ASSY 220/50/3	ASSIEME COMPRESSORE 380/50/3 ASSIEME COMPRESSORE 220/50/3	ENSAMBLE COMPRESSEUR 380/50/3 ENSAMBLE COMPRESSEUR 220/50/3
2	420022 00	SCREW	VITE	VIS
3	440088 00	WASHER	RONDELLA	RONDELLE
4	650407 00	METAL CLIP	DADO IN GABBIA	ECROU
5	650109 00	VALVE BODY	CORPO VALVOLA	CORPS DE VANNE
6	670012 00	VALVE PISTON	PISTONCINO VALVOLA	PISTON
7	650106 00	VALVE CAP	CAPPUCCIO VALVOLA	CAPUCHON DE VANNE
8	670024 04	DRIER	FILTRODEUMIDIFICATORE	FILTRE DESHYDRATEUR
9	704135 03	CLAMP	FASCETTA	COLLIER
10	470018 00	SCREW	VITE	VIS
11	620388 00	AIR COOLED CONDENSER	CONDENSATORE AD ARIA	CONDENSEUR A AIR
12	650163 01	HINGE	CERNIERA	CHARNIERE
13	620273 00	FAN MOTOR ONLY	MOTORE VENTILATORE	MOTEUR VENTILATEUR
14	620274 00	FAN BLADE	VENTOLA	HELICE
15	620336 00	PROTECTION GRID	GRIGLIA DI PROTEZIONE	GRILLE DE PROTECTION
16	702063 01	CONDENSER SHROUD	CONVOGLIATORE	CONVOYEUR
17	650313 06 650313 07	FLEXIBLE REFRIGERANT LINE-LIQUID FLEXIBLE REFRIGERANT LINE-GAS	TUBO ANTIVIBRANTE-LIQUIDO TUBO ANTIVIBRANTE-GAS	AMMORTISSEUR VIBRATION-LIQ AMMORTISSEUR VIBRATION-GAS
18	620326 10	THERMOSTATIC EXPANSION VALVE	VALVOLA ESP. THERMOSTATICA	DETENDEUR THERMOSTATIQUE
19	650554 0C	REFRIGERANT MANIFOLD	INIETTORE MULTIPLO	COLLECTEUR REFRIGERANT
20	620317 01	HEAT EXCHANGER	SCAMBIATORE DI CALORE	EXCHANGEUR DE CHALEUR
21	620306 06 620306 08	HOT GAS VALVE BODY HOT GAS VALVE COIL	CORPO VALVOLA GAS CALDO BOBINA VALVOLA GAS CALDO	CORP VANNE GAZ CHAUD BOBINE VANNE GAZ CHAUD
22	650533 01	ACCUMULATOR	ACCUMULATORE	ACCUMULATEUR
23	784345 03 784346 03	EVAPORATOR ASSY - LARGE EVAPORATOR ASSY - MEDIUM	ASSIEME EVAPORATORE - GRANDI ASSIEME EVAPORATORE - MEDI	ENSAMBLE ÉVAPORATEUR - GRAND ENSAMBLE ÉVAPORATEUR - MOYEN

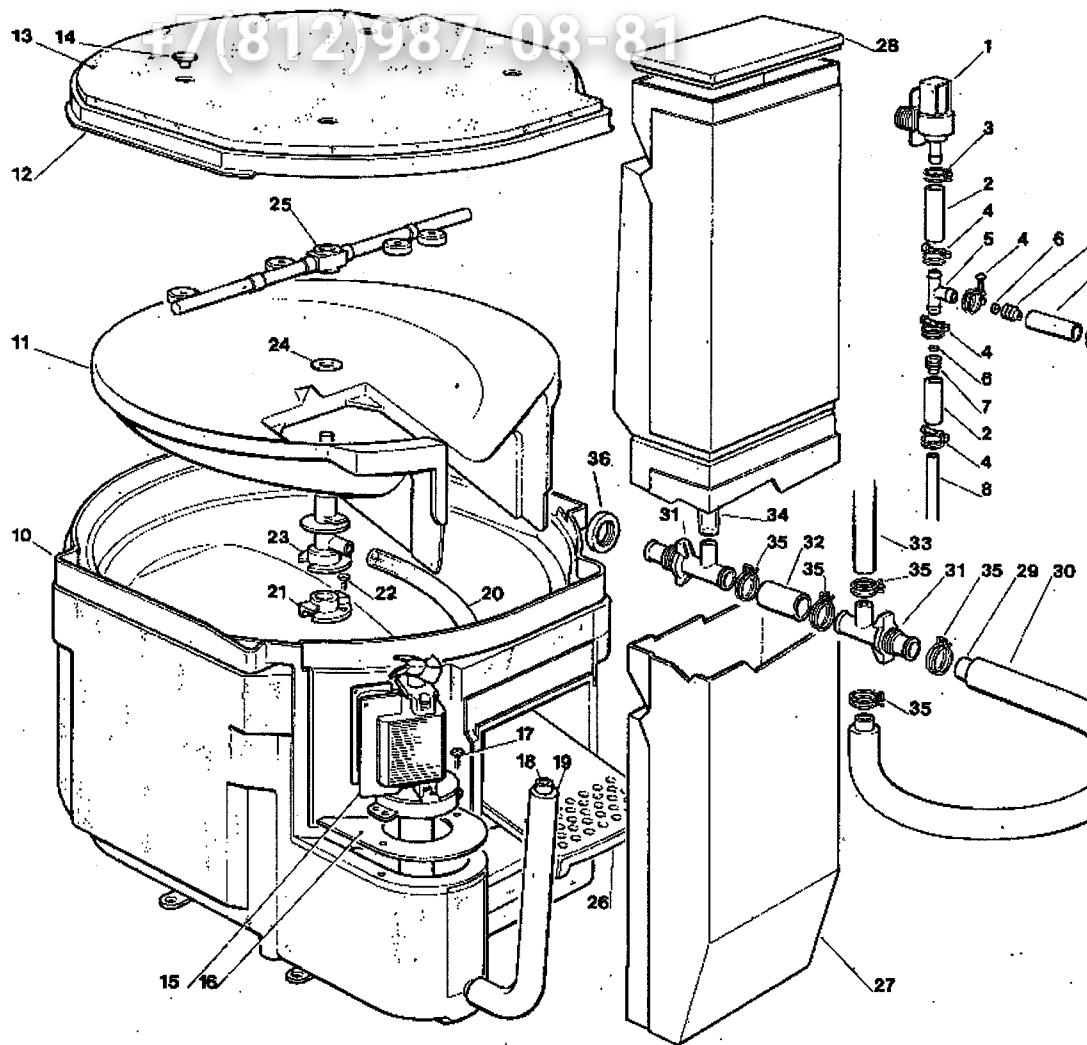
MC 1210 - REFRIGERANT SYSTEM WATER COOLED - SISTEMA REFRIGERANTE RAFFREDDAMENTO
CIRCUIT FRIGORIFIQUE REFRROID. PAR EAU - WASSERGEKÜHLT GEFRIERSYSTEM

ITEM NO POS NO REP. NO REF. NO	PART NO CODICE REFERENCE STUECK NR.	DESCRIPTION	DESCRIZIONE	DESIGNATION
1	670096 02 670096 03	COMPRESSOR ASSY 380/50/3 COMPRESSOR ASSY 220/50/3	ASSIEME COMPRESSORE 380/50/3 ASSIEME COMPRESSORE 220/50/3	ENSAMBLE COMPRESSEUR 380/50/3 ENSAMBLE COMPRESSEUR 220/50/3
2	420022 00	SCREW	VITE	VIS
3	440098 00	WASHER	RONDELLA	RONDELLE
4	650407 00	METAL CLIP	DADO IN GABBIA	ECROU
5	650109 00	VALVE BODY	CORPO VALVOLA	CORPS DE VANNE
6	670012 00	VALVE PISTON	PISTONCINO VALVOLA	PISTON
7	650106 00	VALVE CAP	CAPPUCCIO VALVOLA	CAPUCHON DE VANNE
8	670024 04	DRIER	FILTRODEUMIDIFICATORE	FILTRE DESHYDRATEUR
9	704135 03	CLAMP	FASCETTA	COLLIER
10	470019 00	SCREW	VITE	VIS
11	620390 00	WATER COOLED CONDENSER	CONDENSATORE AD ACQUA	CONDENSEUR A EAU
12	420000 13	SCREW	VITE	VIS
13	650029 03	METAL CLIP	DADO IN GABBIA	ECROU
14	733204 01	WATER INLET FITTING	RACCORDO INGRESSO ACQUA	RACCORD ARRIVÉE D'EAU
15	400071 00	FIBER WASHER	RONDELLA IN FIBRA	RONDELLE EN FIBRE
16	620111 00	WATER REGULATING VALVE	VALVOLA PRESSOSTATICA	VANNE A EAU PRESSOSTATIQUE
17	733180 00	OUTLET VALVE FITTING	RACCORDO USCITA VALVOLA PRESS.	RACCORD SORTIE VALVE PRESS.
18	733174 00	WATER DRAIN FITTING	RACCORDO SCARICO ACQUA	RACCORD ÉVACUATION EAU
19	400031 01	FIBER WASHER	RONDELLA IN FIBRA	RONDELLE EN FIBRE
20	400076 00	NUT	DADO	ECROU
21	281900 03	PLASTIC TUBE-PER METER	TUBO IN PLASTICA-PER METRO	TUYAU EN PLASTIQUE-POUR M
22	281900 03	PLASTIC TUBE-PER METER	TUBO IN PLASTICA-PER METRO	TUYAU EN PLASTIQUE-POUR M
23	650499 00	PLASTIC CLAMP	FASCETTA IN PLASTICA	COLLIER EN PLASTIQUE
24	620326 10	THERMOSTATIC EXPANSION VALVE	VALVOLA ESP. THERMOSTATICA	DETENDEUR THERMOSTATIQUE
25	650554 00	REFRIGERANT MANIFOLD	INIETTORE MULTIPOLO	COLLECTEUR REFRIGERANT
26	620317 01	HEAT EXCHANGER	SCAMBIATORE DI CALORE	EXCHANGEUR DE CHALEUR
27	620306 06 620306 08	HOT GAS VALVE BODY HOT GAS VALVE COIL	CORPO VALVOLA GAS CALDO BOBINA VALVOLA GAS CALDO	CORP VANNE GAZ CHAUD BOBINE VANNE GAZ CHAUD
28	650533 01	ACCUMULATOR	ACCUMULATORE	ACCUMULATEUR
29	784345 03 784346 03	EVAPORATOR ASSY - LARGE EVAPORATOR ASSY - MEDIUM	ASSIEME EVAPORATORE - GRANDI ASSIEME EVAPORATORE - MEDI	ENSAMBLE ÉVAPORATEUR - GR ENSAMBLE ÉVAPORATEUR - M

Зип Общепит

vsezip.ru

+7(812)987-08-81



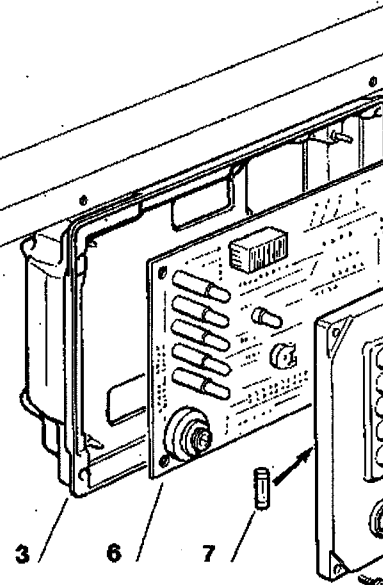
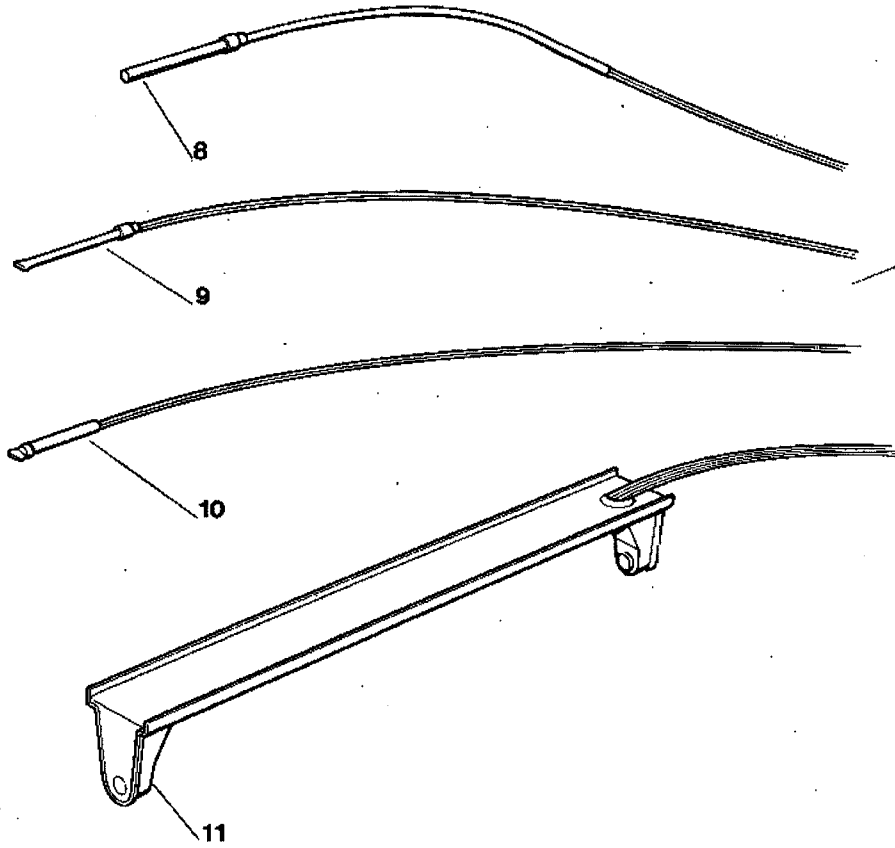
MC 1210 - WATER SYSTEM - CIRCUITO IDRAULICO - CIRCUIT HYDRAULIQUE - WA

TEM NO POS NO REP. NO REF. NO	PART NO. CODICE REFERENCE STUECK NR	DESCRIPTION	DESCRIZIONE	DESIGNATION
1	620213 00	WATER INLET VALVE	VALVOLA INGRESSO ACQUA	VANNE ARRIVÉE D'EAU
2	281900 04	PLASTIC TUBE PER METRO	TUBO IN PLASTICO PER METRO	TUYAU EN PLASTIQUE-POUR
3	460017 00	CLAMP	FASCETTA	COLLIER
4	460017 00	CLAMP	FASCETTA	COLLIER
5	650291 00	T FITTING	RACCORDO A "T"	RACCORD A "T"
6	640022 00	FLOW CONTROL	CONTROLLO DI FLUSSO	CONTRÔLE DE DEBIT
7	733123 00	FLOW CONTROL BODY	CORPO CONTROLLO DI FLUSSO	CORPS CONTROLE DE DEBIT
8	784317 03 784317 05	COPPER TUBE - RIGHT SIDE COPPER TUBE - LEFT SIDE	TUBO RAME - DX TUBO RAME - SX	TUYAU EN CUIVRE DROIT TUYAU EN CUIVRE GAUCHE
9	784317 02 784317 04	COPPER TUBE - RIGHT SIDE COPPER TUBE - LEFT SIDE	TUBO RAME - DX TUBO RAME - SX	TUYAU EN CUIVRE DROIT TUYAU EN CUIVRE GAUCHE
10	784244 00	SUMP & FREEZING CHAMBER	INVOLUCRO EVAPORATORE	ENCEINTE ÉVAPORATEUR
11	660487 00	INNER BOTTOM & CHUTE	FONDO & SCIVOLO MOBILE	PLAQUE DE FOND ET CHUTE
12	660491 00	EVAPORATOR COVER	COPERCHIO EVAPORATORE	COUVERCLE EVAPORATEUR
13	650538 00	INSULATION	ISOLAMENTO	ISOLATION
14	660419 00	PLASTIC PLUG	TAPPO IN PLASTICA	BOUCHON EN PLASTIQUE
15	670002 12	WATER PUMP ASSY	ASSIEME POMPA	ENSEMBLE POMPE A EAU
16	723132 01	METAL BRACKET	SUPPORTO IN METALLO	PLAQUE SUPPORT POMPE
17	470026 00	SCREW	VITE	VIS
18	610148 02	DRAIN TUBE	TUBO DI SCARICO	TUYAU EVACUATION
19	744012 03	INSULATION TUBE	TUBO ISOLANTE	ISOLATION TUYAU
20	743113 02	PLASTIC TUBE	TUBO IN PLASTICA	TUYAU EN PLASTIQUE
21	660483 00	JET BEARING FLANGE	FLANGIA RACCORDO CENTRALE	BRIDE AXE PALIER DE RAMPE
22	420014 05	SCREW	VITE	VIS
23	660475 00	JET BEARING	RACCORDO CENTRALE	AXE PALIER DE RAMPE
24	440013 08	THRUST WASHER	RONDELLA DI RASAMENTO	RONDELLE
25	793127 00	SPRAY BAR	BARRA SPRUZZANTE	RAMPE PULVERISATION EAU
26	660488 00	REMOVABLE INNER BOTTOM	SCIVOLO INTERNO AMOVIBILE	PLAQUE CHUTE DEMONTABLE
27	660477 01	ICE CHUTE	CONDOTTO SCARICO CUBETTI	GOULOTTE A GLACONS
28	660477 02	ICE CHUTE COVER	COPERCHIO COND. SCAR. CUBETTI	CAPOT DE GOULOTTE
29	610128 12	WATER DRAIN TUBE	TUBO SCARICO ACQUA	TUYAU ÉVACUATION
30	744012 07	INSULATION TUBE	TUBO ISOLANTE	ISOLATION TUYAU
31	660224 00	WATER DRAIN FITTING	RACCORDO SCARICO ACQUA	RACCORD ÉVACUATION EAU
32	743113 04	TUBE	TUBO	TUYAU
33	610170 00	OVERFLOW DRAIN TUBE	TUBO SCARICO TROPPO PIENO	TUYAU ÉVACUATION EAU
34	743034 07	VENTED STAND PIPE	TUBO DI VENTILAZIONE	TUYAU DE VENTILATION
35	460004 00	CLAMP	FASCETTA	COLLIER
36	660535 00	PLASTIC RING NUT	GHIERA IN PLASTICA	COLLIER DE SERRAGE EN PLAS

Зип-Общепит

vsezip.ru

+7(812)987-08-81



MC 1210 P.C. BOARD AND SENSOR ASSY - SCHEDA ELETTRONICA E SENSORE
ENS. CARTE ELECTRIQUE ET DETECTEURS - ELEKTRONISCHE KARTE UND TEMPERATURSENSOREN

TEM NO POS NO REP. NO REF. NO	PART NO CODICE REFERENCE STUECK NR	DESCRIPTION	DESCRIZIONE	DESIGNATION
1	725025 00	METAL BRACKET	SUPPORTO IN METALLO	SUPPORT METALLIQUE
2	470088 00	SCREW	VITE	VIS
3	660548 00	CONTROL BOX	SCATOLA ELETTRICA	BOITE ELECTRIQUE
4	470000 07	SCREW	VITE	VIS
5	680547 00	CONTROL BOX COVER	COPERCHIO SCATOLA ELETTRICA	COUVERCLE BOITE DE COM
6	620403 12	P.C. BOARD ASSY	ASSIEME SCHEDA ELETTRONICA	ENSAMBLE CARTE ELECTRO
7	630015 09	FUSE	FUSIBILE	FUSIBLE
8	620404 10	EVAPORATOR TEMP. SENSOR	SENSORE TEMP. EVAPORATORE	CAPTEUR TEMP. EVAPORAT
9	620404 01	CONDENSER TEMP. SENSOR	SENSORE TEMP. CONDENSATORE	CAPTEUR TEMP. CONDENSE
10	620404 02	AMBIENT TEMP. SENSOR	SENSORE TEMP. AMBIENTE	CAPTEUR TEMP. AMBIANCE
11	783167 01	ICE LEVEL CONTROL ASSY	ASS. CONTR. LIVELLO GHIACCIO	ENS. DETECTEUR NIVEAU G
12	630124 05 630124 14	CONTACTOR 380/50/3 CONTACTOR 220/50-60/3	TELERUTTORE 380/50/3 TELERUTTORE 220/50-60/3	CONTACTEUR 380/50/3 CONTACTEUR 220/50-60/3

Зип Общепит

vsezip.ru

+7(812)987-08-81

**COMPRESSOR AND ELECTRIC COMPONENTS CHART - TABELLA COMPRESSORI E COMPONENTI
TABLEAU COMPRESSEUR ET COMPOSANTS ELECTRIQUES- KOMPRESSOR UND ELEKTRISCHE**

MODEL MODELLO MODELE MODELL	VOLTS TENSIONE TENSION SPANNUNG	COMPRESSOR MODEL MODELLO COMPRESSORE TYPE DU COMPRESSEUR KOMPRESSOR TYP	COMPRESSOR COMPRESSORE COMPRESSEUR KOMPRESSOR	CONTACTOR TELERUTTORE CONTACTEUR SCHALTSCHÜTZ	WATER PUMP POMPA POMPE A EAU WASSER PUMPE	FAN MOTOR ONLY MOTORE VENTILATORE MOTEUR VENTILATEUR LUFTER MOTOR	WATER INLET VALV. INGR. A V.E.M. ARRIVÉ WASSEREINLAUF
MC 1210	220/60/3	U.H. TAG 4561 T	670096 03	620124 14	670002 14	620273 00	620213
MC 1210	220/50/3	U.H. TAG 4561 T	670096 03	620124 14	670002 12	620273 00	620213
MC 1210	380/50/3	U.H. TAG 4561 T	670096 02	620124 05	670002 12	620273 00	620213