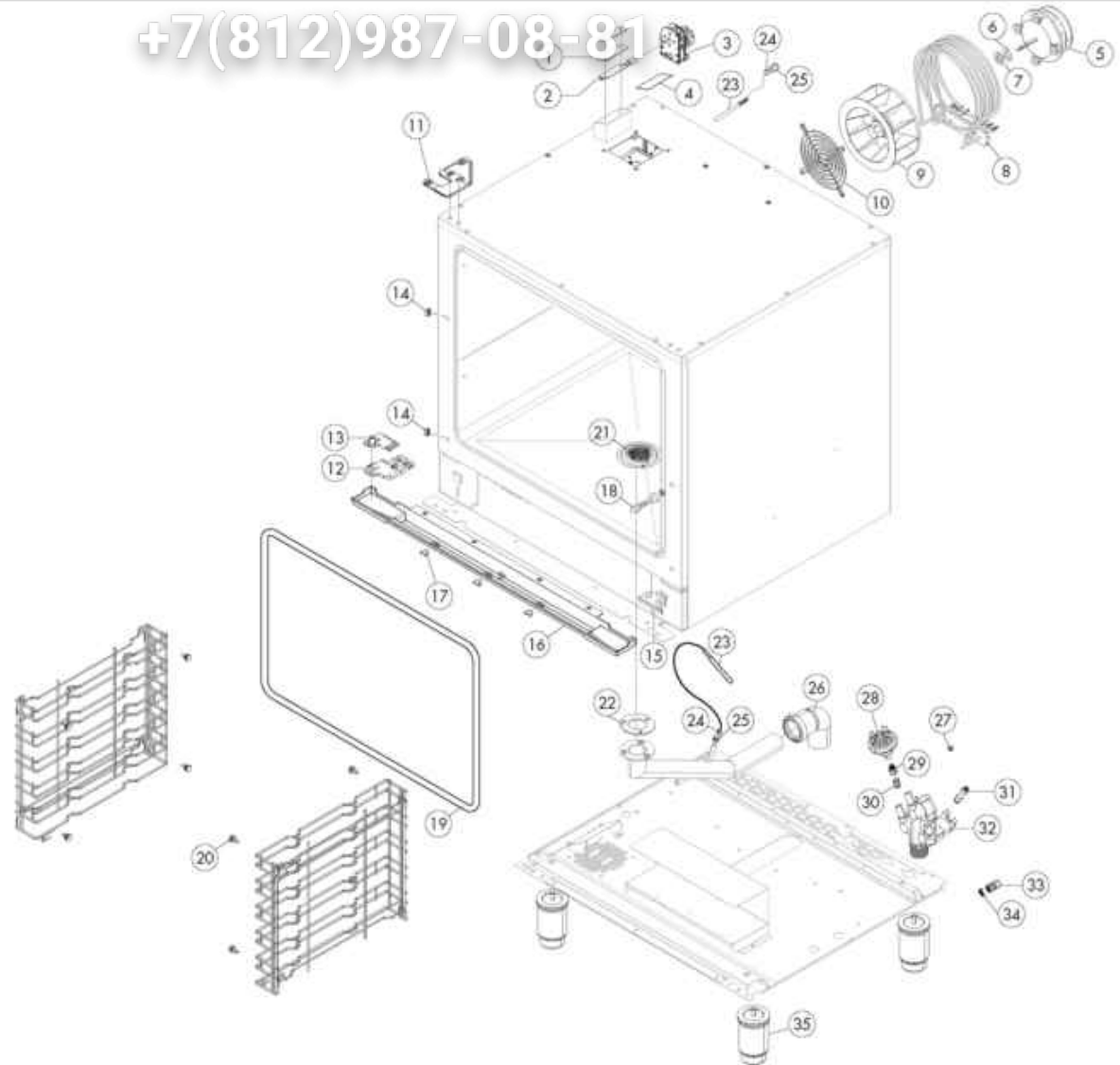


ATTENZIONE: PER TENSIONI SPECIALI, SPECIFICARE SEMPRE IL MODELLO DI FORNO ELETTRICO E IL NUMERO DI SERIE.
ATTENTION: FOR SPECIAL VOLTAGES, PLEASE ALWAYS SPECIFY THE OVEN MODEL AND THE SERIAL NUMBER.

ATTENTION: POUR TENSIONS SPÉCIALES, MERCI DE SPÉCIFIER TOUJOURS LE MODÈLE DU FOUR ET LE NUMÉRO DE SÉRIE.
ACHTUNG: BEI SONDERSPANNUNGEN, BITTE IMMER OFEN-MODELL UND SERIENNUMMER GEBEN.

ed.1215

+7(812)987-08-81



Pos.	Code	Codice precedente	Description	Notes	From:	To:
0001	LAR70050170		GASKET [C] VENTING PIPE 80x40			
0002	LAR58007330		ROD [C] VENTING ICON SERIES 2015			
0003	LAR65090270		FROGRAMMER [C] 6JS V230/50-60HZ			
0004	LAR70050200		GUARNIZIONE ESTERNA TUBO SFIATO 80X40			
0005	LAR65041040		MOTOR [C] 1F.125Win-75Wout 2 VEL			
0006	LAR58005500		SEAT [C]			
0007	LA70020020	LAR70020020	GASKET [C] 8X22			
0009	LA75400410	LAR75400410	FAN [C] D. 180X77 50HZ			
0011	LA58007250	LAR58007250	UPPER HINGE [C] PLAN ICON SERIE			
0012	LA58007260	LAR58007260	LOWER HINGE [C] PLAN ICON SERIE			
0013	LA58007280	LAR58007280	PIN [C] RIGHT HINGE ICON 2015			
0013	LA58007290	LAR58007290	PIN [C] LEFT HINGE ICON 2015			
0014	LA69130570	LAR69130570	CAP [C] D. 8,5-14,5			
0015	LAR58007270		TAMPONAM.CERNIERA INF.SERIE ICON 2015			
0016	LAR69180260		OVEN DRAIN CONTAINER [C]			
0017	LA69180310	LAR69180310	CAP [C]			
0018	LA69010260	LAR69010260	PRONG [C]			
0018	LAR69010270		PRONG [C]			
0019	LA70044440	LAR70044440	GASKET [C] DOOR REP 084/104			
0021	LA10201700	LAR10201700	FILTER [C] D.76/44.5 M/106-11			
0022	LA70030170	LAR70010140	GASKET [C] 76X40,3X3			
0023	LAR65320220		PROBE [C] K 6X80 1,5ML			
0024	LA62070023	LAR62070023	BICONE [C] D. 6			
0025	LA62060223	LAR62060223	NUT [C] D. 6			
0026	LA62280028	LAR62280028	CURVE [C] D.40 D.40X			
0027	LA65110500	LAR65110500	REGULATOR [C]			
0028	LAR63070050		PRESSURE SWITCH [C] 1/8 0,5-0,35 BAR			
0029	LA62030113	LAR62030113	COUPLING [C] FF 1/8-1/4 BRASS			
0030	LAR62090508		CONNECTOR [C]			
0032	LAR65110240		SOLENOID VALVE [C] 220V 50HZ 2P+1D 3 WAYS			
0033	LAR65240200		FAIRLEAD [C] V-TEC 21			

Pos.	Code	Codice precedente	Descrizione	Notes	From:	To:
0034	LAR65240210		CONTRODADO 116/21 N			
0035	LA69070170	LAR69070170	FOOT [C] 13/4 A304			

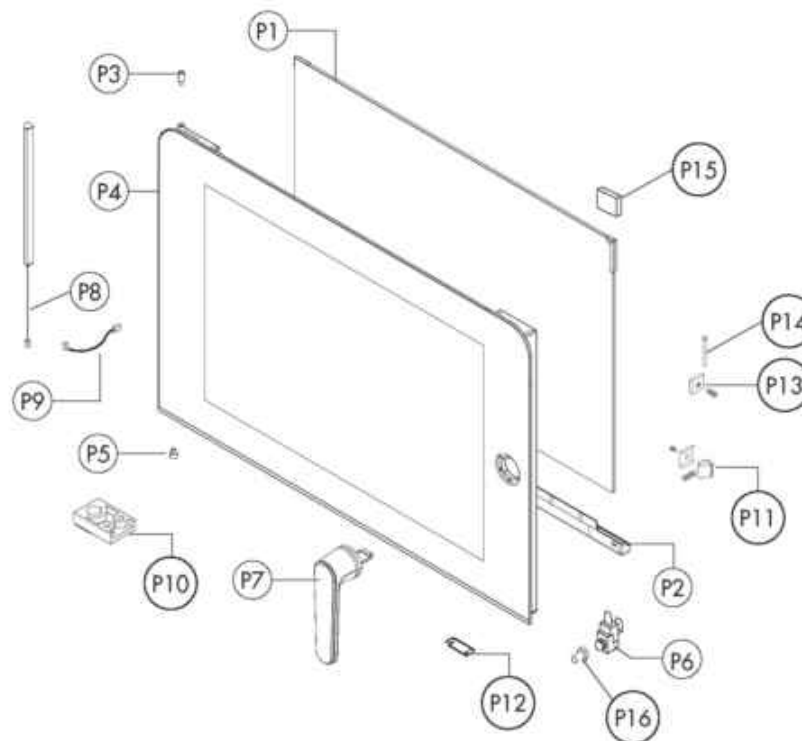
vsezip.ru
+7(812)987-08-81

ATTENZIONE: PER TENSIONI SPECIALI, SPECIFICARE SEMPRE IL MODELLO DI FORNO ELETTRICO E IL NUMERO DI SERIE.
ATTENTION: FOR SPECIAL VOLTAGES, PLEASE ALWAYS SPECIFY THE OVEN MODEL AND THE SERIAL NUMBER.

ATTENTION: POUR TENSIONS SPÉCIALES, MERCI DE SPÉCIFIER TOUJOURS LE MODÈLE DU FOUR ET LE NUMÉRO DE SÉRIE.
ACHTUNG: BEI SONDERSPANNUNGEN, BITTE IMMER OFEN-MODELL UND SERIENNUMMER GEBEN.

ed.1215

+7(812)987-08-81



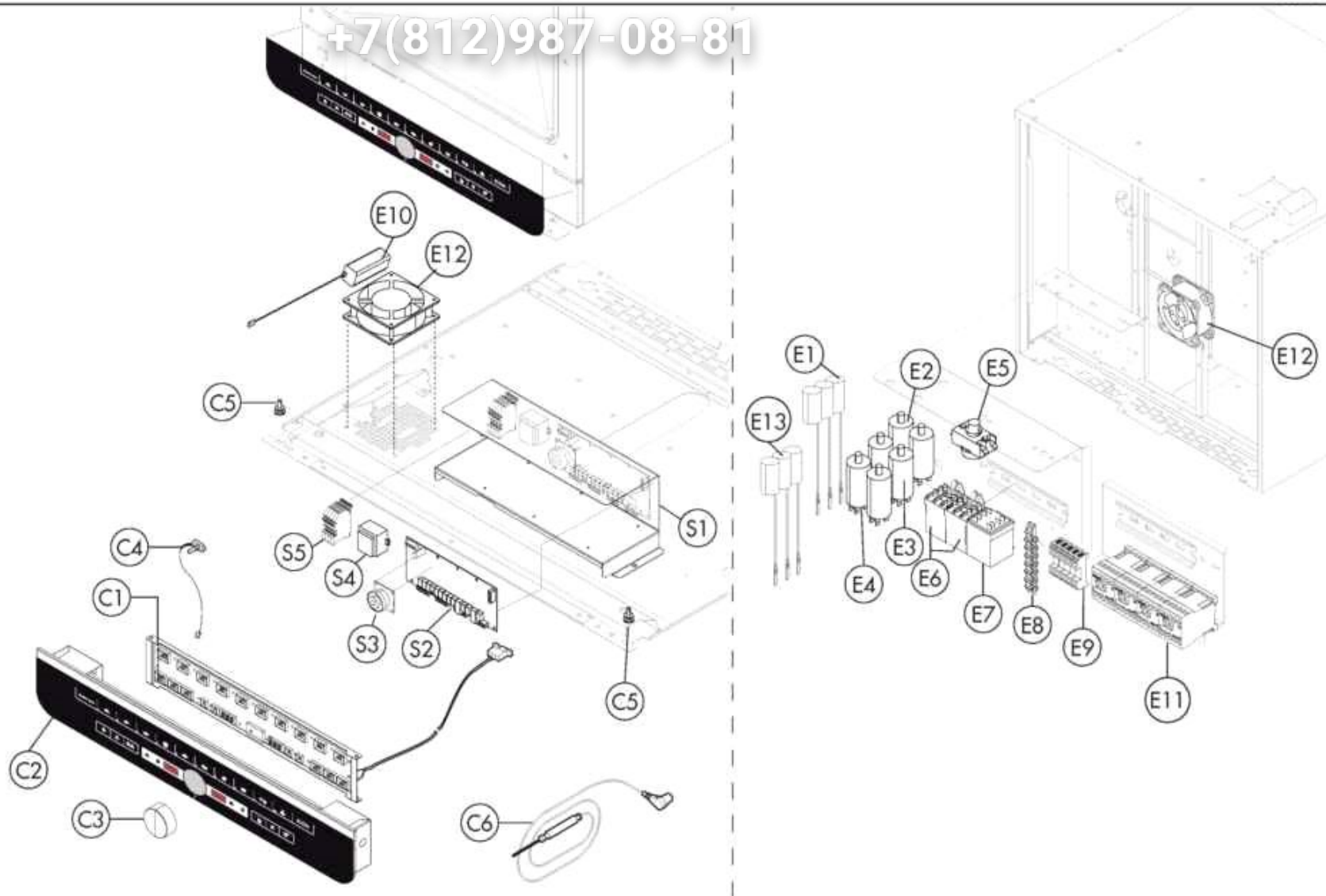
Pos.	Code	Codice precedente	Description	Notes	From:	To:
OOP1	LAR71201950		GLASS PLATE [C] REP_084 700X855X6			
OOP2	LA69180270	LAR69180270	RIGHT DOOR CONTAINER [C]			
OOP2	LA69180280	LAR69180280	LEFT DOOR CONTAINER [C]			
OOP3	LAR58007310		FERMO SUPERIORE PORTA SERIE ICON 2015 FERMO SUPERIORE PORTA SERIE ICON 2015			
OOP4	LAR17107770		DOOR [C] 101			
OOP4	LAR17108350		DOOR [C] 101			
OOP4	LAR17108360		DOOR [C] ICON 101			
OOP4	LAR17108490		PORTA CONTRARIA COMPLETA LAINOX ICON 101			
OOP4	LAR17108520		DOOR [C] OPPOSITE 101			
OOP4	LAR17108550		PORTA CONTRARIA COMPLETA NEUTRA ICON 101			
OOP4	LAR17108700		PORTA COMPLETA ALPHATEC LN ICON 101			
OOP4	LAR17108730		PORTA CONTR.COMPL.ALPHATEC LN ICON 101 PORTA CONTR.COMPL.ALPHATEC LN ICON 101			
OOP5	LA58007320	LAR58007320	DOOR LOWER CATCH [C] ICON 2015			
OOP6	LAR65260540		MICROSWITCH [C]			
OOP7	LA69010900	LAR69010900	HANDLE [C]			
OOP7	LA69010930	LAR69010930	HANDLE [C]			
OOP8	LA65270580	LAR65270580	LED BULB [C] 45Å° L=710MM			
OOP9	LA66605970	LAR66605970	CABLE [C] EXTENSION L100			
OP10	LA58007300	LAR58007300	SUPPORT [C]			
OP11	LA58001860	LAR58001860	PIN [C]			
OP12	LA61620132	LAR61620132	SPRING [C]			
OP13	LA58001760	LAR58001760	HINGE [C] GLASS SR2000			
OP14	LA58001770	LAR58001770	PIN [C]			
OP15	LAR70050180		SPACER [C] GLASS 15x8 M4x12 A2			

ATTENZIONE: PER TENSIONI SPECIALI, SPECIFICARE SEMPRE IL MODELLO DI FORNO ELETTRICO E IL NUMERO DI SERIE.
ATTENTION: FOR SPECIAL VOLTAGES, PLEASE ALWAYS SPECIFY THE OVEN MODEL AND THE SERIAL NUMBER.

ATTENTION: POUR TENSIONS SPÉCIALES, MERCI DE SPÉCIFIER TOUJOURS LE MODÈLE DU FOUR ET LE NUMÉRO DE SÉRIE.
ACHTUNG: BEI SONDRSPANNUNGEN, BITTE IMMER OFEN-MODELL UND SERIENNUMMER GEBEN.

ed.1215

+7(812)987-08-81



TAV. C

ICET101

Pos.	Code	Codice precedente	Description	Notes	From:	To:
00C1	LA65302660	LAR65302660	KEYBOARD [C] TOUCH ICON 2015 + CABLE			
00C2	LAR17410690T1		FRONT PANEL [C] T051-071 -101			
00C2	LAR17410690T1A		FRONT PANEL [C] T051-071 -101			
00C3	LA69030341	LAR69030340	KNOB [C] ICON 2015			
00C4	LA65302720	LAR65302720	ENCODER [C] ICON WITH CABLE			
00C5	LA69010990	LAR69010990	KNOB [C] M5x10			
00C6	LA65321430	LAR65321430	PROBE [C] K4P ISC04 (6PIN,PC PLAS.)			
00E1	LA65280260	LAR65280260	FILTER [C]			
00E2	LA65190080	LAR65190080	CONDENSER [C] 5ÅµF V425-B			
00E4	LA65190240		CONDENSER [C] 10ÅµF C/OUT 4 FASTON 6,35			
00E5	LA65070451		TERMOST.SICUR.UNIPOLARE 335Å°C POSITIVO			
00E6	LA65170180	LAR65170180	RELAY [C]			
00E7	LA65170170	LAR65170170	RELAY [C]			
00E8	LA65220360	LAR65220360	TERMINAL BOARD [C] 7 PINS			
00S1	LAR17108090		BOARD [C] ICON TOUCH			
00S2	LA65302670	LAR65302670	BOARD [C] TOUCH ICON 2015			
00S3	LA65302680	LAR65302680	BOARD [C] BUZZER ICON 2015			
00S4	LA65180420	LAR65180420	TRANSFORMER [C] 20VA			
00S5	LA65210020	LAR65210020	FUSE CARRIER [C] 5X20			
0E10	LA65187220	LAR65187220	BALLAST [C] MEAN WELL APV-12-24			
0E11	LA65140700	LAR65140700	SWITCH [C] M9-01 4KW-20A			
0E12	LA65060050	LAR65060050	FAN [R] D. 120			

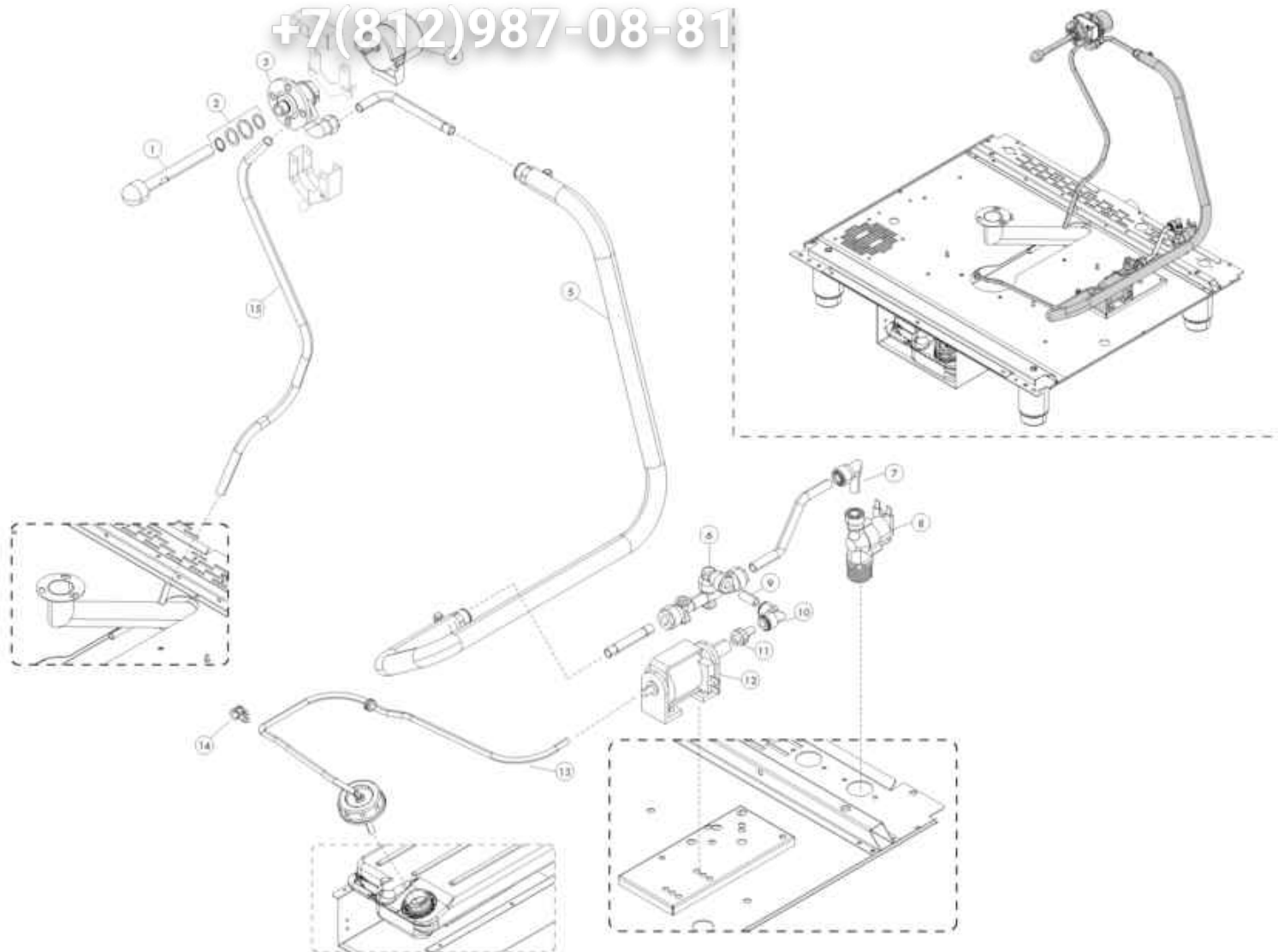
ysezip.ru

ATTENZIONE: PER TENSIONI SPECIALI, SPECIFICARE SEMPRE IL MODELLO DI FORNO ELETTRICO E IL NUMERO DI SERIE.
ATTENTION: FOR SPECIAL VOLTAGES, PLEASE ALWAYS SPECIFY THE OVEN MODEL AND THE SERIAL NUMBER.

ATTENTION: POUR TENSIONS SPÉCIALES, MERCI DE SPÉCIFIER TOUJOURS LE MODÈLE DU FOUR ET LE NUMÉRO DE SÉRIE.
ACHTUNG: BEI SONDERSPANNUNGEN, BITTE IMMER OFEN-MODELL UND SERIENNUMMER GEBEN.

ed.1215

+7(812)987-08-81



TAV. D

ICET101

Pos.	Code	Codice precedente	Description	Notes	From:	To:
0001	LAR58007050		WASHING HEAD [C] L=110 (M_051)			
0002	LAR70045120		GASKET [C]			
0003	LAR58007020		FLANGE [C]			
0004	LA65090260	LAR65090260	GEARMOTOR [C]			
0005	LAR14171770		PIPE [C]			
0006	LA62090888	LAR62090888	MANIFOLD [C] 3WAYS-2D.10+1D.8+3 NO RETURN CONTROL			
0007	LA62090528	LAR62090528	CONNECTOR [C] 10X10			
0008	LAR65110320		SOLENOID VALVE [C] 230V 50/60HZ 1 WAY OUT J.G. D.10			
0009	LA80150020	LAR80150020	PIPE [C]			
0010	LA62090498	LAR62090498	CONNECTOR [C] D.8			
0011	LA62090608	LAR62090608	END SIDE PIPE [C] 8x1/8			
0012	LAR65110600		PUMP [C]			
0013	LAR14171790		PIPE [C]			
0014	LAR61630131		FASC.STRINGITUBO ZINC+GOMMA SERIE PK D.8			
0015	LA80120060	LAR80120060	PIPE [C]			

vsezip.ru
+7(812)987-08-81