

Зип Общепит

vsezip.ru

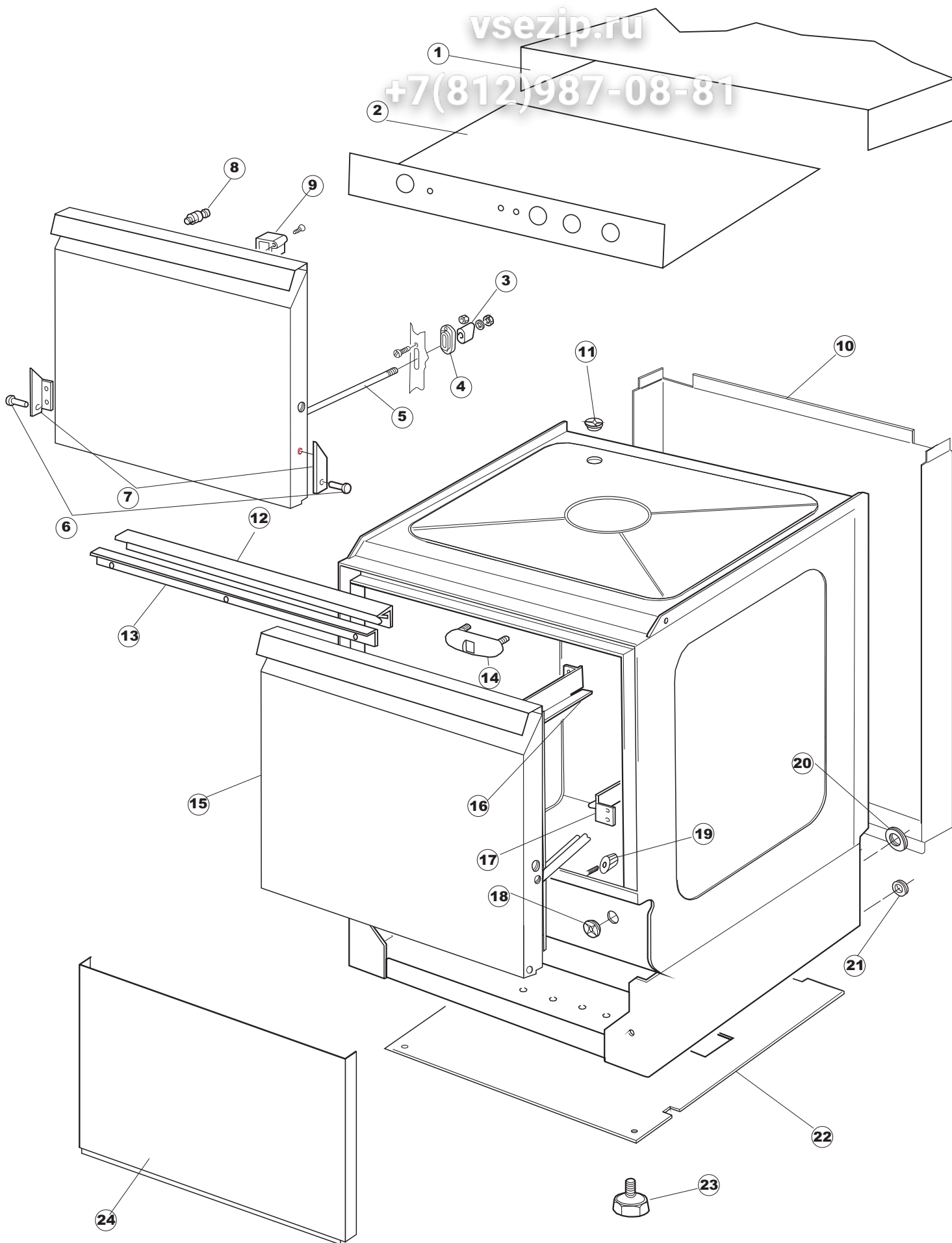
DEXION
+7(812)987-08-81

**SPARE PARTS CATALOGUE
ERSATZTEILKATALOG
CATALOGUE PIECES DETACHEES
CATALOGO PARTI RICAMBIO
CATALOGO DE PIEZAS DE RECAMBIO
CATALOGO PEÇAS DE REPOSIÇÃO**

D500LS

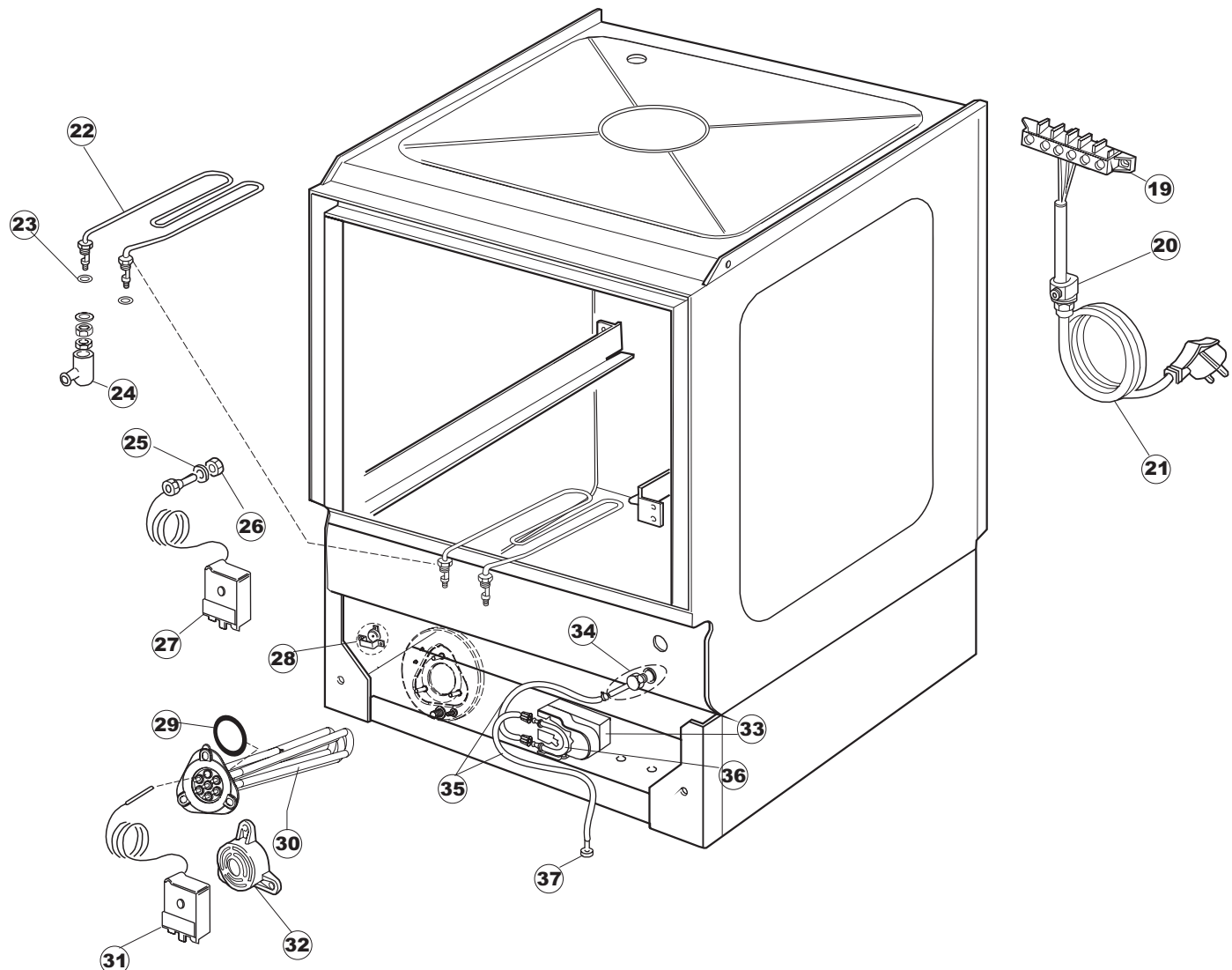
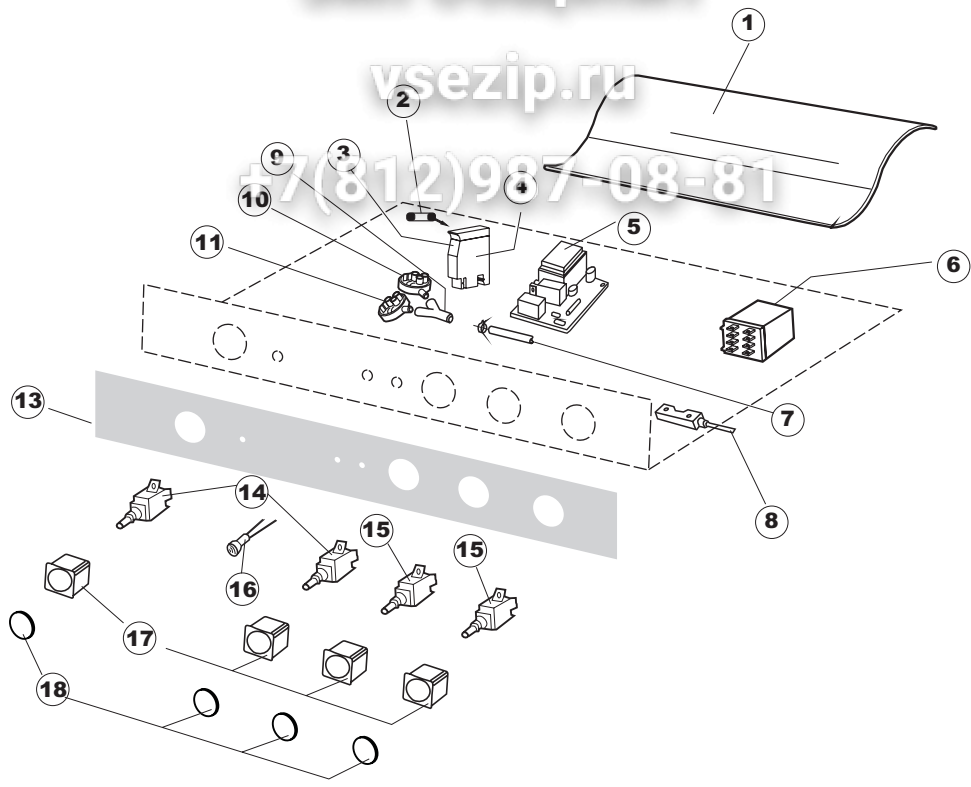
D501LS

13-12-2010



1	004066	CAPPELLO - 50/503 COVER - 50/503 DECKEL - 50/503 COUVERTURE - 50/503 CAPERUZA - 50/503	
2	026070	PANNELLO COMANDO PANEL DE MANDOS LS500-501 MBM PLEG.	
3	417041	DADO BATTUTA PORTA NUT, DOOR BUFFER SCHRAUBENMUTTER, TÜRANSCHLAG ECROU FEUILLURE PORTE TUERCA TOPE PUERTA	
4	307003	BATTUTA DADO ASTA NUT-LEDGE, FOR ROD ANSCHLAG, SCHRAUBENMUTTER FÜR STAB FEUILLURE ECROU BARRE TOPE TUERCA VARA	
5	304021	ASTA GUIDA PORTA 50/500/453/463/503 ROD, DOOR GUIDE 50/500/453/463/503 STANGE, TÜRSCHIENE 50/500/453/463/503 BARRE GUIDE PORTE 50/500/453/463/503 VARA GUIA PUERTA 50/500/453/463/503	
6	325036	PERNO CERNIERA PORTA 50 PIN, DOOR HINGE 50 ZAPFEN, TÜRSCHARNIER 50 PIVOT CHARNIERE PORTE 50 PERNO BISAGRA PUERTA 50	
7	311019	CERNIERA PORTA 45/46/50.. HINGE, DOOR 45/46/50.. SCHARNIER, TÜR 45/46/50.. CHARNIERE PORTE 45/46/50.. BISAGRA PUERTA 45/46/50. .	
8	325066	PIOLO SERRATURA BETA 246/250 LOCK PIN BETA 246/250 PFLOCK, SCHLOSS BETA 246/250 CHEVILLE SERRURE BETA 246/250 BARROTE CERRADURA BETA 246/250	
9	999108	GRUPPO CALAMITA PORTA 453/463/500/503 MAGNET, DOOR 453/463/500/503 MAGNET, TÜR 453/463/500/503 ENS.AIMANT PORTE 453/463/500/503 GRUPO IMAN PUERTA 453/463/500/503	
10	022095	PANNELLO POSTER.CPL 50/503 PANEL, REAR CPL 50/503 PLATTE, HINTEN CPL 50/503 PANNEAU ARRIERE CPL 50/503 PANEL TRASERO CPL 50/503	
11	480058	TAPPO GOMMA D.17 CAP, RUBBER D.17 GUMMISTÖPSEL D.17 BOUCHON CAOUTCHOUC D.17 TAPON GOMA D. 17	
12	437081	GUARNIZIONE PORTA - 50/503 GASKET, DOOR - 50/503 DICHTUNG, TÜR - 50/503 JOINT PORTE - 50/503 JUNTA PUERTA - 50/503	
13	033301	SQUADRA FISSA GUARN.PORTA 50/503 BRACKET, FIXED FOR DOOR GASKET 50/503 WINKEL, FEST FÜR TÜRDICHTUNG 50/503 EQUERRE FIXE JOINT PORTE 50/503 ESCUADRA FIJA JUNTA PUERTA 50/503	
14	994012	GRUPPO SERRATURA EB/F 22/44 LOCK EB/F 22/44 SCHLOSS EB/F 22/44 ENS.SERRURE EB/F 22/44 GRUPO CERRADURA EB/F 22/44	
15	029590	PORTA DOOR TUER PORTE PUERTA COMPLETA STEEL 51 ALTA	

16	015064	GUIDA CESTO SX. RACK SLIDE SX. KORBBAHN SX. GUIDE PANIER SX. GUIA CESTA (IZQDA.)503-50 ALTA	
17	015063	GUIDA CESTO DX. RACK SLIDE DX. KORBBAHN DX. GUIDE PANIER DX. GUIA CESTA (DCHA.)503-50 ALTA	
18	480057	TAPPO GOMMA D.14 CAP, RUBBER D.14 GUMMISTÖPSEL D.14 BOUCHON CAOUTCHOUC D.14 TAPON GOMA D. 14	
19	408006	BORCHIA X FILTRO VASCA GRIGIA STUD. FOR TANK FILTER - GREY BESCHLAG, FÜR TANKFILTER - GRAU BOSSE POUR FILTRE CUVE GRISE BOLLON X FILTRO CUBETA GRIS	
20	459004	PASSATUBO GOMMA DI.34 PIPEHOLDER, RUBBER DI.34 ROHRDURCHGANG, GUMMI DI.34 SUPPORT-TUYAU CAOUTCHOUC DI.34 PASA-TUBO GOMA DE. 34	
21	459006	PASSACAVO Di9/De16 22 FAIRLEAD, Di9/De16 22 KABELDURCHGANG, Di9/De16 22 PASSE-CABLE Di9/De16 22 PASA-CABLE Di9/De16 22	
22	030080	PROTEZIONE INF.ZOCCOLO 50/503 PROTECTION, LOW. SOCLE 50/503 SCHUTZ, UNTEN SOCKEL 50/503 PROTECTION INF.SOCLE 50/503 PROTECCION INF. BASE 50/503	
23	461019	PIEDINO REGOLABILE D30 M8 FOOT, ADJUST. D30 M8 VERSTELLFUSS D30 M8 PIED REGLABLE D30 M8 PATA REGULABLE D30 M8	
24	012326	PANNELLO ANTERIORE FRONT PANEL FRONTPANEEL PANNEAU AVANT PANEL FRONTAL E50 ALTA	



1	214108	PROTEZIONE TRASPARENTE PER IMPIANTO ELETTRICO PER TRANSPARENT PROTECTION FOR ELECTRIC INSTALLATION F DURCHSICHTIGER SCHUETZ FUER ELEKTRISCHE ANLAGE DE PROTECTION TRANSPARENTE POUR INSTALLA- TION ELECTR PROTECC.EL.TELA TRANSP.485X300XSP0.13	
2	228010	FUSIBILE 5X20 4A FAST FUSE SICHERUNG FUSIBLE FUSIBLE 5X20 T4A RETARDADO 250V	
3	210010	PORTAFUSIBILE UL FUSE-HODER SICHERUNGSHALTER PORTE-FUSIBLE PORTAFUSIBILE UL	
4	210011	PIASTRINA TERMINALE SFR/PT CABUR PLATE PLAETTCHEN PLAQUETTE PLACA TERMINAL SFR/PT CABUR	
5	215029	SCHEDA IGEA CONTROLLO ELT.LA50 IBRIDA MAIN BOARD KARTE CARTE ELECTRONIQUE TARJETA IGEA CONTROL ELT.LA50 IBRIDA	
6	229039	RELÉ 62.82.8.230.0300 RELAY 62.82.8.230.0300 RELAIS 62.82.8.230.0300 RELAIS 62.82.8.230.0300 RELÉ 62.82.8.230.0300	
7	143013	TUBO PVC VERDE 4X7 PIPE, PVC GREEN 4X7 SCHLAUCH PVC GRUEN 4X7 TUYAU PVC VERT 4X7 TUBO PVC VERDE 4X7	
9	035031	RACCORDO A "Y" PRESSOSTATO 760 UNION, Y-TYPE, PRESSURE SWITCH 760 Y-VERBINDUNGSST., DRUCKSCHALTER 760 RACCORD A "Y" PRESSOSTAT 760 EMPALME "Y" PRESOSTATO 760	
10	224010	PRESSOSTATO SIC.POMPA SCARICO 110/75 PRESSURE SWITCH, DRAIN PUMP SAFETY 110/75 DRUCKSCHALTER, SICHERH. ABLASSPUMPE 110/75 PRESSOSTAT SURETE POMPE VIDANGE 110/75 PRESOSTATO SEG. BOMBA DESCARGA 110/75	Pompa scarico
11	224003	PRESSOSTATO - 55/35 PRESSURE SWITCH - 55/35 DRUCKSCHALTER - 55/35 PRESSOSTAT - 55/35 PRESOSTATO - 55/35	
13	026245	POLIESTERE POLYC. CONTROL PANEL MASKE POLYESTERE MEMBRANE TABL.CDE POLYESTER POLIESTER	
14	208010	DEVIATORE DOPPIO - 35/40/50 SWITCH, DOUBLE - 35/40/50 ABLENKER, DOPPELT - 35/40/50 COMMUTATEUR DOUBLE - 35/40/50 DESVIADOR DOBLE - 35/40/50	
15	226071	PULSANTE DOPPIO CONTATTO 35/40/50 PB W/DOUBLE CONTACT 35/40/50 DRUCKT. MIT DOPPELKONTAKT 35/40/50 BP DUBLE CONTACT 35/40/50 PULSADOR DOBLE CONTACTO 35/40/50	
16	216025	LAMPADA SPIA SERIE 24.5.0.00.04.78 WARNING LAMP, SERIES 24.5.0.00.04.78 KONTROLL-LAMPE, REIHE 24.5.0.00.04.78 LAMPE-TEMOIN SERIE 24.5.0.00.04.78 LAMPARA TESTIGO SERIE 24. 5. 0. 00. 04.	
17	226124	CORPO PULSANTE NERO SERIE D25 SWITCH HOLDER SCHALTERFUEHRUNG POUSSOIR COMPLET CUERPO PULS. NEGRO SERIE D25	

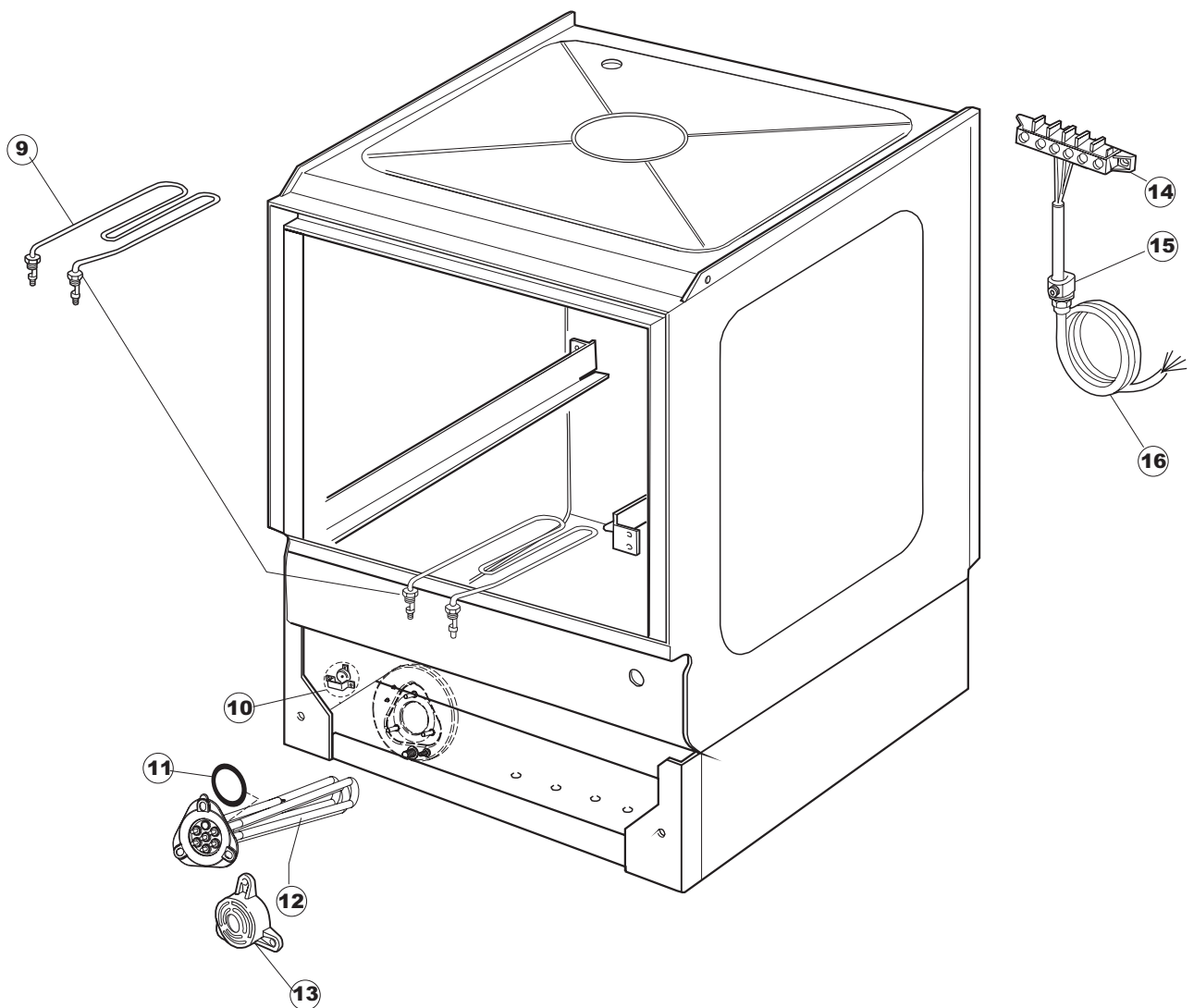
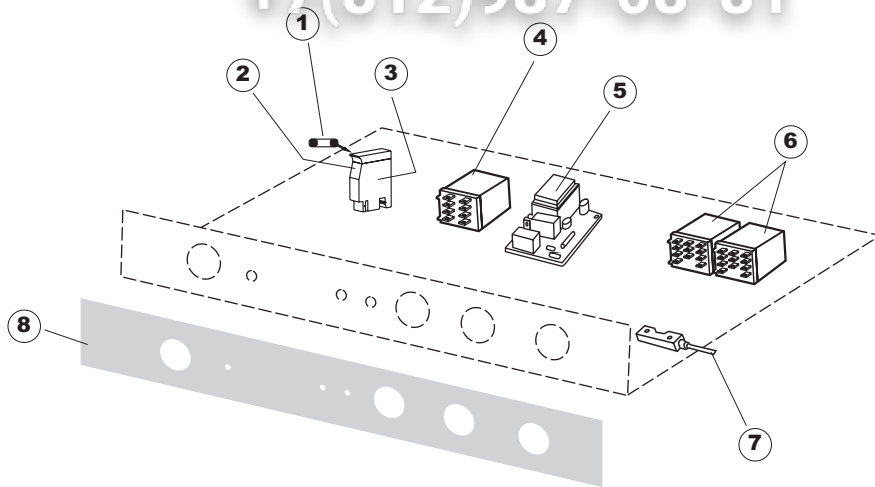
18	227060	TASTO SATINATO ARGENTO SERIE D25 KEY, SILVER GLAZED WITH PIL.LIGHT SER.D25 DRUCKKNOPF TOUCHE SATINE ARGENT SERIE D25 TECLA SATINADA PLATEADA SERIE D25	
19	220011	* MORSETTIERA 5.POLI + TERRA FV.122 * TERMINAL BOARD, 5-POLES + EARTH FV.122 * KLEMMENBRETT, 5-POLIG + ERDUNG FV.122 * PLAQUE A BORNE 5 POLES + TERRE FV.122 * BORNERO 5. POLOS + TIERRA FV. 122	
20	459005	FISSACAVO STEAB art.5024 CABLE CLAMPS, STEAB art.5024 KABELKLIPPS, STEAB Art.5024 FIXE-CABLE STEAB art.5024 SUJETA-CABLE STEAB art. 5024	
21	299040	SPINA SCHUKO 90° CABL. l=2.5mt PLUG, SCHUKO 90° CABL. l=2.5mt ANSCHLUSSKABEL SCHUKO 230V GOUPILLE SCHUKO 90° CABL. l=2.5mt CLAVIJA SCHUKO 90° CABL. l=2. 5mt	
22	230086	RESIST.V.2700W/220V-3200W/240V 22/44/50 RESISTANCE, TANK 2700W/220V-3200W/240V 22/44/50 WIDERSTAND, TANK 2700W/220V-3200W/240V 22/44/50 RESIST.CUVE 2700W/220V-3200W/240V 22/44/50 RESIST. V. 2700W/220V-3200W/240V	
23	456015	OR 112 9.92X2.62 O-ring 112 9.92X2.62 O-Ring 112 9.92X2.62 OR 112 9.92X2.62 OR 112 9. 92X2. 62	
24	463007	PIPA PROTEZIONE RESISTENZA LUG, RESISTANCE PROTECTION FITTING, WIDERSTANDSSCHUTZ TUBE PROTECTION RESIST. PIPA PROTECCION RESISTENCIA	
25	437030	GUARNIZIONE D14D22S1.5 FIBRA GASKET, D14D22S1.5 FIBRE DICHTUNG, D14D22S1.5 FASERSTOFF JOINT D14D22S1.5 FIBRE JUNTA D14D22S1. 5 FIBRA	
26	417017	DADO TERMOSTATO VASCA NUT, TANK THERMOSTAT SCHRAUBENMUTTER, TANKTHERMOSTAT ECROU THERMOSTAT CUVE TUERCA TERMOSTATO CUBETA	
27	236042	TERMOSTATO VASCA TR711 Tf-53° THERMOSTAT, TANK TR711 Tf-53° THERMOSTAT, TANK TR711 Tf-53° THERMOSTAT CUVE TR711 Tf-53° TERMOSTATO CUBETA TR711 Tf-53°	
28	236047	TERM.CONTATTO /S.95°+/-3° THERM.,CONT. /S.95°+/-3° SICHERHEITSTHERMOSTAT THERM.CONTACT /S.95°+/-3° TERM.CONTACTO /S.95°+/-3° SIC.	
29	456002	OR 48x6,2 O-ring 48x6,2 O-Ring 48x6,2 OR 48x6,2 OR 48x6,2	
30	230116	RESISTENZA BOILER 3000W/230V HEATING ELEMENT 3000W/230V HEIZUNG 3000W/230V RESISTANCE 3000W/230V RESISTENCIA CALENTADOR 3000W/230V	
31	236043	TERMOSTATO BOILER TR711 Tf-83° THERMOSTAT, BOILER TR711 Tf-83° THERMOSTAT, BOILER TR711 Tf-83° THERMOSTAT CHAUDIERE TR711 Tf-83° TERMOSTATO CALENTADOR TR711 Tf-83°	
32	69870	PROTEZIONE RESISTENZA BOILER BOILER HEATING ELEMENT PROTECTION HEIZUNGSSCHUETZ DES WARMWASSERBEREITERS PROTECTION RESISTANCE BOILER PROTECCION RESISTENCIA CALENTADOR	

33	209021	DOSAT.PERIST.DETERGENTE REC. PERISTALTIC DISPENSER (NBR-3) DOSIFIC. PERIST.DETERGENTE REC.	Optional
34	468151	RACCORDO ENTRATA SAPONE CPL NM * SALDATO UNION, EXTRA DET. CPL NM * WELDED TANKEINLAUF CPL NM* RACCORD ENTREE SAVON CPL NM * SOUDE EMPALME ENTRADA JABON CPL NM * SOLDADO	
35	143194	TUBO 4x6 CRISTAL TRASPARENTE PIPE 4x6 CRISTAL, TRANSP. SCHLAUCH 4X6 CRISTAL, DURCHS. TUYAU 4x6 CRISTAL TRANSPARENT TUBO 4x6 CRISTAL TRASPARENTE	
36	143219	TUBETTO SANTOPRENE 6X10 RACCORDI+GHIERE TUBE, SANTOPRENE 6X10 FITTINGS+METAL RINGS MEMBRANSCHLAUCH SANTOPREN TUBE SANTOPRENE 6X10 RACC.+COLL.DE SERR. TUBITO SANTOPRENE 6X10 EMPALMES+VIROLAS	
37	121075	FILTRO ASPIR.INOX(775239-001) FILTER, SUCT.INOX (775239-001) FUSSFILTER FILTRE ASPIR.INOX(775239-001) FILTRO ASPIR. INOX(775239-001)	

3 Zip-Общепит

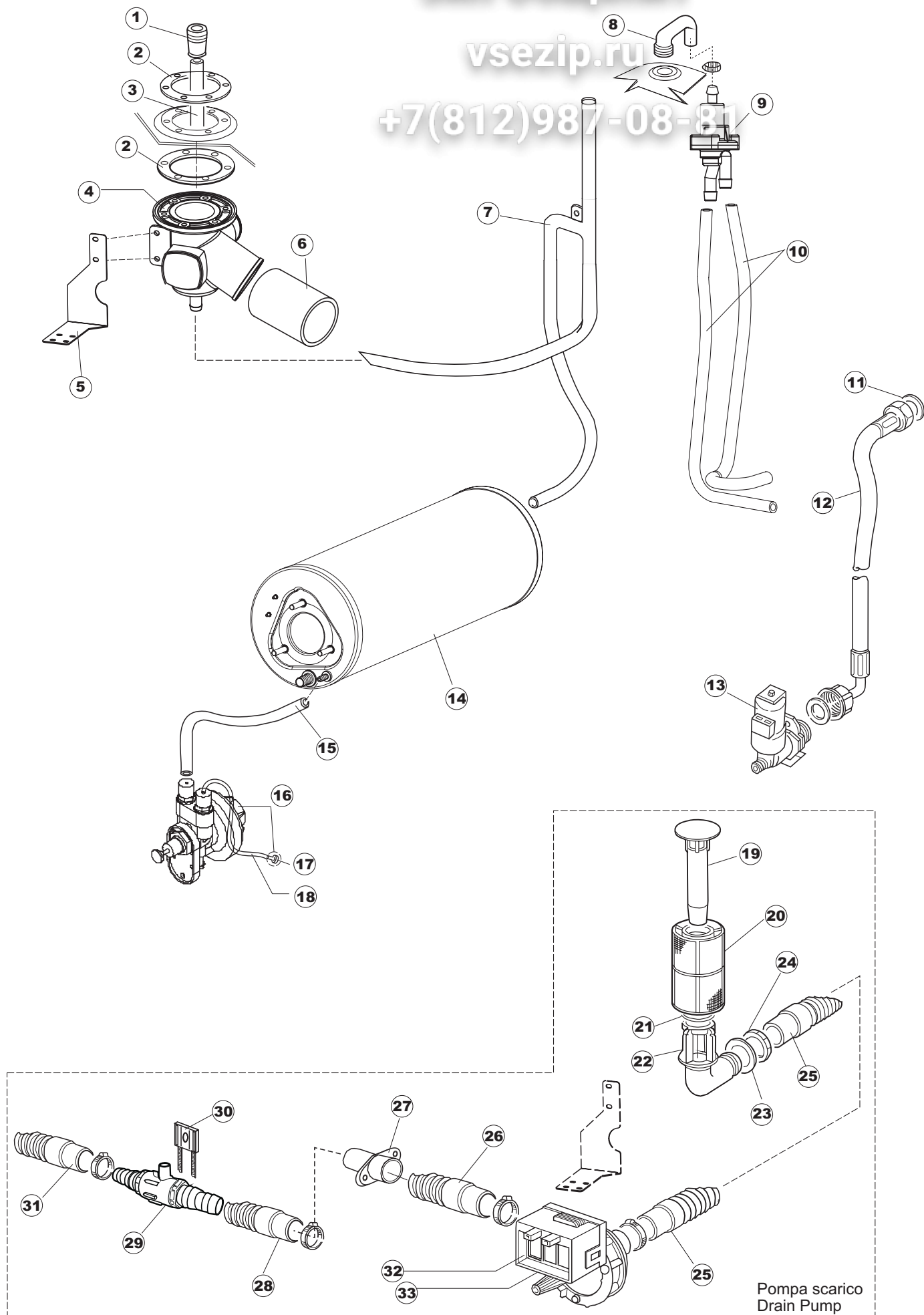
vsezip.ru

+7(812)987-08-81



1	228010	FUSIBILE 5X20 4A FAST FUSE SICHERUNG FUSIBLE FUSIBLE 5X20 T4A RETARDADO 250V	vsezip.ru
2	210010	PORTAFUSIBILE UL FUSE-HODER SICHERUNGSHALTER PORTE-FUSIBLE PORTAFUSIBILE UL	+7(812)987-08-81
3	210011	PIASTRINA TERMINALE SFR/PT CABUR PLATE PLAETTCHEN PLAQUETTE PLACA TERMINAL SFR/PT CABUR	
4	229039	RELÉ 62.82.8.230.0300 RELAY 62.82.8.230.0300 RELAIS 62.82.8.230.0300 RELAIS 62.82.8.230.0300 RELÉ 62.82.8.230.0300	
5	215029	SCHEDA IGEA CONTROLLO ELT.LA50 IBRIDA MAIN BOARD KARTE CARTE ELECTRONIQUE TARJETA IGEA CONTROL ELT.LA50 IBRIDA	
6	229040	RELÉ 62.83.8.230.0300 RELAY 62.83.8.230.0300 RELAIS 62.83.8.230.0300 RELAIS 62.83.8.230.0300 RELÉ 62.83.8.230.0300	
8	026245	POLIESTERE POLYC. CONTROL PANEL MASKE POLYESTERE MEMBRANE TABL.CDE POLYESTER POLIESTER	
9	230086	RESIST.V.2700W/220V-3200W/240V 22/44/50 RESISTANCE, TANK 2700W/220V-3200W/240V 22/44/50 WIDERSTAND, TANK 2700W/220V-3200W/240V 22/44/50 RESIST.CUVE 2700W/220V-3200W/240V 22/44/50 RESIST. V. 2700W/220V-3200W/240V	
10	236039	TERM-CONTATTO /S-110ø+/-5ø THERM.,CONT. /S-110ø+/-5ø THERM.,KONT. /S-110ø+/-5ø THERM-CONTACT /S-110ø+/-5ø TERM-CONTACTO /S-110ø+/-5ø	
11	456002	OR 48x6,2 O-ring 48x6,2 O-Ring 48x6,2 OR 48x6,2 OR 48x6,2	
12	230111	RESIST.B.4900W/230-400V RESIST.B.4900W/230-400V WIDERS.B.4900W/230-400V RESIST.CHAUD.4900W/230-400V RESIST. B. 4900W/230-400V	
13	69870	PROTEZIONE RESISTENZA BOILER BOILER HEATING ELEMENT PROTECTION HEIZUNGSSCHUETZ DES WARMWASSERBEREITERS PROTECTION RESISTANCE BOILER PROTECCION RESISTENCIA CALENTADOR	
14	220011	* MORSETTIERA 5.POLI + TERRA FV.122 * TERMINAL BOARD, 5-POLES + EARTH FV.122 * KLEMMENBRETT, 5-POLIG + ERDUNG FV.122 * PLAQUE A BORNE 5POLES + TERRE FV.122 * BORNERO 5. POLOS + TIERRA FV. 122	
15	459005	FISSACAVO STEAB art.5024 CABLE CLAMPS, STEAB art.5024 KABELKLIPPS, STEAB Art.5024 FIXE-CABLE STEAB art.5024 SUJETA-CABLE STEAB art. 5024	
16	H.374339-2	CAVO MACCHINA H07RN-F 5X2.5X3.0MT CABLE H07RN-F 5X2.5X3.0MT MASCHINE KABERL H07RN-F 5X2.5X3.0MT CABLE MACHINE H07RN-F 5X2.5X3.0MT * CABLE MAQUINA H07RN-F 5X2.5X3.0MT	

Зип Общепит
vsezip.ru
+7(812)987-08-81



1	441009	INSERTO TENUTA D10 COLL.S621- INSERT, SEAL D10 COLL.S621- EINSATZ, DICHT. D10 SAMM.S621- INSERT ETANCHEITE D10 COLL.S621- ELEMENTO ESTANQ. D10 COLECT. S621-	
2	437014	GUARNIZIONE COND.INFER.S850 GASKET, LOWER MANIFOLD S850 DICHTUNG, UNT.SAMMELLEITUNG S850 JOINT COND.INF.S850 JUNTA COND. INFER. S850	
3	143174	TUBO RISC.COLLET.INF.ACQUA 50 PIPE, WATER LOW.COLL. RINSE 50 ROHR, UNT. WASSERSAMMELL.NACHSPÜL. 50 TUYAU RINC.COLLECT.INF.EAU 50 TUBO ENJUAGUE COLLET. INF. AGUA 50	
4	111030	COLLETTORE INF.NEUTRO E50NM NEUTRAL LOWER MANIFOLD ASS. E50NM+PLUG GR.SAMMLER UNTEN NEUTRAL E50NM+VERSCHL GR.COLLECTEUR INF.NEUTRE E50NM+BOUCHON COLECTOR. INF.NEUTRO.E50NM(CERRADO)	
5	035064	STAFFA POMPA SCARICO X COLLETTORE 50NM BRACKET, DRAIN PUMP FOR MANIFOLD 50NM BÜGEL, ABLASSPUMPE FÜR SAMMELLEITUNG 50NM ETRIER POMPE VID. POUR COLLECTEUR 50NM SOPORTE BOMBA DESCARGA X COLECTOR 50NM	
6	127026	MANICOTTO MANDATA POMPA 22/500 SLEEVE, PUMP DELIVERY 22/500 MUFFE, ZUFUHR PUMPE 22/500 MANCHON REFOUL. POMPE 22/500 MANGUITO IMPULSION BOMBA 22/500	
7	143240	TUBO CONDOTTA GIUNZIONE H-)COND.SUP. PIPE, H-)COND.UPPER LEITUNG, H-)OB.COND. TUYAU CONDUITE JONCTION H-)COND.SUP. TUBO CONDUCTO UNION H-)COND. SUP.	
8	143189	TUBETTO SFIATO DVGW CLEAN.3 TUBE, DRAIN SFIATO DVGW CLEAN.3 RÖHRCHEN, ENTLÜFT. DVGW CLEAN.3 TUBE DE VIDANGE DVGW CLEAN.3 TUBITO ALIVIAD. DVGW CLEAN. 3	
9	144011	DISPOSIT.A/R.(EB) CHECK VALVE (EB) RÜCKSCHLAGVORR.(EB) DISPOSIT.ANTI-RETOUR (EB) DISPOSIT. A/R. (EB)	
10	143004	TUBO PRESS.TP 10X17 (CASER/15NL C4N) PIPE, PRESSURE SWITCH TP 10X17 (CASER/15NL C4N) ROHR, DRUCKSCHALTER TP 10X17 (CASER/15NL C4N) TUYAU PRESS.TP 10X17 (CASER/15NL C4N) TUBO PRES. TP 10X17 (CASER/15NL C4N)	
11	437041	GUARNIZIONE 3/4 GAS CARICO GASKET 3/4 GAS LOAD DICHTUNG 3/4 GASVERSORG. JOINT 3/4 GAZ VID. JUNTA 3/4 GAS CARGA	
12	929169	TUBO DI CARICO DEL TERMOPLASTICO PIPE, THERMOPLASTIC DELIVERY ZULAUFSCHLAUCH, WASSER THERMOPLAST TUYAU DE CHARG. DU THERMOPLASTIQUE TUBO DE CARGA DEL TERMOPLASTICO	
13	240011	VALVOLA DI CARICO 1VIA LOADING S.VALVE 1-WAY ZUFLUSSVENTIL 1-WEG SOUPAPE DE CHARG. 1VOIE VALVULA DE CARGA 1VIA	
14	104060	BOILER BOILER BOILER SURCHAUFFEUR LA50 CALENTADOR LA50	
15	143005	TUBO PRESS.TP 5x11 (CASER/15/NL C4N) PIPE, PRESSURE SWITCH TP 5x11 (CASER/15/NL C4N) SCHLAUCH TP 5X11 (CASER/15/NL C4N) TUYAU PRESS.TP 5x11 (CASER/15/NL C4N) TUBO PRES. TP 5x11 (CASER/15/NL C4N)	

16	209025	DOSATORE BRILLANTANTE RINSE AID DISPENSING PUMP DOSIERPUMPE KLARSPUELER POMPE DOSEUR PR.RINÇAGE BOMBA DOSIFICADOR ABRILL.(BF)D.30005E	
17	121017	FILTRO ASPIRAZ. BRILLANTANTE FILTER, RINSE-AID SUCT. FILTER, ABSAUG. KLARSPÜLER FILTRE ASPIRATION TENSICA-IF FILTRO ASPIRAC. ABRILLANTADOR	
18	H.775601	TUBO 4x6 CRISTAL BLUE PVC PIPE 4x6 CRISTAL BLUE PVC ROHR 4x6 CRISTAL BLAU PVC TUYAU 4x6 CRISTAL BLEU PVC TUBO 4x6 CRISTAL AZUL PVC	
19	142053	TROPPO PIENO P./SCARICO 50/503 NM OVERFLOW, DRAIN 50/503 NM ÜBERLAUF, ABLASS 50/503 NM TROP-PLEIN POMPE VIDANGE. 50/503 NM REBOSE P. /DESCARGA 50/503 NM	
20	121078	FILTRO POMPA SCARICO 463/503 FILTER, DRAIN PUMP 463/503 FILTER, ABLASSPUMPE 463/503 FILTRE POMPE VIDANGE 463/503 FILTRO BOMBA DESCARGA 463/503	
21	303019	ANELLO ELASTICO FILTRO P.S.503 RING, ELASTIC FOR DRAIN PUMP FILTER 503 SPANNRING FÜR ABLASSPUMPENFILTER 503 BAGUE ELASTIQUE FILTRE POMPE VIDANGE 503 ANILLO ELASTICO FILTRO P. S. 503	
22	136023	PILETTA CURVA SCARICO 50/503 DRAIN, BENT 50/503 ABFLUSS, GEBOGEN 50/503 TUYAU DE VIDANGE COURB 50/503 PILETA CURVA DESCARGA 50/503	
23	437063	GUARNIZIONE PILETTA SCARICO 50 GASKET, DRAIN 50 DICHTUNG, ABFLUSS 50 JOINT TUYAU DE VIDANGE 50 JUNTA PILETA DESCARGA 50	
24	417081	DADO PLASTICA 1'- 1/4 NUT, PLASTIC 1'- 1/4 SCHRAUBENMUTTER, KUNST. 1'- 1/4 ECROU PLASTIQUE 1'- 1/4 TUERCA PLASTICO 1'- 1/4	
25	127050	MANICOTTO RIGIDO ASP.P.S. 500/503 SLEEVE, RIGIDO ASP.P.S. 500/503 MUFFE, STEIF ABS. ABL.P. 500/503 MANCHON RIGIDE ASP.POMPE VIDANGE 500/503 MANGUITO RIGIDO ASP. P. S. 500/503	
26	127044	MANICOTTO ASP.POMPA SC.353/403 SLEEVE, SUCT.DRAIN PUMP 353/403 MUFFE, ABSAUG.ABLASSPUMPE 353/403 MANCHON ASP.POMPE VIDANGE 353/403 MANGUITO ASP. BOMBA DESC. 353/403	
27	468152	RACCORDO SCARICO CLEAN.3 UNION, DRAIN CLEAN.3 VERBINDUNGSST., ABLAUF CLEAN.3 RACCORD VIDANGE CLEAN.3 EMPALME DESCARGA CLEAN. 3	
28	127037	MANICOTTO SCARICO CLEAN.3 SLEEVE, DRAIN CLEAN.3 MUFFE, ABLAUF CLEAN.3 MANCHON VIDANGE CLEAN.3 MANGUITO DESCARGA CLEAN. 3	
29	144003	VALVOLA DI SFIATO P./SCARICO RELIEF VALVE, DRAIN PUMP ENTLÜFTUNGSVENTIL, ABLASSPUMPE SOUPAPE DE VIDANGE VALVULA ALIVIAD. P. /DESCARGA	
30	423024	FASCETTA PL.FISSA TUBO SC.POMPA SC. CLAMP, PLAST.FOR DRAIN PUMP PIPE CLAMP. SCHELLE, KUNST. BEF.FÜR ABLASSROHRPUMPE BANDE DE SERR. PLAST.TUYAU DE VID. POMPE VID. ABRAZADERA PL. FIJA TUBO DESC. BOMBA	

31	143178	TUBO SCARICO - 50 PIPE, DRAIN - 50 ABLASSROHR - 50 TUYAU VIDANGE - 50 TUBO DESCARGA - 50	
32	130105	POMPA SCARICO (50/503/460/BD18) DRAIN PUMP (50/503/460/BD18) ABLASSPUMPE (50/503/460/BD18) POMPE VIDANGE (50/503/460/BD18) BOMBA DESCARGA (50/503/460/BD18)	
33	130150	POMPA SCARICO (50/503/460/BD18) 60HZ DRAIN PUMP (50/503/460/BD18) 60HZ ABLASSPUMPE (50/503/460/BD18) 60HZ POMPE VIDANGE (50/503/460/BD18) 60HZ BOMBA DESCARGA (50/503/460/BD18) 60HZ	

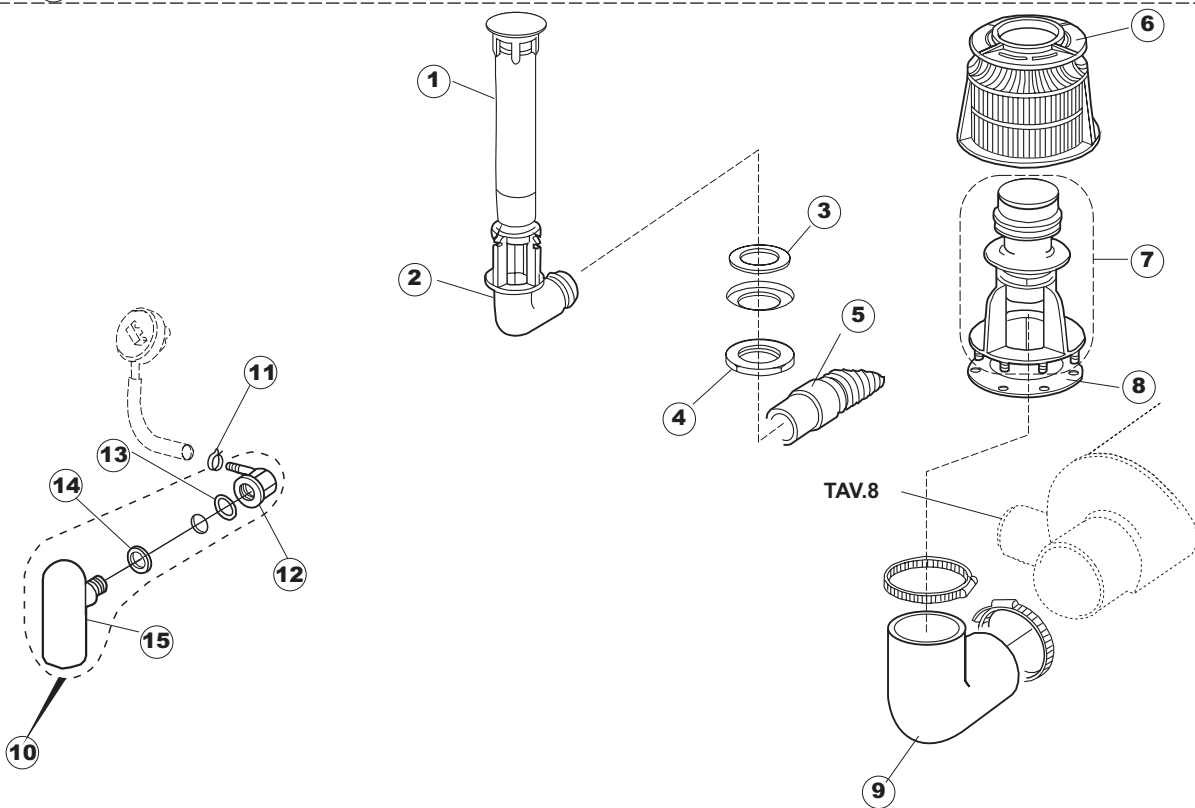
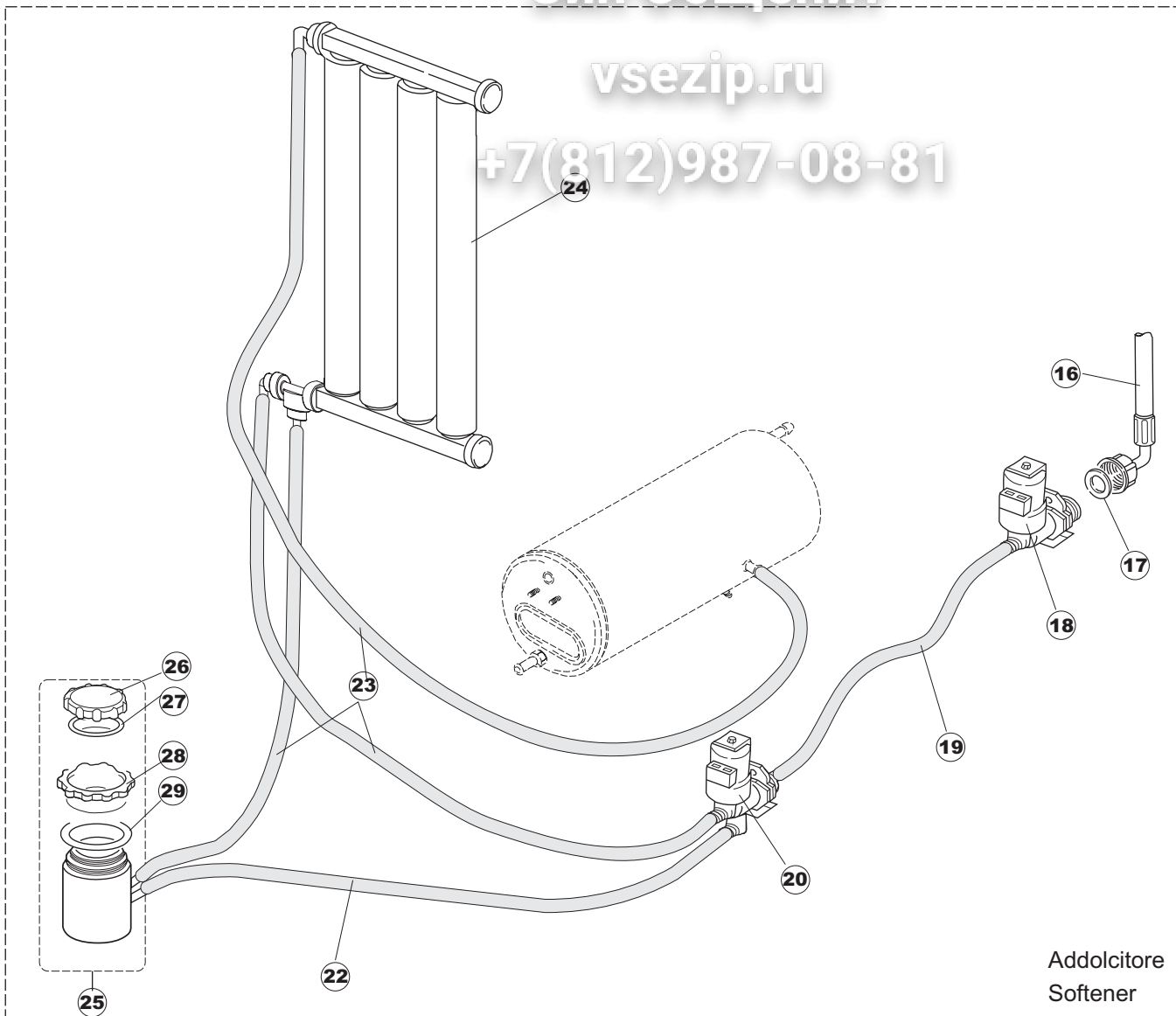
Зип Общепит

vsezip.ru

(812)987-08-81

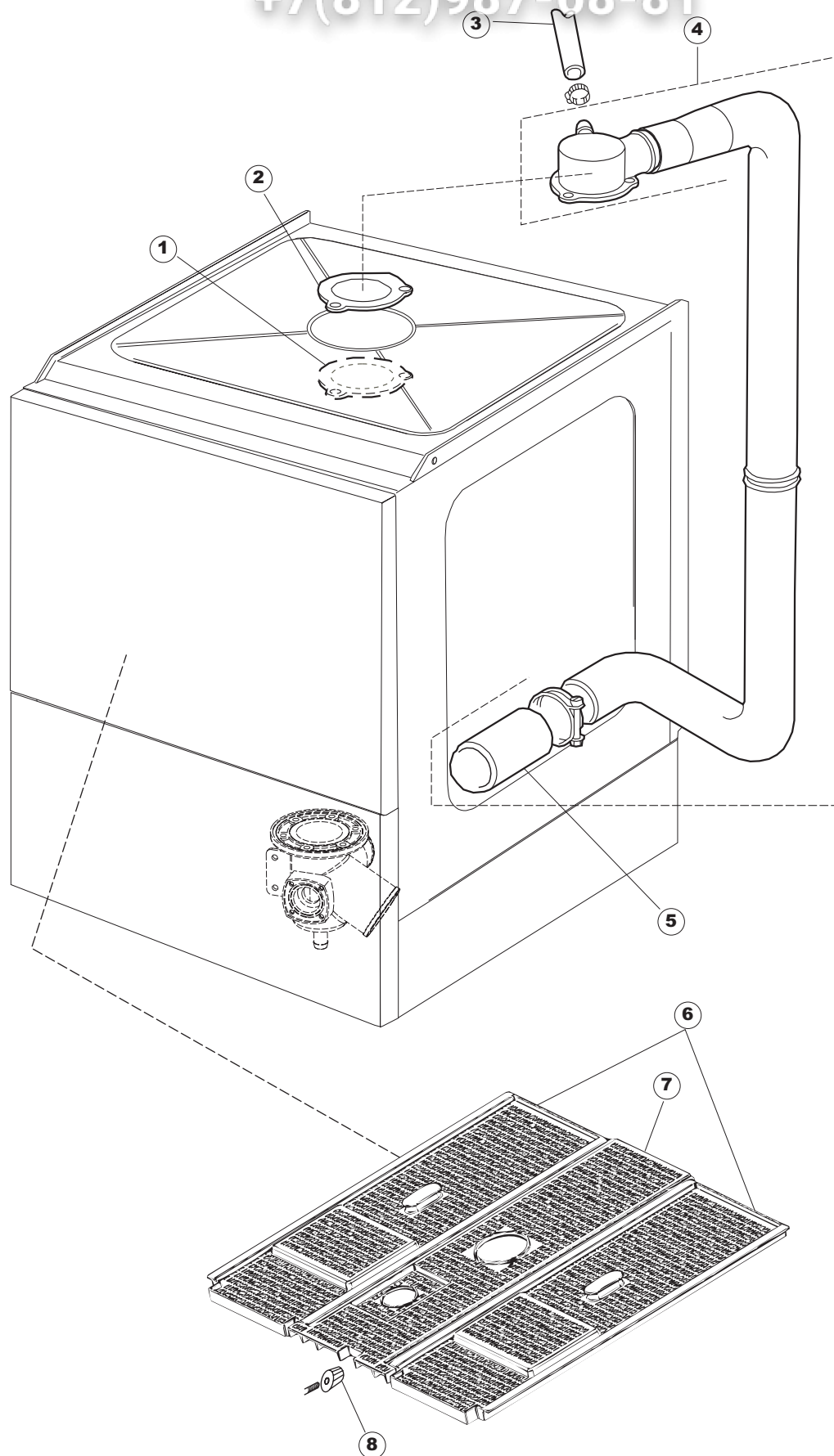
vsezip.ru

+7(812)987-08-81



1	142052	TROPPO PIENO 50/503 NM OVERFLOW 50/503 NM ÜBERLAUF 50/503 NM TROP-PLEIN 50/503 NM REBOSE 50/503 NM	
2	136023	PILETTA CURVA SCARICO 50/503 DRAIN, BENT 50/503 ABFLUSS, GEBOGEN 50/503 TUYAU DE VIDANGE COURB 50/503 PILETA CURVA DESCARGA 50/503	
3	437063	GUARNIZIONE PILETTA SCARICO 50 GASKET, DRAIN 50 DICHTUNG, ABFLUSS 50 JOINT TUYAU DE VIDANGE 50 JUNTA PILETA DESCARGA 50	
4	417081	DADO PLASTICA 1'- 1/4 NUT, PLASTIC 1'- 1/4 SCHRAUBENMUTTER, KUNST. 1'- 1/4 ECROU PLASTIQUE 1'- 1/4 TUERCA PLASTICO 1'- 1/4	
5	143178	TUBO SCARICO - 50 PIPE, DRAIN - 50 ABLAUSSROHR - 50 TUYAU VIDANGE - 50 TUBO DESCARGA - 50	
6	121052	FILTRO POMPA - 22/44 FILTER, PUMP - 22/44 FILTER, PUMPE - 22/44 FILTRE POMPE - 22/44 FILTRO BOMBA - 22/44	
7	478059	SUPPORTO FILTRO GRIGIO+PROLUNGA SUPPORT, FILTER GREY+EXTENSION HALTER, FILTER GRAU+VERLANGERUNG SUPPORT FILTRE GRIS+RALLONGE SOPORTE FILTRO GRIS+ALARGADOR	
8	437015	GUARNIZIONE FILTRO POMPA S651- GASKET, PUMP FILTER S651- DICHTUNG, PUMPENFILTER S651- JOINT FILTRE POMPE S651- JUNTA FILTRO BOMBA S651-	
9	127041	MANICOTTO ASPIRAZIONE 463/503 SLEEVE, SUCTION 463/503 MUFFE, ABSAUG. 463/503 MANCHON ASPIRATION 463/503 MANGUITO ASPIRACION 463/503	
10	984005	GRUPPO CAMPANA PRESSOST.35/40 PRESSURE SWITCH BELL 35/40 GLOCKE, DRUCKSCHALTER 35/40 ENS.BOITE PRESSOSTAT 35/40 GRUPO CAMPANA PRESOSTATO 35/40	
11	423011	FASCETTA A MOLLA CLAMP, SPRING-TYPE SCHELLE, FEDER BANDE DE SERRAGE A RESSORT ABRAZADERA DE MUELLE	
12	468029	RACCORDO CAMPANA PRESSOSTATO UNION, PRESSURE SWITCH BELL VERBINDUNGSSTK. TANKEINLAUF RACCORD BOITE PRESSOSTAT EMPALME CAMPANA PRESOSTATO	
13	456020	OR 3050 R495 O-ring 3050 R495 O-Ring 3050 R495 OR 3050 R495 OR 3050 R495	
14	437019	GUARNIZIONE CAMP. PRESS. V.M. GASKET, CAMP. PRESS. V.M. DICHTUNG, GLOCKE DRUCKSCH. V.M. JOINT BOITE PRESSOSTAT V.M. JUNTA CAMP. PRES. TORNILLO M.	
15	107005	CAMPANA PRESS. EB 35/40 PRESSURE SWITCH BELL EB 35/40 GLOCKE, DRUCKSCHALT. EB 35/40 BOITE PRESSOSTAT EB 35/40 CAMPANA PRES. EB 35/40	

16	929169	TUBO DI CARICO DEL TERMOPLASTICO PIPE, THERMOPLASTIC DELIVERY ZULAUFSCHLAUCH, WASSER THERMOPLAST TUYAU DE CHARG. DU THERMOPLASTIQUE TUBO DE CARGA DEL TERMOPLASTICO	
17	437041	GUARNIZIONE 3/4 GAS CARICO GASKET 3/4 GAS LOAD DICHTUNG 3/4 GASVERSORG. JOINT 3/4 GAZ VID. JUNTA 3/4 GAS CARGA	
18	240016	VALVOLA DI CARICO 1VIA 3/4 230V PARZ.16L LOADING S.VALVE 1-WAY 3/4 230V PART.16L ZUFLUSSVENTIL 1-WEG 3/4 230V DROSS.16L SOUPAPE DE CHARG. 1VOIE 3/4 230V PARZ.16L VALVULA DE CARGA 1VIA 3/4 230V PARC. 16L	
19	143246	TUBO CONDOTTA VALVOLA-)ADUCISSEUR PIPE, -)SOFTENER LEITUNG, -)ENTHARTER TUYAU CONDUITE SOUPAPE-)DEPURAT. TUBO CONDUCTO VALVULA-)DEPURADOR	
20	999288	GRUPPO VALVOLA DEVIATRICE MAGNETVENTIL ZWEIWEGE GRUPO VALVULA DESVIAC.CON REDUCTOR	
22	143243	TUBO CONDOTTA VALVOLA-)DVGW PIPE, -)DVGW LEITUNG, -)DVGW TUYAU CONDUITE SOUPAPE-)DVGW TUBO CONDUCTO VALVULA-)DVGW	
23	143004	TUBO PRESS.TP 10X17 (CASER/15NL C4N) PIPE, PRESSURE SWITCH TP 10X17 (CASER/15NL C4N) ROHR, DRUCKSCHALTER TP 10X17 (CASER/15NL C4N) TUYAU PRESS.TP 10X17 (CASER/15NL C4N) TUBO PRES. TP 10X17 (CASER/15NL C4N)	
24	117007	DEPURATORE 4 COLONNE DOPPIA"VAR" WATER SOFTNER WASSERENTKAECKER ADOUICISSEUR DEPURADOR 4 COLUMNAS DOBLE"VAR"	
25	406998	GRUPPO BOCCIA SALE NM SALT CONTAINER NM SALZBEHALTER NM ENS.BAC A SEL NM GRUPO JARRA SAL NM	
26	480005	TAPPO BOCCIA SALE SALT CONTAINER SCREW CAP PFROPFEN, SALZBEHALTER BOUCHON BAC A SEL TAPON JARRA SAL	
27	456052	OR 144 O-ring 144 O-Ring 144 OR 144 OR 144	
28	429011	GHIERA BOCCIA SALE RING NUT, SALT CONT. GEWINDERING, SALZBEH. BAGUE BAC A SEL VIROLA JARRA SAL	
29	437034	GUARNIZIONE D68D81S3 GOMMA GASKET, D68D81S3 RUBBER DICHTUNG, D68D81S3 GUMMI JOINT D68D81S3 CAOUTCHOUC JUNTA D68D81S3 GOMA	

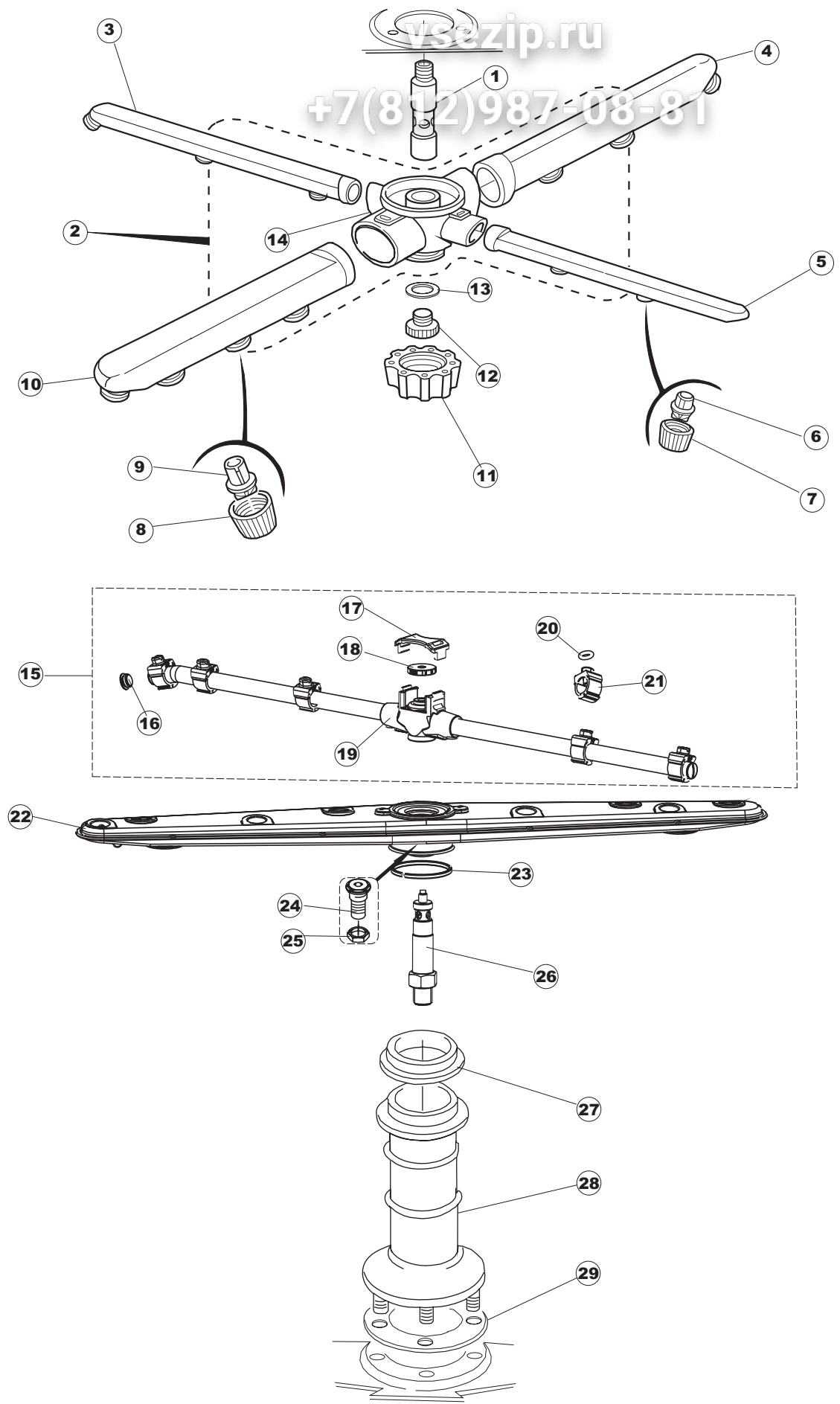


1	303029	ANELLO DI GOCCIOLAMENTO 46/50.. RING, DRIPPING 46/50.. TROPFRING 46/50.. BAGUE DE DEGOUTTEMENT 46/50.. ANILLO DE GOTEIO 46/50..	
2	437064	GUARNIZIONE COND. CENTR. SUP. 50 GASKET, MANIFOLD, CENTR. UPP. 50 DICHTUNG, SAMMELLEITUNG, ZENTR. OB. 50 JOINT COND. CENTR. SUP. 50 JUNTA COND. CENTR. SUP. 50	
3	143240	TUBO CONDOTTA GIUNZIONE H-)COND.SUP. PIPE, H-)COND. UPPER LEITUNG, H-)OB. COND. TUYAU CONDUITE JONCTION H-)COND.SUP. TUBO CONDUCTO UNION H-)COND. SUP.	
4	115113	CONDOTTA LAV. EST. PL.+MANIC.+115111 SP405 PIPE, WASHINGEST. PL.+ SLEV.+115111 SP405 LEITUNG, AUSS.SPÜLEN K+MUFFE+115111 SP405 CONDUITE LAV. EXT. PL.+MANCHON+115111 SP405 CONDUCTO LAV. EXT. PL. +MANGUITO +115111 SP405	
5	127036	MANICOTTO INFER. COND. LAV. 50/f SLEEVE, LOW. WASH. COND. 50/f MUFFE, UNT. SPÜL. KOND. 50/f MANCHON INF. COND. LAV. 50/f MANGUITO INFER. COND. LAV. 50/f	
6	121139	FILTRO FILTER FILTER FILTRE FILTRO PLASTICA LATERAL CUBETA E50(2009)	Optional
7	121138	FILTRO CENTRALE VASCA E50(2009) FITER FILTER FILTRE FILTRO CENTRAL CUBETA E50(2009)	Optional
8	408006	BORCHIA X FILTRO VASCA GRIGIA STUD, FOR TANK FILTER - GREY BESCHLAG, FÜR TANKFILTER - GRAU BOSSE POUR FILTRE CUVE GRISE BOLLON X FILTRO CUBETA GRIS	

7 Zip Общепит

vsezip.ru

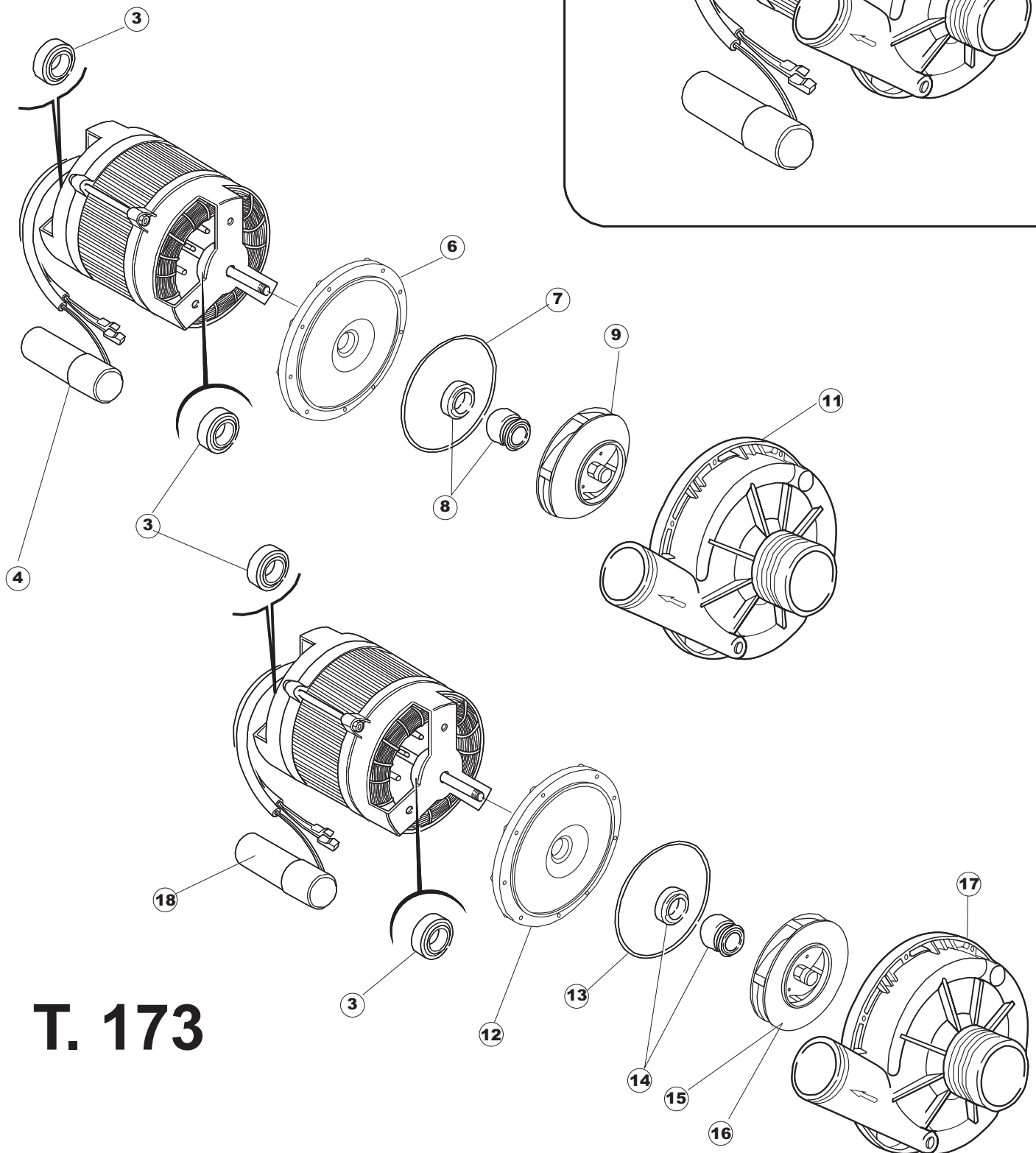
+7(812)987-08-81



1	327006	PERNO LAV.RISC.INFER.21/453 PIN, LOW.WASH/RINSE 21/453 ZAPFEN, UNT. SPÜL/NACHSPÜLEN 21/453 PIVOT LAV.RINC.INFER.21/453 PERNO LAV. ENJUAGUE INFER. 21/453	
2	990108	GRUPPO LAV.RISC.SUPER.50/UNIVERSALE WASH./RINSE-ARM ASSB.,UPP.50/UNIVERF.SALE SATZ, SPÜL./NACHSPÜLARM,OB.50/UNIVERSAL ENS. LAV.RINC.SUP.50/UNIVERSEL GRUPO LAV. ENJUAGUE SUPER. 50/UNIVERSAL	
3	106007	BRACCIO RISCIAQUO DX S651-850 RINSE ARM, RH S651-850 NACHSPÜLARM, RECHTS S651-850 BRAS RINCAGE, DROITE S651-850 BRAZO ENJUAGUE DCHA S651-850	
4	106006	BRACCIO LAV.SX.+ VITE S651-850-503 WASH.ARM,LH+ SCREW S651-850-503 SPÜLARM,LINKS+ SCHRAUBE S651-850-503 BRAS LAV.GAUCHE+ VIS S651-850-503 BRAZO LAV. IZDA. S651-850-503	
5	106005	BRACCIO RISCIAQUO SX S651-850 RINSE ARM, LH S651-850 NACHSPÜLARM, LINKS S651-850 BRAS RINCAGE, GAUCHE S651-850 BRAZO ENJUAGUE IZDA S651-850	
6	140007	SPRUZZO RISCIAQUO S621-3-31- SPRAY S621-3-31- SPRITZ S621-3-31- JET RINCAGE S621-3-31- ROCIADOR ENJUAGUE S621-3-31-	
7	429006	GHIERA RISCIAQUO S621-3-31-3 RING NUT, RINSE S621-3-31-3 GEWINDERING, NACHSPÜLEN S621-3-31-3 BAGUE RINCAGE S621-3-31-3 VIROLA ENJUAGUE S621-3-31-3	
8	429007	GHIERA LAVAGGIO S621-3-31-3 RING NUT, WASHING S621-3-31-3 GEWINDERING, SPÜLEN S621-3-31-3 BAGUE LAVAGE S621-3-31-3 VIROLA LAVADO S621-3-31-3	
9	140008	SPRUZZO LAVAGGIO S621-3-31- SPRAY S621-3-31- SPRITZ S621-3-31- JET LAVAGE S621-3-31- ROCIADOR LAVADO S621-3-31-	
10	106008	BRACCIO LAV.DX.+ VITE S651-850-503 WASH.ARM, RH+ SCREW S651-850-503 SPÜLARM, RECHTS+ SCHRAUBE S651-850-503 BRAS LAV.DROITE+ VIS S651-850-503 BRAZO LAV. DCHA. + TORNILLO S651-850-503	
11	447128	MANOPOLA FISSA LAVAGGIO GRIGIA KNOB, FIX, WASH. GREY DREHKNOPF, FEST SPÜL. GRAU POIGNEE FIXE LAVAGE GRISE MANIJA FIJA LAVADO GRIS	
12	454002	NOTTOLINO 21/31 PAWL 21/31 KLINKE 21/31 CLIQUET 21/31 TRINQUETE 21/31	
13	437100	GUARNIZIONE D20D10S0.5 PTFE G400 PACKING DICHTUNG JOINT JUNTA D20D10S0.5 PTFE G400	
14	129039	CORPO LAV./RISC.INF.353/403RAL7012 WASH-RINSE-ARM ASSB., LOWER 353/403RAL7012 GEHAUSE, SPÜL-NACHSPÜLEN UNTEN 353/403RAL7012 CORPS LAV./RISC.INF.353/403RAL7012 CUERPO LAV. /ENJUAGUE INF.	
15	993048	GR.RISCIAQUO INF.X5 EB GRIGIO RINSE, LOW.X5 EB GREY NACHSPÜLEN, UNTEN X5 EB GRAU ENS.RINCAGE INF.X5 EB GRIS GR. ENJUAGUE INF. X5 EB GRIS	

16	480086	TAPPO FILET.TO BRACCIO RISO VICT.12/32 CAP, RISNE THREADED ARM VICT.12/32 SCHRAUBVERSCHLUSS, NACHSPÜLARM VICT.12/32 BOUCHON FILETE BRAS RINC.VICT.12/32 TAPON ROSCADO BRAZO ENJUAGUE VICT.12/32	
17	412029	FERMO DI SICUR.NOTTOLINO X5 SAFETY STOPPER, PAWL X 5 SICHERH.HALTEVORR., KLINKE X 5 ARRET DE SECURITE CLIQUET X5 TOPE DE SEGUR. TRINQUETE X5	
18	454005	NOTTOLINO TORNITO D21.5 PAWLN, TURNED D21.5 KLINKE, GEDREHT D21.5 CLIQUET TOURNE D21.5 TRINQUETE TORNEADO D21. 5	
19	129054	CORPO PETTINE RISCIAQUO.X5 RINSE-ARM SUPPORT COMB X5 GEHAUSE, NACHSPÜLKAMM X5 CORPS PEIGNE RINCAGE.X5 CUERPO PEINE ENJUAGUE. X5	
20	456030	OR 106 (CGR106) O-ring 106 (CGR106) O-Ring 106 (CGR106) OR 106 (CGR106) OR 106 (CGR106)	
21	140025	SPRUZZO RISCIAQUO D.2,5 SPRAY D.2,5 NACHSPUELDUESE D. 2,5 JET RINCAGE D.2,5 ROCIADOR ENJUAGUE D. 2,5	
22	80345	GR.PETTINE LAVAGGIO INOX NM NEW WASH BOSS ASSEMBLY SPUELARM KOMPL. GROUPE RAMPE LAVAGE GR.PEINE LAVADO INOX NM	
23	303032	ANELLO INOX DI TENUTA LAVAGGIO X5 RING, INOX WASH. SEAL X5 DICHTUNGSRING, INOX SPÜL. X5 BAGUE INOX D'ETANCHEITE LAVAGE X5 ANILLO INOX DE ESTANQ. LAVADO X5	
24	417111	BUSSOLA PETTINE LAV.X5 BUSHING, WASH-ARM X5 BUCHSE, SPÜLKAMM X5 DOUILLE PEIGNE LAV.X5 CASQUILLO PEINE LAV. X5	
25	308031	GHIERA BUSSOLA LAVAGGIO X5 RING NUT, WASH.BUSH X5 GEWINDERING, SPÜL.BUCHSE X5 BAGUE DOUILLE LAVAGE X5 VIROLA CASQUILLO LAVADO X5	
26	325076	PERNO RISCIAQUO INFERIORE E55 RINSE BOSS SPINDLE E55 ZAPFEN E55 PIVOT E55 PERNO ENJUAGUE INF.E55	
27	199058	DISCO PARZIAL.ACQUA PLAST.E55 DISC, WATER FLOW REDUCER PLAST.E55 DROSSELSCHEIBE, WASSER KUNST.E55 DISQUE ETRANGL. EAU PLAST.E55 DISCO PARCIAL. AGUA PLAST. E55	
28	115075	CONDOTTO CENTRALE INFER.50 (H=108) CENTR.PIPELINE - LOWER 50 (H=108) ZENTR.LEITUNG - UNTEN 50 (H=108) CONDUITE CENTR. INF.50 (H=108) CONDUCTO CENTRAL INFER. 50 (H=108)	
29	437014	GUARNIZIONE COND.INFER.S850 GASKET, LOWER MANIFOLD S850 DICHTUNG, UNT.SAMMELLEITUNG S850 JOINT COND.INF.S850 JUNTA COND. INFER. S850	

B. 237
(T2350)



T. 173

1	130109	POMPA HP 0.80 220/240-50 - 50/500 PUMP HP 0.80 220/240-50 - 50/500 PUMPE HP 0.80 220/240-50 - 50/500 POMPE HP 0.80 220/240-50 - 50/500 BOMBA HP 0.80 220/240-50 - 50/500	
2	130119	POMPA B237 HP 0.80 220/60 50 PUMP B237 HP 0.80 220/60 50 PUMPE B237 HP 0.80 220/60 50 POMPE B237 HP 0.80 220/60 50 BOMBA B237 HP 0.80 220/60 50	
3	314001	CUSCINETTO 6201/2Z BEARING 6201/2Z LAGER 6201/2Z PALIER 6201/2Z COJINETE 6201/2Z	
4	206003	CONDENSATORE DA 12.5 mF CONDENSER - 12.5 mF KONDENSATOR - 12.5 mF CONDENSATEUR DE 12.5 mF CONDENSADOR DE 12.5 mF	
6	315017	FLANGIA CON CUFFIA B237 FLANGE, W/COVERING DUCT B237 FLANSCH, MIT DECKEL B237 BRIDE AVEC ENVELOPPE B237 BRIDA CON CASQUETE B237	
7	437049	GUARNIZIONE POMPA 2277 GASKET, PUMP 2277 DICHTUNG, PUMPE 2277 JOINT POMPE 2277 JUNTA BOMBA 2277	
8	141002	TENUTA MECCANICA ROTANTE D 12 SEAL, MECH., REVOLVING D 12 DICHTUNG, MECH., ROTIER. D 12 JOINT MECANIQUE PIVOTANT 12 SELLO MECANICO GIRAT. D 12	
9	124065	GIRANTE POMPA B237(1200315D) WASH PUMP IMPELLER FOR B237 FOR DISH- WASHER PUMPENFLUEGELRAD B237 FUER GESCHIRR- SPUELER TURBINE MOTO-POMPE B237 POUR LAVE-VAIS- SELLE ROTOR BOMBA B237(1200315D)	
11	116021	CORPO POMPA B237 PUMP SHELL, B237 PUMPENGEHAUSE, B237 CORPS POMPE B237 CUERPO BOMBA B237	
12	315022	FLANGIA POMPA LGB T-173/174 FLANGE, PUMP LGB T-173/174 FLANSCH, PUMPE LGB T-173/174 BRIDE POMPE LGB T-173/174 BRIDA BOMBA LGB T-173/174	
13	456031	OR T30-1297 D.2 O-ring T30-1297 D.2 O-Ring T30-1297 D.2 OR T30-1297 D.2 OR T30-1297 D. 2	
14	141007	TENUTA MECC.D.26x13x5,5 BR. SEAL, MECH..D.26x13x5,5 BR. DICHTUNG, MECH.D.26x13x5,5 BR. JOINT MECAN.D.26x13x5,5 BR. SELLO MEC. D. 26x13x5,5 BR.	
15	124031	GIRANTE CHIUSO 50HZ D.104 T170 IMPELLER, CLOSED 50HZ D.104 T170 LAUFRAD, ZU 50HZ D.104 T170 ROUE FERMEE 50HZ D.104 T170 ROTOR CERRADO 50HZ D. 104 T170	
16	124053	GIRANTE CHIUSO 60HZ T173-175 IMPELLER, CLOSED 60HZ T173-175 LAUFRAD, ZU 60HZ T173-175 ROUE FERMEE 60HZ T173-175 ROTOR CERRADO 60HZ T173-175	
17	116019	CORPO POMPA 50 T-173 PUMP SHELL, 50 T-173 PUMPENGEHAUSE, 50 T-173 CORPS POMPE 50 T-173 CUERPO BOMBA 50 T-173	

18	206004	CONDENSATORE DA 16 mF CONDENSER - 16 mF KONDENSATOR - 16 mF CONDENSATEUR DE 16 mF CONDENSADOR DE 16 mF	
----	--------	--	--

Зип Общепит

vsezip.ru

+7(812)987-08-81