

DESPIECE TÉCNICO TECHNICAL PARTS

Lavavajillas

Dishwasher

MODELOS

CO-110 / DD / B / B DD

CO-170 / DD / B / B DD / SOFT / HRS / HRS DD / HRS SOFT

Diciembre 2014 December

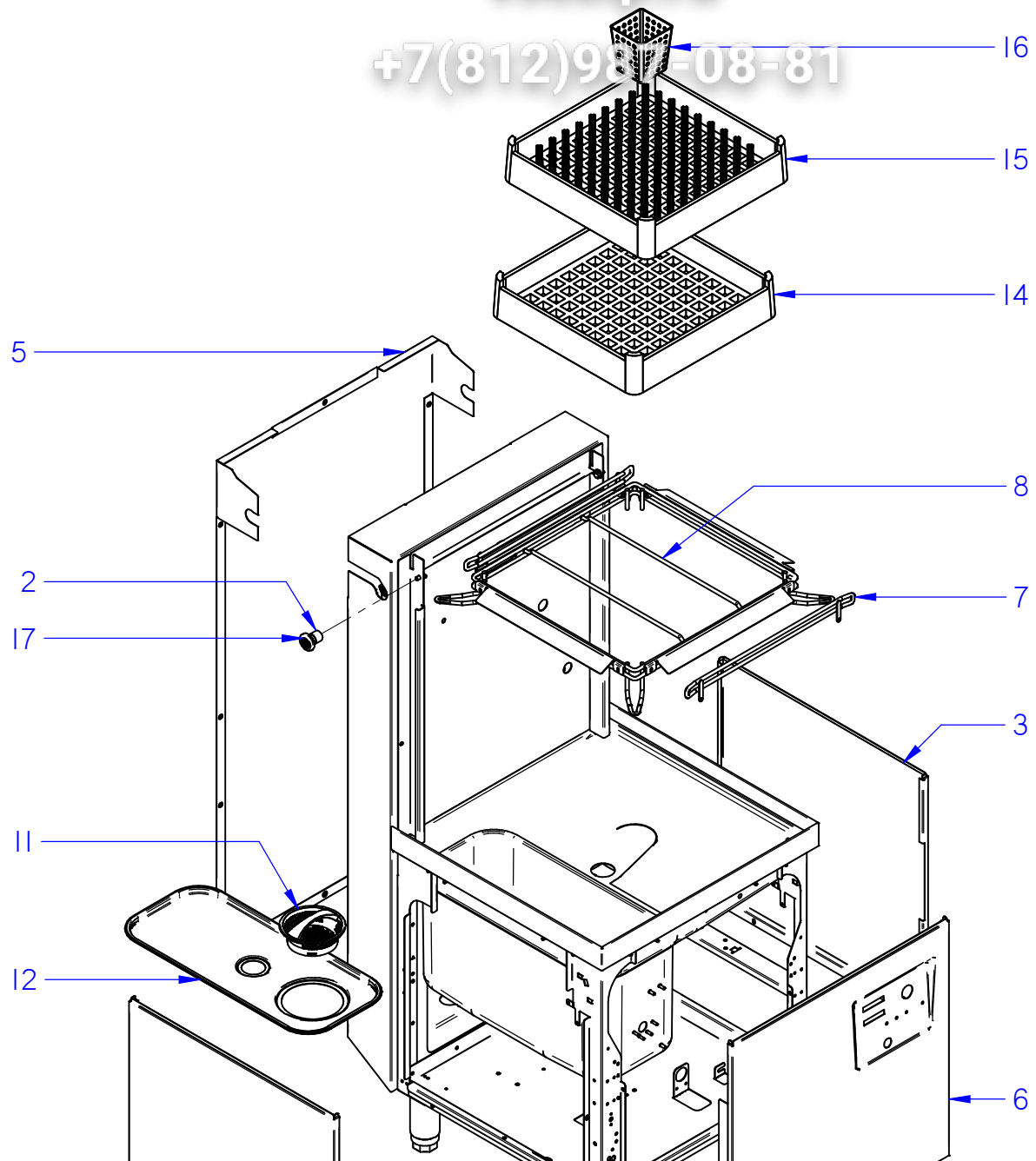
Revisado Julio 2015 July Revised



Зип Ощепит

vsezip.ru

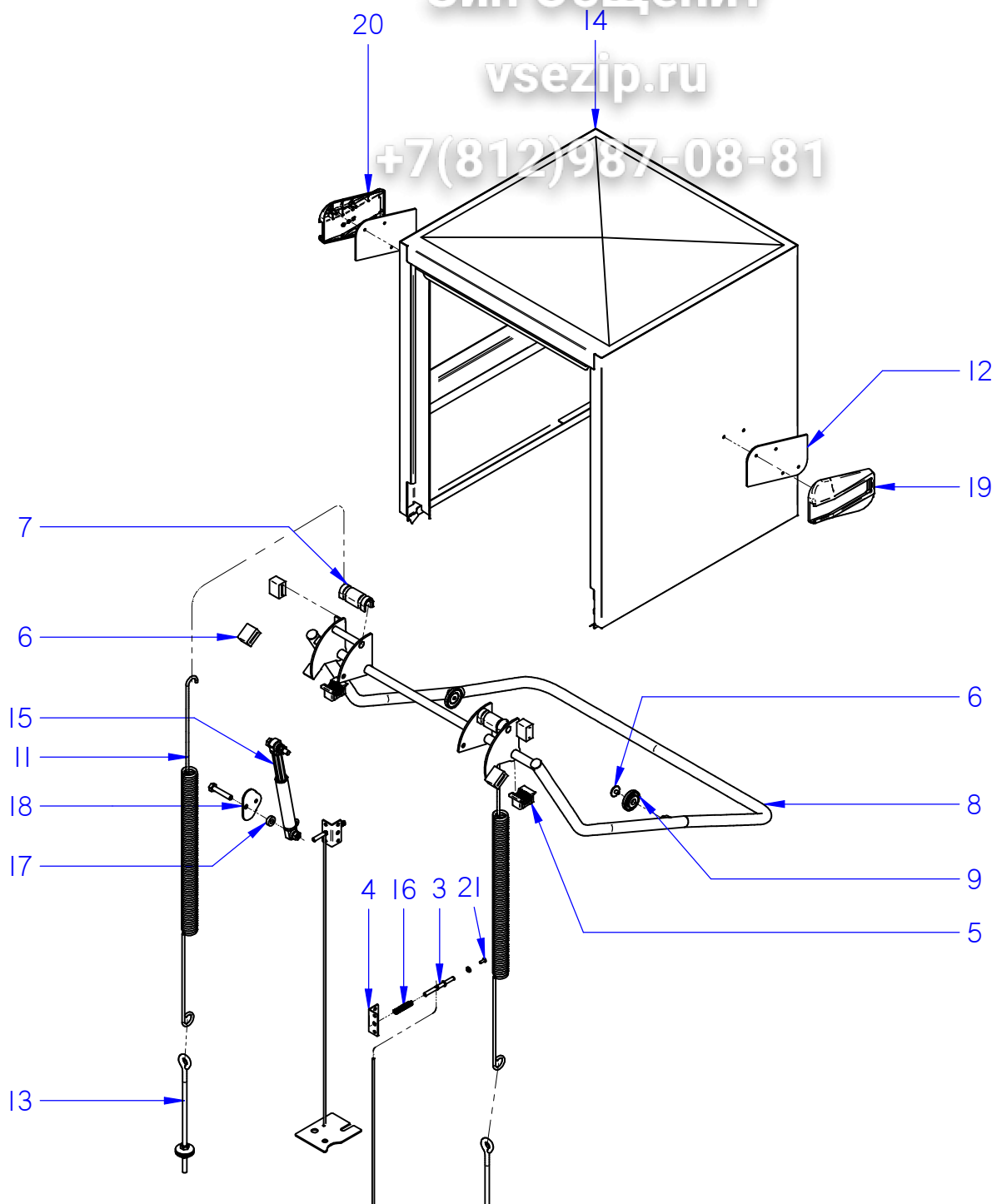
+7(812)987-08-81



Зип Общепит

vsezip.ru

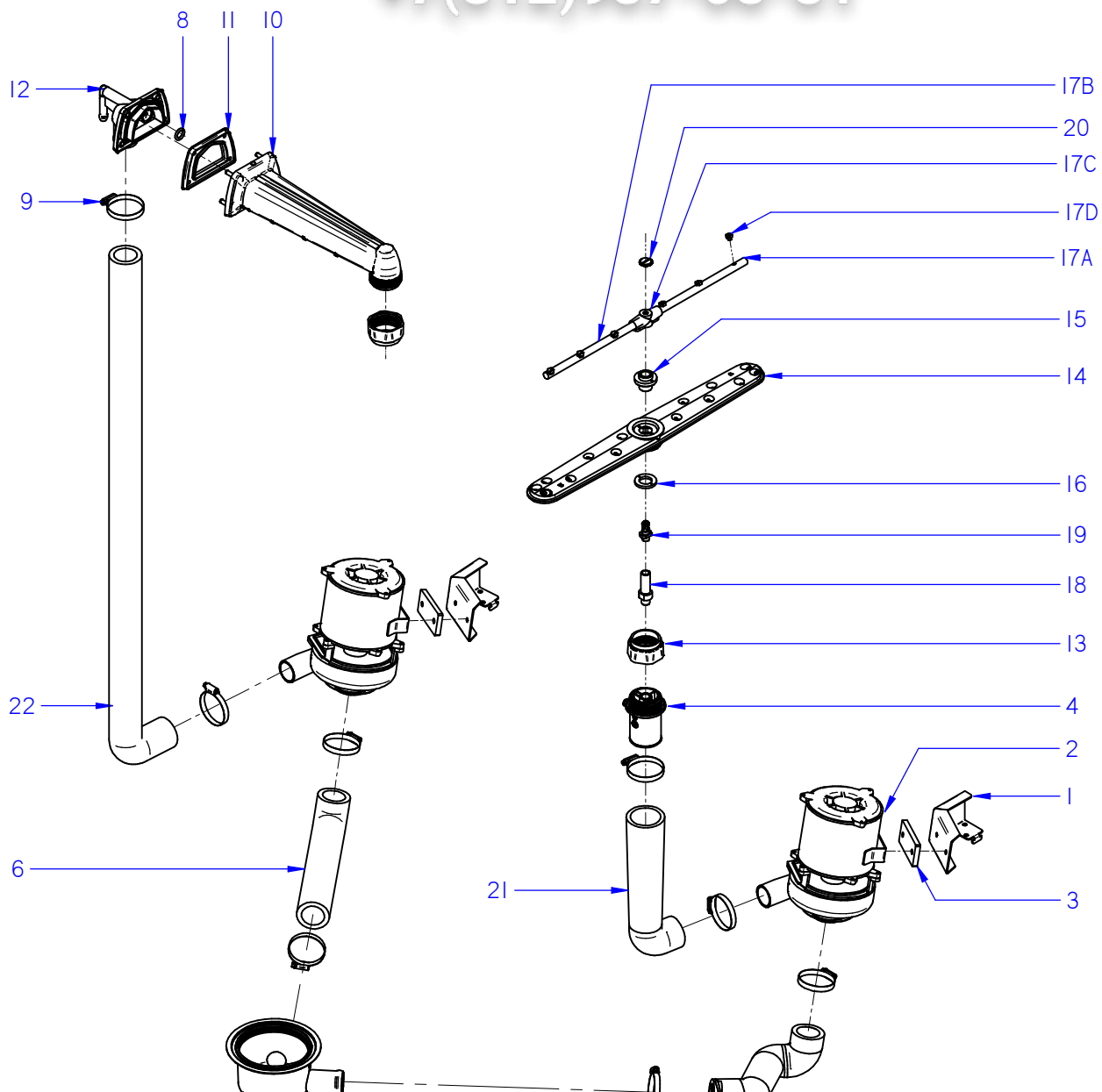
+7(812)987-08-81



Зип Ощепит

vsezip.ru

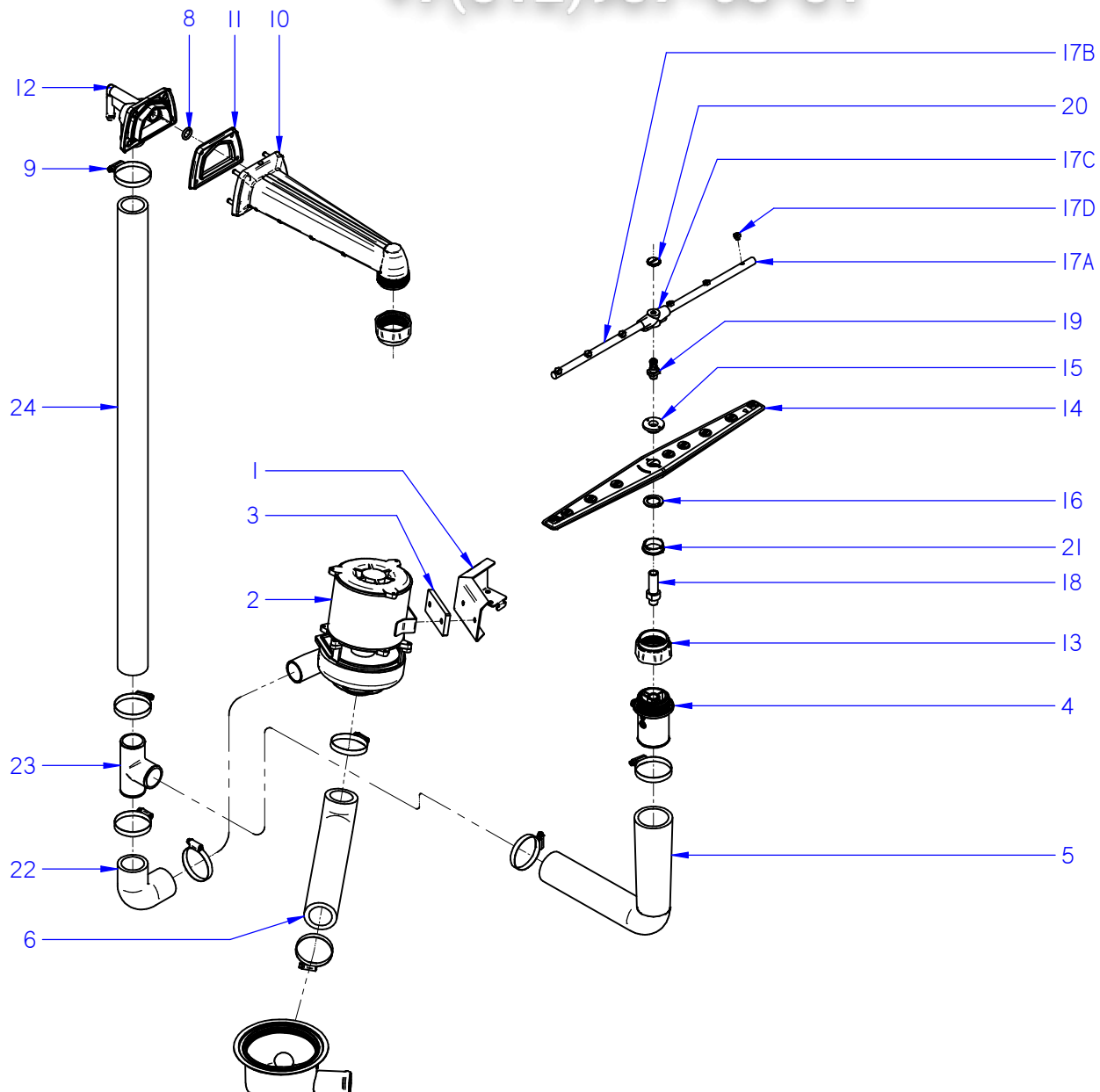
+7(812)987-08-81



Зип Ощепит

vsezip.ru


+7(812)987-08-81



Зип Общепит

vsezip.ru

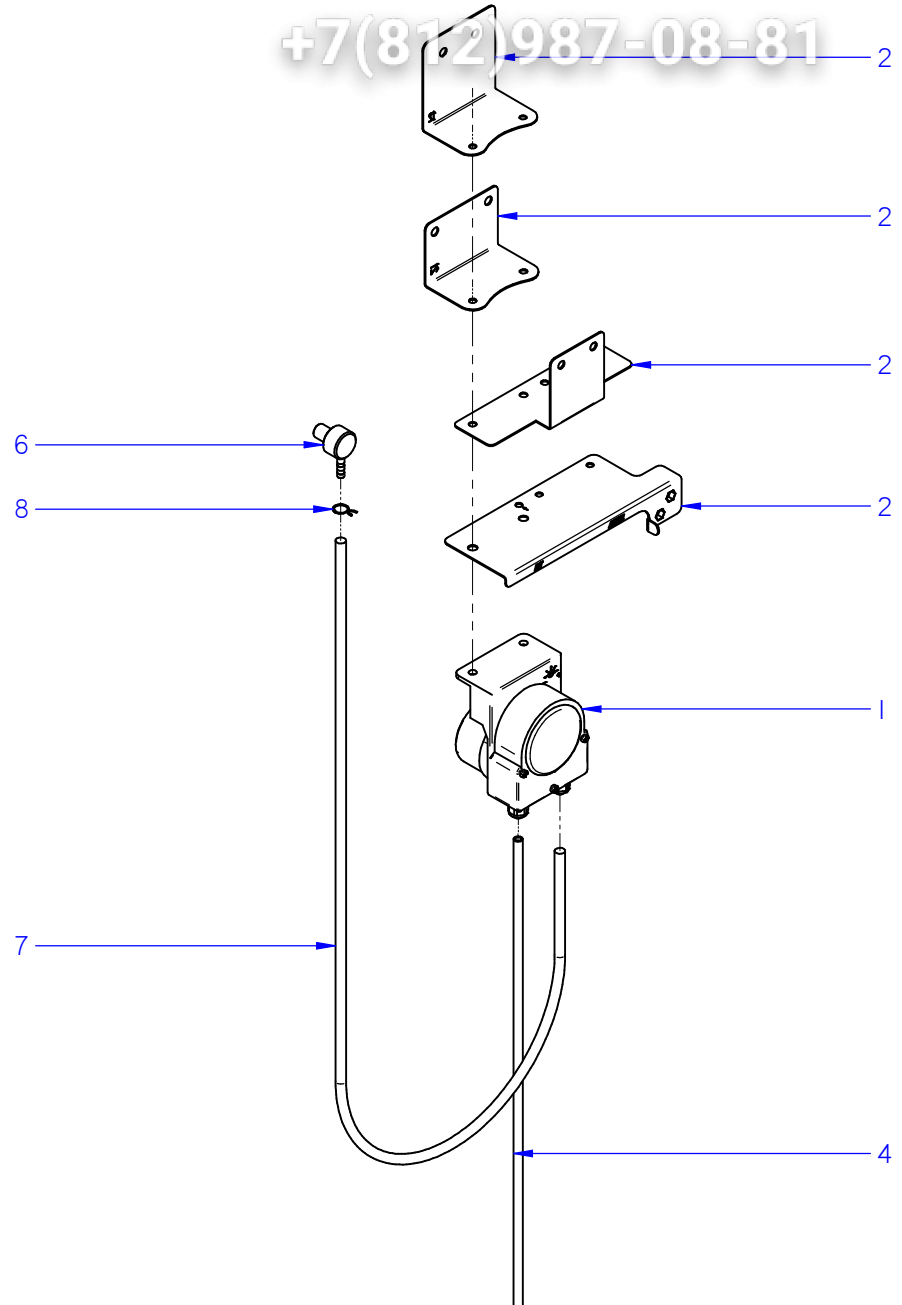
+7(812)987-08-81

ZONA / ZONE		PARTE FUNCIONAL LAVADO / WASHING FUNCTIONAL PART				LÁMINA / DRAWING		C-3295		FAGOR 		
ITEM	REFERENCIA REFERENCE	DENOMINACIÓN	DENOMINATION	CO-					RECOMMENDED	ELIMINADO ELIMINATED	INTRODUCIDO INTRODUCED	NOTAS / NOTES
1	12046160	SOPORTE BOMBA LAVADO	WASHIG PUMP SUPPORT	1								
2	12043287	MOTOBOMBA 590KW 50Hz	WASHIG PUMP 590KW 50Hz	1					X			
2	12102834	MOTOBOMBA 590KW 60Hz	WASHIG PUMP 590KW 60Hz	1					X			
3	12023556	BASE BOMBA LAVADO 1003016	WASHIG PUMP BASE 1003016	1								
4	12047910	SOP. DISTRIBUIDOR INFERIOR	LOWER SPRY-ARM SUPPORT	1								
5	12045921	CONDUCTO IMPULSION ANTERIOR	FRONT EXPULSION PIPE	1								
6	12046162	CONDUCTO ASPIRACION	SUCTION PIPE	1								
7	12024376	CONDENSADOR 10MF	10MF CONDENSER	1					X			
8	12049214	JUNTA TORICA ACLARADO 13.8-3.5	RINSING O-RING 13,8-3,5	1								
9	12009962	ABRAZADERA 40-60	40-60 CLAMP	8								
10	12048173	BRAZO LAVAD-ACLAR. CAPOTA	WASH-RINSE ARM	1								
11	12048366	JUNTA BRAZO LAVADO-ACLAR.	WASH-RINSE ARM'S SEAL	1								
12	12048367	CIERRE BRAZO LAVADO-ACLAR.	WASH-RINSE ARM'S CLOSURE	1								
13	12048172	ADAPTADOR RAMAS LAVADO 1 BOMB.	WASHING ARMS ADAPTER 1 PUMP	2								
14	12025122	DISTRIBUIDOR COMPLETO	COMPLETE SPRY-ARM	2								
15	12110631	ENGANCHE DISTRIBUIDOR LATON	SPRY-ARM'S BUSHING	2								
16	12024289	AMARRE ENGANCHE DISTRIBUI	TIGHTEN UP WASHER	2								
17	12111791	DISTRIBUIDOR ACLARADO CONCEPT	CONCEPT RINSE SPRY-ARM	2								
17A	12113595	RAMA ACLARADO DCHA CONCEPT	CONCEPT RIGHT RINSING BRANCH	2								
17B	12113596	RAMA ACLARADO IZDA COMPLETA	CONCEPT LEFT RINSING BRANCH	2								
17C	12024470	SOPORTE RAMAS ACLARAD.COM	RINSING BRANCH SUPPORT	2								
17D	12024252	TOBERA ACLARADO	RINSING NOZZLE	12								
18	12112480	EJE LAVADO CAPOTA CONCEPT	WASHING SHAFT	2								
19	12113893	EJE ACLARADO CAPOTA CONCEPT	RINSING SHAFT CONCEPT	2								
20	12009829	TORNILLO ESPECIAL INOX M5X7MM	SPECIAL SCREW M5X7MM	2								
21	12041629	PROTECTOR FUGAS	LEAKAGE PROTECTOR	2								
22	12047655	CODO IMPULSION CO90	CO90 EXPULSION ELBOW	1								
23	12023558	"T" IMPULSION DE PLASTICO	PLASTIC EXPULSION "T"	1								
24	12045979	ARBOL LAVADO 1 BOMBA	1 PUMP WASHING TREE	1								

Зип Общепит

vsezip.ru


+7(812)987-08-81



Зип Общепит

vsezip.ru

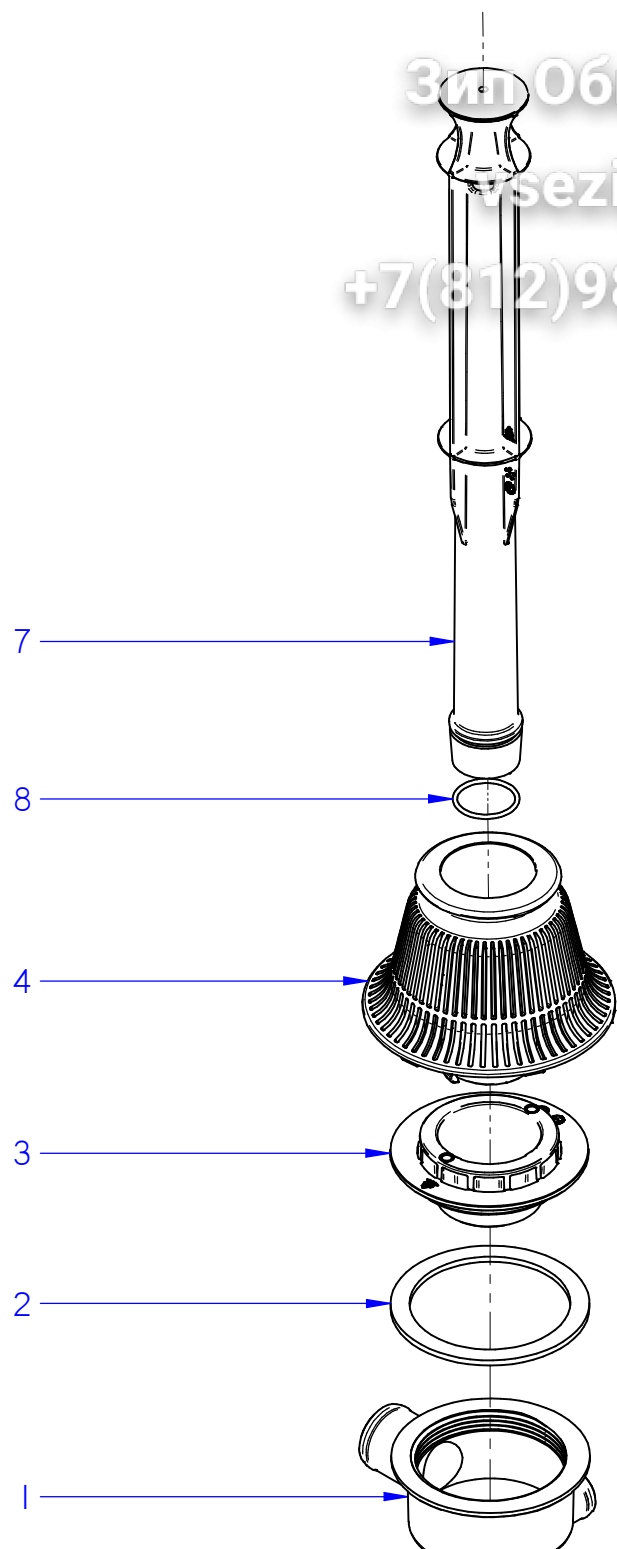
+7(812)987-08-81

ZONA / ZONE		KIT DOSIFICADOR DETERGENTE / DETERG. DISPENSER KIT				LÁMINA / DRAWING	C-3296	FAGOR 			
ITEM	REFERENCIA REFERENCE	DENOMINACIÓN	DENOMINATION	CO-110-83 DD				RECOMMENDED	ELIMINADO ELIMINATED	INTRODUCIDO INTRODUCED	NOTAS / NOTES
	19022347	KIT DOSIFICADOR DETERGENTE EVO	DETERGENT DISPENSER KIT EVO								
1	12024216	DOSIF. DGTE REGULABLE G300	DETERG. REGUL. DISPENSER	1				X			
2	12120598	SOP. DOSIFICADORES CAPOTA	DISPENSERS SUPPORT	1							CAPOTA - PASS-THOUGH
2	12046465	SOPORTE BOMBA PERISTALTICA	PERISTALTIC PUMP SUPPORT	1							LAVAVASOS 400
2	12049139	SOPORTE DOS. DETERGENTE 12	DISPENSERS SUPPORT	1							LAVAVASOS 350
2	12102040	SOP. DOSIF. DETERGENTE AF	DISPENSERS SUPPORT FRONT LOAD.	1							AP.FRONTAL - FRONT LOADING
3	12011355	FILTRO ASPIRACION	SUCTION FILTER	1							
4	12024139	CONDUCTO ASPIRACIÓN AZKOY	AZKOY SUCTION PIPE	1							
5	12024353	PESO FILTRO	FILTER'S WEIGHT	1							
6	12024531	INYECTOR DETERGENTE INOX	DETERGENT INJECTOR	1							
7	11000079	CONDUCTO DOSIF. TRANSP 6X4	DISPENSER TRANSPARENT PIPE	1							
8	12023707	BRIDA ELASTICA TUBO	ELASTIC CLAMP FOR PIPES	1							
	12024314	CABLEADO DOSIF. DETERGENTE	DETERGENT DISPENSER WIRING	1							

Зип Общепит

tsezip.ru

+7(812)987-08-81



vsezip.ru

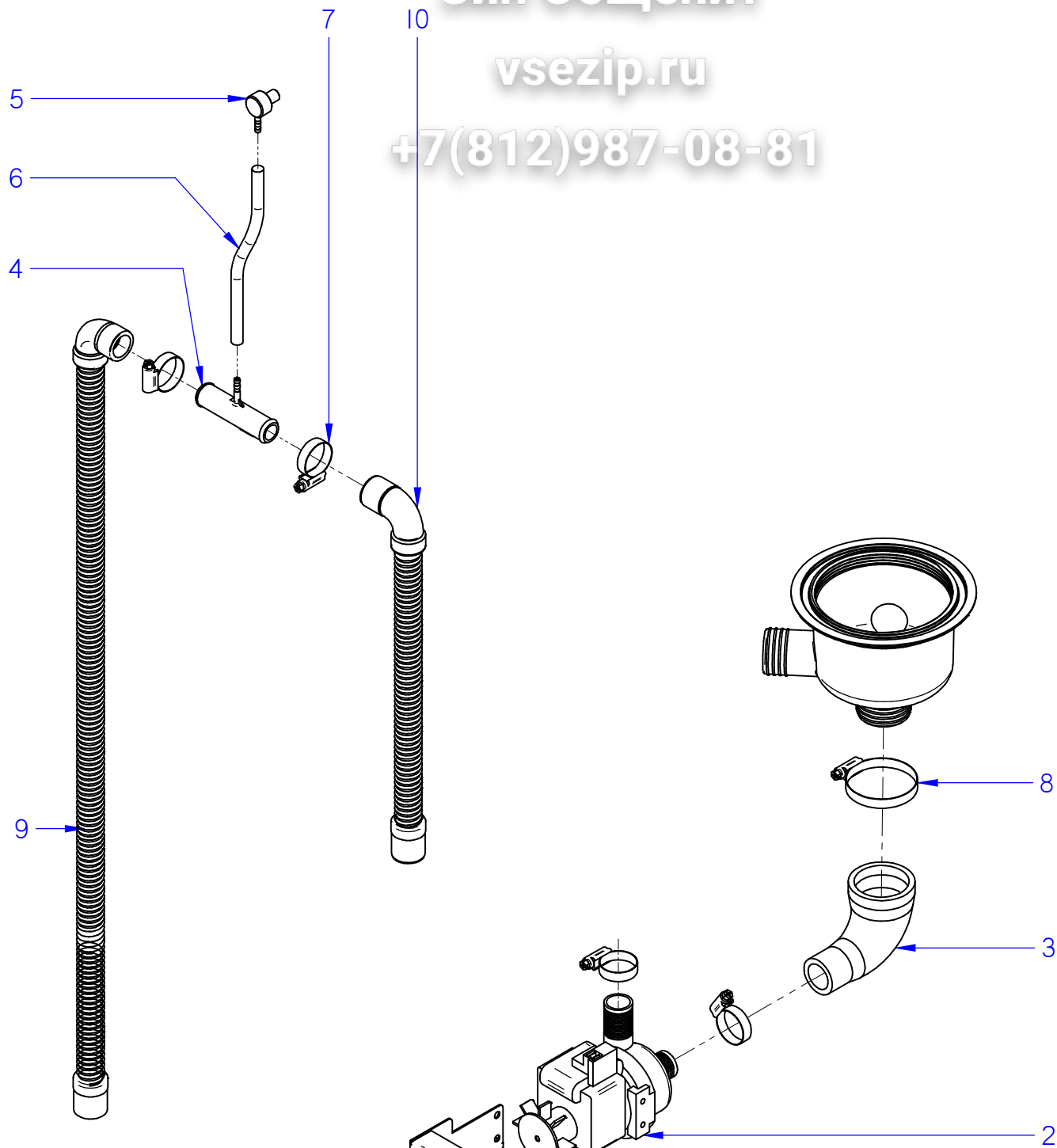
+7(812)987-08-81

ITEM	REFERENCIA REFERENCE	DENOMINACIÓN	DENOMINATION	CO-09	CO-170									RECOMMENDED	ELIMINADO ELIMINATED	INTRODUCIDO INTRODUCED	NOTAS / NOTES
1	12048607	CUBETA 1 BOMBA CAPOTA	PASS-THROUGH PAIL 1 PUMP	1	-												
1	12048037	CUBETA 2 BOMBAS CAPOTA	PASS-THROUGH PAIL 2 PUMPS	-	1												
2	12048717	JUNTA TORICA O-126.35X5.33	O-RING O-126.35X5.33	1	1												
3	12048039	AMARRE CUBETA CAPOTA	PASS-THROUGH PAIL FASTENING	1	1												
4	12049652	FILTRO COMPLETO CONCEPT	COMPLETE FILTER CONCEPT	1	1												
5	12024473	MANGUERA DESAGÜE	DRAINING PIPE	1	1								X				
6	12009962	ABRAZADERA 40-60	40-60 CLAMP	1	1												
7	12120611	ALIVIADERO CONCEPT CAPOTA	PASSTHROUGH CONCEPT SPILLWAY	1	1												
8	12048748	JUNTA TÓRICA ALIVIADERO 37-32-2.5	SPILLWAY O-RING 37-32-2.5	1	1												

Зип Ощепит

vsezip.ru

+7(812)987-08-81



Зип Общепит

ZONA / ZONE **KIT BOMBA DESAGÜE / DRAINING PUMP KIT**

LÁMINA / DRAWING

C-3298

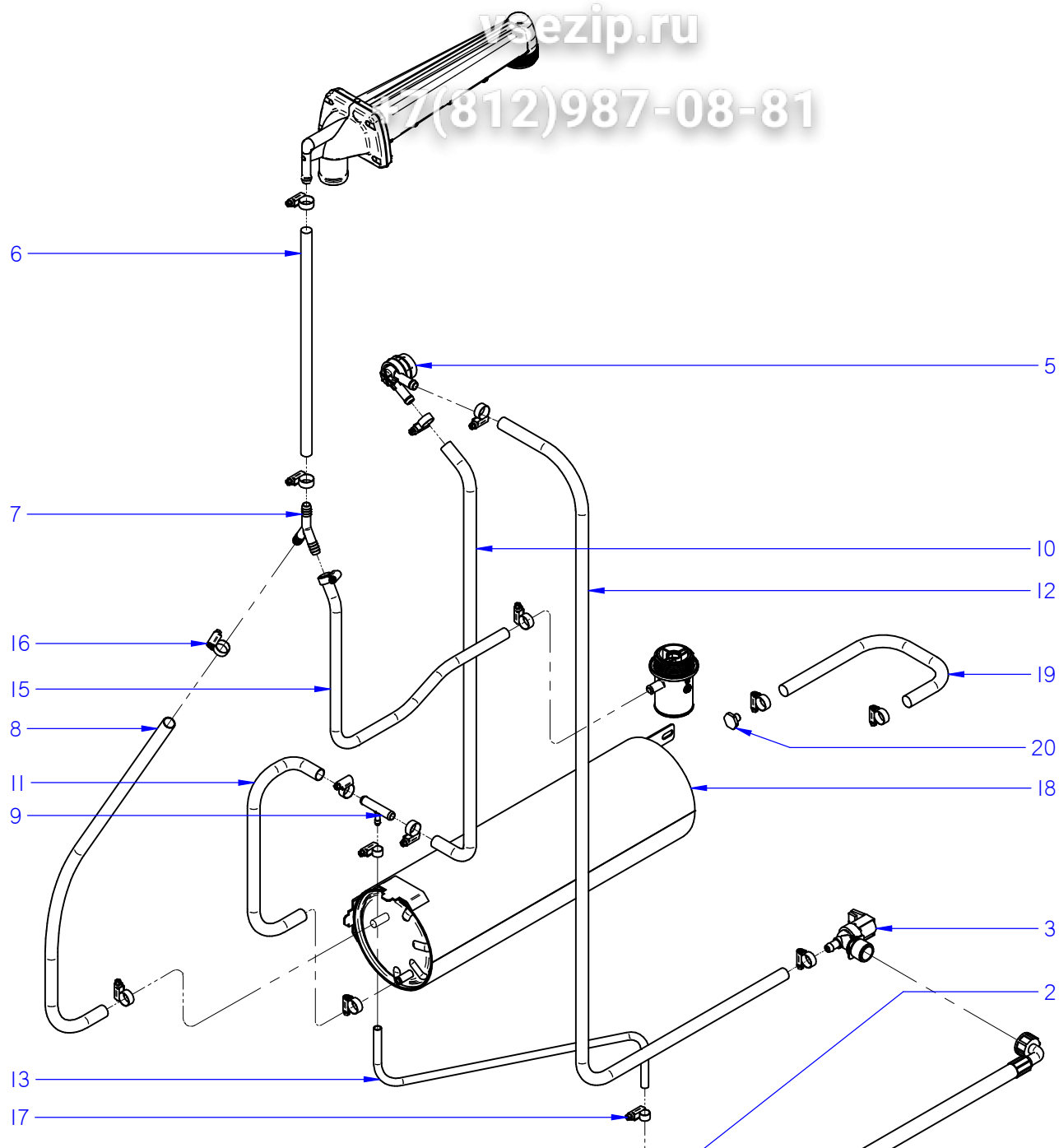


ITEM	REFERENCIA REFERENCE	DENOMINACIÓN	DENOMINATION	CO-1100 B																NOTAS / NOTES
	19022349	KIT BOMBA DESAGÜE CONCEPT	CONCEPT DRAINING PUMP KIT																	
1	12096889	SOPORTE BOMBA CONCEPT	DRAINING PUMP'S SUPPORT	1																
2	12023456	BOMBA DESAGUE	DRAINING PUMP	1								X								
3	12049606	CODO BOMBA DESAGÜE	DRAINING PUMP'S ELBOW	1																
4	12041519	EMPALME DESAGÜE	DRAINING JOINT	1																
5	12024531	INYECTOR DETERGENTE INOX	DETERGENT INJECTOR	1																
6	11000083	TUBO GOMA NEGRA D 17x10	D 17x10 BLACK RUBBER PIPE	1																
7	12010023	ABRAZADERA 20-32	20-32 CLAMP	4																
8	12009962	ABRAZADERA 40-60	40-60 CLAMP	1																
9	12041934	MANGUERA DESAGÜE	DRAINING PIPE	1								X								
10	12041936	MANGUERA DESAGÜE	DRAINING PIPE	1																

Зип Ощепит

vsezip.ru

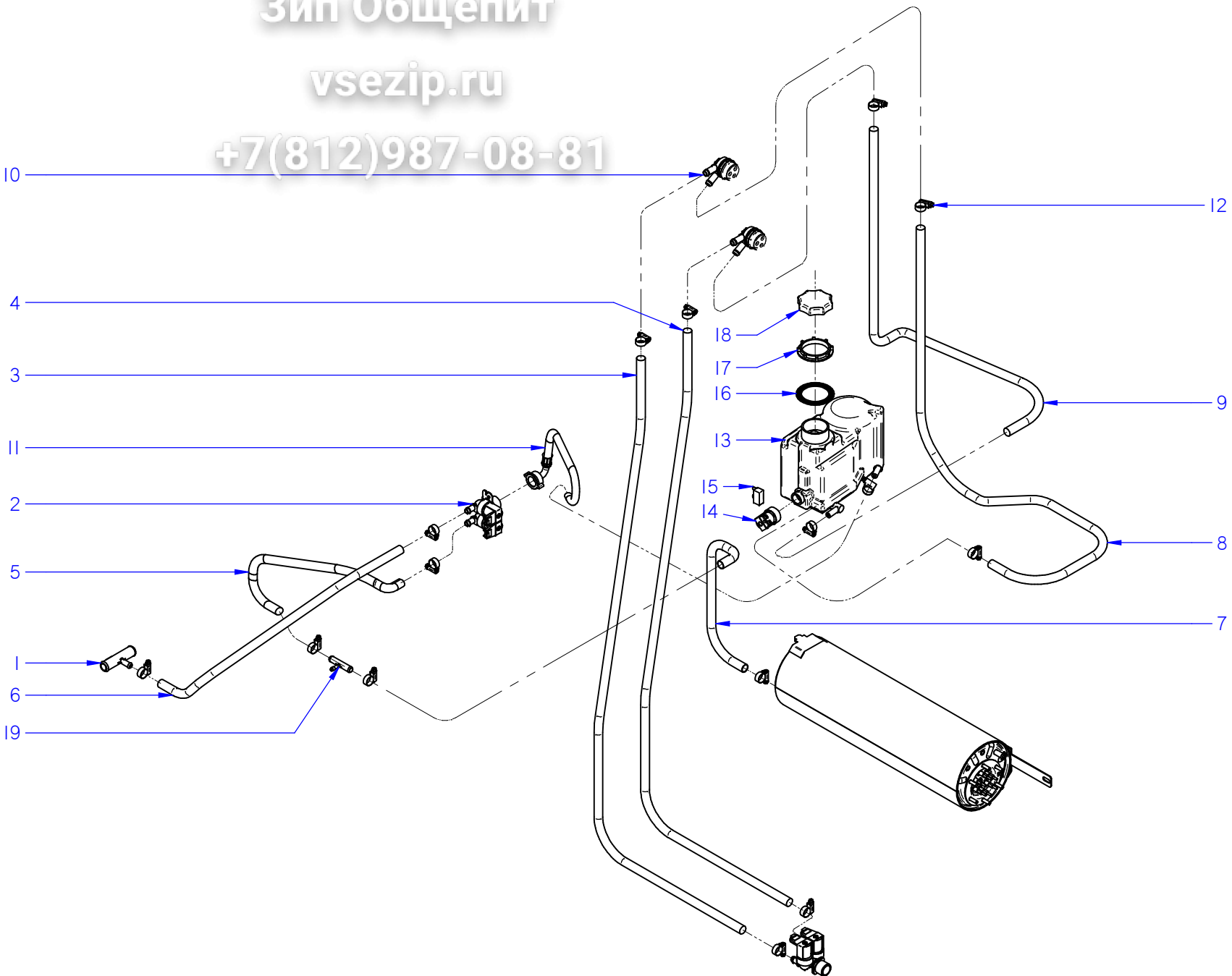
7(812)987-08-81



Зип Общепит

vsezip.ru

+7(812)987-08-81



ITEM MARCADO EN COLOR = REPUESTO RECOMENDADO
COLOURED ITEM = RECOMMENDED SPARE PART

N plano / Drawing N.
C-3300

Firma /
Signature
Ivan R.

Fecha / Date
2014-10

Aparato / Appliance
LAVAVAJILLAS CO-170 SOFT DISHWASHER

DESCALIFICADOR / SOFTENER


Lamina / Sheet
9

Fagor Industrial S. Coop. **FAGOR**



Зип Общепит

ZONA / ZONE CONJUNTO ELECTRICO / ELECTRICAL PART

LÁMINA / DRAWING C-3301 FAGOR 

vsezip.ru

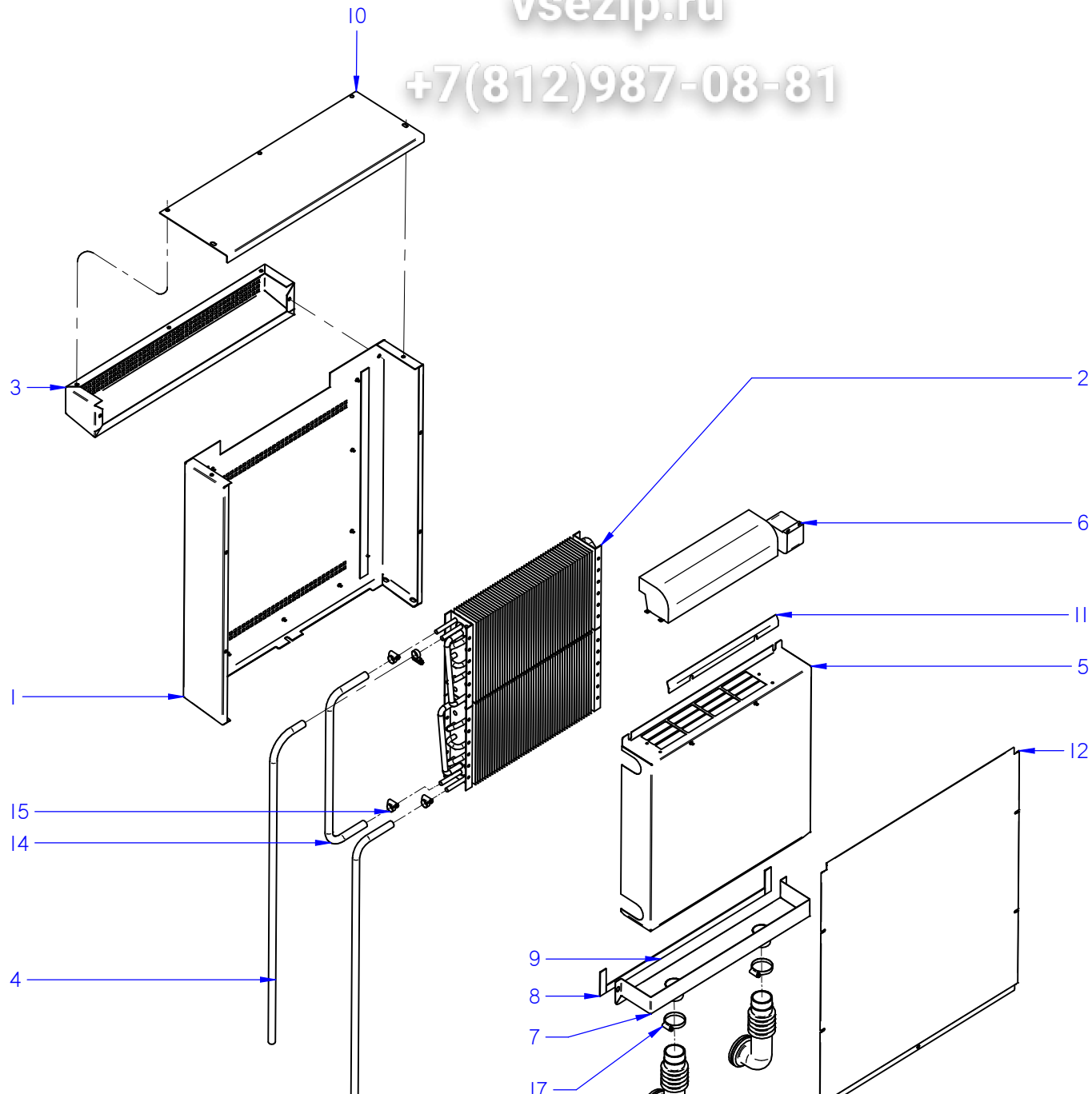
+7(812)987-08-81

ITEM	REFERENCIA REFERENCE	DENOMINACIÓN	DENOMINATION	CO-170	CO-170	CO-170 SOFT					RECOMMENDED	ELIMINADO ELIMINATED	INTRODUCIDO INTRODUCED	NOTAS / NOTES
1	12120601	BASE CAJA CONEXIONES	CONNECTIONS BOX BASE	1	1	1								
2	12009927	PRESA ESTOPAS PG-21	PG-21 CABLE GLAND	1	1	1								
3	12023373	BORNES 10 WDU-10203.O	10 WDU-10203.O TERMINAL	3	3	3								
4	12025224	BORNA DE PASO AZUL	BLUE TERMINAL	2	2	2								
5	12024743	BORNE TIER 10 WPE-10103.O	EARTH TERMINAL	1	1	1								
6	12025180	REGLETA BORNAJE 2 PISOS	2 LEVEL CONNECTION STRIP	2	2	2								
7	12025158	BORNAS PORTA FUSIBLES	FUSE HOLDER TERMINALS	2	2	2								
8	12024199	TOPE FINAL	FINAL END	1	1	1								
9	12103361	CONECTOR 2 VIAS 10mm 57A	2 WAY CONNECTOR 57A	3	3	3								
10	12103535	SOP. CONECTORES 2 VIAS	2 WAY CONNECTOR'S SUPP.	1	1	1								
11	12093675	PRESOSTAT. DOBLE 125/20-190/165	125/20-190/165 PRESSURE SWITCH	1	1	1					X			
12	11000066	TUBO GOMA NEGRO D 8x4	D 8x4 BLACK RUBBER PIPE	1	1	1								
13	12023707	BRIDA ELASTICA TUBO	ELASTIC CLAMP FOR PIPES	2	2	2								
14	12096597	TERM. SEG. 261B 110°C FAST 90	SEC. THERM. 261B 110°C FAST 90	1	1	1					X			
15	12047752	BASE CUADRO ELECTRICO	ELECTRIAL PANEL'S BASE	1	1	1								
16	12111795	CONTACTOR 230V 4VIAS UL	230V 4WAY UL CONTACTOR	2	-	-					X			
16	12024040	CONTACTOR 230V 4VIAS UL	230V 4WAY UL CONTACTOR	-	2	2					X			
16A	12123408	KIT CONTACTOR AUXILIAR 400V UL	KIT AUXILIARY CONTACTOR 400V UL	-	1	1					X			
17	12024011	CONTACTOR 16A 4VIA UL	16A 4VIA CONTACTOR UL	1	2	2					X			
18	12024012	CONTACTOR 16A 4VIA UL	16A 4VIA CONTACTOR UL	1	1	1					X			
19	12024477	INTERRUPTOR MAGNETICO	MAGNETIC SWITCH	1	1	1					X			
20	12024066	AMARRE INTERRUPT. MAGNETICO	MAGNETIC SWITCH'S SUPPORT	1	1	1								
21	12096628	PROGRAMADOR 5 LEVAS 50HZ	5 CAM PROGRAMMER 50HZ	1	-	-					X			
21	12092148	PROGRAMADOR 5 LEVAS 50HZ	5 CAM PROGRAMMER 50HZ	-	1	1					X			
22	12024867	PROGRAMADOR REGENERACIÓN	SOFTENER PROGRAMMER	-	-	1					X			
23	11000162	CANALETA 60.30.77	60.30.77 CABLE CONDUIT	3	3	3								
24	12093146	CAMPANA TANQUE	TUB'S PRESSURE CHAMBER	1	1	1					X			
25	12093145	JUNTA TORICA CAMPANA	PRESSURE CHAMBER'S O-RING	1	1	1								
26	12115975	CONJUNTO MANDO CAPOTA	KNOB ASSEMBLED	1	1	1					X			
27	12087178	PILOTO BLANCO	WHITE PILOT	3	3	4								
28	12024932	CONMUTADOR 7 POSICIONES	7 POS. SWITCH FOR FUNCTIONS	1	1	1					X			
29	12049688	SOPORTE CONMUTADOR CONCEPT	SWITCH FOR FUNCTIONS SUPPORT	1	1	1								

Зип Ощепит

vsezip.ru

+7(812)987-08-81



Зип Общепит

ZONA / ZONE VARIOS / VARIOUS

LÁMINA / DRAWING




vsezip.ru


+7(812)987-08-81

ITEM	REFERENCIA REFERENCE	DENOMINACIÓN	DENOMINATION	CO-170	CO-170	CO-170 SOFT	CO-170 HRS				RECOMMENDED	ELIMINADO ELIMINATED	INTRODUCIDO INTRODUCED	NOTAS / NOTES
12009946	CABLEADO TENSOR	TENSIONER WIRING		1	1	1	1							
12119239	CABL. HRS CO, COP, W, 120, 80 UL	HRS CO, COP, W, 120, 80 UL WIRING		-	-	-	1							
12119744	INSTALACIÓN ELÉCTR CO, 120, 80, B	CO, 120, 80, B ELECTRICAL WIRING		1	1	-	1							
12117380	CABL. RESIST.+DIODO PARA LED	RESIS.+DIODE FOR LED WIRING		3	3	4	3							
12119762	CABLEADO CO SOFT, 120, 80	CO SOFT, 120, 80 WIRING		-	-	1	-							

Зип Общепит

vsezip.ru


ZONA / ZONE		RECOMENDADOS / RECOMMENDED								LÁMINA / DRAWING				FAGOR 	
ITEM	REFERENCIA REFERENCE	DENOMINACIÓN	DENOMINATION	CO-110 B	CO-110 B DD	CO-110 B	CO-110 B DD					ELIMINADO ELIMINATED	INTRODUCIDO INTRODUCED	NOTAS / NOTES	
2	12043287	MOTOBOMBA 590KW 50Hz	WASHIG PUMP 590KW 50Hz	1	1	1	1							C-3294	
2	12102834	MOTOBOMBA 590KW 60Hz	WASHIG PUMP 590KW 60Hz	1	1	1	1							C-3294	
7	12024376	CONDENSADOR 10MF	10MF CONDENSER	1	1	1	1							C-3294	
1	12024216	DOSIF. DGTE REGULABLE G300	DETERG. REGUL. DISPENSER	-	1	-	1							C-3296	
5	12024473	MANGUERA DESAGÜE	DRAINING PIPE	1	1	-	-							C-3297	
2	12023456	BOMBA DESAGUE	DRAINING PUMP	-	-	1	1							C-3298	
9	12041934	MANGUERA DESAGÜE	DRAINING PIPE	-	-	1	1							C-3298	
1	12045206	DOSIFICADOR ABRILL. AQUA	AQUA RINSE AID DISPENSER	1	1	1	1							C-3299	
3	12095427	E.V SIMPLE 220V SALIDA A 90º	SIMPLE E.V 90º EXIT	1	1	1	1							C-3299	
5	12024568	VALVULA ANTIRRETORNO	NON-RETURN VALVE	1	1	1	1							C-3299	
11	12093675	PRESOSTAT. DOBLE 125/20-190/165	125/20-190/165 PRESSURE SWITCH	1	1	1	1							C-3301	
14	12096597	TERM. SEG. 261B 110ºC FAST 90	SEC. THERM. 261B 110ºC FAST 90	1	1	1	1							C-3301	
16	12111795	CONTACTOR 230V 4VIAS UL	230V 4WAY UL CONTACTOR	2	2	2	2							C-3301	
17	12024011	CONTACTOR 16A 4VIA UL	16A 4VIA CONTACTOR UL	1	1	1	1							C-3301	
18	12024012	CONTACTOR 16A 4VIA UL	16A 4VIA CONTACTOR UL	1	1	1	1							C-3301	
19	12024477	INTERRUPTOR MAGNETICO	MAGNETIC SWITCH	1	1	1	1							C-3301	
21	12096628	PROGRAMADOR 5 LEVAS 50HZ	5 CAM PROGRAMMER 50HZ	1	1	1	1							C-3301	
24	12093146	CAMPANA TANQUE	TUB'S PRESSURE CHAMBER	1	1	1	1							C-3301	
26	12115975	CONJUNTO MANDO CAPOTA	KNOB ASSEMBLED	1	1	1	1							C-3301	
28	12024932	CONMUTADOR 7 POSICIONES	7 POS. SWITCH FOR FUNCTIONS	1	1	1	1							C-3301	
31	12097696	EMBELLECEDOR CO-110	CO-110 STICKER	1	1	1	1							C-3301	
32	12045886	RESISTENCIA 4,5KW TRIPLE	TRIPLE RESISTOR 4,5KW	1	1	1	1							C-3301	
34	12023830	LIMITADOR TECASA 125ºC	TECASA THERMOSTAT 125ºC	1	1	1	1							C-3301	
36	12040858	TERMOSTATO 16A 85ºC 6MM	THERMOSTAT 16A 85ºC 6MM	2	2	2	2							C-3301	
39	12024732	RESISTENCIA CALDERIN COMPLETA	COMPLETE BOILER RESISTOR	1	1	1	1							C-3301	
40	12010051	JUNTA TÓRICA RESIS. CALDERIN	BOILER RESISTOR'S O-RING	1	1	1	1							C-3301	

ZONA / ZONE		RECOMENDADOS / RECOMMENDED										LÁMINA / DRAWING			FAGOR 
ITEM	REFERENCIA REFERENCE	DENOMINACIÓN	DENOMINATION	CO-170 A	CO-170 B DD	CO-170 B	CO-170 B DD	CO-170 SOFT	CO-170 HRS	CO-170 HRS DD	CO-170 HRS SOFT	ELIMINADO ELIMINATED	INTRODUCIDO INTRODUCED	NOTAS / NOTES	
2	12043287	MOTOBOMBA 590KW 50Hz	WASHIG PUMP 590KW 50Hz	2	2	2	2	2	2	2	2			C-3294	
2	12102834	MOTOBOMBA 590KW 60Hz	WASHIG PUMP 590KW 60Hz	2	2	2	2	2	2	2	2			C-3294	
7	12024376	CONDENSADOR 10MF	10MF CONDENSER	2	2	2	2	2	2	2	2			C-3294	
1	12024216	DOSIF. DGTE REGULABLE G300	DETERG. REGUL. DISPENSER	-	1	-	1	-	-	1	-			C-3296	
5	12024473	MANGUERA DESAGÜE	DRAINING PIPE	1	1	-	-	1	1	1	1			C-3297	
2	12023456	BOMBA DESAGUE	DRAINING PUMP	-	-	1	1	-	-	-	-			C-3298	
9	12041934	MANGUERA DESAGÜE	DRAINING PIPE	-	-	1	1	-	-	-	-			C-3298	
1	12045206	DOSIFICADOR ABRILL. AQUA	AQUA RINSE AID DISPENSER	1	1	1	1	1	1	1	1			C-3299	
3	12095427	E.V SIMPLE 220V SALIDA A 90º	SIMPLE E.V 90º EXIT	1	1	1	1	-	1	1	-			C-3299	
5	12024568	VALVULA ANTIRRETORNO	NON-RETURN VALVE	1	1	1	1	2	1	1	2			C-3299	
2	12110531	E.V.DOBLE 220/240V 50/60Hz	DOUBLE EV 220/240V 50/60Hz	-	-	-	-	2	-	-	2			C-3300	
13	12044603	DESCALDIFICADOR COMPLETO	COMPLETE SOFTENER	-	-	-	-	1	-	-	1			C-3300	
11	12093675	PRESOSTAT. DOBLE 125/20-190/165	125/20-190/165 PRESSURE SWITCH	1	1	1	1	1	1	1	1			C-3301	
14	12096597	TERM. SEG. 261B 110°C FAST 90	SEC. THERM. 261B 110°C FAST 90	1	1	1	1	1	1	1	1			C-3301	
16	12024040	CONTACTOR 230V 4VIAS UL	230V 4WAY UL CONTACTOR	2	2	2	2	2	2	2	2			C-3301	
16A	12123408	KIT CONTACTOR AUXILIAR 400V UL	KIT AUXILIARY CONTACTOR 400V UL	1	1	1	1	1	1	1	1			C-3301	
17	12024011	CONTACTOR 16A 4VIA UL	16A 4VIA CONTACTOR UL	2	2	2	2	2	2	2	2			C-3301	
18	12024012	CONTACTOR 16A 4VIA UL	16A 4VIA CONTACTOR UL	1	1	1	1	1	1	1	1			C-3301	
19	12024477	INTERRUPTOR MAGNETICO	MAGNETIC SWITCH	1	1	1	1	1	1	1	1			C-3301	
21	12092148	PROGRAMADOR 5 LEVAS 50HZ	5 CAM PROGRAMMER 50HZ	1	1	1	1	1	1	1	1			C-3301	
22	12024867	PROGRAMADOR REGENERACIÓN	SOFTENER PROGRAMMER	-	-	-	-	1	-	-	1			C-3301	
24	12093146	CAMPANA TANQUE	TUB'S PRESSURE CHAMBER	1	1	1	1	1	1	1	1			C-3301	
26	12115975	CONJUNTO MANDO CAPOTA	KNOB ASSEMBLED	1	1	1	1	1	1	1	1			C-3301	
28	12024932	CONMUTADOR 7 POSICIONES	7 POS. SWITCH FOR FUNCTIONS	1	1	1	1	1	1	1	1			C-3301	
31	12101764	EMBELLECEDOR CO-120 B	CO-120 B STICKER	1	1	1	1	-	1	1	-			C-3301	
31	12101761	EMBELLECEDOR CO-120 SOFT	CO-120 SOFT STICKER	-	-	-	-	1	-	-	1			C-3301	
32	12045886	RESISTENCIA 4,5KW TRIPLE	TRIPLE RESISTOR 4,5KW	1	1	1	1	1	1	1	1			C-3301	
34	12023830	LIMITADOR TECASA 125°C	TECASA THERMOSTAT 125°C	1	1	1	1	1	1	1	1			C-3301	
36	12040858	TERMOSTATO 16A 85°C 6MM	THERMOSTAT 16A 85°C 6MM	2	2	2	2	2	2	2	2			C-3301	
39	12024146	RESISTENCIA CALDERIN COMPLETA	COMPLETE BOILER RESISTOR	1	1	1	1	1	1	1	1			C-3301	
40	12010051	JUNTA TÓRICA RESIS. CALDERIN	BOILER RESISTOR'S O-RING	1	1	1	1	1	1	1	1			C-3301	
41	12115384	PULSADOR 5V DC 5A 1VIA 1POS	5V DC 5A 1WAY 1POS PUSHBUTTON	-	-	-	-	1	-	-	1			C-3301	

Зип Общепит

vsezip.ru

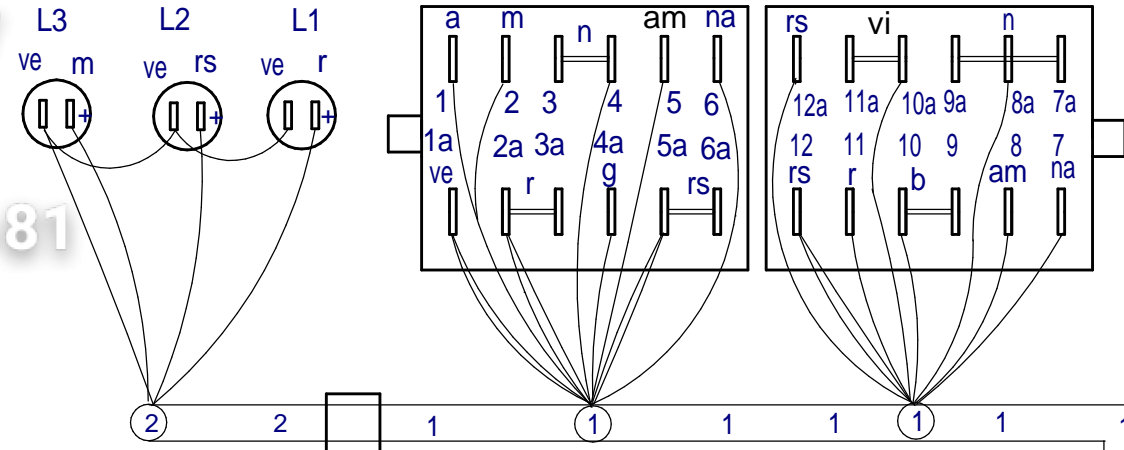
+7(812)987-08-81

ZONA / ZONE		RECOMENDADOS / RECOMMENDED										LÁMINA / DRAWING	FAGOR 	
ITEM	REFERENCIA REFERENCE	DENOMINACIÓN	DENOMINATION	CO-170	CO-170DD	CO-170 B	CO-170 B DD	CO-170 SOFT	CO-170 HRS	CO-170 HRS DD	CO-170 HRS SOFT	ELIMINADO ELIMINATED	INTRODUCIDO INTRODUCED	NOTAS / NOTES
2	12048309	SERPENTIN C.U.	C.U. COOLING COIL	-	-	-	-	-	2	2	2			C-3302

Зип Общежит

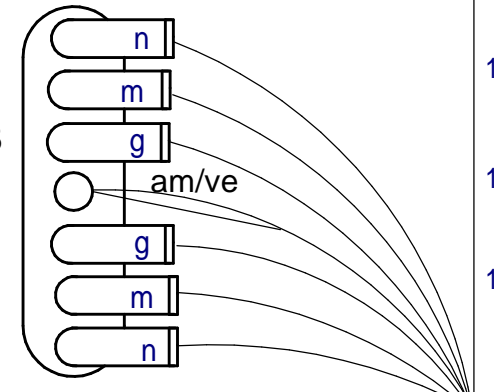
①	12098836
②	12104763
Sin neutro ③	12116869
HRS ④	12048612
Prensa estopas	12009927
Esquema teorico	12103266
Indicador de componentes	12022162
Leyenda	12103338

7(812)987-08-81

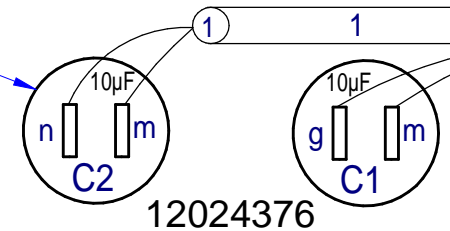


Nota: Todos los cables hembra que queden sin conectar se les colocaran una funda para macho Q-578006

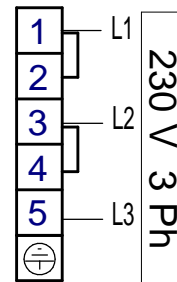
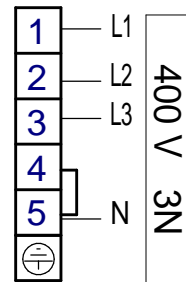
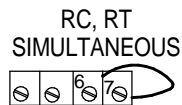
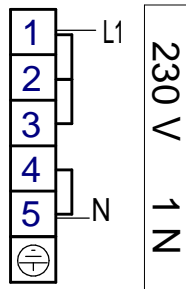
12023778
Rt



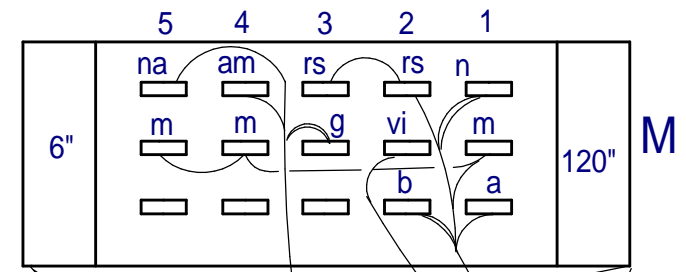
Mod.
120



12024376



12047899 50hz
12047902 60 hz



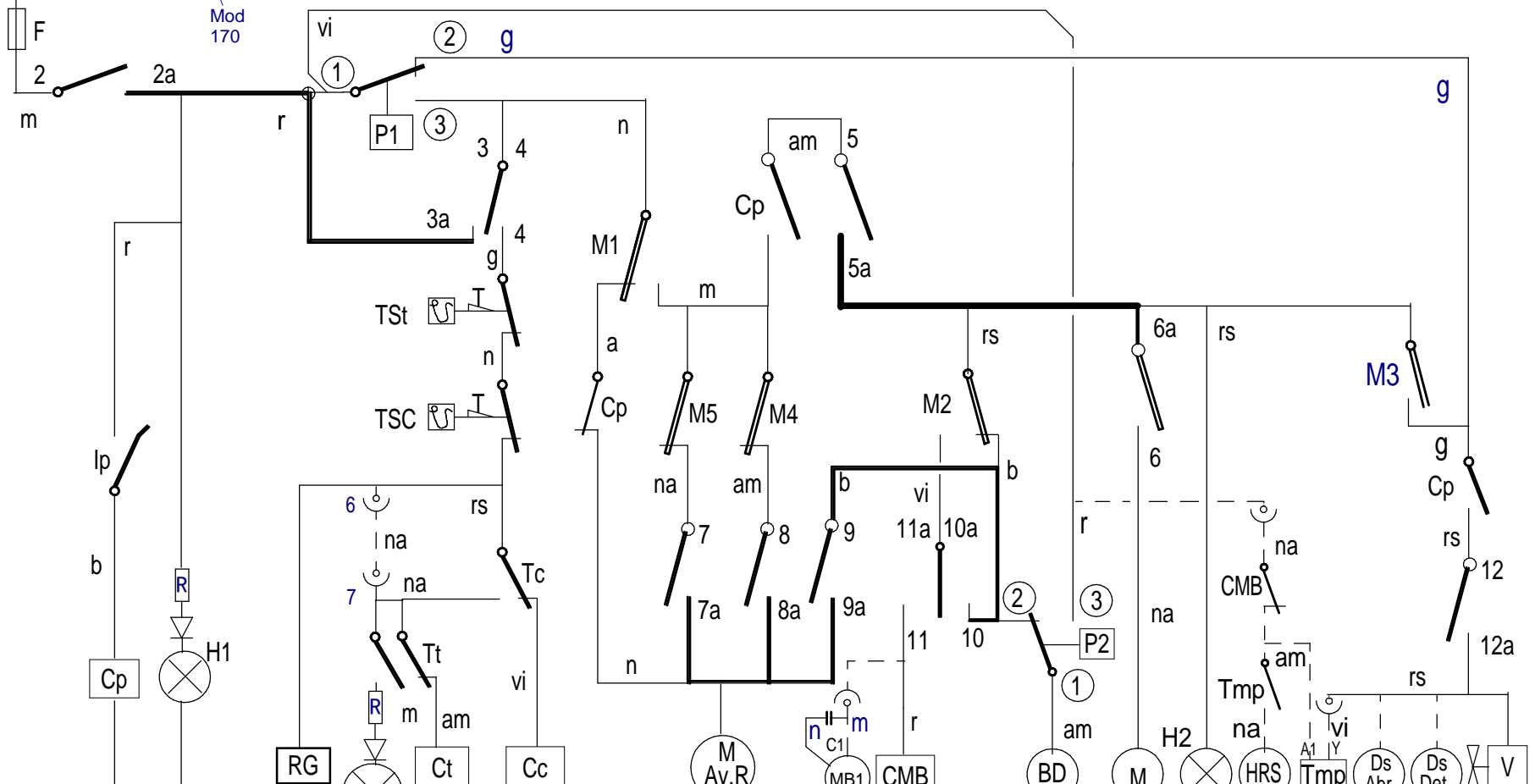
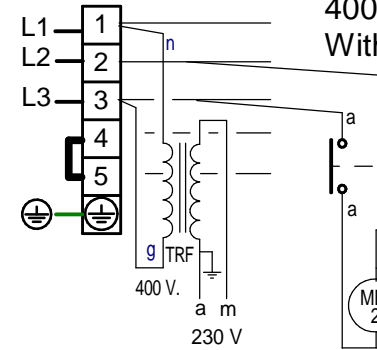
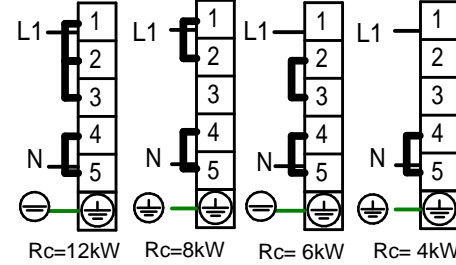
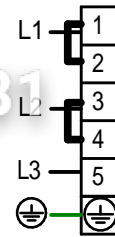
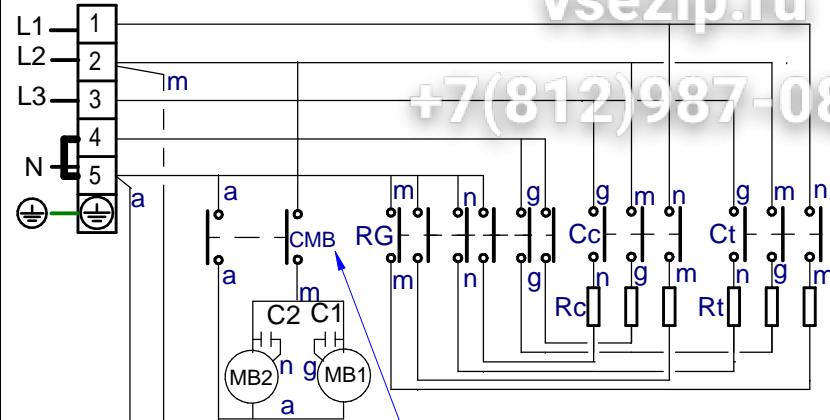
CO, 110, 170, B, DD, HRS, MARINE

400 V. 3N

230 V 3Ph

230 V, 1 N

400 V
With



CO SOFT, 170, DD, HRS

400 V. 3N

230 V 3Ph

230 V, 1 N

