

Зип Общепит

vsezip.ru

DESPIECE TECNICO / SPARE PARTS BOM

+7(812)987-08-81

**Lavadoras
Lava-linge
Washing machines
Waschmaschine
Lavatrici
Máquinas de lavar roupa**

Modelos / Models:

LR-18 M

LA-18 M

LR-25 M

LA-25 M

Noviembre 2010 November

Revisado Septiembre 2015 September Revised

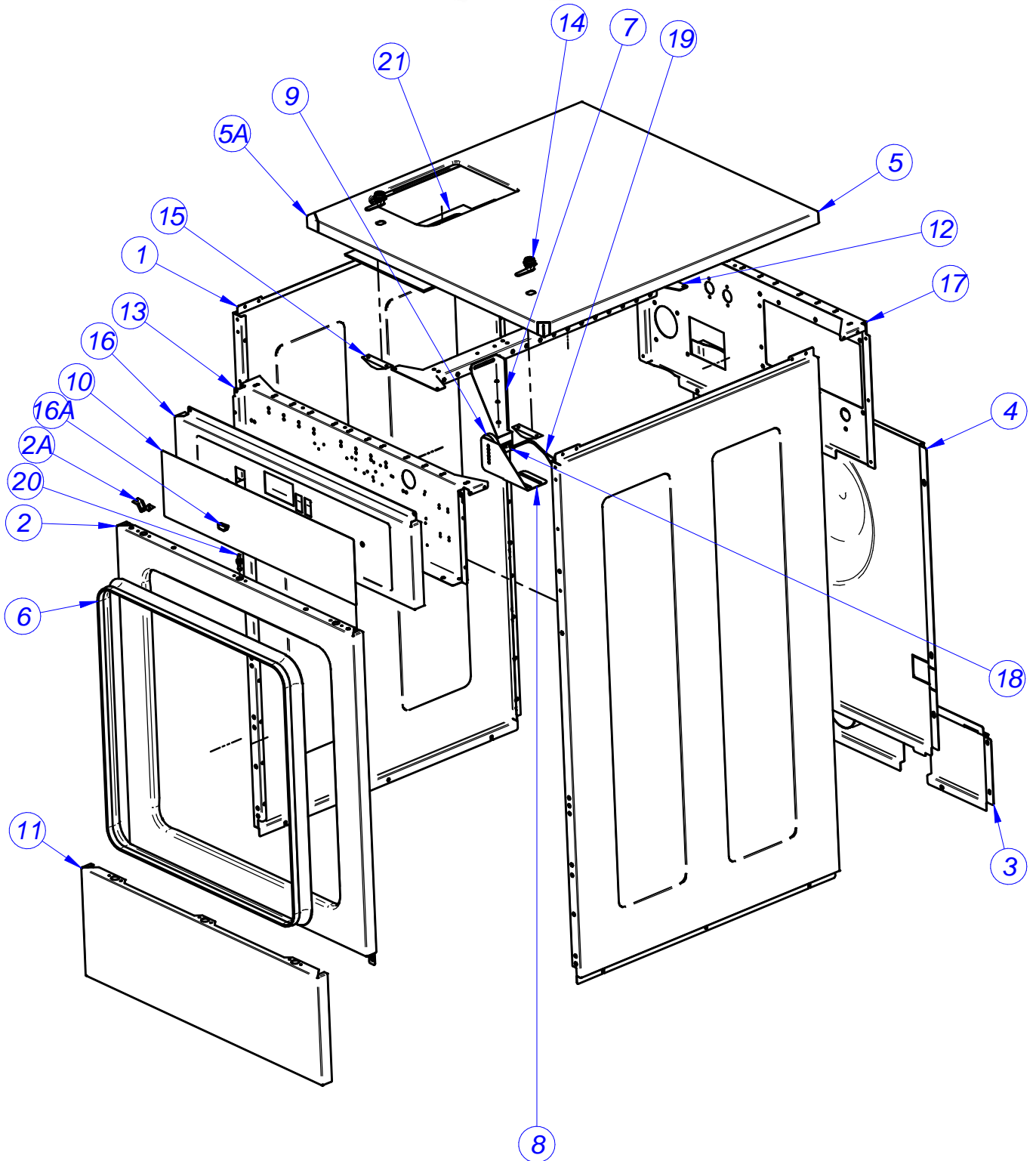
FAGOR 

FAGOR INDUSTRIAL

Зип Общепит

vsezip.ru

+7(812)987-08-81



MUEBLE / CABINET LA/LR-18/25

MUEBLE / CABINET

ITEM	DENOMINACION	NAME	CODIGO	LR-18			LA-18			L
				MP	M	MA	MP	M	MA	
1	PANEL LATERAL	SIDE PANEL	12110322	2	2	2				
			12110880				2	2	2	
			12110874							2
			12110881							
2	PANEL FRONTAL	FRONT PANEL	12116090	1	1	1				
			12116092				1	1	1	1
			12116097							
2A	CIERRE MUELLE	LOCK SPRING	X010503000	6	6	6	6	6	6	6
3	PANEL POSTERIOR DESAGUE	DRAINAGE REAR PANEL	P620306000	1	1	1				
			12044189	1	1	1				
			P630307000				1	1	1	
			P644032000							1
			12044192				1	1	1	1
			P640305000							
4	PANEL POSTERIOR	REAR PANEL	12044190							
			P620382000	1	1	1				
			P630360000				1	1	1	1
5	ENCIMERA	WORKTOP	P640337000							
			P634026000	1	1	1				
			12110888	1	1	1				
			P630358000				1	1	1	
			12110891				1	1	1	
			P644036000							1
			12110890							1
P640335000										
12110889										
5A	CANTONERA R1	R1 CORNER	12039188	2	2	2	2	2	2	2
6	CORTINA (METROS)	CURTAIN (METRES)	P620324000	2,5	2,5	2,5	2,5	2,5	2,5	2,5
7	PORTA SENSOR DESEQ.	IMBALANCE SENSOR HOLDER	P630315000				1	1	1	
8	SOPORTE IMAN DESEQ.	IMBALANCE MAGNET HOLDER	P627063000				1	1	1	
9	IMAN DESEQUILIBRIO	IMBALANCE MAGNET HOLDER	P620337000				1	1	1	
10	ADHESIVO	ADHESIVE	12007721	1			1			1
			12007722		1			1		
			12007719			1			1	
10	ADHESIVO CP FAGOR MA	PC ADHESIVE FAGOR MA	12007741			1			1	
11	ZOCALO	SKIRTING	12111769	1	1	1				
			12116093				1	1	1	1
			12116098							
	KIT ZOCALO 18	ZOCALO KIT 18	1300000197							
	KIT ZOCALO 25	ZOCALO KIT 25	1300000198							

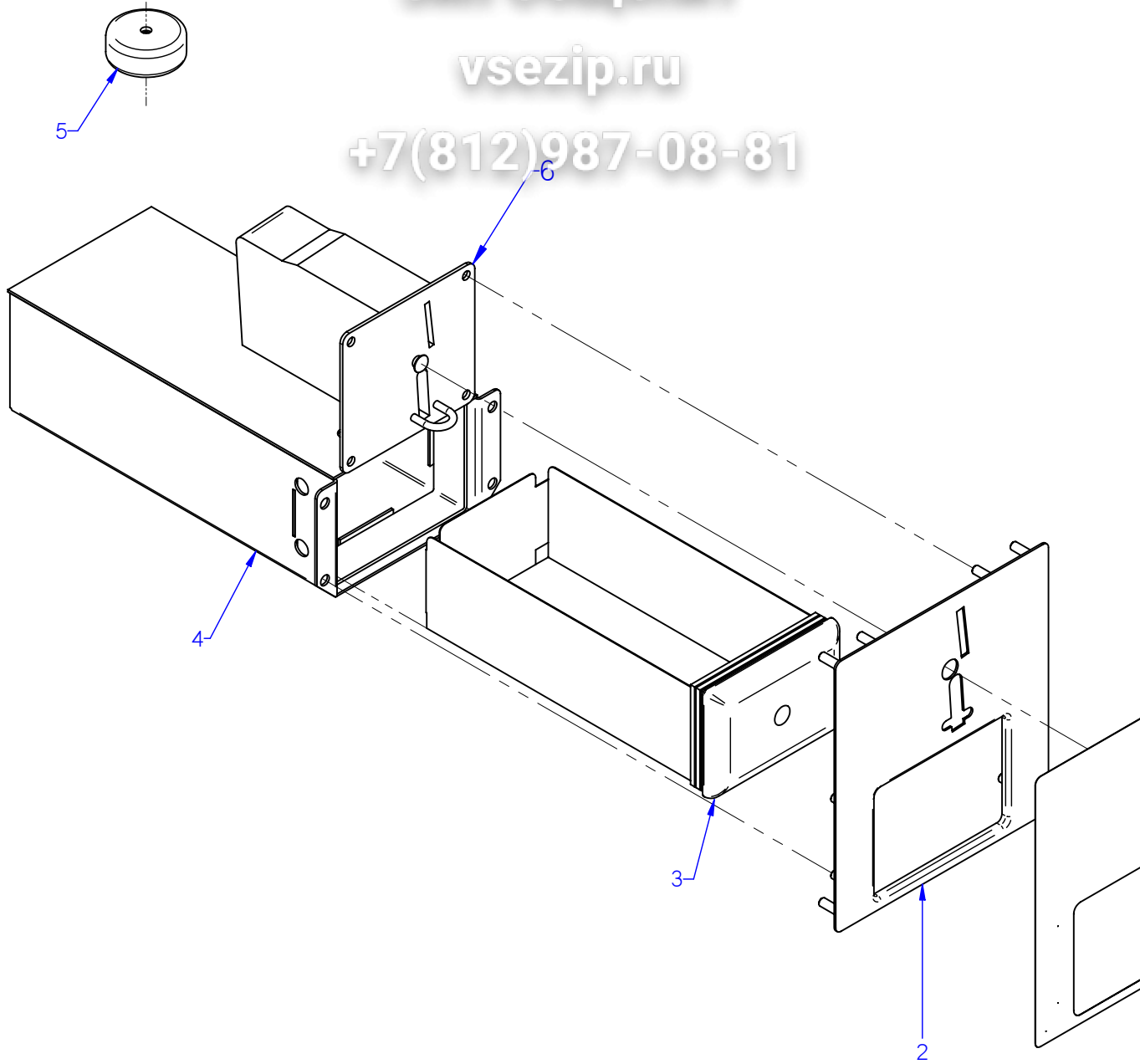
MUEBLE / CABINET

ITEM	DENOMINACION	NAME	CODIGO	LR-18			LA-18			L
				MP	M	MA	MP	M	MA	
12	TRAVESAÑO CUBETERA	TRAY CROSS PIECE	P64025000	2	2	2				
			P630357000				2	2	2	
			P644037000							2
13	CONTRAPORTAMANDOS	COUNTERCONTROL HOLDER	P620373000	1	1					
			P620381000			1				
			P630353000				1	1		1
			P630359000						1	
			P640331000							
			P640336000							
14	CERRADURA	LOCK	P620351000	2	2		2	2		2
			P620387000			2			2	
15	RAMPA CIERRE ENCIMERA	WORKTOP LOCK RAMP	P620379000	2	2	2	2	2	2	2
16	PORTAMANDOS	CONTROL HOLDER	P620374000	1	1					
			P620380000			1				
			P630354000				1	1		1
			P630355000						1	
			P640332000							
			P640333000							
16A	TAPON PUERTO SERIE PROG.	PORT PLUG	12023349	1			1			1
17	SOPORTE ELECTROVALVULAS	SOLENOID VALVE SUPPORT	P620372000	1	1	1				
			P630356000				1	1	1	1
			P640334000							
18	AMARRRE SENSOR DESEQUILIB.	IMBALANCE SENSOR FASTENIN.	Z203010000				1	1	1	
19	SENSOR DESEQUILIBRIO	SENSOR IMBALANCE	Z203009000				1	1	1	
20	PITON	PITON	X012612000	10	10	10	10	10	10	10
21	JUNTA CUBETA	TRAY SEAL	P610360000	1	1	1	1	1	1	1

Зип Общепит

vsezip.ru

+7(812)987-08-81



KIT MONEDERO

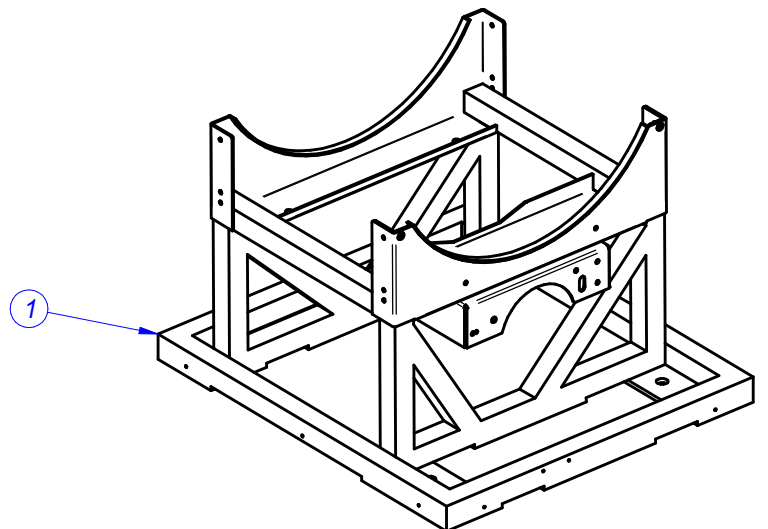
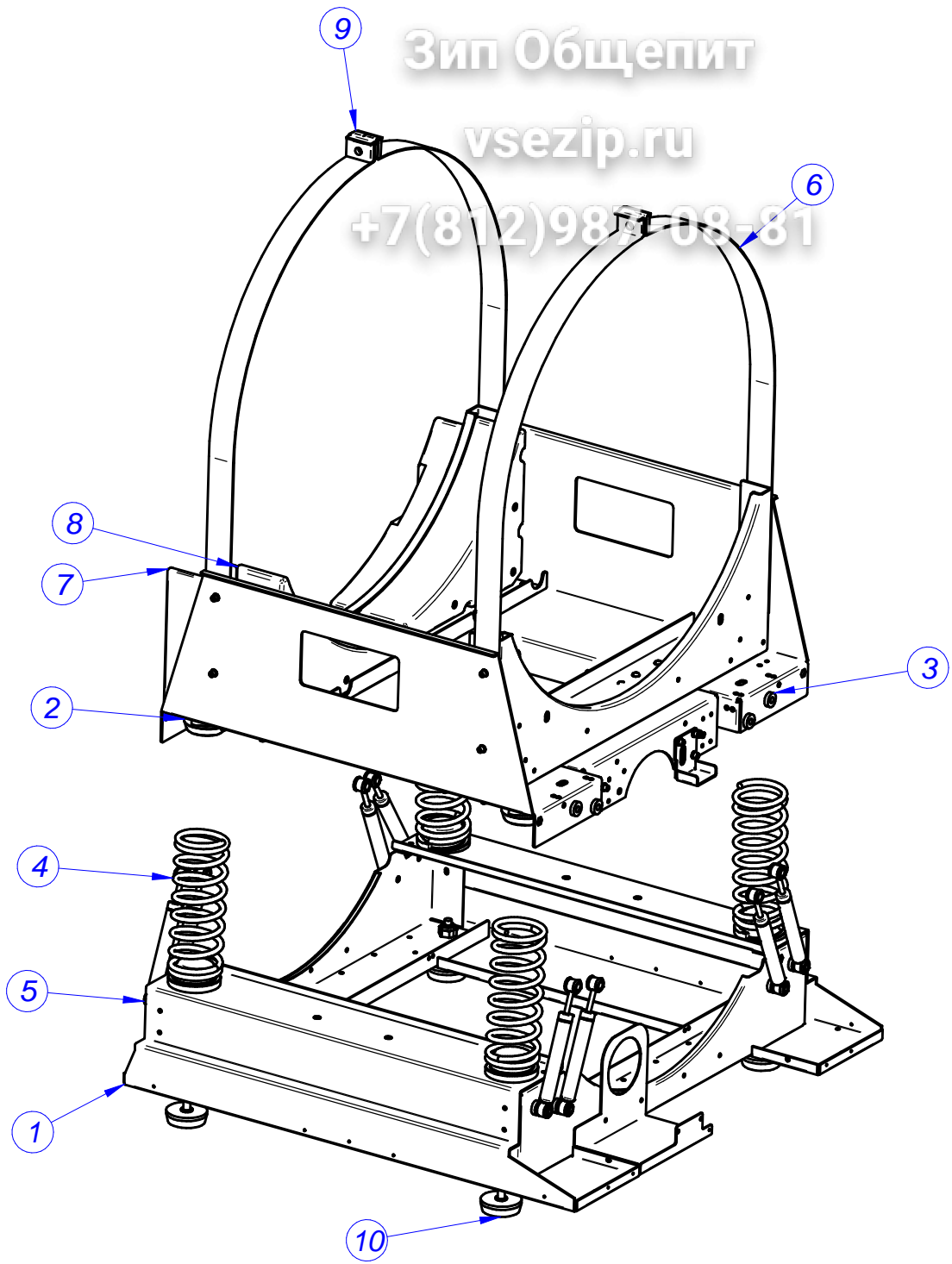
KIT MONEDERO / COIN SLOT KIT

ITEM	DENOMINACION	NAME	CODIGO	LR-18			LA-18			L	
				MP	M	MA	MP	M	MA		
1	ADHESIVO MONEDERO FAGOR	COIN SLOT ADHESIVE FAGOR	12007739			1			1		
2	CHAPA MONEDERO COMPL.	COIN SLOT PLATE COMPL.	12003367			1			1		
S/Nº	TAPA MONEDERO COMPLETA FABR.	COIN SLOT PLATE TOP COMPL.	12095202			1			1		
3	CAJON MONEDAS	COIN DRAWER	P610407000			1			1		
4	PORTA CAJA MONEDAS COMPL.	COIN BOX HOLDER COMPL.	P614011000			1			1		
5	TRANSFORMADOR MONEDERO	COIN SLOT TRANSFORMER	P624014000			1			1		
6	MONEDERO WH (EUR-GBP)	COIN SLOT WH (EUR-GBP)	12023342			1			1		
6	MONEDERO WH (ARS-CLP-BRL)	COIN SLOT WH (ARS-CLP-BRL)	12044494			1			1		
6	MONEDERO WH (AUD-NZD-JPY)	COIN SLOT WH (AUD-NZD-JPY)	12044490			1			1		
6	MONEDERO WH (CNY-TWD-HKD)	COIN SLOT WH (CNY-TWD-HKD)	12044488			1			1		
6	MONEDERO WH (MAD-DZD-TND)	COIN SLOT WH (MAD-DZD-TND)	12044496			1			1		
6	MONEDERO WH (MYR-SGD-IDR)	COIN SLOT WH (MYR-SGD-IDR)	12044489			1			1		
6	MONEDERO WH (RUB-ROB-CZK)	COIN SLOT WH (RUB-ROB-CZK)	12044492			1			1		
6	MONEDERO WH (TRY-PLN)	COIN SLOT WH (TRY-PLN)	12044491			1			1		
6	MONEDERO WH (USD-MXN-CAD)	COIN SLOT WH (USD-MXN-CAD)	12044487			1			1		
6	MONEDERO WH (VEF-PEN-COP)	COIN SLOT WH (VEF-PEN-COP)	12044493			1			1		
	FAGOR KIT MONEDERO EUR-GBP	FAGOR KIT COIN EUR-GBP	19004589								
	FAGOR KIT MONEDERO EUR-GBP	FAGOR KIT COIN 2013 EUR-GBP	19012640	A PARTIR DEL Nº DE SERIE 810006036							
	FAGOR KIT MONEDE. ARS-CLP-BRL	FAGOR KIT COIN ARS-CLP-BRL	19011106								
	FAGOR KIT MONEDE. ARS-CLP-BRL	FAGOR KIT COIN 2013 ARS-CLP-BRL	19012641	A PARTIR DEL Nº DE SERIE 810006036							
	FAGOR KIT MONEDE. AUD-NZD-JPY	FAGOR KIT COIN AUD-NZD-JPY	19004592								
	FAGOR KIT MONEDE. AUD-NZD-JPY	FAGOR KIT COIN 2013 AUD-NZD-JPY	19012642	A PARTIR DEL Nº DE SERIE 810006036							
	FAGOR KIT MONED. CNY-TWD-HKD	FAGOR KIT COIN CNY-TWD-HKD	19004591								
	FAGOR KIT MONED. CNY-TWD-HKD	FAG. KIT COIN 2013 CNY-TWD-HKD	19012643	A PARTIR DEL Nº DE SERIE 810006036							
	FAGOR KIT MONED. MAD-DZD-TND	FAGOR KIT COIN MAD-DZD-TND	19011222								
	FAGOR KIT MONED. MAD-DZD-TND	FAGOR KIT COIN 2013 MAD-DZD-TND	19012644	A PARTIR DEL Nº DE SERIE 810006036							
	FAGOR KIT MONED. MYR-SGD-IDR	FAGOR KIT COIN MYR-SGD-IDR	19011062								
	FAGOR KIT MONED. MYR-SGD-IDR	FAGOR KIT COIN 2013 MYR-SGD-IDR	19012645	A PARTIR DEL Nº DE SERIE 810006036							
	FAGOR KIT MONED. RUB-ROB-CZK	FAGOR KIT COIN RUB-ROB-CZK	19011220								
	FAGOR KIT MONED. RUB-ROB-CZK	FAGOR KIT COIN 2013 RUB-ROB-CZK	19012646	A PARTIR DEL Nº DE SERIE 810006036							
	FAGOR KIT MONEDERO TRY-PLN	FAGOR KIT COIN TRY-PLN	19011104								
	FAGOR KIT MONEDERO TRY-PLN	FAGOR KIT COIN 2013 TRY-PLN	19012647	A PARTIR DEL Nº DE SERIE 810006036							
	FAGOR KIT MONED. USD-MXN-CAD	FAGOR KIT COIN USD-MXN-CAD	19004590								
	FAGOR KIT MONED. USD-MXN-CAD	FAGOR KIT COIN 2013 USD-MXN-CAD	19012648	A PARTIR DEL Nº DE SERIE 810006036							
	FAGOR KIT MONED. VEF-PEN-COP	FAGOR KIT COIN VEF-PEN-COP	19011221								
	FAGOR KIT MONED. VEF-PEN-COP	FAG. KIT COIN 2013 VEF-PEN-COP	19012649	A PARTIR DEL Nº DE SERIE 810006036							

Зип Общепит

vsezip.ru

+7(812)984-08-81

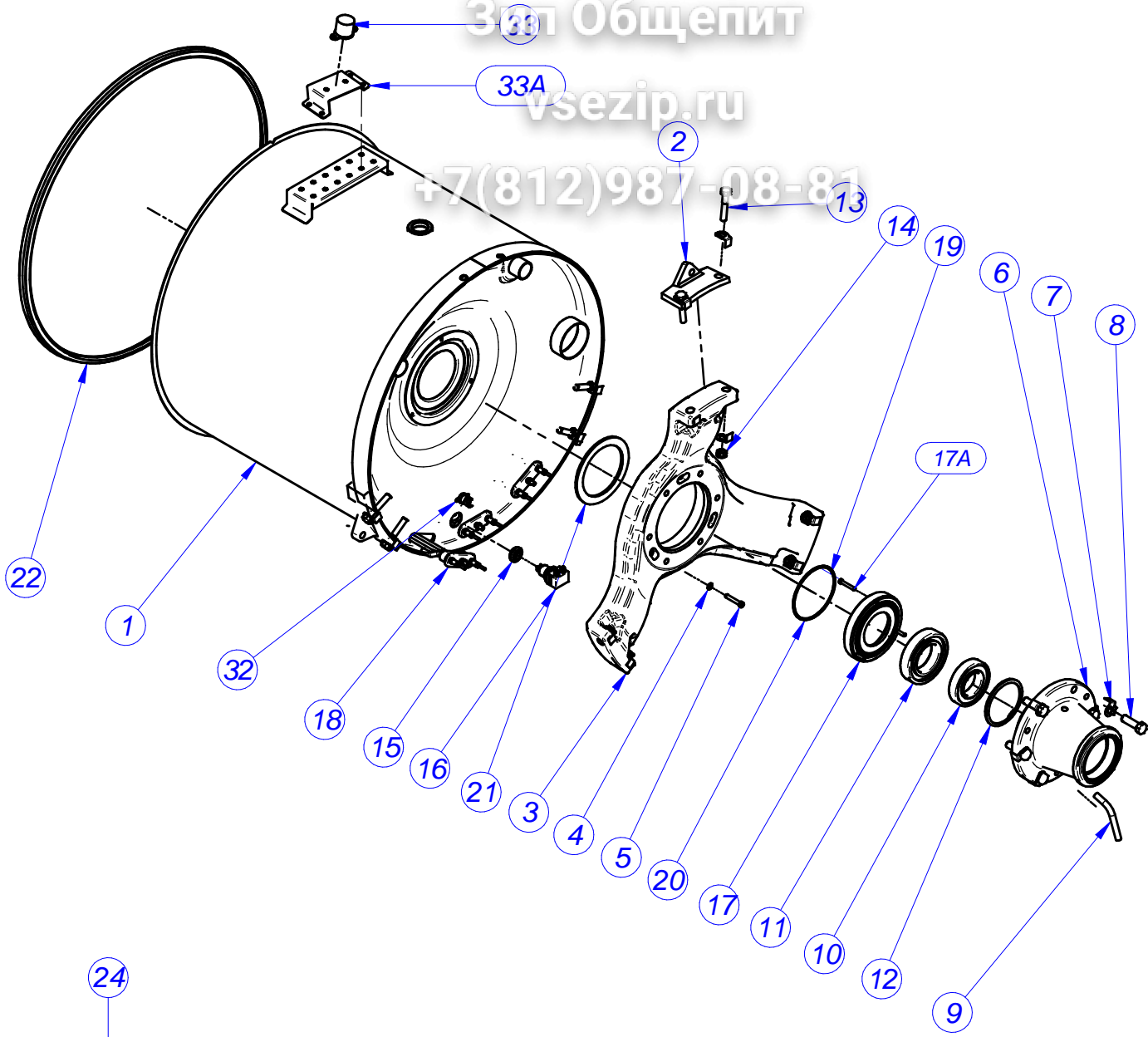


CUNA - ARMAZON / CRADLE - FRAME

333 334

vsezip.ru

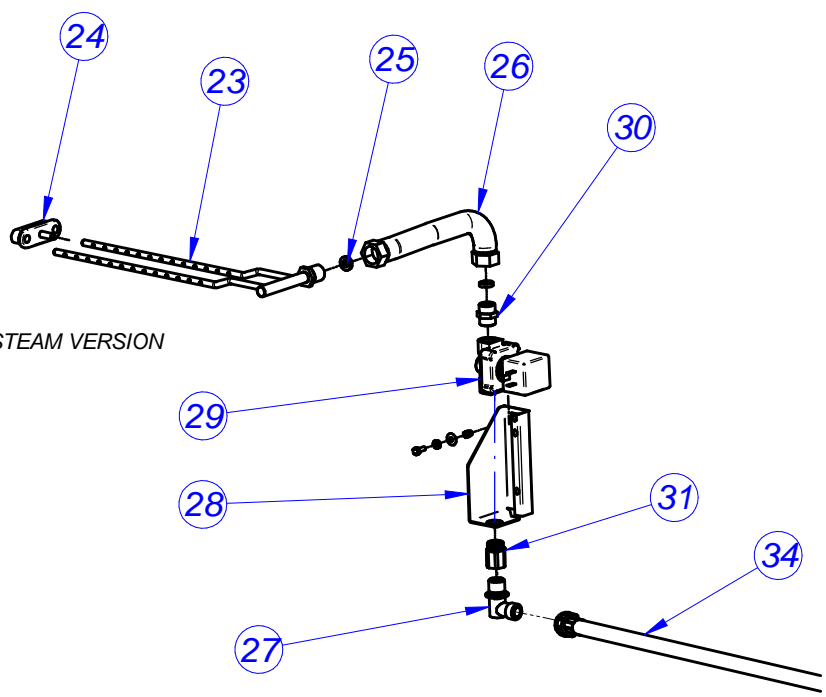
+7(812)987-08-81



24



HOT WATER VERSION



STEAM VERSION

CUBA / TUB

ITEM	DENOMINACION	NAME	CODIGO	LR-18			LA-18			L
				E	AC	V	E	AC	V	
1	CUBA	TUB	P634012000	1	1	1				
			P634029000	1	1	1				
			12004061	1	1	1				
			P636107000				1	1	1	
			12004046				1	1	1	
			12004084							1
			12004085							1
			P646105000							
12004067										
2	APOYO TORNILLOS	SCREW SUPPORT	P626014000	1	1	1				
			P636009000				1	1	1	1
			P646012000							
3	REFUERZO FONDO CUBA	TUB BASE REINFORCEMENT	P626001000	1	1	1				
			P636001000				1	1	1	1
			P646014000							
4	ARANDELA	WASHER	Q232040000	3	3	3	3	3	3	3
5	TORN. INTERIOR REFUERZO	HEXAGONAL INTERIOR REINFOR	Q122045000	3	3	3	3	3	3	3
6	SOPORTE RODAMIENTOS	BEARING SUPPORT	P626002000	1	1	1				
			12095451	1	1	1				
			P636002000				1	1	1	1
			12095452				1	1	1	1
			P646015000							
12095453										
9	TUBO EVACUACION	DRAINAGE PIPE	P626015000	1	1	1	1	1	1	1
10	RODAMIENTO EXTERIOR	OUTER BEARING	P626008000	1	1	1				
			P626009000				1	1	1	1
			P644904000							
11	RODAMIENTO INTERIOR	INNER BEARING	P626009000	1	1	1				
			P636008000				1	1	1	1
			P644903000							
12	ANILLO SEGURIDAD	CIRCLIP	Q301030000	1	1	1				
			Q301036000				1	1	1	1
			Q301045000							
13	TORN. REFUERZO CUBA	TUB REINFORCEMENT SCREW	Q151530000	6	6	6				
			Q151535000				6	6	6	6
			Q151590000							
14	TUERCA REFUERZO CUBA	TUB REINFORCEMENT NUT	Q221338000	6	6	6	6	6	6	6
			Q221347000							
15	SOP.TERMOSTATO 1001713	THERMOSTAT SUPPORT 1001713	N503017000	1	1	1	1	1	1	1

CUBA / TUB

ITEM	DENOMINACION	NAME	CODIGO	LR-18			LA-18			L		
				E	AC	V	E	AC	V			
16	SONDA TEMPERATURA	TEMPERATURE PROBE	P503025000	1	1	1	1	1	1	1		
17	CASQUILLO CONTRARETEN	COUNTERSEAL BUSHING	P626003000	1	1	1						
			P636003000				1	1	1	1	1	
			P646003000									
17A	TORNILLO INOX M5X30MM DIN912	S. STEEL BOLT M5X30 DIN912	12010170	3	3	3	3	3	3	3		
18	RESISTENCIA CALENTAMIENTO	HEATING RESISTOR	12023242	3			3	1				
			12096051	3			3	1				
			P533001000								3	
			12041359								3	
			12024816									
12096226												
19	TORN. CASQ. CONTRARETEN	COUNTERSEAL BUSHING SCREW	Q122034000	3	3	3	3	3	3	3		
20	JUNTA TÓRICA	O-RING	Q307075000	1	1	1						
			Q307077000				1	1	1	1	1	
			Q307083000									
21	JUNTA CASQ. CONTRARETEN	COUNTERSEAL BUSHING SCREW	P616013000	1	1	1						
			P636011000				1	1	1	1	1	
22	JUNTA CUBA	TUB SEAL	P646017000									
			P626110000	1	1	1						
23	INYECTOR VAPOR 10,13,18	STEAM JET 10,13,18	P636108000				1	1	1	1		
			P646110000									
24	CIERRE INYECTOR	INJECTOR LOCK	P615001000			1			1			
24	CIERRE INYECTOR / RESIST.	INJECTOR AND HEATING CAP	P645002000		3	2		2	2			
25	ARANDELA VAPOR 10, 13, 18	STEAM WASHER 10, 13, 18	12024539			2			2			
			P615002000			2			2			
26	MANGUERA VAPOR	STEAM HOSE	P535024000									
			P525005000			1			1			
27	CODO	L-BEND	P545011000									
			S115013000			1			1			
28	SOPORTE VALVULA	VALVE SUPPORT	Z718421000									
			P620327000			1			1			
29	VALVULA VAPOR	STEAM VALVE	P645001000									
			P615003000			1			1			
30	RACOR M-M	M-M CONNECTION	P535023000									
			S205023000			1			1			
31	RACOR H-M	H-M CONNECTION	Z102301000									
			X162101000			1			1			

* EL CAMBIO SE REALIZARA A PARTIR DEL N° DE SERIE 810002217

* THIS CHANGE WILL BE DONE FROM SERIAL NUMBER

Зип Ощепит

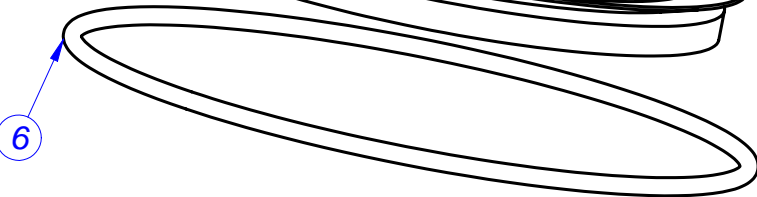
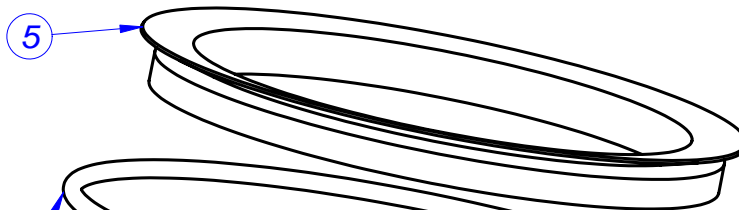
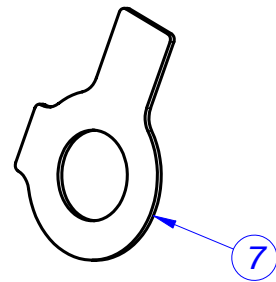
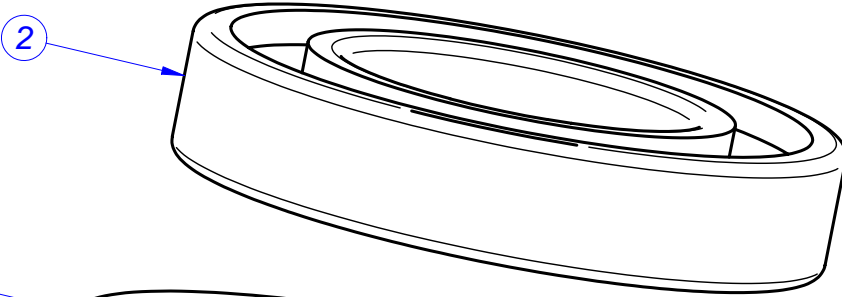
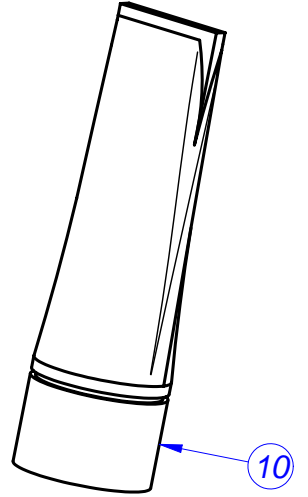
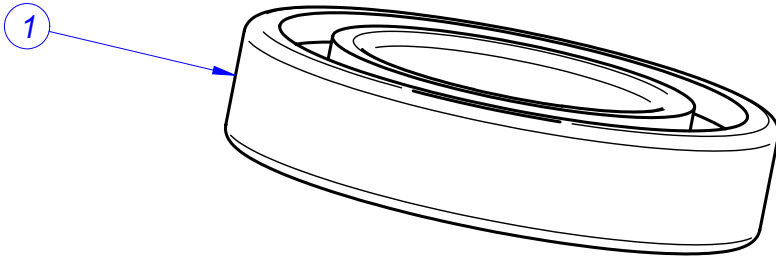
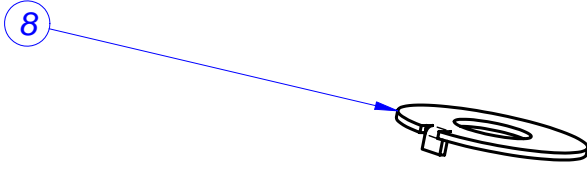
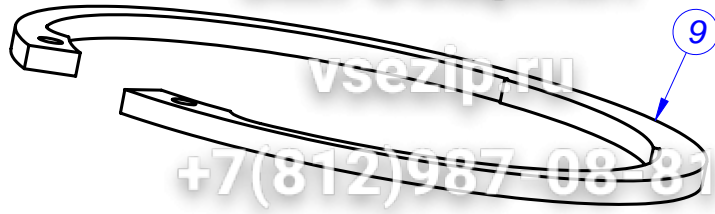
CUBA / TUB

ITEM	DENOMINACION	NAME	CODIGO	LR-18			LA-18			LR-21	
				E	AC	V	E	AC	V	E	AC
32	TERMOSTATO SEG. 115°C UL	SAFETY THERMOSTAT 115°C UL	12047401	1	1	1	1	1	1	1	1
S/Nº	PASAMUROS BULBO	BUSHING BULB	12023576	1	1	1	1	1	1	1	1
S/Nº	SOPORTE TERMOSTATO SEG.	SAFETY THERMOSTAT SUPP.	12007537	1	1	1	1	1	1	1	1
32	LIMITADOR DE SEGURIDAD	SAFETY THERMOSTAT	12096597	1	1	1	1	1	1	1	1
34	MANGUERA VAPOR	STEAM HOSE	12024330			1			1		

Зип Общепит

vsezip.ru

+7(812)987-08-83



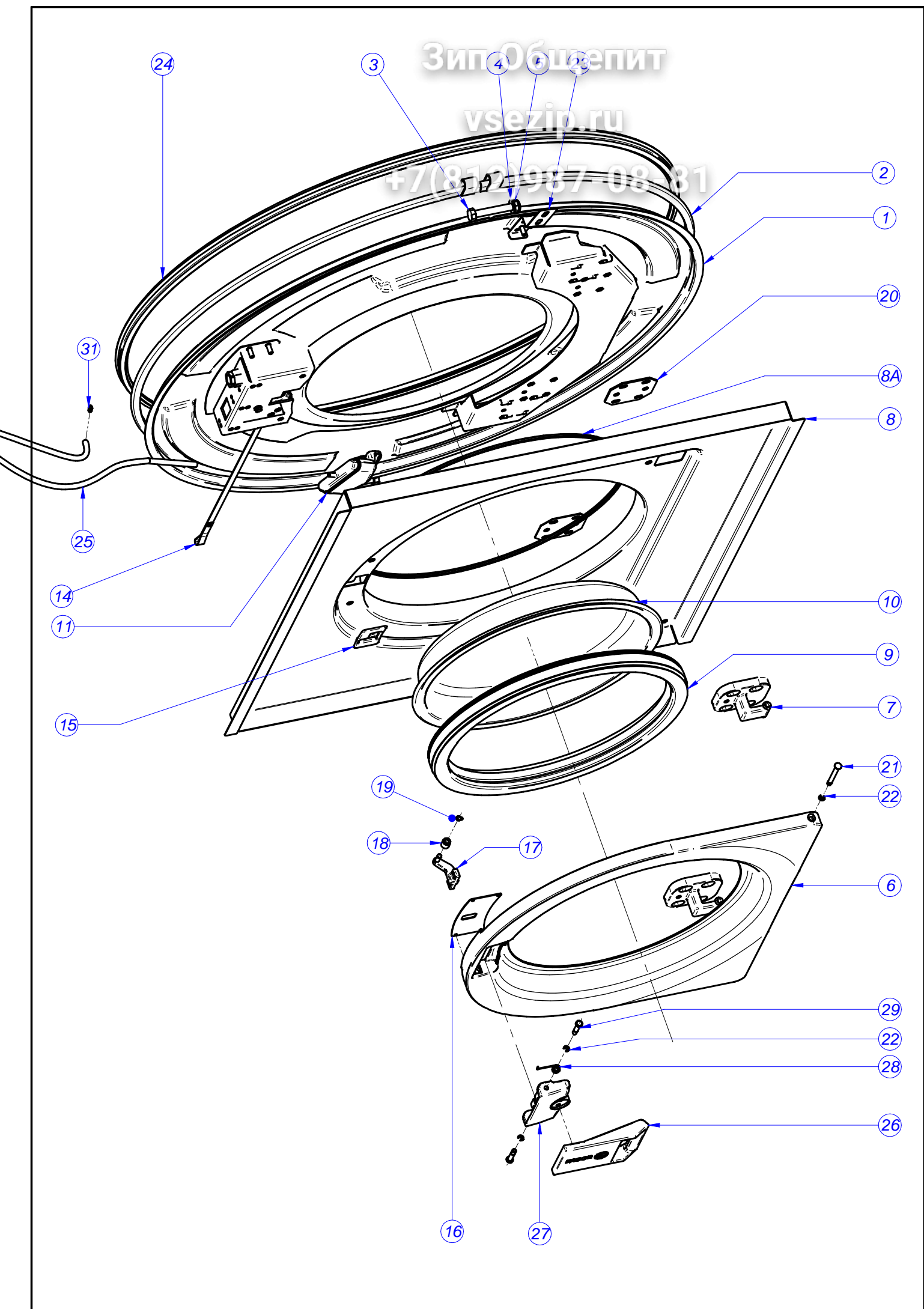
KIT RODAMIENTOS / BEARING KIT

ITEM	DENOMINACION	NAME	CODIGO	LR-18	LA-18	L
	KIT RODAMIENTOS 13	BEARING KIT 13	1300000034	1		
	KIT RODAMIENTOS 18	BEARING KIT 18	1300000085		1	
	KIT RODAMIENTOS 25	BEARING KIT 25	1300000164			
1	RODAMIENTO EXTERIOR	OUTER BEARING	P626008000	1		
			P626009000		1	
			P644904000			
2	RODAMIENTO INTERIOR	INNER BEARING	P626009000	1		
			P636008000		1	
			P644903000			
3	JUNTA CASQ. CONTRARETEN	COUNTERSEAL BUSHING SCREW	P616013000	1		
			P636011000		1	
4	RETEN V-RING 1	V-RING 1 RETAINER 1	P646017000			
			P624914000	1		
			P634912000		1	
5	RETEN V-RING 2	V-RING RETAINER 2	P644916000			
			P624913000	1		
			P634911000		1	
6	JUNTA TÓRICA	O-RING	P644915000			
			Q307075000	1		
			Q307077000		1	
7	ARANDELA SEGURIDAD	SAFETY WASHER	Q307083000			
			Q271302000	6		
			Q271306000	12	18	
8	ARANDELA SEG. POLEA	SAFETY WASHER PULLEY	Q271304000			
			Q301329000	1	1	
			Q301030000	1		
9	ANILLO SEGURIDAD	CIRCLIP	Q301036000		1	
			Q301045000			
			P536544000	1	1	
10	GRASA RETENES	GREASE SEALS				

Зип-Общепит

vsezip.ru

+7(812)987-08-81



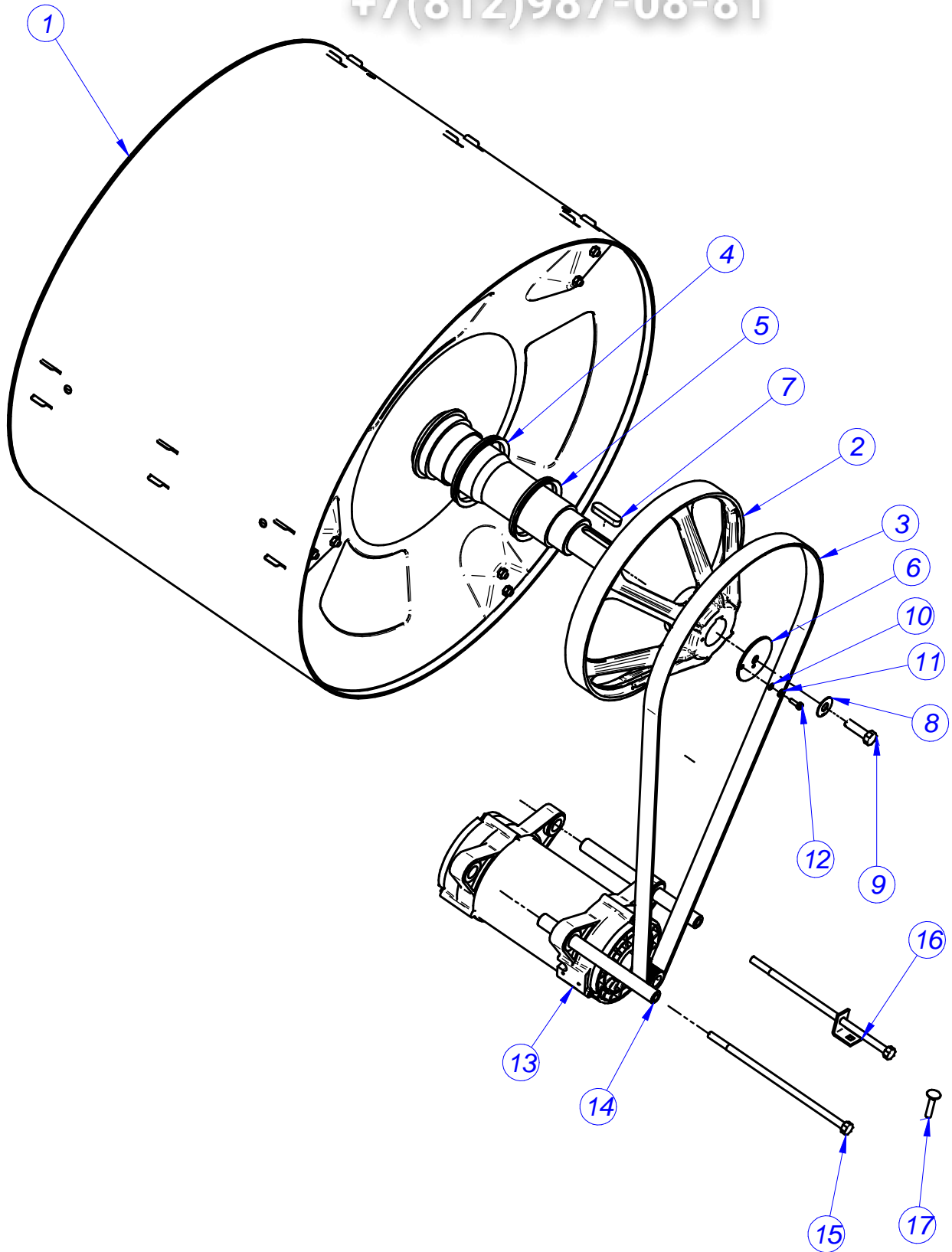
FRENTE CUBA / TUB FRONT

ITEM	DENOMINACION	NAME	CODIGO	LR-18	LA-18	L
1	FRENTE CUBA COMPLETO	COMPLETE TUB FRONT	12044429	1		
			12103825		1	
			12110579			
2	CIERRE CUBA	TUB LOCK	P626118000	1		
			P636112000		1	
			P646107000			
3	TORNILLO CIERRE CUBA	TUB LOCK SCREW	Q011369000	1	1	
4	ARAND. CIERRE	GROWER LOCK	Q232060000	2	2	
5	TUERCA CIERRE CUBA	TUB LOCK NUT	Q221306000	1	1	
6	PUERTA CON MANETA	DOOR WITH LEVER	P620532000	1	1	
7	BISAGRA PUERTA	DOOR HINGE	P620502000	2	2	
8	FONDO PUERTA	DOOR BASE	P620501000	1	1	
8A	PERFIL GOMA GRIS EN U 12*6	GREY RUBBER PROFILE U12*6	11000068	1	1	
9	JUNTA PUERTA	DOOR SEAL	P620528000	1	1	
10	MIRILLA PUERTA	DOOR WINDOW	P530503000	1	1	
11	CAMARA PRESOSTATO	PRESSURE SWITCH	P445002000	1	1	
11	CAMPANA TANQUE	TUB'S PRESSURE CHAMBER	12093146	1	1	
12	CONDUCTO UNION	PIPE UNION	P502106000	1	1	
13	ABRAZADERA	CLAMP	Q881306000	2	2	
14	CIERRE COMPLETO	COMPLETE LOCK	12127838	1	1	
15	EMBELLECEDOR CIERRE	LOCK TRIM	P620515000	1	1	
15	EMBELLECEDOR CIERRE	LOCK TRIM	12096278	1	1	
16	TAPA CIERRE	LID CLOSURE	P627816000	1	1	
17	GANCHO CIERRE	LOCK HOOK	P620505000	1	1	
18	CASQUILLO	BUSHING	P610506000	1	1	
19	ANILLO SEGURIDAD	CIRCLIP	Q302061000	1	1	
20	CALZO BISAGRA	HINGE WEDGE	P620521000	4	4	
21	PASADOR PUERTA	DOOR PIN	P620514000	2	2	
22	ARANDELA SEGURIDAD 4	SAFETY WASHER 4	Q272020000	2	2	
23	SOPORTE CONDUCTO	PIPE SUPPORT	P626128000	1	1	
24	JUNTA CUBA	TUB SEAL	P626110000	1		
			P636108000		1	
			P646110000			
25	TUBO GOMA NEGRO Ø 8*4	BLACK RUBBER HOSE Ø 8*4	3702400000	1	1	

Зип Общепит

vsezip.ru

+7(812)987-08-81



TAMBOR / DRUM

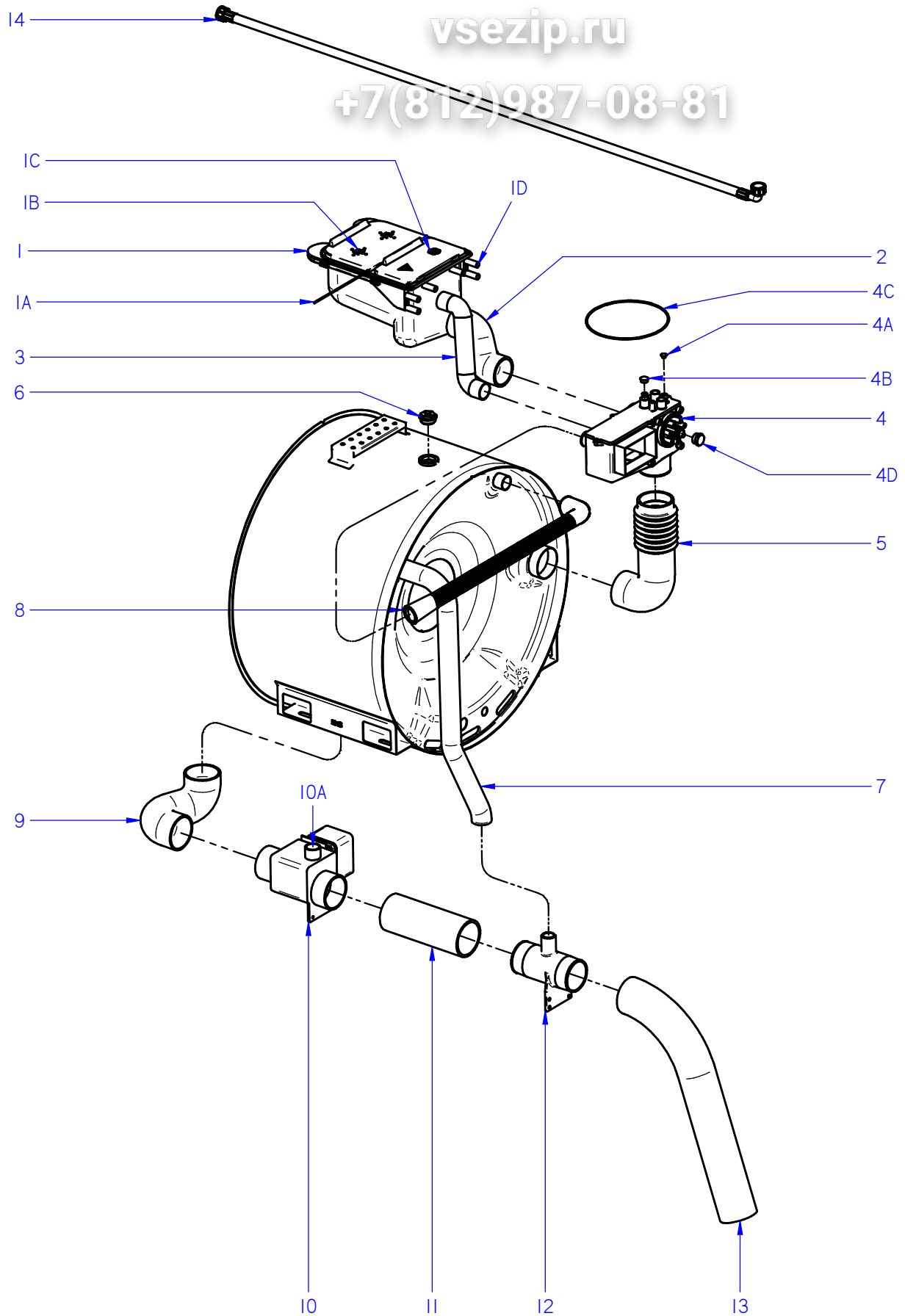
TAMBOR / DRUM

ITEM	DENOMINACION	NAME	CODIGO	LR-18			LA-18			L
				MP	M	MA	MP	M	MA	
1	TAMBOR COMPLETO	COMPLETE DRUM	P634010000	1	1	1				
			P634910000				1	1	1	
			P644010000							1
			P644912000							
2	POLEA	PULLEY	P626006000	1	1	1	1	1	1	1
			P646013000							
3	CORREA	BELT	P635902000	1	1	1				
			P625903000	1	1	1				
			P635902000				1	1	1	
			P635908000							1
4	RETEN V-RING 1	V-RING RETAINER 1	P624914000	1	1	1				
			P634912000				1	1	1	1
			P644916000							
5	RETEN V-RING 2	V-RING RETAINER 2	P624913000	1	1	1				
			P634911000				1	1	1	1
			P644915000							
6	ARANDELA POLEA	PULLEY WASHER	12021832	1	1	1	1	1	1	1
7	CHAVETA	COTTER PIN	P626010000	1	1	1	1	1	1	1
8	ARANDELA SEGURIDAD	SAFETY WASHER	Q301329000	1	1	1	1	1	1	1
9	TORNILLO POLEA	PULLEY SCREW	Q011376000	1	1	1	1	1	1	1
10	ARANDELA A5	WASHER A5	Q232030000	1	1	1	1	1	1	1
11	ARAND.ABAN. A5 A.304	FAN WASHER A5 A.304	Q242030000	1	1	1	1	1	1	1
12	TORN.EXA. M5X15 A.304	HEX BOLT M5X15 A.304	Q012032000	1	1	1	1	1	1	1
13	MOTOR	ENGINE	P635906000	1	1	1	1	1	1	
			P645902000							1
14	TUBO SOPORTE MOTOR	MOTOR SUPPORT HOSE	P635907000	2	2	2	2	2	2	
			P645903000							2
15	TORNILLO MOTOR	MOTOR SCREW	Q151527000	2	2	2	2	2	2	
			Q151591000							2
16	TENSOR MOTOR	MOTOR TENSOR	P620214000	1	1	1	1	1	1	1
17	TORNILLO TENSOR	TENSOR SCREW	Q151393000	1	1	1	1	1	1	1
19	CASQUILLO EJE	AXIS BUSHING	12023262	1	1	1				
19	CASQUILLO EJE	AXIS BUSHING	12023256				1	1	1	1
19	CASQUILLO EJE	AXIS BUSHING	12007749							

Зип Общепит

vsezip.ru

+7(812)987-08-81



CUBETERA / TRAY
LALR-18-25

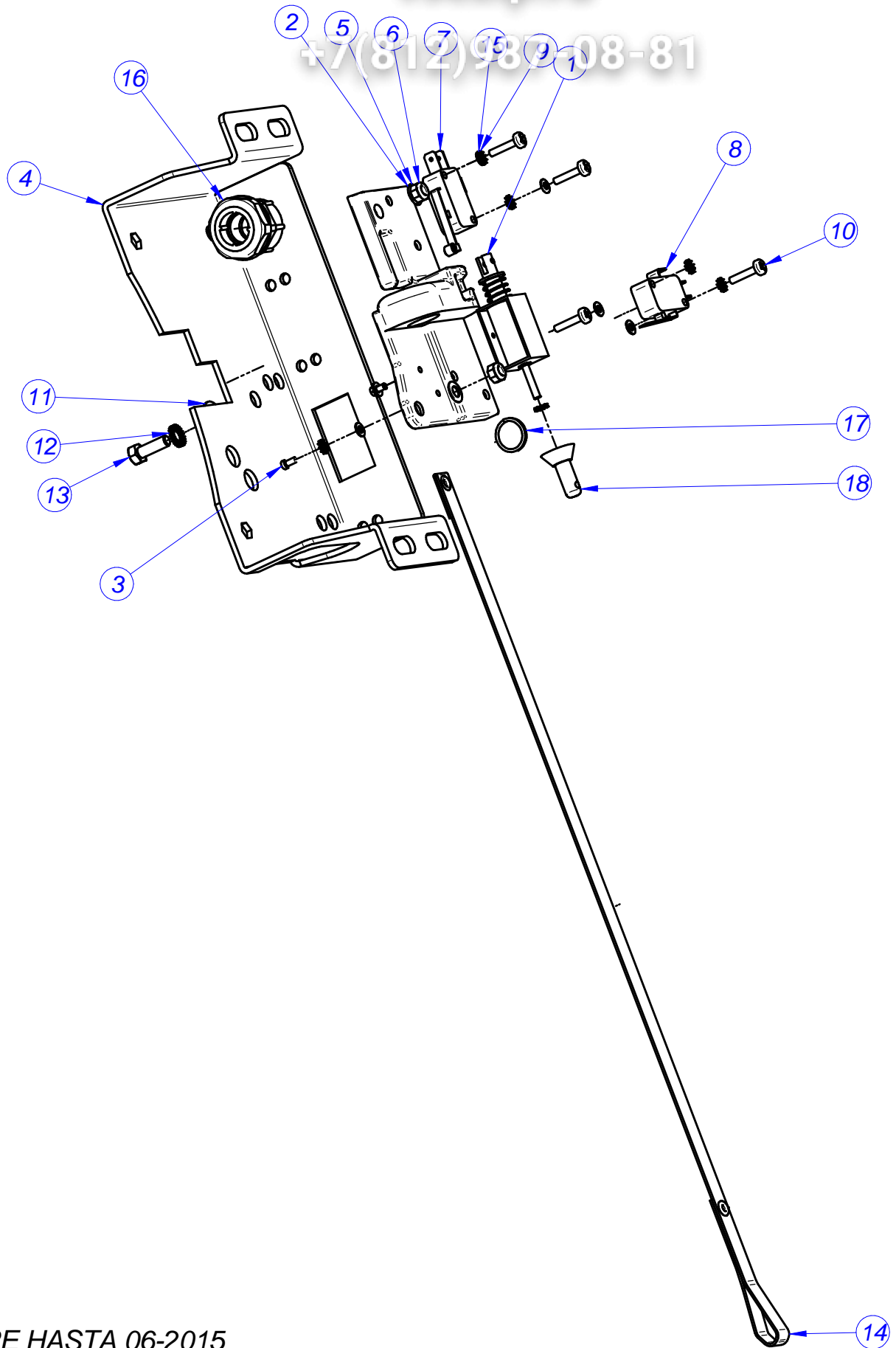
CUBETERA / TRAY

ITEM	DENOMINACION	NAME	CODIGO	LR-18			LA-18			L
				MP	M	MA	MP	M	MA	
1	CUBETA DETERGENTES	DETERGENT TRAY	12007732	1	1	1	1	1	1	1
1A	EJE TAPAS CUBETA	TRAY COVERS AXIS	12010483	1	1	1	1	1	1	1
1B	TAPA 1	COVER 1	12010403	1	1	1	1	1	1	1
1C	TAPA 2	COVER 2	12000747	1	1	1	1	1	1	1
1D	TAPON CUBETA DETERGENTES	DETERGENT TRAY CAP	12010088	2	2	2	2	2	2	2
2	CONDUCTO CUBETERA	TRAY PIPE	P634022000	1	1	1				
			P630705000				1	1	1	
			P644033000							1
3	CONDUCTO REBOSADERO CUBETERA	TRAY OVERFLOW PIPE	P634023000	1	1	1				
			P630706000				1	1	1	
			P644034000							1
4	CAJA COLECTOR	MANIFOLD BOX	P620723000	1	1	1	1	1	1	1
4A	TAPON CAJA COLECTOR 8	COLLECTOR BOX PLUG 8	12010034		1	1		1	1	
4B	TAPON CAJA COLECTOR 16	COLLECTOR BOX PLUG 16	12010013	3	3	3	3	3	3	3
4C	JUNTA TAPA COLECTOR	BOARD COVER COLLECTOR	P620728000	1	1	1	1	1	1	1
4D	CAPUCHON CON ROSCA SR1126	THREADED CAP SR1126	12121485	1	1	1	1	1	1	1
5	CONDUCTO ENTRADA AGUA	WATER INPUT PIPE	12025016	1	1	1				
			12025017				1	1	1	1
6	TAPON DESAGÜE	DRAINING CAP	12023875	1	1	1	1	1	1	1
6	TAPON CUBA 1" G	TUB CAP 1" G	12128218	1	1	1	1	1	1	1
7	CONDUCTO REBOSADERO	OVERFLOW PIPE	P620704000	1	1	1				
			P630702000				1	1	1	
			P640703000							1
8	SALIDA VAPOR	STEAM OUTPUT	12007821	1	1	1	1	1	1	1
9	CONDUCTO DESAGÜE	DRAINAGE PIPE	P634021000	1	1	1				
			P630703000				1	1	1	
			12044165	1	1	1	1	1	1	
			P532119000							1
			12025016							1
10	VALVULA	VALVE	P302120000	1	1	1	1	1	1	1
			P532103000							1
10	EV 230V AC 50/60Hz 1 VIA	EV 230V AC 50/60Hz 1 WAY	12024404	1	1	1	1	1	1	1
10A	TAPA VAULA DESAGUE	DRAINAGE VALVE COVER	12095938	1	1	1	1	1	1	1
11	CONDUCTO VAULA-SALIDA	OUTPUT VALVE PIPE	12046140	1	1	1				1
			12046139				1	1	1	
			12046144							
12	SALIDA DESAGUE 3"	DRAINAGE OUTPUT 3"	12046868	1	1	1	1	1	1	1
13	CONDUCTO CUBETERA LA-25	TRAY PIPE LA-25	12024890	1	1	1	1	1	1	1
14	MANGUERA ENTRADA AGUA	WATER INLET PIPE	12024115	3	2	2	3	2	2	3

Зип Общепит

vsezip.ru

+7(812)987-08-81

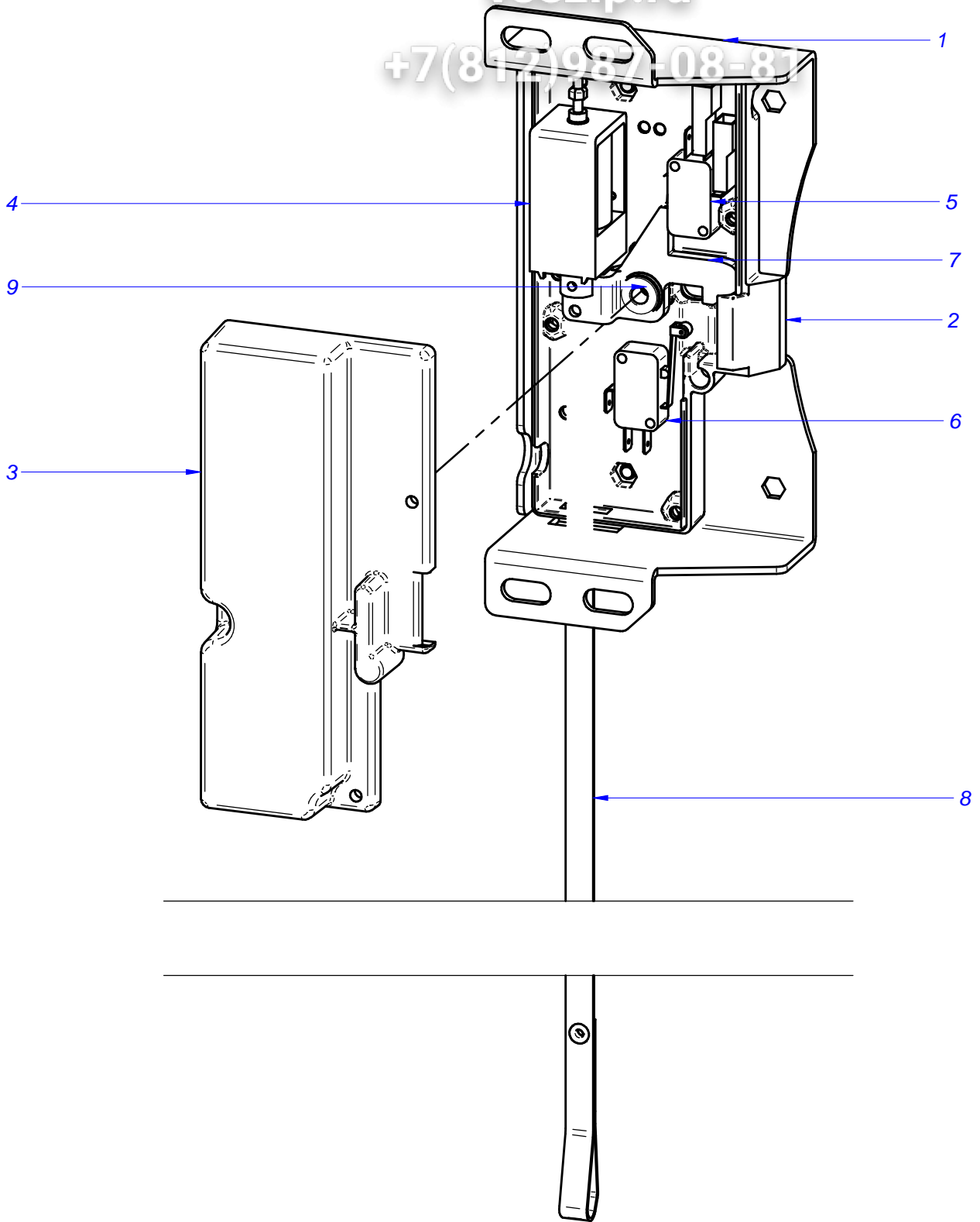


CIERRE HASTA 06-2015
LOCK UNTIL 06-2015

Зип Общепит

vsezip.ru

+7(817)987-08-81



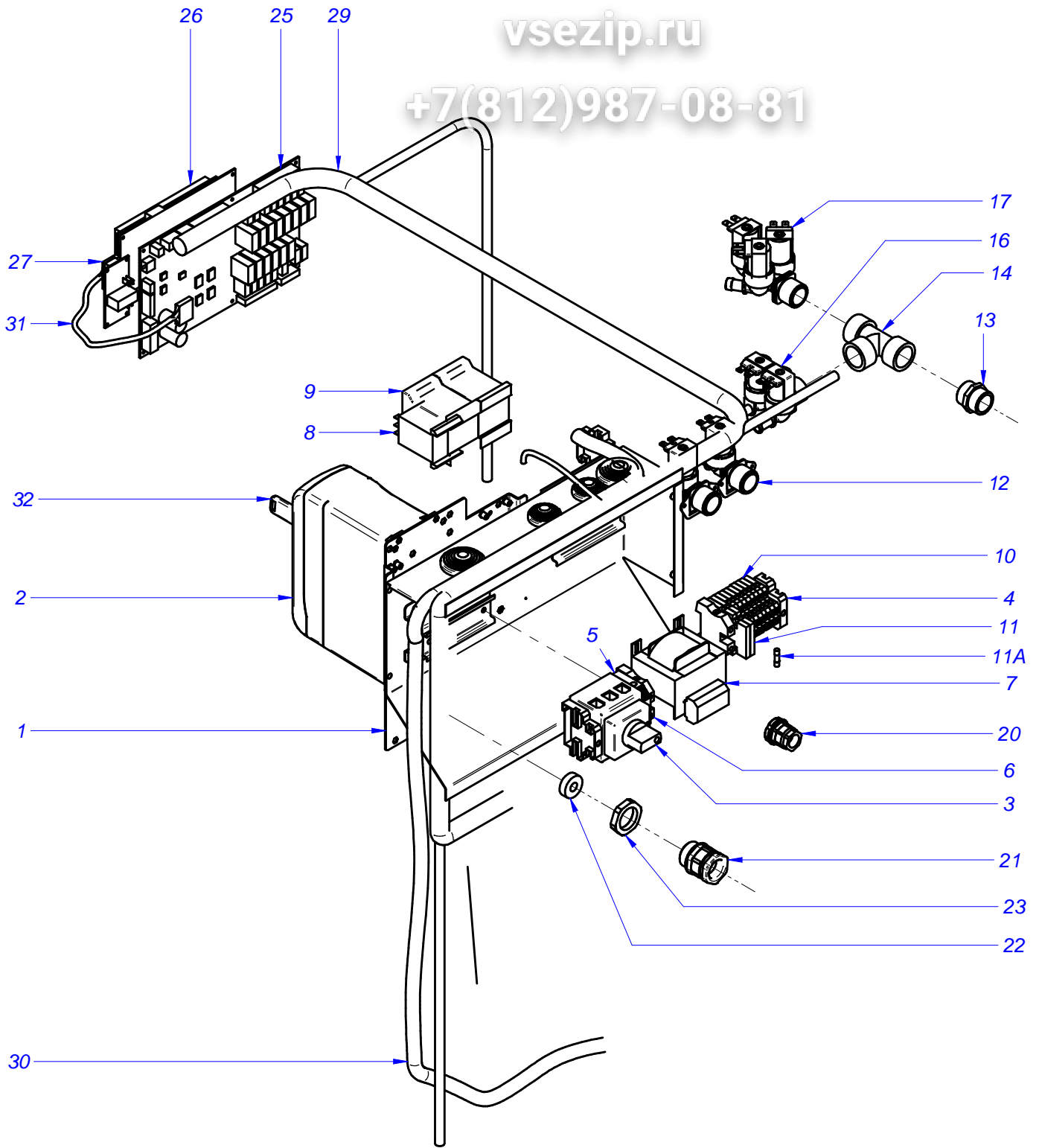
CIERRE DESDE N° DE SERIE 8100493065 - 06-2015

LOCK SINCE SERIAL Nr. 8100493065 - 06-2015

Зип Общепит

vsezip.ru

+7(812)987-08-81



CUADRO ELECTRICO / ELECTRIC PANEL
LA-18

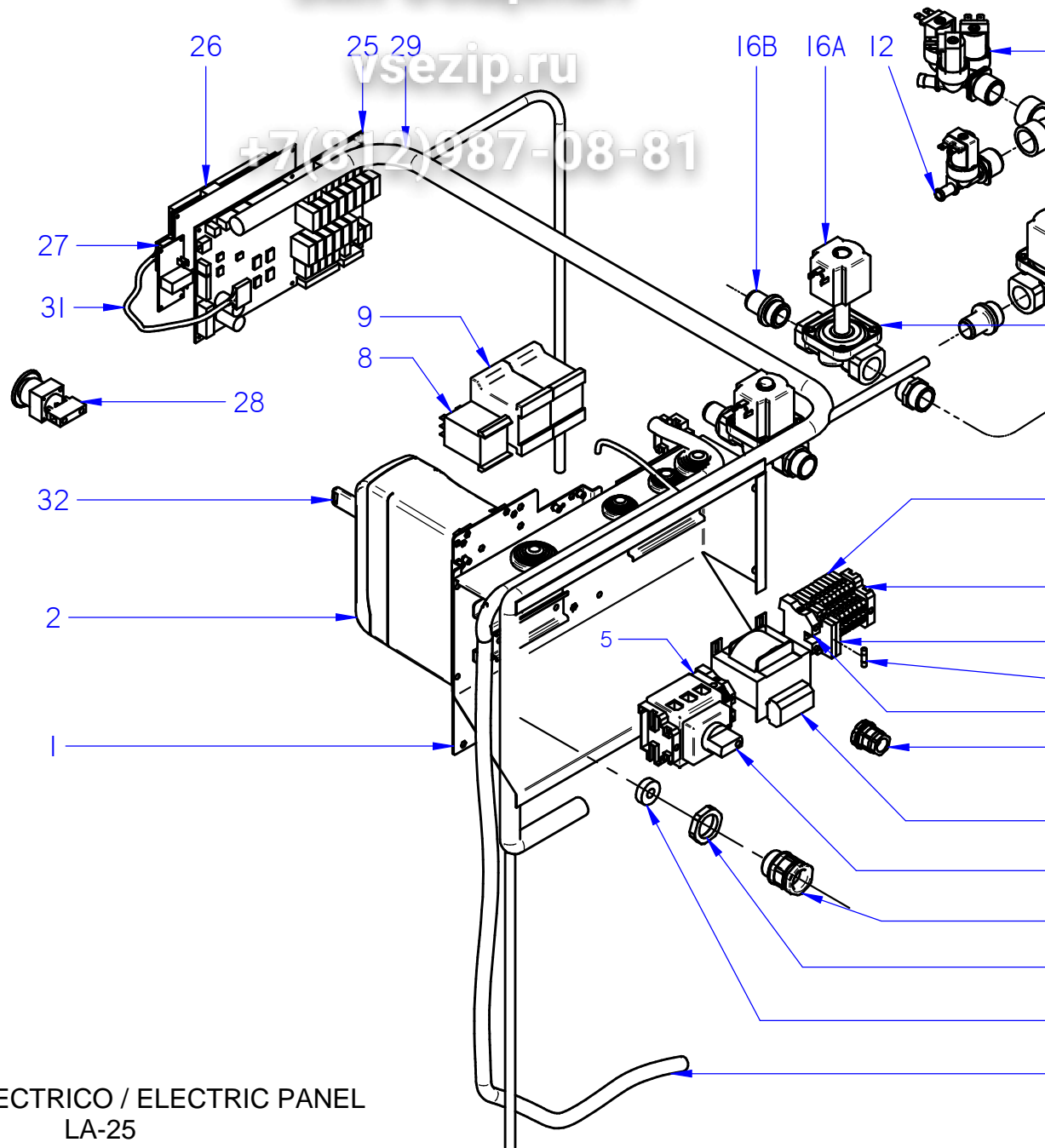
CUADRO ELECTRICO / ELECTRIC PANEL

ITEM	DENOMINACION	NAME	CODIGO	LR-18														
				MP			M			MA			M					
	CALENTAMIENTO				E	AC	V	E	AC	V	E	AC	E	AC	E	AC		
1	PORTA CUADRO ELECTRICO	ELCTRIC PANEL HOLDER	P620347000 P644020000	1	1	1	1	1	1	1	1	1	1	1	1	1	1	
2	REP VARIADOR PROGRAMADO	REP VARIATOR PROGRAMMED	12045945 12038441	1	1	1	1	1	1	1	1	1	1	1	1	1	1	
2	REP VARIADOR PROG.LA-18	REP VARIATOR PROG.LA-18	12126768															
2	REP VARIADOR PROG.LR-18	REP VARIATOR PROG.LR-18	12126775	1	1	1	1	1	1	1	1	1	1	1	1	1	1	
3	SECCIONADOR	SECCIONADOR	12024858 12024628	1	1	1	1	1	1	1	1	1	1	1	1	1	1	
4	TOPE FINAL	END STOP	Z263303000	3	3	3	3	3	3	3	3	3	3	3	3	3	3	
5	BORNA AZUL	BLUE TERMINAL	12025143	1	1	1	1	1	1	1	1	1	1	1	1	1	1	
6	BORNA TIERRA	EARTH TERMINAL	12024515	1	1	1	1	1	1	1	1	1	1	1	1	1	1	
7	TRANSFORMADOR	TRANSFORMER	12024920	1	1	1	1	1	1	1	1	1	1	1	1	1	1	
8	RELE 230V AC 50/60Hz 16A 2vía	RELAY 16A 230V AC 50/60Hz 2v	12023706	1	1	1	1	1	1	1	1	1	1	1	1	1	1	
9	CONTACTOR CALENTAMIENTO	HEATING CONTACTOR	12024040	2			2				2			2			2	
			12111795	2			2				2			2			2	
			12024039		1			1				1			1			1
			12111796		1			1				1			1			1
9	CONTACTOR CALENTAMIENTO	HEATING CONTACTOR	12024011								1	1						
10	REGLETA DOSIFICACION	DISPENSER TERMINAL STRIP	12025180	8	8	8	5	5	5	6	6	8	8	8	8	8	8	
11	BORNA PORTAFUSIBLE	FUSEHOLDER TERMINAL	R073005000	2	2	2	2	2	2	2	2	2	2	2	2	2	2	
11A	CARTUCHO FUSIBLE 4A	FUSE 4A	12024333	2	2	2	2	2	2	2	2	2	2	2	2	2	2	
12	ELECTROVALVULA SIMPLE	SIMPLE SOLENOID VALVE	12025161	2	1	2	1			1	1			2	1			
13	RACOR 3/4"	3/4" CONNECTION	12024396	1	1	1	1	1	1	1	1	1	1	1	1	1	1	
14	Te A 90°	T at 90°	P535020000	1	1	1	1	1	1	1	1	1	1	1	1	1	1	
15	TOPE ELECTROVALVULA	SOLENOID VALVE STOP	P535003000	1	1	1	1	1	1	1	1	1	1	1	1	1	1	
16	ELECTROVALVULA DOBLE	DOUBLE SOLENOID VALVE	12023794	1	1	1	1	1	1	1	1	1	1	1	1	1	1	
17	ELECTROVALVULA TRIPLE	TRIPLE SOLENOID VALVE	12023921	1	1	1	1	1	1	1	1	1	1	1	1	1	1	
20	PRENSA ESTOPA DOSIFICACION	DISPENSER STUFFING BOX	R073004000	1	1	1	1	1	1	1	1	1	1	1	1	1	1	
21	PRENSA ESTOPA PG-21	STUFFING BOX PG-21	R023013000	1	1	1	1	1	1	1	1	1	1	1	1	1	1	
22	JUNTA GOMA	RUBBER SEAL	R023026000	1	1	1	1	1	1	1	1	1	1	1	1	1	1	
23	TUERCA ROSCA Pg 21	SCREW THREAD Pg 21	Q223016000	1	1	1	1	1	1	1	1	1	1	1	1	1	1	
23	CONTRATUERCA (GAES)	LOCKNUT (GAES)	12010063	1	1	1	1	1	1	1	1	1	1	1	1	1	1	
25	PLACA ENTRADAS-SALIDAS	INLET-OUTLET PLATE	12024457	1	1	1										1	1	
			12024197				1	1	1	1	1							
26	VISUALIZADOR	VIEWER	12023357	1	1	1										1	1	
			12024780				1	1	1	1	1							
27	INTERRUPTOR GENERAL	POWER SWITCH	12024634	1	1	1	1	1	1	1						1	1	
27	CABLEADO CONECTOR PUENTE	WIRING CONNECTOR BRIDGE	12025206											1	1			

Зип Общепит

vsezip.ru

+7(812)987-08-81



CUADRO ELECTRICO / ELECTRIC PANEL
LA-25

CUADRO ELECTRICO / ELECTRIC PANEL

ITEM	DENOMINACION	NAME	CODIGO	LR-25											
				MP			M			MA			M		
	CALENTAMIENTO	E	AC	V	E	AC	V	E	AC	V	E	AC	V		
1	PORTA CUADRO ELECTRICO	ELCTRIC PANEL HOLDER	P644020000	1	1	1	1	1	1	1	1	1	1	1	
2	REP VARIADOR PROGRA. 400V	REP VARIATOR PROGRA. 400V	12038440	1	1	1	1	1	1	1	1	1	1		
2	REP VARIADOR PROGRA. 230V	REP VARIATOR PROGRA. 230V	12038439	1	1	1	1	1	1	1	1	1	1		
2	REP VARIADOR PROGRA. LR-25	REP VARIATOR PROGRA. LR-25	12045944	1	1	1	1	1	1	1	1	1	1		
2	REP VARIADOR PROGRA. LA-25	REP VARIATOR PROGRA. LA-25	12043612										1		
2	REP VARIADOR PROGRA. LR-25	REP VARIATOR PROGRA. LR-25	12126776	1	1	1	1	1	1	1	1	1	1		
2	REP VARIADOR PROGRA. LA-25	REP VARIATOR PROGRA. LA-25	12126769										1		
3	SECCIONADOR	SECCIONADOR	12024858		1	1		1	1			1	1		
			12024628	1			1			1		1	1		
4	TOPE FINAL	END STOP	Z263303000	3	3	3	3	3	3	3	3	3	3		
5	BORNA AZUL	BLUE TERMINAL	12025143	1	1	1	1	1	1	1	1	1	1		
6	BORNA TIERRA	EARTH TERMINAL	12024515	1	1	1	1	1	1	1	1	1	1		
7	TRANSFORMADOR	TRANSFORMER	12024920	1	1	1	1	1	1	1	1	1	1		
8	CONTACTOR 230V AC 50/60Hz 40A	CONTACTOR 230V AC 50/60Hz 40A	12041014	2			2				2		2		
9	CONTACTOR CALENTAMIENTO	HEATING CONTACTOR	12024040		2	1		2	1			1	2		
9	CONTACTOR CALENTAMIENTO	HEATING CONTACTOR	12111795		2	1		2	1			1	2		
9	CONTACTOR AUXILIAR 230V	AUXILIARY CONTACTOR 230V	12043923									1			
10	REGLETA DOSIFICACION	DISPENSER TERMINAL STRIP	12025180	8	8	8	6	6	6	6	6	8	8		
11	BORNA PORTAFUSIBLE	FUSEHOLDER TERMINAL	R073005000	2	2	2	2	2	2	2	2	2	2		
11A	CARTUCHO FUSIBLE 4A	FUSE 4A	12024333	2	2	2	2	2	2	2	2	2	2		
12	ELECTROVALVULA SIMPLE	SIMPLE SOLENOID VALVE	12025161	1	1	1	1	1	1	1	1	1	1		
13	RACOR 3/4"	3/4" CONNECTION	12024396	5	5	7	4	4	6	4	4	5	5		
14	Te A 90°	T at 90°	P535020000	2	2	2	2	2	2	2	2	2	2		
15	TOPE ELECTROVALVULA	SOLENOID VALVE STOP	P535003000	1	1	1	1	1	1	1	1	1	1		
16	ELECTROVALVULA SIMPLE	SIMPLE SOLENOID VALVE	12023551	3	2	2	2	2	2	2	2	3	2		
16A	BOBINADO EV SIMPLE	SIMPLE SOLENOID VALVE COIL	12024622	3	2	2	2	2	2	2	2	3	2		
16B	EMPALME EV-TUBO	CONNECTION EV-PIPE	12024526	3	2	2	2	2	2	2	2	3	2		
17	ELECTROVALVULA TRIPLE	TRIPLE SOLENOID VALVE	12023921	1	1	1	1	1	1	1	1	1	1		
18	RACOR PORTA FILTRO 3/4	RACOR FILTER HOLDER 3/4	12025062	1	1	1	1	1	1	1	1	1	1		
19	FILTRO DE JUNTA N-3	JOINT FILTER N-3	12025278	1	1	1	1	1	1	1	1	1	1		
20	PRENSA ESTOPA DOSIFICACION	DISPENSER STUFFING BOX	R073004000	1	1	1	1	1	1	1	1	1	1		
21	PRENSA ESTOPA PG-21	STUFFING BOX PG-21	R023013000	1	1	1	1	1	1	1	1	1	1		
22	JUNTA GOMA	RUBBER SEAL	R023026000	1	1	1	1	1	1	1	1	1	1		
23	TUERCA ROSCA Pg 21	SCREW THREAD Pg 21	Q223016000	1	1	1	1	1	1	1	1	1	1		
23	CONTRATUERCA (GAES)	LOCKNUT (GAES)	12010063	1	1	1	1	1	1	1	1	1	1		
25	PLACA ENTRADAS-SALIDAS	INLET-OUTLET PLATE	12024457	1	1	1							1		
			12024197				1	1	1	1	1				

RECOMENDADOS / RECOMMENDED

ITEM	DENOMINACION	NAME	CODIGO	LR-18										
				MP			M			MA				
	CALENTAMIENTO	E	AC	V	E	AC	V	E	AC	E	A			
10	ADHESIVO	ADHESIVE	12007721	1	1	1							1	
			12007722				1	1	1					
			12007719							1	1			
10	ADHESIVO CP FAGOR MA	PC ADHESIVE FAGOR MA	12007741							1	1			
5	AMORTIGUADOR	DAMPER	12025077										8	8
16	SONDA TEMPERATURA	TEMPERATURE PROBE	12023814	1	1	1	1	1	1	1	1	1	1	1
18	RESISTENCIA CALENTAMIENTO	HEATING RESISTOR	12096051	3			3			3			3	3
14	CIERRE COMPLETO	COMPLETE LOCK	12127838	1	1	1	1	1	1	1	1	1	1	1
3	CORREA	BELT	12023269	1	1	1	1	1	1	1	1	1	1	1
			12023267										1	1
13	MOTOR	ENGINE	12023194	1	1	1	1	1	1	1	1	1	1	1
10	EV 230V AC 50/60Hz 1 VIA	EV 230V AC 50/60Hz 1 WAY	12024404	1	1	1	1	1	1	1	1	1	1	1
2	REP VARIADOR PROG.LA-18	REP VARIATOR PROG.LA-18	12126768										1	1
2	REP VARIADOR PROG.LR-18	REP VARIATOR PROG.LR-18	12126775	1	1	1	1	1	1	1	1	1	1	1
3	SECCIONADOR	CIRCUIT BREAKER	12024858		1	1		1	1		1		1	1
			12024628	1			1			1			1	1
7	TRANSFORMADOR	TRANSFORMER	12024920	1	1	1	1	1	1	1	1	1	1	1
8	RELE 230V AC 50/60Hz 16A 2vía	RELAY 16A 230V AC 50/60Hz 2v	12023706	1	1	1	1	1	1	1			1	1
8	CONTACTOR 230V AC 50/60Hz	CONTACTOR 230V AC 50/60Hz	12024011							1	1			
9	CONTACTOR CALENTAMIENTO	HEATING CONTACTOR	12111795	2			2			2			2	2
10	CONTACTOR CALENTAMIENTO	HEATING CONTACTOR	12111796		1			1				1		1
12	ELECTROVALVULA SIMPLE	SIMPLE SOLENOID VALVE	12025161	2	1	2	1		1				2	2
16	ELECTROVALVULA DOBLE	DOUBLE SOLENOID VALVE	12023794	1	2	1	1	2	1	1	2	1	2	2
17	ELECTROVALVULA TRIPLE	TRIPLE SOLENOID VALVE	12023921	1	1	1	1	1	1	1	1	1	1	1
25	PLACA ENTRADAS-SALIDAS	INLET-OUTLET PLATE	12024457	1	1	1							1	1
25	PLACA ENTRADAS-SALIDAS	INLET-OUTLET PLATE	12024197				1	1	1	1	1			
26	VISUALIZADOR	VIEWER	12023357	1	1	1							1	1
26	VISUALIZADOR	VIEWER	12024780				1	1	1	1	1	1		
27	INTERRUPTOR GENERAL	POWER SWITCH	12024634	1	1	1	1	1	1	1	1	1	1	1
32	PLC PROGRAMADO 2,2KW	PLC PROGRAMMED 2,2KW	12043486	1	1	1	1	1	1	1	1	1	1	1
32	PLC PROGRAMADO 2,2KW	PLC PROGRAMMED 2,2KW	12002437										1	1

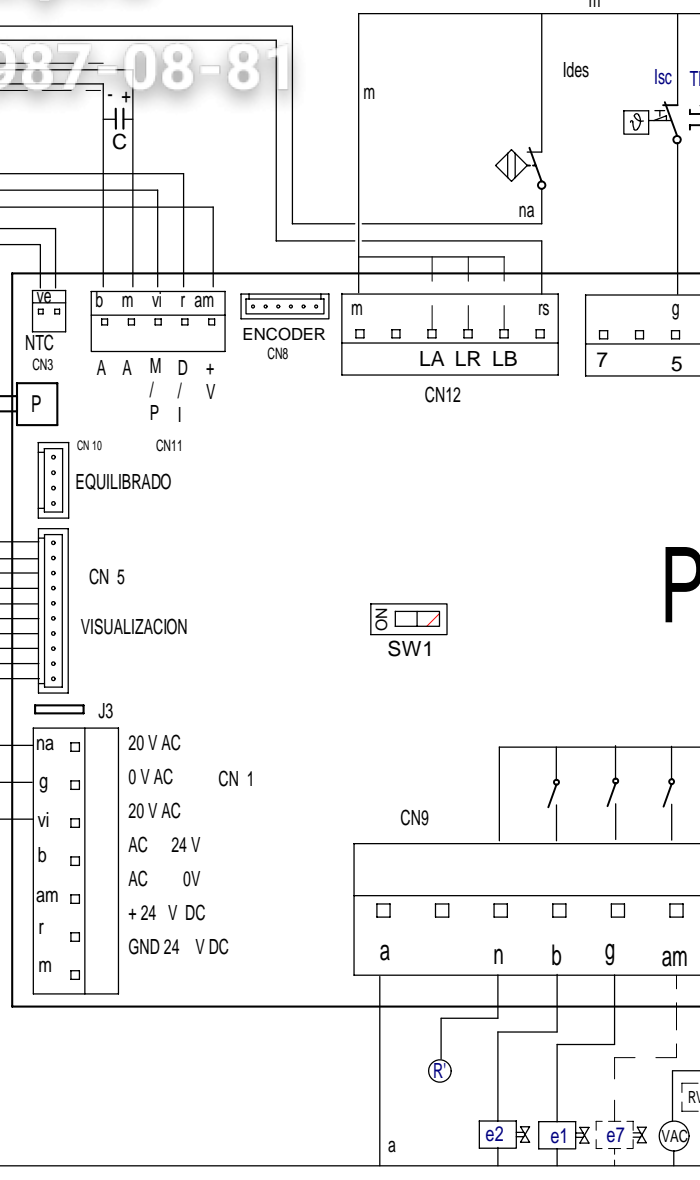
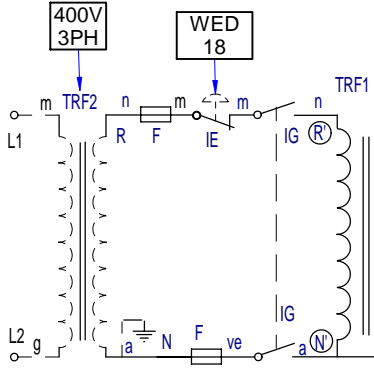
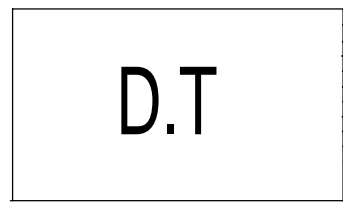
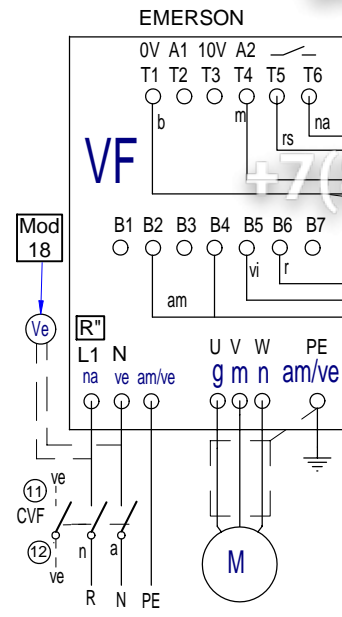
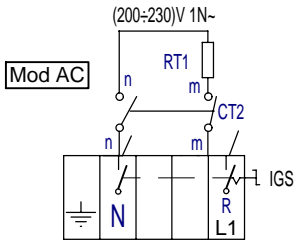
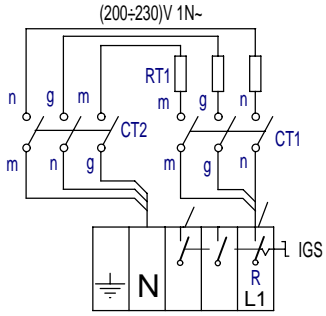
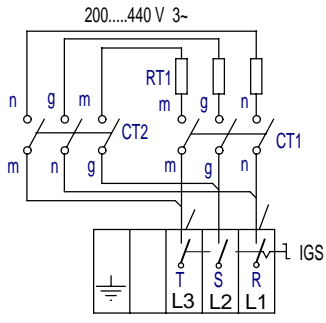
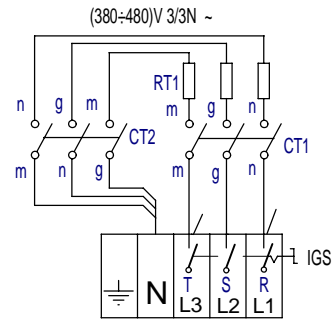
RECOMENDADOS / RECOMMENDED

ITEM	DENOMINACION	NAME	CODIGO	LR-25											
				MP			M			MA			M		
	CALENTAMIENTO	E	AC	V	E	AC	V	E	AC	V	E	AC	V		
10	ADHESIVO	ADHESIVE	12007721	1	1	1									1
			12007722				1	1	1						
			12007719								1	1			
10	ADHESIVO CP FAGOR MA	PC ADHESIVE FAGOR MA	12007741								1	1			
5	AMORTIGUADOR	DAMPER	12024980												8
16	SONDA TEMPERATURA	TEMPERATURE PROBE	12023814	1	1	1	1	1	1	1	1	1	1	1	1
18	RESISTENCIA CALENTAMIENTO	HEATING RESISTOR	12041359	3			3				3				3
18	RESISTENCIA CALENTAMIENTO	HEATING RESISTOR	12096226												3
14	CIERRE COMPLETO	COMPLETE LOCK	12127838	1	1	1	1	1	1	1	1	1	1	1	1
3	CORREA	BELT	12007744	1	1	1	1	1	1	1	1	1	1	1	
			12023252												1
13	MOTOR	ENGINE	12023189	1	1	1	1	1	1	1	1	1	1	1	1
10	EV 230V AC 50/60Hz 1 VIA	EV 230V AC 50/60Hz 1 WAY	12024404	1	1	1	1	1	1	1	1	1	1	1	1
2	REP VARIADOR PROGRA. LR-25	REP VARIATOR PROGRA. LR-25	12126776	1	1	1	1	1	1	1	1	1	1	1	
2	REP VARIADOR PROGRA. LA-25	REP VARIATOR PROGRA. LA-25	12126769												1
3	SECCIONADOR	CIRCUIT BREAKER	12024858		1	1		1	1			1			
			12024628	1			1				1			1	
7	TRANSFORMADOR	TRANSFORMER	12024920	1	1	1	1	1	1	1	1	1	1	1	1
8	CONTACTOR 230V AC 50/60Hz	CONTACTOR 230V AC 50/60Hz	12041014	2			2				2			2	
9	CONTACTOR CALENTAMIENTO	HEATING CONTACTOR	12111795	2			2				2			2	
9	CONTACTOR AUXILIAR 230V	AUXILIARY CONTACTOR 230V	12043923									1			
12	ELECTROVALVULA SIMPLE	SIMPLE SOLENOID VALVE	12025161	2	1	2	1		1					2	
16	ELECTROVALVULA SIMPLE	SIMPLE SOLENOID VALVE	12023551	3	2	2	2	2	2	2	2	2	2	3	2
16A	BOBINADO EV SIMPLE	SIMPLE SOLENOID VALVE COIL	12024622	3	2	2	2	2	2	2	2	2	2	3	2
17	ELECTROVALVULA TRIPLE	TRIPLE SOLENOID VALVE	12023921	1	1	1	1	1	1	1	1	1	1	1	
25	PLACA ENTRADAS-SALIDAS	INLET-OUTLET PLATE	12024457	1	1	1								1	
25	PLACA ENTRADAS-SALIDAS	INLET-OUTLET PLATE	12024197				1	1	1	1	1	1			
26	VISUALIZADOR	VIEWER	12023357	1	1	1								1	
26	VISUALIZADOR	VIEWER	12024780				1	1	1	1	1	1			
27	INTERRUPTOR GENERAL	POWER SWITCH	12024634	1	1	1	1	1	1	1				1	
32	PLC PROGRAMADO 3KW	PLC PROGRAMMED 3KW	12043487	1	1	1	1	1	1	1	1	1			
32	PLC PROGRAMADO 3KW	PLC PROGRAMMED 3KW	12041245											1	

Зип Общепит

vsezip.ru

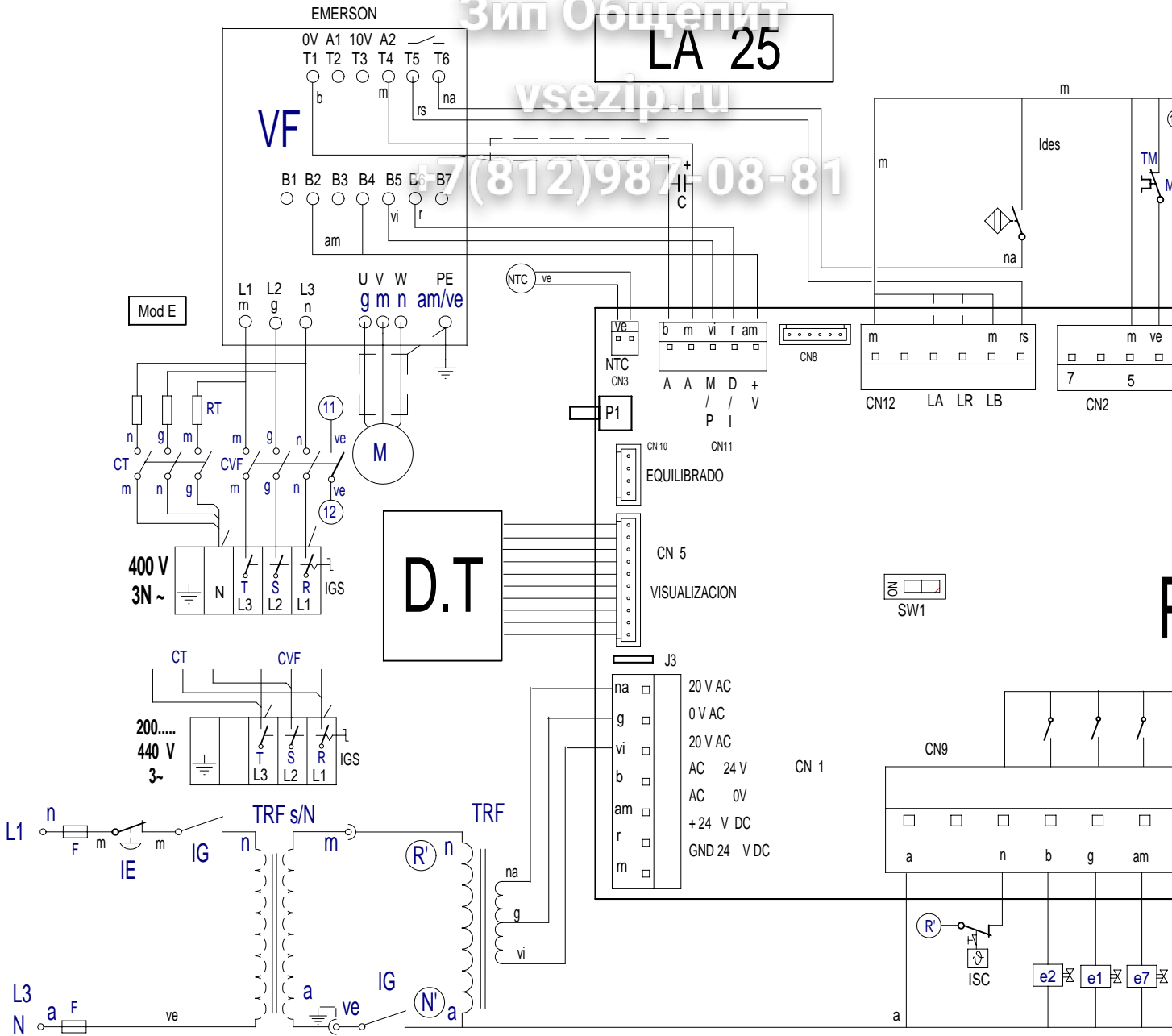
+7(812)987-08-81



Зип Общепит
vsezip.ru

LA 25

7(812)987-08-81



Simb / LENG	ESPAÑOL	FRANÇAIS	ENGLISH	DEUTSCH
CT =	Contactador Calentamiento	Contacteur Chauffage	Heating Contactor	Heizschütz
DP =	Detector posición.	Détecteur position	Position detector	Stellung Taster
DS1	Dosificador Neutralizante.	Doseur Neutralisant	Neutralizer feeder	Dosiervorrichtung Neutralspülmittel
DS2	Dosificador jabon liquido.	Doseur lessive liquide	Liquid soap feeder	Dosiervorrichtung Flüssigseife
DS3	Dosificador aditivos.	Doseur additifs	Additive feeder	Dosiervorrichtung Zusatzmittel
D.T.	Display/Tedado	Ecran/Clavier	Display/Keyboard	Display/Tastatur
e1 =	Electro válvula agua Fria.	Électrovanne eau Froide	Cold water electrically operated valve	Elektroventil Kaltwasser
e2 =	Electro válvula agua Caliente	Électrovanne eau Chaude	Hot water electrically operated valve	Elektroventil Warmwasser
e3 =	Electro válvula Prelavado.	Électrovanne Prélavage	Pre-wash electrically operated valve	Elektroventil Vorwaschen
e4 =	Electro válvula Lavado.	Électrovanne Lavage	Wash electrically operated valve	Elektroventil Hauptwaschgang
e5 =	Electro válvula Lejia.	Électrovanne au Blei	Bleach electrically operated valve	Elektroventil Bleiche
e6 =	Electro válvula Suavizante.	Électrovanne Assouplissant	Softener electrically operated valve	Elektroventil Weichspüler
e7 =	Electro válvula agua Descalcificada	Électrovanne Eau Aducie	Deionized water electrically operated valve	Elektroventil entkalktes Wasser
e8 ,9,10 =	Electro válvula Equilibrado	Électrovanne Equilibrage	Balancer electrically operated valve	Elektroventil Gleichgewicht
e11 =	Electro válvula Vapor.	Électrovanne Vapeur	Steam electrically operated valve	Elektroventil Dampf
EP =	Electroimán de Puerta.	Électro-aimant de Porte	Door electric magnet	Elektromagnet Gerätedür
FI =	Filtro de Interferencias.	Filtre Anti-parasites	Interference filter	Störungsfilter
F =	Fusible.	Fusible	Fuse	Sicherung
G1/G2 =	Galga Sensor.	Jauge Capteur	Sensing gage	Meßsensor
IE =	Pulsador Parada de emergencia.	Bouton-poussoir Arrêt d'urgence	Emergency stop push button	Not-Aus-Taster
IG =	Interruptor general.	Interrupteur général	General switch	Hauptschalter
IGS =	Interruptor General de seguridad.	interrupteur Général de sécurité	General safety switch	Sicherheitshauptschalter
Ides =	Interruptor de desequilibrio.	Interrupteur de balourd	Unbalance switch	Ungleichgewichtsschalter
IMo =	Interruptor Monedero.	Interrupteur Monnayeur	Coin slot switch	Münzschalter
Ip =	Interruptor puerta Cerrada.	Interrupteur porte Fermée	Closed door switch	Schalter Tür geschlossen
Ipb =	Interruptor puerta bloqueada.	Interrupteur porte verrouillee	Door lock switch	Schalter Tür verriegelt
Isc =	Interruptor seguridad Temperatura	Thermostat Limiteur	Hi-limit Thermostat	Grenzthermostat
M =	Motor.	Moteur	Motor	Motor
Mo =	Monedero.	Monnayeur	Coin slot	Münzvorrichtung
NTC =	Sensor temperatura..	Capteur température	Temperature sensor	Temperatursensor
RT =	Resistencia Calentamiento.	Résistance Chauffe	Heating Resistors	Widerstand Aufheizung
Tm =	Térmico de Motor.	Thermique du Moteur	Motor hot-wire	Motorwärmeschalter
Trf =	Transformador	Transformateur	Transformer	Transformator
Trf s/N =	Transformador Versión sin Neutro.	Transformateur Version sans Neutre	Transformer Version without Neutral	Transformator Modell ohne Neutralstellung
VAC =	Válvula Vaciado	Vanne Vidange	Emptying valve	Ablassventil
Ve =	Ventilador.	Ventilateur	Fan	Ventilator
VF =	Convertidor de Frecuencia.	Convertisseur de Fréquence	Frequency converter	Frequenzumwandler
VM =	Ventilador Motor.	Ventilateur Moteur	Fan motor	Ventilator Motor
1...8 =	Puntos conexión dosificadores.	Points raccordement doseurs	Feeder connection points	Anschlussstellen Dosiervorrichtungen
COLOR	COLORES	COULEURS	COLOUR	FARBEN
a =	Azul	Bleu	Blue	Blau
am =	Amarillo	Jaune	Yellow	Gelb
am/ve =	Amarillo/verde	Jaune / vert	Yellow / green	Gelb/grün
b =	Bianco	Blanc	White	Weiß
g =	Gris	Gris	Grey	Grau
m =	Marrón	Marron	Brown	Braun
n =	Negro	Noir	Black	Schwarz
na =	Naranja	Orange	Orange	Orange
r =	Rojó	Rouge	Red	Rot
rs =	Rosa	Rose	Pink	Rosa
ve =	Verde	Vert	Green	Grün
vi =	Violeta	Violet	Purple	Violett

Legenda LAVAD