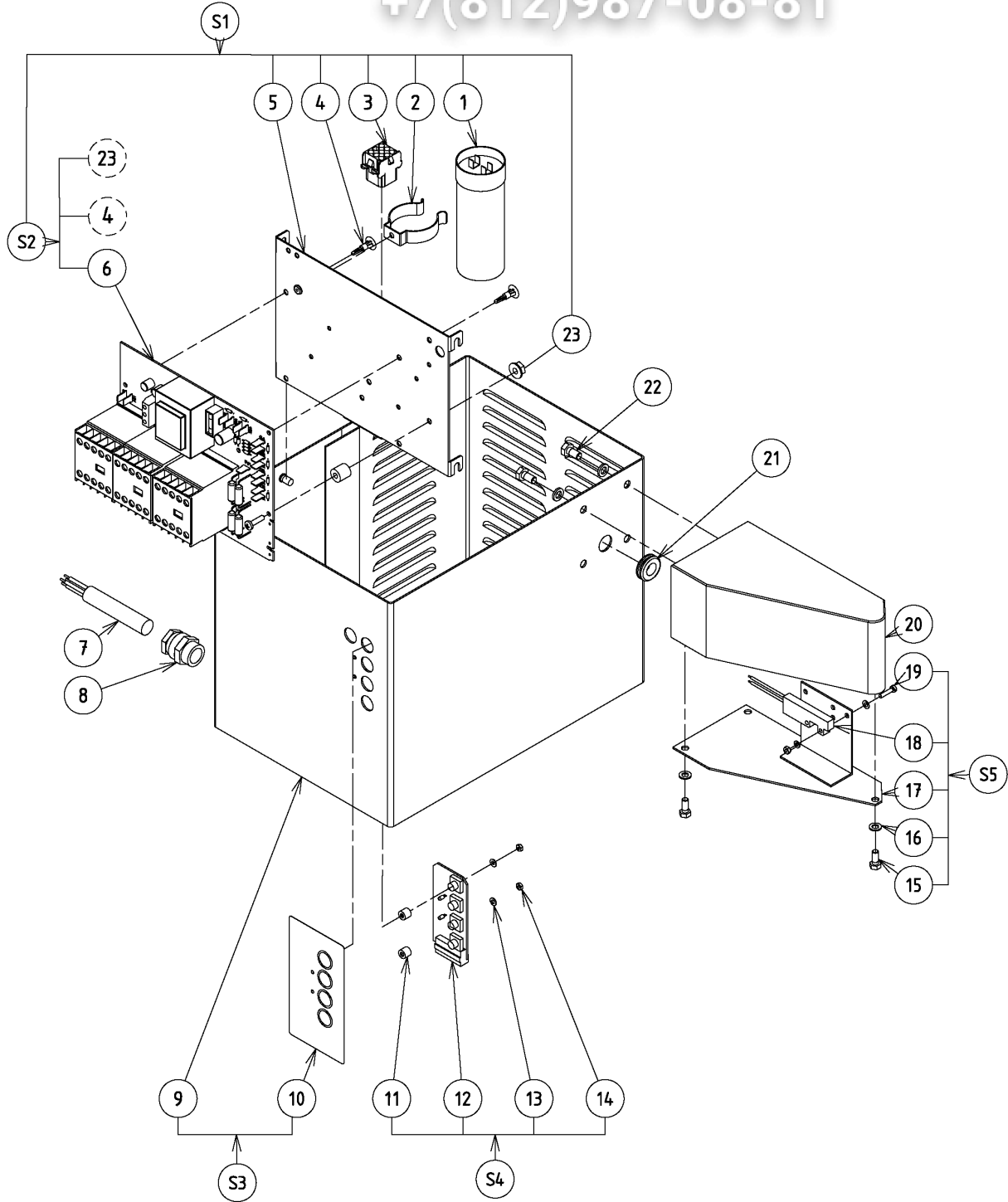


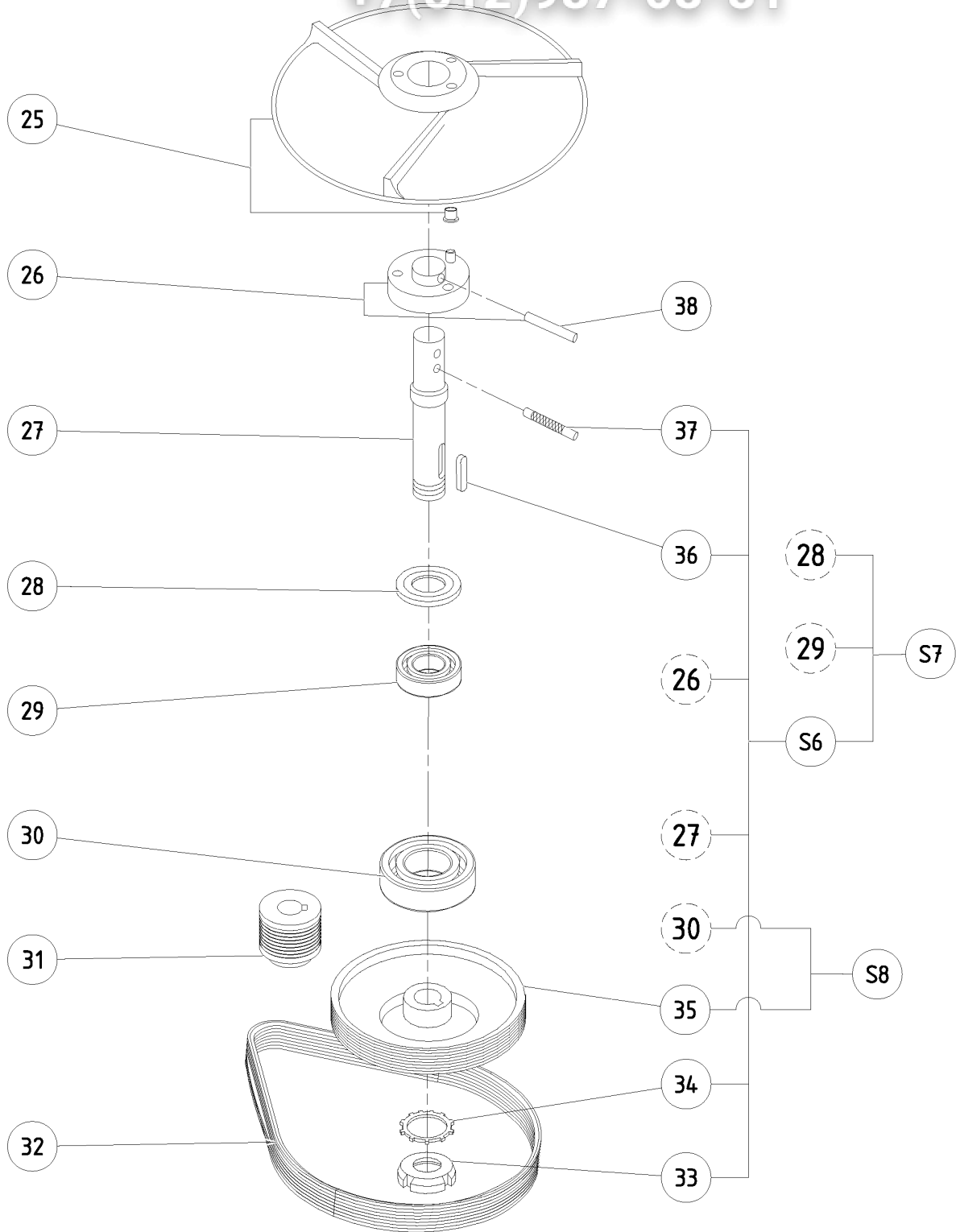
Vue éclatée - Caisson + commande / Exploded view Casing + tactile control / Explosionszeichnung Gehäuse + Touch-Bedienerfeld

+7(812)987-08-81

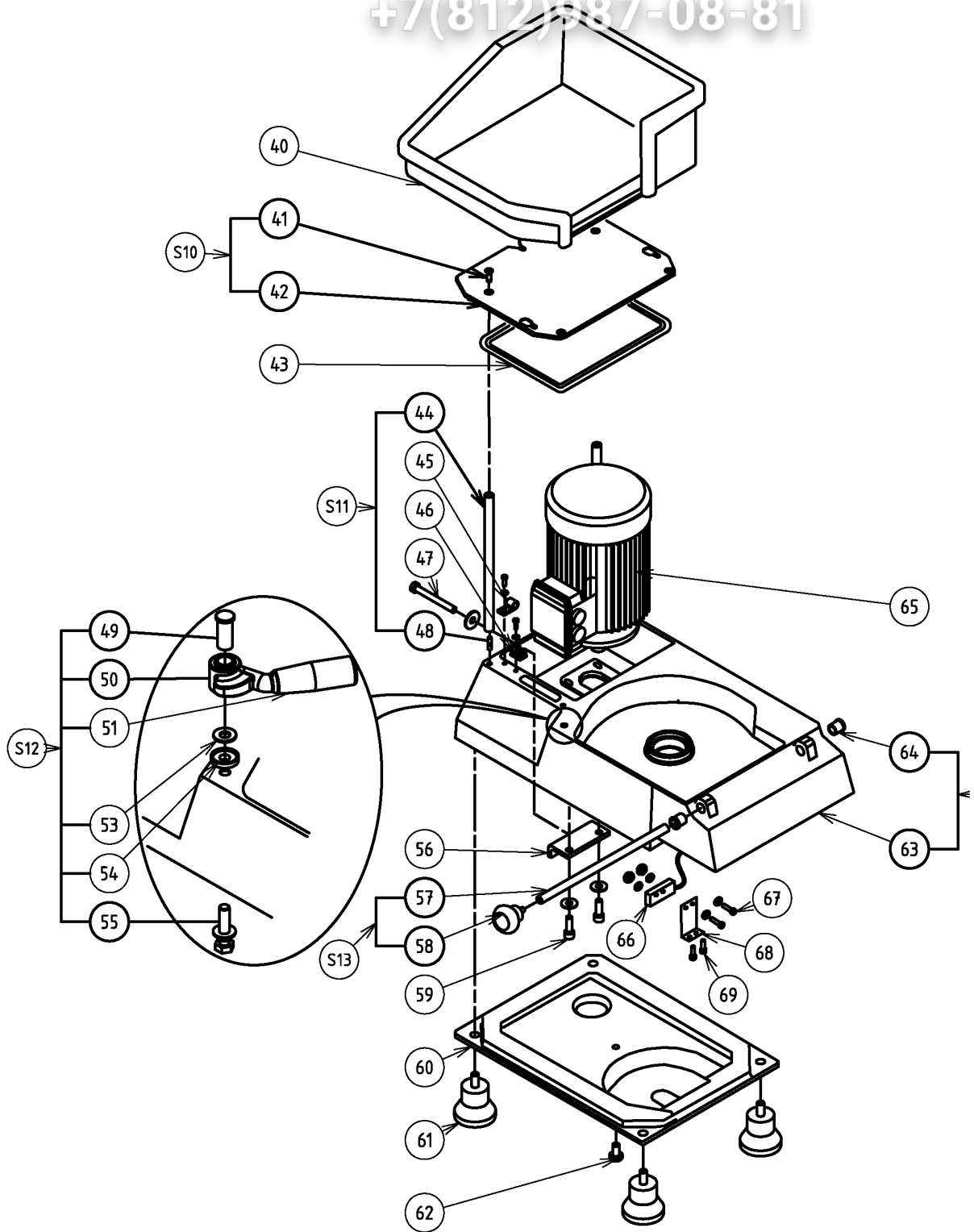


| Pos. | Spare Part | Alias Code | Repl. by | S | Info | Kit | Techn. Bulletin | Description | Notes |
|-------|---|------------|----------|---|------|-----|-----------------|--|--------|
| Model | All | | | | | | | | |
| Table | SP TR260 Page 2 Exploded view Casing+ tactile control | | | | | | | | |
| 0001 | 0H1034 | | | S | A | | | CAPACITOR; 200MF | |
| 0002 | 0D3491 | | | | D | | | YORKER 100X16 (SET X6) | |
| 0003 | 0D5632 | | | | D | | | BOITIER FEMELLE; 9V 003507821 | |
| 0004 | 0D2848 | | | | | | | PRINTED CIRCUIT FIXING SPACER (SET X6) | |
| 0005 | 0D5754 | | | | D | | | SUPPORT; TR260 | |
| 0006 | 000000 | | | | | | | | See S2 |
| 0007 | 0D3941 | | | | | | | CABLE; 3PH | |
| 0007 | 0D5645 | | | | | | | SUPPLY CABLE; UL TRI K120/180 | |
| 0007 | 0D6097 | | | | | | | CORDON ALIMENTATION MONO TR260 | |
| 0008 | 0D2073 | | | | | | | STUFFING BOX ASSY PL-CD4/8/13 | |
| 0009 | 0D5755 | | | | | | | CONTAINER; CI TR260 | |
| 0010 | 0D5756 | | | | D | | | CONTROL PANEL; 1V TR260 | |
| 0010 | 0D5757 | | | | D | | | CONTROL PANEL; 2V TR260 | |
| 0010 | 0D5758 | | | | D | | | CONTROL PANEL; 2V US TR260 | |
| 0011 | 0D5633 | | | | D | | | SPACER; CI (JEU X10) | |
| 0012 | 000000 | | | | | | | | See S4 |
| 0013 | 0D5188 | | | | | | | WASHER; PE M3; 10 PCS | |
| 0014 | 0D5404 | 33987 | 033987 | | | | | NUT; HU M3 (JEU10) | |
| 0015 | 0D0506 | | | | D | | | SCREW; 10 PCS | |
| 0016 | 0D2297 | | | | D | | | WASHER CS M5 SET X10 | |
| 0017 | 0D6042 | | | | D | | | PORTE SECURITE TR250 | |
| 0018 | 0KQ281 | | 0D5191 | | A | | | SENSOR | |
| 0019 | 000000 | 33986 | | | | | | | |
| 0019 | 0D0608 | | | | | | | SCREW; 10 PCS | |
| 0019 | 0D2877 | | | | | | | WASHER GALVA STL3 SET X10 | |
| 0019 | 0D5404 | 33987 | 033987 | | | | | NUT; HU M3 (JEU10) | |
| 0020 | 0KQ592 | | | | D | | | SWITCH | |
| 0021 | 0D0946 | | | | D | | | GROMMET; 10 PCS | |
| 0022 | 0D0594 | | | | | | | SCREW; 10 PCS | |
| 0023 | 0D2321 | | | | | | | SCREW; SET 10PCS; M4X20 | |
| 0023 | 0D3065 | | | | | | | NUT HU M4 WRAPPED (SET X10) | |
| 0023 | 0D6441 | | | | K | Kit | | SPACER; SET 10PCS; 4X10X10 | |
| 00S1 | 0D5759 | | | | D | | | SUPPORT; MONO TR260 | |
| 00S1 | 0D5760 | | | | | | | SUPPORT; TRI TR260 | |
| 00S2 | 0D5679 | | | S | | | | POWER BOARD; 2V EQ TBX | |
| 00S2 | 0KQ429 | | | S | A | | | POWER BOARD; 1-P 220/240V-50/60HZ | |

| Pos. | Spare Part | Alias Code | Repl. by | S | Info | Kit | Techn. Bulletin | Description | Notes |
|------|------------|------------|----------|---|------|-----|-----------------|-----------------------------|-------|
| 00S3 | 0D5761 | | | | D | | | CONTAINER; EQ 1V TR260 | |
| 00S3 | 0D5762 | | | | D | | | CONTAINER; EQ 2V STD TR260 | |
| 00S3 | 0D5763 | | | | D | | | CONTAINER; EQ 2V USA TR260 | |
| 00S4 | 0D5764 | | | | | | | CARD; CDE 1V COMPLETE TR260 | |
| 00S4 | 0D5765 | | | | | | | CARD; CDE 2V COMPLETE TR260 | |
| 00S5 | 0D5766 | | | | D | | | BRACKET; EQ TR260 | |



| Pos. | Spare Part | Alias Code | Repl. by | S | Info | Kit | Techn. Bulletin | Description | Notes |
|------|------------|------------|----------|---|------|-----|-----------------|--------------------------------|--------|
| 0025 | 0KQ674 | | | S | A | | | EJECTOR | |
| 0026 | 0KQ534 | | | S | | | | EJECTOR DRIVING | |
| 0027 | 000000 | | | | | | | | See S6 |
| 0028 | 0D3533 | | | S | | | | LIPPED SEAL 35X62X7 (SET X5) | |
| 0029 | 0D0006 | | | S | | | | BEARING | |
| 0030 | 0D0004 | | | S | | | | BEARING; 6008 2RS | |
| 0031 | 0D0915 | | | | | | | TR260 DRIVE PULLEY ASSY | |
| 0032 | 0KJ743 | | | S | A | | | BELT | |
| 0033 | 0D3035 | | | | | | | SLOTTED NUT M25 (SET X5) | |
| 0034 | 0HD003 | | | | | | | LOCK WASHER; 5 PCS | |
| 0035 | 0D0003 | | | | | | | PULLEY | |
| 0036 | 0D2915 | | | | | | | WEDGE A 6X6X38 (X10) | |
| 0037 | 0KQ697 | | | | | | | PIN | |
| 0038 | 0KQ516 | | | | | | | PIN; 10 PCS | |
| 00S6 | 0KQ676 | | | | A | | | SHAFT | |
| 00S7 | 0D0913 | | | S | | | | TR260 COMPLETE DRIVE MECHANISM | |
| 00S8 | 0D0914 | | | | | | | TR260 DRIVEN PULLEY ASSY | |



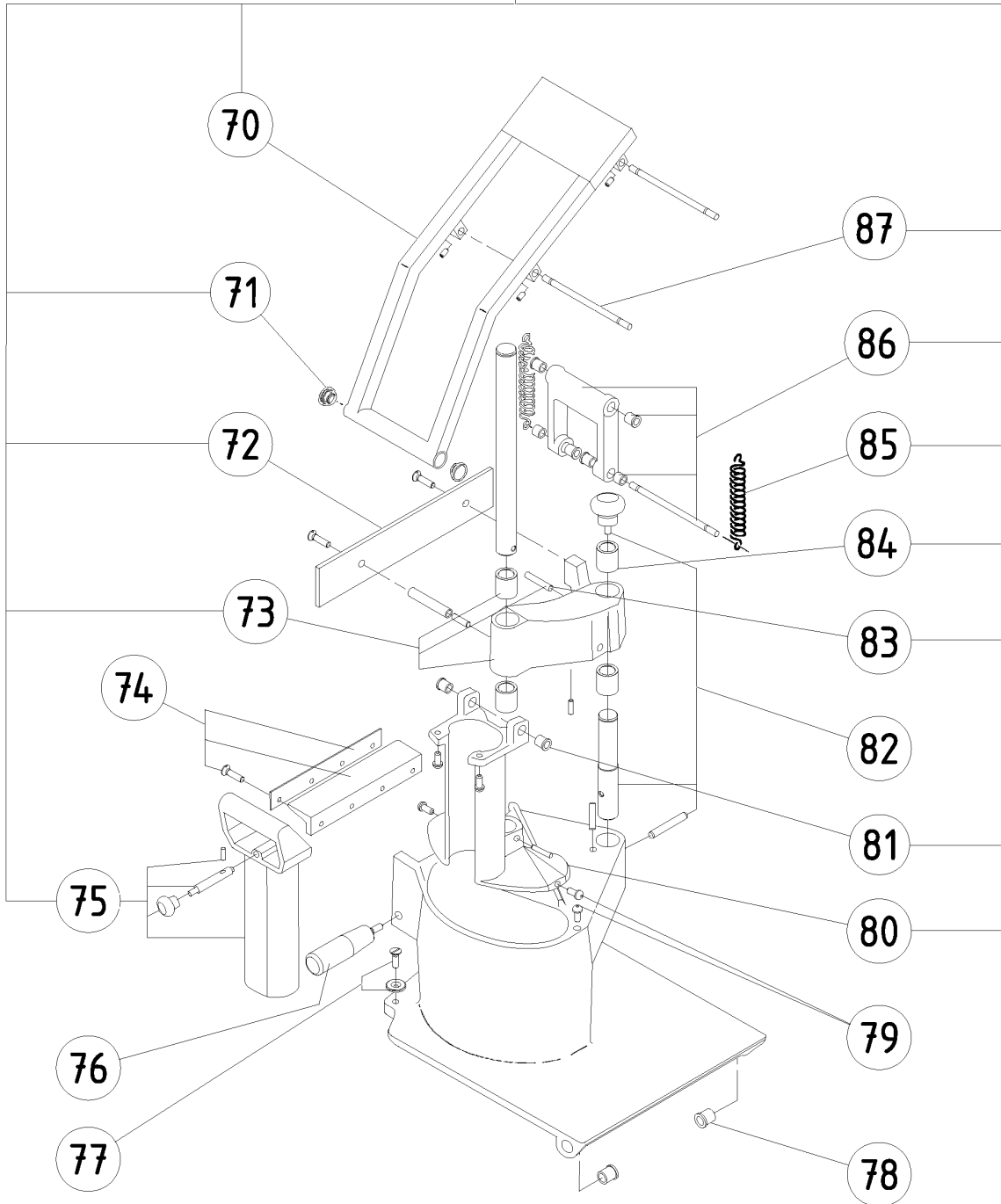
| Pos. | Spare Part | Alias Code | Repl. by | S | Info | Kit | Techn. Bulletin | Description | Notes |
|-------|------------------------------------|------------|----------|---|------|-----|-----------------|--|---------|
| Model | All | | | | | | | | |
| Table | SP TR260 Page 8 Exploded view Body | | | | | | | | |
| 0040 | 0KQ568 | | | | | | | CONTAINER TR 250 | |
| 0041 | 0U0659 | | | | | | | SCREW; 4 PCS | |
| 0042 | 000000 | | | | | | | | See S10 |
| 0043 | 0D0800 | | | | | | | TR250 SEAL | |
| 0044 | 0D0008 | | | | | | | ROD | |
| 0045 | 0D1708 | | | | | | | COLLAR; ASS. | |
| 0046 | 0D3567 | | | | D | | | BRASS EARTH TERMINAL (SET X5) | |
| 0047 | 0D0503 | | | | | | | NUT; 10 PCS | |
| 0047 | 0D0616 | | | | D | | | TR21 SCREW FOR BELT TENSION | |
| 0047 | 0D0624 | | | | | + | | WASHER; SET 10PCS | |
| 0048 | 0D3541 | | | | D | | | PIN M6X20X8X8 MILD GALVA STL (SET X10) | |
| 0049 | 0D6109 | | | | D | | | AXE VERROU XB40 (JEU X2) | |
| 0050 | 000000 | | | | | | | | See S12 |
| 0051 | 0D6125 | | | | D | | | POIGNEE I580/65 N-12 | |
| 0053 | 0KQ524 | | | | | | | WASHER; 10 PCS BMX60 | |
| 0054 | 0D5707 | | | | | | | | |
| 0055 | 0D0591 | | | | | | | SCREW; 10 PCS | |
| 0055 | 0D0632 | | | | | | | WASHER CS M8 (SET OF 10 PCS) | |
| 0056 | 0D0656 | | | | | | | CLIP; 10 PCS | |
| 0057 | 000000 | | | | | | | | See S13 |
| 0058 | 0D0010 | | | | | | | HANDLE | |
| 0059 | 0D1660 | | | S | D | | | SCREW; 10 PCS; 8*25 | |
| 0059 | 0D3538 | | | | D | | | WASHER CS L8 GALVA STL8B (SET X10) | |
| 0060 | 0D0001 | | | | | | | BOTTOM | |
| 0061 | 0KQ456 | | | | | | | FOOT; 4 PCS | |
| 0062 | 0D0601 | | | | | | | SCREW; 10 PCS | |
| 0063 | 000000 | | | | | | | | See S14 |
| 0064 | 0KJ010 | | | S | A | | | BUSHING | |
| 0065 | 0D5767 | | | | | | | MOTOR; MONO EQ TR260 | |
| 0065 | 0D5768 | | | | | | | MOTOR; TRI EQ TR260 | |
| 0066 | 0KQ281 | | 0D5191 | | A | | | SENSOR | |
| 0067 | 033986 | | | | | + | | SCREW; 10 PCS | |
| 0067 | 033987 | | | | | + | | SCREW; 10 PCS | |
| 0067 | 0D0608 | | | | | | | SCREW; 10 PCS | |
| 0068 | 0D6353 | | | | D | | | BRACKET; SECURITE TR250 | |
| 0069 | 0D0594 | | | | | | | SCREW; 10 PCS | |

| Pos. | Spare Part | Alias Code | Repl. by | S | Info | Kit | Techn. Bulletin | Description | Notes |
|------|------------|------------|----------|---|------|-----|-----------------|---------------------------|-------|
| 0S10 | 0D6098 | | | | D | | | PLAQUE FERMETURE EQ TR260 | |
| 0S11 | 0D5769 | | | | D | | | FOOD; EQ TR260 (JFU X4) | |
| 0S12 | 0D6402 | | | | | | | LOCK BOLT; NM EQ TR260 | |
| 0S13 | 0KQ673 | | | | A | | | KNOB WITH BAR | |

Nomenclature trémie standard / Parts list hopper /
Stückliste - Standardtrichter / Nomenclatura - Tramoggia
standard / Nomenclatura - Tolva estándar

+7(812)987-08-81

S15



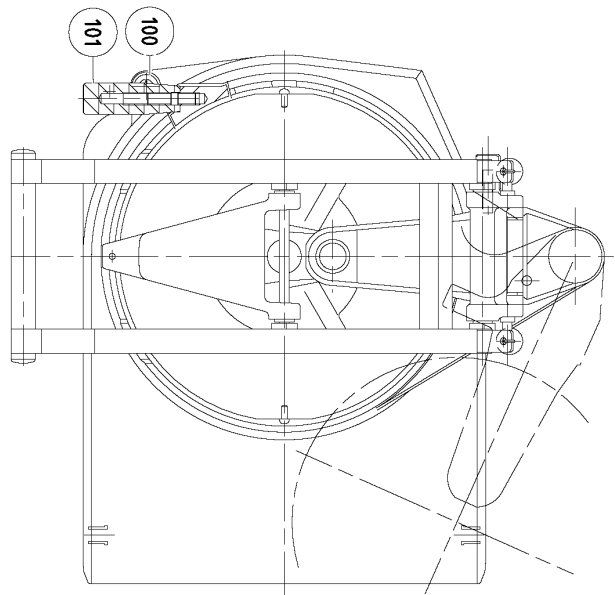
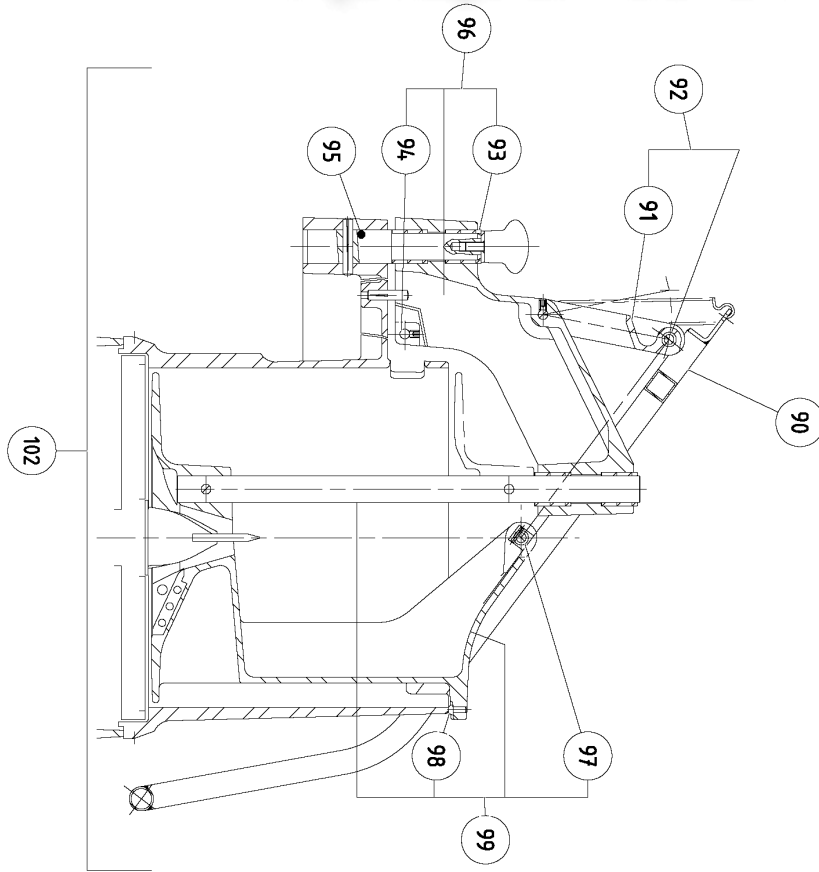
Model All

Table SP TR260 Page 12 Parts list hopper

| Pos. | Spare Part | Alias Code | Repl. by | S | Info | Kit | Techn. Bulletin | Description | Notes |
|------|------------|------------|----------|---|------|-----|-----------------|----------------------------------|-------|
| 0070 | 0D2657 | | | | | | | LEVER STD ASSY TR260 | |
| 0071 | 0D0027 | | | | D | | | CAP COVER | |
| 0072 | 0D5773 | | | | | | | SHUTTER ASSEMBLY; EQ TR260 | |
| 0073 | 0D0110 | | | | | | | TR250 EQUIPPED BRACKET | |
| 0074 | 0D5774 | | | | | | | GASKET; PROFILE EQ TR260 | |
| 0075 | 0KJ761 | | | | A | | | FEEDSTICK ASSEMBLY TR250 | |
| 0076 | 0U0482 | | | | | | | COVER HANDLE & STUD | |
| 0077 | 0D0911 | | | | | | | TR260 NUT PAD ASSEMBLY | |
| 0078 | 0KJ010 | | | S | A | | | BUSHING | |
| 0079 | 0KQ699 | | | | | | | LIMIT STOP/THRUST BEARING; 5 PCS | |
| 0080 | 0D2659 | | | | D | | | PRESSER STD ASSY TR260 | |
| 0081 | 0KJ599 | | | S | A | | | BUSHING; 5 PCS | |
| 0082 | 0D2660 | | | | | | | PIVOT SHAFT ASSY TR260 | |
| 0083 | 0KJ062 | | | S | A | | | MAGNET; 8X35 | |
| 0084 | 0D0031 | | | S | | | | BUSH | |
| 0085 | 0D0912 | | | | | | | SPRING; 2 PCS | |
| 0086 | 0D2658 | | | | | | | LINK ROD ASSY TR260 | |
| 0087 | 0D0029 | | | | D | | | PIN | |
| 0S15 | 0D5488 | | | | | | | LEVER; COMPLETE EQ TR260 | |

Vue éclatée trémie choux / Exploded view hopper /
Explosionszeichnung - Kohltrichter / Esploso - Tramoggia
cavoli / Despiece - Tolva coles

+7(812)987-08-81



N

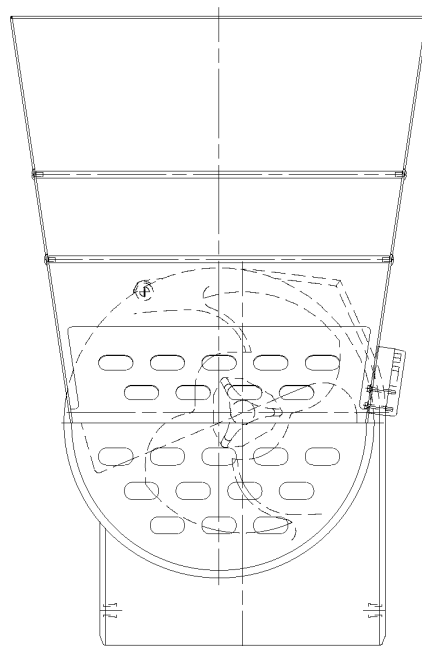
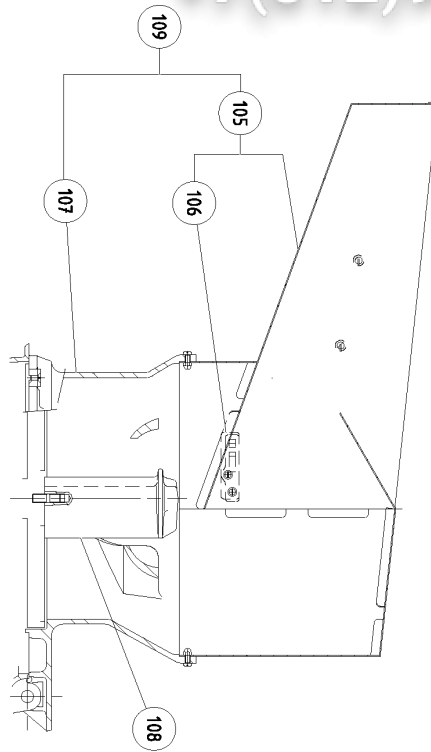
TR 260 FR 05 06

| Pos. | Spare Part | Alias Code | Repl. by | S | Info | Kit | Techn. Bulletin | Description | Notes |
|------|------------|------------|----------|---|------|-----|-----------------|----------------------------------|-------|
| 0090 | 0D5776 | | | | D | | | LEVER; EQ TR260 | |
| 0091 | 0D0912 | | | | | | | SPRING; 2 PCS | |
| 0092 | 0D2658 | | | | | | | LINK ROD ASSY TR260 | |
| 0093 | 0D0031 | | | S | | | | BUSH | |
| 0094 | 0KJ062 | | | S | A | | | MAGNET; 8X35 | |
| 0095 | 0D2660 | | | | | | | PIVOT SHAFT ASSY TR260 | |
| 0096 | 0D5777 | | | | D | | | FRAME ASSEMBLY; EQ TR260 | |
| 0097 | 0KJ599 | | | S | A | | | BUSHING; 5 PCS | |
| 0098 | 0KQ699 | | | | | | | LIMIT STOP/THRUST BEARING; 5 PCS | |
| 0099 | 0D1570 | | | | D | | | | |
| 0100 | 0D0911 | | | | | | | TR260 NUT PAD ASSEMBLY | |
| 0101 | 0U0482 | | | | | | | COVER HANDLE & STUD | |
| 0102 | 000000 | 21038 | | | | | | | |

Зип Общежит

**Vue éclatée trémie choux / Exploded view Automatic
Hopper / Explosionszeichnung - Automatischer Trichter /
Esploso - Tramoggia automatica / Despiece - Tolva automática**

+7(812)987-08-81



| Pos. | Spare Part | Alias Code | Repl. by | S | Info | Kit | Techn. Bulletin | Description | Notes |
|------|------------|------------|----------|---|------|-----|-----------------|----------------------------|-------|
| 0105 | 0D5778 | | | | | | | CHARGEUR; EQ TR260 | |
| 0106 | 0D3222 | | | | | | | MAGNET HOLDER ASSY CRUDITO | |
| 0107 | 0D5779 | | | | D | | | RAMPE; EQ TR260 | |
| 0108 | 0D2656 | | | | | | | AGITATOR ASSY TR260 | |
| 0109 | 000000 | 23794 | | | | | | | |