

Зип Общепит

vsezip.ru

DESPIECE TECNICO

+7(812)987-08-81

**Lavavajillas de apertura frontal
Lave-vaisselle à ouverture frontale
Front loading dishwasher
Geschirrspülmaschinen mit frontbeladung
Lavastoviglie ad apertura frontale
Lava-louças de apertura frontal**

Modelos:

**AD-64
AD-64 B
AD-64 C
AD-64 D
AD-64 DD**

Diciembre 2009 December

Revisado Septiembre 2010

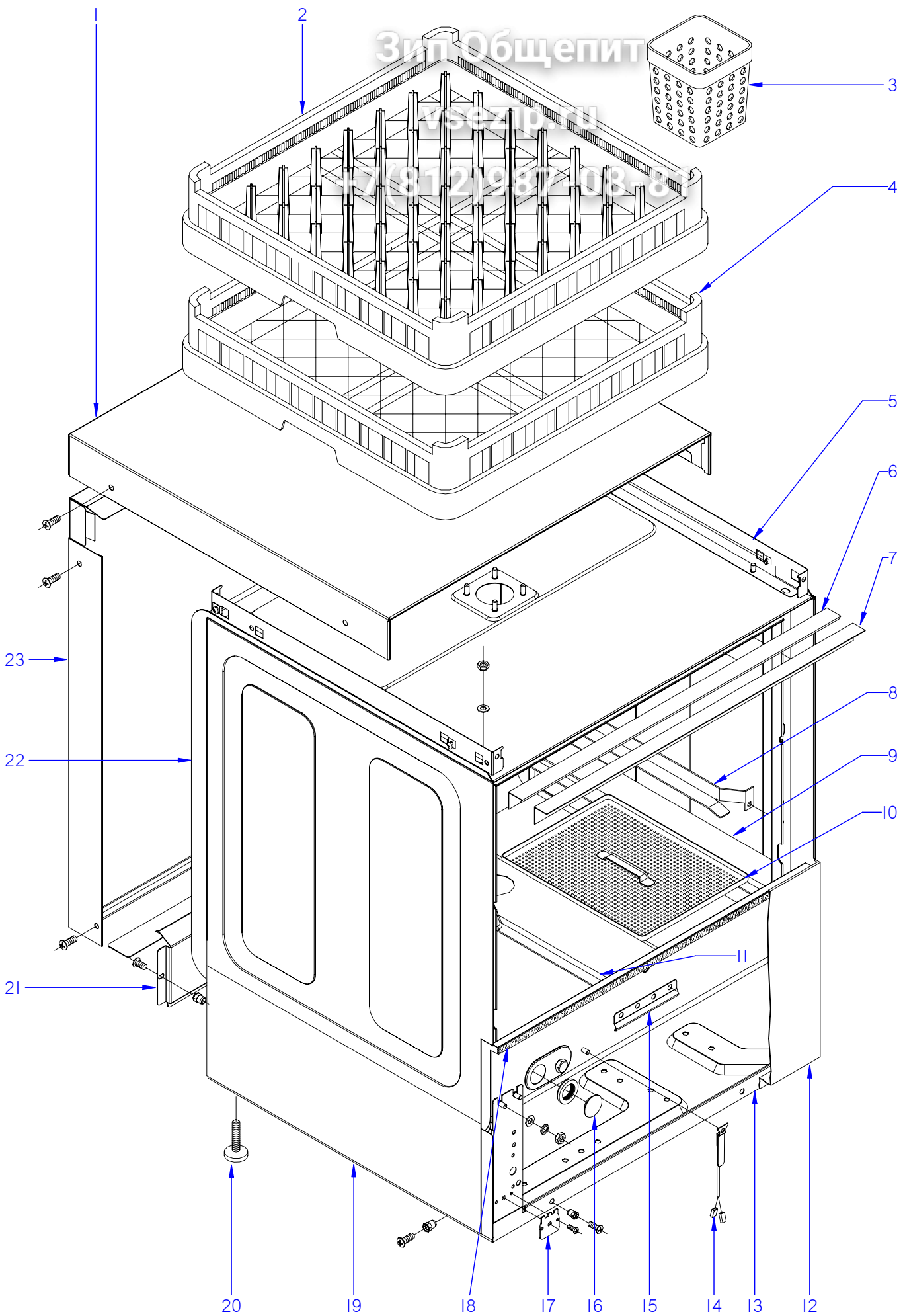


Fagor Industrial

Зит Общепит

всезр.ш

+7(812)987-08-87



ITEM MARCADO EN COLOR = REPUESTO RECOMENDADO
COLOURED ITEM = RECOMMENDED SPARE PART

| | | | | | | |
|---------|--------------------|---------|--------------------|--------|--------|---------------------------------------|
| N plano | Firma | Fecha | Aparato | MUEBLE | Lamina | Fagor Industrial S.Coop. FAGOR |
| C-2470 | <i>(Signature)</i> | 2009-12 | LAVAVAJILLAS AD-64 | | 1 | Oñate |

| MOD. | | LAVAVAJILLAS DE APERTURA FRONTAL | | ZONA | MUEBLE | | | | |
|------|------------|----------------------------------|-----------------------------|-------|---------|---------|---------|----------|--|
| ITEM | CODIGO | DENOMINACION | TEXTO | AD-64 | AD-64 B | AD-64 C | AD-64 D | AD-64 DD | |
| 1 | Z202929000 | TAPA AD | COVER | 1 | 1 | - | 1 | 1 | |
| 1 | Z212919000 | TAPA DOBLE PARED AD48 | COVER AD48 | - | - | 1 | - | - | |
| | Q221342000 | REMACHE EXAGONAL M5 | HEXAGONAL RIVET M5 | 2 | 2 | 2 | 2 | 2 | |
| | Q152004000 | TORNIL, APLASTADO M5x13 A304 | FLAT HEADED BOLT M5x13 A304 | 6 | 6 | 6 | 6 | 6 | |
| 2 | Z655302000 | CESTILLO PLATOS CP-16-18 | BASKET CP-16-18 | 1 | 1 | 1 | 1 | 1 | |
| 3 | Z655314000 | CESTILLO CUBIERTOS | CUTLERY BASKET | 4 | 4 | 4 | 4 | 4 | |
| 4 | Z655301000 | CESTILLO BASE CT-10 | BASE BASKET CT-10 | 1 | 1 | 1 | 1 | 1 | |
| | Z209121000 | TOPE 50x50x80 | TOP 50x50x80 | 2 | 2 | 2 | 2 | 2 | |
| 5 | Z200329000 | ESCUADRA AMARRE TAPA AF | FASTENING BRACKET COVER | 2 | 2 | - | 2 | 2 | |
| 5 | Z200346000 | ESCUADRA AMARRE TAPA AF | FASTENING BRACKET COVER | 2 | 2 | - | 2 | 2 | |
| 5 | Z210301000 | ESCUADRA AMARRE P.LATERAL | FASTENING BRACKET | - | - | 2 | - | - | |
| S/Nº | Z210302000 | ESCUADRA DOBLE PARED | FASTENING | - | - | 4 | - | - | |
| | Q232040000 | ARANDELA A6 | WASHER A6 | 4 | 4 | 4 | 4 | 4 | |
| | Q162040000 | TUERCA EXAGONAL M6 | HEXAGONAL NUT M6 | 4 | 4 | 4 | 4 | 4 | |
| | Q221012000 | TUERCA RAPIDA M,5 | RAPID NUT M,5 | 6 | 6 | 6 | 6 | 6 | |
| | Q012073000 | TORNILLO EXAGONAL M12X20 | HEXAGONAL BOLT M12X20 | 3 | 3 | 3 | 3 | 3 | |
| | Q306024000 | JUNTA18X12.5X1.5 | SEAL 18X12.5X1.5 | 3 | 3 | 3 | 3 | 3 | |
| | Q162070000 | TUERCA EXAGONAL M12 | HEXAGONAL NUT M12 | 3 | 3 | 3 | 3 | 3 | |
| 6 | Z200315000 | PERFIL CAJA | BOX PROFILE | 1 | 1 | 1 | 1 | 1 | |
| 7 | Z200309000 | ESCUADRA SUJECCION PERFIL | FASTENING BRACKET PROFILE | 1 | 1 | 1 | 1 | 1 | |
| 8 | Z200305000 | GUIA CESTILLO DERECHO | RIGHT BASKET GUIDE | 1 | 1 | 1 | 1 | 1 | |
| S/Nº | Z200306000 | GUIA CESTILLO IZQUIERDO | LEFT BASKET GUIDE | 1 | 1 | 1 | 1 | 1 | |
| | Q162040000 | TUERCA EXAGONAL M6 | WASHER A6 | 4 | 4 | 4 | 4 | 4 | |
| | Q232040000 | ARANDELA A6 | HEXAGONAL NUT M6 | 4 | 4 | 4 | 4 | 4 | |
| 9 | Z210805000 | SOPORTE DERECHO BANDEJAS | RIGHT TRAY SUPPORT | 1 | 1 | 1 | 1 | 1 | |
| S/Nº | Z210806000 | SOPORTE IZDO. BANDEJAS | LEFT TRAY SUPPORT | 1 | 1 | 1 | 1 | 1 | |
| | Q162040000 | TUERCA EXAGONAL M6 | HEXAGONAL NUT M6 | 4 | 4 | 4 | 4 | 4 | |
| | Q232040000 | ARANDELA A6 | WASHER A6 | 4 | 4 | 4 | 4 | 4 | |
| 10 | Z210802000 | BANDEJA COMPLETA | COMPLETE TRAY | 4 | 4 | 4 | 4 | 4 | |
| 11 | Z210804000 | SOPORTE CENTRAL BANDEJAS | TRAY SUPPORT CENTRAL | 1 | 1 | 1 | 1 | 1 | |
| | | | | | | | | | |
| | | | | | | | | | |

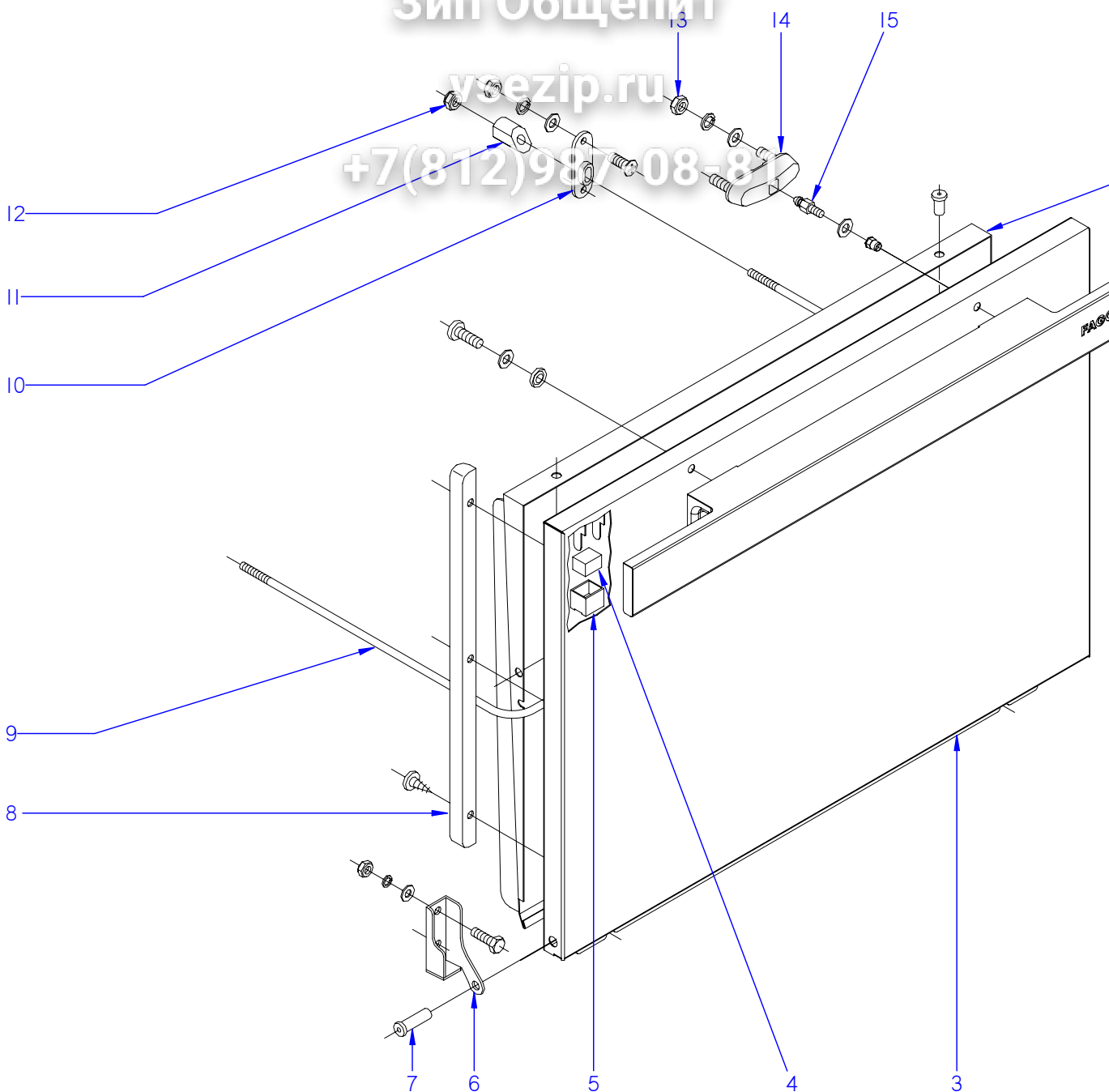
| | | | |
|-------------|---|-------------|---------------|
| MOD. | LAVAVAJILLAS DE APERTURA FRONTAL | ZONA | MUEBLE |
|-------------|---|-------------|---------------|

| ITEM | CODIGO | DENOMINACION | TEXTO | AD-64 | AD-64 B | AD-64 C | AD-64 D | AD-64 DD |
|------|------------|-------------------------------|-----------------------------|-------|---------|---------|---------|----------|
| 12 | Z202913000 | PANEL FRONTAL SIN PUERTA | FRONT PANEL | 1 | — | — | 1 | 1 |
| 12 | Z228812000 | PANEL FRONTAL B SIN PUERTA | FRONT PANEL B | — | 1 | 1 | — | — |
| | Q152004000 | TORNIL, APLASTADO M5x13 A304 | FLAT HEADED BOLT M5x13 A304 | 2 | 2 | 2 | 2 | 2 |
| 13 | Z200101000 | ARMAZON COMPLETO | COMPLETE FRAME | 1 | 1 | 1 | 1 | 1 |
| 14 | Z713028000 | SONDA TEMPERATURA GICAR | TEMPERATURA PROBE GICAR | 1 | 1 | 1 | 1 | 1 |
| S/Nº | Z718004000 | AMARRE SONDA | PROBE CATCH | 1 | 1 | 1 | 1 | 1 |
| | Q162020000 | TUERCA EXAGONAL M4 | HEXAGONAL NUT M4 | 1 | 1 | 1 | 1 | 1 |
| 15 | Z748008000 | SOPORTE BULBO TERMOSTATO | THERMOSTAT BULB SUPPORT | 1 | 1 | 1 | 1 | 1 |
| | Q162040000 | TUERCA EXAGONAL M6 | HEXAGONAL NUT M6 | 2 | 2 | 2 | 2 | 2 |
| | Q262040000 | ARANDELA GROW. A6 A.304 | WASHER GROW. A6 A.304 | 2 | 2 | 2 | 2 | 2 |
| 16 | P443060000 | TAPON | STOPPER | 1 | 1 | 1 | 1 | 1 |
| | N503017000 | SOPORTE TERMOSTATO 1001713 | THERMOSTAT SUPPORT 100171 | 1 | 1 | 1 | 1 | 1 |
| 17 | Z713038000 | REGU. TERMOS. TANQUE 60 °C | THERM.TANQUE REGULATOR | 1 | 1 | 1 | 1 | 1 |
| 18 | Z200313000 | PERFIL GOMA ESPONJOSA | GOMA PROFILE | 1 | 1 | 1 | 1 | 1 |
| 19 | Z202903000 | PANEL LATERAL IZQUIERDO | LEFT SIDE PANEL | 1 | 1 | — | 1 | 1 |
| 19 | Z212917000 | PANEL LATERAL IZDO. DOBLE P. | LEFT SIDE PANEL | — | — | 1 | — | — |
| S/Nº | Z202902000 | PANEL LATERAL DERECHO | RIGHT SIDE PANEL | 1 | 1 | — | 1 | 1 |
| S/Nº | Z212918000 | PANEL LATERAL DCHO. DOBLE P. | RIGHT SIDE PANEL | — | — | 1 | — | — |
| | Q152004000 | TORNIL, APLASTADO M5x13 A304 | FLAT HEADED BOLT M5x13 A304 | 4 | 4 | 4 | 4 | 4 |
| | Q221012000 | TUERCA RAPIDA M,5 | RAPID NUT M,5 | 2 | 2 | 2 | 2 | 2 |
| 20 | Z200107000 | PATA REGULABLE | ADJUSTABLE LEG | 4 | 4 | 4 | 4 | 4 |
| 21 | Z202921000 | PANEL POSTERIOR INFERI. ALUM. | LOWER REAR PANEL ALUM. | 1 | 1 | 1 | 1 | 1 |
| | Q152004000 | TORNIL, APLASTADO M5x13 A304 | FLAT HEADED BOLT M5x13 A304 | 2 | 2 | 2 | 2 | 2 |
| 22 | Z200341000 | CAJA SOLDADA LJ. A.F. AD | WELDED BOX LJ. A.F. AD | 1 | 1 | 1 | — | 1 |
| 22 | Z200343000 | CAJA SOLDADA LJ. A.F. AD "D" | WELDED BOX LJ. A.F. AD "D" | — | — | — | 1 | — |
| | Q162040000 | TUERCA EXAGONAL M6 | HEXAGONAL NUT M6 | 8 | 8 | 8 | 8 | 8 |
| | Q302022000 | ARANDELA 16X6X1.2 A.304 | WASHER 16X6X1.2 A.304 | 8 | 8 | 8 | 8 | 8 |
| | Q262040000 | ARANDELA GROW. A6 A.304 | WASHER GROW. A6 A.304 | 8 | 8 | 8 | 8 | 8 |
| 23 | Z202904000 | PANEL POSTERIOR ALU.FI-30 | REAR PANEL ALU.FI-30 | 1 | 1 | — | 1 | 1 |
| 23 | Z212920000 | PANEL POSTER. DOBLE PARED | REAR PANEL ALU.FI-30 | — | — | 1 | — | — |
| | Q152004000 | TORNIL, APLASTADO M5x13 A304 | FLAT HEADED BOLT M5x13 A304 | 4 | 4 | 4 | 4 | 4 |

Зип Общепит

vsezip.ru

+7(812)987-08-81



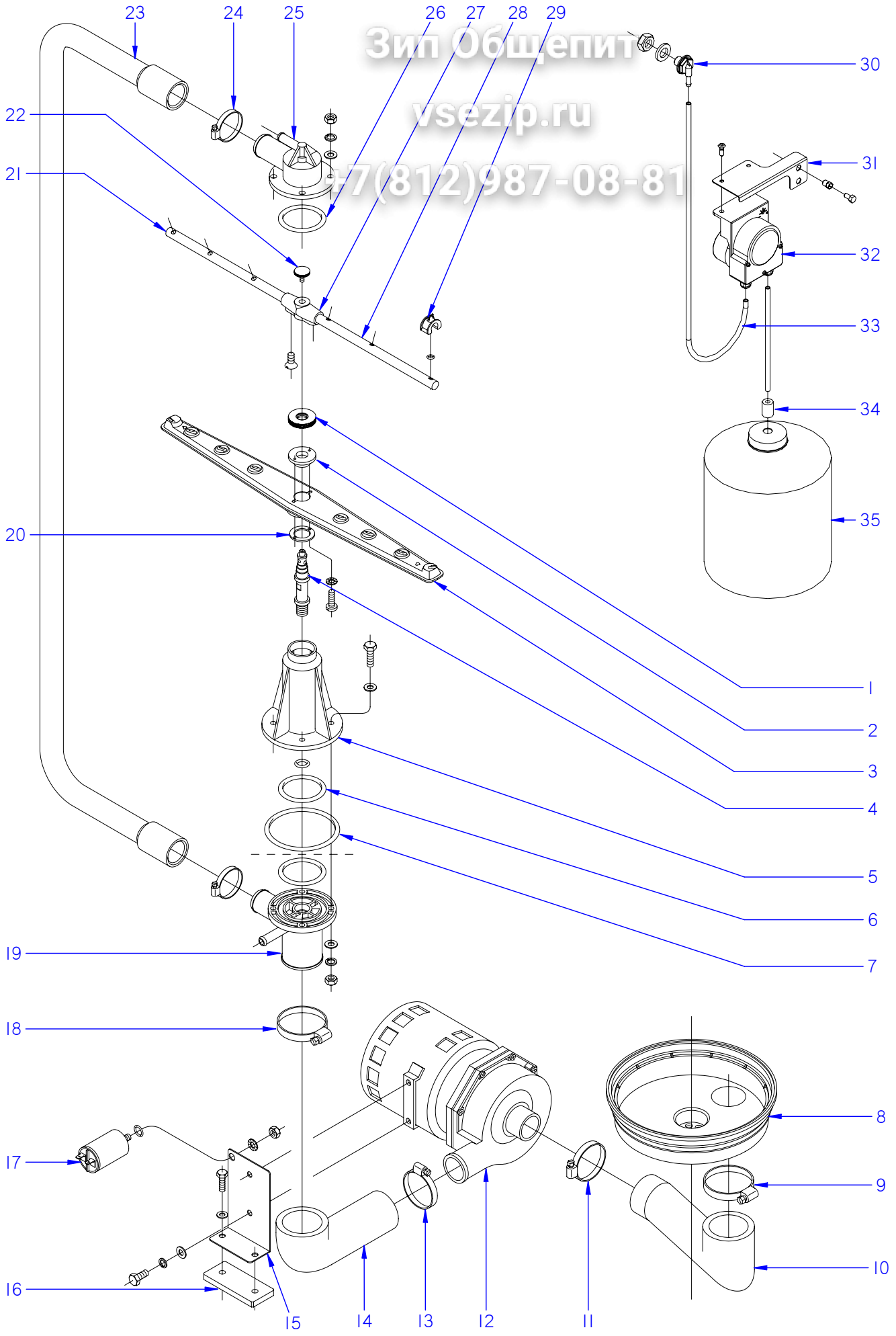
ITEM MARCADO EN COLOR = REPUESTO RECOMENDADO
COLOURED ITEM = RECOMMENDED SPARE PART

| | |
|------------------------------------|------------------------------|
| N plano | C-2471 |
| Firma | |
| Fecha | 2009-12 |
| Aparato | PUERTA LAVAVAJILLAS AD-64 |
| Lamina | 2 |
| Fagor Industrial S. Coop. Ortze | |

| | | | |
|-------------|---|-------------|---------------|
| MOD. | LAVAVAJILLAS DE APERTURA FRONTAL | ZONA | PUERTA |
|-------------|---|-------------|---------------|

| ITEM | CODIGO | DENOMINACION | TEXTO | AD-64 | AD-64 B | AD-64 C | AD-64 D | AD-64 DD |
|------|------------|-------------------------------|-----------------------------|-------|---------|---------|---------|----------|
| 1 | Z200556000 | CONTRAPUERTA COMPLETA | COMPL. DOOR REVERSE | 1 | 1 | 1 | 1 | 1 |
| | Q412000000 | REMACHE TUBULAR 4 x 8 | TUBULAR RIVET 4 x 8 | 4 | 4 | 4 | 4 | 4 |
| | Q162030000 | TUERCA EXAGONAL M5 | HEXAGONAL NUT M5 | 2 | 2 | 2 | 2 | 2 |
| | Q262030000 | ARANDELA GROW. A5 A.304 | WASHER GROW. A5 A.304 | 2 | 2 | 2 | 2 | 2 |
| 2 | Z200558000 | ASA FI 30 | HANDLE FI30 | 1 | 1 | — | 1 | 1 |
| 2 | Z200565000 | ASA AD-48 | HANDLE FI30 | 1 | 1 | — | 1 | 1 |
| 2 | Z210501000 | ASA AD-48 C | HANDLE AD-48 C | — | — | 1 | — | — |
| 2 | Z210502000 | ASA AD-48 C | HANDLE AD-48 C | — | — | 1 | — | — |
| S/Nº | Z200564000 | TACO SUJECCION | FASTENING RAWL | 2 | 2 | 2 | 2 | 2 |
| 3 | Z200561000 | PUERTA COMPLETA AD | COMPLETE DOOR AD | 1 | 1 | 1 | 1 | 1 |
| S/Nº | Z206135000 | CHECK LIST LAVAVAJILLAS FAGOR | CHECK LIST | 1 | 1 | 1 | 1 | 1 |
| 4 | Z200506000 | IMAN | MAGNET | 1 | 1 | 1 | 1 | 1 |
| 5 | Z200507000 | PROTECTOR IMAN | MAGNET PROTECTOR | 1 | 1 | 1 | 1 | 1 |
| 6 | Z400514000 | BISAGRA IZQUIERDA T-C. | LEFT HINGE T-C. | 1 | 1 | 1 | 1 | 1 |
| S/Nº | Z400515000 | BISAGRA DERECHA T-C. | RIGHT HINGE T-C. | 1 | 1 | 1 | 1 | 1 |
| | Q012042000 | TORNILLO EXAGONAL M6X15 | HEXAGONAL BOLT M6x15 | 4 | 4 | 4 | 4 | 4 |
| | Q262040000 | ARANDELAGROW. A6 A.304 | WASHER GROW. A6 A.304 | 4 | 4 | 4 | 4 | 4 |
| | Q162040000 | TUERCA EXAGONAL M6 | HEXAGONAL NUT M6 | 4 | 4 | 4 | 4 | 4 |
| 7 | Z400516000 | EJE PUERTA | DOOR SHAFT | 2 | 2 | 2 | 2 | 2 |
| 8 | Z200524000 | MARCO PUERTA | DOOR FRAME | 2 | 2 | 2 | 2 | 2 |
| | Q412000000 | REMACHE TUBULAR 4 x 8 | TUBULAR RIVET 4 x 8 | 6 | 6 | 6 | 6 | 6 |
| 9 | Z200555000 | VARILLA TENSOR | TIGHTENER ROD | 1 | 1 | 1 | 1 | 1 |
| 10 | Z200310000 | SOPORTE TENSOR | TIGHTENER SUPPOR | 2 | 2 | 2 | 2 | 2 |
| | Q152004000 | TORNIL, APLASTADO M5x13 A304 | FLAT HEADED BOLT M5x13 A304 | 4 | 4 | 4 | 4 | 4 |
| | Q162030000 | TUERCA EXAGONAL M5 | HEXAGONAL NUT M5 | 4 | 4 | 4 | 4 | 4 |
| | Q262030000 | ARANDELA GROW. A5 A.304 | WASHER GROW. A5 A.304 | 4 | 4 | 4 | 4 | 4 |
| 11 | Z200522000 | TENSOR PUERTA | TIGHTENER DOOR | 2 | 2 | 2 | 2 | 2 |
| 12 | Q222012000 | TUERCA AUTOB. M6 | SELF-LOCKING NUT M6 | 2 | 2 | 2 | 2 | 2 |
| 13 | Q222012000 | TUERCA AUTOB. M6 | SELF-LOCKING NUT M6 | 4 | 4 | 4 | 4 | 4 |
| 14 | Z200607000 | CONJUNTO CIERRE PUER.T-CO | LOCK UNIT PUERTAT-CO | 2 | 2 | 2 | 2 | 2 |
| 15 | Z200601000 | ENGANCHE CIERRE | LOCK LATCH | 2 | 2 | 2 | 2 | 2 |

Зип Общежит
 vsezip.ru
 7(812)987-08-81



ITEM MARCADO EN COLOR = REPUESTO RECOMENDADO
 COLOURED ITEM = RECOMMENDED SPARE PART

| | | | | | | |
|---------|--------------------|---------|--------------------|------------------------------|--------|---------------------------------------|
| N plano | Firma | Fecha | Aparato | CONJUNTO FUNCIONAL DE LAVADO | Lamina | Fagor Industrial S.Coop. FAGOR |
| C-2472 | <i>[Signature]</i> | 2009-12 | LAVAVAJILLAS AD-64 | | 3 | Oñate |

MOD. LAVAVAJILLAS DE APERTURA FRONTAL

ZONA

CONJUNTO FUNCIONAL DE LAVADO

| ITEM | CODIGO | DENOMINACION | TEXTO | AD-64 | AD-64 B | AD-64 C | AD-64 D | AD-64 DD |
|------|------------|------------------------------|----------------------------|-------|---------|---------|---------|----------|
| 1 | Z200705000 | TUERCA ESPECIAL M.14X1 | SPECIAL NUT M.14X1 | 2 | 2 | 2 | 2 | 2 |
| 2 | Z650704000 | ENGANCHE DISTRIBUIDOR | DISTRIBUTOR CATCH | 2 | 2 | 2 | 2 | 2 |
| 3 | Z650716000 | DISTRIBUIDOR MONTADO | DISTRIBUTOR | 2 | 2 | 2 | 2 | 2 |
| 4 | Z200704000 | EJE CENTRAL | CENTRAL SHAFT | 2 | 2 | 2 | 2 | 2 |
| 5 | Z200701000 | SOPORTE DISTRIBUID. INFERIOR | LOWER DISTRIB. SUPPORT | 1 | 1 | 1 | 1 | 1 |
| | Q307050000 | JUNTA TOR.13.94X19.18X2.6 | O-RING 13.94X19.18X2.6 | 1 | 1 | 1 | 1 | 1 |
| | Q012046000 | TORNIL. EXAGONAL M6X40 A.304 | HEXAGONAL BOLT M6X40 A.304 | 4 | 4 | 4 | 4 | 4 |
| | Q306050000 | ARANDELA Ø6X12X1.5 | WASHER Ø6X12X1.5 | 4 | 4 | 4 | 4 | 4 |
| 6 | Q307052000 | JUNTA TOR.50.17X60.83X5.3 | O-RING 50.17X60.83X5.3 | 2 | 2 | 2 | 2 | 2 |
| 7 | Q307049000 | JUNTA TOR.85.09X95.75X5.3 | O-RING 85.09X95.75X5.3 | 1 | 1 | 1 | 1 | 1 |
| 8 | Z200906000 | CUBETA | TRAY | 1 | 1 | 1 | 1 | 1 |
| 9 | Q881324000 | ABRAZADERA 50-70L | CLAMP 50-70L | 1 | 1 | 1 | 1 | 1 |
| 10 | Z200904000 | CODO ASPIRACION 1003018 | EXTRACTOR ELBOW | 1 | 1 | 1 | 1 | 1 |
| 11 | Q881324000 | ABRAZADERA 50-70L | CLAMP 50-70L | 1 | 1 | 1 | 1 | 1 |
| 12 | Z201011000 | BOMBA DE LAVADO | WASH PUMP | 1 | 1 | 1 | 1 | 1 |
| 12 | Z203511000 | BOMBA DE LAVADO 60 HZ. | WASH PUMP 60 HZ. | 1 | - | - | - | - |
| 13 | Q881307000 | ABRAZADERA 40-60 | CLAMP 40-60 | 1 | 1 | 1 | 1 | 1 |
| 14 | Z200905000 | CODO IMPULSION 1003017 | IMPULSE ELBOW 1003017 | 1 | 1 | 1 | 1 | 1 |
| 15 | Z201002000 | SOPORTE MOTOBO.F-3-4-5-6 | MOTOR PUMP SUPPORT | 1 | 1 | 1 | 1 | 1 |
| | Q012041000 | TORNIL. EXAGONAL M6X10 A.304 | HEX BOLT M6X10 A.304 | 2 | 2 | 2 | 2 | 2 |
| | Q232040000 | ARANDELA A6 | FAN WASHER A6 | 2 | 2 | 2 | 2 | 2 |
| | Q262040000 | ARANDELA GROW. A6 A.304 | WASHER GROW. A6 A.304 | 2 | 2 | 2 | 2 | 2 |
| 16 | Z201003000 | BASE BOMBA LAVADO 1003016 | WASH PUMP BASE | 1 | 1 | 1 | 1 | 1 |
| | Q012033000 | TORNIL. EXAGONAL M5X20 A.304 | HEX BOLT M5X20 A.304 | 2 | 2 | 2 | 2 | 2 |
| | Q232030000 | ARANDELA A5 | FAN WASHER A5 | 2 | 2 | 2 | 2 | 2 |
| 17 | V321300000 | CONDENSADOR 10 M.F. | CONDENSER 10 M.F. | 1 | 1 | 1 | 1 | 1 |
| | Q307048000 | JUNTA TORICA 9.12X16.18X3.53 | O-RING 9.12X16.18X3.53 | 1 | 1 | 1 | 1 | 1 |
| | Q162050000 | TUERCA EXAGONAL M8x1 INOX. | HEXAGONAL NUT M8x1 INOX. | 1 | 1 | 1 | 1 | 1 |
| | Q261050000 | ARANDELA MUELLE A8 | SPRING WASHER A8 | 1 | 1 | 1 | 1 | 1 |
| 18 | Q881324000 | ABRAZADERA 50-70L | CLAMP 50-70L | 1 | 1 | 1 | 1 | 1 |

MOD. LAVAVAJILLAS DE APERTURA FRONTAL

ZONA

CONJUNTO FUNCIONAL DE LAVADO

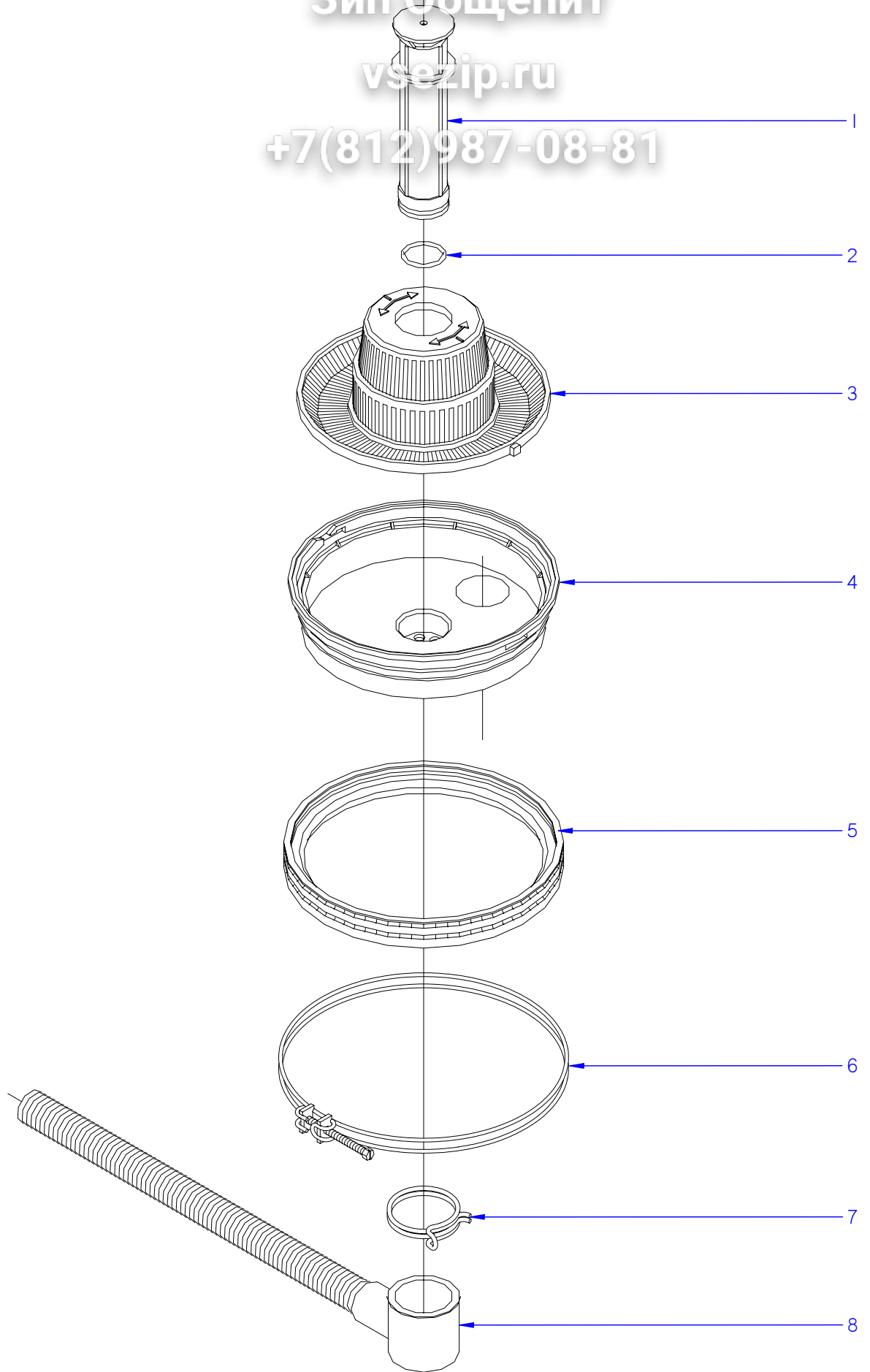
+7(812)987-08-81

| ITEM | CODIGO | DENOMINACION | TEXTO | AD-64 | AD-64 B | AD-64 C | AD-64 D | AD-64 DD |
|------|------------|------------------------------|----------------------------|-------|---------|---------|---------|----------|
| 19 | Z200703000 | PASAMUROS | WALL BUSHING | 1 | 1 | 1 | 1 | 1 |
| | Q232040000 | ARANDELA A6 | WASHER A6 | 4 | 4 | 4 | 4 | 4 |
| | Q262040000 | ARANDELA GROW. A6 A.304 | WASHER GROW. A6 A.304 | 4 | 4 | 4 | 4 | 4 |
| | Q162040000 | TUERCA EXAGONAL M6 | HEXAGONAL NUT M6 | 4 | 4 | 4 | 4 | 4 |
| 20 | Z650711000 | AMARRE ENGANCHE DISTRIBUID. | DISTRIBUT. CATCH FASTENING | 2 | 2 | 2 | 2 | 2 |
| | Q152015000 | TORNILLO ALOMADO M3X6 | CURVED SCREW M3X6 | 4 | 4 | 4 | 4 | 4 |
| | Q242010000 | ARANDELA ABANICO A.3 A304 | FAN WASHER A.3 A304 | 4 | 4 | 4 | 4 | 4 |
| 21 | Z201902000 | RAMA DE ACLARADO IZQUIERDA | LEF TRINSE BRANCH | 2 | 2 | 2 | 2 | 2 |
| 22 | Q152016000 | TORNILLO ESPECIAL M.5X0.8 | SPECIAL BOLT M.5X0.8 | 2 | 2 | 2 | 2 | 2 |
| 23 | Z200706000 | ARBOL DE LAVADO | WASH CAM | 1 | 1 | 1 | 1 | 1 |
| 24 | Q881305000 | ABRAZADERA 25-40 | CLAMP 25-40 | 2 | 2 | 2 | 2 | 2 |
| 25 | Z200707000 | SOPORTE DISTRIBUIDOR SUPER. | UPPER DISTRIB. SUPPORT | 1 | 1 | 1 | 1 | 1 |
| | Q232040000 | ARANDELA A6 | WASHER A6 | 4 | 4 | 4 | 4 | 4 |
| | Q262040000 | ARANDELA GROW. A6 A.304 | WASHER GROW. A6 A.304 | 4 | 4 | 4 | 4 | 4 |
| | Q162040000 | TUERCA EXAGONAL M6 | HEXAGONAL NUT M6 | 4 | 4 | 4 | 4 | 4 |
| 26 | Q307052000 | JUNTA TOR.50.17X60.83X5.3 | O-RING 50.17X60.83X5.3 | 1 | 1 | 1 | 1 | 1 |
| 27 | Z201903000 | SOPORTE RAMAS ACLARADO | TRINSE BRANCH SUPPORT | 2 | 2 | 2 | 2 | 2 |
| | Q042021000 | TORN. AVELLANADO M4X10 A.304 | COUNTERSUNK BOLT M4X10 A3 | 4 | 4 | 4 | 4 | 4 |
| 28 | Z201901000 | RAMA DE ACLARADO DERECHA | RIGHT TRINSE BRANCH | 2 | 2 | 2 | 2 | 2 |
| 29 | Z211903000 | TOBERA ACLARADO | RINSE NOZZLE | 12 | 12 | 12 | 12 | 12 |
| 30 | Z230905000 | PASAMUROS DETERGENTE | INOX DETERGENT WALL BUSHIN | - | - | 1 | - | 1 |
| 31 | Z208434000 | SOPORTE DOSIFICADOR W | DOSEFOR W SUPPORT | - | - | 1 | - | 1 |
| | Q411304000 | REMACHE AVIBULB Ø4,8 | AVIBULB Ø4,8 RIVET | - | - | 2 | - | 2 |
| | Q012031000 | TORNIL. EXAGONAL M5X10 A.304 | HEXAGONAL BOLT M5X10 | - | - | 2 | - | 2 |
| 32 | Z208903000 | DOSIFIC. DGTE REGULABLE G300 | DOSEFOR DETERGENT | - | - | 1 | - | 1 |
| 33 | Z448614000 | CONDUCTO ASPIRACIÓN | CONDUIT | - | - | 1 | - | 1 |
| S/Nº | 3699300000 | CONDUCTO DOSIFICAFOR TRANS. | CONDUIT | - | - | 1 | - | 1 |
| 34 | Z701152000 | PESO FILTRO | FILTER WEIGHT | - | - | 1 | - | 1 |
| 35 | - | GARRAFA DETERGENTE | DETERGENT CAN | - | - | 1 | - | 1 |
| | | | | | | | | |
| | | | | | | | | |

Зип Общежит

vsezip.ru

+7(812)987-08-81



ITEM MARCADO EN COLOR = REPUESTO RECOMENDADO
COLOURED ITEM = RECOMMENDED SPARE PART

| | | | | | | |
|---------|--------------------|---------|---------------------------------|----------------------------|--------|---------------------------------------|
| N plano | Firma | Fecha | Aparato | CONJUNTO FUNCIONAL DESAGUE | Lamina | Fagor Industrial S.Coop. FAGOR |
| C-2473 | <i>(Signature)</i> | 2009-12 | LAVAVAJILLAS AD-64 / 64D / 64DD | 4 | Note | |

Зип Общепит

MOD. LAVAVAJILLAS DE APERTURA FRONTAL

ZONA

CONJUNTO FUNCIONAL DESAGÜE

vsezip.ru

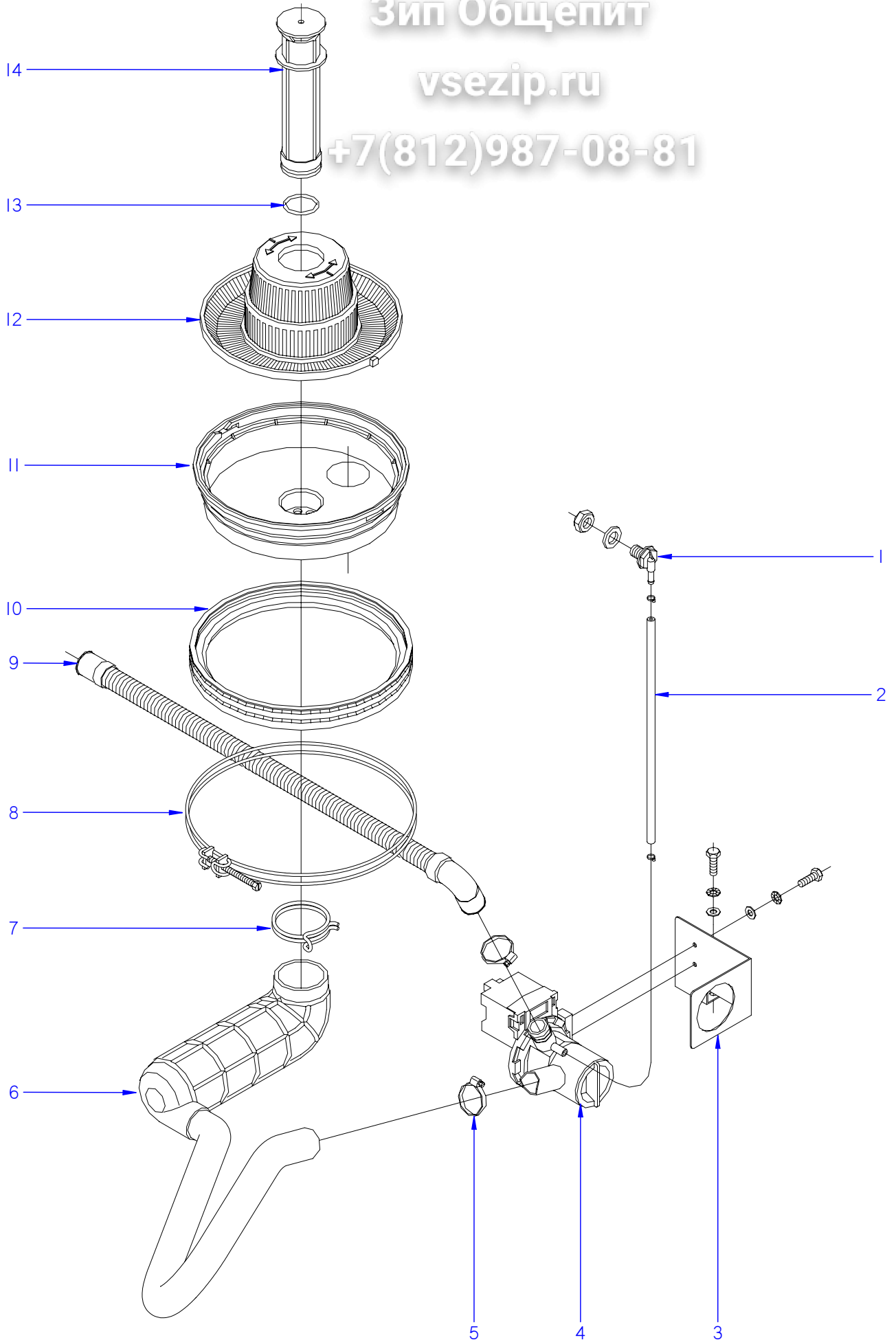
+7(812)987-08-81

| ITEM | CODIGO | DENOMINACION | TEXTO | AD-64 | AD-64 D | AD-64 DD |
|------|------------|---------------------------|------------------------|-------|---------|----------|
| 1 | Z200909000 | ALIVIADERO | OVERFLOW | 1 | 1 | 1 |
| 2 | Q307051000 | JUNTA TOR.36.17X41.41X2.6 | O-RING 36.17X41.41X2.6 | 1 | 1 | 1 |
| 3 | Z200922000 | CONJUNTO FILTRO AF. | FILTER AF. | 1 | 1 | 1 |
| 4 | Z200906000 | CUBETA | TRAY | 1 | 1 | 1 |
| 5 | Z200907000 | JUNTA CUBETA | TRAY SEAL | 1 | 1 | 1 |
| 6 | Z200908000 | ABRAZADERA CUBETA COMPL. | TRAY CLAMP | 1 | 1 | 1 |
| 7 | Q901308000 | ABRAZAD. ELAST. 56-58.8 | ELASTIC CLAMP 56-58.8 | 1 | 1 | 1 |
| 8 | Z200910000 | MANGUERA DESAGUE | DRAINAGE HOSE | 1 | 1 | 1 |
| | | | | | | |
| | | | | | | |
| | | | | | | |
| | | | | | | |
| | | | | | | |
| | | | | | | |
| | | | | | | |
| | | | | | | |
| | | | | | | |
| | | | | | | |
| | | | | | | |
| | | | | | | |
| | | | | | | |
| | | | | | | |
| | | | | | | |
| | | | | | | |
| | | | | | | |
| | | | | | | |
| | | | | | | |
| | | | | | | |

Зип Общепит

vsezip.ru

+7(812)987-08-81



ITEM MARCADO EN COLOR = REPUESTO RECOMENDADO
COLOURED ITEM = RECOMMENDED SPARE PART

| | | | | | | |
|---------|--------------------|---------|--------------------------------|----------------------------|--------|---------------------------------------|
| N plano | Firma | Fecha | Aparato | CONJUNTO FUNCIONAL DESAGUE | Lamina | Fagor Industrial S.Coop. FAGOR |
| C-2474 | <i>(Signature)</i> | 2009-12 | LAVAVAJILLAS AD-64 B / AD-64 C | | 5 | Oñate |

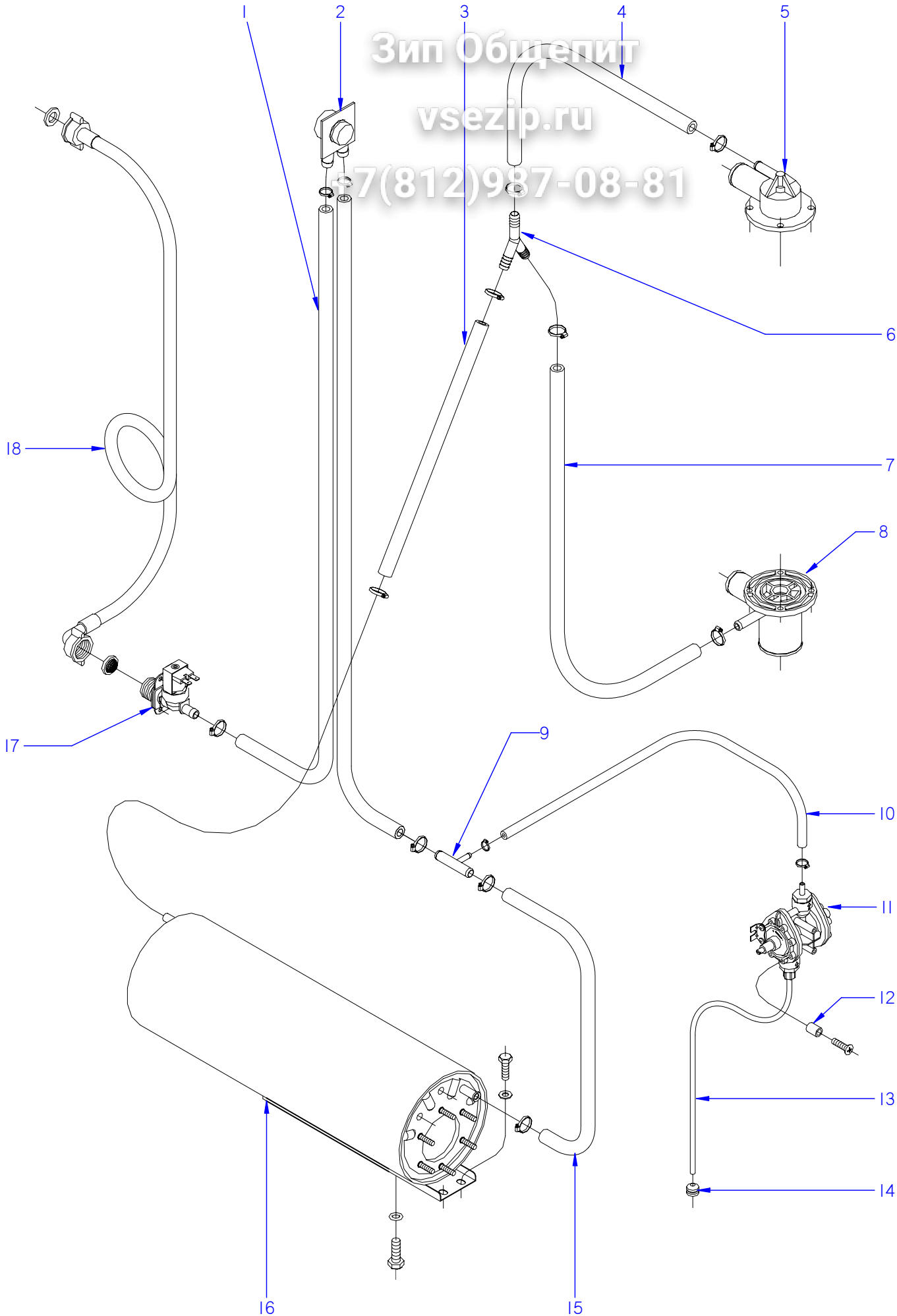
| | | | |
|------|----------------------------------|------|----------------------------|
| MOD. | LAVAVAJILLAS DE APERTURA FRONTAL | ZONA | CONJUNTO FUNCIONAL DESAGÜE |
|------|----------------------------------|------|----------------------------|

| ITEM | CODIGO | DENOMINACION | TEXTO | AD-64 B | AD-64 C | | | |
|------|------------|-----------------------------|----------------------------|---------|---------|--|--|--|
| 1 | Z230905000 | PASAMUROS DETERGENTE | INOX DETERGENT WALL BUSHIN | 1 | 1 | | | |
| | Q306024000 | JUNTA Ø18X12.5X1.5 | SEAL 18X12.5X1.5 | 1 | 1 | | | |
| | Q162070000 | TUERCA EXAGONAL M12 | HEXAGONAL NUT M12 | 1 | 1 | | | |
| 2 | 3702400000 | TUBO GOMA NEGRO Ø 8*4 | BLACK RUBBER PIPE Ø 8*4 | 1 | 1 | | | |
| | P102154000 | BRIDA ELASTICA TUBO | ELASTIC PIPE FLANGE | 2 | 2 | | | |
| 3 | Z220904000 | SOPORTE BOMBA DESAGUE | DRAINAGE PUMP SUPPORT | 1 | 1 | | | |
| | Q012031000 | TORNIL.EXAGONAL M5X10 A.304 | HEXAGONAL BOLT M5x10 | 4 | 4 | | | |
| | Q242030000 | ARAND.ABAN. A5 A.304 | FAN WASHER A5 A.304 | 4 | 4 | | | |
| | Q232030000 | ARANDELA A5 | WASHER A5 | 4 | 4 | | | |
| | Q232040000 | ARANDELA A6 | WASHER A6 | 2 | 2 | | | |
| 4 | Z220901000 | BOMBA DESAGUE 30W | DRAINAGE PUMP 30W | 1 | 1 | | | |
| 4 | Z223501000 | BOMBA DESAGUE 30W 60HZ | DRAINAGE PUMP 30W 60HZ | 1 | - | | | |
| 5 | Q881305000 | ABRAZADERA 25-40 | CLAMP 25-40 | 2 | 2 | | | |
| 6 | Z220902000 | ACUMULADOR 1503019 | ACCUMULATOR 1503019 | 1 | 1 | | | |
| 7 | Q901308000 | ABRAZAD. ELAST. 56-58.8 | ELASTIC CLAMP 56-58.8 | 1 | 1 | | | |
| 8 | Z200908000 | ABRAZADERA CUBETA COMPL. | TRAY CLAMP | 1 | 1 | | | |
| 9 | Z220903000 | MANGUERA DESAGUE | DRAINAGE HOSE | 1 | 1 | | | |
| 10 | Z200907000 | JUNTA CUBETA | TRAY SEAL | 1 | 1 | | | |
| 11 | Z200906000 | CUBETA | TRAY | 1 | 1 | | | |
| 12 | Z200922000 | CONJUNTO FILTRO AF. | FILTER | 1 | 1 | | | |
| 13 | Q307051000 | JUNTA TOR.36.17X41.41X2.6 | O-RING 36.17X41.41X2.6 | 1 | 1 | | | |
| 14 | Z200909000 | ALIVIADERO | OVERFLOW | 1 | 1 | | | |
| | | | | | | | | |
| | | | | | | | | |
| | | | | | | | | |
| | | | | | | | | |
| | | | | | | | | |
| | | | | | | | | |
| | | | | | | | | |
| | | | | | | | | |
| | | | | | | | | |

Зип Общежит

vsezip.ru

7(812)987-08-81



ITEM MARCADO EN COLOR = REPUESTO RECOMENDADO
COLOURED ITEM = RECOMMENDED SPARE PART

| | | | | | | |
|---------|--------------------|---------|--------------------|-----------------------------|--------|---------------------------------------|
| N plano | Firma | Fecha | Aparato | CONJUNTO FUNCIONAL ACLARADO | Lamina | Fagor Industrial S.Coop. FAGOR |
| C-2475 | <i>[Signature]</i> | 2009-12 | LAVAVAJILLAS AD-64 | 6 | Oñate | |

MOD. LAVAVAJILLAS DE APERTURA FRONTAL

ZONA

CONJUNTO FUNCIONAL ACLARADO

vsezip.ru

+7(812)987-08-81

| ITEM | CODIGO | DENOMINACION | TEXTO | AD-64 | AD-64 B | AD-64 C | AD-64 D |
|------|------------|-------------------------------|----------------------------|-------|---------|---------|---------|
| 1 | 3676900000 | TUBO GOMA NEGRA Ø 17*10 | BLACK RUBBER PIPE Ø17*10 | 2 | 2 | 2 | 2 |
| | Q881302000 | ABRAZADERA 12-20 | CLAMP 12/20 | 4 | 4 | 4 | 4 |
| 2 | Z231106000 | VALVULA ANTIRRETORNO | NON-RETURN VALVE | 1 | 1 | 1 | 1 |
| | Q881302000 | ABRAZADERA 12/20 | CLAMP 12/20 | 2 | 2 | 2 | 2 |
| 3 | 3676900000 | TUBO GOMA NEGRA Ø 17*10 | BLACK RUBBER PIPE Ø17*10 | 1 | 1 | 1 | 1 |
| | Q881302000 | ABRAZADERA 12-20 | CLAMP 12/20 | 2 | 2 | 2 | 2 |
| 4 | 3676900000 | TUBO GOMA NEGRA Ø 17*10 | BLACK RUBBER PIPE Ø17*10 | 1 | 1 | 1 | 1 |
| | Q881302000 | ABRAZADERA 12-20 | CLAMP 12/20 | 2 | 2 | 2 | 2 |
| 5 | Z200707000 | SOPORTE DISTRIB. SUPERIOR | UPPER DISTRIB. SUPPORT | 1 | 1 | 1 | 1 |
| 6 | Z201106000 | RACORD EN Y | Y CONNECTION | 1 | 1 | 1 | 1 |
| 7 | 3676900000 | TUBO GOMA NEGRA Ø 17*10 | BLACK RUBBER PIPE Ø17*10 | 1 | 1 | 1 | 1 |
| | Q881302000 | ABRAZADERA 12-20 | CLAMP 12/20 | 1 | 1 | 1 | 1 |
| 8 | Z200703000 | PASAMUROS | WALL BUSHING | 1 | 1 | 1 | 1 |
| | Q881302000 | ABRAZADERA 12-20 | CLAMP 12/20 | 1 | 1 | 1 | 1 |
| 9 | Z601157000 | TOMA PRESION | PRESSURE INTAKE | 1 | 1 | 1 | 1 |
| 10 | 3704000000 | TUBO GOMA NEGRO Ø 10,5*5 | BLACK RUBBER PIPE Ø 10,5*5 | 1 | 1 | 1 | 1 |
| | Q881308000 | ABRAZADERA 8-14L | CLAMP 8-14L | 2 | 2 | 2 | 2 |
| 11 | Z211109000 | DOSIFICADOR TENSOACTIVO N-6 | SURFACE ACT. DISP. N-6 | 1 | 1 | 1 | 1 |
| 12 | Z203007000 | CASQUILLO | CASE | 2 | 2 | 2 | 2 |
| | Q041324000 | TORN. AVELLA. M4x25 H.ZINCADO | COUNTERSUNK BOLT M4x25 | 2 | 2 | 2 | 2 |
| 13 | Z448618000 | CONDUCTO ABRILLANTADOR | POLISH DUCT | 1 | 1 | 1 | 1 |
| 14 | Z701152000 | PESO FILTRO | FILTER WEIGHT | 1 | 1 | 1 | 1 |
| 15 | 3676900000 | TUBO GOMA NEGRA Ø 17*10 | BLACK RUBBER PIPE Ø17*10 | 1 | 1 | 1 | 1 |
| | Q881302000 | ABRAZADERA 12-20 | CLAMP 12/20 | 2 | 2 | 2 | 2 |
| 16 | Z201710000 | CALDERIN COMPLETO | COMPL. BOILER | 1 | 1 | 1 | 1 |
| | Q012063000 | TORNIL. EXAGONAL M10x20 A.304 | HEXAGONAL BOLT M10x20 A304 | 1 | 1 | 1 | 1 |
| | Q307048000 | JUNTA TORICA Ø9.12X16.18X3.53 | O-RING Ø9.12X16.18X3.53 | 1 | 1 | 1 | 1 |
| | Q012031000 | TORNIL. EXAGONAL M5x10 A.304 | HEXAGONAL BOLT M5x10 A.304 | 2 | 2 | 2 | 2 |
| | Q232030000 | ARANDELA A5 | WASHER A5 | 2 | 2 | 2 | 2 |

MOD. LAVAVAJILLAS DE APERTURA FRONTAL

ZONA

CONJUNTO FUNCIONAL ACLARADO

vsezip.ru

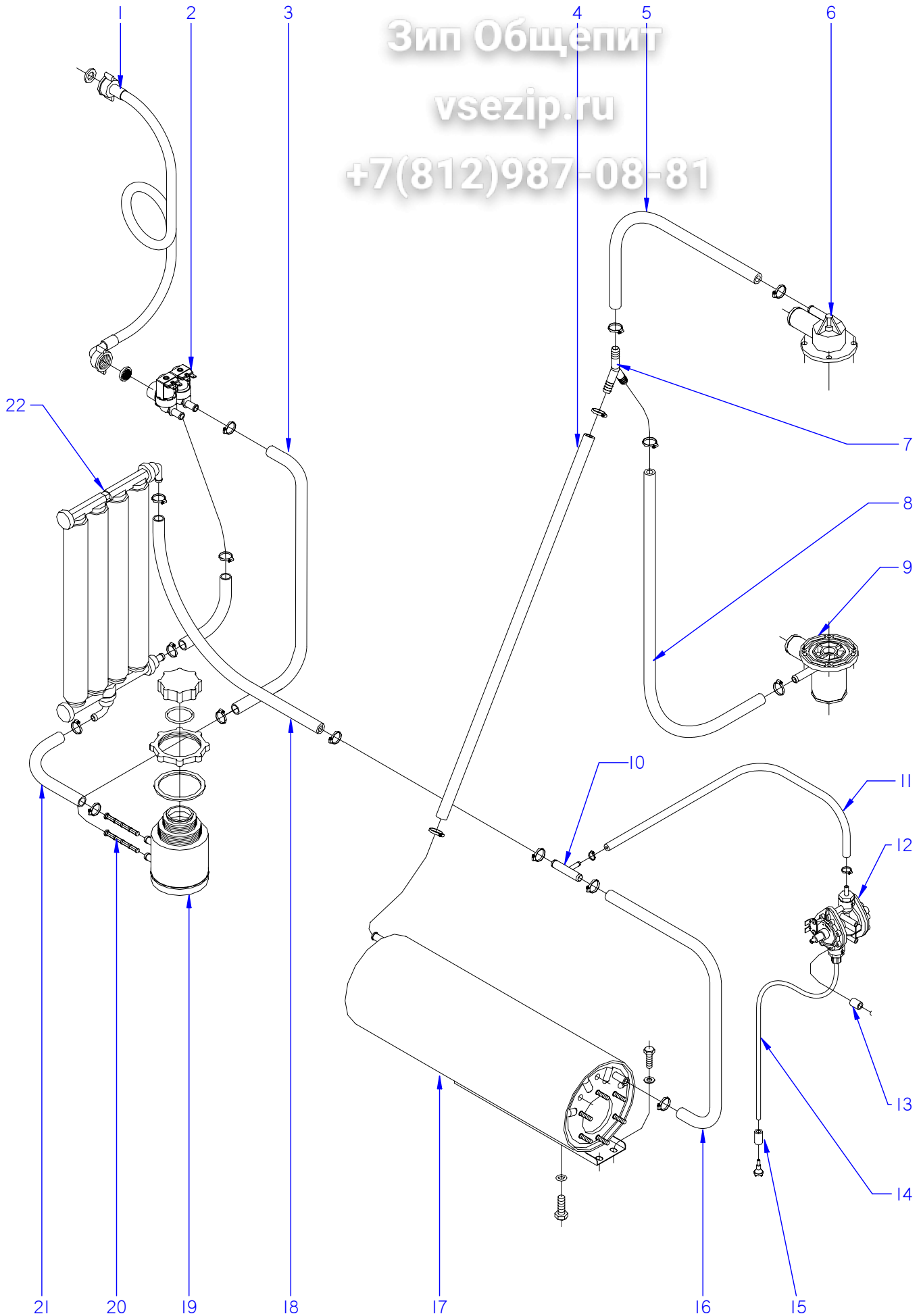
+7(812)987-08-81

| ITEM | CODIGO | DENOMINACION | TEXTO | AD-64 | AD-64 B | AD-64 C | AD-64 D |
|------|------------|-------------------------------|------------------------|-------|---------|---------|---------|
| 17 | Z701135000 | ELECTR. SIMP.220V COD.255.208 | SIMPLE SOLENOID VALVE | 1 | 1 | 1 | 1 |
| | Q152024000 | TORN. AVELLANADO M4x8 A.304 | COUNTERSUNK BOLT M4X18 | 2 | 2 | 2 | 2 |
| 18 | Z602121000 | MANGUERA ENTRADA AGUA | WATER INTAKE HOSE | 1 | 1 | 1 | 1 |
| | | | | | | | |
| | | | | | | | |
| | | | | | | | |
| | | | | | | | |
| | | | | | | | |
| | | | | | | | |
| | | | | | | | |
| | | | | | | | |
| | | | | | | | |
| | | | | | | | |
| | | | | | | | |
| | | | | | | | |
| | | | | | | | |
| | | | | | | | |
| | | | | | | | |
| | | | | | | | |
| | | | | | | | |
| | | | | | | | |
| | | | | | | | |
| | | | | | | | |
| | | | | | | | |
| | | | | | | | |

Зип Общепит

vsezip.ru

+7(812)987-08-81



ITEM MARCADO EN COLOR = REPUESTO RECOMENDADO
COLOURED ITEM = RECOMMENDED SPARE PART

| | | | | | | |
|---------|--------------------|---------|----------------------|-----------------------------|--------|---------------------------------------|
| N plano | Firma | Fecha | Aparato | CONJUNTO FUNCIONAL ACLARADO | Lamina | Fagor Industrial S.Coop. FAGOR |
| C-2476 | <i>(Signature)</i> | 2009-12 | LAVAVAJILLAS AD-64 D | | 7 | Oñate |

| ITEM | CODIGO | DENOMINACION | TEXTO | AD-64 D | | | | | |
|--|------------|-------------------------------|----------------------------|---------|--|--|--|--|--|
| MOD. LAVAVAJILLAS DE APERTURA FRONTAL ZONA CONJUNTO FUNCIONAL ACLARADO | | | | | | | | | |
| 1 | Z602121000 | MANGUERA ENTRADA AGUA | WATER INTAKE HOSE | 1 | | | | | |
| 2 | P255001000 | ELECTROVALVULA DOBLE | DOUBLE SOLENOID VALVE | 1 | | | | | |
| | P305013000 | REGULADOR 1L. AMA 255.005 | REGULATOR 1L. AMA 255.005 | 1 | | | | | |
| | Q152024000 | TORN. AVELLANADO M4x8 A.304 | COUNTERSUNK BOLT M4x8 | 2 | | | | | |
| 3 | 3676900000 | TUBO GOMA NEGRA Ø 17*10 | BLACK RUBBER PIPE Ø17*10 | 2 | | | | | |
| | Q881302000 | ABRAZADERA 12-20 | CLAMP 12/20 | 4 | | | | | |
| 4 | 3676900000 | TUBO GOMA NEGRA Ø 17*10 | BLACK RUBBER PIPE Ø17*10 | 2 | | | | | |
| | Q881302000 | ABRAZADERA 12-20 | CLAMP 12/20 | 4 | | | | | |
| 5 | 3676900000 | TUBO GOMA NEGRA Ø 17*10 | BLACK RUBBER PIPE Ø17*10 | 1 | | | | | |
| | Q881302000 | ABRAZADERA 12-20 | CLAMP 12/20 | 2 | | | | | |
| 6 | Z200707000 | SOPORTE DISTRIB. SUPERIOR | UPPER DISTRIB. SUPPORT | 1 | | | | | |
| 7 | Z201106000 | RACORD EN Y | Y CONNECTION | 1 | | | | | |
| 8 | 3676900000 | TUBO GOMA NEGRA Ø 17*10 | BLACK RUBBER PIPE Ø17*10 | 1 | | | | | |
| | Q881302000 | ABRAZADERA 12-20 | CLAMP 12/20 | 2 | | | | | |
| 9 | Z200703000 | PASAMUROS | WALL BUSHING | 1 | | | | | |
| 10 | Z601157000 | TOMA PRESION | PRESSURE INTAKE | 1 | | | | | |
| 11 | 3704000000 | TUBO GOMA NEGRO Ø 10,5*5 | BLACK RUBBER PIPE Ø 10,5*5 | 1 | | | | | |
| | Q881308000 | ABRAZADERA 8-14L | CLAMP 8-14L | 2 | | | | | |
| 12 | Z211109000 | DOSIFICADOR TENSOACTIVO N-6 | SURFACE ACT. DISP. N-6 | 1 | | | | | |
| 13 | Z203007000 | CASQUILLO | CASE | 2 | | | | | |
| | Q041324000 | TORN. AVELLA. M4x25 H.ZINCADO | COUNTERSUNK BOLT M4x25 | 2 | | | | | |
| 14 | Z448618000 | CONDUCTO ABRILLANTADOR | POLISH DUCT | 1 | | | | | |
| 15 | Z701152000 | PESO FILTRO | FILTER WEIGHT | 1 | | | | | |
| 16 | 3676900000 | TUBO GOMA NEGRA Ø 17*10 | BLACK RUBBER PIPE Ø17*10 | 1 | | | | | |
| | Q881302000 | ABRAZADERA 12-20 | CLAMP 12/20 | 2 | | | | | |
| 17 | Z201710000 | CALDERIN COMPLETO | COMPL. BOILER | 1 | | | | | |
| | Q012063000 | TORNIL. EXAGONAL M10x20 A.304 | HEXAGONAL BOLT M10x20 A304 | 1 | | | | | |
| | Q307048000 | JUNTA TORICA Ø9.12X16.18X3.53 | O-RING Ø9.12X16.18X3.53 | 1 | | | | | |
| | Q012031000 | TORNIL. EXAGONAL M5x10 A.304 | HEXAGONAL BOLT M5x10 A.304 | 2 | | | | | |
| | Q232030000 | ARANDELA A5 | WASHER A5 | 2 | | | | | |

MOD. LAVAVAJILLAS DE APERTURA FRONTAL

ZONA

CONJUNTO FUNCIONAL ACLARADO

vsezip.ru

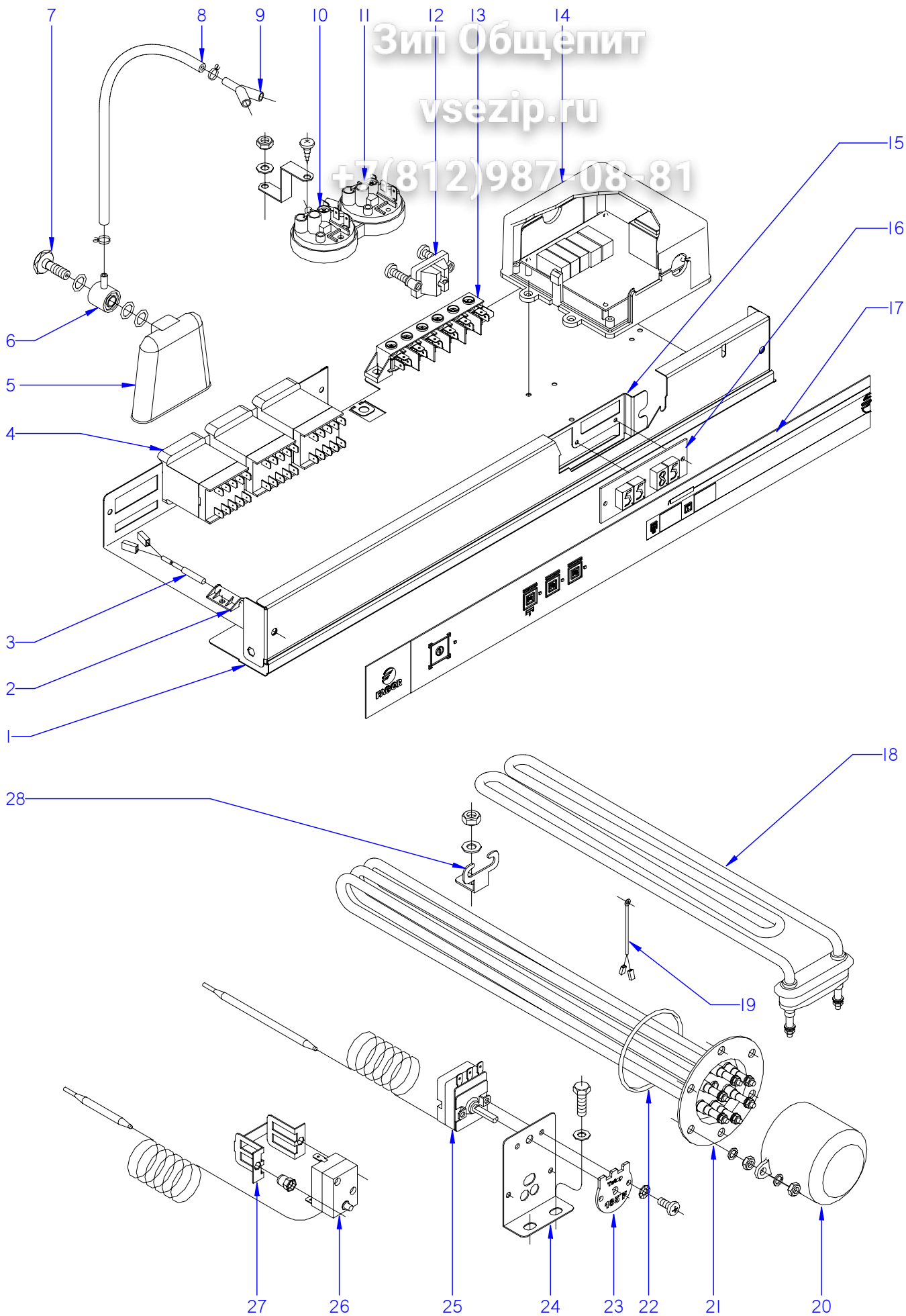
+7(812)987-08-81

| ITEM | CODIGO | DENOMINACION | TEXTO | AD-64 D | | | | |
|------|------------|--------------------------------|-----------------------------|---------|--|--|--|--|
| 18 | 3676900000 | TUBO GOMA NEGRA Ø 17*10 | BLACK RUBBER PIPE Ø17*10 | 1 | | | | |
| | Q881302000 | ABRAZADERA 12-20 | CLAMP 12/20 | 2 | | | | |
| 19 | Z471102000 | DEPOSITO SOLDADO | WELDED TANK | 1 | | | | |
| | Z471107000 | JUNTA TUERCA (BITRON 15702.01) | NUT SEAL (BITRON 15702.01) | 1 | | | | |
| | Z471106000 | TUERCA (BITRON 27414.00) | NUT (BITRON 27414.00) | 1 | | | | |
| | Z471109000 | JUNTA TAPON (BITRON 06485.02) | PLUG SEAL (BITRON 06485.02) | 1 | | | | |
| | Z471108000 | TAPON (BITRON 27415.00) | PLUG (BITRON 27415.00) | 1 | | | | |
| 20 | Z471105000 | FILTRO (BITRON 06281.01) | FILTER (BITRON 06281.01) | 2 | | | | |
| 21 | 3676900000 | TUBO GOMA NEGRA Ø17*10 | BLACK RUBBER PIPE Ø17*10 | 1 | | | | |
| | Q881302000 | ABRAZADERA 12/20 | CLAMP 12/20 | 2 | | | | |
| 22 | Z471101000 | DESCALCIFICADOR 4 COLUMNAS | WATER SOFTENER 4 COLUMN | 1 | | | | |
| | Q152012000 | PERNO SOLDADO M6X15 | PERNO SOLDADO M6X15 | 2 | | | | |
| | Z471112000 | SOPOR. INFERIOR DESCALCIFICAD | LOWER W-SOFT. SUPPORT. | 2 | | | | |
| | | | | | | | | |
| | | | | | | | | |
| | | | | | | | | |
| | | | | | | | | |
| | | | | | | | | |
| | | | | | | | | |
| | | | | | | | | |
| | | | | | | | | |
| | | | | | | | | |
| | | | | | | | | |
| | | | | | | | | |
| | | | | | | | | |
| | | | | | | | | |
| | | | | | | | | |
| | | | | | | | | |

Зип Общепит

vsezip.ru

+7(812)987-08-81



ITEM MARCADO EN COLOR = REPUESTO RECOMENDADO
COLOURED ITEM = RECOMMENDED SPARE PART

| | | | | | | |
|---------|--------------------|---------|--------------------|------------------------------|--------|---------------------------------------|
| N plano | Firma | Fecha | Aparato | CONJUNTO FUNCIONAL ELECTRICO | Lamina | Fagor Industrial S.Coop. FAGOR |
| C-2477 | <i>(Signature)</i> | 2009-12 | LAVAVAJILLAS AD-64 | | 8 | Oñate |

| | | | |
|-------------|---|-------------|-------------------------------------|
| MOD. | LAVAVAJILLAS DE APERTURA FRONTAL | ZONA | CONJUNTO FUNCIONAL ELECTRICO |
|-------------|---|-------------|-------------------------------------|

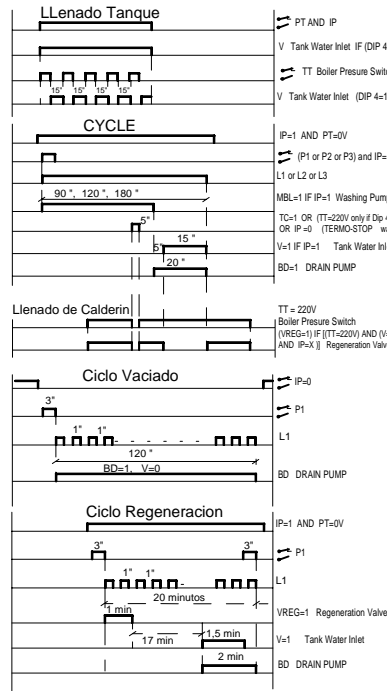
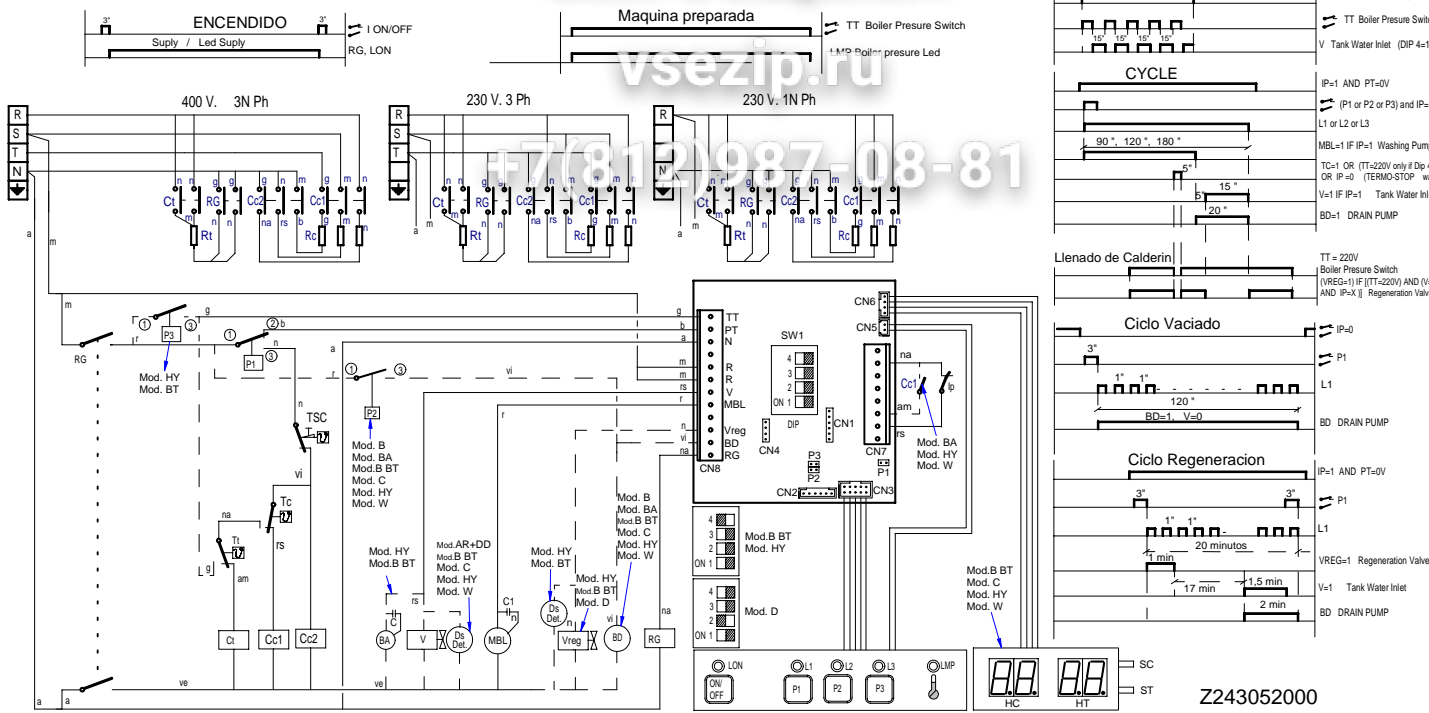
| ITEM | CODIGO | DENOMINACION | TEXTO | AD-64 | AD-64 B | AD-64 C | AD-64 D | AD-64 DD |
|------|------------|-------------------------------|-----------------------------|-------|---------|---------|---------|----------|
| 1 | Z202930000 | FRENTE COMPLETO AD | COMPLETE FRONT AD | 1 | 1 | 1 | 1 | 1 |
| 2 | Z203010000 | AMARRE INTERRUPT. MAGNETICO | MAGNETIC SWITCH FASTENER | 1 | 1 | 1 | 1 | 1 |
| | Q152004000 | TORNILLO APLASTADO M5x13 A304 | FLAT HEADED BOLT M5x13 A304 | 1 | 1 | 1 | 1 | 1 |
| | Q162030000 | TUERCA EXAGONAL M5 | HEXAGONAL NUT M5 | 1 | 1 | 1 | 1 | 1 |
| 3 | Z203009000 | INTERRUPTOR MAGNETICO | MAGNETIC SWITCH | 1 | 1 | 1 | 1 | 1 |
| 4 | Z213007000 | CONTACTOR 230 V. 50-60 HZ | CONTACTOR 230 V. 50-60 HZ | 3 | 3 | 3 | 3 | 3 |
| 4 | Z213007000 | CONTACTOR 230 V. 50-60 HZ | CONTACTOR 230 V. 50-60 HZ | 1 | 1 | 1 | 1 | 1 |
| 4 | Z683087000 | CONTACTOR 3TF20 01-3AL2 230 | CONTACTOR 3TF20 01-3AL2 | 1 | 1 | 1 | 1 | 1 |
| 5 | Z203011000 | CAMARA PRESOSTATO | PRESSURE SWITCH | 1 | 1 | 1 | 1 | 1 |
| 6 | Z203012000 | EMPALME PRESOSTATO | PRESSURE SWITCH CONNEX | 1 | 1 | 1 | 1 | 1 |
| 7 | Z203013000 | TORNILLO PRESOSTATO | PRESSURE SWITCH BOLT | 1 | 1 | 1 | 1 | 1 |
| | Q307003000 | JUNTA TORICA 16.01X10.77X2.62 | O-RING 16.01X10.77X2.62 | 3 | 3 | 3 | 3 | 3 |
| 8 | 3702400000 | TUBO GOMA NEGRO D 8*4 | BLACK RUBBER PIPE Ø 8*4 | 1 | 1 | 1 | 1 | 1 |
| | P102154000 | BRIDA ELASTICA TUBO | ELASTIC PIPE FLANGE | 2 | 2 | 2 | 2 | 2 |
| 9 | Z103077000 | RACORD EN Y | Y CONNECTION | — | 1 | 1 | — | — |
| 10 | Z203023000 | PRESOSTATO SIMPLE PVS | SIMPLE PRESSURE SWITCH | 1 | 1 | 1 | 1 | 1 |
| 11 | Z223005000 | PRESOSTATO SIMPLE P.V.S. | SIMPLE PRESSURE SWITCH | — | 1 | 1 | — | — |
| S/Nº | Z218002000 | ESCUADRA AMARRE PRESOSTATO | PRESSURE SWITCH SQUARE | 1 | 1 | 1 | 1 | 1 |
| | Q082032000 | TORNILLO ALOMADO BZ-3,5X9,5 | ALOM. BOLT BZ-3,5X9,5 | 1 | 1 | 1 | 1 | 1 |
| | Q152004000 | TORNILLO APLASTADO M5x13 A304 | FLAT HEADED BOLT M5x13 A304 | 1 | 1 | 1 | 1 | 1 |
| | Q232030000 | ARANDELA A5 | WASHER A5 | 1 | 1 | 1 | 1 | 1 |
| | Q162030000 | TUERCA EXAGONAL M5 | HEXAGONAL NUT M5 | 1 | 1 | 1 | 1 | 1 |
| 12 | Z203020000 | RETENEDOR DE CABLE | CABLE HOLDER | 1 | 1 | 1 | 1 | 1 |
| 13 | R253044000 | REGLETA AUXILIAR FV-122 | AUXILIARY STRIP FV-122 | 1 | 1 | 1 | 1 | 1 |
| | Z213005000 | ROTULO ADHESIVO | ADHES. LABEL | 1 | 1 | 1 | 1 | 1 |
| | Q152004000 | TORNILLO APLASTADO M5x13 | FLAT HEADED BOLT M5x13 A304 | 2 | 2 | 2 | 2 | 2 |
| | Q232030000 | ARANDELA A5 | WASHER A5 | 2 | 2 | 2 | 2 | 2 |
| | Q162030000 | TUERCA EXAGONAL M5 | HEXAGONAL NUT M5 | 2 | 2 | 2 | 2 | 2 |
| 14 | Z213069000 | TARJETA 5 RELES GICAR | CHAMBER 5 RELAY GICAR | 1 | 1 | 1 | 1 | 1 |
| | Q242020000 | ARANDELA ABANICO A5 A.304 | FAN WASHER A4 A.304 | 4 | 4 | 4 | 4 | 4 |
| | Q042022000 | TORN. AVELLANADO M4X15 | COUNTERSUNK BOLT M4X15 | 4 | 4 | 4 | 4 | 4 |

| | | | |
|-------------|---|-------------|-------------------------------------|
| MOD. | LAVAVAJILLAS DE APERTURA FRONTAL | ZONA | CONJUNTO FUNCIONAL ELECTRICO |
|-------------|---|-------------|-------------------------------------|

| ITEM | CODIGO | DENOMINACION | TEXTO | AD-64 | AD-64 B | AD-64 C | AD-64 D | AD-64 DD |
|------|------------|-------------------------------|-----------------------------|-------|---------|---------|---------|----------|
| 15 | Z203088000 | SOPORTE COMPONENTES | COMPON. SUPPORT | 1 | 1 | 1 | 1 | 1 |
| | Q262030000 | ARANDELA GROW. A5 A.304 | WASHER GROW. A5 A.304 | 2 | 2 | 2 | 2 | 2 |
| | Q162030000 | TUERCA EXAGONAL M5 | HEXAGONAL NUT M5 | 2 | 2 | 2 | 2 | 2 |
| | R663036000 | FIJACION CIRCUITO | CIRCUIT BINDINGS | 3 | 3 | 3 | 3 | 3 |
| 16 | Z713017000 | DISPLAY GICAR TEMPERATURAS | DISPLAY GICAR | 1 | 1 | 1 | 1 | 1 |
| 17 | Z262908000 | EMBELLECED. ADHESIVO AD-72 | ADHES. TRIM AD-72 | 1 | - | - | - | 1 |
| 17 | Z222904000 | EMBELLECED. ADHESIVO AD-48 C | ADHES. TRIM AD-48 C | - | 1 | 1 | - | - |
| 17 | Z222906000 | EMBELLECED. ADHESIVO AD-48 D | ADHES. TRIM AD-48 D | - | - | - | 1 | - |
| 18 | Z203601000 | RESISTENCIA TANQUE | TANK RESISTOR | 1 | 1 | 1 | 1 | 1 |
| 19 | Z713028000 | SONDA TEMPERATURA GICAR | TEMPERATURA PROBE GICAR | 1 | 1 | 1 | 1 | 1 |
| 20 | Z101723000 | CAPERUZA RESISTENC. CALDERIN | BOILER RESIST. CAP | 1 | 1 | 1 | 1 | 1 |
| | Q163140000 | TUERCA EXAGONAL M6 LATON | HEXAGONAL NUT M6 BRASS | 2 | 2 | 2 | 2 | 2 |
| | Q242030000 | ARANDELA ABANICO A5 A.304 | FAN WASHER A5 A.304 | 2 | 2 | 2 | 2 | 2 |
| | Q152004000 | TORNILLO APLASTADO M5x13 A304 | FLAT HEADED BOLT M5x13 A304 | 2 | 2 | 2 | 2 | 2 |
| 21 | Z241701000 | RESISTENCIA CALDERIN | BOILER RESISTOR | 1 | 1 | 1 | 1 | 1 |
| | Q221305000 | TUERCA EXAGONAL M4 ZINCADA | HEXAGONAL NUT M4 ZIN. | 2 | 2 | 2 | 2 | 2 |
| | Q163140000 | TUERCA EXAGONAL M6 LATON | HEXAGONAL NUT M6 BRASS | 5 | 5 | 5 | 5 | 5 |
| | Q262040000 | ARANDELA GROW. A6 A.304 | WASHER GROW. A6 A.304 | 5 | 5 | 5 | 5 | 5 |
| 22 | Q307035000 | JUNTA TORICA AN-36 282333 | "O" RING AN-36 282333 | 1 | 1 | 1 | 1 | 1 |
| 23 | Z718446000 | CHAPA W 85°C | W 85°C PLATE | 1 | 1 | 1 | 1 | 1 |
| 24 | Z203047000 | SOPORTE TERMOSTATOS | THERMOSTAT SUPPORT | 1 | 1 | 1 | 1 | 1 |
| | Q012031000 | TORNIL. EXAGONAL M5X10 A.304 | HEXAGONAL BOLT M5X10 | 2 | 2 | 2 | 2 | 2 |
| | Q232030000 | ARANDELA A5 | HEXAGONAL NUT M5 | 2 | 2 | 2 | 2 | 2 |
| 25 | Z203014000 | TERMOSTATO CALDERIN | WASH DRUM THERMOSTAT | 2 | 2 | 2 | 2 | 2 |
| 26 | Z213014000 | LIMITADOR TECASA P. | TECASA P. LIMITER | 1 | 1 | 1 | 1 | 1 |
| 27 | Z203060000 | AMARRE LIMITADOR TECASA | LIMITER FASTENING | 1 | 1 | 1 | 1 | 1 |
| | Q221341000 | REMACHE EXAGONAL M4 | HEXAGONAL RIVET M4 | 2 | 2 | 2 | 2 | 2 |
| | Q152024000 | TORNIL. AVELLANADO M4X8 A304 | COUNTERSUNK BOLT M4x8 | 2 | 2 | 2 | 2 | 2 |
| 28 | Z603602000 | SOPORTE RESISTENCIA TANQUE | TANK RESISTOR SUPPORT | 1 | 1 | 1 | 1 | 1 |
| | Q232040000 | ARANDELA A6 | WASHER A6 | 1 | 1 | 1 | 1 | 1 |
| | Q162040000 | TUERCA EXAGONAL M6 | HEXAGONAL NUT M6 | 1 | 1 | 1 | 1 | 1 |

| MOD. LAVAVAJILLAS DE APERTURA FRONTAL | | ZONA VARIOS | | | | | | |
|---------------------------------------|------------|------------------------------|----------------------------|-------|---------|---------|---------|----------|
| ITEM | CODIGO | DENOMINACION | TEXTO | AD-64 | AD-64 B | AD-64 C | AD-64 D | AD-64 DD |
| | Z246133000 | FOLLETO INSTRUCCIONES AD-64 | INSTRUCTION LEAFLET. AD-64 | 1 | 1 | 1 | 1 | 1 |
| | Z243052000 | ESQUEMA TEORICO AD-64 | THEORETICAL DIAGRAM AD-64 | 1 | 1 | 1 | 1 | 1 |
| | Z243053000 | PLANO DE MONTAJE AD-64 | ASSEMBLY DIAGRAM AD-64 | 1 | 1 | 1 | 1 | 1 |
| | Z203091000 | INSTALACION ELECTRICA AD-64 | ELEC. INSTALATION AD-64 | 1 | 1 | 1 | 1 | 1 |
| | Z208913000 | CABLE DE ALIMENTACION | SUPPLY CABLE | 1 | 1 | 1 | 1 | 1 |
| | Z213063000 | CABLEADO CONEXIÓN SONDAS | PROBE CONNECTION WIRING | 1 | 1 | 1 | 1 | 1 |
| | Z713021000 | CABLE CONEXION PLACA-DISPLAY | DISPLAY CONNECTI. WIRING | 1 | 1 | 1 | 1 | 1 |
| | Z208904000 | CABLEADO DOSIFICADOR DTGTE | DOSEFOR DETERGEN. WIRING | _ | _ | 1 | _ | 1 |
| | Z253046000 | CABLEADO BOMBA DESAGUE | DRAINAGE PUMP WIRING | _ | _ | 1 | _ | _ |
| | | | | | | | | |
| | | | | | | | | |
| | | | | | | | | |
| | | | | | | | | |
| | | | | | | | | |
| | | | | | | | | |
| | | | | | | | | |
| | | | | | | | | |
| | | | | | | | | |
| | | | | | | | | |
| | | | | | | | | |
| | | | | | | | | |
| | | | | | | | | |
| | | | | | | | | |
| | | | | | | | | |
| | | | | | | | | |
| | | | | | | | | |
| | | | | | | | | |

AD 72, AD 72 W, AD 64, AD 64 AR+DD, AD 64 B, AD 64 BA, AD 64 B BT, AD 64 C, AD 64 D, AD 64 HY, AD 64 W



| FAGOR ELECTRONICO MODELO ADVANCE | DIP1 | DIP2 | DIP3 | DIP4 | TIEMPOS CICLOS (sg.) |
|--|------|------|------|------|-------------------------|
| AD-48, AD-48 B, AD-48 DD, AD-48 B BT, AD-64, AD-64 B, AD-64 DD, AD-64 B BT, AD-72. | OFF | OFF | ON | OFF | P1=60 / P2= 90 / P3=180 |
| AD-48 D, AD-64 D | OFF | ON | ON | OFF | |
| AD-48 C, AD-48 W, AD-48 HY, AD-64 C, AD-64 W, AD-64 HY, AD-72 W | OFF | OFF | ON | ON | |

DIP1 = ON, al cerrar la puerta o bajar capó el lavavajillas se pone en marcha.
 DIP1= OFF, al cerrar la puerta o bajar el capo el lavavajillas sigue lavando SÓLO SI EL CICLO NO HA ACABADO.

DIP2 = ON, Para los modelos que llevan DESCALCIFICADOR, versiones "D".
 DIP2 = OFF, para los modelos con BOMBA DESAGÜE, versiones "B".

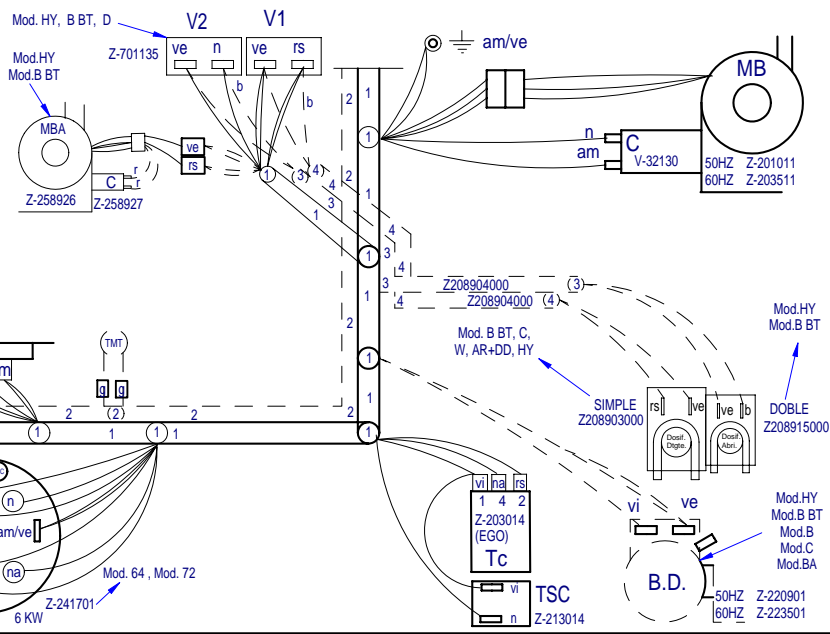
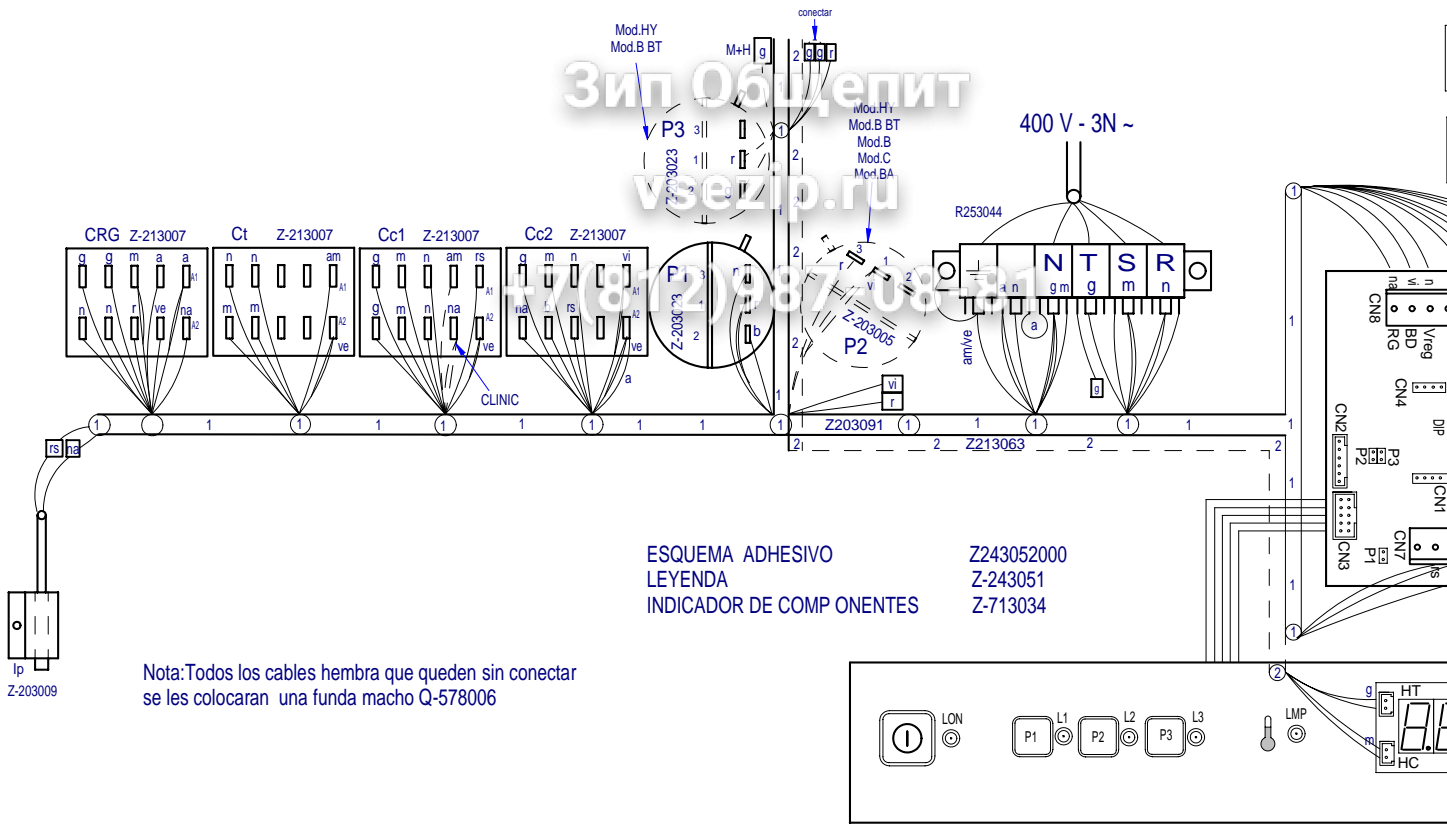
DIP1 + DIP3 , con las diferentes combinaciones posibles configuramos los tiempos de ciclo.

DIP4 = ON, TERMOSTOP ACTIVADO, para los modelos con termo stop, versiones "C", "W" y "HY".
 DIP4 = OFF, TERMOSTOP DESACTIVADO, para los modelos que NO llevan TERMOSTOP.

| | | |
|------------------------|-------------------------|----------------|
| - | Esquema teorico | L.A.F. AD 64 |
| Zk./Nº | Pieza | |
| Zk./Nº | Aidaketa/Modificaciones | |
| . | . | |
| . | . | |
| . | . | |
| . | . | |
| . | . | |
| | | Sinadura/Firma |
| Marratzua/Dibujado | M.Maillio | 30-05-2 |
| Proiektatua/Proyectado | M.Maillio | 30-05-2 |
| Egiaztatua/Comprobado | Z. Alube | 30-05-2 |
| Eskala/Escala | | |
| . | | |

Plano hau ezin daiteke er...

Зип Общедит
vsezip.ru
7(812)987-0087



| | |
|------------------------|--------------|
| Plano montaje L.A.F.A. | |
| Nº | Pieza |
| Nº | Modificacion |
| | |
| | |
| | |
| | |
| Dibujado | M.Mailk |
| Proyectado | M.Mailk |
| Comprobado | Z.Altu |
| Escala | |
| | |
| | |
| | |

LEYENDA APERTURA FRONTAL

| | ESPAÑOL | FRANÇAIS | ENGLISH | DEUTSCH |
|------------|-----------------------------------|---------------------------------|------------------------------|---------------------------------|
| BD | Bomba desagüe | Pompe de vidage | Drain pump | Abflußpumpe |
| C 1/2/3 | Condensador | Condensateur | Condenser | Kondensator |
| CMB | Contactora bomba lavado | Contacteur pompe lavage | Wash pump contactor | Kontaktschütz Waschpumpe |
| Cc 1/2 | Contactora calentamiento calderin | Contacteur chauff. surchauffeur | Boiler heating contactor | Kontaktschütz Boilerheizung |
| Ct | Contactora calentamiento tanque | Contacteur chauffage cuve | Tank heating contactor | Kontaktschütz Heizung Tank |
| CP | Rele puerta | Relais porte | Door relay | Türrelais |
| Ds.Det. | Dosificador detergente | Dosueur de detergent | Detergent doser | Dosierer Spülmittel |
| E.B | Electrobomba de presion | Electropompe de pression | Electric pressure pump | Elektro-Drucksteigerungspumpe |
| IG | Interruptor general | Interrupteur general | Main switch | Hauptschalter |
| IP | Micro puerta | Micro porte | Door microswitch | Mikroschalter Tür |
| L1 | Piloto de encendido | Voyant fonctionnement | Operation light | Betriebsanzeigelampe |
| L2 | Piloto marcha | Voyant demarrage | Start light | Startanzeigelampe |
| L3 | Piloto maquina preparada | Voyant machine prêt | Light machine ready | Betriebsbereitschaftsanzeige |
| MBL | Bomba lavado | Pompe lavage | Wash pump | Waschpumpe |
| M | Motor programador | Moteur du programmateur | Motor programmer | Motor Programmiervorrichtung |
| M Av. R | Motor program. avance rapido | Moteur du progr.avance rapide | Motor program. rapid advance | Motor Programmiervorrich. so |
| M1 | Micro programador marcha | Micro du programm. de marche | Micro programmer on | Motor Programmiervorrich. Be |
| M2 | Micro programador lavado | Micro du programm. de lavage | Micro programmer wash | Motor Programmiervorrich. W |
| M3 | Micro programador aclarado | Micro du programm. de rinçage | Micro programmer on | Motor Programmiervorrich. Sp |
| M4 | Micro programador Termo-stop | Micro du programm. Thermo-stop | Micro programmer Thermo-stop | Motor Programmiervorrich. Th |
| M5 | Micro programador avance | Micro du programm. avance | Micro programmer advance | Motor Programmiervorrich. V |
| P, P1, P5 | Presostato | Pressostat | Pressure switch | Druckwächter |
| P2, P3, P4 | Presostato limitador | Pressostat de sécurité | Hi-limit pressure switch | Begrenzer Druckwächter |
| RC | Resistencia calderin | Resistance surchauffeur | Boiler heating element | Heizwiderstand Boiler |
| RT | Resistencia tanque | Resistance cuve | Tank heater | Heizwiderstand Tank |
| Tt | Termostato tanque | Thermostat de cuve | Tank thermostat | Thermostat Tank |
| TC | Termostato calderin | Thermostat surchauffeur | Boiler thermostat | Thermostat kessel |
| TSC | Limitador calderin | Limiteur surchauffeur | Boiler Hi-limit | Begrenzer Boiler |
| TSTP | Termostato termo-stop | Thermostat Thermo-stop | Thermo-stop Thermostat | Thermostat Thermo-stop |
| V | Electrovalvula llenado y aclarado | Electrovan. remplissage rinçage | Fill and rinse valve | Elektroventil Füllen und Spülen |
| COLOR | COLORES | COULEURS | COLOUR | FARBEN |
| a = | Azul | Bleu | Blue | Blau |
| am = | Amarillo | Jaune | Yellow | Gelb |
| am/ve = | Amarillo/verde | Jaune / vert | Yellow / green | Gelb/grün |
| b = | Blanco | Blanc | White | Weiß |
| g = | Gris | Gris | Grey | Grau |
| m = | Marrón | Marron | Brown | Braun |
| n = | Negro | Noir | Black | Schwarz |
| na = | Naranja | Orange | Orange | Orange |
| r = | Rojo | Rouge | Red | Rot |
| rs = | Rosa | Rose | Pink | Rosa |
| ve = | Verde | Vert | Green | Grün |
| vi = | Violeta | Violet | Purple | Violett |