

Зип Общепит
vsezip.ru
+7(812)987-08-81

Icematic®

Spare parts list • *Catalogo ricambi*
Catalogues pièces détachées



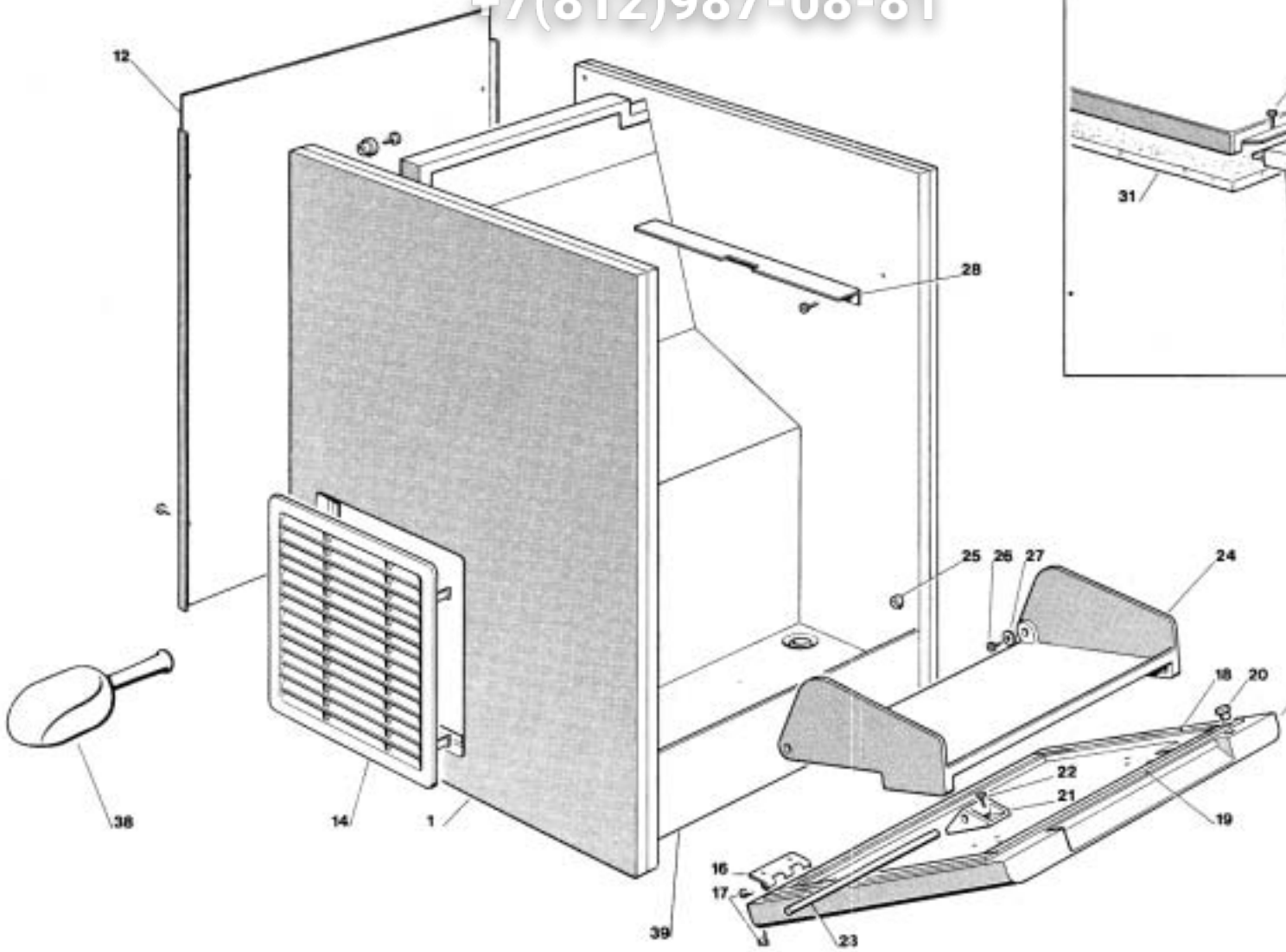
Cod. 71503398/0 - 06/2003

N25S
R134a

Зип Общепит

vsezip.ru

+7(812)987-08-81

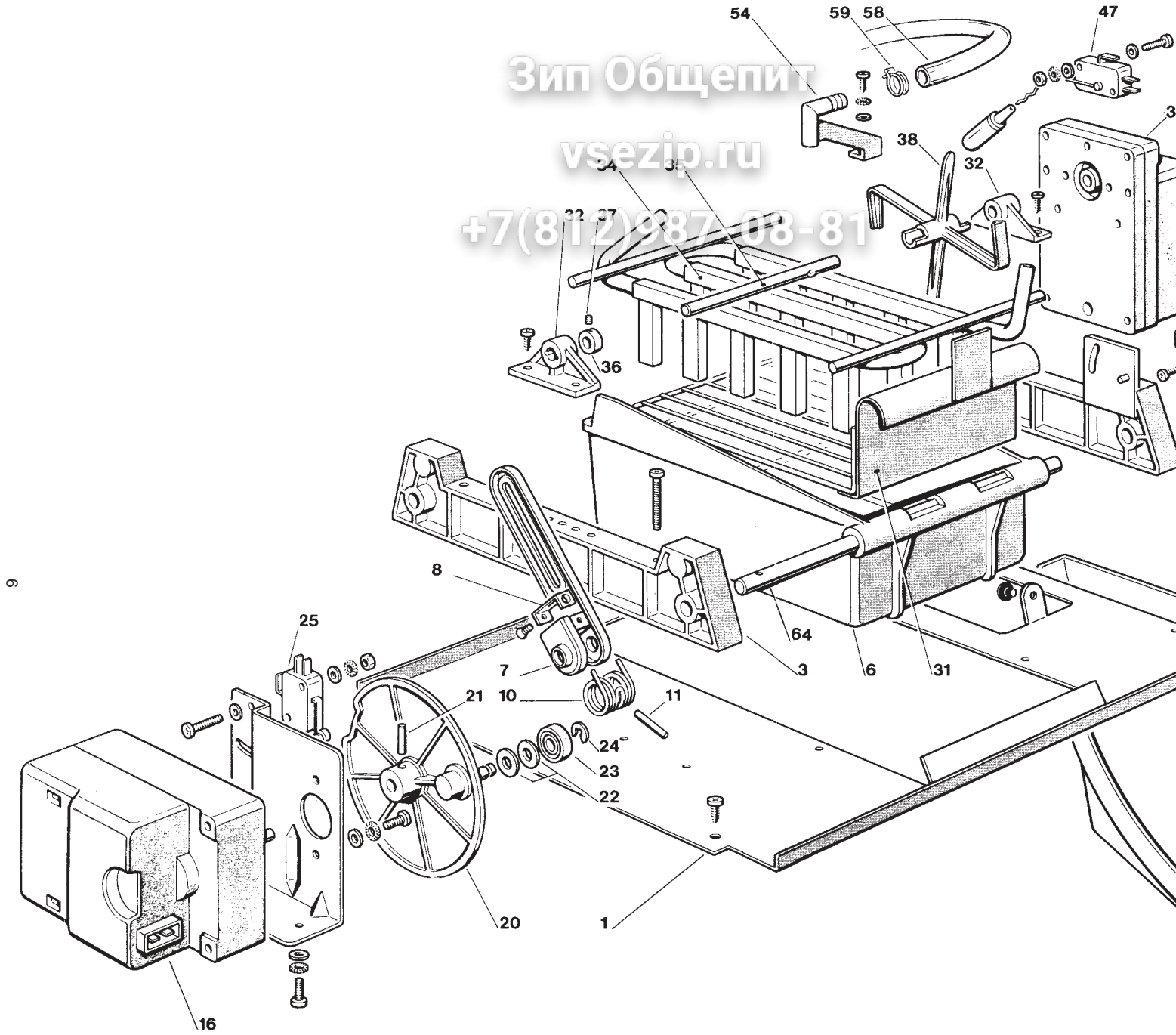


Pos. Nr.	Codice Code	Descrizione	Description	Description	Quantità Q.ty Q.tè
1	81400710/0	ASSIEME MOBILE	CABINET ASS'Y	ENSEMBLEMEUBLE	1
1A	81400711/0	ASSIEME MOBILE INOX	CABINET ASS'Y INOX	ENSEMBLEMEUBLE INOX	1
12	81401513/0	PANNELLO POSTERIORE	BACK PANEL	PANNEAU ARRIERE	1
12A	81401514/0	PANNELLO POSTERIORE INOX	BACK PANEL INOX	PANNEAU ARRIERE INOX	1
14	25610076/0	PRESA D'ARIA	AIR INTAKE	PRISE D'AIR	2
14A	25610078/0	PRESA D'ARIA INOX	AIR INTAKE INOX	PRISE D'AIR INOX	2
15	81401649/0	ASS. PORTA	COMPLETE DOOR	PORTE COMPLETE	1
15A	25600187/0	PORTA N25S	DOOR	PORTE	1
16	19120050/0	CERNIERA	HINGE	CHARNIERE	2
18	25620413/0	GUARNIZIONE	GASKET	GARNITURE	2
19	25620417/0	GUARNIZIONE	GASKET	GARNITURE	2
20	41109519/0	MAGNETE	MAGNET	MAGNETO	2
21	25726279/0	SUPPORTO	SUPPORT	SUPPORT	2
23	25085096/0	ALBERINO	SHAFT	ARBRE	1
24	25250099/0	DEFLETTORE	DEFLECTOR	DEFLECTEUR	1
28	25725436/0	SUPPORTO	SUPPORT	SUPPORT	2
30	25161039/0	COPERCHIO	COVER	COUVERCLE	1
30A	25161040/0	COPERCHIO INOX	COVER INOX	COUVERCLE INOX	1
31	25550179/0	ISOLANTE	INSULATOR	ISOLANT	1
33	25175525/0	CRUSCOTTO	FRONT PANEL	PANNEAU FRONTAL	1
37	25740061/0	TARGHETTA DI DEN. BLU NOTTE	LABEL BLU VERSION	PLAQUETTE	1
37A	25740062/0	TARGHETTA DI DEN. INOX	ICE SCOOP INOX VERSION	PALLE A GLACE	1
38	19500100/0	PALETTA	ICE SCOOP	PALLE A GLACE	1
39	25470038/0	MASCHERINA	PANEL	PANNEAU	1
39A	25470039/0	MASCHERINA INOX	PANEL INOX	PANNEAU INOX	1
50	19120434/0	CHIUSURA PUSH	PUSH LOCK	FERMETURE "PUSH"	1
51	33400053/0	INTERRUTTORE LUM. VERDE	GREEN LIGHT SWITHC	INTERRUPTEUR LUMINEUX VERT	1
52	25570459/0	PIASTRA SUPP. COM.I AIR VERSION	CONTROL SUP. PLATE FOR AIR COOLED VERS.	PLAQUE SUPPORT COMMANDES - VERS. AVEC COND. À AIR	1
52A	25570460/0	PIASTRA SUPP. COM. WATER VERS.	CONTROL SUP. PLATE FOR WATER COOLED VERS.	PLAQUE SUPPORT COMMANDES - VERS. AVEC COND. À EAU	1
53	25161138/0	COPERCHIO COMANDI	COVER BOX CONTROL	COUVERCLE	1
54	33470507/0	SPIA LUMINOSA ROSSA	RED LIGHT ALLARM	ALARME LUMINEUX ROUGE	1
56	25352500/0	FRONTALINO PER VERSIONE BLU	FRONTAL PANEL FOR BLUE VERS.	PETIT PANNEAU FRONTAL VERSION BLEUE	1
56A	25352501/0	FRONTALINO PER VERSIONE INOX	FRONTAL PANEL FOR STAINLESS STEEL VERS.	PETIT PANNEAU FRONTAL VERSION INOX	1

Зип Общепит

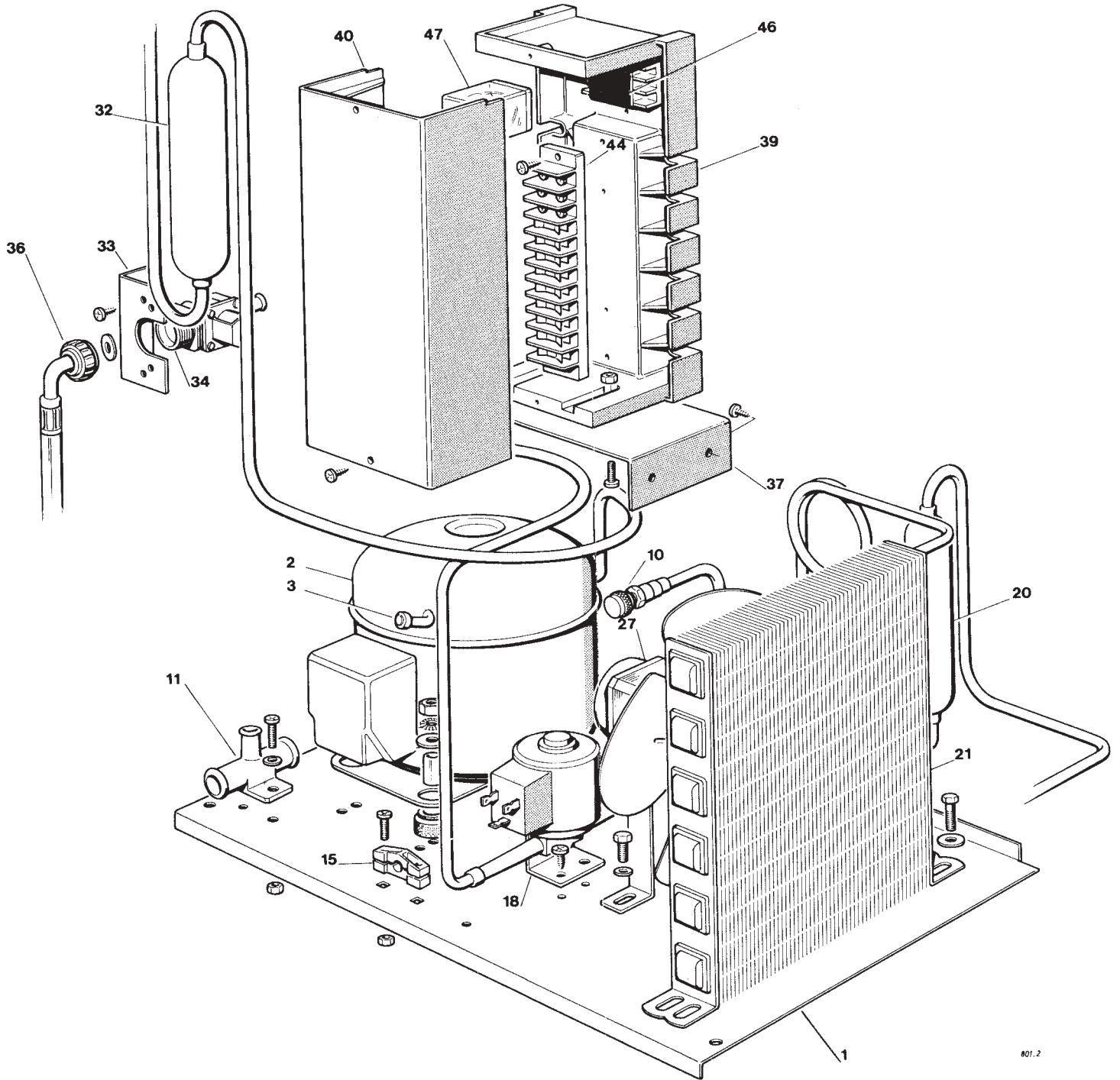
vsezip.ru

+7(812)987-08-81

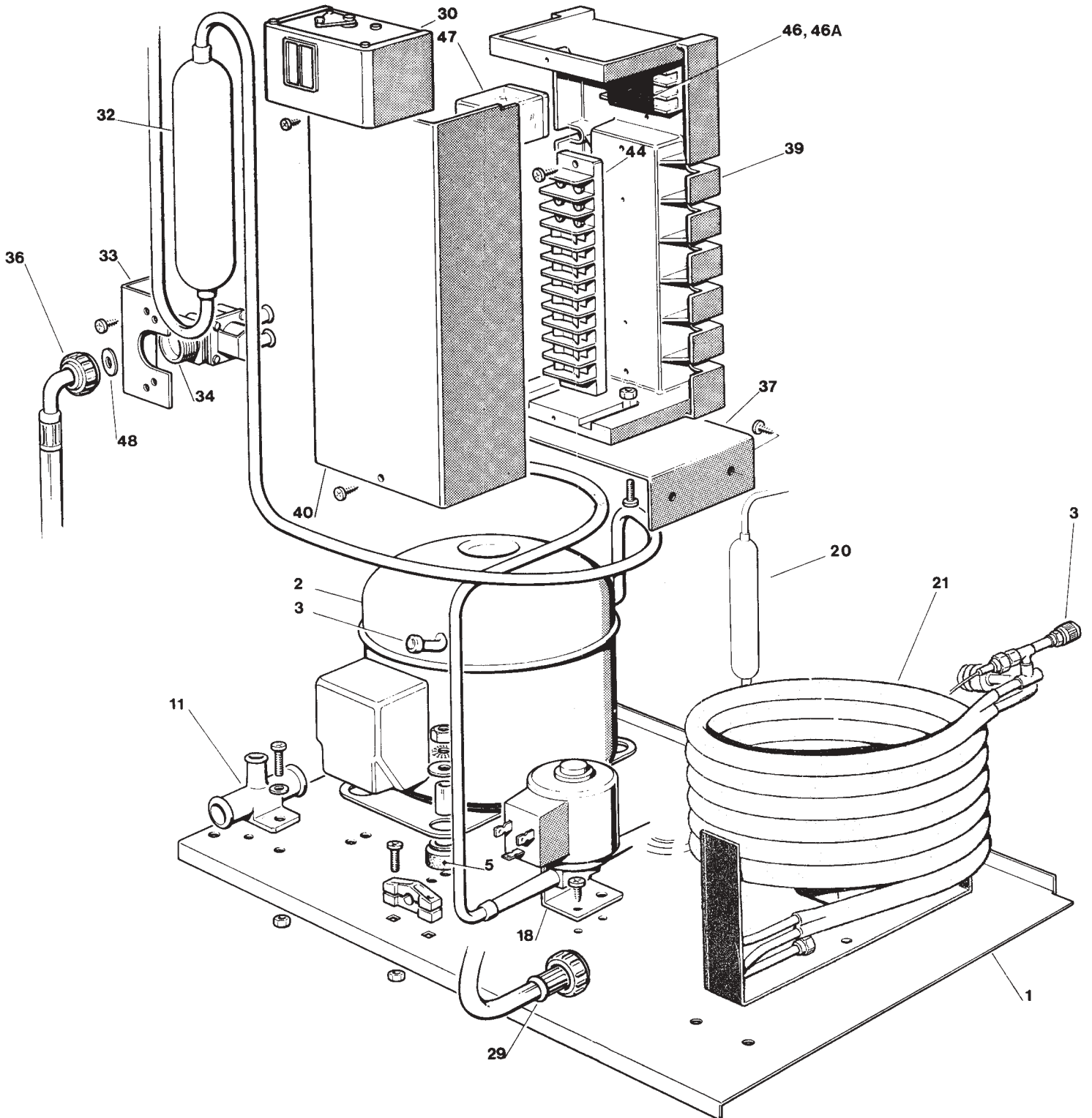


+7(812)987-08-81

Pos. Nr.	Codice Code	Descrizione	Description	Description	Quantità Q.ty Q.té
1	25745124/0	TELAIO EVAPORATORE	EVAPORATOR FRAME	PLAQUE SUPPORT EVAPORATEUR	1
1A	25745127/0	TELAIO EVAPORATORE (DA APRILE 2000)	EVAPORATOR FRAME (FROM APRIL 2000)	PLAQUE SUPPORT EVAPORATEUR (DEPUIS AVRIL 2000)	1
3	25726121/0	SUPPORTO EVAPORATORE	SUPPORT	SUPPORT	1
4	25726122/0	SUPPORTO EVAPORATORE	SUPPORT	SUPPORT	1
6	81403005/0	BACINELLA CON LEVERAGGI	COMPLETE TILTING PAN	BAC COMPLETE	1
6A	81401621/0	BACINELLA CON LEVERAGGI (DA APRILE 2000)	COMPLETE TILTING PAN (FROM APRIL 2000)	BAC COMPLETE (DEPUIS AVRIL 2000)	1
7	25440110/0	LEVA	LEVER	LEVIER	1
8	25325953/1	PIASTRINA	STOP PLATE	PLAQUETTE	1
10	25474600/0	MOLLA	SPRING	RESSORT	1
11	25560256/0	PERNO	GUIDGEON	PIVOT	1
16	81404024/0	ASSIEME MOTORIDUTTORE/ DISCO/ SUPPORTO/ MICRO - R 134A	MOTOR/SUPPORT/CAM MICRO ASS'Y - R 134A	ENSEMBLE MOTOREDUCTEUR/ SUPPORT/ CAME/ MICRO - R 134A	1
20	25260000/0	DISCO	CAM	CAME DE BASCULER	1
21	12639300/0	SPINA	PIN	GOUILLE	1
22	25654016/0	RONDELLA	WASHER	RONDELLE	2
23	25110911/0	BUSSOLA	BUSH	DOUILLE	1
24	12000950/0	ANELLO D'ARRESTO	SEEGER	BAGUE D'ARRÊT	1
25	19410208/0	MICRO	MICRO	MICRO	1
31	81403045/0	CONVOGLIATORE	ICE DEFLECTOR	CONTRE CUVETTE	1
31A	81401622/0	CONVOGLIATORE (DA APRILE 2000)	ICE DEFLECTOR (FROM APRIL 2000)	CONTRE CUVETTE (DEPUIS AVRIL 2000)	1
32	25726115/3	SUPPORTO ALBERO PALETTE	PADDLE SHAFT SUPPORT	SUPPORT ARBRE PALETTES	2
34	81401576/0	EVAPORATORE R 22 - R 134A	EVAPORATOR R 22 - R 134A	EVAPORATEUR R 22 - R 134A	1
34A	81401620/0	EVAPORATORE - R 134A (DA APRILE 2000)	EVAPORATOR - R 134A (FROM APRIL 2000)	EVAPORATEUR - R 134A (DEPUIS AVRIL 2000)	1
35	25030006/0	ALBERO PALETTE	PADDLE SHAFT	ARBRE PALETTES	1
35A	25030022/0	ALBERO PALETTE (DA APRILE 2000)	PADDLE SHAFT (FROM APRIL 2000)	ARBRE PALETTES (DEPUIS AVRIL 2000)	1
36	25110914/0	BUSSOLA	BUSH	DOUILLE	2
37	12712002/0	VITE	SCREW	VIS	2
38	25545520/2	PALETTA	PADDLE	PALETTE	2
39	19440059/0	MOTORIDUTTORE PALETTE	PADDLE MOTOR	MOTOREDUCTEUR PALETTES	1
40	25725433/0	SUPPORTO MOTORIDUTTORE	PADDLE MOTOR SUPPORT	SUPPORTMOTOREDUCTEUR PALETTES	1
42	25525419/0	SUPPORTO	SUPPORT	SUPPORT	1
44	19410209/0	MICROIMPULSI	MICRO	MICRO	1
47	81409179/0	ASS. MICROGALLEGGIANTE	MICRO/ FLOAT BALL ASS'Y	ENSEMBLE MICRO/ FLOTTEUR	1
54	25300000/0	RACCORDO ENTRATA ACQUA	WATER INLET TUB	TUYAU ENTREE EAU	1
58	25791018/0	TUBO	TUBE	TUYAU	1
59	19280700/0	FASCETTA	CLAMP	BANDE	1
60	25820083/0	VASCHETTA	PAN	BAC	1
63	25780153/0	TUBO SCARICO	DRAIN PIPE	TUYAU D'ECOULEMENT	1
64	25030004/0	ALBERO BACINELLA	SHAFT	ARBRE	1
64A	25030021/0	ALBERO BACINELLA (DA APRILE 2000)	SHAFT (FROM APRIL 2000)	ARBRE (DEPUIS AVRIL 2000)	1



Pos. Nr.	Codice Code	Descrizione	Description	Description	Quantità Q.ty Q.té
1	25114006/0	BASAMENTO	BASE	CHASSIS	1
2/A	19165497/0	COMPRESSORE GL45 TB (R 134A)	COMPRESSOR GL45 TB (R 134A)	COMPRESSEUR GL45 TB (R 134A)	1
2/B	19180464/0	CONDENSATORE DI SPUNTO R 134A	START CONDENSER R 134A	CONDENSATEUR DE DEMARRAGE R 134A	1
2/C	19618001/0	RELÉ R 134A	RELAY R 134A	RELAIS R 134A	1
2/D	19560131/0	PROTETTORE R 134A	PROTECTOR R 134A	PROTECTION R 134A	1
3	19864900/0	VALVOLINA DI CARICA	CHARGE VALVE	VANNE DE CHARGE	1
11	25690806/0	SCARICO H ₂ O MACCHINA	WATER DRAIN PIPE	ECOULEMENT D'EAU	1
15	33320521/0	FISSACAVO	CABLE FASTNER	FIXATION DU CABLE	1
18	19863033/0	VALVOLA GAS	GAS VALVE	VANNE DE GAZ	1
20	19300802/0	FILTRO DISIDRATORE R 134A	DRIER R 134A	FILTRE DESHYDRATEUR R 134A	1
21	19177509/0	CONDENSATORE R 134A	CONDENSER R 134A	CONDENSATEUR R 134A	1
27	18562503/0	ELETTRVENTILATORE	FAN MOTOR	VENTILATEUR	1
32	81408421/0	ASS. SCAMBIATORE - R 134A	EXCHANGER ASS'Y - R 134A	ECHANGEUR - R 134A	1
33	25726327/0	SUPPORTO	SUPPORT	SUPPORT	1
34	19865502/0	ELETTRVALVOLA H ₂ O	ELECTRO VALVE H ₂ O	ELECTRO VANNE EAU H ₂ O	1
36	19810111/0	ASS. TUBO ENTRATA H ₂ O	WATE INLET TUBE ASS'Y	ASS. TUYAU ENTREE EAU	1
36A	19810114/0	TUBO SCARICO H ₂ O	DRAIN PIPE	TUYAU DE DECHARG	1
37	25726326/0	SUPPORTO CABLAGGIO	CABLE SUPPORT	SUPPORT ELECTRIQUE	1
39	25690230/0	SCATOLA CABLAGGIO	CABLE BOX	BOITER ELECTRIQUE	1
40	2516705/0	COPERCHIO SCATOLA CABLAGGIO	CABLE BOX PLUG	COUVERCLE BOITER	1
44	33489251/0	MORSETTIERA	TERMINAL BOARD	BLOC DE RACCORDEMENT	1
46	19797017/0	TERMOSTATO DEPOSITO	BIN THERMOSTAT	THERMOSTAT CONTENEUR	1
47	19620107/0	RELÉ	RELAY	RELAIS	1



Pos. Nr.	Codice Code	Descrizione	Description	Description	Quantità Q.ty Q.té
1	25114006/0	BASAMENTO	BASE	CHASSIS	1
2M	19165497/0	COMPRESSORE GL45TB (R 134a)	COMPRESSOR (R 134a)	COMPRESSEUR (R 134a)	1
2N	19180464/0	CONDENSATORE DI SPUNTO (R 134a)	START CONDENSER (R 134a)	CONDENSATEUR DE DEMARRAGE (R 134a)	1
2O	19618001/0	RELÈ (R 134a)	RELAY (R 134a)	RELAIS (R 134a)	1
2P	19560131/0	PROTETTORE (R 134a)	PROTECTOR (R 134a)	PROTECTION (R 134a)	1
3	19864900/0	VALVOLINA DI CARICA	CHARGE VALVE	VANNE DE CHARGE	1
11	25690806/0	SCARICO H ₂ O MACCHINA	WATER DRAIN PIPE	ECOULEMENT D'EAU	1
18	19863033/0	VALVOLA GAS	GAS VALVE	VANNE DE GAZ	1
20	19300802/0	FILTRO DISIDRATATORE (R 134a)	DRIER (R 134a)	FILTRE DESHYDRATEUR (R 134a)	1
21	81407536/0	CONDENSATORE - R 134a	CONDENSER - R 134a	CONDENSATEUR - R 134a	1
29	81418216/0	ASS. TUBO RACCORDO H ₂ O	WATER TUBE ASS'Y H ₂ O	TUYAU RACCORD EAU	2
30	19550372/0	PRESSOSTATO PER VALVOLA ACQUA (R 134a)	PRESSURE CONTROL FOR WATER VALVE (R 134a)	PRESSOSTAT POUR VANNE EAU (R 134a)	1
32	81408422/0	ASS. SCAMBIATORE (R 134a)	EXCHANGER ASS'Y (R 134a)	ECHANGEUR (R 134a)	1
33	25726327/0	SUPPORTO ELETTRICO VALVOLA	ELECTROVALVE SUPPORT	SUPPORT ELECTRO VANNE	1
34	19865530/0	ELETTRIVALVOLA H ₂ O R 134a	ELECTRO VALVE H ₂ O R 134a	ELECTRO VANNE EAU R 134a	1
36	19810111/0	ASS. TUBO ENTRATA H ₂ O	WATE INLET TUBE ASS'Y	ASS. TUYAU ENTREE EAU	1
36A	19810114/0	TUBO SCARICO H ₂ O	DRAIN PIPE	TUYAU DE DECHARGE	1
37	25726326/0	SUPPORTO CABLAGGIO	CABLE SUPPORT	SUPPORT ELECTRIQUE	1
39	25690230/0	SCATOLA CABLAGGIO	CABLE BOX	BOITER ELECTRIQUE	1
40	25160705/0	COPERCHIO SCATOLA CABLAGGIO	CABLE BOX PLUG	COUVERCLE BOITER	1
44	33489251/0	MORSETTIERA	TERMINAL BOARD	BLOC DE RACCORDEMENT	1
46	19797017/0	TERMOSTATO DEPOSITATO	BIN THERMOSTAT	THERMOSTAT CONTENEUR	1
46A	19797023/0	TERMOSTATO DI SICUREZZA	SAFETY THERMOSTAT	THERMOSTAT DE SECURITE	1
47	19620107/0	RELÈ	RELAY	RELAIS	1
48	19350158/0	GUARNIZIONE	GAS KET	GARNITURE	2