

LAVASTOVIGLIE A CAPPOTTINA**HOOD-TYPE DISHWASHERS****ZHT / OHT / KHT / NHT / EHT**

Code	Type	Ref.	Pagina/ Page	Code	Type	Ref.	Pagina/ Page
PRESSIONE				ATMOSFERICA			
505046	EHT	a	2 3 5 6	505036	EHTAO	q	2 3 4 6
505047	EHT60	b	2 3 5 6	505048	EHTG	d	2 3 4 6
505049	EHTM	e	2 3 5 6	505054	EHTAROW	m	2 3 4 6
505050	EHTM60	f	2 3 5 6	505055	EHTAROW60	n	2 3 4 6
505051	NHT	h	2 3 5 6	505056	ZHTAROW	o	2 3 4 6
505052	NHTD	i	2 3 5 6	505057	ZHTAROW60	p	2 3 4 6
505053	NHT60	l	2 3 5 6	505058	EHTAJ	z	2 3 4 6
505063	KHT	c	2 3 5 6	505059	EHTAJ60	k	2 3 4 6
505064	NHTM	x	2 3 5 6	505060	EHTAO60	r	2 3 4 6
505065	NHTM60	y	2 3 5 6	505061	ZHTAO	s	2 3 4 6
505082	NHTP	a1	2 3 5 6	505062	ZHTAO60	t	2 3 4 6
				698047	OHTAROW	u	2 3 4 6
				698048	OHTAROW60	v	2 3 4 6
				698058	NHTDPDDG	a2	2 3 4 6
				698110	NHTG	g	2 3 4 6

Pagina/ Page**Indice/ index**

2	Vista generale / Main view
3	Componenti idraulici / Hydraulic components
4	Circuito idraulico atmosferico / Atmospheric plumbing circuit
5	Circuito idraulico a pressione / Pressurized plumbing circuit
6	Componenti elettrici / Electrical components
7 - 14	Lista ricambi / Spare parts list

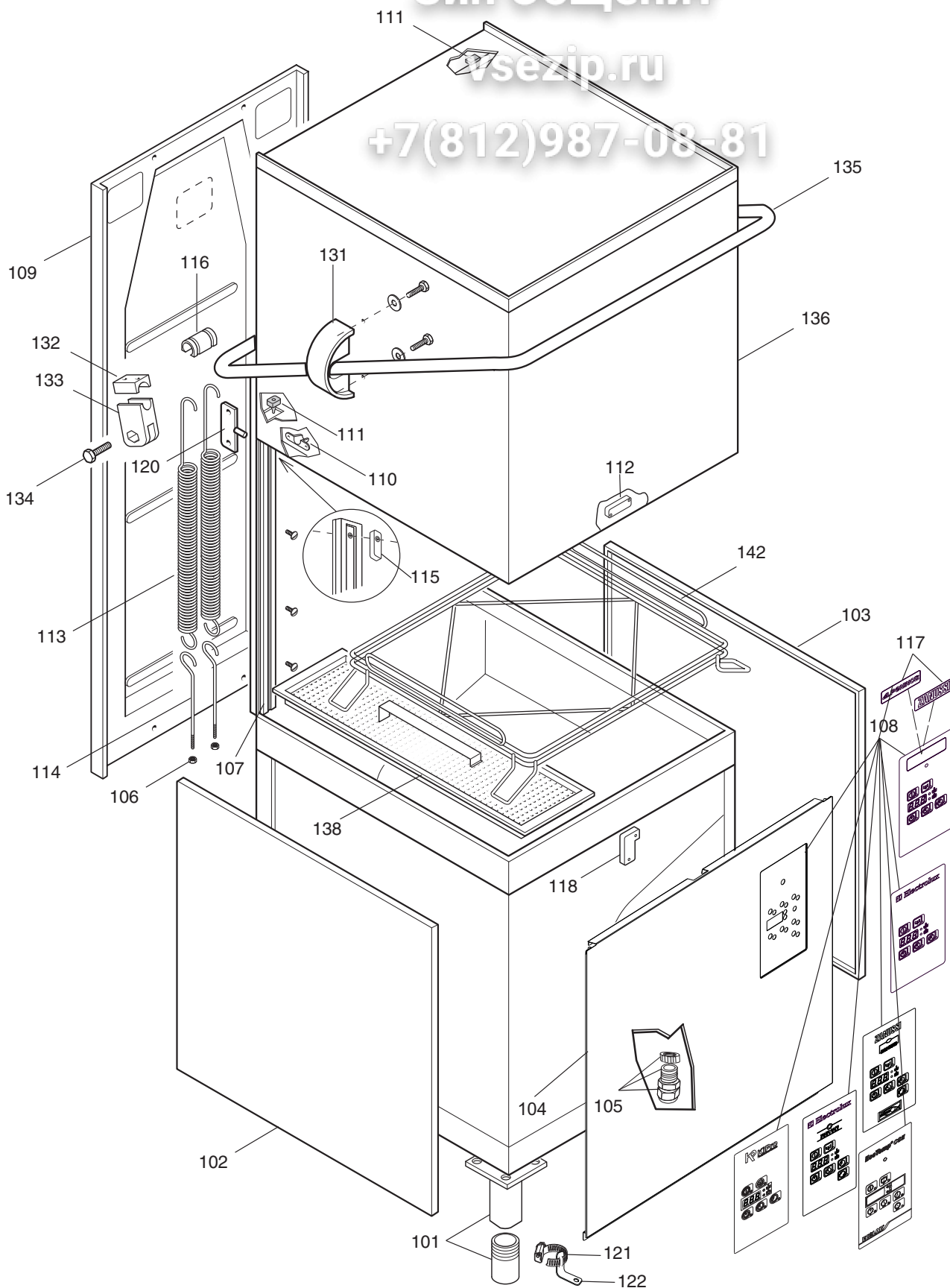
Marchio/ Brand: E**Paese/ Country: Tutti/ All**

Da Ser.Nr./From Ser.nr.: /839....

Page: 1

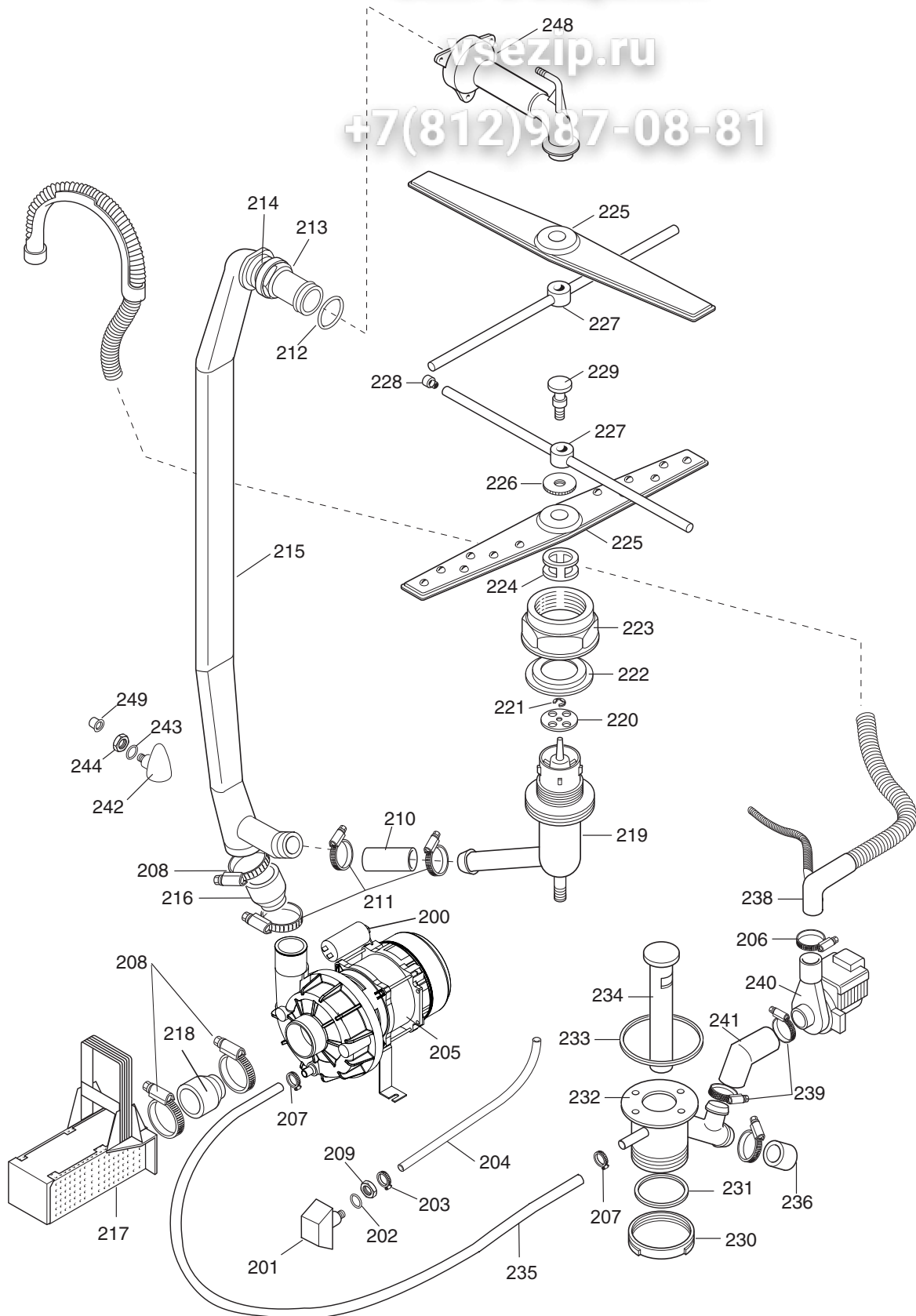
Ed.2013-11

Doc. Nr.: 595665P00



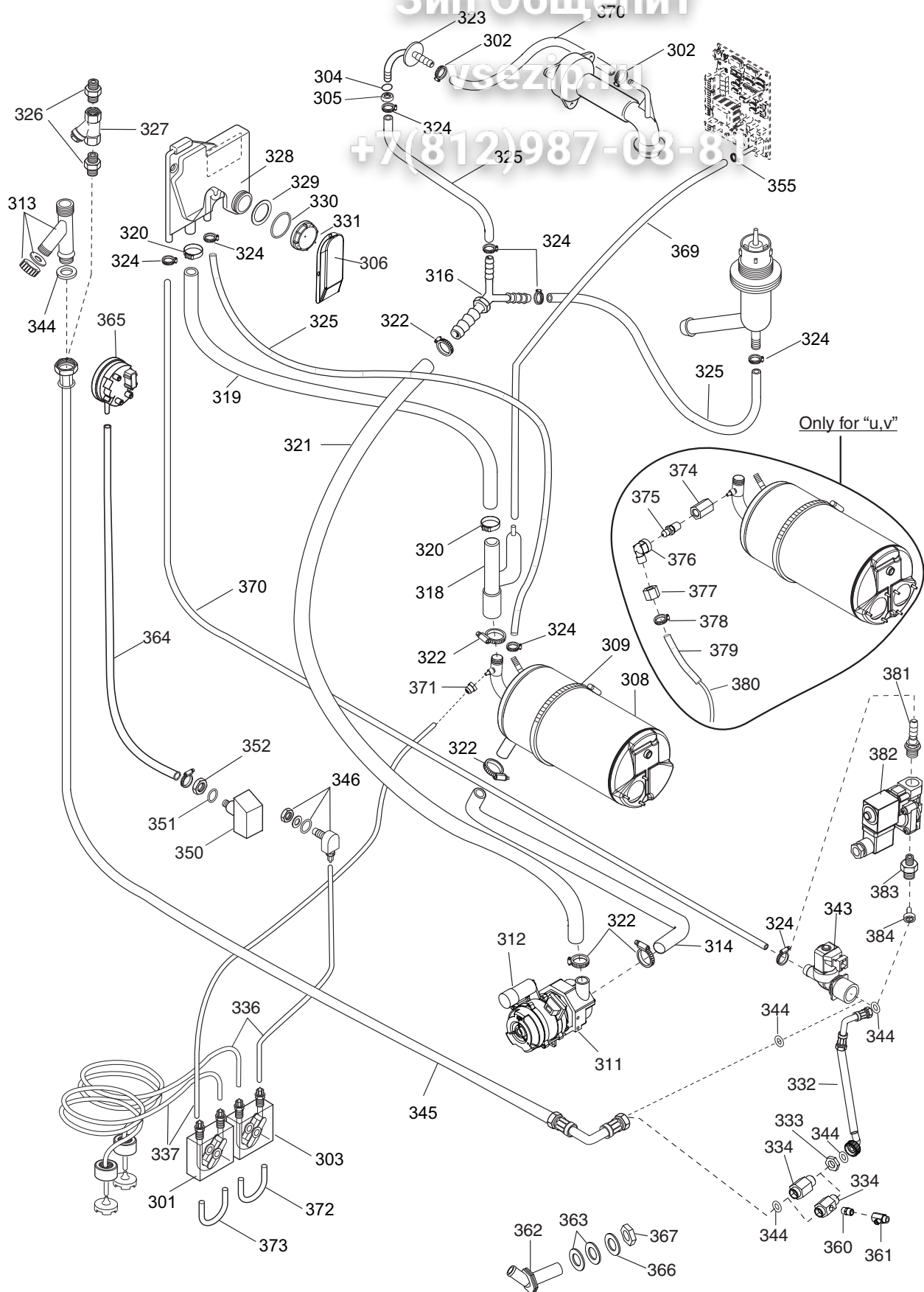
ill. 595665P00_p2

Vista generale / Main view

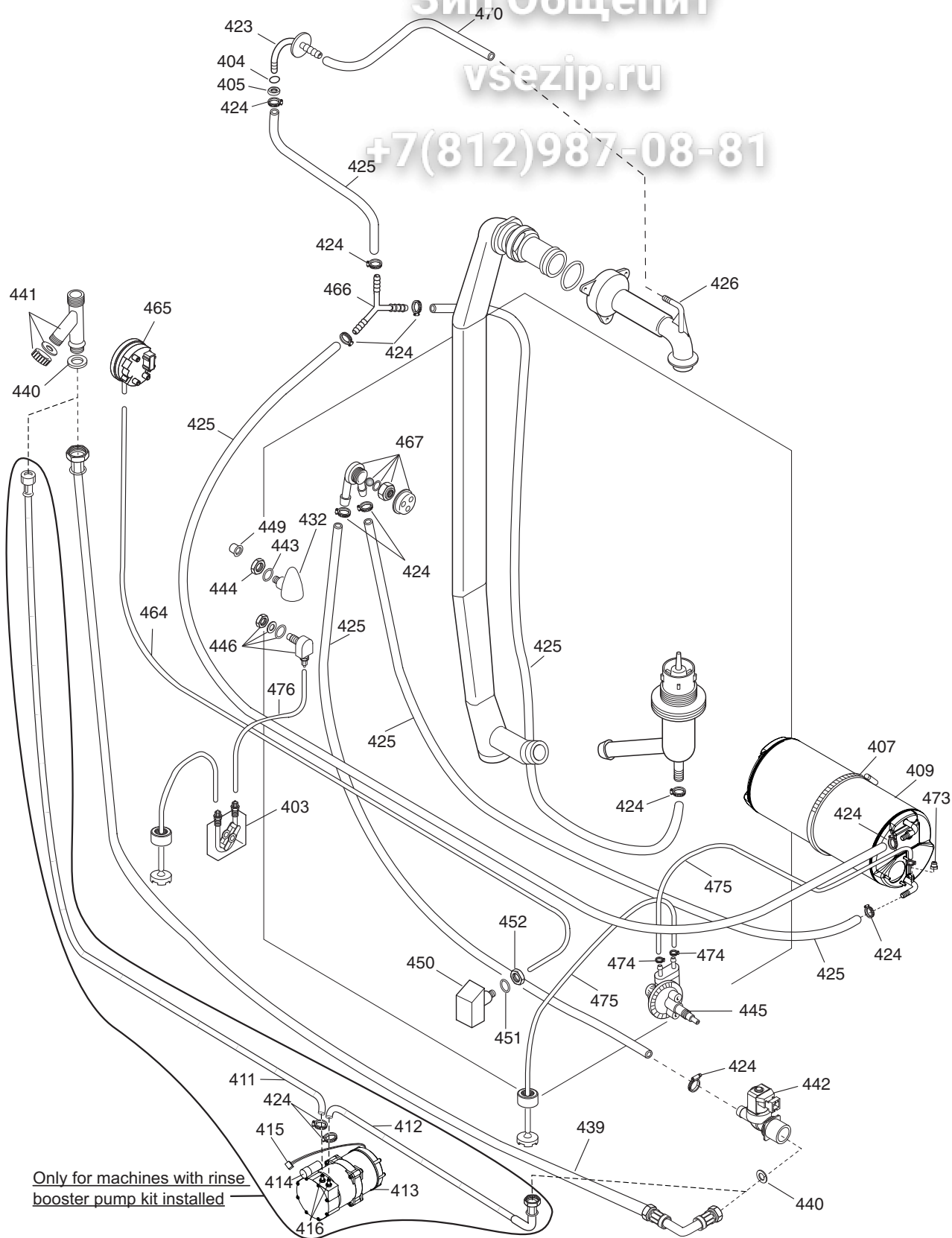


ill. 595665P00_p3

Componenti idraulici / Hydraulic components

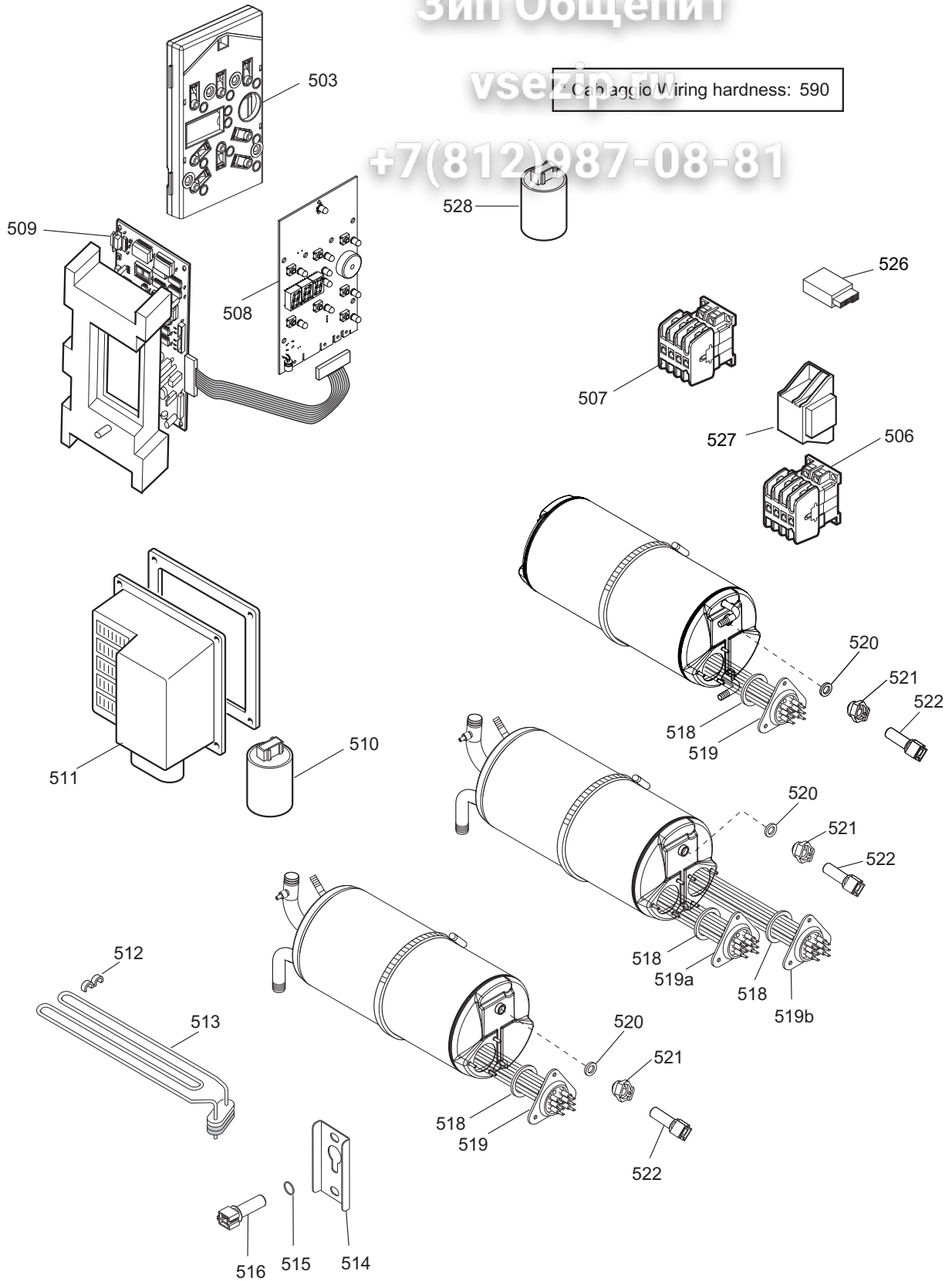


ill. 595665P00_p4
Circuito idraulico atmosferico / Atmospheric plumbing circuit



Only for machines with rinse booster pump kit installed

ill. 595665P00_p5
Circuito idraulico a pressione / Pressurized plumbing circuit



ill. 595665P00_p6
Componenti elettrici / Electrical components

LAVASTOVIGLIE CAPPOTTINA ZHT / OHT / KHT / NHT / EHT				G assetto = variazioni
HOOD TYPE DISHWASHER ZHT / OHT / KHT / NHT / EHT				Bold Print = changes
Pos.	Cod.ric. Part No.	Descrizione	Description	Note / Notes
		Pagina 2: Vista generale	Page 2: Main view	ill. 595665P00_p2
101	0L1452	Piede Marine	Marine foot	e,t,x,y
101	048579	Piede regolabile	Adjustable foot	Not for "e,f,x,y"
102	0L0062	Pannello laterale; dx	Side panel; right	
103	0L0063	Pannello laterale; sx	Side panel; left	
104	0L1700	Pannello frontale	Front panel	
105	048932	Passacavo	Inlet cable	
106	049761	Boccola guida tendimolla	Bush	
107	0L0084	Guida Cappotta	Hood Rail	
108	0L1674	Membrana Adesiva	Stick membrane	a,b,d,e,f
108	0L1673	Membrana Adesiva	Stick membrane	m,n,q,k,r,z
108	0L2137	Membrana Adesiva	Stick membrane	u,v
108	0L1676	Membrana Adesiva	Stick membrane	o,p,s,t
108	0L1680	Membrana Adesiva	Stick membrane	g,h,l,i,x,y,a1,a2
108	0L2143	Membrana Adesiva	Stick membrane	c
109	0L0066	Copertura posteriore	Back cover	a,b,c,e,f,h,l,i,x,y,a1
109	0L0164	Copertura posteriore	Back cover	d,g,m,n,o,p,q,r,s,t,k,z,a2
109	0L2138	Copertura posteriore	Back cover	u,v
110	049527	Gocciolatoio	Drip slide	
111	0L0090	Paracolpi	Shock absorber	
112	049627	Magnete grigio	Magnet	
113	0L0057	Molla cappotta	Hood spring	
114	049583	Tendimolla	Spring stretcher	
115	0L0099	Pattino di scorrimento	Slider	
116	049594	Supporto molla	Spring support	
117	0L1665	Adesivo Alpeninox	Sticker Alpeninox	g,h,l,i,a1,a2
117	0L1664	Adesivo Zanussi	Sticker Zanussi	g,h,l,i,a1,a2
118	0L1871	Sensore	Sensor	
120	0L0059	Blocco fine corsa	Lock	
121	0L2463	Fascetta 50-70	Hose clamp 50-70	From Ser. Nr.: 103
122	0L2464	Squadretta di fissaggio	Floor fixing bracket	From Ser. Nr.: 103
131	0L0058	Guida maniglione	Guide; handle	
132	0L0055	Parte superiore supporto	Support upper part	
133	0L0056	Parte inferiore supporto	Support lower part	
134	0L0091	Vite	Screw	
135	0L0054	Maniglione	Handle	
136	0L0053	Cappotta	Hood	
138	0L0069	Filtro vasca	Tank filter	
142	049629	Guida cesto; compl.	Guide; compl.	
		Pagina 3: Componenti idraulici	Page 3: Hydraulic components	ill. 595665P00_p3
200	0A2914	Condensatore	Capacitor	16 µF
201	048308	Trappola d'aria	Air trap	

LAVASTOVIGLIE CAPPOTTINA ZHT / OHT / KHT / NHT / EHT HOOD TYPE DISHWASHER ZHT / OHT / KHT / NHT / EHT				G assetto = variazioni Bold Print = changes
Pos.	Cod.ric. Part No.	Descrizione	Description	Note / Notes
202	068642	OR 3062	O Ring 3062	
203	046946	Fascetta 8-12/7,5	Hose clamp 8-12/7,5	
204	048883	Tubo 5x12	Hose 5x12	Up to Ser. nr.: 006
204	049904	Tubo	Hose	From Ser. nr.: 007
205	0L0600	Pompa Lavaggio	Wash pump	f,y - 60Hz
205	0L0564	Pompa Lavaggio	Wash pump	e,x - 50 Hz
205	0L1914	Pompa Lavaggio	Wash pump	a,c,d,g,h,i,m,o,q,s,u,a1,a2 - 50 Hz
205	0L1915	Pompa lavaggio	Wash Pump	b,l,n,p,r,t,v - 60Hz
205	0L2231	Pompa Lavaggio	Wash pump	z - 50 Hz
205	0L2232	Pompa Lavaggio	Wash pump	k - 60 Hz
206	047578	Fascetta 25-40	Hose clamp 25-40	
207	048126	Fascetta 12x22/9	Clamp 12x22/9	Not for "e,f,x,y"
208	046853	Fascetta 60-80	Clamp 60-80	
209	049268	Dado; M 14x1,5	Nut; M 14x1,5	
210	0L0612	Manicotto	Hose	
211	0L0193	Fascetta 40-60	Hose clamp 40-60	
212	0L0185	O Ring	O Ring	
213	0L0557	Ghiera	Ring nut	
214	049593	O Ring 5,34x72,39	O Ring 5,34x72,39	
215	0L0556	Tubo collegamento getti	Pipe; jets connection	
216	0L0068	Manicotto	Hose	
217	049810	Ass. filtro aspirazione	Suction filter	
218	0L0067	Manicotto	Hose	
219	048235	Supporto getti inferiore	Jets support; upper	
220	048820	Parzializzatore	Flow reducer	
221	048979	Anello seger	C-Clamp	
222	048236	Guarnizione	Gasket	
223	048237	Ghiera	Ring nut	
224	048401	Mozzo	Hub	
225	0L0598	Ass.getto lavaggio	Washing arm assembly	
226	048632	Rondella di fermo	Lock washer	
227	048716	Getto risciacquo	Rinse jet	m,n,o,p,q,r,s,t Up to Ser. Nr.: 950
227	0L2095	Getto risciacquo	Rinse jet	m,n,o,p,q,r,s,t From Ser. Nr.: 951
227	0L2095	Getto risciacquo	Rinse jet	k,u,v,z
227	048716	Getto risciacquo	Rinse jet	a,b,c,d,e,f,g,h,i,l,x,y,a1,a2 Up to Ser. Nr.: 936
227	0L2095	Getto risciacquo	Rinse jet	a,b,c,d,e,f,g,h,i,l,x,y,a1,a2 From Ser. Nr.: 937
228	048714	Tappo	Plug	a,b,c,d,e,f,g,h,i,l,x,y,a1,a2 Up to Ser. Nr.: 936
228	048714	Tappo	Plug	m,n,o,p,q,r,s,t Up to ser.: 918
228	0L2054	Tappo	Plug	m,n,o,p,q,r,s,t - From ser.: 919 Up to Ser. Nr.: 950

LAVASTOVIGLIE CAPPOTTINA ZHT / OHT / KHT / NHT / EHT HOOD TYPE DISHWASHER ZHT / OHT / KHT / NHT / EHT				G assetto = variazioni Bold Print = changes
Pos.	Cod.ric. Part No.	Descrizione	Description	Note / Notes
229	048290	Perno; per getti risciacquo	Pin; for rinse jets	
230	048231	Tappo	Plug	
231	048230	Guarnizione	Gasket	
232	049600	Supporto scarico	Support; drain	Not for "e,f,x,y"
232	0L0081	Supporto scarico	Support; drain	e,f,x,y
233	048229	Guarnizione	Gasket	
234	049140	Tubo troppo pieno	Overflow pipe	d,g,a2
234	048250	Tubo troppo pieno	Overflow pipe	a,b,c,e,f,h,i,m,n,o,p,q,k,r,s,t,u,v,z ,x,y,a1
235	048531	Tubo 11,5x19.5 mm	Huse 11,5x19.5 mm	L=540 mm - Not for "e,f,x,y"
236	047555	Tappo	Plug	d,g,a2
238	049831	Tubo pompa di scarico	Dain pump pipe	d,g,a2
239	046878	Fascetta 35-50	Hose clamp 35-50	d,g,a2
240	0L0994	Pompa di scarico	Dain pump	d,g,a2
241	048328	Manicotto	Hose	d,g,a2
242	048853	Nasello per vasca	Spigot for tank	
243	068642	OR 3062	O Ring 3062	
244	049268	Dado; M 14x1,5	Nut; M 14x1,5	
248	0L0051	Supporto getti superiore	Jets support; upper	
249	049849	Tappo	Plug	
		Pagina 4: Circuito idraulico atmosferico	Page 4: Atmospheric plumbing circuit	ill. 595665P00_p4 (not for "a,b,c,e,f,h,i,x,y,a1")
301	0L0697	Pompa perist. Brillantante	Pump; rinse aid	Not for "m,n,o,p,q,k,r,s,t,u,v,z"
301	0L2134	Pompa perist. Brillantante	Pump; rinse aid	k,z
302	049888	Fascetta	Hose clamp	
303	0L0696	Pompa perist. Detergente	Pump; detergent	Not for "m,n,o,p,q,k,r,s,t,u,v,z"
304	046799	O Ring	O Ring	
305	049436	Dado; M20x1,5	Nut; M20x1,5	
306	0L2560	Protezione ghiera	Guard ring nut	
308	0L1928	Boiler	Boiler	Not for "m,n,o,p,q,r,s,t,u,v"
308	0L1951	Boiler	Boiler	m,n,o,p,u,v
308	0L2127	Boiler	Boiler	q,r,s,t
309	0TH122	Fascetta 200-220/12	Hose clamp 200-220/12	
311	0L1079	Pompa risciacquo	Rinse pump	Not for z - 50Hz
311	0L1100	Pompa risciacquo	Rinse pump	Not for k - 60Hz
311	0L1102	Pompa risciacquo	Rinse pump	z - 50Hz
311	0L1099	Pompa risciacquo	Rinse pump	k - 60Hz
312	083406	Condensatore per pompa risc.	Rinse pump capacitor	5.0 µF
313	048746	Filtro	Filter	
314	049599	Tubo	Hose	
316	0L0365	Raccordo 3 vie; D 27-12	Connection 3 ways; D 27-12	
318	049628	Trappola D'aria; boiler	Air trap; boyler	
319	049287	Tubo EPDM 25.5x32	Hose; diam 25	

LAVASTOVIGLIE CAPPOTTINA ZHT / OHT / KHT / NHT / EHT				G assetto = variazioni
HOOD TYPE DISHWASHER ZHT / OHT / KHT / NHT / EHT				Bold Print = changes
Pos.	Cod.ric. Part No.	Descrizione	Description	Note / Notes
320	0L0367	Fascetta Cobra	Hose clamp	
321	049773	Tubo 26x37	Hose	
322	047578	Fascetta 25-40	Hose clamp 25-40	
323	0L0052	Raccordo portagomma	Connection	
324	048126	Fascetta a vite 12 -22	Hose clamp 12 -22	
325	048531	Tubo EPDM 12x19.5	Hose	
326	072457	Nipplo ottone 3/4" - 3/4"	Brass nipple 3/4" - 3/4"	k,z
327	068121	Ass.filtro 3/4 G	Filter	k,z
328	049481	Air Gap aperto	Open air gap	Not for "m,n,o,p,q,k,r,s,t,u,v,z" Up to Ser. Nr.: 102
328	0L2435	Air Gap aperto	Open air gap	Not for "m,n,o,p,q,k,r,s,t,u,v,z" From Ser. Nr.: 103
328	049459	Air Gap chiuso	Close air gap	m,n,o,p,q,k,r,s,t,u,v,z
329	049828	Guarnizione per AG	Gasket for AG	
330	049460	OR per Ghiera AG	O Ring	
331	049480	Ghiera per A.G.	Ring nut	
332	0L2053	Tubo di alimentazione	Feed hose	m,n,o,p,q,k,r,s,t,u,v,z
333	0E5056	Ghiera	Ring nut	m,n,o,p,q,k,r,s,t,u,v,z
334	0L2051	Raccordo	Connection	m,n,o,p,q,k,r,s,t,u,v,z
334	0L1084	Raccordo	Connection	u,v
336	049905	Tubo detergente	Detergent pipe	
337	0L0481	Tubo brillantante	Rinse aid pipe	
343	0L0567	Elettrovalvola, 5,5 l/min	El.valve; 5,5 l/min	Not for "k,z"
344	0L1945	Guarnizione	Gasket; diam 3/4	
345	0L1887	Tubo di alimentazione	Feed hose	
346	049801	Iniettore detersivo, acciaio	Injection spigot. steel	Not for "m,n,o,p,q,k,r,s,t,u,v,z"
350	048308	Trappola d'aria	Air trap	
351	068642	O Ring	O Ring	
352	049268	Dado; M14x1,5	Nut; M14x1,5	
355	0L0082	Fascetta elastica	Hose clamp	
356	049436	Dado; M20X1,5	Nut; M20X1,5	u,v
360	049474	Nipplo 3/8" - 3/8"	Niple 3/8" - 3/8"	u,v
361	0L1089	Raccordo a "T" 3/8 G	T connection 3/8 G	u,v
362	0L1085	Iniettore detergente solido	Solid detergent injection	u,v
363	0L1088	Rondella in gomma	Rubber washer	u,v
364	048883	Tubo 5x12	Hose 5x12	Up to Ser. nr.: 006
364	049904	Tubo	Hose	From Ser. nr.: 007
365	049620	Pressostato	Pressure switch	
366	0L1087	Rondella in acciaio	Steel washer	u,v
367	0L1086	Dado 1/2" G	Nut 1/2" G	u,v
369	072393	Tubo EPDM 4x7.4	Hose	
370	049379	Tubo gom. 11.5X19.5 WRC	Hose; WRC	
371	0L0349	Assieme tappo	Plug assembly	Not for "m,n,o,p,q,r,s,t,u,v"
371	0L2071	Assieme tappo	Plug assembly	m,n,o,p,q,r,s,t,u,v
372	049419	Tubo; interno, pompa det.	Hose; internal, det. Pump	

LAVASTOVIGLIE CAPPOTTINA ZHT / OHT / KHT / NHT / EHT				G assetto = variazioni
HOOD TYPE DISHWASHER ZHT / OHT / KHT / NHT / EHT				Bold Print = changes
Pos.	Cod.ric. Part No.	Descrizione	Description	Note / Notes
373	049418	Tubo; interno, pompa brill.	Hose;internal, rin. aid pump	
374	0L1075	Raccordo boiler	Boiler connection	u,v
375	0L1071	Valvola di non ritorno	No back-flow valve	u,v
376	0L1072	Raccordo	Nut	u,v
377	0L1073	Ghiera	Ring nut	u,v
378	048126	Fascetta 12x22/9	Clamp 12x22/9	u,v
379	0L1970	Tubo; 6X12, L=2900 MM	Hose; 6x12, L=2900 MM	u,v
380	0L1074	Tubo; 1/8"X0.75 L=3000 MM	Hose; 1/8"X0.75 L=3000 MM	u,v
381	0L0477	Portagomma	Fitting	k,z
382	0L0570	Elettrovalvola	Electric valve	k,z
383	0L0479	Nipplo ottone 3/4"- 3/8"	Brass nipple 3/4"- 3/8"	k,z
384	0L0170	Parzializzatore; 5,5L/min	Flow reducer; 5,5L/min	k,z
		Pagina 5: Circuito idraulico a pressione	Page 5: Pressurized plumbing circuit	ill. 595665P00_p5 only for "a,b,c,e,f,h,l,i,x,y,a1"
403	0L0696	Pompa detergente	Detergent pump	i
404	046799	O Ring	O Ring	
405	049436	Dado; M20x1,5	Nut; M20x1,5	
407	0TH122	Fascetta 200-220/12	Hose clamp 200-220/12	
409	0L1908	Boiler	Boiler	Up to Ser. nr.: 017
409	0L0284	Boiler	Boiler	From Ser. nr.: 018
411	0L2394	Tubo ingresso acqua	Water inlet pipe	<u>Rinse booster pump kit</u>
412	0L2389	Tubo uscita pompa	Pump outlet pipe	<u>Rinse booster pump kit</u>
413	0L2391	Pompa + condensatore	Pump + capacitor	<u>Rinse booster pump kit</u>
414	049126	Condensatore	Capacitor	8 µF - <u>Rinse booster pump kit</u>
415	0L2392	Cavetto di terra	Ground cable	<u>Rinse booster pump kit</u>
416	0L2393	Portagomma G 3/8" M	Fitting G 3/8" M	<u>Rinse booster pump kit</u>
	0L2390	(Pompa + condensatore) + cavetto di terra + portagomma	(Pump + capacitor) + ground cable + fitting	(pos. 413 + pos. 415 + pos. 416) <u>Rinse booster pump kit</u>
423	0L0052	Raccordo portagomma	Connection	
424	048126	Fascetta a vite 12 -22	Hose clamp 12 -22	
425	048531	Tubo EPDM 12x19.5	Hose	
426	0L0051	Supporto getti superiore	Jets support; upper	
432	048853	Nasello per vasca	Spigot for tank	
439	0L1887	Tubo di alimentazione	Feed hose	
440	0L1945	Guarnizione	Gasket; diam 3/4	
441	048834	Filtro	Filter	
442	0L0566	Elettrovalvola, 20 l/min	El.valve; 20 l/min	
443	068642	OR 3062	O Ring 3062	
444	049268	Dado; M 14x1,5	Nut; M 14x1,5	
445	0L0094	Dosatore idraulico	Dispenser; for rinse aid	
446	049801	Iniettore detergente	Iniection spigot	i
449	049849	Tappo	Plug	
450	048308	Trappola d'aria per pressost.	Air trap	

LAVASTOVIGLIE CAPPOTTINA ZHT / OHT / KHT / NHT / EHT HOOD TYPE DISHWASHER ZHT / OHT / KHT / NHT / EHT				Gassetto = variazioni Bold Print = changes
Pos.	Cod.ric. Part No.	Descrizione	Description	Note / Notes
451	068642	OR 2062x15.54	O Ring	
452	049268	Dado M14x1.5	Nut: M14x1.5	
464	048883	Tubo 5x12	Hose 5x12	Up to Ser. nr.: 006
464	049904	Tubo	Hose	From Ser. nr.: 007
465	049620	Pressostato	Pressure switch	
466	048195	Raccordo 3 vie	Connection 3 way; diam 12	
467	0L1892	Valvola DVGW	Solenoid valve	
470	049379	Tubo gom. 11.5X19.5 WRC	Hose; WRC	
473	0L0349	Tappo	Plug	
474	046946	Fasc. Torro W2 8-12/7,5 IVP	Hose clamp 8-12	
475	0L0481	Tubo brillantante 5X12	Hose; 5x12	
476	049905	Tubo detergente 5X12	Hose; 5x12	
		Pagina 6: Componenti elettrici	Page 6: Electrical components	ill. 595665P00_p6
503	0L1568	Copertura interfaccia utente	User interface cover	
506	0L0354	Contattore 230V-50Hz	Contactor; 230V-50Hz	u
506	0L0679	Contattore 200V-60Hz	Contactor; 200V-60Hz	v
507	0L0285	Contattore 230V-50Hz	Contactor; 230V-50Hz	a,c,d,e,g,h,x,a1,a2
507	006879	Contattore 230V-50Hz	Contactor; 230V-50Hz	m,o,q,s,v
507	0L2057	Contattore 220V-60Hz	Contactor; 220V-60Hz	n,p,r,t,u
507	0L0286	Contattore 230V-60Hz	Contactor; 230V-60Hz	b,f,l,y - 60 Hz
507	0L0430	Contattore; 200V-50/60Hz	Contactor; 200V-50/60Hz	k,z
508	0L1566	Interfaccia utente	User Interface	Not for "m,n,o,p,q,k,r,s,t,u,v,z" Up to Ser. Nr.: 022
508	0L1973	Interfaccia utente	User Interface	Not for "m,n,o,p,q,k,r,s,t,u,v,z" From Ser. Nr.: 023
508	0L1973	Interfaccia utente	User Interface	m,n,o,p,q,k,r,s,t,u,v,z
509	0L2582	Scheda madre	Main board	a,b,c,e,f,h,i,l,x,y,a1
509	0L2583	Scheda madre	Main board	d,g,k,m,n,o,p,q,r,s,t,u,v,z,a2
510	049303	Filtro RFI trifase	RFI filter; three phase	d,f,k,x,y,z
510	049303	Filtro RFI trifase	RFI filter; three phase	Not for "d,f,k,x,y,z" Up to Ser. Nr.: 213
511	0L0111	Morsettiera Princ.	Junction box	
512	048429	Fissaggio Res. Vasca	Bracket	
513	048924	Res. Vasca 2.2 kW-230V	Heating element; 2.2 kW-230V	Not for "e,f,m,n,o,p,q,k,r,s,t, u,z,x,y" - Up to Ser. Nr.: 022
513	0L2340	Res. Vasca 2.2 kW-230V	Heating element; 2.2 kW-230V	Not for "e,f,m,n,o,p,q,k,r,s,t, u,z,x,y" - From Ser. Nr.: 023
513	0L1974	Res. Vasca 3.0 kW-230V	Heating element; 3.0 kW-230V	m,n,o,p,q,r,s,t,u,v
513	048990	Res. Vasca 2.2 kW-400V	Heating element; 2.2 kW-400V	e,x
513	048998	Res. Vasca 2.2 kW-440V	Heating element; 2.2 kW-440V	f,y
513	0L2234	Res. Vasca 3.0 kW-200V	Heating element; 3.0 kW-200V	k,z
514	0L0366	Supporto sensore temp.	Support; sensor	
515	0L2303	OR 2037	O Ring	
516	049643	Sensore NTC	Sensor	

LAVASTOVIGLIE CAPPOTTINA ZHT / OHT / KHT / NHT / EHT HOOD TYPE DISHWASHER ZHT / OHT / KHT / NHT / EHT				G assetto = variazioni Bold Print = changes
Pos.	Cod.ric. Part No.	Descrizione	Description	Note / Notes
518	0E5037	OR 56,52x5,33	O Ring 56,52x5,33	
519	0L2653	Resistenza boiler 9 kW 230V	Boiler heating element 9 kW 230v	a,b,c,e,h,i,d,g,x,a1,a2
519	0L2233	Resistenza boiler 9 kW 200V	Boiler heating element 9 kW 200V	k,z
519a	0L1006	Resistenza boiler dx 6 kW 230V	Right boiler heating element 6 kW 230V	m,n,o,p,q,r,s,t,u,v
519b	0L1005	Resistenza boiler sx 6 kW 230V	Left boiler heating element 6 kW 230V	m,n,o,p,q,r,s,t,u,v
519	0L0601	Resistenza boiler 9 kW 254V	Boiler heating element 9 kW 254V	f,y - Up to Ser. Nr.: 102
519	0L2767	Resistenza boiler 9 kW 254V	Boiler heating element 9 kW 254V	f,y - From Ser. Nr.: 103
520	0L2303	OR 2037	O Ring	a,b,c,h,i,d,g,k,z,a1,a2
521	0L0280	Premistoppa	Stuffing box	a,b,c,h,i,d,g,k,z,a1,a2
522	049643	Sonda di Temperatura	Temp. sound	a,b,c,h,i,d,g,k,z,a1,a2
526	048888	Rele; 230V,2 cont, passo 5	Relay; 230V,2 cont, passo 5	e,f,x,y
527	049883	Trasformatore	Transformer	e,f,x,y
528	049901	Filtro induttivo	Filter	a,c,d,e,b,f,g,h,i,k,z,x,y,a1,a2
590	0L2487	Cablaggio	Wiring harness	Not for "e,f,m,n,o,p,q,k,r,s,t,u,v,z,x,y"
590	0L1975	Cablaggio	Wiring harness	m,n,o,p,q,r,s,t
590	0L2139	Cablaggio	Wiring harness	u,v
590	0L2488	Cablaggio (versione marine)	Wiring harness (marine version)	e,f,x,y
590	0L2230	Cablaggio	Wiring harness	k,z

LAVASTOVIGLIE CAPPOTTINA ZHT / OHT / KHT / NHT / EHT HOOD TYPE DISHWASHER ZHT / OHT / KHT / NHT / EHT		Grassetto = variazioni Bold Print = changes	
Pos.	Cod.ric. Part No.	Descrizione	Description Note / Notes

+7(812)987-08-81