

CATALOGO RICAMBI
SPARE PARTS
PIECES DETACHEES
ERSATZTEILE
LISTA DE RECAMBIOS

Зип Общепит

vsezip.ru

+7(812)987-08-81



Lavastoviglie
Lavevaisselle
Geschirrspüler
Dishwashers
Lavavajillas

C/SP-CR/SPR

C D/SP D

CR D/SPR D

Ed. 03.99
Rev. 2001

Зип Общепит

vsezip.ru

+7(812)987-08-81



| | |
|------|---|
| Ed. | 0 |
| Rev. | 2 |
| Data | |

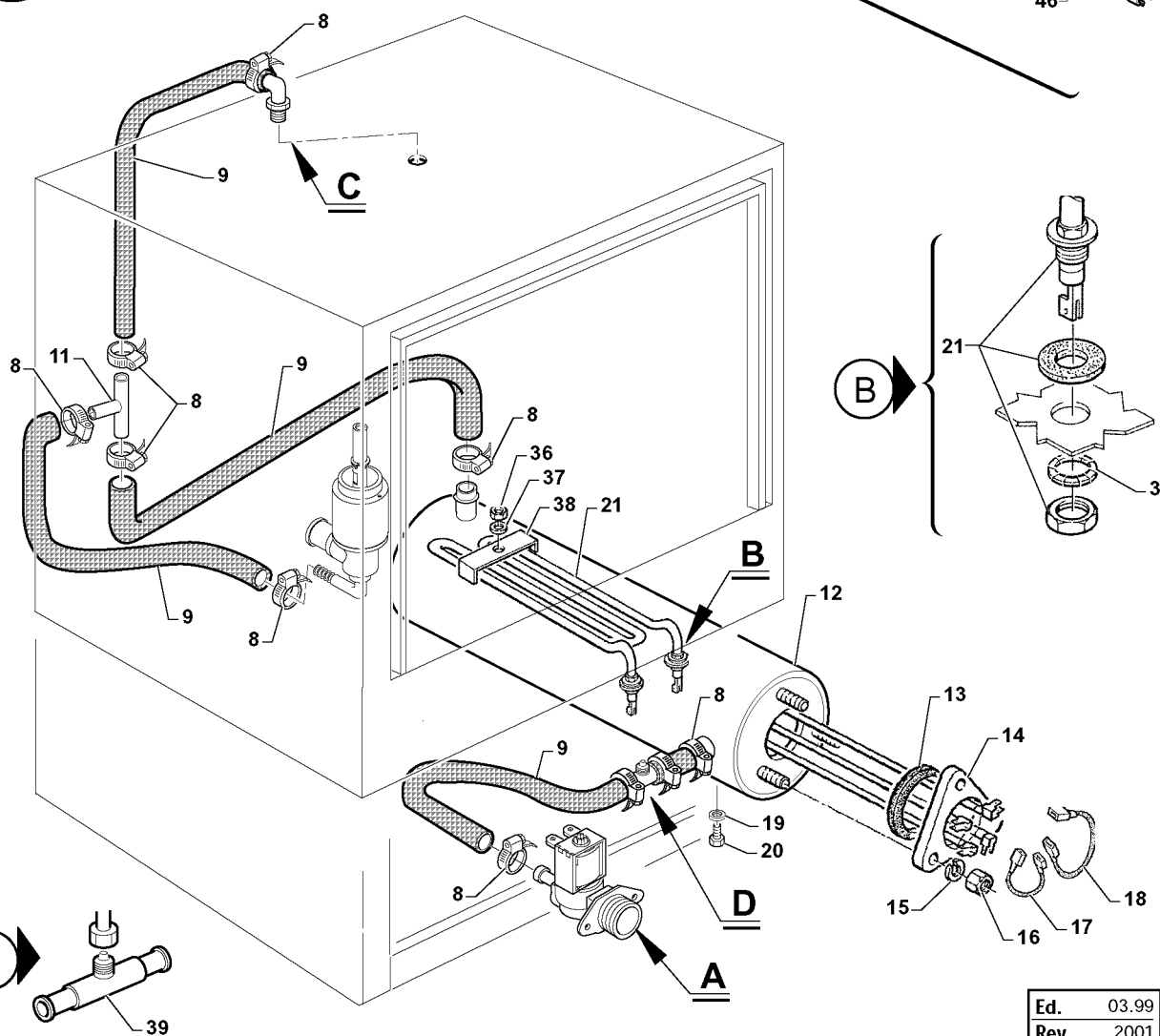
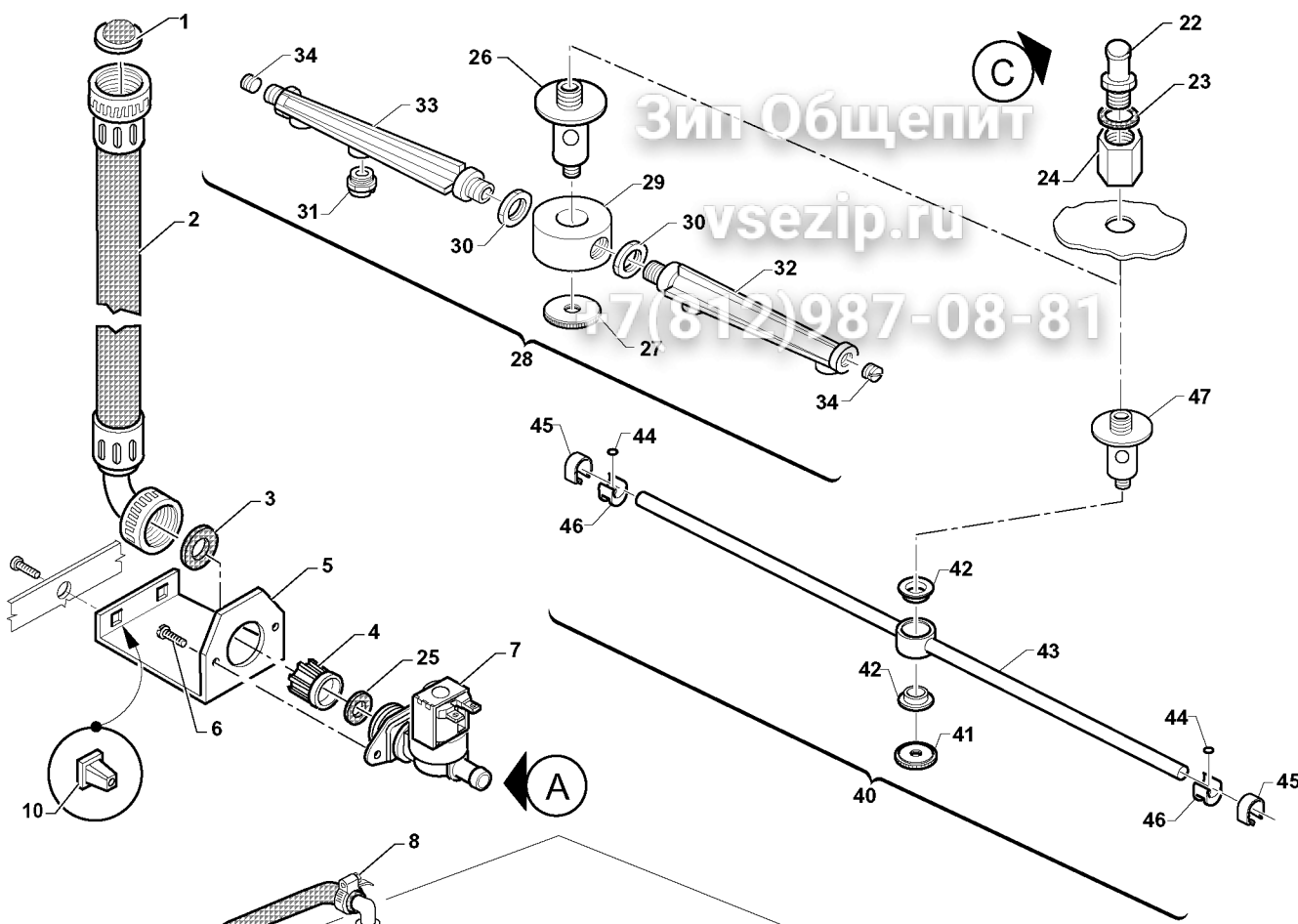
Зип Ощепит

vsezip.ru

+7(812)987-08-81



| |
|------|
| Ed. |
| Rev. |
| Data |



| | |
|------|-------|
| Ed. | 03.99 |
| Rev. | 2001 |
| Data | |

Зип Общепит
vsezip.ru
+7(812)987-08-81

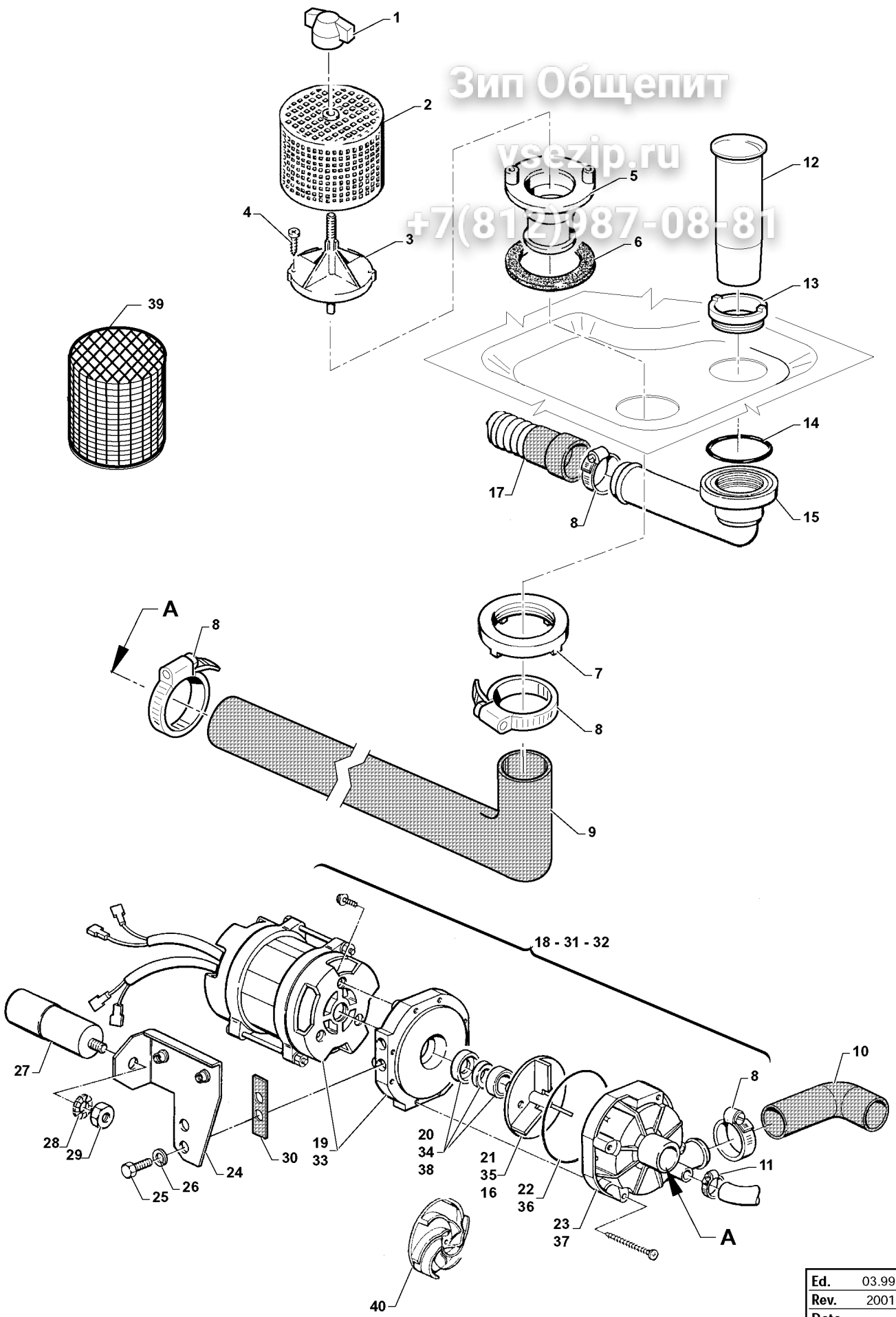


| | |
|------|-------|
| Ed. | 03.99 |
| Rev. | 2001 |
| Data | |

Зип Ощепит

vsezip.ru

+7(812)987-08-81



| | |
|------|-------|
| Ed. | 03.99 |
| Rev. | 2001 |
| Data | |



| | |
|------|-------|
| Ed. | 03.99 |
| Rev. | 2001 |
| Data | |

| Seite | Pos | Kredtor Artikel Nr. | IT | GB |
|-------|-----|---------------------|--------------------------------|--|
| 002 | 001 | 18927 | GUIDA CEST.SX STS-APS 43 BRILL | GUIDE RACK SX STS-APS 43 RIN.AID |
| 002 | 002 | 18926 | GUIDA CEST.DX STS-APS 43 BRILL | GUIDE RACK DX STS-APS 43 RIN. AID |
| 002 | 003 | 26751 | VITE 1/2 TONDA TC 6 X 12 | SCREW 1/2 FLAT ROUND HD 6 X 12 |
| 002 | 004 | 18069 | FERMO BRACCETTO PORTELLO | STOPPER DOOR STAY |
| 002 | 005 | 28699 | VITE TC 4 X 10 | CHEESE-HD SCREW TC 4 X 10 |
| 002 | 006 | 18934 | BRACCETTO PORTELLO SX 43/53 | DOOR STAY SX 43/53 |
| 002 | 007 | 18935 | BRACCETTO PORTELLO DX 43/53 | DOOR STAY DX 43/53 |
| 002 | 008 | 18342 | BOCCOLA SNODO BRACCETTI | BUSH FOR DOOR HINGE |
| 002 | 009 | 30007 | GOMMINO BRACCETTO PORTELLO | RUBBER FOR DOOR STAY |
| 002 | 010 | 18145 | FERMA CESTELLO MM.25 | RACK STOPPER MM.25 |
| 002 | 011 | 22162/R | PORTELLO TAMB. 43 L400xH313 | DOOR ASSEMBLY CPL 43 L400xH313 |
| 002 | 012 | 33335 | PANNELLO CONTR.STS/APS/C 35-43 | INNER DOOR PANEL STS/APS/C 35-43 |
| 002 | 013 | 18898 | PORTELLO STS/APS/C 35-43 | DOOR STS/APS/C 35-43 |
| 002 | 014 | 33277 | VITE AUTOF. TSP 2,9 X 9,5 | SELF-TAPPING SCREW TSP 2,9 X 9,5 |
| 002 | 015 | 32969 | MAGNETE X CONTATTO M350 AP | MAGNET FOR CONTACT M350 AP |
| 002 | 016 | 15995 | BUSSOLA FISS. MANIGLIA STS | BUSH SPRING FIX. HANDLE STS |
| 002 | 017 | 18348 | MANIGLIA X PORT. STS/APS/C 43 | HANDLE FOR DOOR STS/APS/C 43 |
| 002 | 018 | 25708 | VITE TE M 5 X 10 INOX | SCREW HEX.HD M 5 X 10 SS |
| 002 | 019 | 26691 | VITE TS M 4 X 8 | SCREW TS M 4 X 8 |
| 002 | 020 | 33336 | SCROCCHETTO A ROTELLA | ROLLER DOOR LATCH |
| 002 | 021 | 25293 | TAPPINO IN GOMMA DIAM. 10 | PLUG RUBBER DIAM. 10 |
| 002 | 022 | 25700 | VITE TC 4 X 8 CON ZIGRINATURA | SCREW CHEESE-H. 4 X 8 KNURLED |
| 002 | 023 | 33179 | DADO IN GABBIETTA 4MA | ENCLOSED NUT 4MA |
| 002 | 024 | 29594 | DADO CIECO 4 MA | NUT BLIND 4 MA |
| 002 | 025 | 30438 | MOLLA X PERNO E PORTA | SPRING FOR PIN AND DOOR |
| 002 | 026 | 15568 | PERNO MOBILE X PORTELLO | MOBILE DOWEL FOR DOOR |
| 002 | 027 | 25744 | RONDELLA PIANA DIAM.5 | SPACER, FLAT, DIAM.5 |
| 002 | 028 | 25990 | VITE TC 5X9 SPEC.X SNODO BR.P. | FLAT HD SCREW 5X9 SPEC. FOR ARM TOGGLE |
| 002 | 029 | 25209 | PIEDINI BASE ESAGONALE | FEET, HEXAG. BASE |
| 002 | 030 | 33749 | FISSACAVO PA 277 | CABLE CLAMP PA 277 |
| 002 | 031 | 25032 | TAPPO DI CHIUSURA | CATCH PLUG |
| 002 | 032 | 25245 | GUARNIZIONE OR 3281 | GASKET OR 3281 |
| 002 | 033 | 25008 | GHIERA CHIUSURA TAPPO VASCA | LOCK. NUT FOR TANK PLUG |
| 002 | 034 | 26966 | TAPPO CHIUSURA FORO 10 DET. | HOLE CLOSING PLUG |
| 002 | 035 | 25266 | GUARNIZIONE PIATTA 18 X 10 X 2 | FLAT GASKET 18 X 10 X 2 |
| 002 | 036 | 27155 | DADO IN PLASTICA 10 M | PLASTIC NUT10 M |
| 002 | 037 | 25831 | PIASTRINA X VITI AUTOF.LATI 7P | PLATE FOR SELFTHREAD. SCREW SIDES 7P |
| 002 | 038 | 33705 | TARGHETTA FRONTALINO C 43 | NAMEPLATE, FRONT PANEL C 43 |
| 002 | 039 | H331211 | PIEDINO REGOL.INOX X F NAVE (| ST-STEEL ADJUST.FOOT, SHIP VERSION |
| 002 | 040 | 25791 | DADO AUTOBLOCCANTE 5 MA BASSO | SELF-LOCKING NUT 5 MA LOWER SIDE |
| 002 | 041 | H160838 | ANELLO PER PERNO PORTA | RING X DOOR PIN |
| 002 | 042 | H190619 | FERMO TIRANTE PORTA +LF/FC+ | DOOR CATCH +LF/FC+ |
| 002 | 043 | H331461 | PIASTRINA PER TIRAN. G65/BC | TIE ROD PLATE FOR G65/BC |
| 002 | 044 | 34142 | TIRANTE PER PORTELLO 43-53 | ROD FOR DOOR 43-53 |
| 002 | 045 | 34143 | PERNO PER TIRANTE PORTELLO | PIN FOR ROD DOOR |
| 002 | 046 | 34470 | ANGOLARE GOMMA LABIRINTO VASCA | RUBBER PROTECT.CORNER, TANK LABYR. |
| 002 | 047 | 34015 | TAPPO ESTREMITA'MANIGLIA SX | PLUG END HANDLE, LEFT |
| 002 | 047 | 34016 | TAPPO ESTREMITA'MANIGLIA DX | PLUG END HANDLE, RIGHT |
| 002 | 048 | H322644 | GUIDA PORTACESTELLI PER BHC Ç | GUIDE FOR BASKETS, BHC |
| 002 | 049 | 25775 | DADO 6 MA | NUT 6 MA |
| 002 | 050 | 35304 | RONDELLA DENTELLATA DIAM.6 | TOOTHED WASHER DIA.6 |
| 002 | 051 | 25745 | RONDELLA PIANA DIAM.6 | SPACER, FLAT, DIAM.6 |
| 002 | 052 | 25715 | VITE TE M 6 X 16 INOX | SCREW HEX.HD M 6 X 16 SS |
| 003 | 001 | 33713 | TARGA COMANDI C 43 | NAMEPLATE, CONTROLS C 43 |
| 003 | 002 | 32970 | VITE TS 3 X 20 CROCE | BEVEL, CROSS-SLOT HD. SCREW TS 3 X 20 |
| 003 | 003 | 30347 | TIMER P26/2-3CR-120"-220V | TIMER P26/2-3CR-120"-220V |
| 003 | 004 | 31324 | FILTRO ANTIDISTURBO TIPO 5001 | NOISE FILTER, TYPE 5001 |
| 003 | 005 | 33324 | RELE'JA 1CIM-220 VAC-DARE34312 | RELAY, JA 1CIM-220 VAC-DARE34312 |
| 003 | 005 | 34312 | RELE'T.A2S FA 16A 230V | T.RELAY A2S FA 16A 230V |
| 003 | 006 | 33188 | SENSORE MAGNETICO | MAGNETIC SENSOR |
| 003 | 007 | 31828 | RONDELLA DENTEL.E. DIAM.3 | DENTED ROUND SPACER, EX 3 |
| 003 | 008 | 25831 | PIASTRINA X VITI AUTOF.LATI 7P | PLATE FOR SELFTHREAD. SCREW SIDES 7P |
| 003 | 009 | 25697 | VITE AUTOF.T/TCROCE 3,9X13 ZIG | SELF-TAPPING SCREW CHEESE D747H.ROSS 3,9 |
| 003 | 010 | 32872 | INTERRUTTORE CM UNIP. D | SWITCH SA SINGLE POLE D |
| 003 | 011 | 33247 | SUPPORTO VETRO GRIGIO LUCIDO | SUPPORT LAMP HOLDER, BRIGHT GREY |
| 003 | 012 | 32890 | TASTO GRIGIO LUCIDO | BRIGHT GREY PUSH-BUTTON, |
| 003 | 013 | 32916 | TAPPO D 16 | PLUG D 16 |

| Seite | Pos | Kredtor Artikel Nr. | IT | GB |
|-------|-----|---------------------|---------------------------------|-------------------------------------|
| 003 | 016 | 28870 | LAMPADA SIGNAL-LUX FM6,3 230V. | PILOT LIGHT BULB -LUX FM6,3 230V. |
| 003 | 017 | 32891 | SUPPORTO LAMPADA | LIGHT BULB HOLDER |
| 003 | 018 | 32867 | GEMMA D16"ROSSA" | CAP, Ø16 "RED" |
| 003 | 018 | 34198 | GEMMA D16 "BLU" | COVER, D16 "BLUE" |
| 003 | 019 | 32869 | GEMMA D16"ARANCIO" | CAP, Ø16"ORANGE" |
| 003 | 020 | 32868 | GEMMA D16"VERDE" | CAP, Ø16 "GREEN" |
| 003 | 021 | 34088 | PROTEZ.COMANDI PARTI EL. C/CR | PROTECT. CONTROLS ELECTR.APPL. C/CR |
| 003 | 022 | 34046 | CORDA IN NYLON X FERMOCASSETTO | NYLON ROPE DRAWER LIMIT STOP |
| 003 | 023 | 31873 | TELERUTTORE 220-240V- B6 30-10 | REMOTE SWITCH 220-240 V- B6-30-10 |
| 003 | 024 | 25777 | DADO 3 MA | NUTS 3 MA |
| 003 | 025 | 25744 | RONDELLA PIANA DIAM.5 | SPACER, FLAT, DIAM.5 |
| 003 | 026 | 25774 | DADO 5 MA | NUTS 5 MA |
| 003 | 027 | 25723 | VITE TE 6 X 20 OTTONE | SCREW HEX.HD 6 X 20 BRASS |
| 003 | 027 | 25716 | VITE TE M 6 X 20 INOX | SCREW HEX.HD M 6 X 20 SS |
| 003 | 028 | 25775 | DADO 6 MA | NUT 6 MA |
| 003 | 029 | 25700 | VITE TC 4 X 8 CON ZIGRINATURA | SCREW CHEESE-H. 4 X 8 KNURLED |
| 003 | 030 | 25757 | RONDELLA DENTEL. DIAM. 12 D.E. | TOOTHED SPACER DIAM. 12 D.E.D787 |
| 003 | 031 | 25782 | DADO 8 MA | NUT 8 MA |
| 003 | 032 | 25773 | DADO 4 MA INOX 18/8 | NUTS 4 MA SS 18/8 |
| 003 | 033 | 34357 | TRASF.100VA115\200\400\440S.230 | TRANSFORM.100VA115\200\400\440S.230 |
| 003 | 034 | 34402 | TIMER P26/15 4CR 120"-230V. | TIMER P26/15 4CR 120"-230V. |
| 003 | 035 | 31171 | PRESSOSTATO TAR. 28/12+-3 | PRESSURE SWITCH, RATED 28/12+-3 |
| 003 | 036 | 34305 | PASSACAVO STEAB 6211/16/21 | CABLE RACEWAY STEAB 6211/16/21 |
| 003 | 037 | 34236 | LAMPADA SIGNAL LUX BLU 230V | PILOT LIGHT, BLUE BULB 230V |
| 003 | 038 | 25751 | RONDELLA SPACCATA DIAM. 8 | SPACER. SPLITTED, DIAM. 8 |
| 003 | 038 | 25745 | RONDELLA PIANA DIAM.6 | SPACER, FLAT, DIAM.6 |
| 004 | 001 | 30541 | FILTRO CANNA DI CARICO 3/4" | FILTER ON FILLING HOSE 3/4" |
| 004 | 002 | 25235 | TUBO DI CARICO 3/4" 60 ATE | INLET HOSE 3/4" 60 ATE |
| 004 | 003 | 25269 | GUARNIZIONE PIATTA | FLAT GASKET |
| 004 | 004 | 26981 | FILTRO X ELETTROVALV.T/N | FILTER X SOLENOID V.T/N |
| 004 | 005 | 17901 | SQUADRETTA ELETTROVALVOLA | SOLENOID VALVE HOLDER |
| 004 | 006 | 25700 | VITE TC 4 X 8 CON ZIGRINATURA | SCREW CHEESE-H. 4 X 8 KNURLED |
| 004 | 007 | 26629 | ELETTROVALVOLA SING.3/4" T/N | SOLENOID VALVE, SING.3/4" T/N |
| 004 | 008 | 25803 | FASCETTA STRINGITUBO 13-20 ABA | HOSE CLIP 13-20 ABA |
| 004 | 009 | 00182 | TUBO GOMMA 11X19 CASER/15"BLU" | HOSE 11X19 CASER/15"BLUE" |
| 004 | 010 | 28880 | MADREVITE | NUT SCREW |
| 004 | 011 | 33276 | CONNETTORE A T-D11,5-COM180413 | T-SHAPED CONNECTOR Ø11,5-PART180413 |
| 004 | 012 | 18683 | BOLLITORE C 35-C/CR/STS 43-48 | BOILER C 35-C/CR/STS 43-48 |
| 004 | 013 | 29938 | GUARNIZIONE OR 6150 | GASKET OR 6150 |
| 004 | 014 | 30008 | RESIS.BOL.2800W SOST.DAL | HEATER FOR.BOOST.2800W HOLD.DAL |
| 004 | 015 | 25750 | RONDELLA SPACCATA DIAM. 6 | SPACER, SPLITTED, DIAM. 6 |
| 004 | 016 | 25775 | DADO 6 MA | NUT 6 MA |
| 004 | 017 | 25575 | CAVALLOTTO L=100 MMQ 2,5 BLEU | JUMPER L=100, 2,5 mm2 BLUE |
| 004 | 018 | 25576 | CAVALLOTTO L=170 MMQ 2,5 ROSSO | JUMPER L=170, 2,5 mm2, RED |
| 004 | 019 | 25274 | GUARNIZIONE PIATTA 12 X 6 X 2 | FLAT GASKET 12 X 6 X 2 |
| 004 | 020 | 26863 | VITE TE 6 X 8 INOX | HEX HD SCREW 6 X 8 STAINLESS S. |
| 004 | 021 | 30443 | RESISTENZA VASCA 2000 W-230 V | HEATING EL., TANK 2000 W-230 V |
| 004 | 022 | 34767 | PORTAGOMMA OTTONE M.14 X 1 | BRASS HOSE FITTING M.14 X 1 |
| 004 | 023 | 25257 | GUARNIZIONE PIATTA 17,5 X 13 | FLAT GASKET 17,5 X 13 |
| 004 | 024 | 34155 | RACCORDO ALIMENT. RISCIAQUO | FITTING, RINSE DELIVERY |
| 004 | 025 | 34132 | REGOLATORE QTA' 8 LT. | CONTROL QTY 8 LT. |
| 004 | 026 | 33747 | PERNO RISCIAQUO SUPERIORE | PIN, UPPER RINSE |
| 004 | 027 | 33748 | GHIERA BLOCC.MULINELLO RIS.SUP | LOCK NUT, UPP. RINSE ROTAT.ARM |
| 004 | 028 | 20095 | ASTA RISC.SUP.PREM.T3 | RINSE ARM SUP.PREASS.T3 |
| 004 | 029 | 25109 | MOZZO GIRANTE CPL | HUB IMPELLER CPL |
| 004 | 030 | 25110 | DADO BLOCC.ASTA RISC. M 12 | LOCK NUT, RINSE ARM M 12 |
| 004 | 031 | 29695 | GETTO RISCIAQUO "NERO" | RINSE NOZZLE "BLACK" |
| 004 | 032 | 32175 | BRACCIO ASTA RISC.3/S | RINSE ARM3/S |
| 004 | 033 | 32174 | BRACCIO ASTA RISC.3/S | RINSE ARM3/S |
| 004 | 034 | 30516 | TAPPINO FILETTATO 9 X 1 | THREADED PLUG 9 X 1 |
| 004 | 035 | 25757 | RONDELLA DENTEL. DIAM. 12 D.E. | TOOTHED SPACER DIAM. 12 D.E.D787 |
| 004 | 036 | 25775 | DADO 6 MA | NUT 6 MA |
| 004 | 037 | 25745 | RONDELLA PIANA DIAM.6 | SPACER, FLAT, DIAM.6 |
| 004 | 038 | 17530 | CAVALLOTTO X RESISTENZA VASCA | WIRE X HEATING ELEM. TANK |
| 004 | 039 | 33817 | CONNETTORE A T X DOSAT. HOONV. | T-CONNECTOR FOR DISPENS. HOONV. |
| 004 | 040 | 34395 | MULINELLO RISC. CPL C/43-48-35 | ROT.RINSE ARM CPL C/43-48-35 |
| 004 | 041 | 34382 | GHIERA DIST. RISC. ROT. SX | DISTANCE WASHER RINSE LEFT TURNING |

| Seite | Pos | Kredtor Artikel Nr. | IT | GB |
|-------|-----|---------------------|--------------------------------|--|
| 004 | 044 | 34360 | GUARNIZIONE OR 7 X 1 NBR 70 | GASKET OR 7 X 1 NBR 70 |
| 004 | 045 | 34293 | MOLLETTA BLOCCAGGIO GETTO | JET LOCK SPRING |
| 004 | 046 | 34264 | GETTO RISCIAQUO CON MOLLETTA | RINSE JET WITH SPRING |
| 004 | 047 | 34375 | PERNO RISC.SUP. C 35 (DIAM.16) | PIN, UPP RINSE. C 35 (DIAM.16) |
| 005 | 001 | 32352 | PORTAGOMMA CURVO A 90° 1/4 F | HOSE FITTING, 90° ELBOW 1/4 F |
| 005 | 002 | 33346 | DISCO GRUPPO CENTRALE | DISC FOR CENTRAL SUPPORT |
| 005 | 003 | 32350 | GRUPPO CENTR.LAV-RISC.AP | WASH-RINSE SUPPORT BOTTOM HP |
| 005 | 004 | 33544 | RACCORDO PORTAGOMMA 1/2 " | HOSE FITTING 1/2 " |
| 005 | 004 | 18691 | RACCORDO PORTAGOMMA 1/2 " | HOSE FITTING 1/2 " |
| 005 | 005 | 32310 | GUARNIZIONE OR 3200 | GASKET OR 3200 |
| 005 | 006 | 33699 | ALBERO RISC. INF. CPL. | LOWER RINSE SHAFT.CPL. |
| 005 | 007 | 33700 | BUSSOLA RIDUZIONE C 43-48 | BUSH SPRING REDUCTION C 43-48 |
| 005 | 008 | H190649 | BUSSOLA PER MULINELLO | BUSH FOR WASHARM |
| 005 | 009 | 33957 | MULINELLO PREM.LAV/RISC. 43/48 | PREASS WASH/RINSE ARM. 43/48 |
| 005 | 010 | H260702 | VITE AUT.4,2X13 INOX DIN 7971 | SELF-TAPPING SCREW 4,2X9,5 DIN7981 |
| 005 | 011 | H261009 | VITE FISS. MULINELLO TUB.ACC. | RETAIN.SCREW FOR WASH-RINSE ARM |
| 005 | 012 | 27050 | GUARNIZIONE OR 2068 | GASKET OR 2068 |
| 005 | 013 | 33793 | TAPPO RISC. MULINELLO | PLUG, RINSE ARM |
| 005 | 014 | 33792 | GUARNIZIONE OR 2,62X9,13X14,37 | GASKET OR 2,62X9,13X14,37 |
| 005 | 015 | H160736 | TAPPO MULINELLO LAVAGGIO | PLUG, REVOLV. WASHARM |
| 005 | 016 | 33790 | GUARNIZIONE OR 2X9,5X13,5 F.S. | GASKET OR 2X9,5X13,5 F.S. |
| 005 | 017 | 33791 | UGELLO RISC. MULINELLO | RINSE JET, ROT.ARM |
| 005 | 018 | H200843 | GUARN.OR 2X13X17 F.SER. | OR GASKET 2X13X17 END OF SERIES |
| 005 | 019 | H170956 | UGELLO LAVAGGIO "B" | WASH NOZZLE "B" |
| 005 | 020 | H140108 | PIASTRINA X VITE FISS. MULIN. | PLATE F.CLAMP SCREW/WASH-RINSE ARM |
| 006 | 001 | 25179 | DADO AD ALETTE X ASTA RISC. | WING NUT, RINSE ARM |
| 006 | 002 | 25021 | FILTRO RETE PICCOLO | NET FILTER, SMALL SIZE |
| 006 | 003 | 25019 | DISCO ROMPIGORGO 40-42-52-60 | ANTIVORTEX DISC 40-42-52-60 |
| 006 | 004 | 25688 | VITE AUTOFIL. TC 4,2X22 INOX | SELF-TAPPING SCREW CHEESE-H. 4,2X22 SS |
| 006 | 005 | 25001 | BUSSOLA FILTRO | BUSH, SPRING FILTER |
| 006 | 006 | 31423 | GUARNIZIONE PIATTA 65X51X3 | FLAT GASKET 65X51X3 |
| 006 | 007 | 25006 | GHIERA PILETTA ASP. P. | NUT FO DRAIN SUCT. P. |
| 006 | 008 | 25807 | FASCETTA STRINGITUBO 26-38 ABA | HOSE CLIP 26-38 ABA |
| 006 | 009 | 33743 | MANICOTTO ASPIR. C 43/48 | SUCTION SLEEVE. C 43/48 |
| 006 | 010 | 34330 | MANICOTTO MAND.LAV. C 43-48 | DELIV. SLEEVE WASH C 43-48 |
| 006 | 010 | 32881 | MANICOTTO MANDATA C3-4 | OUTLET SLEEVE C3-4 |
| 006 | 011 | 25803 | FASCETTA STRINGITUBO 13-20 ABA | HOSE CLIP 13-20 ABA |
| 006 | 012 | 33735 | TUBO TROPPOPIENO C 43/48 | OVERFLOW TUBE C 43/48 |
| 006 | 013 | 33734 | GHIERA PILETTA SCARICO C 43/48 | NUT FOR DRAIN C 43/48 |
| 006 | 014 | 28226 | GUARNIZ.OR 3181 X PIPA SCARICO | GASKET OR 3181 FOR DRAIN LUG |
| 006 | 015 | 30421 | RACCORDO DI SCARICO LUNGO | DRAIN FITTING, LONG |
| 006 | 016 | 34227 | GIRANTE FIR 0239315 | IMPELLER FIR 0239315 |
| 006 | 017 | 34106 | TUBO DI SCARICO DR. D.20X1500 | DRAIN TUBE DR. D.20X1500 |
| 006 | 018 | 32926 | ELETTROP.SCAR. HP0,15 50/60 HZ | DRAIN WASH PUMP HP0,15 50/60 HZ |
| 006 | 019 | 33180 | CORPO POMPA (32926) LGB | PUMP BODY (32926) LGB |
| 006 | 020 | 33181 | TENUTA C3 (LGB)X POM.TIP.ZF140 | SHAFT SEAL C3 (LGB)FOR PUMP CODE 32926 |
| 006 | 021 | 33841 | GIRANTE DIAM.73 3PALE M7SX | IMPELLER DIAM.73, 3-BLADE, M7SX |
| 006 | 022 | 33183 | GUARNIZIONE OR 75,87X2,62 LGB | GASKET OR 75,87X2,62 LGB |
| 006 | 023 | 33184 | CHIOCCIOLA ELETRR. LGB (34225) | ELECTR.PUMP SCROLL, LGB (34225) |
| 006 | 024 | 33758 | PIASTRA POMPA C 43 | PLATE, PUMP C 43 |
| 006 | 025 | 25715 | VITE TE M 6 X 16 INOX | SCREW HEX.HD M 6 X 16 SS |
| 006 | 026 | 25750 | RONDELLA SPACCATA DIAM. 6 | SPACER, SPLITTED, DIAM. 6 |
| 006 | 027 | 33543 | CONDENSATORE 5 UF-450 V | CAPACITOR 5 UF-450 V |
| 006 | 027 | 32712 | CONDENSATORE UF 6,3-450 V CPL. | CAPACITOR UF 6,3-450 V CPL. |
| 006 | 028 | 25757 | RONDELLA DENTEL. DIAM. 12 D.E. | TOOTHED SPACER DIAM. 12 D.E.D787 |
| 006 | 029 | 25782 | DADO 8 MA | NUT 8 MA |
| 006 | 030 | 33998 | GOMMA ANTIVIBRANTE PER POMPA | VIBR.PROOF RUBBER GASK. FOR PUMP |
| 006 | 031 | H100702 | ELETTROPOMPA HP0,30 230V 50HZ | ELECTRIC PUMP HP0,30 230V 50HZ |
| 006 | 032 | 34194 | ELETTROPOMPA HP.0,3 ZF 171 | WASH PUMP HP.0,3 ZF 171 |
| 006 | 033 | 34221 | CORPO POMPA FIR PM 4229320 | PUMP HOUSING FIR PM 4229320 |
| 006 | 034 | 34222 | TENUTA MECC.11-24-11/13-26-5,5 | SHAFT SEAL 11-24-11/13-26-5,5 |
| 006 | 035 | 34223 | GIRANTE FIR 2229315 | IMPELLER FIR 2229315 |
| 006 | 036 | 34224 | GUARNIZIONE OR O 79,8 SP.2,6 | GASKET OR O 79,8 SP.2,6 |
| 006 | 037 | 34225 | COPERCHIO POMPA 2212303/HO | PUMP COVER 2212303/HO |
| 006 | 038 | 34226 | TENUTA MECC.12-24-14/13-26-5,5 | SHAFT SEAL12-24-14/13-26-5,5 |
| 006 | 039 | 34557 | FILTRO ASP.POMPA C-CR-43-48 | SUCTION FILTER PUMP C-CR-43-48 |
| 006 | 040 | 35325 | GIRAN.LGB 0108 X ZF171(34194) | IMPELLER LGB 0108 X ZF171(34194) |

| Seite | Pos | Kredtor Artikel Nr. | IT | GB |
|-------|-----|---------------------|--------------------------------|--|
| 007 | 003 | 25047 | CORPO DOSATORE INFER. | LOWER DISPENSER ASSEMBLY |
| 007 | 004 | 25697 | VITE AUTOF.T/TCROCE 3,9X13 ZIG | SELF-TAPPING SCREW CHEESE D747H.ROSS 3,9 |
| 007 | 005 | 18394 | VITE REGOLAZ.DOSATORE | SCREW CONTROL DISPENSER |
| 007 | 006 | 25251 | GUARNIZIONE OR 2012 | GASKET OR 2012 |
| 007 | 007 | 32243 | GUARNIZIONE OR 3156 | GASKET OR 3156 |
| 007 | 008 | 25818 | MOLLA CILINDRICA (FILO) | CYLINDER SPRING (WIRE) |
| 007 | 009 | 31991 | GUIDA MOLLA DOSATORE | SPRING GUIDE FOR DISPENSER |
| 007 | 010 | 31596 | MEMBRANA DOSATORE | DIAPHRAGM. DISPENSER |
| 007 | 011 | 32084 | KIT RACCORDI VALV.ASP/MAN.FRIE | FITTING KIT SUCTION VALV./LV RINSE AGENT |
| 007 | 012 | 33906 | TERMOSTATO BIP. 105° RANCO LM8 | THERMOSTAT DOUB.POLE 105° RANCO LM8 |
| 007 | 013 | 32831 | GUARNIZIONE OR 2062 | GASKET OR 2062 |
| 007 | 014 | 25211 | VALVOLINA MAND.-ASPIRAZ.DOSAT. | NON RETURN VALVE RINSE AID DISP. |
| 007 | 015 | 25757 | RONDELLA DENTEL. DIAM. 12 D.E. | TOOTHED SPACER DIAM. 12 D.E.D787 |
| 007 | 016 | 15229 | DADO FISS. DOSATORE | LOCK NUT AID DISPENSER |
| 007 | 017 | 34733 | FASCETTA A FILO X TUB.9,8-10,1 | WIRE PIPE CLAMP FOR 9,8-10,1 PIPE |
| 007 | 018 | 15228 | GHIERA FISS.TUBETTO BRIL.RIL. | RING FOR RINSING SOLUTION TUBE |
| 007 | 019 | 25803 | FASCETTA STRINGITUBO 13-20 ABA | HOSE CLIP 13-20 ABA |
| 007 | 020 | 00162 | ROTOLO TUBETTO 6X4 RILSAN | ROLL TUBE 6X4 RILSAN |
| 007 | 021 | 00166 | TUBETTO TRASP. 4x7 IN ROTOLO | ROLL TUBE TRANSP. 4X7 |
| 007 | 022 | 00182 | TUBO GOMMA 11X19 CASER/15"BLU" | HOSE 11X19 CASER/15"BLUE" |
| 007 | 024 | 26640 | VITE PRESSOSTATO * | SCREW, PRESSURE SWITCH * |
| 007 | 025 | 31171 | PRESSOSTATO TAR. 28/12+-3 | PRESSURE SWITCH, RATED 28/12+-3 |
| 007 | 026 | 00181 | TUBETTO PRESS.SILICONE 4x7 | SILICONE PRESSURE TUBE 4x7 |
| 007 | 026 | H160121 | TUBO GOMMA NERA "5 X 9" | HOSE, BLACK RUBBER D. 5 X 9 |
| 007 | 027 | 25011 | CALOTTA X TRAPPOLA ARIA | COVER X AIR TRAP |
| 007 | 028 | 25239 | GUARN. OR PB 701 3112 x TRAPP. | GASKET OR PB 701 3112 x AIR TRAP |
| 007 | 029 | 25263 | GUARN. PIATTA 38 X 25 X 2 TRAP | FLAT GASKET 38 X 25 X 2 A.TRAP |
| 007 | 030 | 25010 | TRAPPOLA ARIA | AIR TRAP |
| 007 | 031 | 25697 | VITE AUTOF.T/TCROCE 3,9X13 ZIG | SELF-TAPPING SCREW CHEESE D747H.ROSS 3,9 |
| 007 | 032 | 28880 | MADREVITE | NUT SCREW |
| 007 | 033 | 17955 | SQUADRETTA DOPPIA TERMOSTATI | DOUBLE SQUARE FOR PRESS.GAUGES |
| 007 | 034 | 25092 | MANOPOLA NERA INDICE BIANCO | HANDLE, BLACK WHITE INDEX |
| 007 | 035 | 25417 | TERMOSTATO 30-90° MT. 2 | THERMOSTAT 30-90° MT. 2 |
| 007 | 036 | 25699 | VITE TC 4 X 6 | SCREW CHEESE-H. 4 X 6 |
| 007 | 037 | 30939 | TERMOSTATO 0-80°C C.1000 | THERMOSTAT 0-80°C C.1000 |
| 007 | 039 | H200494 | GUARNIZ.TERMOST.BIM.DOPPIO | GASKET FOR DOUBLE-THERMOSTAT |
| 007 | 040 | 33948 | TERMOSTATO BIMETALLICO DOPPIO | BIMET. THERMOSTAT, DOUBLE CONTACT |
| 007 | 041 | 25752 | RONDELLA DENTEL.DIAM.4 D.E. | TOOTHED SPACER DIAM.4 D.E. |
| 007 | 042 | 33745 | LIMITATORE 110° RIARMO MANUALE | LIMITER 110° MANUAL RESET |
| 007 | 043 | 25773 | DADO 4 MA INOX 18/8 | NUTS 4 MA SS 18/8 |
| 007 | 044 | 25743 | RONDELLA PIANA DIAM. 4 | SPACER, FLAT, DIAM. 4 |
| 007 | 045 | 25700 | VITE TC 4 X 8 CON ZIGRINATURA | SCREW CHEESE-H. 4 X 8 KNURLED |
| 007 | 046 | 25831 | PIASTRINA X VITI AUTOF.LATI 7P | PLATE FOR SELFTHREAD. SCREW SIDES 7P |
| 007 | 047 | 34678 | SQUADRETTA TERMOSTATO COTHERM | BRACKET, THERMOSTAT COTHERM |
| 007 | 048 | 34534 | TERMOSTATO ASS.COTHERM 87-109° | THERMOSTAT ASS.COTHERM 87-109° |