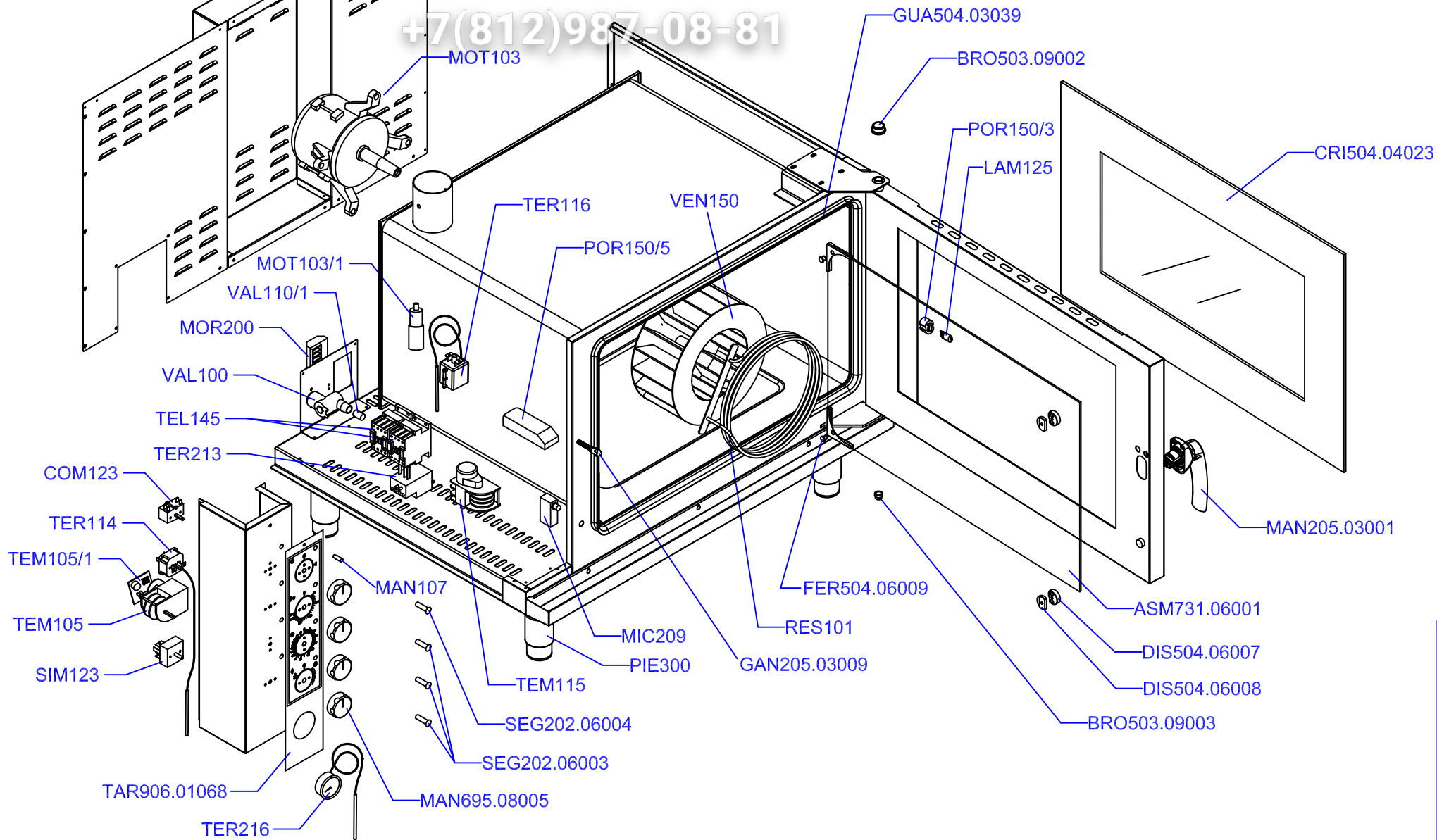


Зип Общепит

vsezip.ru

+7(812)987-08-81

BAKE500M



## IT

ASM731.06001  
BRO503.09002  
BRO503.09003  
COM123  
CRI504.04023  
DIS504.06007  
DIS504.06008  
FER504.06009  
GAN205.03009  
GUA504.03039  
LAM125  
MAN107  
MAN205.03001  
MAN695.08005  
MIC209  
MOR200  
MOT103  
MOT103/1  
PIE300  
POR150/3  
POR150/5  
RES101  
SEG202.06004  
SEG202.06003  
SIM123  
TAR906.01068  
TEL145  
TEM105  
TEM105/1  
TEM115  
TER114  
TER116  
TER213  
TER216  
VAL100  
VAL110/1  
VEN150

VETRO INTERNO  
BRONZINA CERNIERA SUPERIORE  
BRONZINA CERNIERA INFERIORE  
COMMUTATORE GENERALE  
VETRO ESTERNO  
BLOCCA VETRO  
BLOCCA VETRO RUOTANTE  
BLOCCA VETRO INTERNO  
GANCIO MANIGLIA  
GUARNIZIONE CELLA  
LAMPADINA ALOGENA  
MANOPOLA  
MANIGLIA  
MANOPOLA COMANDI  
MICRO-INTERRUPTORE PORTA  
MORSETTIERA  
MOTORE VENTOLA  
CONDENSATORE  
PIEDINO  
PORTALAMPADA  
TRASFORMATORE  
RESISTENZA  
SPIA VERDE  
SPIA ARANCIO  
REGOLATORE D'ENERGIA  
TARGA ADESIVA COMANDI  
CONTATTORE  
TEMPORIZZATORE  
AVVISATORE ACUSTICO  
INVERTITORE DI MARCIA VENTOLA  
THERMOSTATO COTTURA  
THERMOSTATO DI SICUREZZA  
RELÉ  
TERMOMETRO  
ELETTROVALVOLA UMIDIFICATORE  
RIDUTTORE DI PORTATA  
VENTOLA

## GB

INTERNAL GLASS  
HINGE BUSH  
HINGE BUSH  
COMMUTATOR  
EXTERNAL GLASS  
BLOCKS GLASS  
REVOLVING BLOCKING GLASS  
BLOCKS INNER GLASS  
HANDLE NIB  
DOOR SEAL  
HALOGEN LAMP  
KNOB  
HANDLE  
KNOB  
MICROSWITCH  
SUPPLY TERMINAL BOARD  
MOTOR FAN  
CAPACITOR  
ADJUSTABLE FOOT  
LAMPHOLDER  
TRANSFORMER  
RESISTOR  
GREEN INDICATOR  
ORANGE INDICATOR  
HUMIDITY REGULATORS  
SCREEN PRINTED PLATTE  
CONTACTOR  
TIMER  
BUZER  
FAN TIMER  
COOKER THERMOSTAT  
SAFETY THERMOSTAT  
RELAY  
THERMOMETER  
SOLENOID VALVE  
FLOW-RATE REDUCTION UNIT  
FAN

## FR

VITRE INTERNE  
COUSSINET CHARNIÈRE  
COUSSINET CHARNIÈRE  
COMMUTATEUR  
VITRE EXTERNE  
BLOQUE VERRE  
BLOCAGE TOURNANT DU VERRE  
BLOQUE VERRE INTERNE  
MENTONNET DE LA MANETTE  
JOINT PORTE INTERNE  
LAMPE HALOGÈNE  
MANETTE  
POIGNEE'  
MANETTE  
MICRO-INTERRUPTEUR  
BORNE ALIMENTATION  
MOTEUR  
CONDENSATEUR  
PIED RÉGABLE  
PORTE-LAMPE  
TRANSFORMATEUR  
RESISTANCE  
SIGNAL VERT  
SIGNAL ORANGE  
REGULATEUR HUMIDIFICATION  
PLAQUE SÉRIGRAPHIÉE  
TÉLÉRUPTEUR  
TEMPORISATEUR  
AVERTISSEUR ACOUSTIQUE  
TEMPORISATEUR  
THERMOSTAT DE CUISSON  
THERMOSTAT DE SÉCURITÉ  
RELAIS  
THERMOMÈTRE  
ELECTROSOUPAPE  
RÉDUCTEUR DE DÉBIT  
VENTILATEUR

## DE

INNENGLAS  
SCHARNIER BUCHSE  
SCHARNIER BUCHSE  
UMSCHALTER  
AUSSENGLAS  
BLOCK-GLAS  
DREHBLOCK-GLAS  
BLOCK-INNENGLAS  
HANDGRIFF-SPITZE  
DICHTUNG INNENTÜR  
HALOGENLAMPE  
BEDIENKNOPF  
GRIFF  
BEDIENKNOPF  
MIKROSCHALTER  
VERSORGUNGSKLEMMENLEISTE  
MOTOR  
KONDENSATOR  
STELLFUSS  
LAMPENFASSUNG  
TRANSFORMATOR  
WIDERSTAND  
MELDER GRÜN  
MELDER ORANGE  
BASCHWANUNGREGULATION  
SIEBDRUCKSCHILD  
SCHÜTZ  
ZEITSCHALTUHR  
SUMMER  
ZEITSCHALTUHR  
GARTHERMOSTAT  
SICHERHEITSTHERMOSTAT  
HILFSRELAIS  
THERMOMETER  
MAGNETVENTIL  
STROMVENTIL  
LÜFTERRAD

## ES

CRISTAL INTERIO  
CASQUILLO BISAGRA  
CASQUILLO BISAGRA  
CONMUTADOR  
CRISTAL EXTERIOR  
BLOQUEA VIDRIO  
BLOQUEO GIRATORIO DEL VIDRIO  
BLOQUEA EL CRISTAL INTERNO  
NARIZ  
BURLETE INTERIOR PUERTA  
LAMPARA ALOGENA  
MANOPLA  
TIRADOR  
MANOPLA  
MICRO INTERRUPTOR  
CAJA DE BORNES ALIMENTACIÓN  
MOTOR  
CONDENSATOR  
PATA CON REGULACIÓN  
PORTA-LÁMPARA  
TRANSFORMADOR  
RESISTENCIA  
SEÑAL VERDE  
SEÑAL NARANJA  
REGULATION UMIDIFICACION  
PLACA SERIGRAFADA  
TELÉRUPTOR  
TEMPORIZADOR  
AVISO ACÚSTICO  
TEMPORIZADOR  
THERMOSTATO DE COCCIÓN  
THERMOSTATO DE SEGURIDAD  
RELE  
TERMÓMETRO  
ELECTROVÁLVULA  
REDUCTOR DE ALCANCE  
VENTILADOR