



SD 40

SD 60

"F" SERIES

R 134 A VERSION

**SPARE PARTS LIST
CATALOGO RICAMBI
CATALOGUE PIÈCES DÉTACHÉES
ERSATZTEILENKATALOG**

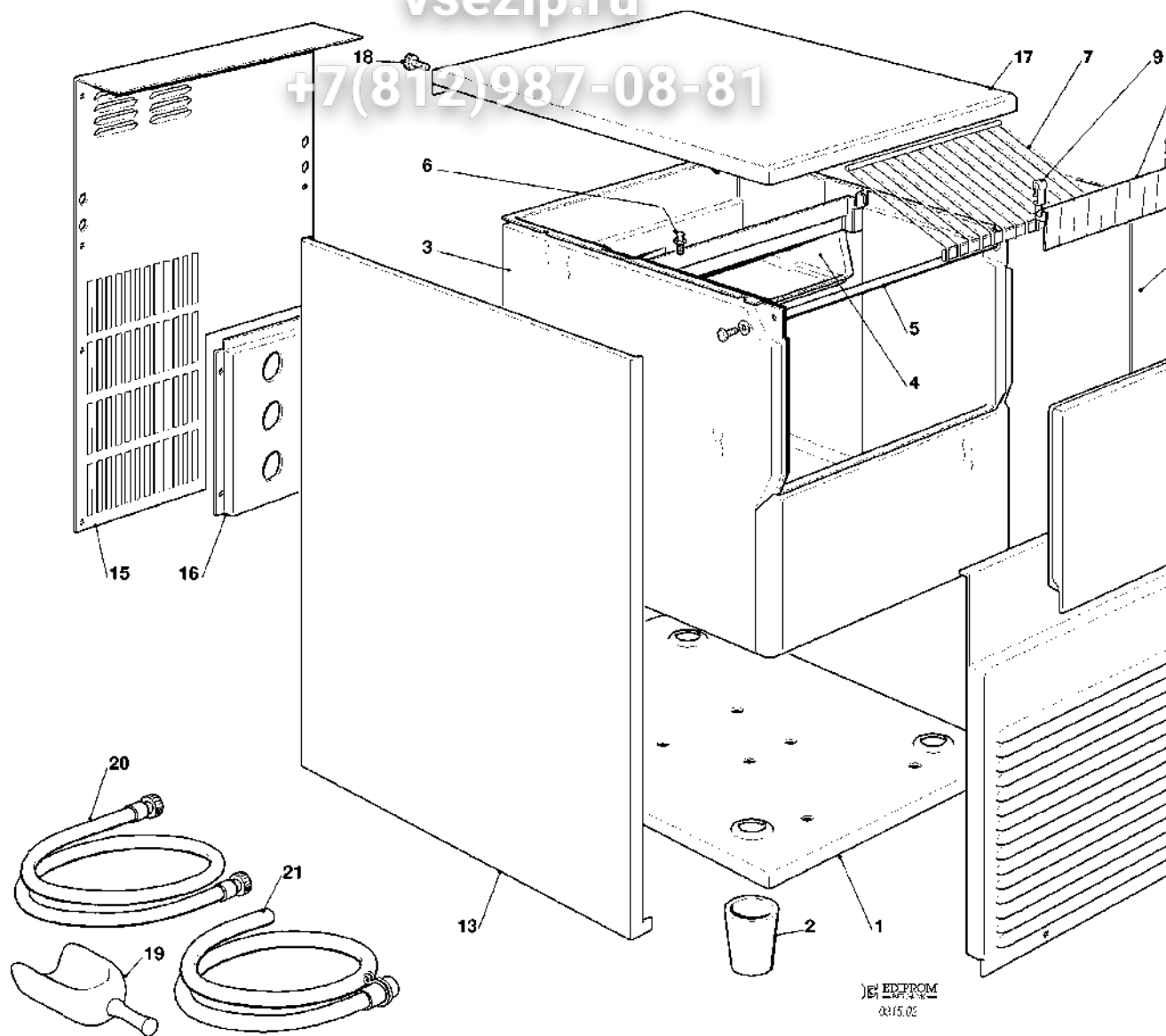
Зип Общепит

PAGE PAGINA PAGE SEITE	TABLE OF CONTENTS	vsezip.ru INDICE +7(812)987-08-81	TABLE DES MATIÈRES	
1	TABLE OF CONTENTS	INDICE	TABLE DES MATIÈRES	INHALTVER
2-3	UNIT PANELS	ASSIEME MOBILE	ENS. CARROSSERIE	MACHINE
4-5	REFRIGERANT SYSTEM AIR COOLED	SISTEMA REFRIGERANTE RAFFR. AD ARIA	CIRCUIT FRIGORIFIQUE REFROID. A AIR	GEFRIERS LUFTGEKÜ
6-7	REFRIGERANT SYSTEM WATER COOLED	SISTEMA REFRIGERANTE RAFFR. AD ACQUA	CIRCUIT FRIGORIFIQUE REFROID. A EAU	GEFRIERS WASSERG
8-9	WATER SYSTEM	CIRCUITO IDRAULICO	CIRCUIT HYDRAULIQUE	WASSER S
10-11	CONTROL BOX	SCATOLA DI CONTROLLO	BOITE ELECTRIQUE	SCHALTSC
12	COMPRESSON AND ELECTRIC COMPONENT CHARTS	TABELLA COMPRESSORI E COMPONENTI ELETTRICI	LISTE DES COMPRESSEURS ET COMPOSANTS ELECTRIQUE	KOMPRES TEILLISTE

Зип Общепит

vsezip.ru

+7(812)987-08-81



Зип Общепит

SD 40 - SD 60 - UNIT PANELS - ASSIEME MOBILE - ENS. CARROSSERIE - MACHINE GEHAUS

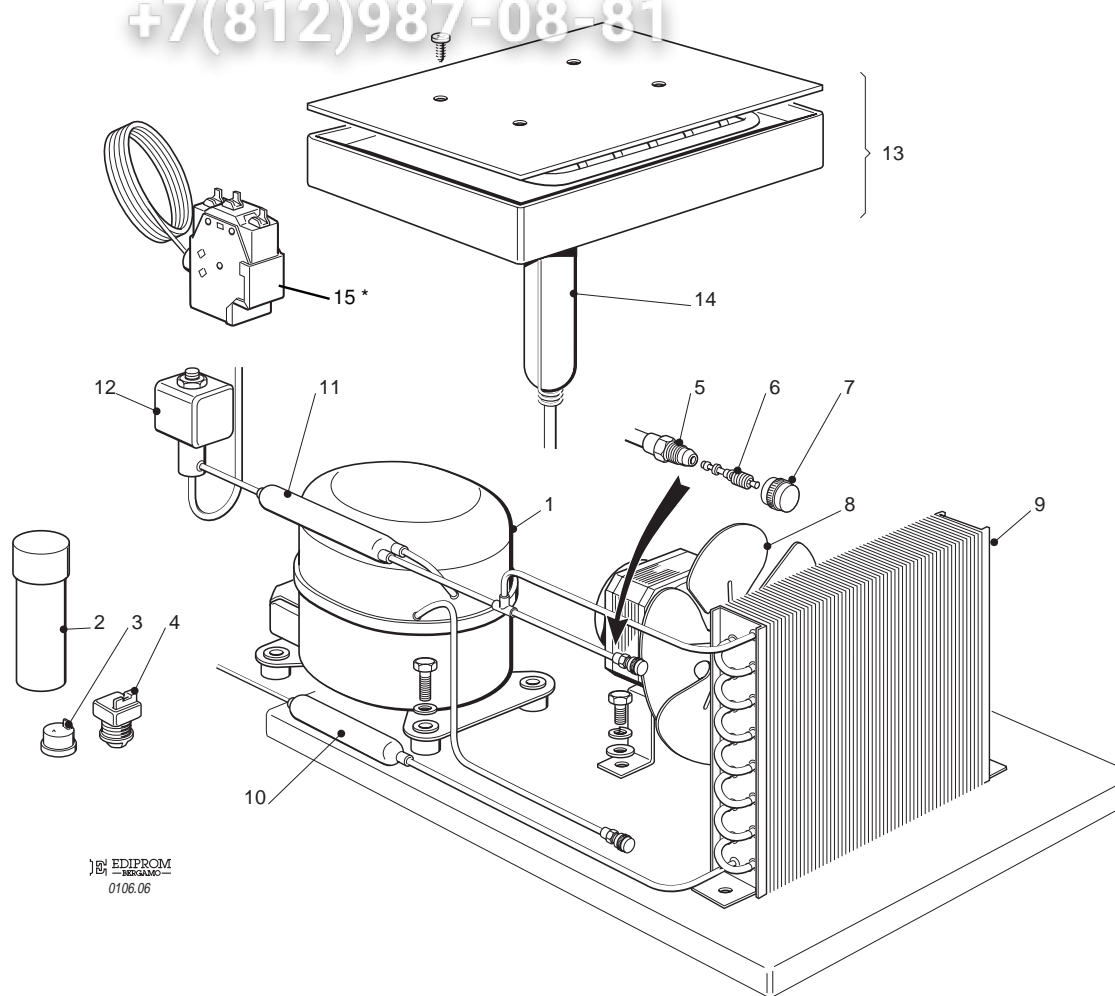
ITEM NO POS NO REP. NO REF. NO	PART NO - CODICE REFERENCE - STUECK NR.		DESCRIPTION	DESCRIZIONE	DESIGNATION	
	SD 40	SD 60				
1	781406 08		BASE	PIASTRA DI BASE	PLAQUE DE BASE	GR
2	660638 00		LEG	PIEDE REGOLABILE	PIED RÉGLABE	GE
3	782094 01R	782094 02R	INSULATED BIN ASSY	ASSIEME CELLA ISOLATA	ENS. CABINE	ISC
4	660635 01		EVAPORATOR HOUSING	INVOLUCRO EVAPORATORE	CHAMBRE INTERIEUR	CE
5	732016 08		BIN DOOR BRACKET	ASTA SPORTELLO	TIGE PORTE	KL
6	650790 00		STUD	PERNO	AXE	ST
7	650714 00		ICE DEFLECTOR	GRIGLIA SCORRIMENTO CUBETTI	GRILLE GLISSEMENT GLAÇON	AB
8	783172 00		CURTAIN ASSY	ASSIEME TENDINA	ENS. LAMELLE	AB
9	660388 00		RIGHT CURTAIN SUPPORT	SUPP. TENDINA DESTRO	SUPP. LAMELLE DROITE	RE
10	660388 01		LEFT CURTAIN SUPPORT	SUPP. TENDINA SINISTRO	SUPP. LAMELLE GAUCHE	LIN
11	721845 00	721846 00	FRONT PANEL S.S.	PANNELLO ANTERIORE INOX	PANNEAU AVANT ACIER INOX	VO
12	782092 06		BIN DOOR	SPORTELLO	PORTE CABINE	SP
13	721842 00	721844 00	LEFT SIDE PANEL S.S.	PANNELLO SINISTRO INOX	JOUE GAUCHE ACIER INOX	LIN
14	721841 00	721843 00	RIGHT SIDE PANEL S.S.	PANNELLO DESTRO INOX	JOUE DROITE ACIER INOX	RE
15	702324 00	702325 00	REAR PANEL	PANNELLO POSTERIORE	PANNEAU POSTERIEUR	HIN
16	702301 00		METAL BRACKET FOR FITTING	SUPPORTO ATTACCHI	SUPPORT DE RACCORDS	ME
17	781432 02		TOP PANEL S.S.	PANNELLO SUPERIORE INOX	ENS. COUVERCLE	DE
18	650806 00		REAR STUD	PERNO POSTERIORE	AXE ARRIÈRE	TR
19	650071 00		ICE SCOOP	SESSOLA	SASSE	EIS
20	060513 00		KIT WATER SUPPLY HOSE	KIT TUBO ALIM. ACQUA	KIT TUYAU D'ALIM. EAU	WA
21	060513 01		KIT WATER DRAIN HOSE	KIT TUBO SCARICO ACQUA	KIT TUYAU VIDANGE EAU	WA
*	650805 00		SIMAG LOGO	TARGHETTA SIMAG	EMBLEME SIMAG	SIM
*	650805 14		SD 40 LOGO	TARGHETTA SD 40	EMBLEME SD 40	SD
*	650805 15		SD 60 LOGO	TARGHETTA SD 60	EMBLEME SD 60	SD

Зип Общепит

vsezip.ru

+7(812)987-08-81

* only SD 60 A
solo SD 60 A



EDIPROM
0106.06

Зип Общепит

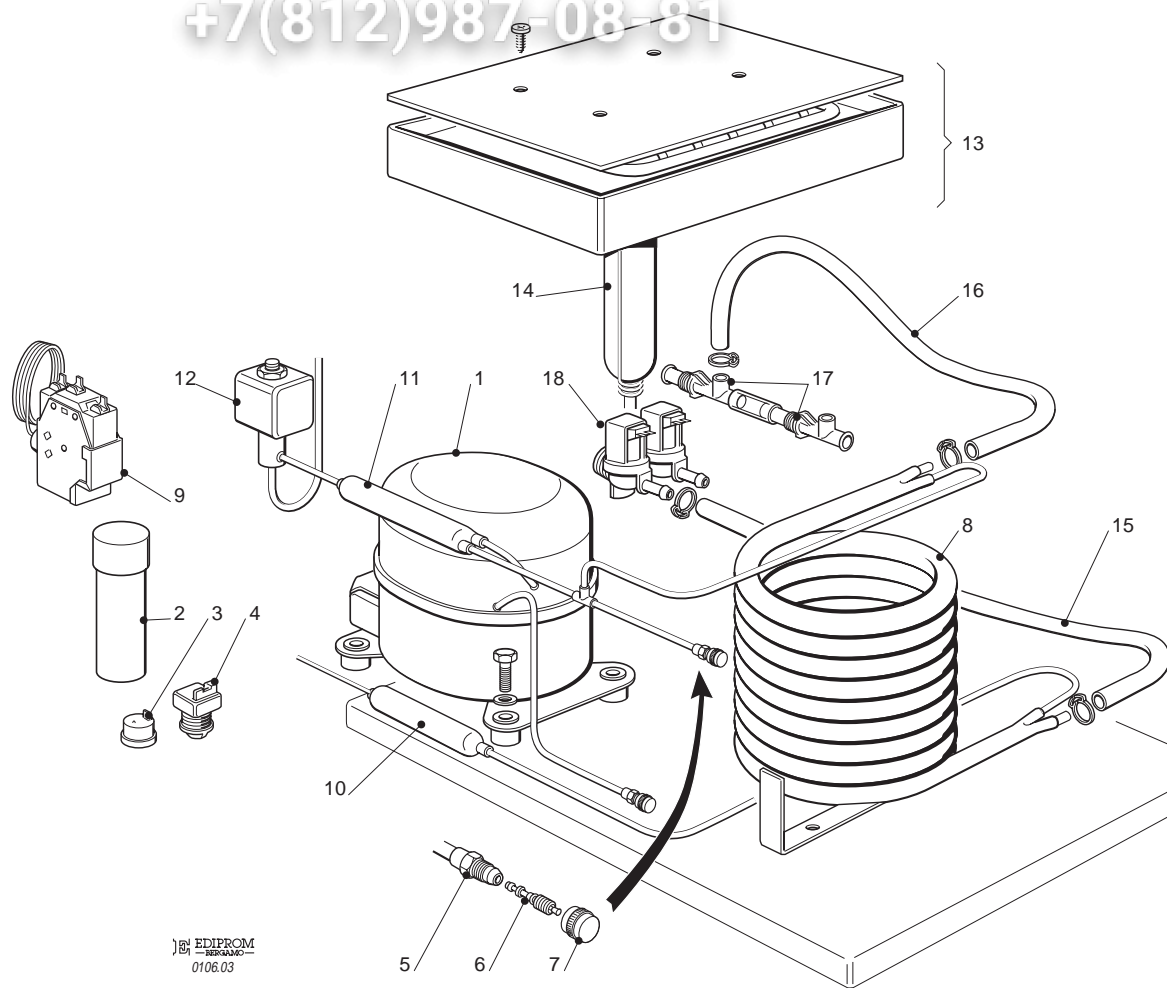
SD 40 - SD 60 - REFRIGERANT SYSTEM AIR COOLED - SISTEMA REFRIGERANTE RAFFR. AD ARIA CIRCUIT FRIGORIFIQUE REFROID. PAR AIR - LUFTGEKÜHLT GEFRIERSYSTEM

ITEM NO POS NO REP. NO REF. NO	PART NO - CODICE REFERENCE - STUECK NR.		DESCRIPTION	DESCRIZIONE	DESIGNATION	
	SD 40	SD 60				
1	670100 00	670101 00	COMPRESSOR	COMPRESSORE	COMPRESSEUR	KOMPRESSOR
2	620167 29	620167 01	START CAPACITOR	CONDENSATORE D'AVVIAMENTO	CAPACITE DE DEMARRAGE	STARTKAPAZITÄT
3	620058 69	620058 77	PROTECTOR	PROTETTORE	PROTECTEUR	SCHUTZBLECH
4	620057 31	620057 42	RELAY	RELÈ	RELAIS	RELÄ
5	650109 00		VALVE BODY	CORPO VALVOLA	CORPS DE VANNE	VENTILKÖRPER
6	670012 00		VALVE PISTON	PISTONCINO VALVOLA	PISTON	VENTILKUGEL
7	650106 00		VALVE CAP	CAPPUCCIO VALVOLA	CAPUCHON DE VANNE	VENTILKAPPE
8	620419 02 620419 32	620419 33	FAN MOTOR FAN BLADE	MOTOVENTILATORE VENTOLA	MOTO-VENTILATEUR HELICE	LÜFTMOTOR FLÜGEL
9	620420 00	620439 00	AIR COOLED CONDENSER	CONDENSATORE AD ARIA	CONDENSEUR	KÜHLKONDENSATOR
10	630003 05		DRIER	FILTRO DEUMIDIFICATORE	FILTRE DESHYDRATEUR	TROCKNUNGSMITTEL
11	630137 00	630137 01	MECHANICAL FILTER	FILTRO MECCANICO	FILTRE MECANIQUE	MECHANISCHER FILTER
12	620306 48 620306 27		HOT GAS VALVE COIL HOT GAS VALVE BODY	BOBINA VALVOLA GAS CALDO CORPO VALVOLA GAS CALDO	BOBINE VANNE GAZ CHAUDS CORP VANNE GAZ CHAUDS	HEIßGASVENTILBOBINE HEIßGASVENTILKÖRPER
13	784480 00	784480 01	EVAPORATOR ASSY	ASSIEME EVAPORATORE	ENS. EVAPORATEUR	VERDAMPFERBAUSATZ
14	784444 03	784444 05	ACCUMULATOR ASSY	ASSIEME ACCUMULATORE	ENS. ACCUMULATEUR	SAMMELBAUSATZ
15	-	620075 00	PRESSURE CONTROL	PRESSOSTATO	PRESSOSTAT	DRUCKSTEUERUNG

Зип Общепит

vsezip.ru

+7(812)987-08-81



EDIPROM
0106.03

Зип Общепит

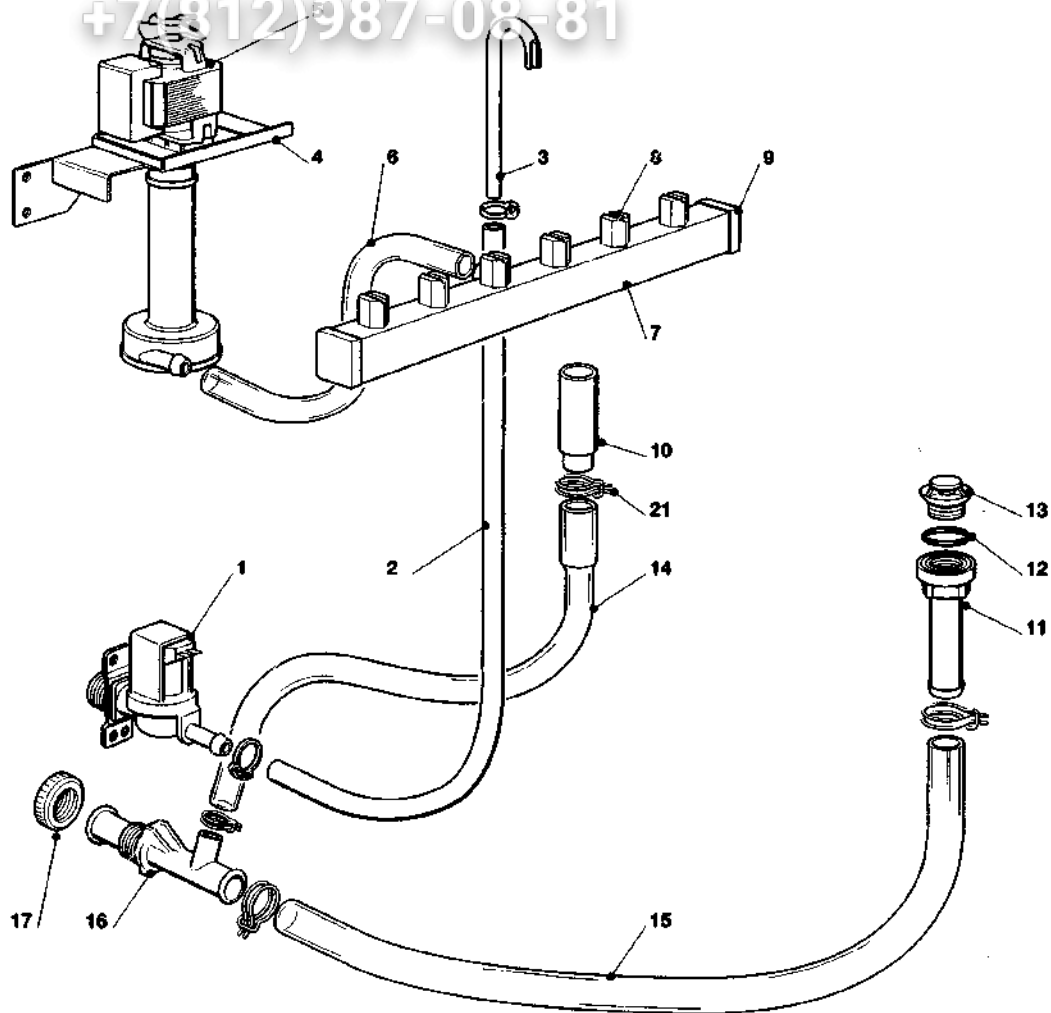
SD 40 - SD 60 - REFRIGERANT SYSTEM WATER COOLED - SISTEMA REFRIGERANTE RAFFR. AD CIRCUIT FRIGORIFIQUE REFROID. PAR EAU - WASSERGEKÜHLT GEFRIERSYSTEM

ITEM NO POS NO REP. NO REF. NO	PART NO - CODICE REFERENCE - STUECK NR.		DESCRIPTION	DESCRIZIONE	DESIGNATION	
	SD 40	SD 60				
1	670100 00	670101 00	COMPRESSOR	COMPRESSORE	COMPRESSEUR	KO
2	620167 29	620167 01	START CAPACITOR	CONDENSATORE D'AVVIAMENTO	CAPACITE DE DEMARRAGE	STA
3	620058 69	620058 77	PROTECTOR	PROTETTORE	PROTECTEUR	SC
4	620057 31	620057 42	RELAY	RELÈ	RELAIS	RE
5	650109 00		VALVE BODY	CORPO VALVOLA	CORPS DE VANNE	VE
6	670012 00		VALVE PISTON	PISTONCINO VALVOLA	PISTON	VE
7	650106 00		VALVE CAP	CAPPUCCIO VALVOLA	CAPUCHON DE VANNE	VE
8	620389 00		WATER COOLED CONDENSER	CONDENSATORE ACQUA	CONDENSEUR A EAU	WA
9	620075 00		PRESSURE CONTROL	PRESSOSTATO	PRESSOSTAT	PR
10	630003 05		DRIER	FILTRO DEUMIDIFICATORE	FILTRE DESHYDRATEUR	TR
11	630137 00	630137 01	MECHANICAL FILTER	FILTRO MECCANICO	FILTRE MECANIQUE	ME
12	620306 48 620306 27		HOT GAS VALVE COIL HOT GAS VALVE BODY	BOBINA VALVOLA GAS CALDO CORPO VALVOLA GAS CALDO	BOBINE VANNE GAZ CHAUDS CORP VANNE GAZ CHAUDS	HE VE
13	784480 00	784480 01	EVAPORATOR ASSY	ASSIEME EVAPORATORE	ENS. EVAPORATEUR	VE
14	784444 03	784444 05	ACCUMULATOR ASSY	ASSIEME ACCUMULATORE	ENS. ACCUMULATEUR	SAR
15	281900 01		PLASTIC TUBE - PER METER	TUBO PVC - PER METRO	TUYAU EN PLASTIQUE - POUR MT.	PLA
16	281900 01		PLASTIC TUBE - PER METER	TUBO PVC - PER METRO	TUYAU EN PLASTIQUE - POUR MT.	PLA
17	660224 00		WATER DRAIN FITTING	RACCORDO SCARICO ACQUA	RACCORD EVACUATION EAU	WA
18	650105 51		WATER INLET VALVE	ELETTRIVALVOLA DOPPIA	VANNE ARRIVÉE EAU	EL

Зип Ощепит

vsezip.ru

+7(812)987-08-81



Зип Общепит

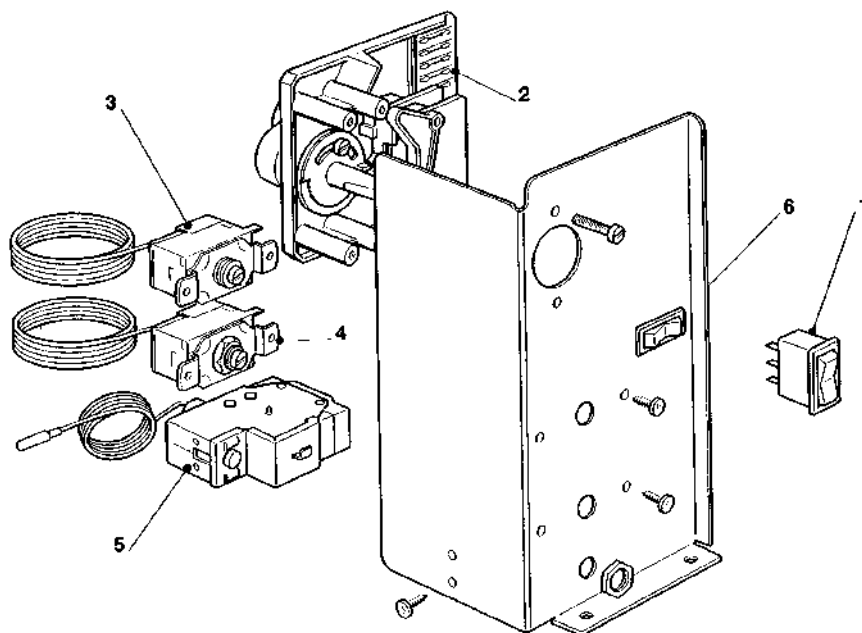
SD 40 - SD 60 - WATER SYSTEM - CIRCUITO IDRAULICO - CIRCUIT HYDRAULIQUE - WASSERSYSTEM

ITEM NO POS NO REP. NO REF. NO	PART NO - CODICE REFERENCE - STUECK NR.		DESCRIPTION	DESCRIZIONE	DESIGNATION	
	SD 40	SD 60				
1	650105 50 650105 51		WATER INLET VALVE - AIR COOLED WATER INLET VALVE - WATER COOLED	VALVOLA INGR. ACQUA - RAFF. ARIA VALVOLA INGR. ACQUA - RAFF. ACQUA	VANNE ARRIVEE EAU - REFR. AIR VANNE ARRIVEE EAU - REFR. EAU	WA WA
2	281900 01		PLASTIC TUBE - PER METER	TUBO INGRESSO ACQUA	TUYAU EN PLASTIQUE - POUR MT.	PLA
3	734683 00		WATER INLET COPPER PIPE	TUBO RAME INGR. ACQUA	TUYAU ENTREE EAU CUIVRE	WA
4	724333 00		METAL BRACKET	SUPPORTO POMPA INOX	SUPPORT METALLIQUE	ME
5	620433 00		WATER PUMP	POMPA	POMPE A EAU	WA
6	610150 03		PUMP INLET WATER PIPE	TUBO MANDATA POMPA	TUYAU DE REFOULEMENT POMPE	PU
7	650665 19	650665 20	SPRAY BAR	TUBO SPRUZZATORE	COLLECTEUR	KO
8	660558 00 (8 x SD 40 / 10 x SD 60)		SPRAY JET	SPRUZZATORI	GICLEURS	SPR
9	660557 00		PLUG	UGELLO SPRUZZATORE	BOUCHON POUR COLLECTEUR	STO
10	660698 02		OVERFLOW STAND PIPE	TUBO DI TROPPO PIENO	TROP PLEIN	UE
11	660219 01		DRAIN FITTING	SCARICO CELLA	TUYAU EVACUATION	ABI
12	640134 00		O RING	O-RING	JOINT TORIQUE	SIM
13	660211 01		DRAIN FILTER	FILTRO SCARICO CELLA	FILTRE CABINE STOCKAGE	BEI
14	610191 01		OVERFLOW DRAIN TUBE	TUBO SCARICO TROPPO PIENO	TUYAU VIDANGE TROP PLAIN	BEI
15	610148 20		STORAGE BIN DRAIN TUBE	TUBO SCARICO CONTENITORE	TUYAU VIDANGE CONTENEUR	BEI
16	660224 00		WATER DRAIN FITTING	RACCORDO A "T"	RACCORD EVACUATION EAU	WA
17	660535 00		PLASTIC RING NUT	GHIERA	COLLIER DE SERRAGE EN PLAST.	PLA

Зип Общепит

vsezip.ru

+7(812)987-08-81



Зип Общепит

SD 40 - SD 60 - CONTROL BOX - SCATOLA DI CONTROLLO - BOITE ELECTRIQUE - SCHALTSCH

ITEM NO POS NO REP. NO REF. NO	PART NO - CODICE REFERENCE - STUECK NR.		DESCRIPTION	DESCRIZIONE	DESIGNATION	
	SD 40	SD 60				
1	620453	00	SWITCH	INTERRUTTORE LUMINOSO	INTERRUPTEUR LUMINEUX	SC
2	620441	00	TIMER	TIMER	MINUTERIE	TIM
3	620209	00	BIN THERMOSTAT	TERMOSTATO CONTENITORE	THERMOSTAT CONTENEUR	BE
4	620201	01	EVAPORATOR THERMOSTAT	TERMOSTATO EVAPORATORE	THERMOSTAT EVAPORATEUR	VE
5	620443	02	THERMOSTAT - SAFETY	TERMOSTATO DI SICUREZZA	THERMOSTAT DE SECURITÉ	SIC
6	620442	02	SWITCH	COMMUTATORE UNIPOLARE	INTERRUPTEUR	UM

Зип Общепит

vsezip.ru

SD 40 - SD 60 - COMPRESSOR CHART - TABELLA COMPRESSORI - TABLEAU COMPRESSEUR - KOMPR

MODEL MODELLO MODELE MODELL	VOLTS TENSIONE TENSION SPANNUNG	COMPRESSOR MODEL MOD. COMPRESSORE TYPE COMPRESSEUR KOMPRESSOR TYP	COMPRESSOR COMPRESSORE COMPRESSEUR KOMPRESSOR	RELAY RELE' RELAIS RELAIS	PROTECTOR PROTETTORE PROTECTEUR SCHUTZGERAT
SD 40 SD 60	115/60/1	-	-	-	-
SD 40 SD 60	230/60/1 230/60/1	- CAE 4448 Y	- 670101 02	- 620057 49	- 620058 80
SD 40 SD 60	230/50/1 230/50/1	GL 90 TB CAE 4448 Y	670100 00 670101 00	620057 31 620057 42	620058 69 620058 77

SD 40 - SD 60 - ELECTRIC COMPONENTS CHART - TABELLA COMPONENTI ELETTRICI TABLEAU COMPOSANTS ELECTRIQUE - ELEKTRISCHEKARTE

MODEL MODELLO MODELE MODELL	VOLTS TENSIONE TENSION SPANNUNG	WATER PUMP POMPA POMPE A EAU WASSER PUMPE	FAN MOTOR ONLY MOTORE VENTILATORE MOTEUR VENTILATEUR LUFTER MOTOR	WATER INLET VALVE VALV. INGR. ACQUA V.E.M. ARRIVEE EAU WASSEREIN. VENTIL	HOT GAS VALVE COIL BOBINA VALVOLA GAS CALD BOBINE V.E.M. GAZ CHAUDS HEISSGAZ VENTIL SPULE
SD 40 - 60	115/60/1	-	-	-	-
SD 60	230/60/1	620433 01	620419 02	650105 50 / 650105 51 (AIR / WATER)	620306 48
SD 40 - 60	230/50/1	620433 00	620419 02	650105 50 / 650105 51 (AIR / WATER)	620306 48