

cod.DW029E

data:01/12/2021

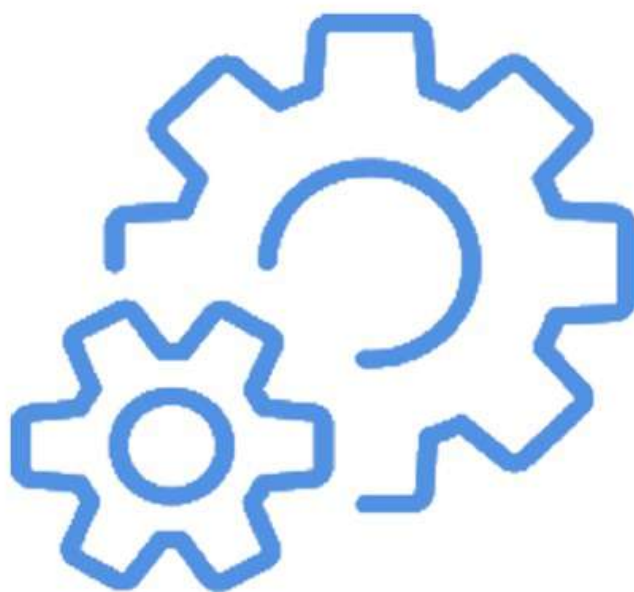
Catalogo ricambi
Spare parts catalog
Catalogue de pièces détachées
Ersatzteilkatalog
Catálogo de repuestos
Catálogo de peças de reposição
Каталог запасных частей

Зип Общепит

vsezip.ru

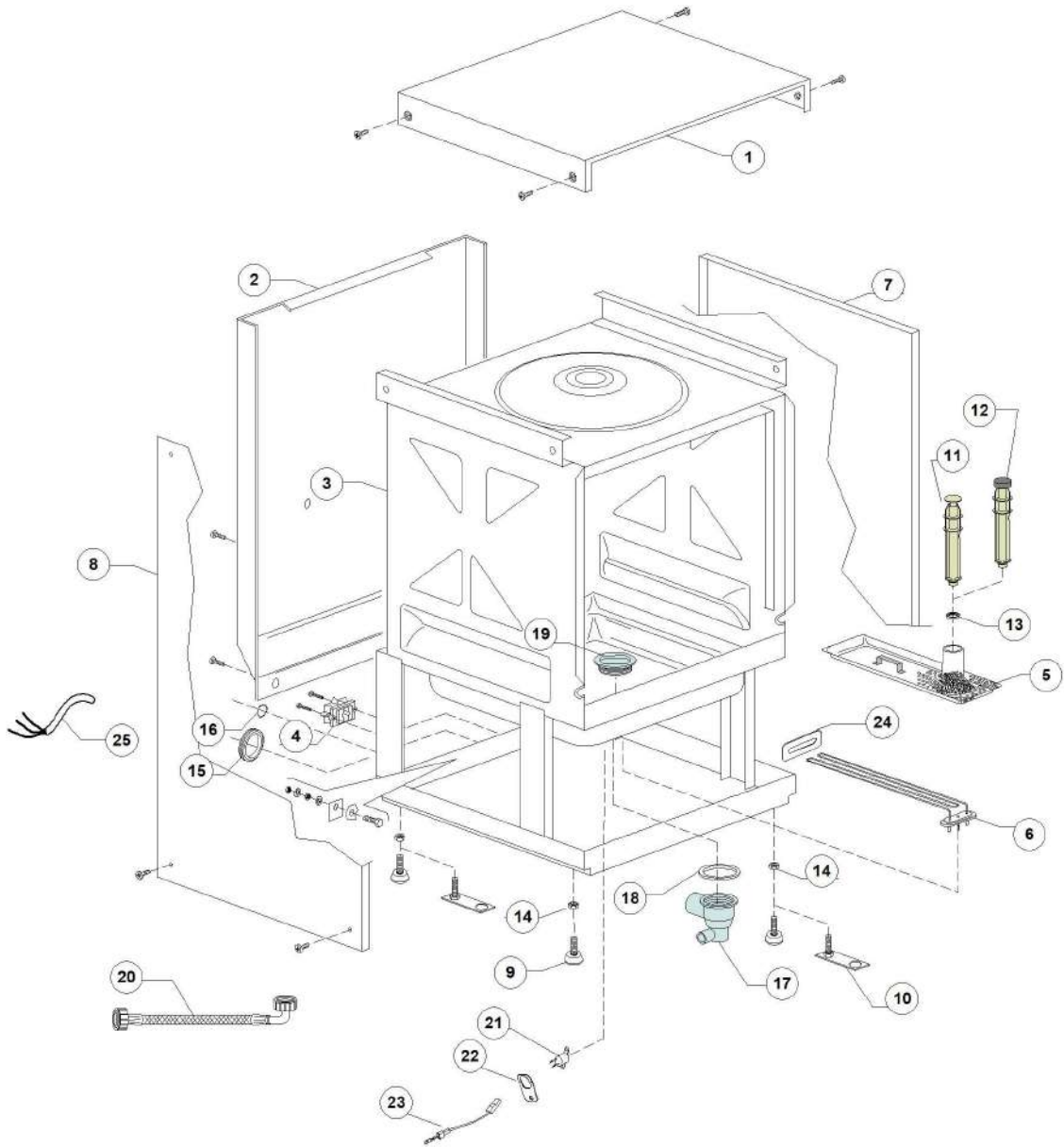
+7(812)987-08-81

METOS LUX 60 EL PS XP DDE 380-400/3N/50

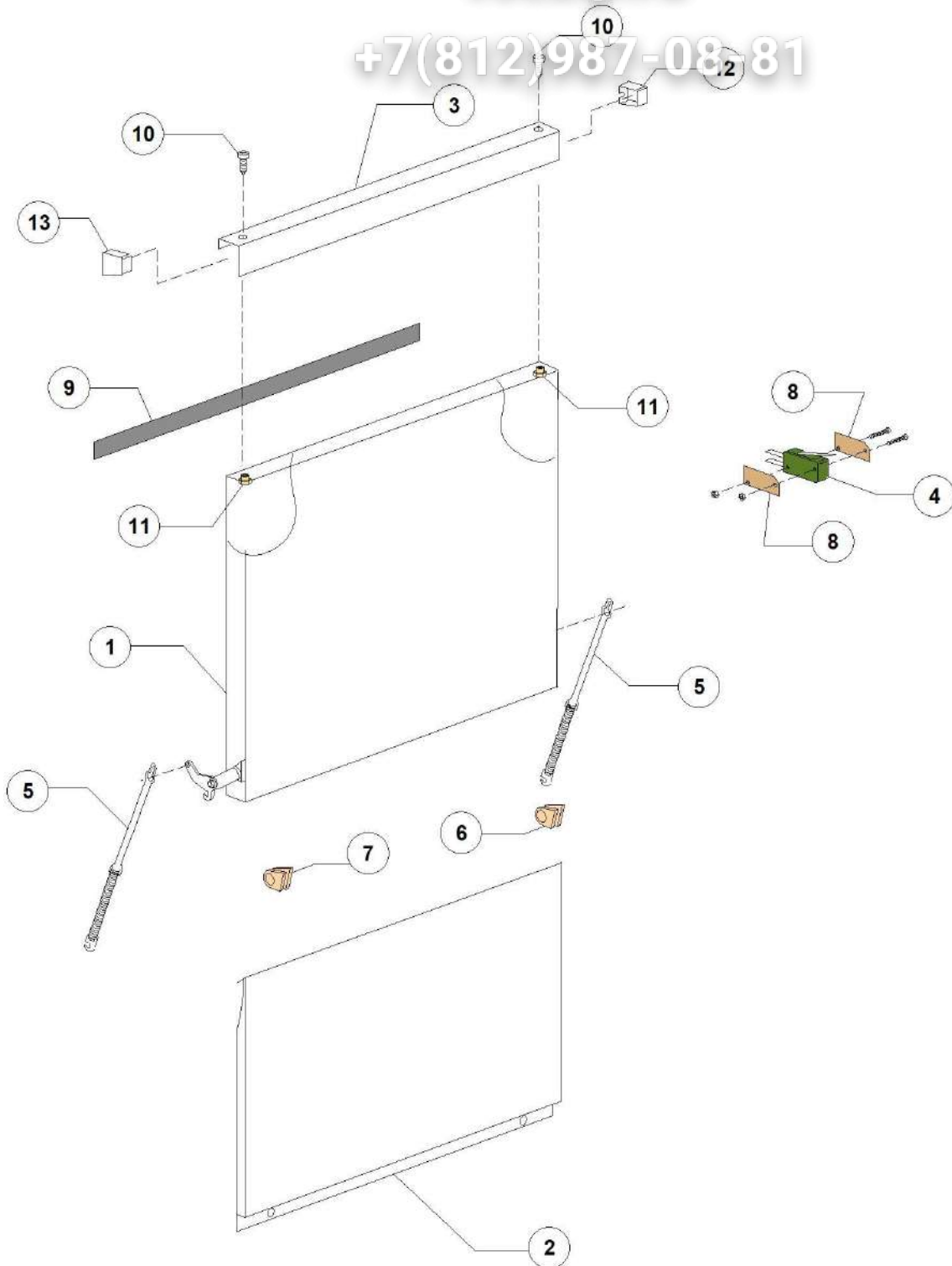


S/N:DWD1009064

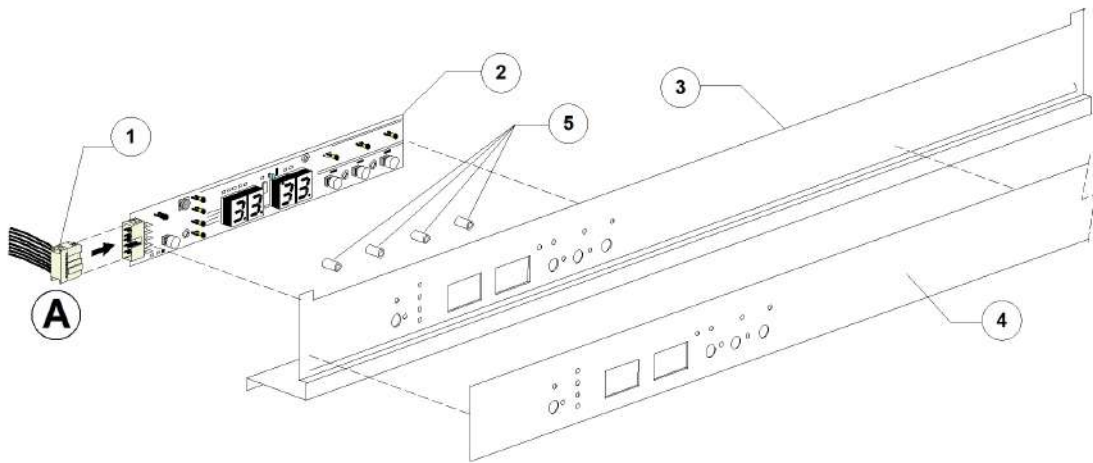




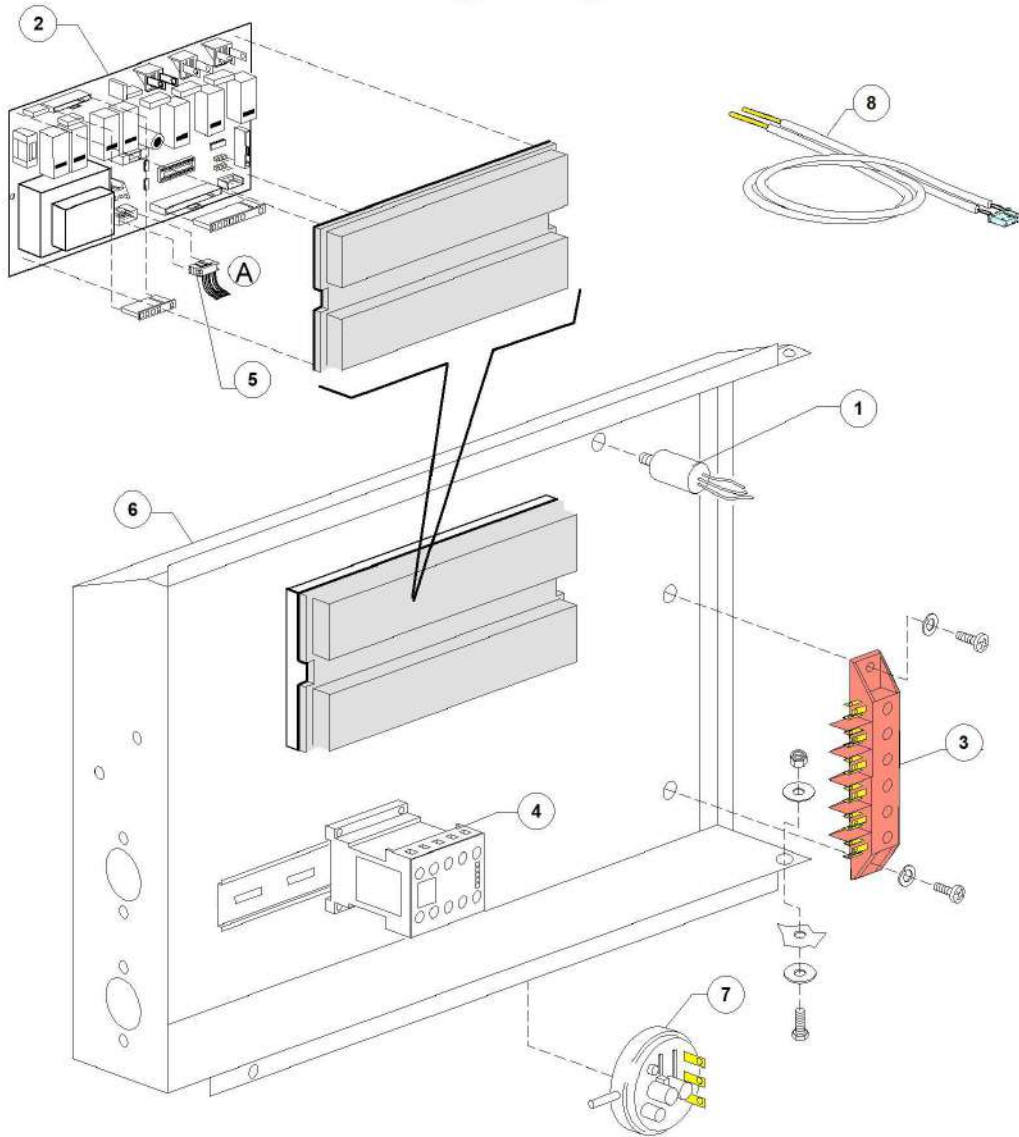
Pos.	Code	Descrizione	Description
1	DW560917	COPERCHIO ESTERNO FRONTALE INOX TEK	COVER T6.0
2	DW560919	#SCHIENALE TEKNO 6.0	BACK PANEL T6.0
3	DW560900	#CARROZZERIA TEKNO 6.0	BODYWORK TEKNO 6.0
4	DW15065/A	FISSACAVO PER VITI AUTOF (NR.2x11007)	CABLE-FASTENER WITH SCREW
5	DW560925	ASSIEME FILTRO SUPERFICE VASCA T.6	TANK SURFACE FILTER
6	DW150047	RESIST.2700/2940W 230/240V 1	2700/2940W 230/240V 1 HEATING ELEM.
7	DW560914	FIANCO DX TEKNO 6.0	RIGHT SIDE T6.0
8	DW560915	FIANCO SX TEKNO 6.0	LEFT SIDE T6.0
9	DW10786	PIEDINO M10X35 DIAM.30 NERO	M10X35 D.30 BLACK FOOT
12	DW560020	TROPPOP.CON TAPPO D'ARIA TEKNO 6 PS	OVERFLOW PIPE WITH AIR PLUG TEKNO 6.0 PS
13	DW13021	GUARNIZIONE DEM 40 PER TROPPOPP. GS	OVERFLOW PIPE GASKET DEM 40 (MIN. 2 PCS)
14	DW11711	DADO M10 ZINCATO DIN934	ZINC PLATED NUT M10 (MIN. 20PCS)
15	DW13317	PASSACAVO D.40 IN GOMMA RB38	RUBBER FAIRLEAD D.40 RB38 (MIN. 2 PCS)
16	DW13323	PASSACAVO IN GOMMA D.13	RUBBER FAIRLEAD D.13 (MIN. 2 PCS)
17	DW500606	POZZETTO CON SCARICO LATERALE DX	RIGHT SIDE SCRAP TRAY
18	DW80208	GUARNIZIONE RAMPA LP2 DIAM.95X75X3	RISER GASKET D.95X75X3 (MIN. 2 PCS)
19	DW500601	GHIERA PER POZZETTO	RING NUT
20	DW10900001	CANNA CARICO GROSSA M 1,5 EN61770	LOAD PIPE M 1,5 EN61770
24	DW250043	PIASTRINA RESISTENZA VASCA	TANK HEATING ELEMENT PLAQUE
25	DW15118	CAVO ALIMENTAZIONE 5x2,5x2500	CABLE 5x2,5x2500



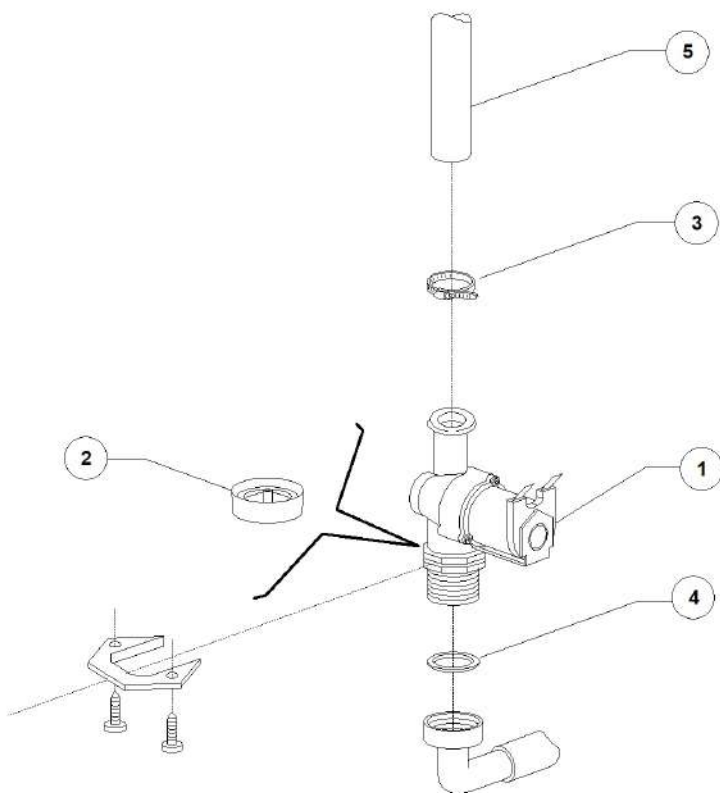
Pos.	Code	Descrizione	Description
1	DW560963	#PORTA (SENZA MANIGLIA) T.6	DOOR T6.0
2	DW560920	SOTTOPORTA TEKNO 6.0	FRONT PANEL TEKNO6
3	DW560965/N	MANIGLIA LUX60-61 NEUTRA (N)	S/S HANDLE LUX60/61 NEUTRA
4	DW10704	MICRO 16A SICUREZZA PORTA	DOOR MICROSWITCH
5	DW560003	MOLLA SPORTELLO TEK6 FILO 1,7 DE12	DOOR SPRING
6	DW560006	GOMMINO DX PER CERNIERA PORTA TEK.6	DOOR HINGE RIGHT RUBBER LOCK (MIN. 2PCS)
7	DW560007	GOMMINO SX PER CERNIERA PORTA TEK.6	DOOR HINGE LEFT RUBBER LOCK (MIN. 2PCS)
8	DW10770	ISOLANTE PER MICROSWITCH	DOOR MICROSWITCH INSULATION (MIN. 3PCS)
9	DW560021	PROFILO GUARNIZIONE PORTA T.6 E T.4	PROFILE FOR DOOR SEAL
10	DW11220	VITE INOX M4X12 BOSSARD BN5952	M4X12 S/S SCREW BN5952
11	DW11226	"DADO HS A1 M4-10 INOX "INTENSE"	S/S NUT M4



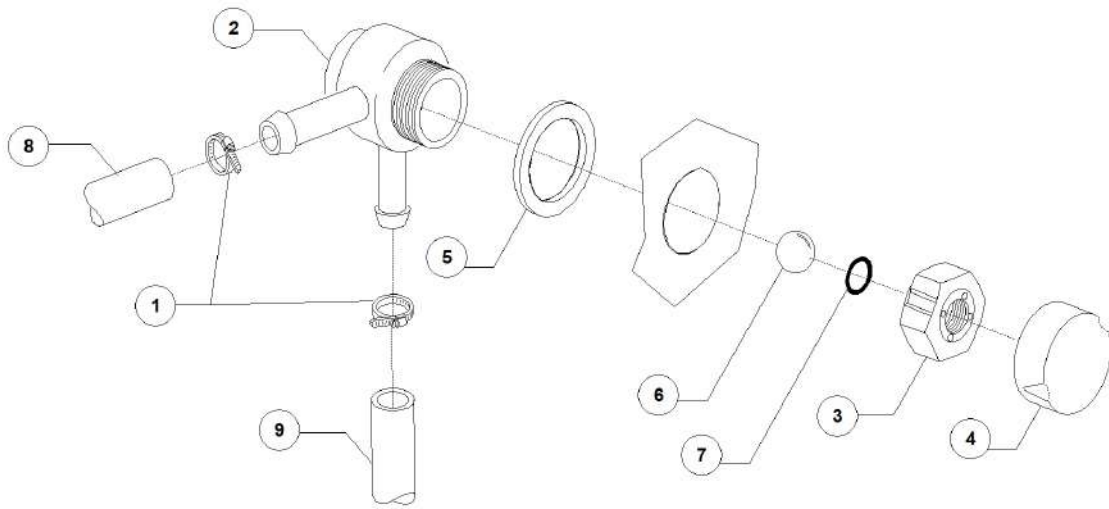
Pos.	Code	Descrizione	Description
1	DW50582	"PIATTINA MULTIFILO "F10p" L2300"	RIBBON CABLE F10p L2300
2	DW50581	"PULSANTIERA A MEMBRANA "ELITE""	PUSH BUTTON PANEL ELITE
3	DW560967	PANNELLO COMANDI LUX 60-61 EL.	CONTROL PANEL LUX 60-61 EL.
4	DW560968/A	"MOST.TAS.MEM.LUX60-85"ELITE"FULL NEUTRA"	CONTROL OVERLAY NEUTRAL BLUE
5	DW50561	DIST. SCHEDE ELETTR. 2009 D.8X10	MAINBOARD SPACER D.8X10



Pos.	Code	Descrizione	Description
1	DW15149	FILTRO ANTIDIS.F3 (CX0.47MF)	ANTI-DAMPING FILTER F3 (CX0.47MF)
2	DW50580	"#TIMER ELET."ELITE" SCHEDA MADRE"	ELECTRONIC TIMER+MAIN BOARD
3	DW500551	MORSETTIERA 6 POLI KL116/6	TERMINAL BOARD 6 POLES FV122 RED
4	DW15086	TELERUTTORE 230V 50/60Hz 4C AC3(6A)	CONTACTOR 230V 50/60Hz 4C AC3(6A)
5	DW50582	"PIATTINA MULTIFILO "F10p" L2300"	RIBBON CABLE F10p L2300
6	DW560921	PORTACOMPONENTI ELETTR.TEKNO 6.0	ELECTRIC COMPONENTS PANEL T6.0
7	DW10706/A	"PRESSOSTATO "EL." 46-26"	PRESSURE SWITCH 46-26
8	DW50562	SONDA TERMOSTATO SCHEDA DIHRECO2	THERMOSTAT PROBE DIHRECO2

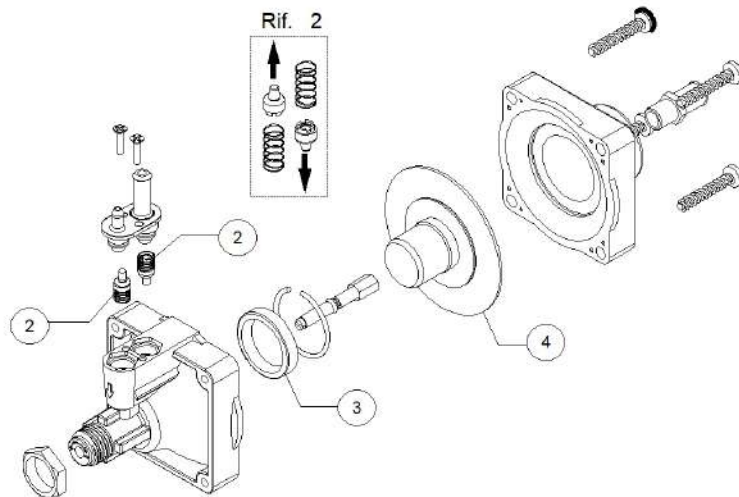
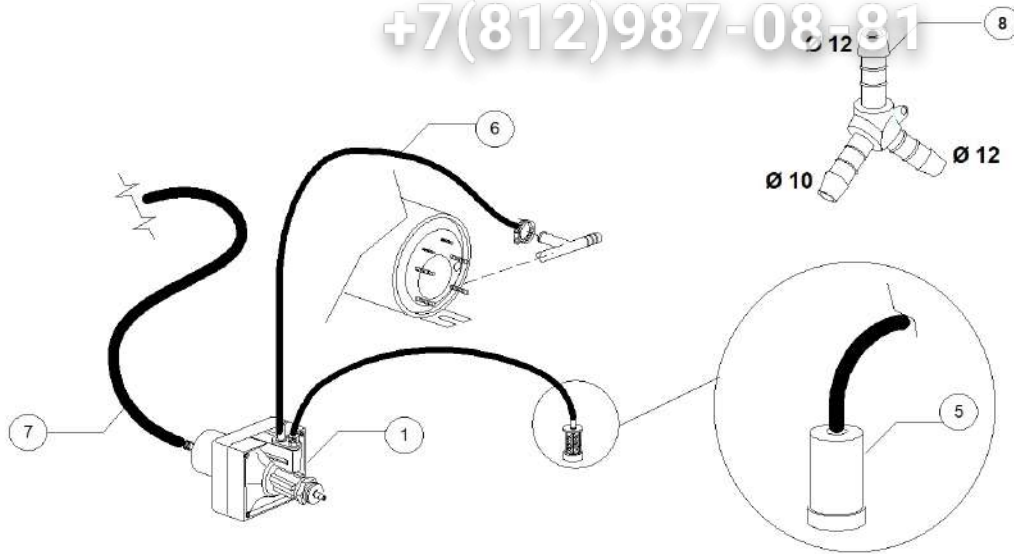


Pos.	Code	Descrizione	Description
1	DW10703	ELETTROV. SING. H2O 230V DIS.LS036	SINGLE SOLENOID VALVE H2O 230V
3	DW11807	FASCETTE AISI 430 12/22	CLAMP 12/22 AISI 430
4	DW13307	GUARNIZ. 3/4 CARICO H2O DIS.LS061	GUARNIZ. 3/4 CARICO H2O DIS.LS061
5	DW14506	TUBO GOMMA DIAM 9,5X16 EPDM	9,5X16 EPDM RUBBER PIPE
5	DW2907351	TUBO GOMMA EPDM 11,5X19	11,5X19 EPDM RUBBER PIPE

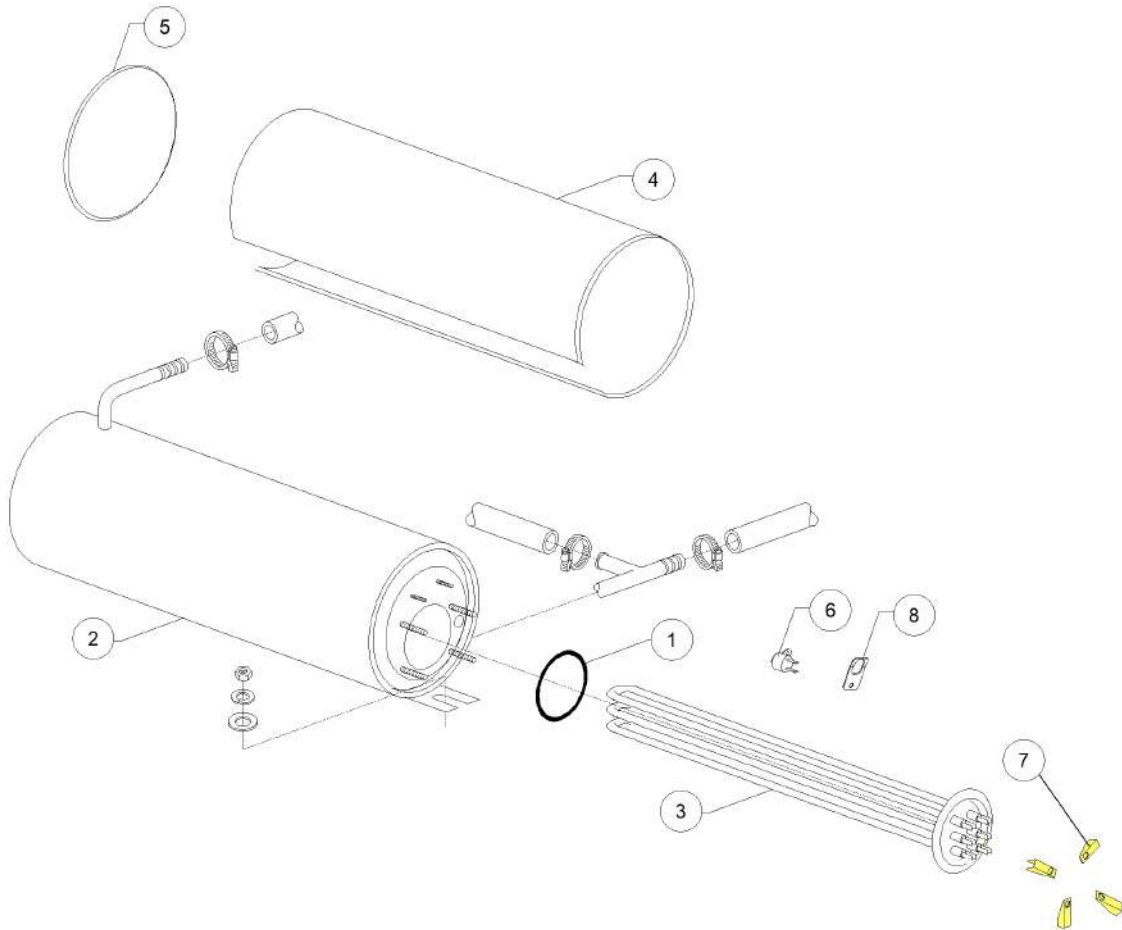


Pos.	Code	Descrizione	Description
1	DW11807	FASCETTE AISI 430 12/22	CLAMP 12/22 AISI 430
2	DW15280	CORPO CENTRALE VALVOLA DVGW 07	DRAIN VALVE CENTER BODY
3	DW15281	DADO VALVOLA DVGW 07	VALVE NUT
4	DW15282	COPRI DADO VALVOLA DVGW 07	VALVE NUT COVER
5	DW15283	GUARNIZIONE VALVOLA DVGW 07	VALVE GASKET
6	DW15284	"SFERA 5/8" VALVOLA DVGW 07"	"5/8" BALL FOR DVGW VALVE 07"
7	DW15285	GUARNIZIONE OR 115 KTW VALVOLA DVGW 07	O-RING 115 KTW
8	DW14506	TUBO GOMMA DIAM 9,5X16 EPDM	9,5X16 EPDM RUBBER PIPE
8	DW2907351	TUBO GOMMA EPDM 11,5X19	11,5X19 EPDM RUBBER PIPE
9	DW14506	TUBO GOMMA DIAM 9,5X16 EPDM	9,5X16 EPDM RUBBER PIPE
9	DW2907351	TUBO GOMMA EPDM 11,5X19	11,5X19 EPDM RUBBER PIPE
9	DW2907353	TUBO GOMMA ACQUA POTABILE 13X21	13X21 POTABLE WATER RUBBER PIPE

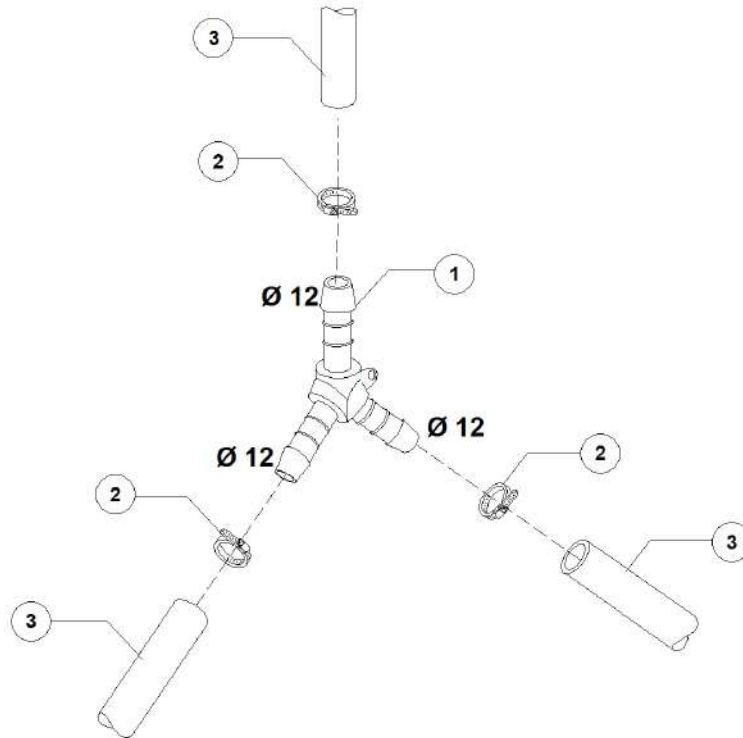
+7(812)987-08-81



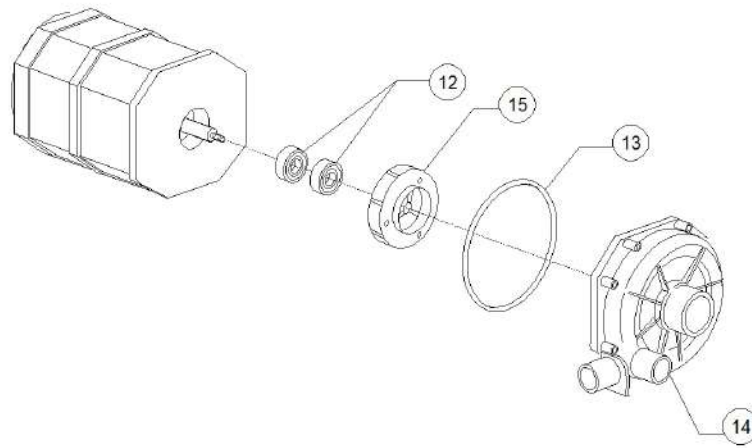
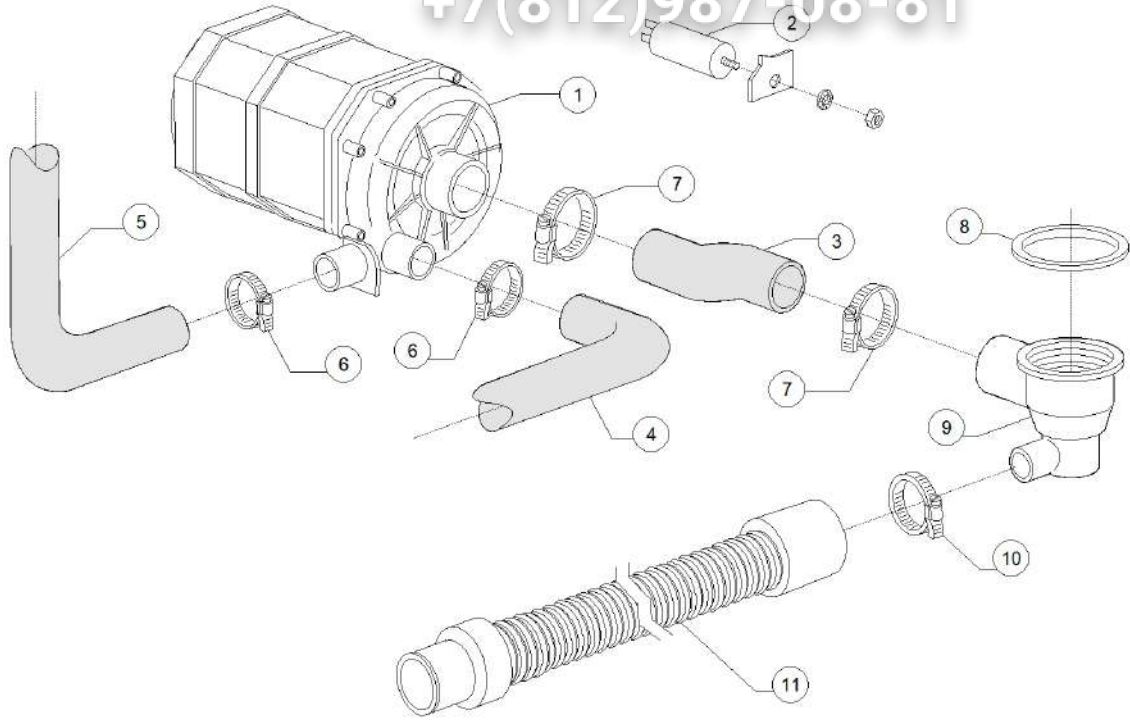
Pos.	Code	Descrizione	Description
1	DW10799	DOSATORE BRILLANTANTE (TECNO PRO)	RINSE AID DOSING PUMP
2	DW10805	VALVOLE+MOLLE(2)DOS.BRILL.TECNOPRO	TECNOPRO NON RETURN VALVE
3	DW10806	GUARNIZIONE D22 DOS.BRILL.TECNOPRO	GASKET D.22
4	DW10807	MEMBRANA X DOSATORE BRILL.TECNOPRO	MEMBRANE FOR DOSING PUMP
5	DW15058	FILTRINO CON PESO ASPIR. DET/BRIL	SMALL FILTER (MIN. 3 PCS)
6	DW10200293	TUBO EPDM 8X15 PER DOSATORE	8X15 EPDM PIPE
7	DW14506	TUBO GOMMA DIAM 9,5X16 EPDM	9,5X16 EPDM RUBBER PIPE



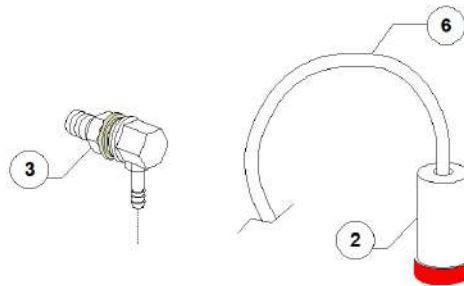
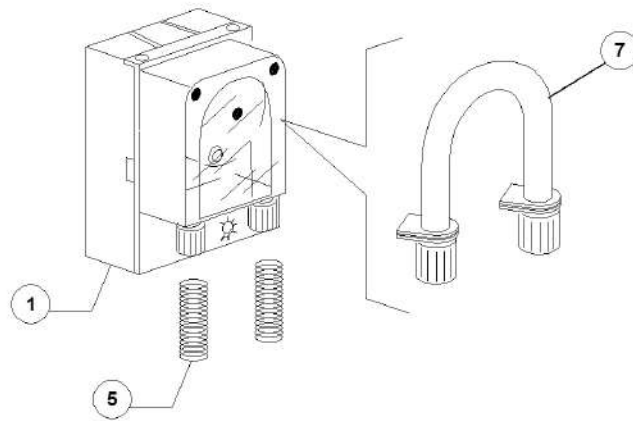
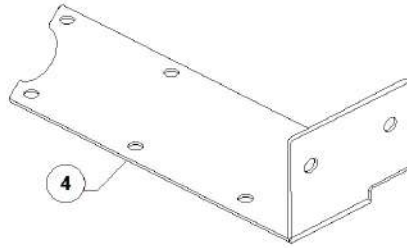
Pos.	Code	Descrizione	Description
1	DW13015	GUARNIZIONE 6225 OR 160 NBR	6225 O-RING 160 NBR
2	DW150905	"BOILER "SERIE 50" (AISI 304)"	BOILER 50 (AISI 304)
3	DW15089/E	RESIST.6000/6530W 230/240V 3 L378	6000/6530W 230/240V 3 L378 HEATING ELEM
4	DW15066	COIBENTE PER BOILER G500	BOILER INSULATING G500
5	DW15205	DISCO IN ESPANSOLENE AUTOESTIN. D.138X3	INSULATING DISK D.138
6	DW15550	TERMOSTATO SICUR. CONTATTO KLIXON	KLIXON SAFETY THERMOSTAT
7	DW16045	STAFFE FISSAGGIO RESIST.FORO 6.3	HEATING ELEMENT MOUNTING BRACKET D.6,3



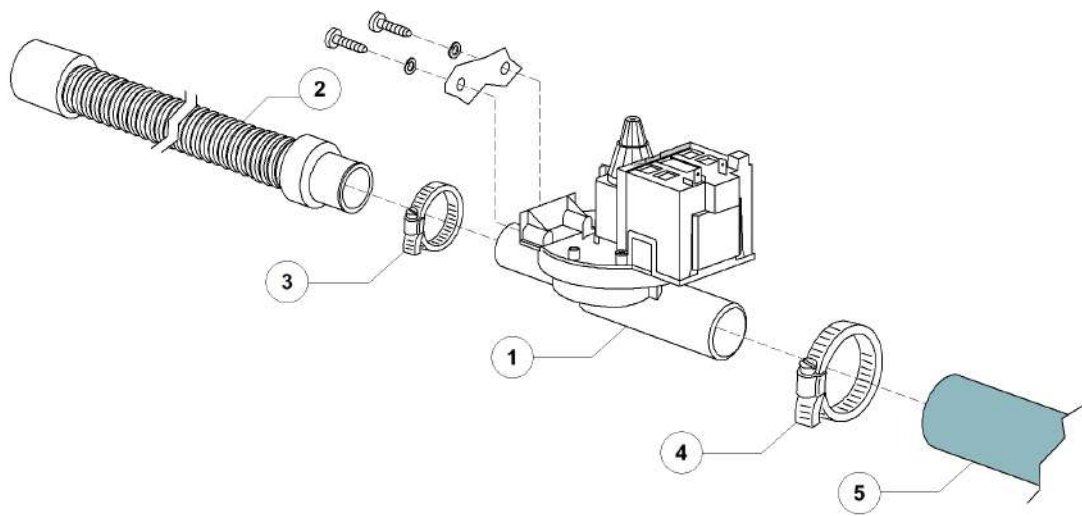
Pos.	Code	Descrizione	Description
1	DW540091	DERIV. 3VIE Y D12 PLASTICA	PLASTIC Y-PIECE D.12
2	DW11807	FASCETTE AISI 430 12/22	CLAMP 12/22 AISI 430
3	DW2907351	TUBO GOMMA EPDM 11,5X19	11,5X19 EPDM RUBBER PIPE



Pos.	Code	Descrizione	Description
1	DW150914	POMPA HP0.7 TIPO 50 230V.50Hz CON F	PUMP HP0.7 230V/50HZ
2	DW15081	CONDENSATORE 12.5 uF.	12,5 UF CONDENSER
3	DW25032/A	MANICOTTO ASPIRAZ.GS50 DIAM.60/50	SUCTION PIPE COUPLING
4	DW560014	TUBO MANDATA POMPA TORR.INF.LAV T.6	PUMP/LOWER WASH TURRET DELIVERY PIPE
5	DW150048/A	TUBO MANDATA SUP. GS50	TOP DELIVERY PIPE GS50
6	DW11806	FASCETTE AISI 430 25/40	CLAMP 25/40 AISI 430
7	DW11824	FASCETTA AISI 430 50-70	CLAMP 50/70 AISI 430
8	DW80208	GUARNIZIONE RAMPA LP2 DIAM.95X75X3	RISER GASKET D.95X75X3 (MIN. 2 PCS)
9	DW500606	POZZETTO CON SCARICO LATERALE DX	RIGHT SIDE SCRAP TRAY
10	DW11807	FASCETTE AISI 430 12/22	CLAMP 12/22 AISI 430
11	DW10727	CANNA SCARICO mt.1.5 D.24 PICCOLA	DRAIN HOSE 1,5MT D.24
12	DW15080	PREMISTOPA+CONTROFACCIA	ROTATING SEALS
13	DW7130	#GUARNIZIONE OR POMPA	OR PUMP O-RING (MINIMUM 2 PIECES)
14	DW16182	#CHIOCCIOLA POMPA HP0.5 D.50X30	SCROLL
15	DW15079/F	GIRANTE POMPA HP0.70 D.91C. GS50	PUMP ROTOR 0,70HP D.91

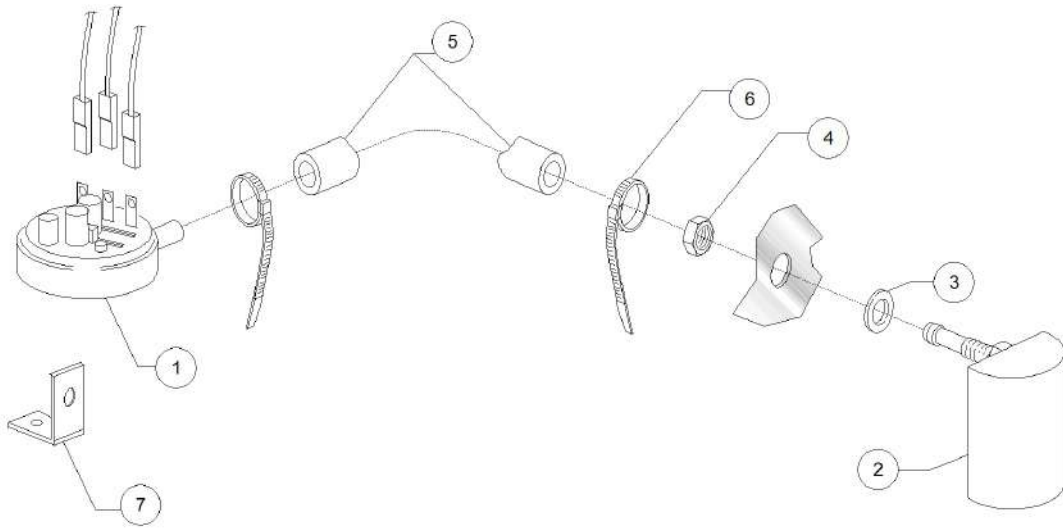


Pos.	Code	Descrizione	Description
1	DW15985	DOS.ELETT.DET REGOLABILE 0-3LT/H	DETERGENT DOSING PUMP 0-3L/H
2	DW15058	FILTRINO CON PESO ASPIR. DET/BRIL	SMALL FILTER (MIN. 3 PCS)
3	DW15123	INIETTORE DETER. A GOMITO INOX	S/S DOSING PUMP INJECTOR
5	DW10763	MOLLA D.05 INOX PER TUB. D.6x4 PVC	PIPE S/S SPRING
6	DW14503	TUBO PVC DIAM.6x4 TRASPARENTE	D.6X4 PVC TRANSPARENT HOSE
7	DW15108/E	TUBO TERMOPLASTICO DDE GERMAC	GERMAC DISPENSER THERMOPLASTIC HOSE
7	DW15185	TUBO MEMBRANA DDE SEKO DET.	SEKO DISPENSER THERMOPLASTIC HOSE
7	DW15297	TUBO MEMBRANA DDE SEKO 04/2013	SEKO DISPENSER THERMOPLASTIC HOSE
7	DW15297/T	TUBO TERMOPLASTICO DDE TECNOPRO	TECNOPRO DISPENSER THERMOPLASTIC HOSE
7	DW15985/A	#TUBO TERMOPLASTICO DDE MICRODOS	MICRODOS THERMOPLASTIC PIPE



METOS LUX 60 EL PS XP DDE 380-400/3N/50 - DWD1009064 - Drain pump group - DW029E

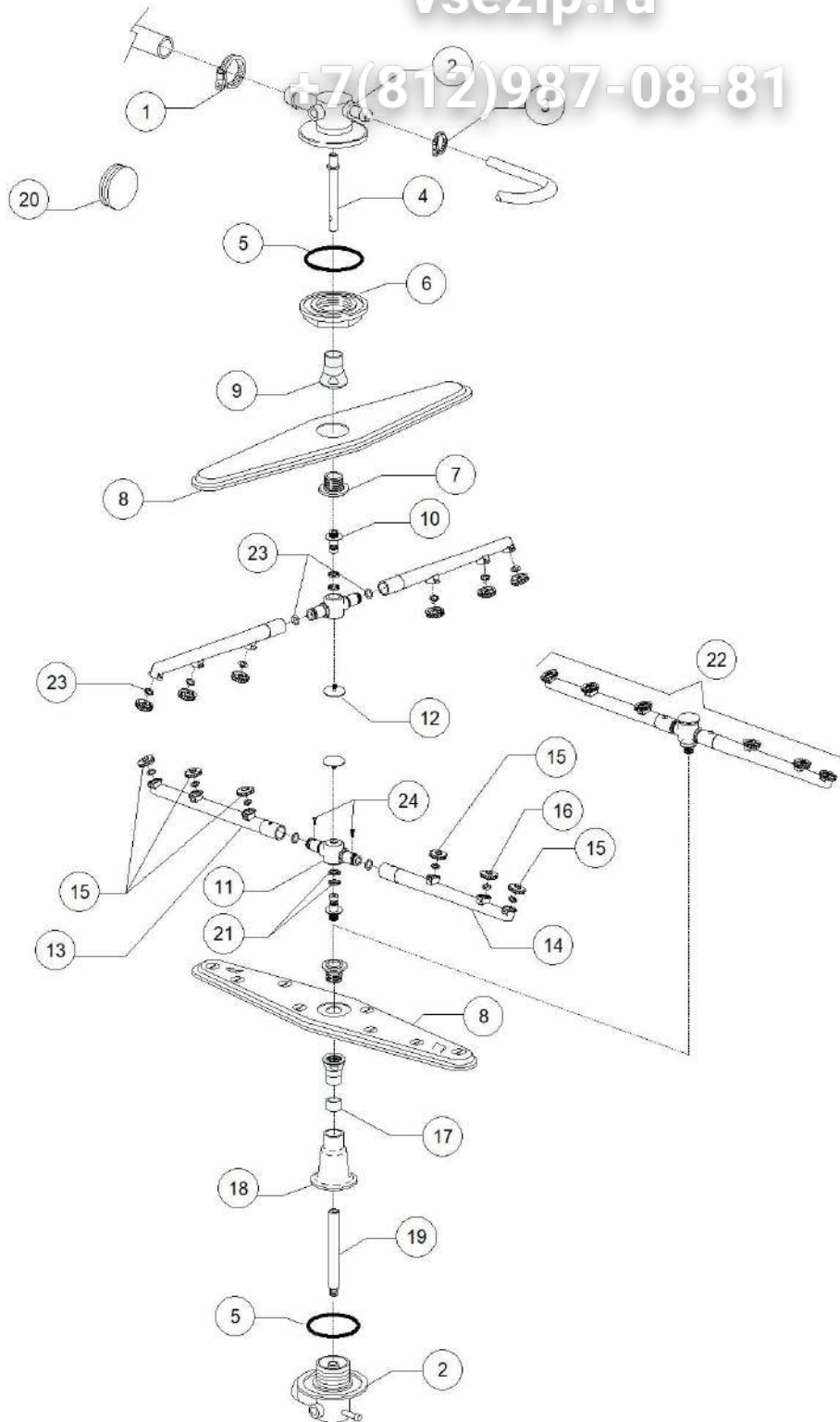
Pos.	Code	Descrizione	Description
1	DW15101/A	POMPA SCARICO 220/24050HZ(AGG.DW15101/F)	DRAIN PUMP 220-240V/50HZ(ADD DW15101/F)
2	DW10727	CANNA SCARICO mt.1.5 D.24 PICCOLA	DRAIN HOSE 1,5MT D.24
3	DW11836	FASCETTA INOX 20/32	S/S CLAMP 20/32
4	DW11806	FASCETTE AISI 430 25/40	CLAMP 25/40 AISI 430
5	DW15101/D	MAN.COMP.USCITA PS 28x22 L21	PIPE COUPLING 28X22 L21



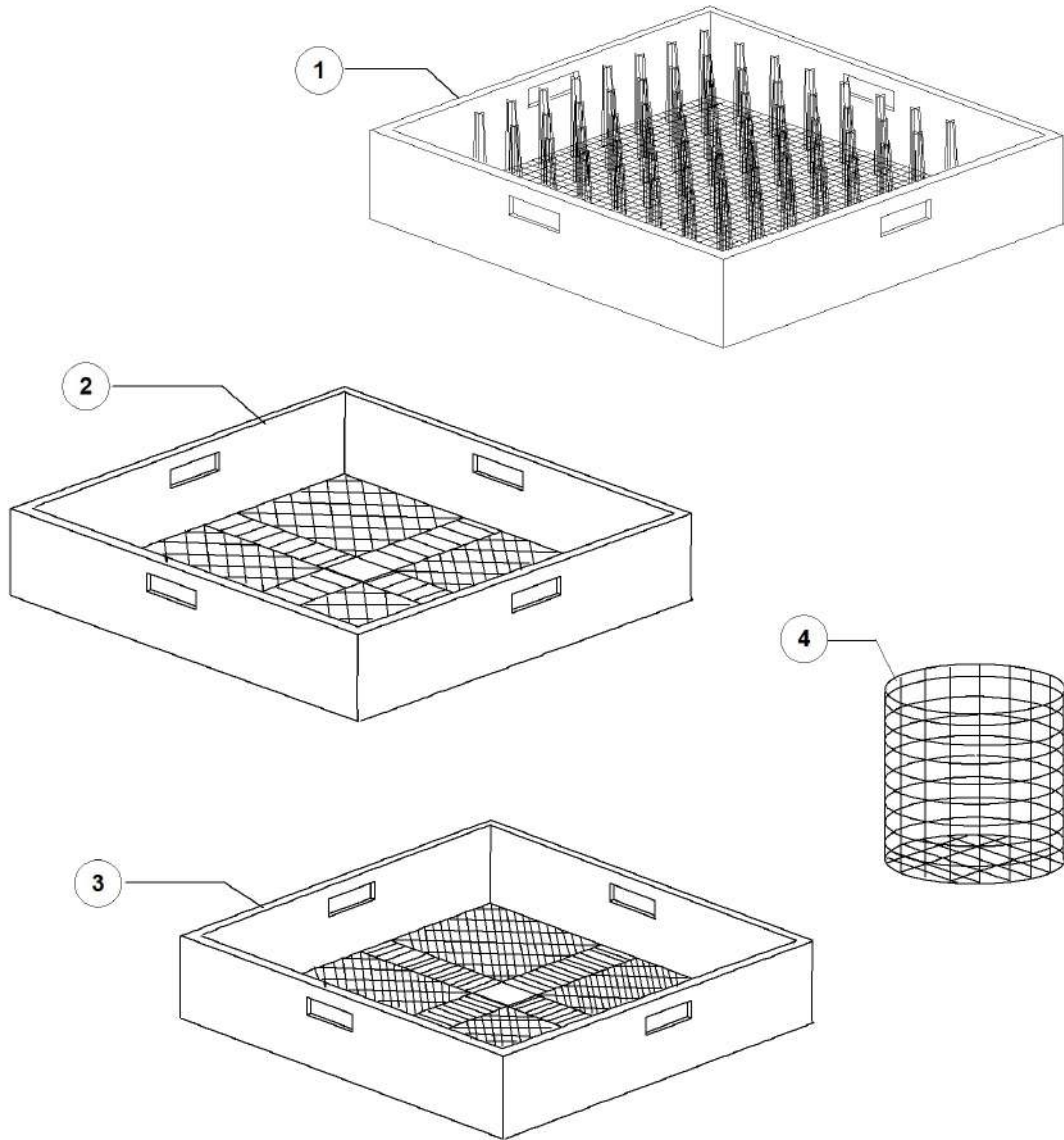
Pos.	Code	Descrizione	Description
1	DW10706/A	"PRESSOSTATO "EL." 46-26"	PRESSURE SWITCH 46-26
2	DW135911/D	ASSIEME GABBIA D'ARIA GRIGIA L56	GREY AIR TRAP ASSEMBLY L56
3	DW13301	GUARNIZ. IN ROLMART D14x8x1,5	O-RING ROLMART D14X8X1,5
4	DW11702	DADO M8 INOX UNI5588 DIN934	S/S NUT M8 DIN934 (MIN. 20 PCS)
5	DW14508	TUBO EPDM 4.5X9 PER PRESSOSTATO	EPDM HOSE 4.5X9 FOR PRESSURE SWITCH
6	DW10738	FASCETTA PLASTICA 98X2.5	PLASTIC CLAMP 98X2,5
7	DW135314	STAFFA PRESSOSTATO SERIE K	PRESSURE SWITCH SUPPORT

vsezip.ru

+7(812)987-08-81



Pos.	Code	Descrizione	Description
1	DW11806	FASCETTE AISI 430 25/40	CLAMP 25/40 AISI 430
2	DW500612	TORRETTA SUP./INF. GS GRIGIO	WASH ARMS LOWER / UPPER SUPPORT GS
3	DW11807	FASCETTE AISI 430 12/22	CLAMP 12/22 AISI 430
4	DW500703	ASSE RISC.SUP.D16X40 GIR.INOX 05	RINSE UPPER AXE D.16X40 S/S ROTOR 05
5	DW13015	GUARNIZIONE 6225 OR 160 NBR	6225 O-RING 160 NBR
6	DW500623	GHIERA FISS.TORRETTA TIPO 28 GS GRI	FASTENING RING NUT FOR TURRET
7	DW500702	MOZZO GIRANTE PLASTICA 05	HUB FOR PLASTIC ROTOR 05
8	DW500700	GIRANTE LAVAGGIO INOX 05	S/S WASH ROTOR
9	DW500701	GHIERA GIRANTE PLASTICA 05	PLASTIC RING NUT FOR S/S ROTOR
10	DW10651	ASSE RISCIAQUO/03	RINSE AXLE 03
11	DW75920/A	MOZZO PER GIRANTE RISCIAQUO 2009	HUB FOR RINSE ROTOR 2009
12	DW10652	VITE RISCIAQUO/03	RINSE ARM SCREW
13	DW75920/D	TUBO RISC. DX GRIGIO 2009	
14	DW75920/S	TUBO RISC. SX GRIGIO 2009	GREY LEFT RINSE ARM 2009
15	DW10371	TESTA UGEL. RISC. 95 APER. GRIG.(MIN 10)	OPENED RINSE NOZZLE (BATCH 10PCS)
16	DW10372	TESTA UGEL.RISC.95 CHIU. GRIGIO (MIN 10)	CLOSED RINSE NOZZLE (BATCH 10PCS)
17	DW75321	DISTANZ.PER MOZZO 11S 98 SU GIR.INF	SPACER FOR HUB
18	DW500706	MANICOTTO INF.L85mm GRIGIO	LOWER PIPE COUPLING L85
19	DW500705	ASSE RISC.INF.D16X98 GIR.INOX 05	LOWER RINSE AXLE D.16X98 S/S ROTOR 05
21	DW75920/B	ANELLI TENUTA MOZZO RISCIAQUO 2009	
22	DW75920	GRUPPO RISC.SUP/INF 2009	UPPER/LOWER RINSE ASSEMBLY 2009
23	DW13002	GUARNIZIONE OR R6 NBR	O-RINGR R6 NBR (MIN. 10 PCS)
24	DW11004	VITE TCB D.8 DENTATA 4X10 SPAX	4X10 TCB D.8 SPAX TOOTHED SCREW



Pos.	Code	Descrizione	Description
1	DWC40	CESTO PIATTI PLASTICA 50X50	PLASTIC PLATES BASKET 500X500
2	DWC44	CESTO BICCHIERI MAGL.LARGA PLASTICA	500X500 LARGE MESH GLASS BASKET
3	DWC41	CESTO POSATE MAG.STRETTA PLASTICA	CUTLERY BASKET - TIGHT MESH (PLASTIC)
4	DW15060	INSERTO CUCCHIAINI GRANDI DIS.G.060	CUTLERY BASKET

Зип Общепит

vsezip.ru

+7(812)987-08-81

