



Зип Общепит

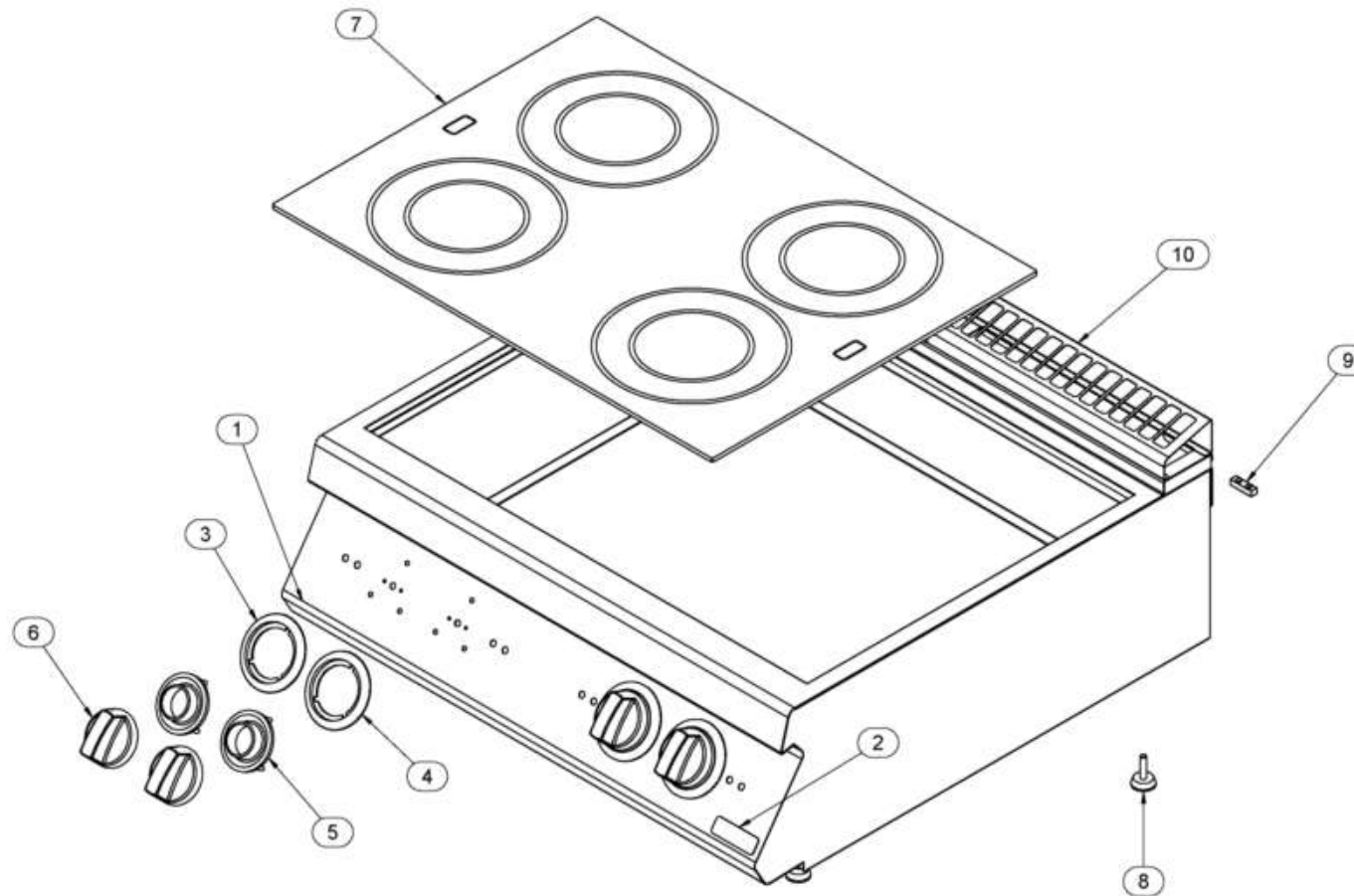
vsezip.ru

EXPLODED VIEW TOP EXTERIOR

+7(812)987-08-81
Mod /Type 70/... 90/... IND...
FROM: 10.03.2014 TO:...

cod./num. 2532145.00

data/date: 30/04/2015





Зип Общепит

EXPLODED VIEW TOP EXTERIOR

vsezip.ru

+7(812)987-08-81

Pos.	Code	Description	From	To
0001	9111750.00	ASS.CRUSCOTTO 90/30 IND VS		
0002	682.008.00	MODULAR LOGO 70X22	1/1/2014	5/11/2015
0002	682.008.13	MARCHIO "modular" 70x22 AL. RAL2002	5/12/2015	
0003	910.171.00	GHIERA SERIGRAF.COMETA MIN-MAX ANT.		
0004	910.172.00	GHIERA SERIGRAF.COMETA MIN-MAX POST		
0005	256.218.00	LABYRINTH BLACK KNOB		
0006	951.071.00	EL.KNOB Ø6 D74 ANOD.PK		
0007	655.016.00	VETROCERAMICO 745X550X6 EM		
0008	951.083.00	PIEDINO D25 M8 H(FILETTO) 54		
0009	941.130.00	PIASTRINA GIUNZIONE POST.APP.EM		
0010	9211777.14	GRIGLIA CAMINO PK		



Зип Общепит

EXPLODED VIEW TOP

vsezip.ru

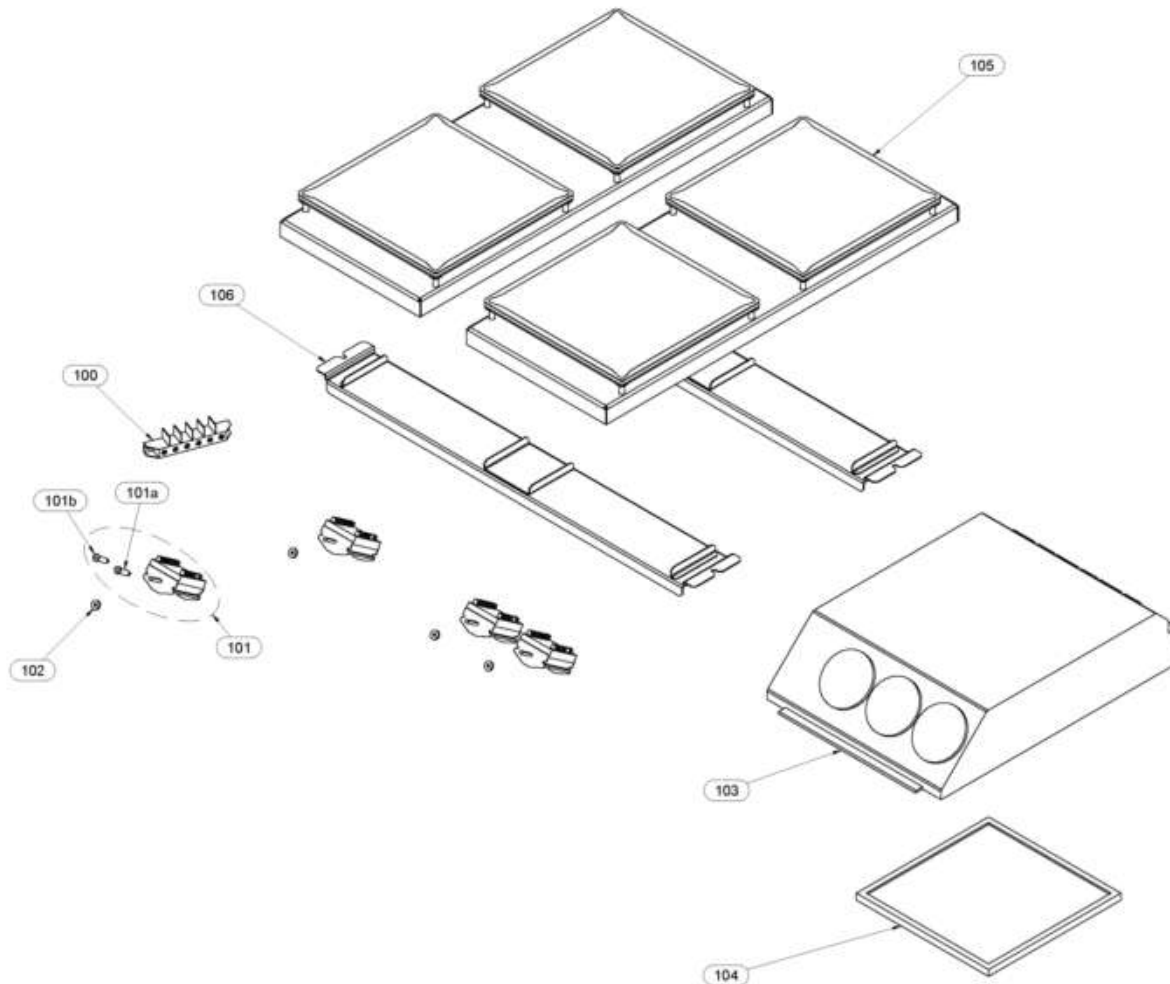
+7(812)987-08-81

Mod./Type: _70/... - _90/... IND...

cod./num. 2531818.00

FROM: 10.03.2014 - TO: ...

data/date: 09/12/2014





Зип Общепит

EXPLODED VIEW TOP

vsezip.ru

+7(812)987-08-81

Pos.	Code	Description	From	To
0100	963.007.00	MORSETT. FV122 V/V - 6 POLI 40A****		
0101	961.042.00	CHANGE-OVER SWITCH + CABLE		
0102	953.020.00	WASHER		
0103	667.003.00	MODULO QP 4x3,5 kW-78.99140.100		
0104	643.007.00	FILTRO 270x270xH12		
0105	667.004.00	VASSOIO INDUTTANZE Ø220		
0106	256.421.00	KIT SUPP. VASS. 70/80 IND +RIV+DIST		
101a	963.015.00	LAMPADA D.8.5 IND. ROSSA E.G.O.		
101b	963.016.00	LAMPADA D.8.5 IND. VERDE E.G.O.		



Зип Общепит

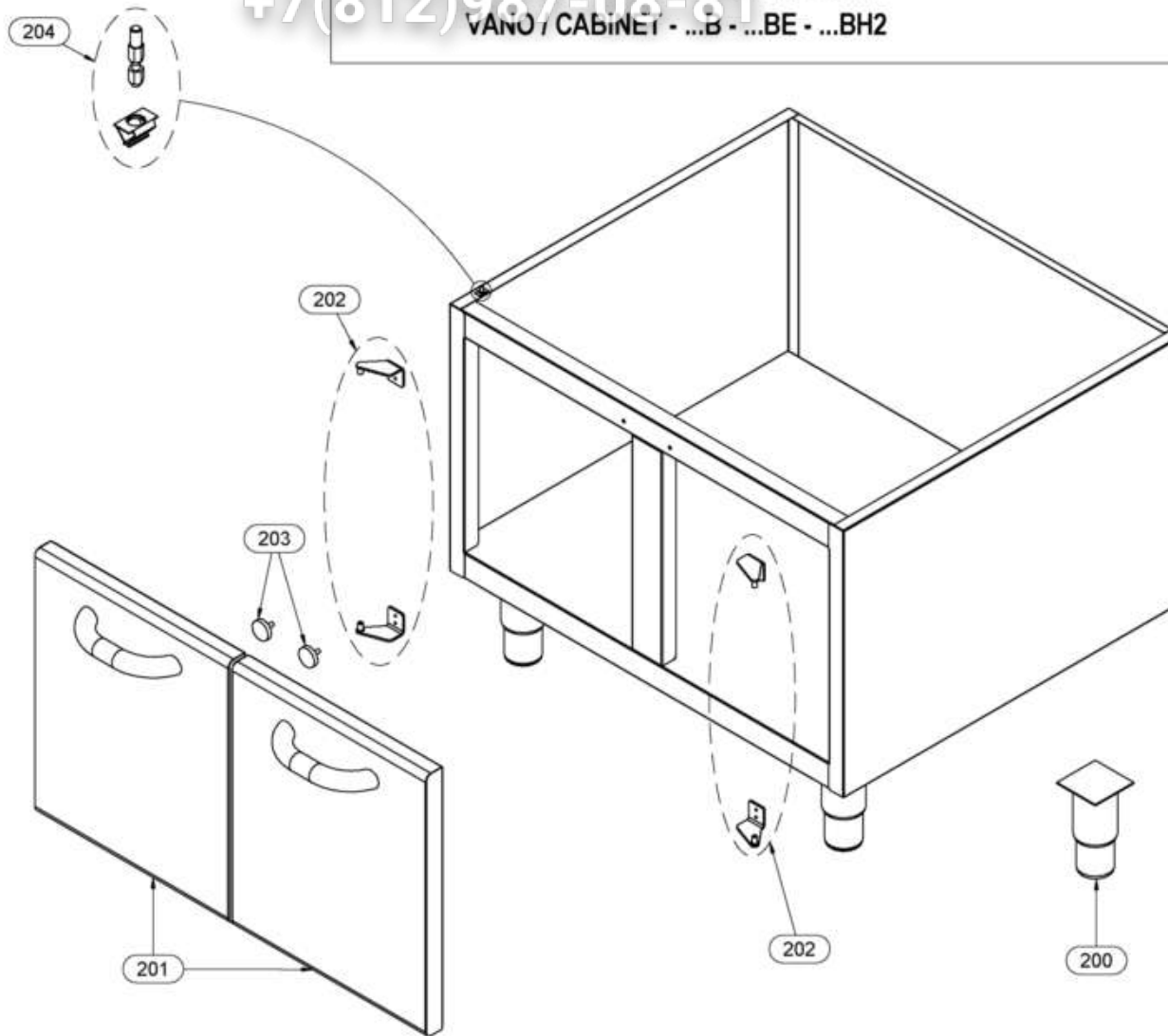
EXPLODED VIEW CABINET/OVEN EXTERIOR

vsezip.ru

Mod./Type: 70...90.../10.../90.../120...
+7(812)987-08-81
VANO / CABINET - ...B - ...BE - ...BH2

cod./num. 2531775.00

data/date: 05/11/2014





Зип Общепит

EXPLODED VIEW CABINET/OVEN EXTERIOR

vsezip.ru

+7(812)987-08-81

Pos.	Code	Description	From	To
0200	912.090.14	ASS.PIEDINO 2" H.135 FLANG.78x78x2		
0201	256.380.00	KIT ASS. PORTA VANO M40 PRAJKA		
0202	256.216.00	KIT ASS. CERNIERE X PORTA M40+BOCC.		
0203	984.006.00	MAGNET Ø20XH6 - M5X15 - 10KG		
0204	256.431.00	KIT AGGANCIO BASE VANO PERNO+MOLLA		