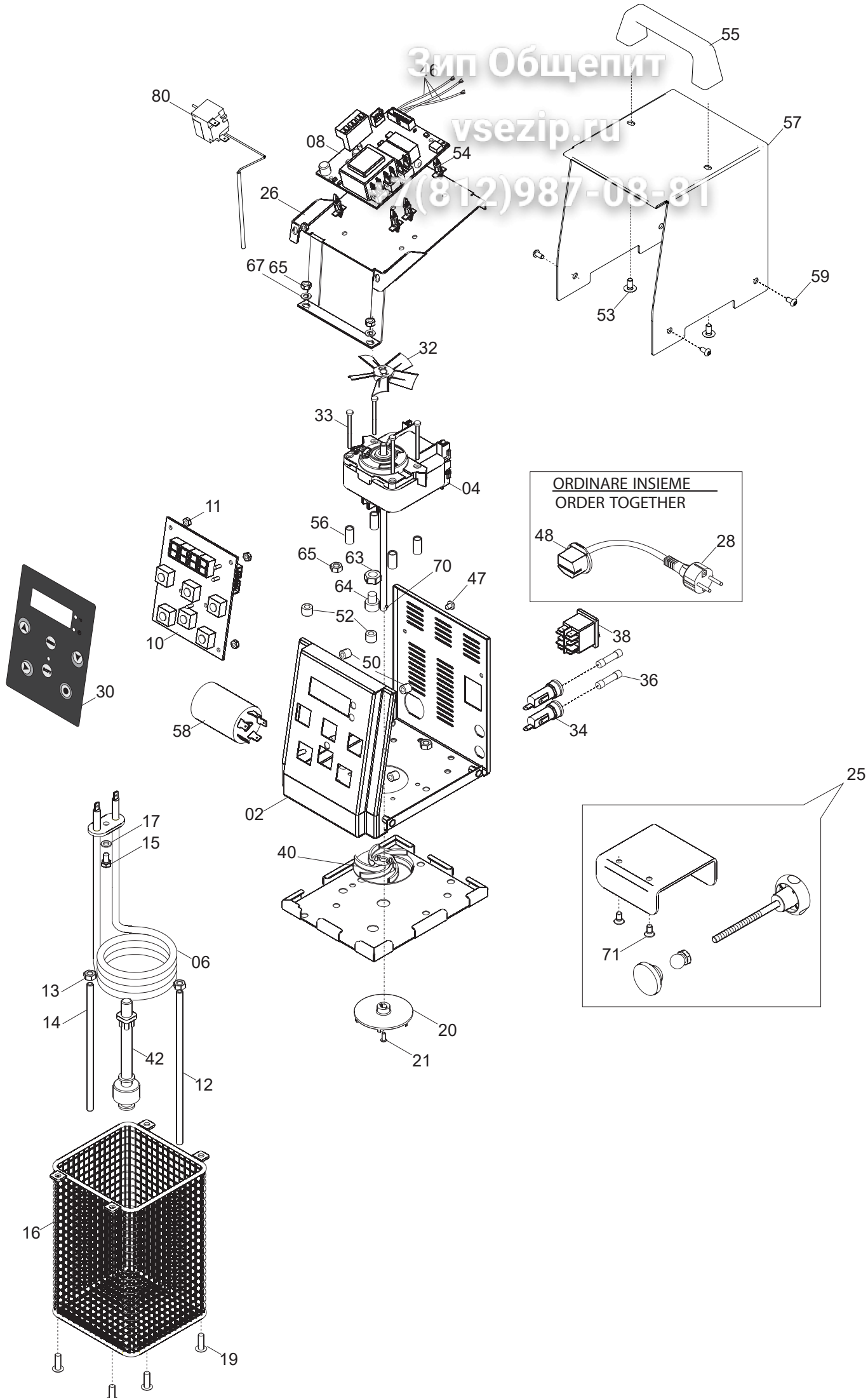


Zip Общепит

vsezip.ru

(812)987-08-81



| Ref. | Product name | Code | Q |
|------|--|--------------------------|----|
| | FRAME _ SOFTCOOKE | | |
| 2 | R Y09 MOTOR | GM2486450 | 1 |
| | SOFTCOOKE | | |
| 4 | R Y09 RESIST. | GM5036100 | 1 |
| | SOFT COOKER 2000W 230V. | | |
| 6 | ETL SCHEDA | GM5256850 | 1 |
| | SOFT | | |
| 8 | COOKER XP CONTROL BOARD + CORD | GM5946420 | 1 |
| | SOFTCOOKE | | |
| 10 | R HEX.NUT | GM5946350 | 1 |
| 11 | DIN 934 M 4 THERMOST AT PROBE FOR | IX2934004 | 10 |
| | SOFTCOOKE | | |
| 12 | R 09 HEX.NUT | GM5826100 | 1 |
| 13 | DIN 934 M 6 SAFETY PROBE 10K FOR | IX2934006 | 10 |
| | SOFTCOOKE | | |
| 14 | R 09 HEX.SCREW | GM5826150 | 1 |
| | DIN 933 M5 | IX293300501 | |
| 15 | X 10 METAL WIRES PROTECTIO N, SOFT | 0 | 10 |
| 16 | COOKER WASHER | GM3047100 | 1 |
| 17 | DIN 125 D 5 PAN HEAD SCREW DIN | IX2125005 IX279850050 | 10 |
| 19 | 7985 M5X10 SPOKED IMPELLER SOFTCOOKE | 10 | 10 |
| 20 | R 09 HEX.SCREW | GM5036870 | 1 |
| | DIN 933 M | IX293300300 | |
| 21 | 3X06 | 6 | 10 |

Зип Общепит

Sheet1

vsezip.ru

+7(812)987-08-81

| | | | |
|----------|--|------------------|----|
| 25 | CLAMP _ SOFTCOOKE R | GM2492000 | 1 |
| 28+48 | CABLE 3X1,5 SCHUKO- SOFTCOOKE R Y09 | GM5506300 | 1 |
| 28+48 CN | CAVO STERILIZZA TORE SPINA CINESE | GM5506815 | 1 |
| 30 | MOSTRINA SOFT COOKER SIRMAN | GM8153830 | 1 |
| 32 | MOTOR FAN - SOFTCOOKE R Y09 | GM5036850 | 1 |
| 33 | VITE TCEI DIN 912 M 3X40 | IX291200304 0 | 10 |
| 34 | FUSE HOLDER 15A 250V_SOFTC OOKER 09 | GM5846050 | 1 |
| 36 | FUSE 6,3X32 12,5A_ SOFTCOOKE R Y09 | GM5846055 | 1 |
| 38 | ON/OFF SWITCH COMELUX 401/L | 19410102 | 1 |
| 40 | LOWER FAN, SOFT COOKER | GM5036875 | 1 |
| 42 | WATER LEVEL SENSOR | GM2210200 | 1 |
| 46 | ASSIEME CABLAGGIO SOFTCOOKE R XP | GM2492120 | 1 |
| 48 | STRAIN RELIEF PA107 | GM5893030 | 1 |
| 50 | SPACER DCK R 4280 _ SOFTCOOKE R Y09 | GM4696255 | 10 |

| | | | |
|-------|-------------|--------------|----|
| | SPACER | | |
| | DCK R 52100 | | |
| | - | | |
| 52 | SOFTCOOKE | | |
| | R Y09 | GM4696275 | 10 |
| | SPACER | | |
| | CF06H4080 | | |
| | MM | | |
| 54 | 08_SOFTCOO | | |
| | KER | GM4696300 | 5 |
| | S/STEEL | | |
| | HANDLE _ | | |
| | SOFTCOOKE | | |
| 55 | R Y09 | GM2486040 | 1 |
| | GREY | | |
| | HANDLE _ | | |
| | SOFTCOOKE | | |
| 55 GR | R Y09 | GM2486060 | 1 |
| | BRASS | | |
| | SPACER MM | | |
| | 8X16 _ | | |
| | SOFTCOOKE | | |
| 56 | R | GM4296235 | 5 |
| | COVER _ | | |
| | SOFTCOOKE | | |
| 57 | R Y09 | GM2486135 | 1 |
| | FILTER DEM | | |
| | "FLC470501F | | |
| 58 | " | GM5947200 | 1 |
| | S/S CROSS | | |
| | SCREW M | IB77VBCR04 | |
| 59 | 4X10 | X10 | 10 |
| | BUSH _ | | |
| | SOFTCOOKE | | |
| 64 | R Y09 | GM2486170 | 1 |
| | HEX.NUT | | |
| 65 | DIN 934 M 5 | IX2934005 | 10 |
| | WASHER | | |
| 67 | DIN 125 D 5 | IX2125005 | 10 |
| | SPINA | | |
| | ELASTICA | | |
| | DIN 1481 | IX21481001.5 | |
| 70 | 1,5X8 | 008 | 10 |
| | VITE TSPEI | | |
| | DIN 7991 M | IX279910050 | |
| 71 | 5X10 | 10 | 10 |
| | TERMOSTAT | | |
| | O | | |
| | SOFTCOOKE | | |
| 80 | R ETL | GM5866125 | 1 |