

Зип Общепит

vsezip.ru



GBF-5P, GBF-10, AND GBF-20SC DESMON BLAST CHILLER/FLASH FREEZERS REPLACEMENT PARTS LIST

EFFECTIVE FEBRUARY 9, 2016

Superseding All Previous Parts Lists.

The Company reserves the right to make substitution in the event that items specified are not available.

ERRORS: Descriptive and/or typographic errors are subject to correction.

BLODGETT OVEN COMPANY

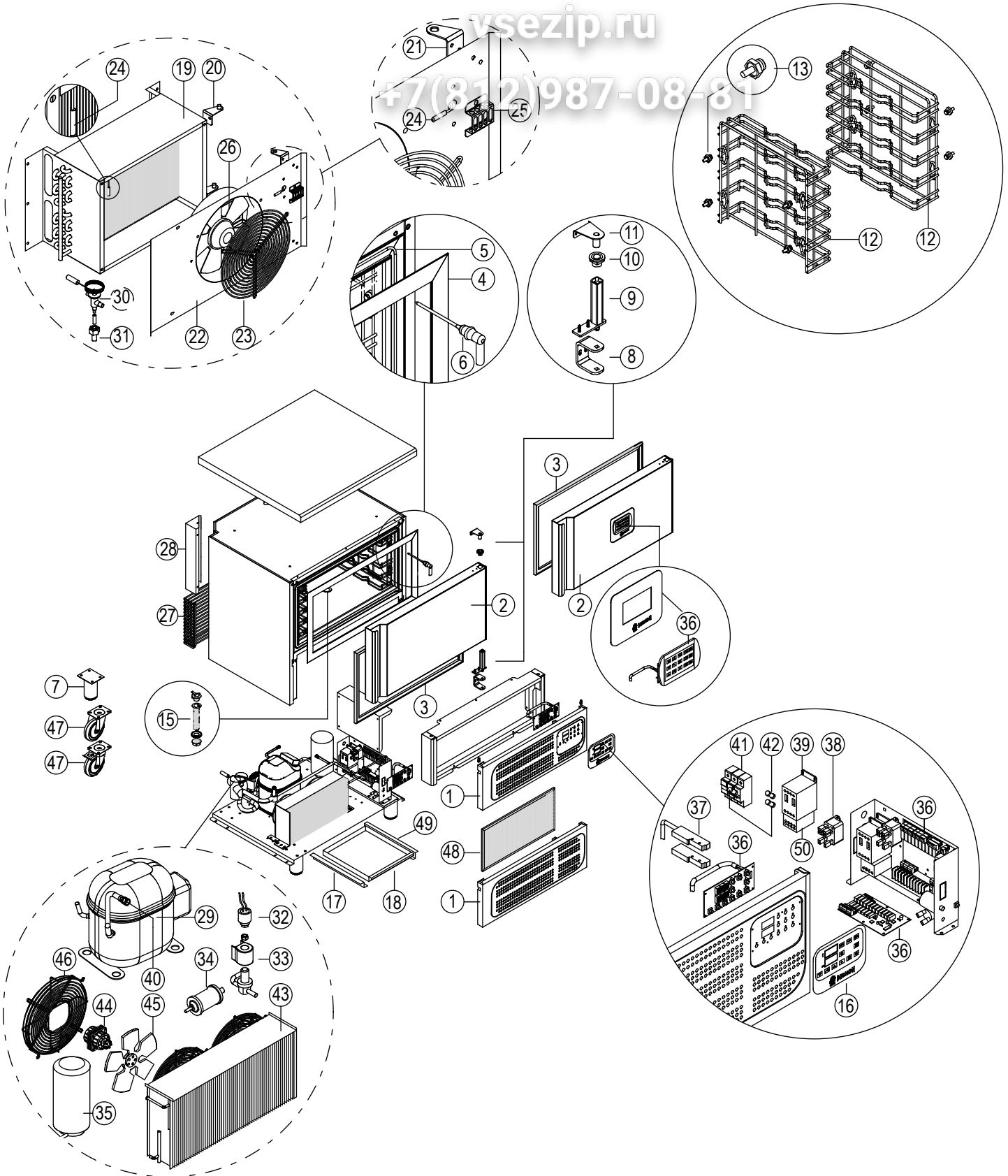
44 Lakeside Avenue, Burlington, Vermont 05401 USA Telephone: (802) 658-6600 Fax: (802) 860-3732
www.blodgett.com

P/N 80100 Rev A

Зип-Общепит

vsezip.ru

+7(812)987-08-81



GBF-5P

Зин Общепит

vsezip.ru

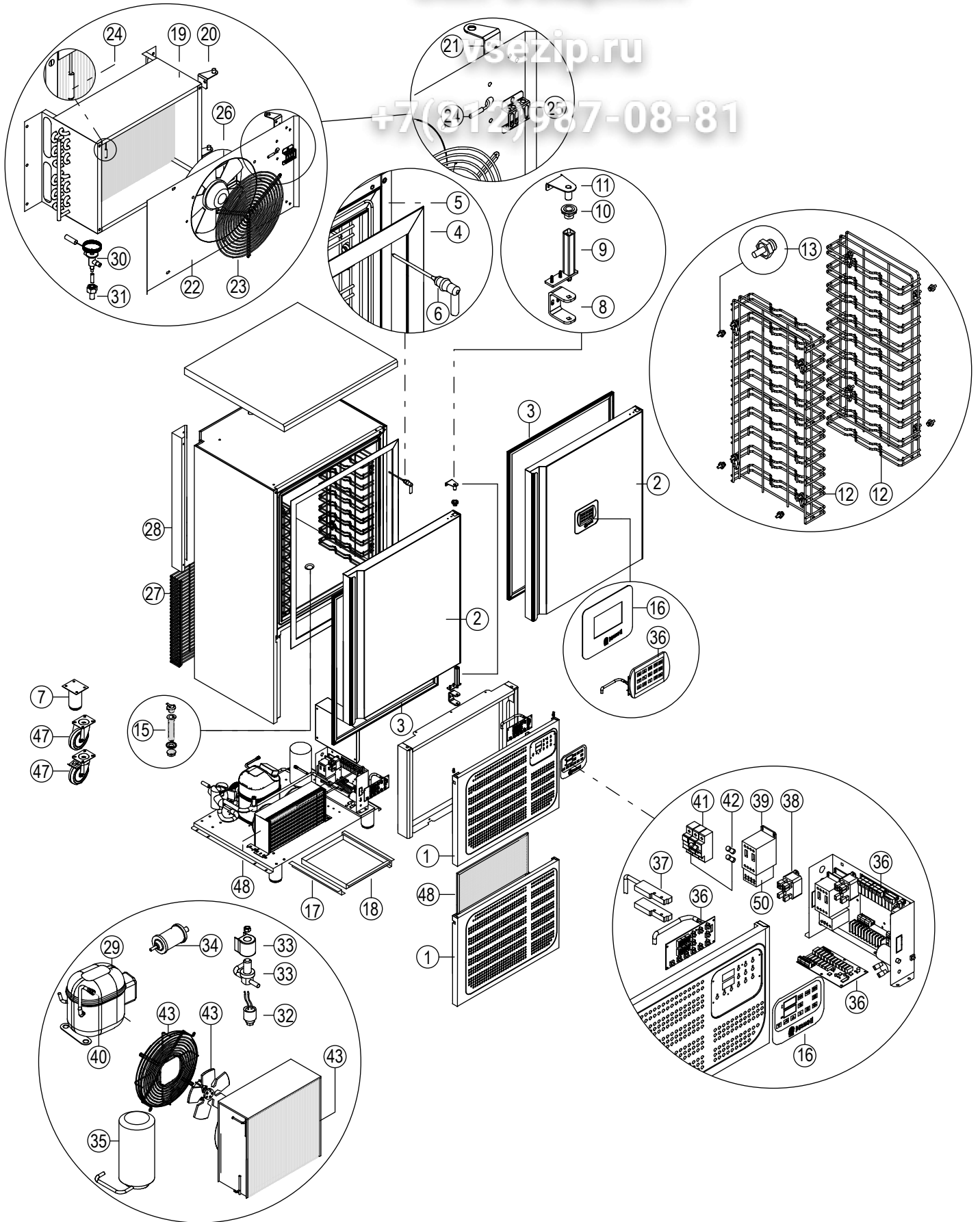
+7(812)987-08-81

Ref. No.	Part No.	Description	Ref. No.	Part No.	Description
1	80027	FRONT PANEL GBF-5 (NO KEYBOARD, TS ON DOOR)	36	80019	KIT TOUCH SCREEN (INCLUDING PLASTIC FRAME)
2	80029	DOOR ASSY GBF-5 TS RIGHT HAND HINGED	37	80020	MAGNETIC SENSOR E5301CUL0294
2	80030	DOOR ASSY GBF-5 TS LEFT HAND HINGED	39	80065	CONTACTOR BF250022050 220V/50/60HZ
3	80031	DOOR GASKET GBF-5G MM.383X730	40	80066	COPPER VALVE 1/4 MM.300 VC-500-09
4	80032	PLASTIC STRIP COVER	41	80067	FUSE BOX 10.3x38(UL)
5	80033	CORD HEATER 4W/M L2380 115V/UL	42	80068	FAST FUSE 10x38 600V AC 30A UL
6	80099	NEEDLE PROBE MULTICORE TS Pt1000	43	80069	CONDENSER COIL SFT16251 10060166
8	80035	REV. UPPER DOOR BRACKET BLAST CH.	44	80070	EL.MOTOR 16W-30-2 115V 60HZ UL-CSA
9	80036	HINGE WITH SPRING&STOP CT4000F	45	80071	FAN BLADE 230-26-5 ASP.STVF 139-93
10	80037	NYLON BUSH FOR HINGE D.32 HOLE 14.2	46	80072	AIR DUCT CF24 W/GRILL
11	80038	UPPER HINGE W/PIV. GBF-5	47	80073	CASTER KIT GBF-5G/P
12	80039	SHELVE RACK (1 PC) GBF-5 ETL	48	80074	CONDENSER FILTER
13	80040	STEEL PIN FIX GRID BLASTCHILLER ETL			
15	80041	DRAINING PIPE BLAST CHILLER			
15	80042	DRAINING PIPE'S PLUG			
16	80043	DESMON BLAST CHILLER DECAL			
17	80044	LEFT HAND DRIP TRAY RUNNER GBF-5, NEW			
18	80045	DRIP TRAY 4LT GBF-5G/P NEW WELD			
19	80046	EVAPORATOR COIL GBF-5			
20	80047	WELD.LOWER BRACKET EVAP.U.BLAST NEW			
21	80048	SUP HINGE BRACKET EVAP. GBF-15G			
22	80049	FAN MOTOR HOLDER GBF-5 W/OUT UV			
23	80050	FAN FINGUER GUARD 250 mm			
24	80010	NTC PROBE 3MT SN691300			
25	80011	PROBE GUARD BLAST.GBF-5G/P NEW			
26	80053	FAN MOTOR A2E250-AL08-12 115V 50/60			
27	80054	REAR GRIDDLE GBF-5			
28	80055	REAR CORNER COVER GBF-5			
29	80056	COMPRESSOR HU CAJ2464Z-A 115/60HZ			
30	80057	THERM.VALV.TES2 C/MOP-16EQ.EST. OR01			
32	80058	HIGH PRESSURE SWITCH NSDHA00B39111			
33	80059	SOLENOID VALVE EVR10 3/8 ODF10MM			
33	80060	DIN COIL ZB09 304011 110-120V/60Hz			
34	80061	FILTER DRIER			
35	80062	LIQUID RECEIVER RT-312V-TS 1,36LT			

GBF-10

vsezip.ru

+7(812)987-08-81



GBF-10

Зин Общепит

vsezip.ru

+7(812)9870888

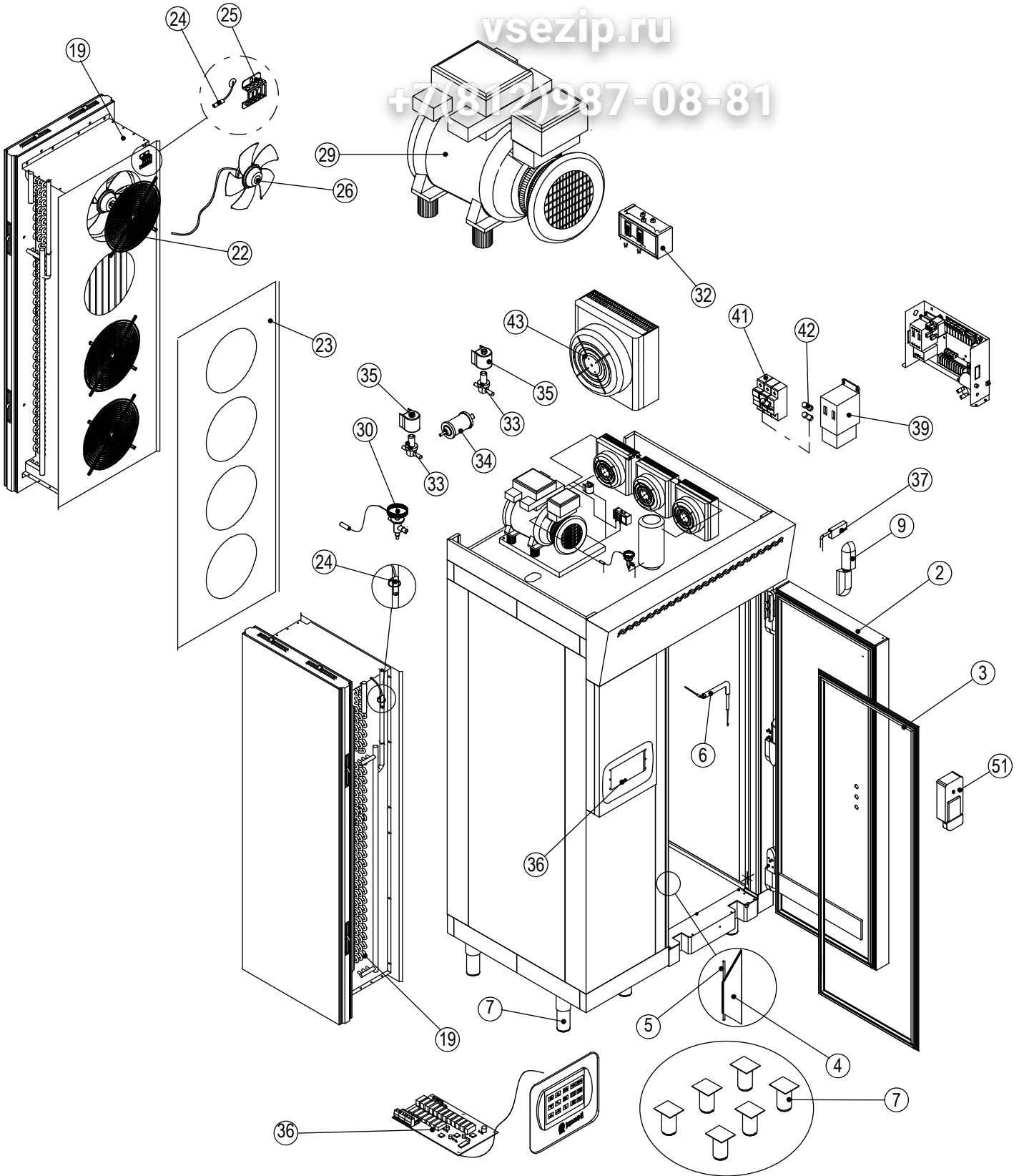
Ref. No.	Part No.	Description	Ref. No.	Part No.	Description
1	80027	FRONT PANEL GBF-10(NO KEYBOARD, TS ON DOOR)	33	80091	VALVE EVR10 ODF12MM
2	80080	DOOR ASSY GBF-10 TS RIGHT HAND HINGED	34	80092	FILTER DRI ER ODS 163S 10MM
3	80081	DOOR GASKET GBF-10	35	80093	LIQUID RECEIVER RT 512V-TR 3,50LT
4	80032	PLASTIC STRIP COVER	36	80016	KIT TOUCH SCREEN (INCLUDING PLASTIC FRAME)
5	80082	FRAME HEATER 44W 220V L4400 CAB+ET139	37	80044	MAGNETIC SENSOR E5301CUL0294
6	80004	HEATED NEEDLE PROBE MULTICORE TS	39	80065	CONTACTOR BF250022050 220V50/60HZ
8	80035	REV. UPPER DOOR BRACKET BLAST CH.	40	80066	COPPER VALVE 1/4 MM.300 VC-500-09
9	80036	HINGE WITH SPRING&STOP CT4000F	41	80067	FUSE BOX 10.3x38(UL)
10	80037	NYLON BUSH FOR HINGE D.32 HOLE 14.2	42	80094	FAST FUSE 10x38 500V AC 20A UL
11	80038	REV. UPPER DOOR BRACKET BLAST CH.	42	80068	FAST FUSE 10x38 600V AC 30A UL
12	80039	SHELVE RACK (1 PC) GBF-10 ETL	43	80095	CONDENSER ASSY
13	80040	STEEL PIN FIX GRID BLASTCHILLER ETL	47	80096	KIT CASTORS GALV/ST.CABINET 700 GOL
15	80042	DRAINING PIPE'S PLUG	48	80097	CONDENSER FILTER
15	80041	DRAINING PIPE BLAST CHILLER	50	80098	THERMAL RELAY RF38 1400 9-14A
17	80083	WATER DRAINING TRAY RUNNER			
18	80084	MANUAL CONDENSATE PAN 540X240X70			
19	80085	EVAPORATOR BLAS.GBF-10 DIS.10026886			
20	80047	WELD.LOWER BRACKET EVAP.U.BLAST NEW			
21	80048	SUP HINGE BRACKET EVAP. GBF-15G			
22	80086	FAN MOTOR HOLDER GBF-10 W/OUT UV NEW			
23	80008	S/S FINGUER GUARD 300mm			
24	80010	NTC PROBE 3MT SN691300			
25	80011	PROBE GUARD BLAST.GBF-5G/P NEW			
26	80012	EL.MOT. R09E-3030HA-4M-2553 D300			
27	80087	REAR GRIDDLE GBF-15G			
28	80088	REAR CORNER COVER GBF-10 NEW			
29	80089	COMPRESSOR TFH2511Z-K 220V60Hz			
30	80090	THERM.VALV.TES2 C/MOP-16EQ.EST. OR03			
32	80058	HIGH PRESSURE SWITCH NSDHA00B39111			

СВГ-20SC

Сиг Общепит

vsezip.ru

+7(812)987-08-81



GBF-20SC

Сип Общепит

vsekip.ru

+7(812)987-08-97

Ref. No.	Part No.	Description	Ref. No.	Part No.	Description
2	80000	DOOR ASSY 621X1740X80	30	80014	TX VALVE R404a 2230/M12SE
3	80001	DOOR GASKET 1927x850	32	80015	HIGH/LOW PRESSURE SWITCH C17H4758B01
4	80002	PVC PROFILE "MONOESTRUSO" R4192 6MT	33	80016	SOLENOID VALVE EVR10 3/8 ODF12MM
5	80003	FRAME HEATER 15W/M L.5550mm	34	80017	FILTER DRIER ODS 304S 12MM
6	80004	HEATED NEEDLE PROBE MULTICORE TS	35	80018	DIN COIL ZB09 304051 208-240/60UL
7	80005	S/S LEG 85X100 R.188-288	36	80019	KIT TOUCH SCREEN (INCLUDING PLASTIC FRAME)
9	80006	DOOR HINGE WITH FLAG H45/67	37	80020	MAGNETIC SENSOR E5301CUL0294
19	80007	EVAPORATOR COIL GBF-20GN1/1	39	80021	CONTACT.LOV.BF3800A230 38A230V50/60
22	80008	INOX RACK 530X635 CABINET DEPTH80	41	80022	FUSE BOX CL.J 600V60A 3/P ULCH60J3
23	80009	FAN HOLDER PANEL 300mm GBF-20GN1/1	42	80023	RAPID FUSE 45A CL.J600V ULIKS
24	80010	NTC PROBE 3MT SN691300	43	80024	CONDENSER ASSY STVF 273 082046101
25	80011	PROBE GUARD BLAST.GBF-5G/P NEW	51	80025	DOOR HANDLE ACTIVA 80 MM
26	80012	EL.MOT. R09E-3030HA-4M-2553 D300			
29	80013	COMPR.FRASCOLD D2-15Y 230/3/60UL			