

SP 405-605

Зип-Общепит

vsezip.ru

Electronic modular flaker

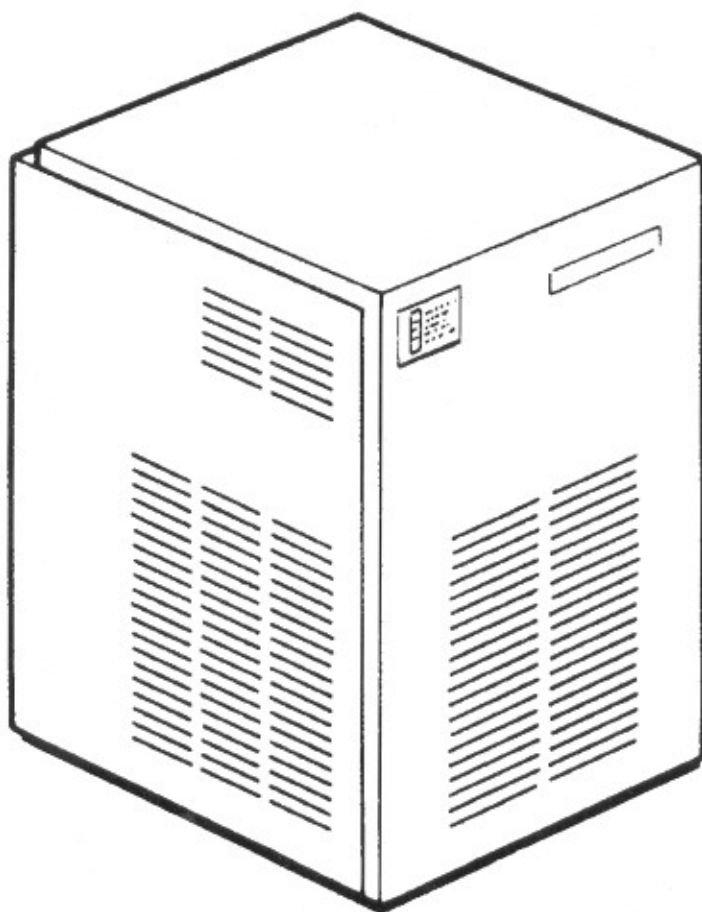
+7(812)987-08-81

Spare parts list

Catalogo ricambi

Catalogues pièces détachées

Ersatzteilkatalog



SIMAG

PAGE
PAGINA
PAGE
SEITE

TABLE OF CONTENTS

Зип-Общепит

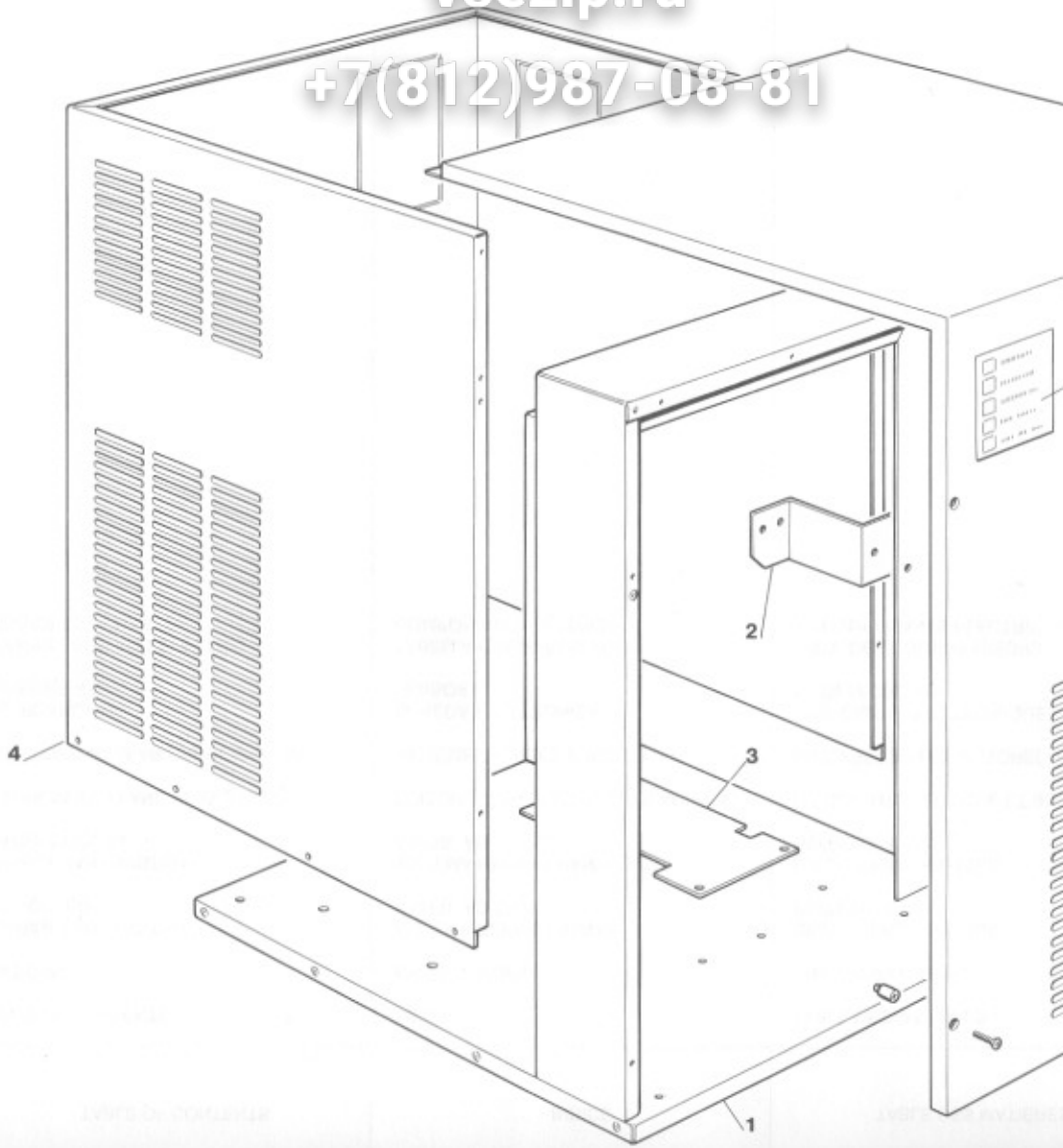
TABLE DES MATIÈRES

PAGE PAGINA PAGE SEITE	TABLE OF CONTENTS	INDICE	TABLE DES MATIÈRES
1	TABLE OF CONTENTS	INDICE	TABLE DES MATIÈRES
2-3	UNIT PANELS	ASSIEME MOBILE	ENS. CARROSSERIE
4-5	REFRIGERANT SYSTEM AIR COOLED	CIRCUITO REFRIGERANTE RAFFR. AD ARIA	CIRCUIT FRIGORIFIQUE REFROID. A AIR
6-7	REFRIGERANT SYSTEM WATER COOLED	SISTEMA REFRIGERANTE RAFFR. AD ACQUA	CIRCUIT FRIGORIFIQUE REFROID. A EAU
8-9	WATER SYSTEM AND INSULATIONS	CIRCUITO IDRAULICO ED ISOLAMENTI	CIRCUIT HYDRAULIQUE ET INSULATIONS
10-11	FREEZER AND GEAR REDUCER ASSY	ASSIEME FREEZER E RIDUTTORE	ENS. FREEZER ET MOTOREDUCTEUR
12-13	P.C. BOARD AND SENSORS ASSY	SCHEDA ELETTRONICA E SENSORI	ENS. CARTE ELECTRONIQUE ET DETECTEURS
14	COMPRESSOR AND ELECTRIC COMPONENT CHARTS	TABELLA COMPRESSORI E COMPONENTI ELETTRICI	LISTE DES COMPRESSEURS ET COMPOSANTS ELECTRIQUE

Зип Ощепит

vsezip.ru

+7(812)987-08-81



SP 405 - SP 605 - UNIT PANELS - ASSIEME MOBILE - ENS. CARROSS

Зип Общепит

vsezip.ru

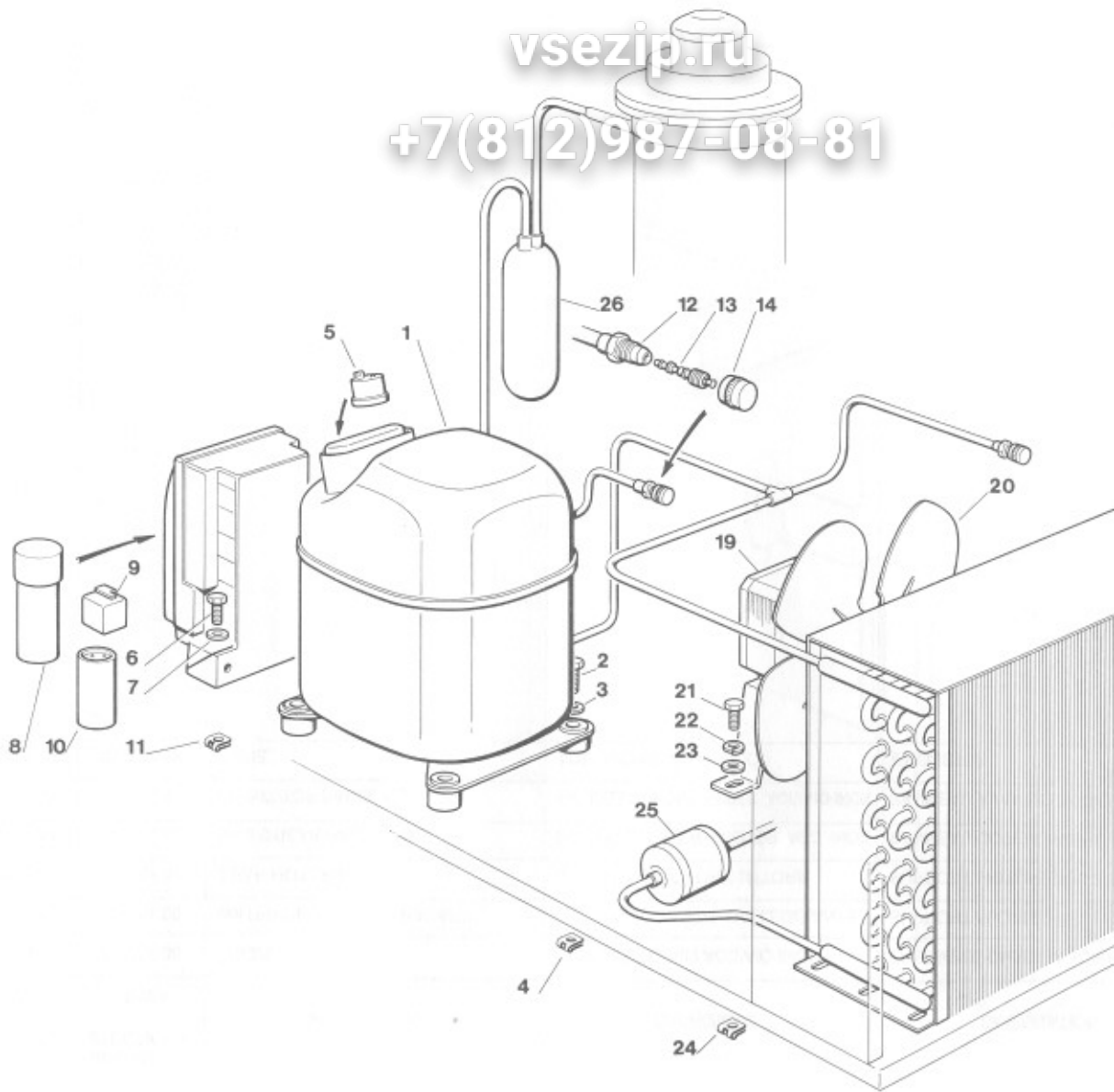
+7(812)987-08-81

ITEM NO POS NO REP. NO REF. NO	PART NO - CODICE REFERENCE - STUECK NR		DESCRIPTION	DESCRIZIONE	
	SP 405	SP 605			
1	781398 00	781398 00	FRAME ASSY S.S.	ASSIEME TELAIO ACCIAIO INOX	ENSAMBLE
2	703221 00	703221 00	WATER RESEPOIR BRACKET	SUPPORTO VASCH. GALLEGGIANTE	SUPPORT F
3	704231 01	704231 01	GEAR MO OF B.S.E	SUPPORTO MOT. RIDUTTORE	SUPPORT M
4	702133 03	702132 03	SIDES/REAR PANEL S.S.	PANNELLO LATER./POSTER. ACC. INOX	PANNEAU C
5	702136 13	702136 17	FRONT/TOP PANEL S.S.	PANNELLO FRONT./SUPER. ACCIAIO INOX	PANNEAU A
6	650624 12	650624 12	LABEL	ADESIVO SEGNALETICO	ETIQUETTE

Зип Ощепит

vsezip.ru

+7(812)987-08-81



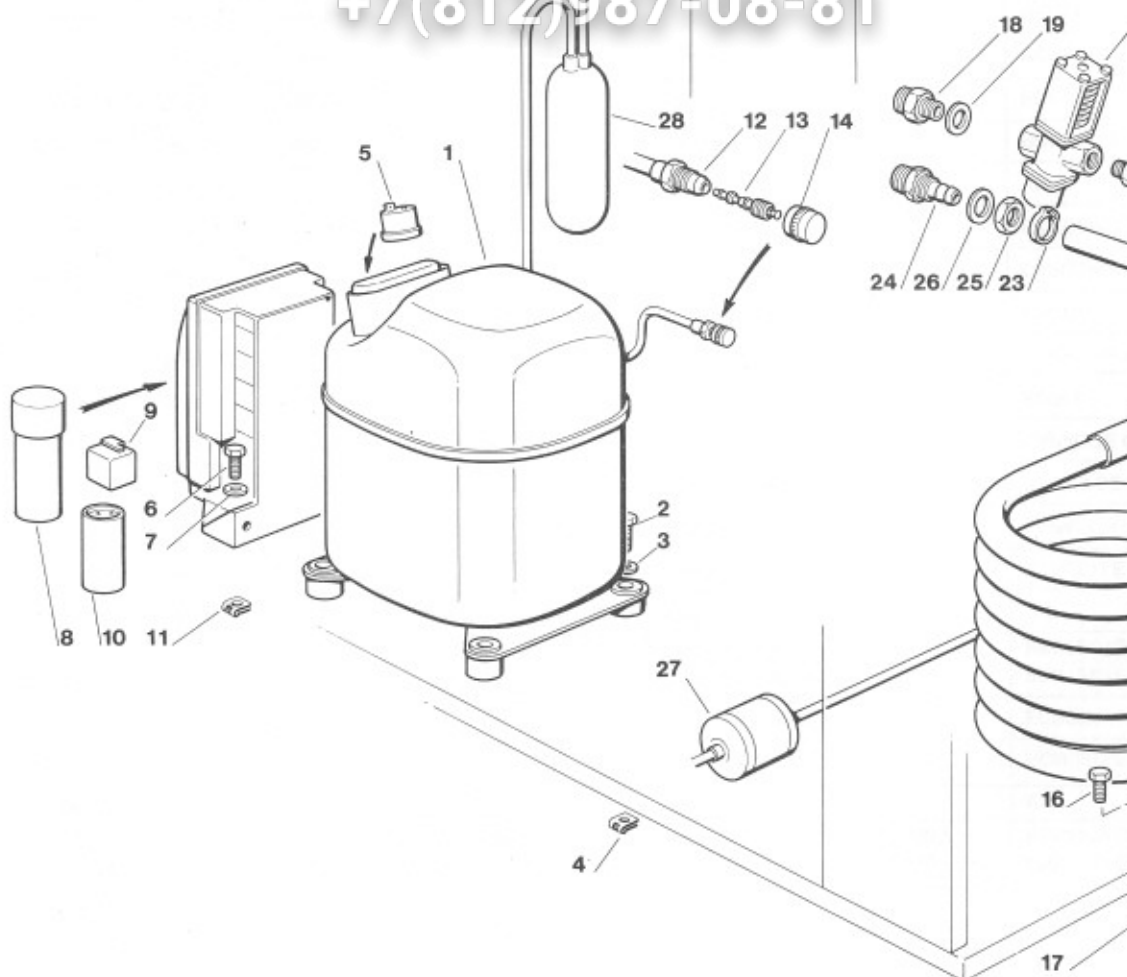
SP 405 - SP 605 - REFRIGERANT SYSTEM AIR COOLED - SISTEMA REFRIGERANTE
CIRCUIT FRIGORIFICO REFRIGERANTE A FLUIDO LIQUO ARIA - LUFTGEKÜHLT GEFRIERSYSTEM

ITEM NO POS NO REP. NO REF. NO	PART NO - CODICE REFERENCE - STUECK NR		DESCRIPTION	DESCRIZIONE	DESIGNATION
	SP 405	SP 605			
1	670076 10 *****	670076 16 670076 18	COMPRESSOR ASSY 220 V COMPRESSOR ASSY 380 V	ASSIEME COMPRESSORE 220 V ASSIEME COMPRESSORE 380 V	ENSAMBLE COMPRESSEUR ENSAMBLE COMPRESSEUR
2	420043 00	420043 00	SCREW	VITE	VIS
3	440088 00	440088 00	WASHER	RONDELLA	RONDELLE
4	650407 01	650407 01	METAL CLIP	DADO IN GABBIA	ECROU
5	620058 44 *****	620058 56 620058 58	PROTECTOR 220 V PROTECTOR 380 V	PROTETTORE 220 V PROTETTORE 380 V	PROTECTEUR 220 V PROTECTEUR 380 V
6	420000 22	420000 22	SCREW	VITE	VIS
7	440026 00	440026 00	WASHER	RONDELLA	RONDELLE
8	620167 21	620167 16	RUN CAPACITOR 220 V	CAPACITA DI MARCIA 220 V	CAPACITÉ PERMANENCE
9	620168 11	620168 11	START RELAY 220 V	RELE DI AVVIAMENTO 220 V	RELAIS DE DEMARRAGE
10	620167 22	620167 22	START CAPACITOR 220 V	CAPACITA D'AVVIAMENTO 220 V	CAPACITÉ DE DEMARRAGE
11	650029 03	650029 03	METAL CLIP	DADO IN GABBIA	ECROU
12	650109 00	650109 00	VALVE BODY	CORPO VALVOLA	CORPS DE VANNE
13	670012 00	670012 00	VALVE PISTON	PISTONCINO VALVOLA	PISTON
14	650106 00	650106 00	VALVE CAP	CAPPUCCIO VALVOLA	CAPUCHON DE VANNE
15	620370 00	620349 03	AIR COOLED CONDENSER	CONDENSATORE AD ARIA	CONDENSEUR A AIR
16	420000 23	420000 23	SCREW	VITE	VIS
17	440084 00	440084 00	WASHER	RONDELLA	RONDELLE
18	650029 03	650029 03	METAL CLIP	DADO IN GABBIA	ECROU
19	620233 00	620300 00	FAN MOTOR	MOTORE VENTILATORE	MOTEUR VENTILATEUR
20	620000 00	620000 01	FAN BLADE	VENTOLA	HELICE
21	420010 00	420010 00	SCREW	VITE	VIS
22	440084 00	440084 00	WASHER	RONDELLA	RONDELLE
23	440026 00	440026 00	LOCK WASHER	RONDELLA SPACCATA	RONDELLE
24	650029 03	650029 03	METAL CLIP	DADO IN GABBIA	ECROU
25	670006 01	670006 01	DRIER	FILTRO DEUMIDIFICATORE	FILTRE DESHYDRATEUR
26	784406 03	784406 01	SUCTION LINE/ACCUMULATOR	ACCUMUL. E LINEA ASPIRAZIONE	ENS. ASPIRATION/ACCUMUL.

Зип Общепит

vsezip.ru

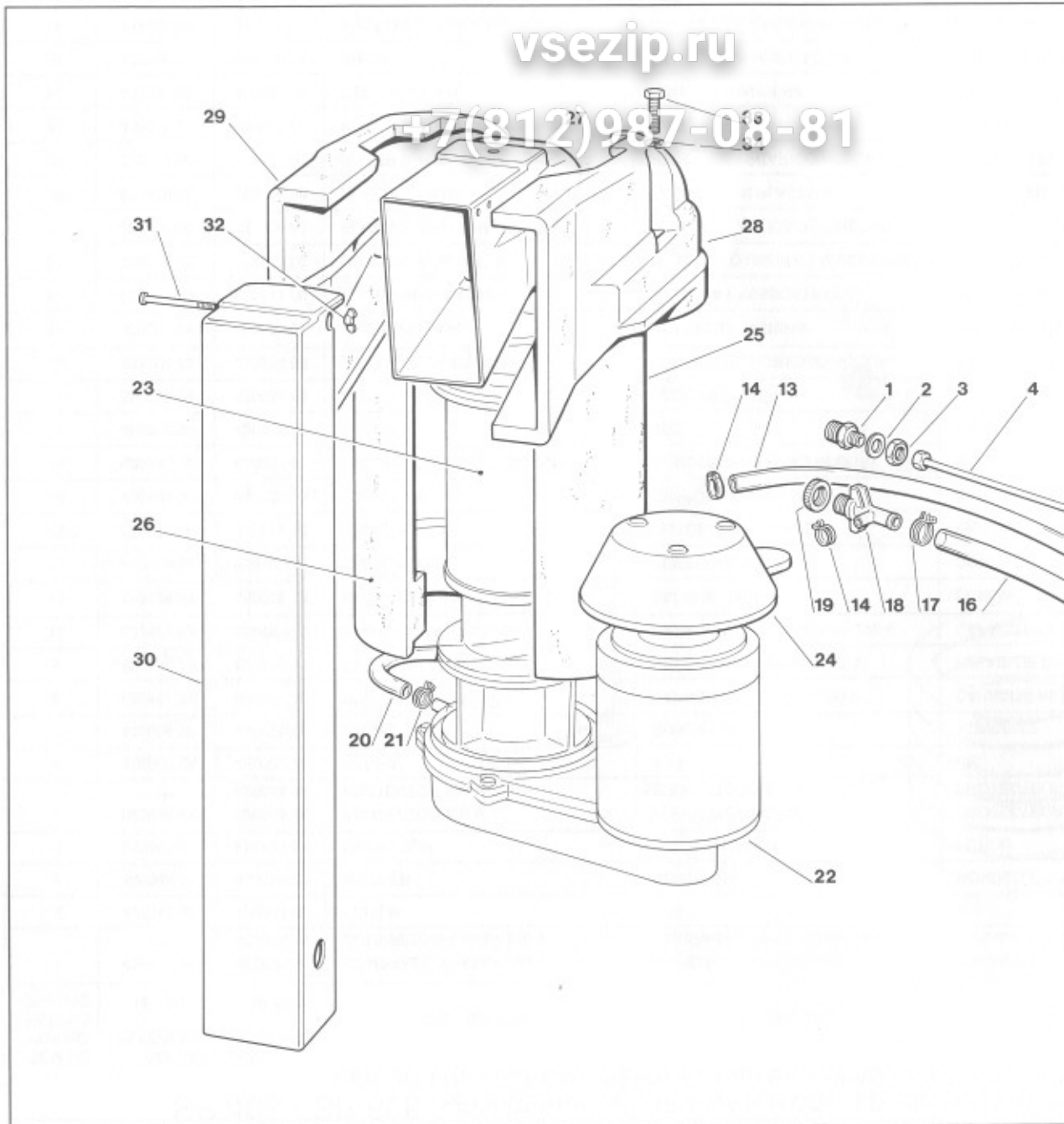
+7(812)987-08-81



Зип Общепит

vsezip.ru

+7(812)987-08-81



SP 405 - SP 605 - WATER SYSTEM AND INSULATIONS - CIRCUITO IDR

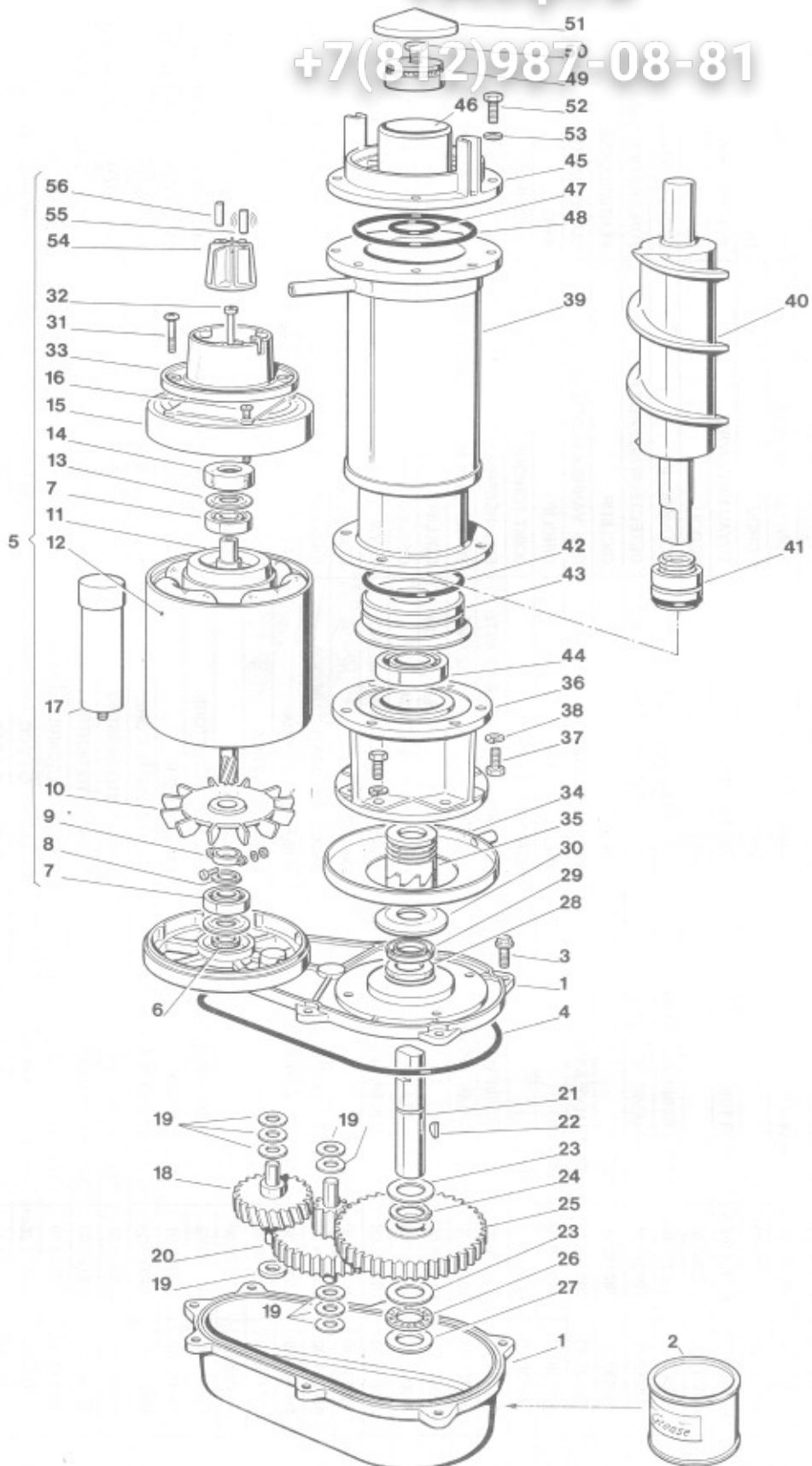
CIRCUIT HYDRAULIQUE ET ISOLATIONS - WASSERKREISLAUF UND IS

ITEM NO POS NO REP. NO REF. NO	PART NO - CODICE REFERENCE - STUECK NR		DESCRIPTION	DESCRIZIONE	DESIGNATION
	SP 405	SP 605			
1	733205 00	733205 00	WATER INLET FITTING	RACCORDO INGRESSO ACQUA	RACCORD ARRIVATA
2	400031 00	400031 00	FIBER WASHER	RONDELLA IN FIBRA	RONDELLE EN FIBRE
3	400030 01	400030 01	NUT	DADO	ECROU
4	NO NUMBER	NO NUMBER	COPPER TUBE	TUBO IN RAME	TUYAU EN CUIVRE
5	430031 00	430031 00	NUT	DADO	ECROU
6	660363 00	660363 00	WATER RESERVOIR COVER	COPERCHIO VACHETTA	COUVERCLE
7	724215 06	724215 06	WATER LEVEL METAL PIN	PERNO SENSORE LIVELLO ACQUA	DETECTEUR NIVEAU
8	783153 00	783153 00	NOZZLE	UGELLO	GICLEUR
9	783127 00	783127 00	FLOAT VALVE ASSY	ASS. GALLEGGIANTE	ENS. VANNE A FLUTTE
10	460038 02	460038 02	CLIP RING	ANELLO SEEGER	CIRCLIP
11	640100 00	640100 00	O RING	GUARNIZIONE OR	JOINT TORIQUE
12	793126 00	793126 00	WATER RESERVOIR ASSY	ASS. VASCHETTA GALLEGGIANTE	ENS. RÉSERVOIR
13	281222 00	281222 00	PLASTIC TUBE - PER MTR	TUBO IN PLASTICA - PER METRO	TUYAU EN PLASTIC
14	650499 00	650499 00	CLAMP	FASCETTA	COLLIER
15	460022 00	460022 00	PLASTIC CLAMP	FASCETTA IN PLASTICA	COLLIER EN PLASTIC
16	281832 00	281832 00	PLASTIC TUBE - PER MTR	TUBO IN PLASTICA - PER METRO	TUYAU EN PLASTIC
17	460036 00	460036 00	CLAMP	FASCETTA	COLLIER
18	660224 00	660224 00	WATER DRAIN FITTING	RACCORDO SCARICO ACQUA	RACCORD EVACUATION
19	660535 00	660535 00	PLASTIC RING NUT	GHIERA IN PLASTICA	COLLIER DE SERRAGE
20	610163 02	610163 02	PLASTIC TUBE	TUBO IN PLASTICA	TUYAU EN PLASTIC
21	460025 00	460025 00	CLAMP	FASCETTA	COLLIER
22	794215 08	794215 08	GEAR REDUCER ASSY	ASS. MOTORIDUTTORE	ENS. MOTOREDUCTEUR
23	794267 00	794267 01	FREEZER ASSY	ASS. FREEZER	ENS. FREEZER
24	660553 00	660553 00	GEAR MOTOR PLASTIC COVER	PROTEZIONE MOTORE	PROTECTION MOTORE
25	650401 00	650401 02	INSULATION LEFT	ISOLAMENTO SINISTRO	ISOLATION GAUCHE
26	650401 01	650401 03	INSULATION RIGHT	ISOLAMENTO DESTRO	ISOLATION DROITE
27	660542 16	660542 16	PLASTIC ICE SPOUT	BOCCHETTA SCARICO GHIACCIO	BEC VERSEUR
28	660509 05	660509 05	SPOUT INSULATION LEFT	ISOLAMENTO BOCC. SINISTRO	ISOLATION GAUCHE
29	660509 04	660509 04	SPOUT INSULATION RIGHT	ISOLAMENTO BOCC. DESTRO	ISOLATION DROITE
30	660455 09	660455 10	PLASTIC ICE CHUTE	CONDOTTO SCARICO GHIACCIO	GOULOTTE
31	724180 00	724180 00	METAL ROD	TIRANTE	TIRANT
32	430083 00	430083 00	WING NUT	DADO AD ALETTE	ECROU
33	420001 09	420001 09	SCREW	VITE	VIS
34	441001 02	441001 02	WASHER	RONDELLA	RONDELLE

Зип Общепит

vsezip.ru

+7(812)987-08-81



SP 405 - SP 605 - FREEZER AND GEAR REDUCER ASSY - ASSIEM

ENS. FREEZER ET (MOTOREDUCTEUR - GEFRIERZYLINDER UND

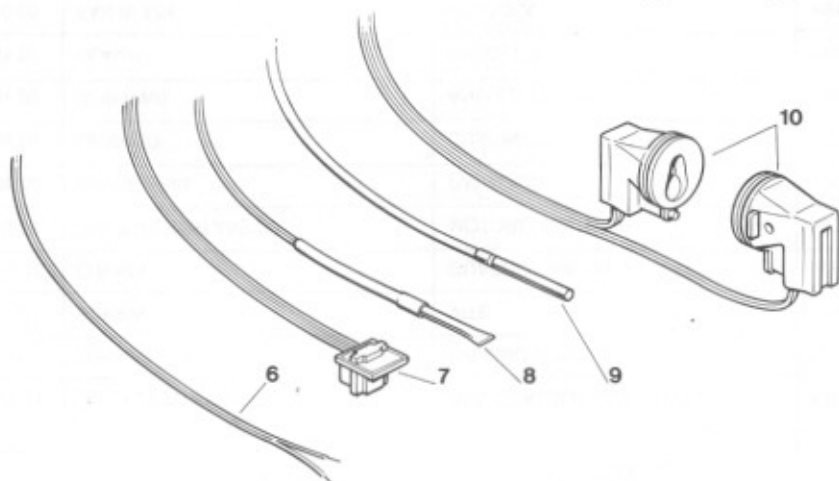
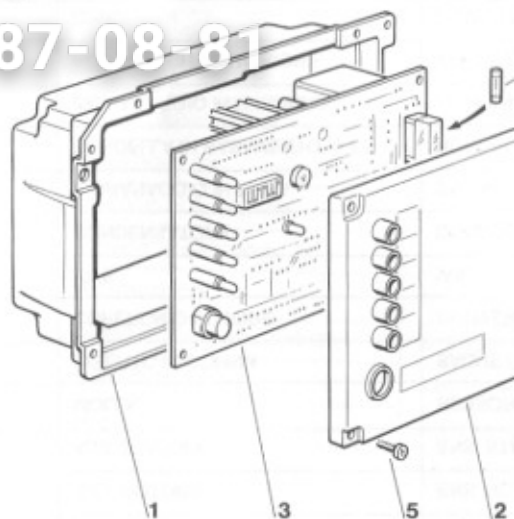
ITEM NO POS NO REP. NO REF. NO	PART NO - CODICE REFERENCE - STUECK NR		DESCRIPTION	DESCRIZIONE	
	SP 405	SP 605			
1	A 31230 01	A 31230 01	GEAR CASE ASSY	ASS. SCATOLA INGRANAGGI	ENS. CART
2	060294 01	060294 01	GREASE (1 KG)	GRASSO (1 KG)	GRAISSE (
3	03 1251 01	03 1251 01	SCREW	VITE	VIS
4	A 26013 01	A 26013 01	O RING	GUARNIZIONE OR	JOINT TOP
5	060273 06	060273 06	DRIVE MOTOR ASSY	MOTORE RIDUTTORE	MOTEUR D
6	02 1606 00	02 1606 00	GEASE SEAL	PARAOLIO	PARAHUIL
7	651053 00	651053 00	BEARING	CUSCINETTO	ROULEME
8	460041 00	460041 00	CLIP RING	ANELLO SEEGER	CIRCLIP
9	650341 00	650341 00	CLAMP	FASCETTA	COLLIER
10	650340 00	650340 00	FAN BLADE	VENTOLA	HELICE
11	794216 00	794216 00	ROTOR ASSY	ASS. ROTORE	ENS. ROT
12	620295 00	620295 00	STATOR ASSY	ASS. STATORE	ENS. STAT
13	460041 00	460041 00	SPRING	MOLLA	RESSORT
14	640095 01	640095 01	RUBBER INSERT	INSERTO IN GOMMA	BAGUE CA
15	650339 00	650339 00	DRIVE MOTOR COVER	COPERCHIO MOTORE	COUVERC
16	420332 00	420332 00	SCREW	VITE	VIS
17	620292 03	620292 03	CAPACITOR	CONDENSATORE	CONDENS
18	651156 00	651156 00	1SR GEAR & PINION	INGRANAGGIO IN FIBRA	ENGRANA
19	03 1408 24	03 1408 24	TRUST WASHER (9 R.OD)	RONDELLA DI RASAMENTO (9 PZ)	RONDELL
20	651157 00	651157 00	2ND GEAR & PINION	INGRANAGGIO INTERMEDIO	2eme ENG
21	651159 00	651159 00	OUTPUT SHAFT	ALBERO DI TRASMISSIONE	ARBRE DE
22	03 1364 00	03 1364 00	KEY	CHIAVETTA	CLAVETTE
23	02 1681 00	02 1681 00	TRUST WASHER	RONDELLA DI RASAMENTO	RONDELL
24	03 1363 00	03 1363 00	CLIP RING	ANELLO SEEGER	CIRCLIP
25	651158 00	651158 00	OUTPUT GEAR	INGRANAGGIO FINALE	3eme ENG
26	02 1680 00	02 1680 00	ROLLER BEARING	CUSCINETTO A RULLINI	ROULEME
27	02 1679 00	02 1679 00	TRUST WASHER	RONDELLA DI RASAMENTO	RONDELL
28	02 1607 00	02 1607 00	GREASE SEAL - FACE DOWN	PARAOLIO	PARAHUIL
29	02 2853 01	02 2853 01	GREASE SEAL - FACE UP	PARAOLIO	PARAHUIL

31	400078 00	400078 00	SCREW	VITE	VIS
32	03 1403 77	03 1403 77	SCREW	VITE	VIS
33	650515 51	650515 51	PLASTIC HOUSING	ALLOGGIAMENTO IN PLASTICA	B&ITE DET
34	784126 00	784126 00	DRIP TRAY	TRAY COLLEGGIO	GOUELL
35	060359 01	060359 01	COUPLING	GIUNTO	BAGUE D'
36	764007 00	764007 00	ALUMINIUM ADAPTER	SUPPORTO DI ALLUMINIO	SUPPORT
37	420019 00	420019 00	SCREW	VITE	VIS
38	440015 04	440015 04	WASHER	RONDELLA	RONDELL
39	784356 00	784357 00	WORM TUBE ONLY	TUBO EVAPORATORE	CYLINDRE
40	784198 02	784198 03	AUGER	COCLEA	VIS SANS
41	650402 00	650402 00	WATER SEAL	ASSIEME PREMISTOPPA	GARNITUR
42	640093 00	640093 00	O RING	GUARNIZIONE OR	JOINT TOR
43	754008 01	754008 01	BEARING RETAINER	SUPPORTO CUSCINETTO	LOGEMEN
44	651059 00	651059 00	LO BEARING	CUSCINETTO INFERIORE	PALIER IN
45	751005 01	751005 01	ICE BREAKER ONLY	ROMPIGHIACCIO	BROYEUR
46	19 0569 01	19 0569 01	WATER PROOF GREASE (4 OZ)	GRASSO IDROREPELL. (110 GR)	GRAISSE
47	640093 02	640093 02	O RING	GUARNIZIONE OR	JOINT TOR
48	640093 03	640093 03	O RING	GUARNIZIONE OR	JOINT TOR
49	651058 00	651058 00	TOP BEARING	CUSCINETTO SUPERIORE	PALIER SU
50	423915 00	423915 00	SCREW	VITE	VIS
51	660507 00	660507 00	PLASTIC CUP	CALOTTA IN PLASTICA	CALOTTE
52	420019 00	420019 00	SCREW	VITE	VIS
53	440015 04	440015 04	WASHER	RONDELLA	RONDELL
54	650515 04	650515 04	MAGNETO HOLDER	SUPPORTO MAGNETE	SUPPORT
55	650515 05	650515 05	MAGNETIC CYLINDER	CILINDRETTO MAGNETICO	CYLINDRE
56	650515 06	650515 06	NON MAGNETIC CYLINDER	CILINDRETTO NON MAGNETICO	CYLINDRE

Зип Общепит

vsezip.ru

+7(812)987-08-81



**SP 405 - SP 605- P.C. BOARD AND SENSOR ASSY - SCHEDA EL
ENS. CARTE ELECTRIQUE ET DETECTEURS - ELEKTRONISCHE KARTE UND**

ITEM NO POS NO REP. NO REF. NO	PART NO CODICE REFERENCE STUECK NR	DESCRIPTION	DESCRIZIONE	
1	660546 00	CONTROL BOX	SCATOLA ELETTRICA	BOITE ELE
2	660547 00	CONTROL BOX COVER	COPERCHIO SCATOLA ELETTRICA	COUVERC
3	620403 03	P.C. BOARD ASSY	ASSIEME SCHEDA ELETTRONICA	ENSAMBL
4	630015 09 630015 10	FUSE (100 mA) FUSE (16 A)	FUSIBILE (100 mA) FUSIBILE (16 A)	FUSIBLE (FUSIBLE
5	470000 07	SCREW	VITE	VIS
6	620404 04	WATER LEVEL SENSOR	SENSORE LIVELLO ACQUA	CAPTEUR
7	620404 03	HALL EFFECT SENSOR	SENSORE EFFETTO HALL	CAPTEUR
8	620404 01	CONDENSER TEMP. SENSOR	SENSORE TEMP. CONDENSATORE	CAPTEUR
9	620404 10	EVAPORATOR TEMP. SENSOR	SENSORE TEMP. EVAPORATORE	CAPTEUR
10	785086 00	ICE LEVEL CONTROL ASSY	ASS. CONTR. LIVELLO GHIACCIO	ENS. DETE
11	630119 00 630124 05	CONTACTOR SP 405 CONTACTOR SP 605	TELERUTTORE SP 405 TELERUTTORE SP 605	CONTACT CONTACT

Зип Общепит

COMPRESSOR CHART - TABELLA COMPRESSORI - TABLEAU COMPRESSEUR -

vsezip.ru

+7 (82) 987 08 - 81

MODEL MODELLO MODELE MODELL	VOLTS TENSIONE TENSION SPANNUNG	COMPRESSOR MODEL MOD. COMPRESSORE TYPE COMPRESSEUR KOMPRESSOR TYP	COMPRESSOR COMPRESSORE COMPRESSEUR KOMPRESSOR	RELAY RELÉ RELAIS RELAIS	PROTECTOR PROTEETTORE PROTECTEUR SCHUTZGERAT	START CAPA CAPACITA D CAPACITÉ DE DE START KONDE
SP 405 SP 605	115/60/1 115/60/1					
SP 405 SP 605	230/60/1 230/60/1	U.H. AJ 5518 E	670076 17	620168 17	620058 57	620167
SP 405 SP 605	220/50/1 220/50/1	U.H. AJ 5512 E U.H. AJ 5518 E	670076 10 670076 16	620168 11 620168 11	620058 44 620058 56	620167 620167
SP 605	380/50/3	U.H. TAJ 4519 E	670076 18	*****	620058 58	*****

ELECTRIC COMPONENTS CHART - TABELLA COMPONENTI ELETTRICI - TABLEAU COMPOSANTS

MODEL MODELLO MODELE MODELL	VOLTS TENSIONE TENSION SPANNUNG	CONTACTOR TELERUTTORE CONTACTEUR SCHALTSCHÜTZ	GEAR MOTOR ASSY ASS. MOTORIDUTTORE ENS. MOTOREDUCTEUR GETRIEBEMOTOREINHEIT	DRIVE MOTOR MOTORE RIDUTTORE MOTEUR REDUCTEUR MOTOREINHEIT	FAN MOTOR ONLY MOTORE VENTILATORE MOTEUR VENTILATEUR LUFTER MOTOR
SP 405 SP 605	115/60/1 115/60/1	630119 04 620124 07	794215 09 794215 09	060273 07 060273 07	***** *****
SP 405 SP 605	230/60/1 230/60/1	630119 00 620124 05	794215 08 794215 08	060273 06 060273 06	***** 620300 00
SP 405 SP 605	220/50/1 220/50/1	630119 00 620124 05	794215 08 794215 08	060273 06 060273 06	620233 00 620300 00
SP 605	380/50/3	620124 05	794215 08	060273 06	620300 00