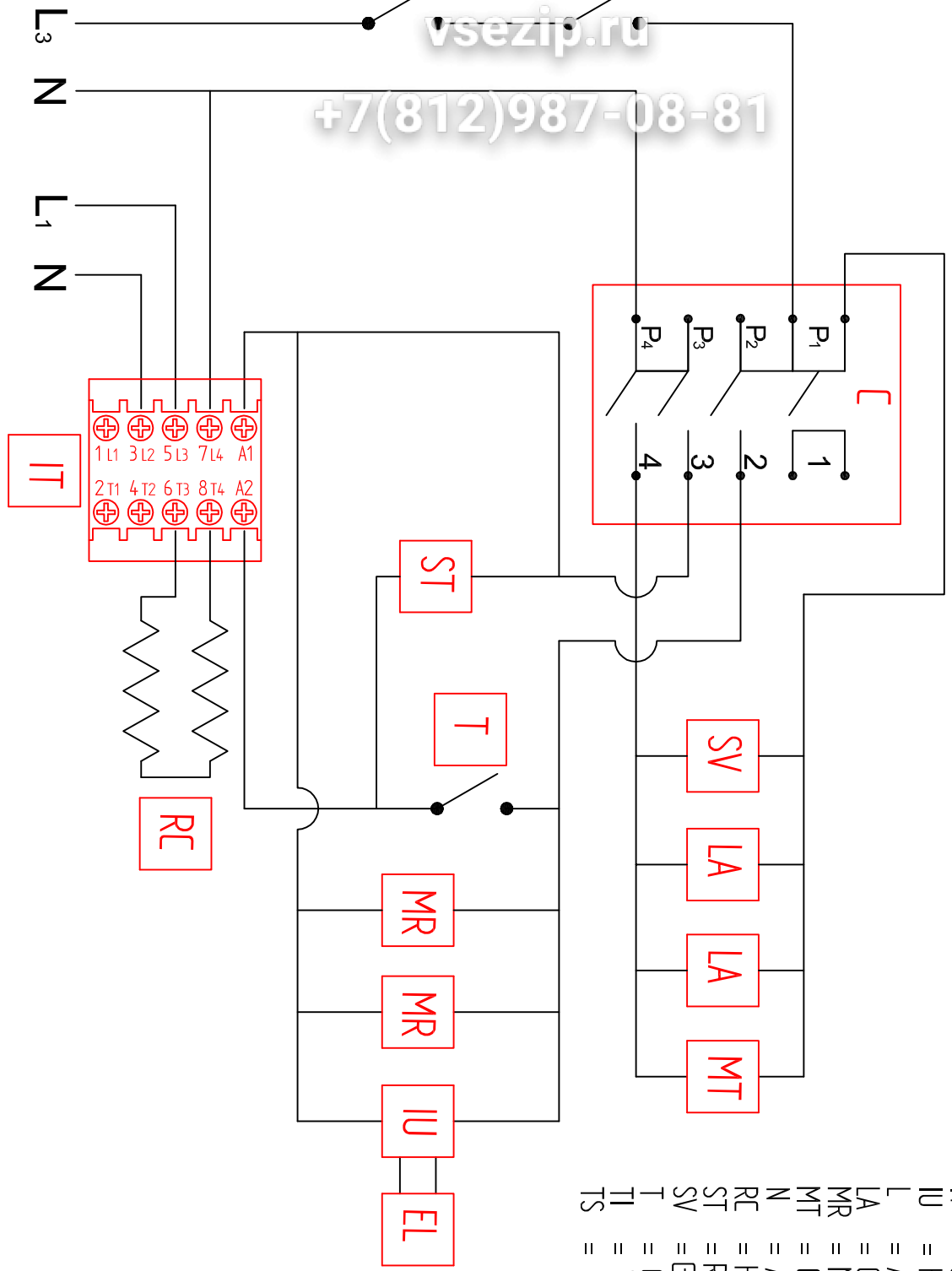


Вип Общегит

vsezip.ru

+7(812)987-08-81



- C = SELECTOR
- EL = ELECTRIC VALVE FOR HUMIDIFIER
- IU = CONTACTORS
- IT = HUMIDITY CONTROL
- LA = ALIMENTATION (line/fase)
- LA = OVEN LAMPS
- MR = MOTOR
- MT = COOLING FAN
- N = ALIMENTATION (neutral)
- RC = HEATING ELEMENTS
- ST = RED LIGHT ON/OFF THERMOSTAT
- SV = GREEN LIGHT ON/OFF THERMOSTAT
- T = OVEN THERMOSTAT
- TI = TIMER
- TS = SECURITY THERMOSTAT

4	..	..	TOLLERANZE: UNI 5307	SCALA	PIRON	DENOMINAZIONE ELECTRICAL SCHEME	MODELLO OVEN 800, 800U	DISEGNATO: Conte R.
3	..	..	da 1 a 6 da 5 a 18 da 18 a 50 da 50 a 80 da 80 a 120 da 120 a 250 da 250 a 400 da 400 a oltre	±0,08 ±0,12 ±0,18 ±0,23 ±0,27 ±0,33 ±0,42 ±0,50				
2	..	..	DATA	19/04/2010				
1	..	..	TRATTAMENTO	FILE				
RELEASE	MODIFICHE	FIRMA	..	..	..	..	..	..