

DZ-260PD Table-Style Vacuum Packaging Machine
Vacuum lid breakdown

vsezip.ru

+7(812)987-08-81

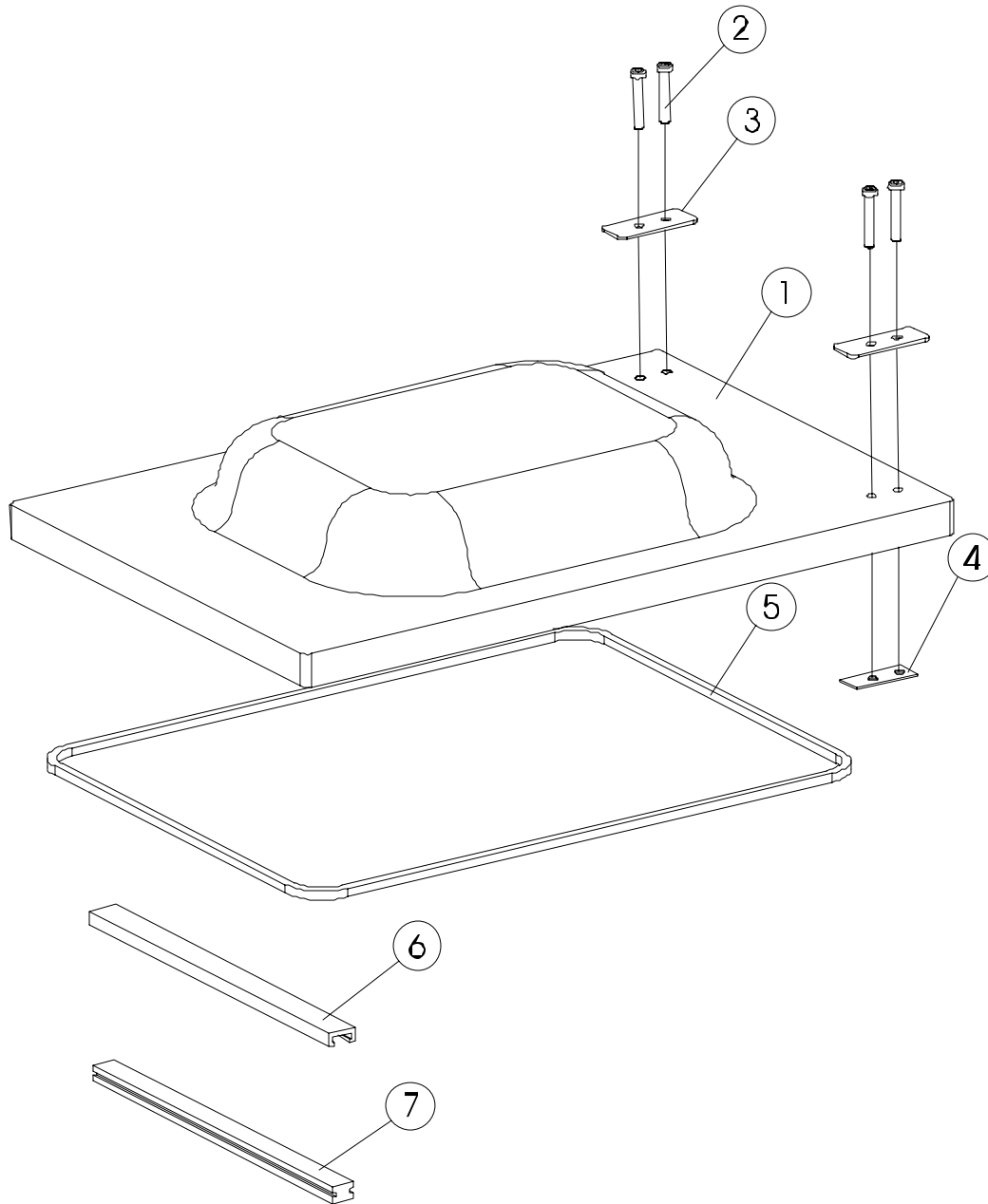


Figure 1

- 1-1. Vacuum lid
- 1-2. M6 socket head screw
- 1-3. Upper washer
- 1-4. Lower washer
- 1-5. Rubber seal ring
- 1-6. Seal pad holder
- 1-7. Silicone seal pad

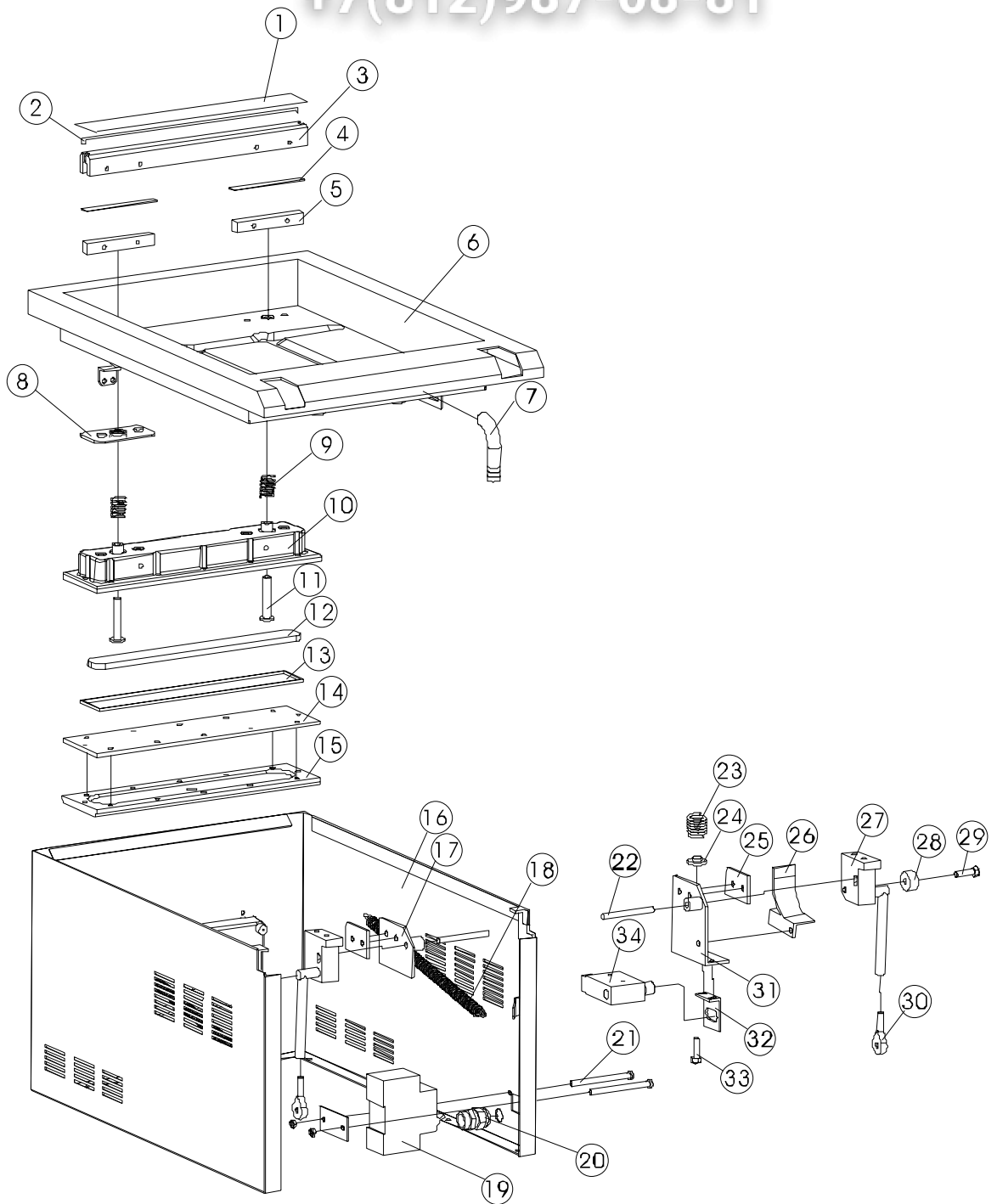


Figure 2

Зип Общепит

vsezip.ru

+7(812)987-08-81

- 2-1. Teflon tape
- 2-2. Seal wire
- 2-3. Sealing bar
- 2-4. Sheet copper
- 2-5. Fixed block for guide pillar
- 2-6. Vacuum chamber
- 2-7. Exhaust tube
- 2-8. Seal ring
- 2-9. Spring of guide pillar
- 2-10. Air chamber
- 2-11. Copper guide pillar
- 2-12. Bakelite support plate
- 2-13. Seal ring of air chamber
- 2-14. Sheet rubber
- 2-15. Cover of air chamber
- 2-16. Housing case
- 2-17. Left support plate
- 2-18. Tension spring
- 2-19. Breaker DZ47-60
- 2-20. Joint of power line
- 2-21. M5 set screw
- 2-22. Gemel shaft
- 2-23. Damping spring
- 2-24. Pressure-regulating plate
- 2-25. Mounting plate
- 2-26. Damping plate
- 2-27. Gemel
- 2-28. Damper
- 2-29. Damper shaft
- 2-30. Knuckle bearing
- 2-31. Right support plate
- 2-32. Switch board
- 2-33. M6 Socket head screw
- 2-34. Overtravel-limit switch AZ7310

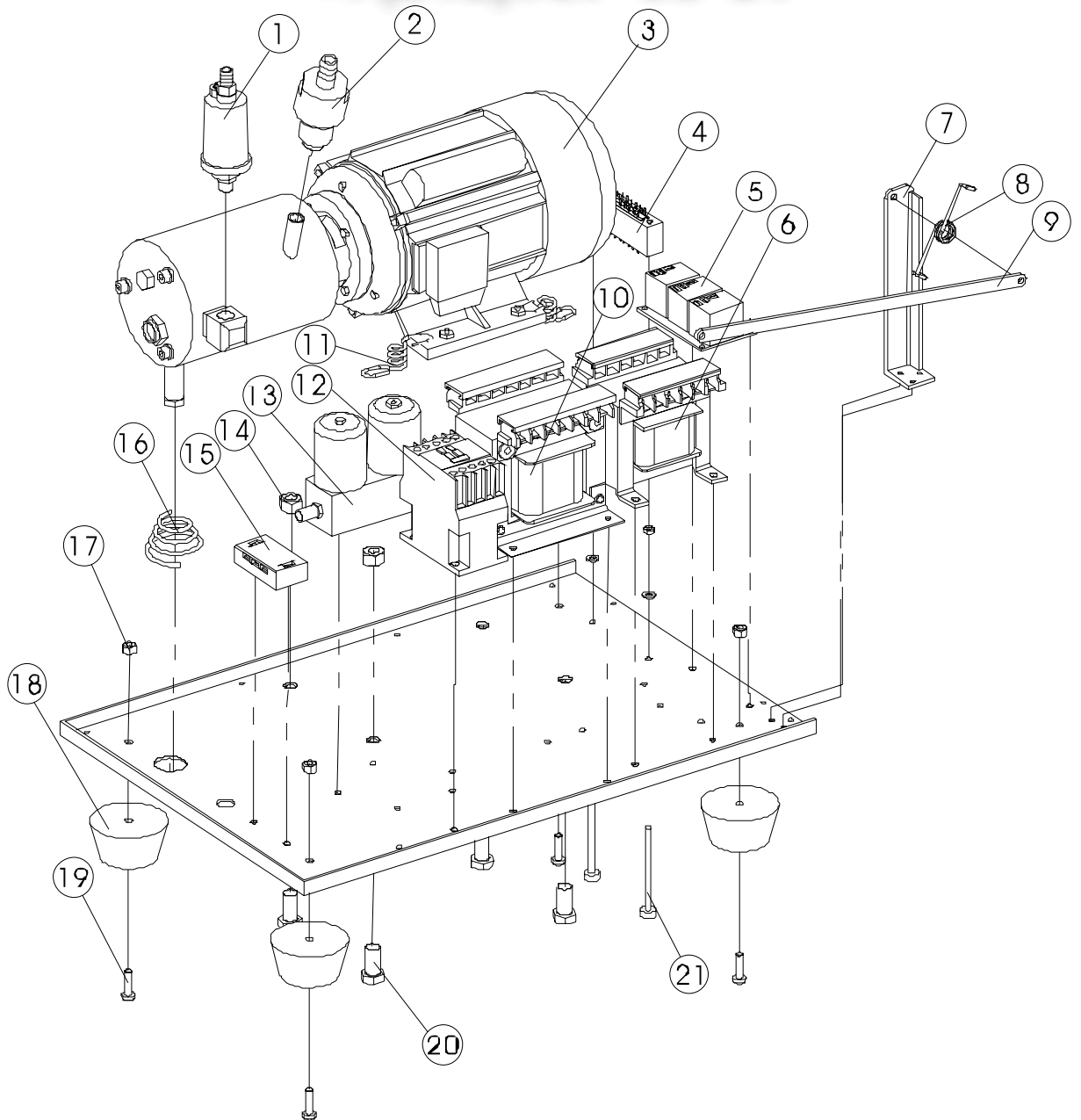


Figure 3

- 3-1. Vacuum pump filter
- 3-2. Check valve
- 3-3. Vacuum pump
- 3-4. Connecting terminal
- 3-5. Voltage-selecting terminal
- 3-6. Control transformer BK-50
- 3-7. Mounting rack
- 3-8. Torsional spring of stay bar
- 3-9. Stay bar
- 3-10. Sealing transformer JBK3-150
- 3-11. Suspension spring
- 3-12. AC contactor CJX2-1210
- 3-13. Combined solenoid valve DC0811
- 3-14. M10 nut
- 3-15. Connecting terminal
- 3-16. Suspension spring
- 3-17. M6 nut
- 3-18. Rubber foot
- 3-19. M6 Screw
- 3-20. M10 Hexagon head bolt
- 3-21. M5 Screw