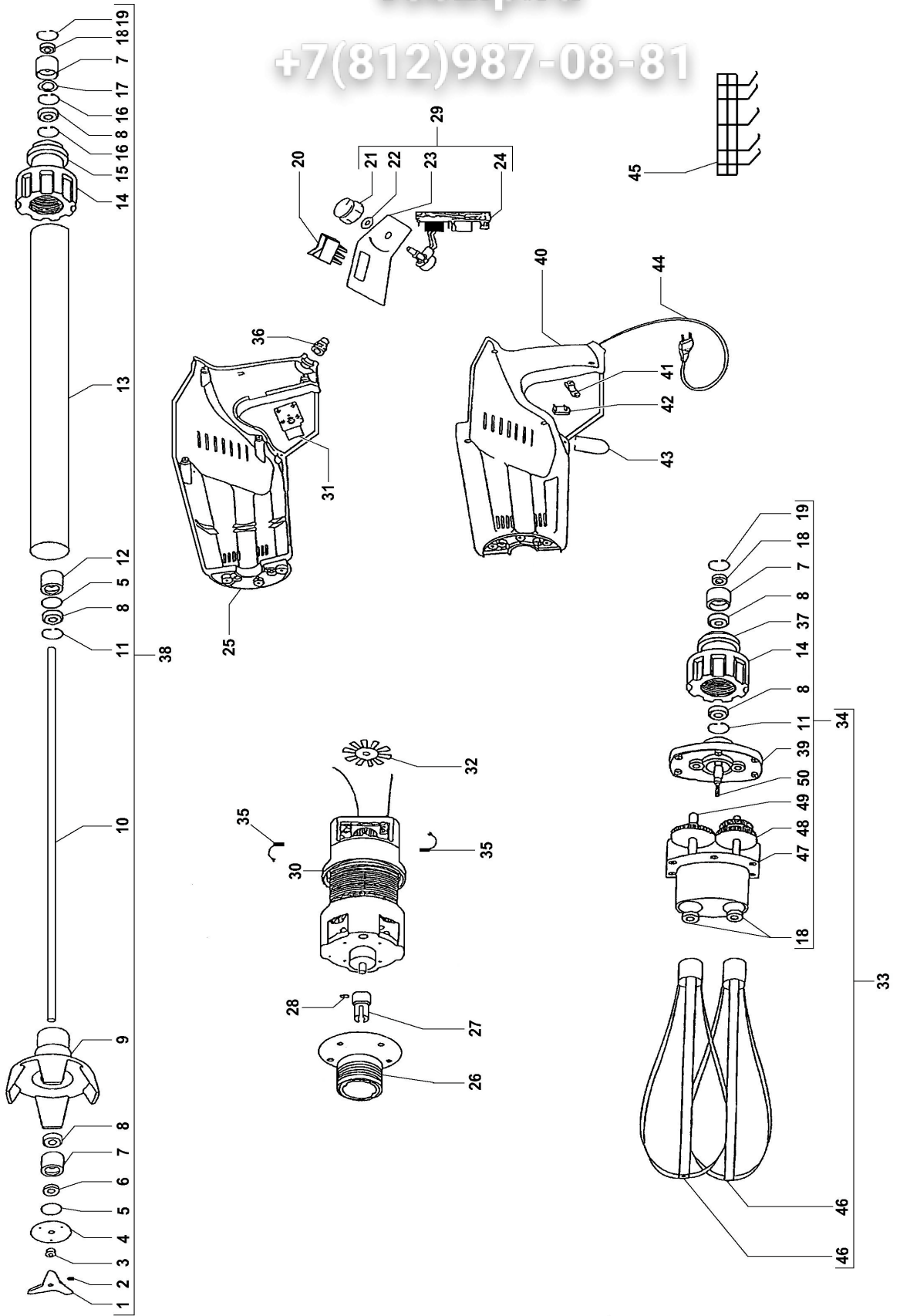


Mescolatore-frusta mod.FM3
Mixer & whisk mod.FM3



MESCOLATORE FRUSTA MOD.FM3 MIXER & WHISK MOD.FM3

Rif No	Codice Code	Caratteristiche Characteristics	Descrizione Description
1	SL0744		Coltello Cutter
2	SL0769	M5x6 A2	Grano Grub screw
3	SL0772	V-8-S	V-ring V-ring
4	SL0777		Disco Disk
5	SL0773	OR 128	O-ring O-ring
6	SL1454	8x18x6	Paraolio Oil seal
7	SL0740		Boccola Bush
8	SL0271	608H ZZ inox	Cuscinetto Bearing
9	SL0775		Campana Bell
10	SL0776	ø8 L=400	Albero Shaft
10	SL0976	ø8 L=300	Albero Shaft
10	SL0977	ø8 L=350	Albero Shaft
10	SL0978	ø8 L=500	Albero Shaft
10	SL0979	ø8 L=600	Albero Shaft
11	SL0749	ø22	Seeger Seeger
12	SL0879		Boccola Bush
13	SL0747	ø40x2 L=400	Tubo Tube
13	SL0972	ø40x2 L=300	Tubo Tube
13	SL0973	ø40x2 L=350	Tubo Tube
13	SL0974	ø40x2 L=500	Tubo Tube
13	SL0975	ø40x2 L=600	Tubo Tube
14	SL0742		Ghiera Locking ring
15	SL0741		Supporto Support
16	SL0898	ø8	Seeger Seeger
17	SL0748	ø22	Anello Ring
18	SL0746	8x18x5	Paraolio Oil seal
19	SL0750	ø25	Seeger Seeger
20	SL0758		Interruttore Switch
21	SL1458		Pomello Knob
22	SL1457		Dado Nut
23	SL0760		Piastra Plate
24	SL0756	230V/1Ph/50-60Hz	Scheda elettronica Electronic card
25	SL0730	Blue-right	Copertura Covering
26	SL0732		Flangia Flange
27	SL1496		Giunto Joint
28	SL0129	M5x10 A2	Grano Grub screw
29	SA3600	Assembly	Comandi Controls
30	SL0755	230V/1Ph/50-60Hz	Motore Motor
31	SL0757		Interruttore Switch
32	SL2818		Ventola Fan
33	FRUSTAFM3	Assembly	Frusta Whisk
34	SA9500	Assembly	Riduttore Gear box
35	SL2815		Spazzola Brush
36	SL0762		Pressacavo Cable clamp
37	SL0734		Supporto Support
38	MESCFM340	L=400 (Assembly)	Mescolatore Mixer
38	MESCFM330	L=300 (Assembly)	Mescolatore Mixer
38	MESCFM335	L=350 (Assembly)	Mescolatore Mixer
38	MESCFM350	L=500 (Assembly)	Mescolatore Mixer
38	MESCFM360	L=600 (Assembly)	Mescolatore Mixer
39	SL0774		Coperchio Cover
40	SL0731	Blue-left	Copertura Covering
41	SL0745	Blue	Piastra Plate
42	SL0840	Blue	Piastra Plate
43	SL0770		Gancio Claw
44	SL0761	1Ph+N	Cavo elettrico Electric cable
45	SL0771		Portautensili Accessory stand
46	SL0743		Frusta Whisk
47	SL0733		Scatola Box
48	SA8900		Ingranaggio Gear
49	SA8800		Ingranaggio Gear
50	SL0739		Ingranaggio Gear

(*): fuori produzione / out of production