

Зип Общепит

vsezip.ru

+7(812)987-08-81



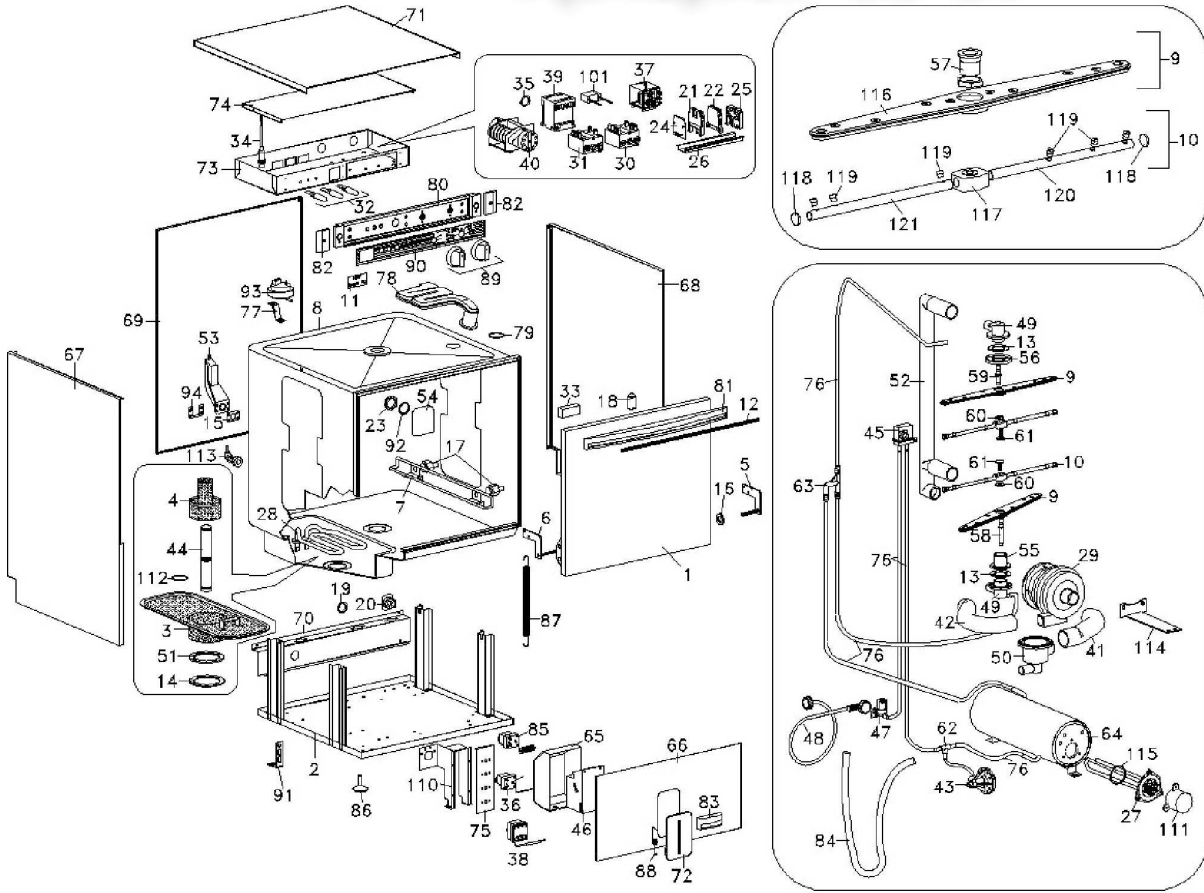
F60P

Edition 20140115-

Зип Общепит

vsezip.ru

+7(812)987-08-81



| Pos | Code | Description | Info |
|-----|---------|----------------------------|-------------|
| 001 | 30G3190 | DOOR ASS. Y | 01/05/1997- |
| 002 | 30M3270 | BOTTOM PLATE | 01/05/1997- |
| 003 | 30Q0280 | FILTER | 01/05/1997- |
| 004 | 30Q1510 | FILTER Ø98 H=117 | 18/11/1999- |
| 005 | 30T1340 | RIGHT-HAND HINGE | 01/05/1997- |
| 006 | 30T1350 | LEFT HAND HINGE | 01/05/1997- |
| 007 | 30T1370 | GUIDE | 01/05/1997- |
| 008 | 30W0870 | TANK | 01/05/1997- |
| 009 | 36G8540 | WASH BLADES 495X58X16 | 12/06/1999- |
| 010 | 30Z1491 | COMPL. RINSE ARM | 14/12/2007- |
| 011 | 37M7120 | NAME PLATE | 01/05/1997- |
| 012 | 37M7200 | DOOR TRIM | 01/05/1997- |
| 013 | 3150230 | GASKET | 01/05/1997- |
| 014 | 3150290 | SUMP GASKET | 01/05/1997- |
| 015 | 3151770 | GASKET | 01/05/1997- |
| 016 | 3152010 | GASKET | 01/05/1997- |
| 017 | 3190360 | PIN | 01/05/1997- |
| 018 | 31W0061 | SPRING | 16/04/1998- |
| 019 | 32X0130 | GROMMET Ø29-Ø37 | 01/05/1997- |
| 020 | 32D0440 | CABLE CLAMP | 01/05/1997- |
| 021 | 32D0840 | LIVE TERMINAL | 01/05/1997- |
| 022 | 32D0860 | GROUND TERMINAL | 01/05/1997- |
| 023 | 32D1140 | LOCK NUT | 01/05/1997- |
| 024 | 32D0850 | TERMINAL | 01/11/1997- |
| 025 | 32D1220 | TERMINAL CLAMPING BOARD | 01/05/1997- |
| 026 | 32D1230 | "OMEGA" BRACKET | 01/05/1997- |
| 027 | 32G0400 | HEATING EL. | 18/11/1999- |
| 028 | 3240720 | HEATING ELEMENT | 01/05/1997- |
| 029 | 32M4760 | MOTOR PUMP | 18/11/1999- |
| 030 | 32W0970 | SWITCH | 01/05/1997- |
| 031 | 32W0980 | SWITCH | 01/05/1997- |
| 032 | 32W1670 | SIGNAL LAMP | 01/05/1997- |
| 033 | 32W0870 | MAGNET | 01/05/1997- |
| 034 | 32W3240 | MICROSWITCH | 01/05/1997- |
| 035 | 32X0120 | GROMMET Ø 21 | 01/05/1997- |
| 036 | 32V0200 | THERMOSTAT 30° - 90° | 01/05/1997- |
| 037 | 32Z2000 | RELAY | 01/05/1997- |
| 038 | 32Z2011 | SAFETY THERMOSTAT | 01/05/1997- |
| 039 | 32Z4801 | RELAY | 01/05/1997- |
| 040 | 32Z8100 | PROGRAMMER | 01/05/1997- |
| 041 | 3300230 | DISCHARGE | 01/05/1997- |
| 042 | 3300240 | ASPIRATION DISCHARGE | 01/05/1997- |
| 043 | 33D0061 | DISPENSER | 01/05/1997- |
| 044 | 33D0140 | OVERFLOW | 15/01/2014- |
| 045 | 33D2230 | CHECK VALVE | 18/11/1999- |
| 046 | 33D0660 | RINSE AID TANK | 01/05/1997- |
| 047 | 33D1371 | INLET WATER SOLENOID VALVE | 01/05/1997- |
| 048 | 33M0350 | PIPE | 01/05/1997- |
| 049 | 33M0130 | WASHING/RINSE HUB | 01/05/1997- |
| 050 | 33M0170 | SUMP | 01/05/1997- |
| 051 | 33M0180 | FLANGE | 01/05/1997- |

| Pos | Code | Description | Info |
|-----|---------|-----------------------------|-------------|
| 052 | 33M0490 | PIPE | 01/05/1997- |
| 053 | 33M0220 | AIR TRAP | 01/05/1997- |
| 055 | 3070540 | WASHING INFER. PIPE FITTING | 22/05/2006- |
| 056 | 33M0360 | FLANGE | 01/05/1997- |
| 057 | 33M0500 | HUB+NUT | 01/05/1997- |
| 058 | 33Q2000 | PIN | 18/11/1999- |
| 059 | 33Q1090 | PIN | 01/05/1997- |
| 060 | 33Q1860 | RING NUT | 01/05/1997- |
| 061 | 33Q1890 | PIN | 01/05/1997- |
| 062 | 33Q3070 | "PIPE FITTING ""T""" | 01/05/1997- |
| 063 | 33M0580 | RINSE COUPLING | 01/05/1997- |
| 064 | 34A0760 | BOILER | 01/05/1997- |
| 065 | 35A0530 | CONTAINER BACK | 01/05/1997- |
| 066 | 35D2750 | BOTTOM PANEL | 01/05/1997- |
| 067 | 35D2950 | LH SIDE PANEL | 01/05/1997- |
| 068 | 35D2960 | RH SIDE PANEL | 01/05/1997- |
| 069 | 35D2990 | BACK PANEL | 01/05/1997- |
| 070 | 35D8710 | SOL. VALVE SUPPORT | 01/05/1997- |
| 071 | 35G1570 | TOP PANEL | 01/05/1997- |
| 072 | 35G2120 | DOOR | 01/05/1997- |
| 073 | 35S2290 | ELECTRIC BOX | 01/05/1997- |
| 074 | 35S2300 | COVER | 01/05/1997- |
| 075 | 35T0610 | THERMOSTAT SUPPORT | 01/05/1997- |
| 076 | 131AA14 | RUBBER HOSE Ø20x13 | 01/05/1997- |
| 077 | 35V8380 | PRESSOSTAT SWITCH SUPPORT | 01/05/1997- |
| 078 | 33M0630 | STEAM CONDENSER | 01/05/1997- |
| 079 | 3150010 | "O" RING | 01/05/1997- |
| 080 | 3601130 | CONTROL BOARD | 01/05/1997- |
| 081 | 3601140 | DOOR HANDLE | 01/05/1997- |
| 082 | 3601150 | SIDE HEAD | 01/05/1997- |
| 083 | 3601190 | HANDLE | 01/05/1997- |
| 084 | 3300420 | DRAIN PIPE | 01/05/1997- |
| 085 | 32V0100 | THERMOSTAT 30°-60° | 01/05/1997- |
| 086 | 36E0010 | FOOT | 01/05/1997- |
| 087 | 36G1340 | SPRING | 01/05/1997- |
| 088 | 36G2540 | SPRING | 01/05/1997- |
| 089 | 36M1511 | HANDLE | 01/05/1997- |
| 090 | 37M7160 | CTRL BOARD BAND | 01/05/1997- |
| 091 | 35S2830 | PUMP SUPPORT | 01/05/1997- |
| 092 | 37Q1320 | GASKET | 01/05/1997- |
| 093 | 32Z4741 | PRESSURE-SWITCH 30/70 | 18/11/1999- |
| 094 | 35Z0050 | TRAP PLATE | 01/05/1997- |
| 101 | 32Z8510 | FILTER | 01/05/1997- |
| 110 | 35C8220 | PROP. DÉVICE SUPPORT | 01/05/1997- |
| 111 | 3150321 | HEAT.ELEM.PROTECTION | 01/05/1997- |
| 112 | 3150520 | "O" RING | 01/05/1997- |
| 113 | 33Q4440 | DETERGENTCOUPL. | 18/11/1999- |
| 114 | 35E0040 | MOTOR PUMP SUPPORT | 01/05/1997- |
| 115 | 3150430 | "O" RING Ø 56.52 | 01/05/1997- |
| 116 | 36G8540 | WASH BLADES | 01/05/1997- |
| 117 | 36G8550 | 495X58X16 RINSE HUB | 01/05/1997- |

| Pos | Code | Description | Info |
|-----|---------|-----------------|-------------|
| 118 | 36R0030 | PLUG | 01/05/1997- |
| 119 | 33T2740 | SPRAYING NOZZLE | 01/05/1997- |
| 120 | 35X4020 | RH RINSE ARM | 01/05/1997- |
| 121 | 35X4030 | LH RINSE ARM | 01/05/1997- |
| 122 | 33M0300 | SPACER | 13/11/1999- |
| 123 | 3150520 | "O" RING | 01/01/2001- |