

Зип Общепит

vsezip.ru

+7(812)987-08-81



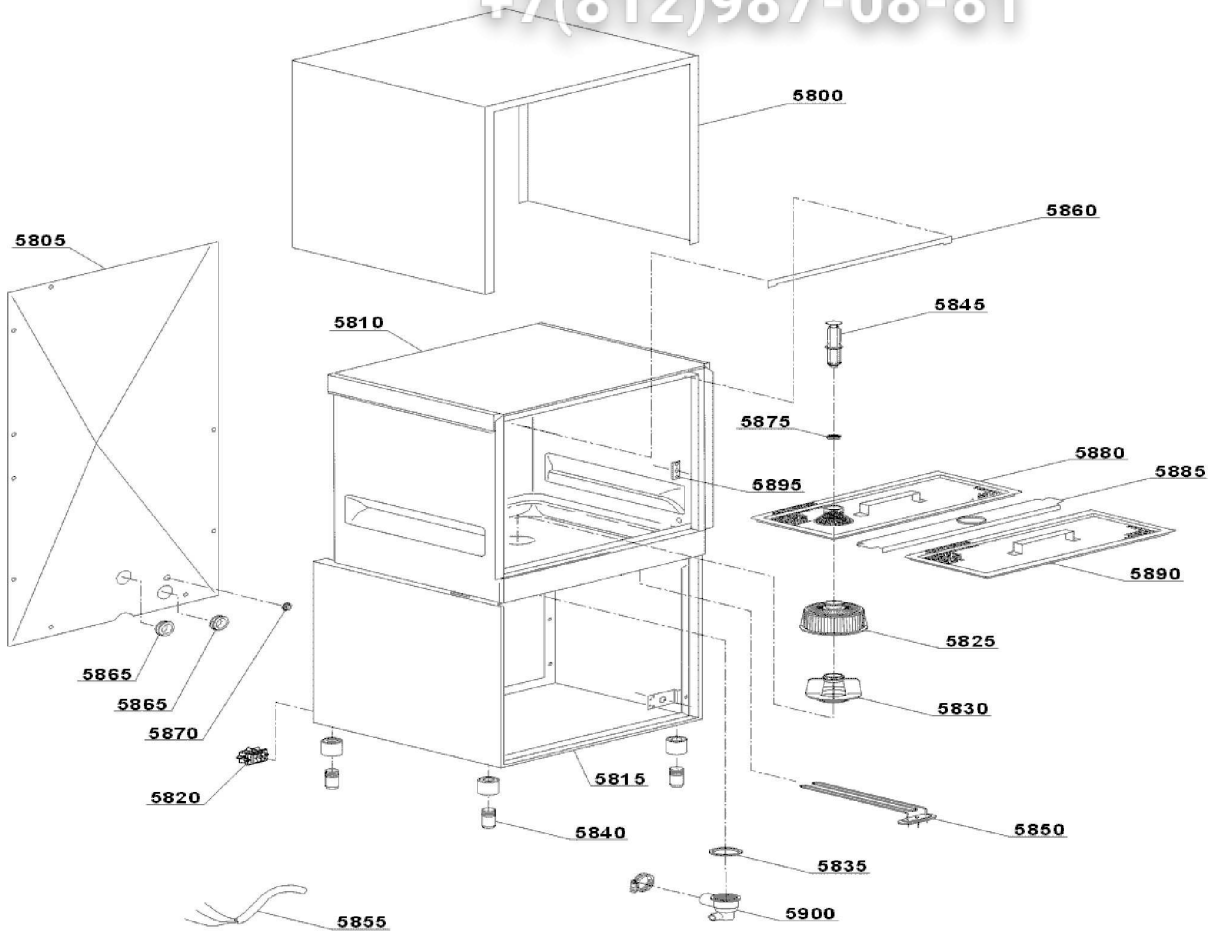
KD85A

Edition 20140315-

Зип Общепит

vsezip.ru

+7(812)987-08-81

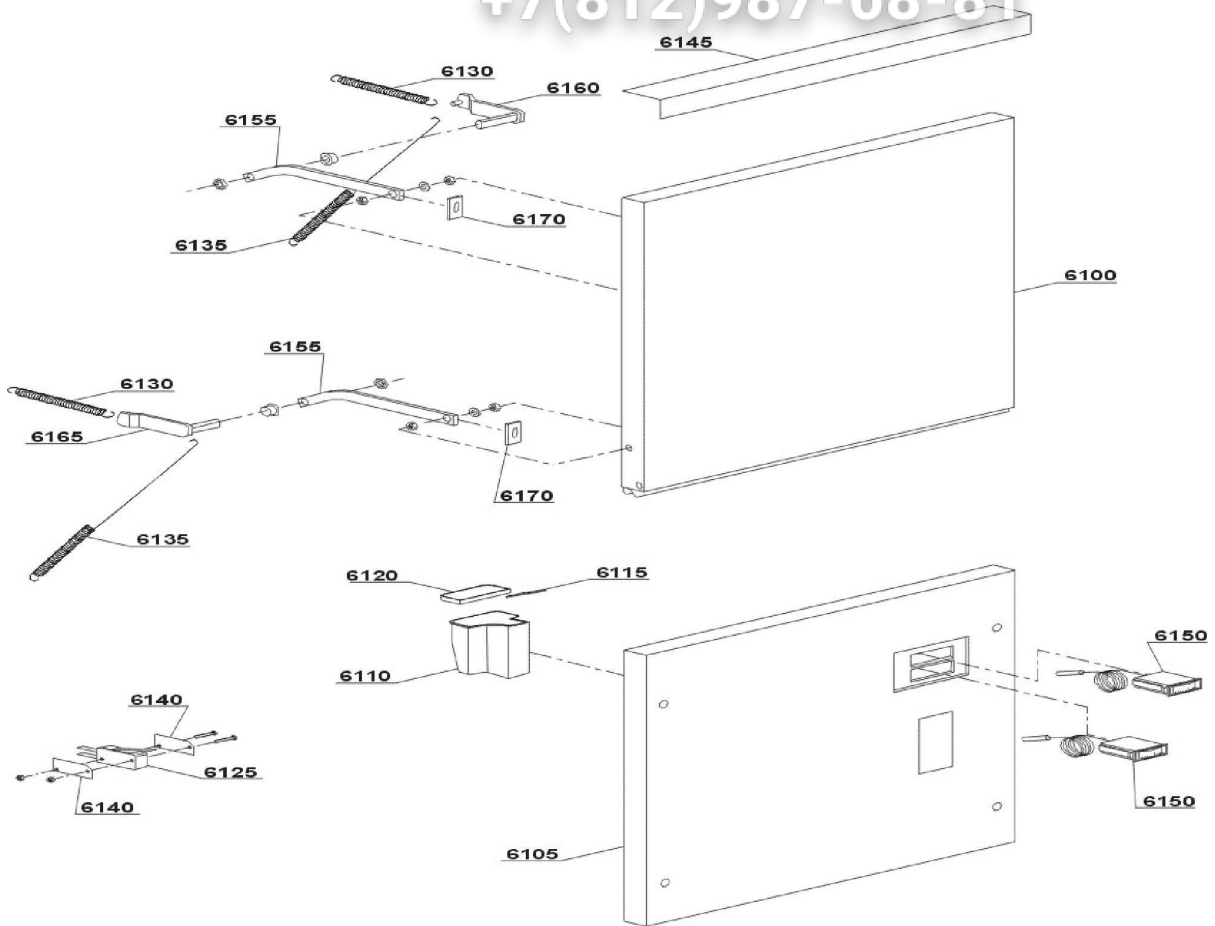


01_009_e

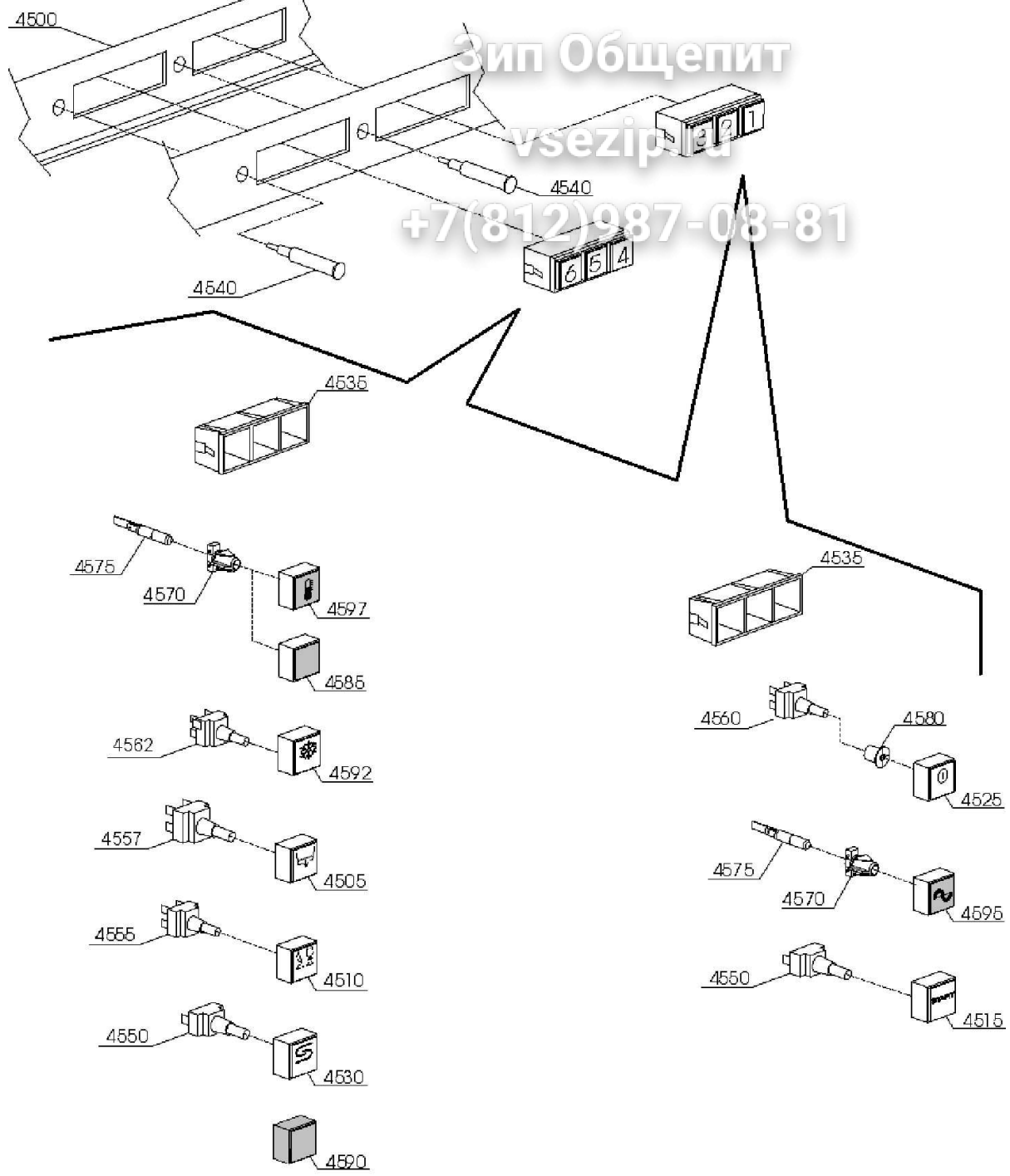
Зип Общепит

vsezip.ru

+7(812)987-08-81



02_106_e



Зип Общепит

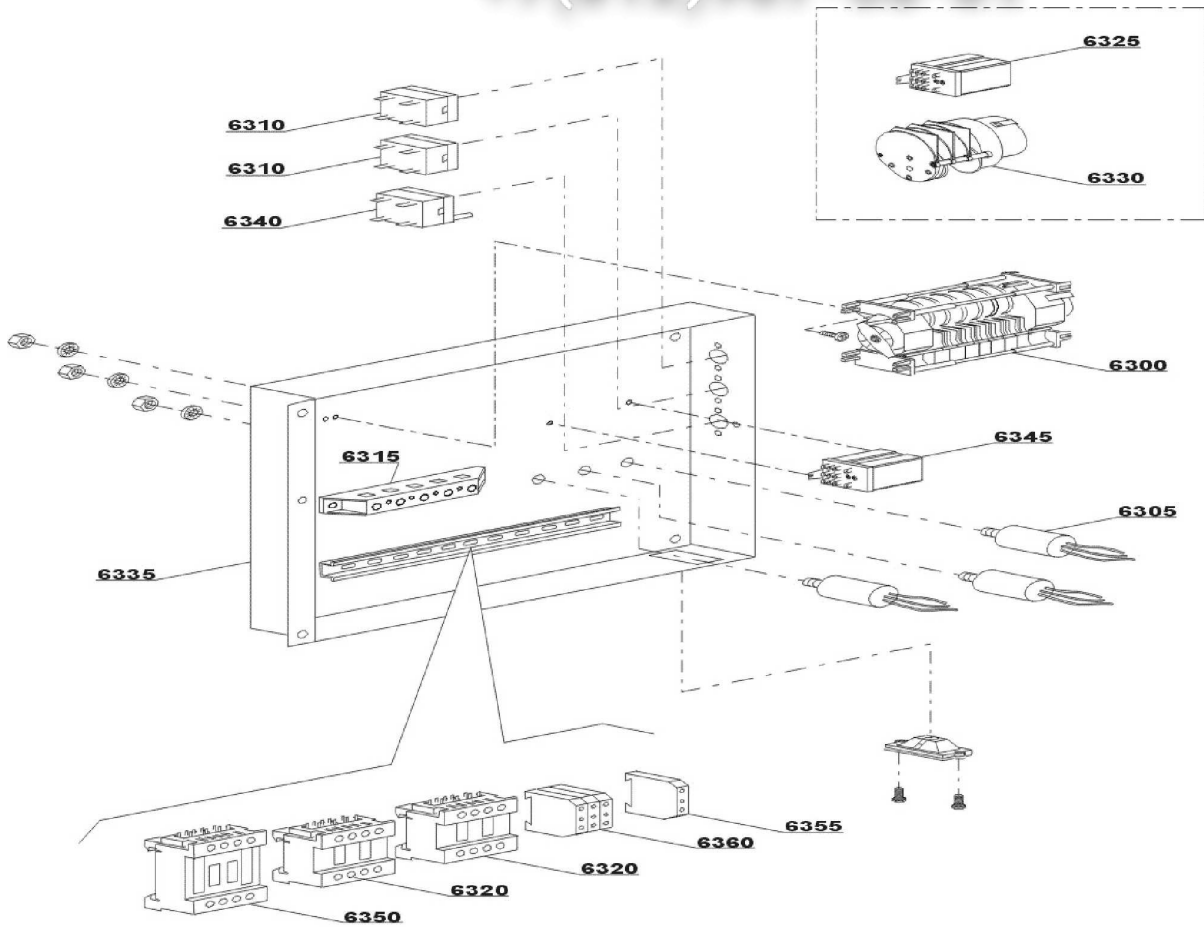
vsezip.ru

+7(812)987-08-81

Зип Общепит

vsezip.ru

+7(812)987-08-81

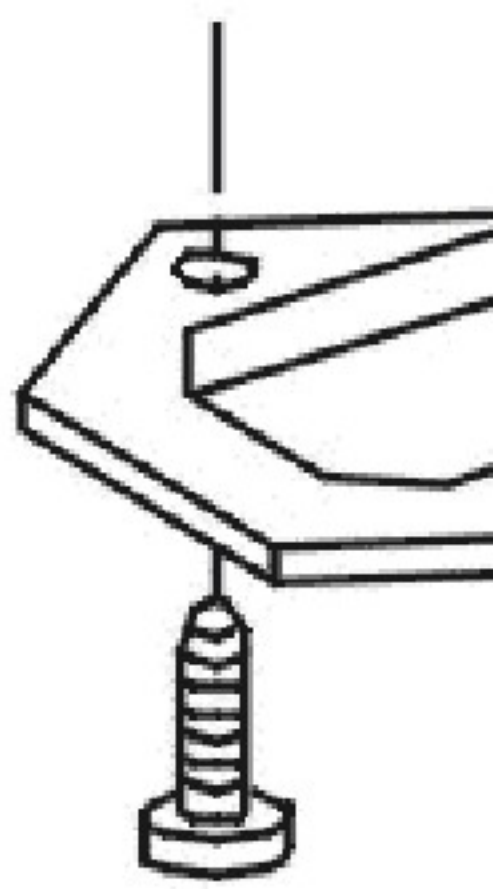


04_008_e

Зип Общепит

vsezip.ru

+7(812)987-08-81

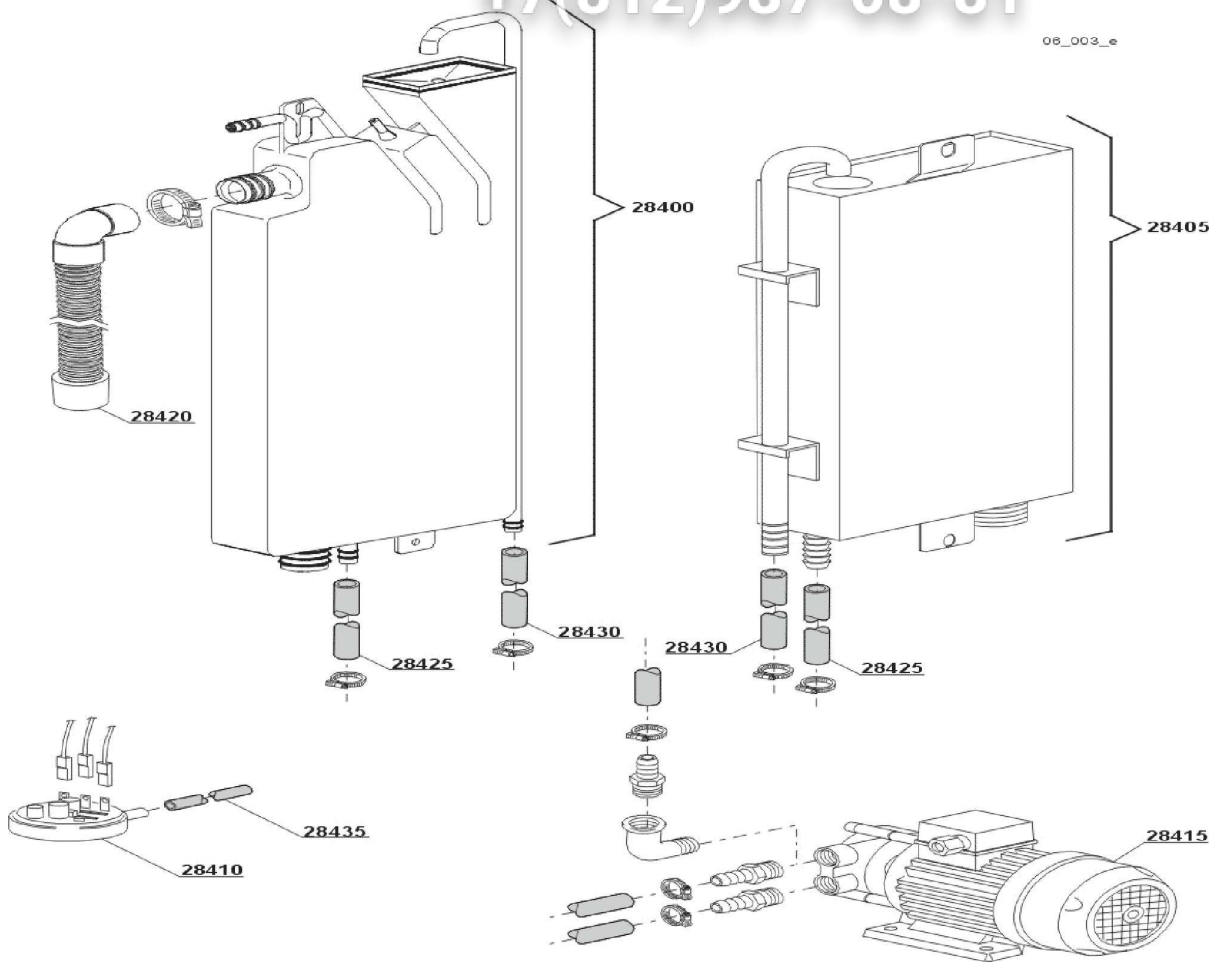


Зип Общепит

vsezip.ru

+7(812)987-08-81

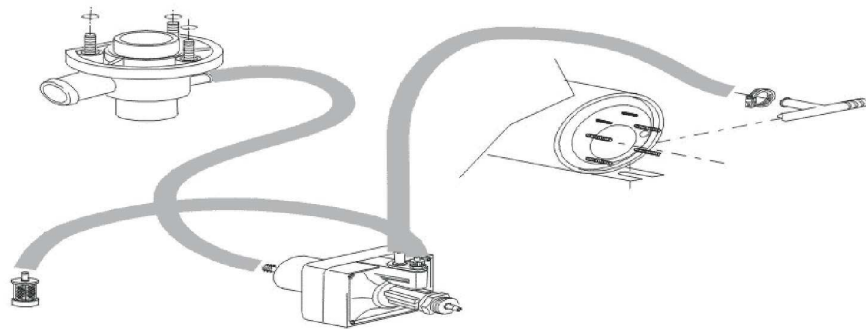
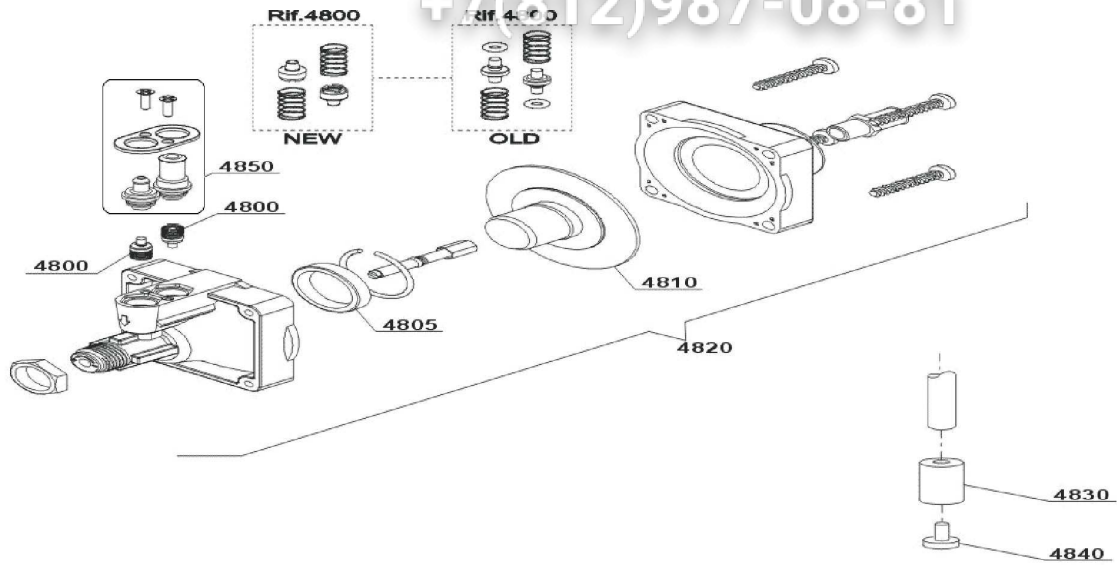
08_003_e



Зип Общепит

vsezip.ru

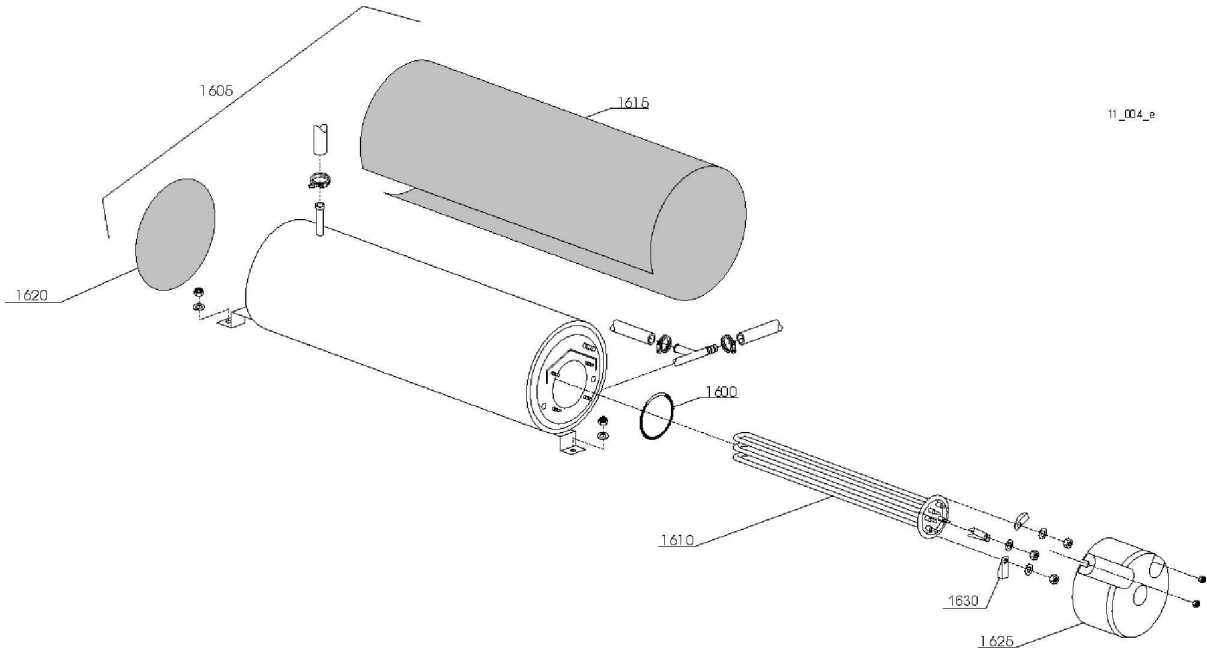
+7(812)987-08-81



Зип Общепит

vsezip.ru

+7(812)987-08-81



Зип Общепит

vsezip.ru

+7(812)987-08-81

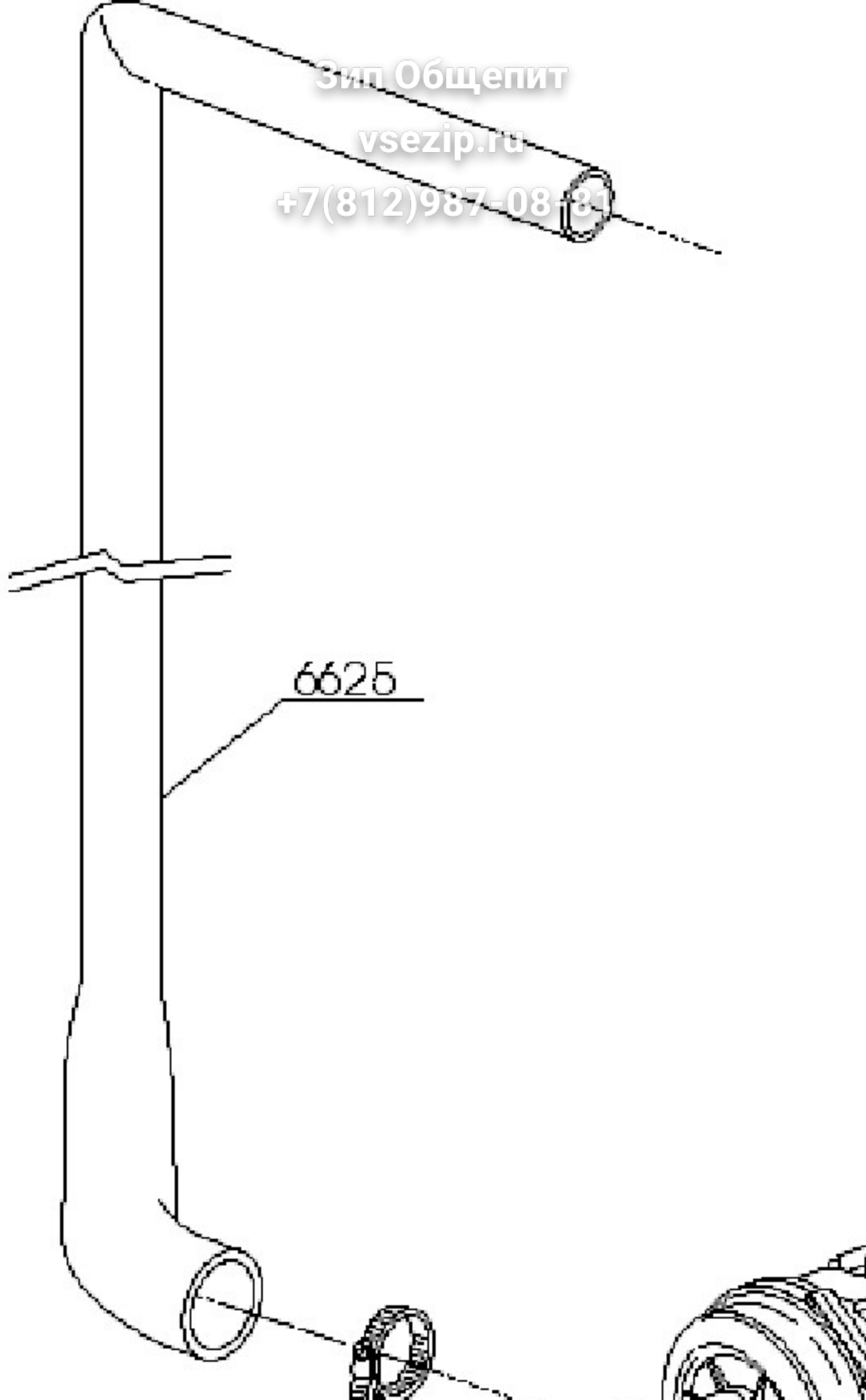
1700



Зип Общепит

vsezip.ru

+7(812)987-08-81

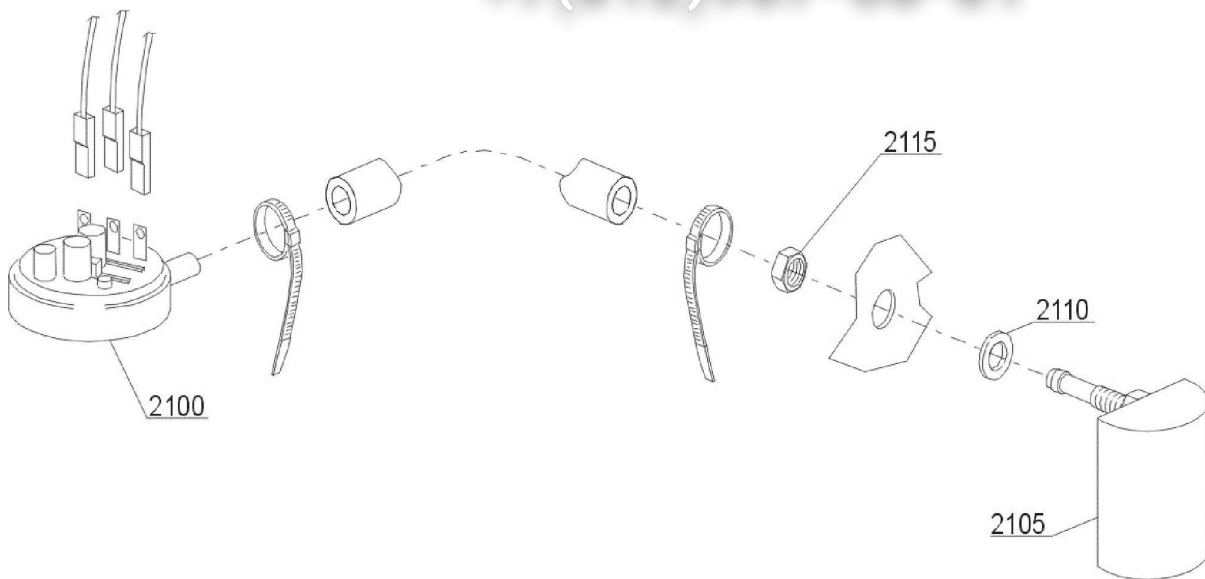


6625

Зип Общепит

vsezip.ru

+7(812)987-08-81



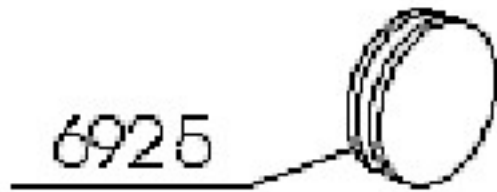
16_001_e

Зип Общепит

vsezip.ru

6930

+7(812)987-08 81



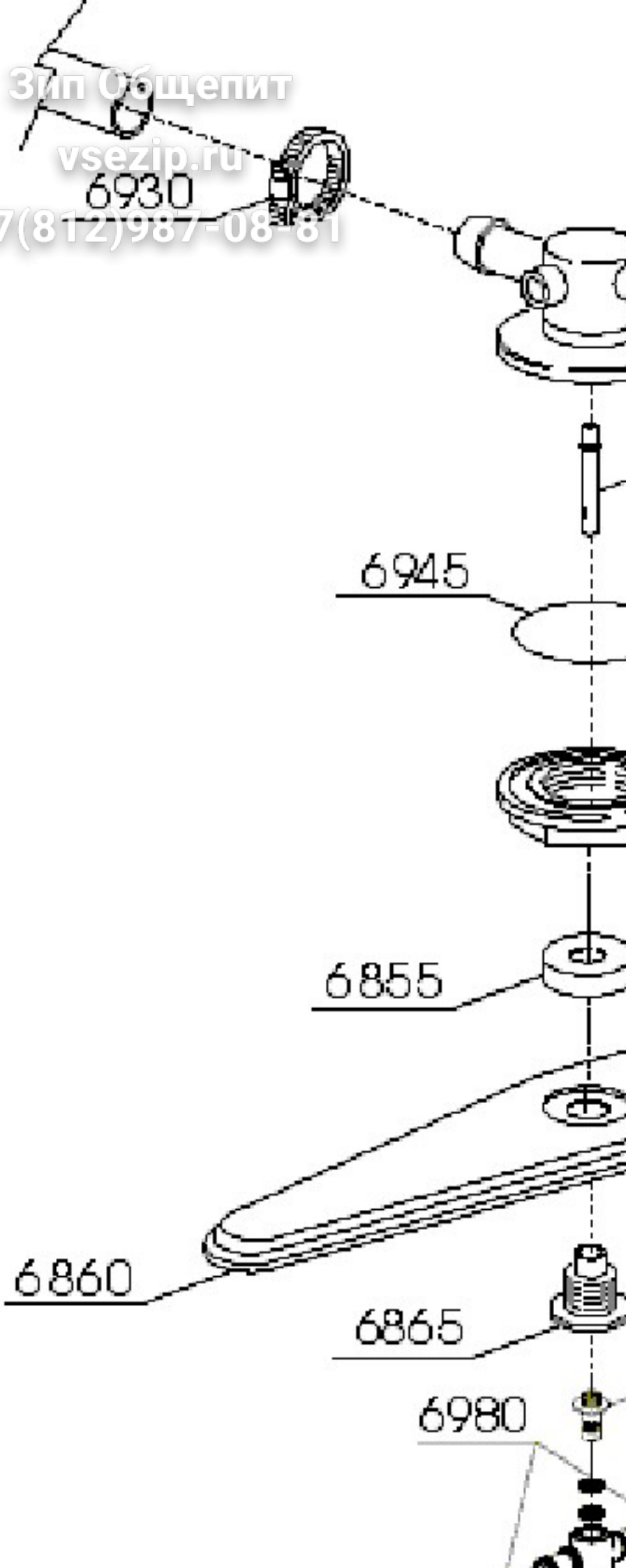
6945

6855

6860

6865

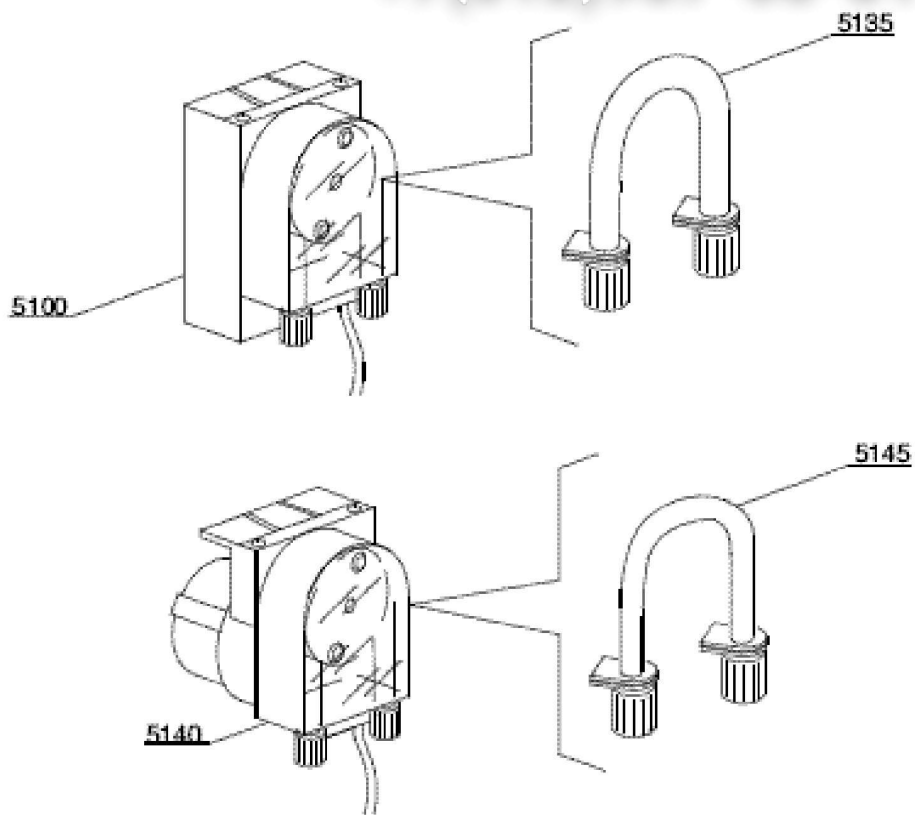
6980



Зип Общепит

vsezip.ru

+7(812)987-08-81



Зип Общепит

vsezip.ru

+7(812)987-08-81

| Page | Pos | Code | Description | Info |
|------|------|----------------|--|-------------|
| 002 | 5800 | KD85A-Pos.5800 | Cover | 01/07/2003- |
| 002 | 5805 | KD85A-Pos.5805 | Back panel | 01/07/2003- |
| 002 | 5810 | KD85A-Pos.5810 | Body | 01/07/2003- |
| 002 | 5815 | KD85A-Pos.5815 | Steel base | 01/07/2003- |
| 002 | 5820 | 32D1850 | Cable-fastener with screw | 01/07/2003- |
| 002 | 5825 | 30Q3250 | Suction filter | 01/07/2003- |
| 002 | 5830 | 3021640 | Ferrule with filter | 01/07/2003- |
| 002 | 5835 | 37Q5100 | 95x75x3 gasket | 01/07/2003- |
| 002 | 5840 | 36E4180 | Foot | 01/07/2003- |
| 002 | 5845 | 33D3360 | Overflow pipe | 01/07/2003- |
| 002 | 5850 | 32G3360 | HEATING 2,7 Kw | 01/07/2003- |
| 002 | 5855 | KD85A-Pos.5855 | 5x4x3400 cable | 01/07/2003- |
| 002 | 5860 | 37Q5120 | Door ledge gasket | 01/07/2003- |
| 002 | 5865 | KD85A-Pos.5865 | O46 mm fairlead | 01/07/2003- |
| 002 | 5870 | KD85A-Pos.5870 | O13mm fairlead | 01/07/2003- |
| 002 | 5875 | 37Q5140 | DEM 40 gasket | 01/07/2003- |
| 002 | 5880 | 3223960 | Surface filter for overflow | 01/07/2003- |
| 002 | 5885 | 3214400 | Sleeper holder-filter | 01/07/2003- |
| 002 | 5890 | 30Q3220 | Surface half-filter | 01/07/2003- |
| 002 | 5895 | KD85A-Pos.5895 | Door rod slide | 01/07/2003- |
| 002 | 5900 | 33M1820 | Scrap tray | 01/07/2003- |
| 003 | 6100 | 30G4390 | Door | 01/07/2003- |
| 003 | 6105 | 3039670 | Lower door | 01/07/2003- |
| 003 | 6110 | 36Z1870 | Square tank | 01/07/2003- |
| 003 | 6115 | 36Z1860 | Tank cover | 01/07/2003- |
| 003 | 6120 | 36Z1850 | Back tank cover | 01/07/2003- |
| 003 | 6125 | 32W4240 | Door microswitch | 01/07/2003- |
| 003 | 6130 | 36H1440 | Short spring door | 01/07/2003- |
| 003 | 6135 | 36H1450 | Long spring door | 01/07/2003- |
| 003 | 6140 | 37Q5180 | Insulating for door microswitc | 01/07/2003- |
| 003 | 6145 | KD85A-Pos.6145 | Steel handle | 01/07/2003- |
| 003 | 6150 | 32V7220 | Thermometer | 01/07/2003- |
| 003 | 6155 | KD85A-Pos.6155 | Door rod | 01/07/2003- |
| 003 | 6160 | 36M7730 | Right hinge door | 01/07/2003- |
| 003 | 6165 | 36M7740 | Left door hinge | 01/07/2003- |
| 003 | 6170 | 3177410 | Hinge door seal | 01/07/2003- |
| 004 | 4500 | KD85A-Pos.4500 | Control panel | 01/07/2003- |
| 004 | 4510 | KD85A-Pos.4510 | Yellow push time selector switch key | 01/07/2003- |
| 004 | 4510 | KD85A-Pos.4510 | Blu time push selector switch key | 01/07/2003- |
| 004 | 4510 | KD85A-Pos.4510 | Green plate/glass push time selector switch | 01/07/2003- |
| 004 | 4510 | KD85A-Pos.4510 | Blu plate/glass push time selector switch | 01/07/2003- |
| 004 | 4510 | KD85A-Pos.4510 | Yellow plate/glass push time selector switch | 01/07/2003- |
| 004 | 4510 | 3100590 | Green time push selector switch | 01/07/2003- |
| 004 | 4515 | KD85A-Pos.4515 | Blu start key | 01/07/2003- |
| 004 | 4515 | 3063320 | Green start key | 01/07/2003- |
| 004 | 4515 | 3273760 | Yellow start key | 01/07/2003- |
| 004 | 4525 | KD85A-Pos.4525 | Blu ON-OFF key | 01/07/2003- |
| 004 | 4525 | KD85A-Pos.4525 | Yellow ON-OFF key | 01/07/2003- |
| 004 | 4525 | 32W4260 | Green ON-OFF key | 01/07/2003- |
| 004 | 4535 | 36U0870 | Square grey triple support | 01/07/2003- |

| Page | Pos | Code | Description | Info |
|------|-------|----------------|------------------------------------|-------------|
| 004 | 4550 | 3040850 | 16A unipolar push button | 01/07/2003- |
| 004 | 4555 | 32W4140 | button 16A bipolar switch | 01/07/2003- |
| 004 | 4557 | 32W4150 | 16A SWITCH ONLY | 01/07/2003- |
| 004 | 4560 | 32W4150 | 16A SWITCH ONLY | 01/07/2003- |
| 004 | 4562 | 3083620 | 16A bipolar switch push button | 01/07/2003- |
| 004 | 4570 | 36U0850 | Pilot light support | 01/07/2003- |
| 004 | 4575 | 32W4220 | Pilot light | 01/07/2003- |
| 004 | 4580 | 33Q6440 | Green-orange cam | 01/07/2003- |
| 004 | 4590 | 36Q2060 | Grey key | 01/07/2003- |
| 004 | 4595 | 3025580 | Green square cycle gem | 01/07/2003- |
| 004 | 4597 | 3065830 | Green square temperature gem | 01/07/2003- |
| 005 | 6300 | 32V7320 | "90/180"" timer 400V/380V-50Hz/6" | 01/07/2003- |
| 005 | 6305 | 32V7020 | Low noise filter | 01/07/2003- |
| 005 | 6310 | 32V7240 | 0-90°C thermostat | 01/07/2003- |
| 005 | 6315 | 32D1860 | 6 poles terminal board | 01/07/2003- |
| 005 | 6315 | KD85A-Pos.6315 | 3 poles terminal board | 01/07/2003- |
| 005 | 6320 | 32V7170 | Remote control switch 230V 50/ | 01/07/2003- |
| 005 | 6320 | 32V7170 | Remote control switch 230V 50/ | 15/03/2014- |
| 005 | 6335 | 3244610 | Electric components panel | 01/07/2003- |
| 005 | 6340 | 32V7260 | SAFETY THERMOSTAT | 01/07/2003- |
| 005 | 6345 | 32V7100 | Bipolar relay in deviation | 01/07/2003- |
| 005 | 6350 | 32V7200 | 25A/12A remote control switch | 01/07/2003- |
| 006 | 800 | 33D3280 | Modification Single solenoid valve | 01/07/2003- |
| 006 | 820 | KD85A-Pos.820 | Pression reducing valve | 01/07/2003- |
| 007 | 28400 | 3055420 | 3,5 L Break tank assembly | 01/07/2003- |
| 007 | 28405 | 3025820 | 2,4 L Break tank assembly | 01/07/2003- |
| 007 | 28410 | 32V7060 | 47-27 pressure switch | 01/07/2003- |
| 007 | 28415 | 3057760 | Booster pump 220/240V - body p | 01/07/2003- |
| 007 | 28420 | 3049540 | MEDIUM PIPE L=920 | 01/07/2003- |
| 007 | 28425 | 3051290 | RUBBER PIPE EPDM 12X20 | 01/07/2003- |
| 007 | 28430 | 3051300 | RUBBER PIPE PVC WRAS | 01/07/2003- |
| 007 | 28435 | 3036160 | 4,5X9 EPDM rubber pipe | 01/07/2003- |
| 008 | 4800 | 3023040 | Tecnopro dosing valve | 01/07/2003- |
| 008 | 4805 | 3024680 | O22 gasket | 01/07/2003- |
| 008 | 4810 | 3206600 | Membrane | 01/07/2003- |
| 008 | 4820 | 33D3240 | 3 out shining product dosing d | 01/07/2003- |
| 008 | 4830 | 36H1500 | Counter-weight | 01/07/2003- |
| 008 | 4840 | 30Q3210 | Small filter | 01/07/2003- |
| 008 | 4850 | 3187520 | Flexible-pipe holder | 01/07/2003- |
| 009 | 1600 | 37Q5260 | 6225 OR 160 NBR gasket | 01/07/2003- |
| 009 | 1605 | 34A2560 | Boiler + insulating boiler | 01/07/2003- |
| 009 | 1610 | 3037760 | 6KW heating element | 01/07/2003- |
| 009 | 1615 | 3216940 | Boiler insulating | 01/07/2003- |
| 009 | 1620 | 3216950 | Ø160 bottom | 01/07/2003- |
| 009 | 1625 | 35E8870 | Heating element guard | 01/07/2003- |
| 009 | 1630 | 3113780 | HEATING ELEMENT SUPPORT | 01/07/2003- |
| 010 | 1700 | 3012560 | 3 ways derivation | 01/07/2003- |
| 010 | 1705 | 3140230 | 12/20 PIPE CLAMP | 01/07/2003- |
| 011 | 6600 | 32M6990 | WASHING PUMP | 01/07/2003- |
| 011 | 6605 | 32V6990 | Condenser 16 uF | 01/11/2004- |
| 011 | 6610 | 3092510 | Pump pipe coupling | 01/11/2004- |

| Page | Pos | Code | Description | Info |
|------|------|---------|---|-------------|
| 011 | 6625 | 3092520 | Top delivery pipe | 01/11/2004- |
| 011 | 6630 | 33M1820 | Scrap tray | 01/07/2003- |
| 011 | 6635 | 3020380 | Scroll | 01/07/2003- |
| 011 | 6640 | 3020400 | OR gasket | 01/07/2003- |
| 011 | 6645 | 3036790 | ROTATING SEALS | 01/07/2003- |
| 011 | 6650 | 3020390 | Pump rotor | 01/07/2003- |
| 012 | 2100 | 32V7070 | Modification 76-38 pressure switch | 01/07/2003- |
| 012 | 2105 | 33D3330 | Grey air trap assembly | 01/07/2003- |
| 012 | 2110 | 37Q5130 | Gasket | 01/07/2003- |
| 012 | 2115 | 33Q6470 | M8 stainless steel nut | 01/07/2003- |
| 013 | 6830 | 33Q6680 | Top/lower turret | 01/11/2004- |
| 013 | 6855 | 33Q6490 | Nut for hub | 01/07/2003- |
| 013 | 6860 | 36H1400 | Stainless steel wash rotor | 01/07/2003- |
| 013 | 6865 | 33Q6590 | Hub for rotor | 01/07/2003- |
| 013 | 6870 | 36E4130 | Hub rotor/pipe coupling spacer | 01/07/2003- |
| 013 | 6875 | 33M1760 | Lower pipe coupling | 01/11/2004- |
| 013 | 6880 | 33Q5350 | Rinse lower distributor connec | 01/07/2003- |
| 013 | 6885 | 37Q5260 | 6225 OR 160 NBR gasket | 01/07/2003- |
| 013 | 6890 | 33Q6680 | Top/lower turret | 01/07/2003- |
| 013 | 6895 | 3028930 | Top/lower rinse group | 31/07/2009- |
| 013 | 6900 | 3036720 | Rinse axle | 01/11/2004- |
| 013 | 6910 | 3036730 | Rinse screw | 01/11/2004- |
| 013 | 6915 | 3035840 | OPENED HEAD RINSE | 31/07/2009- |
| 013 | 6925 | 3113650 | NOZZLE DVGW hole gasket | 01/07/2003- |
| 013 | 6930 | 3223050 | 25/40 clamp | 01/11/2004- |
| 013 | 6935 | 3140230 | 12/20 PIPE CLAMP | 01/11/2004- |
| 013 | 6940 | 35Z6760 | Rinse axle extension | 01/11/2004- |
| 013 | 6945 | 37Q5260 | 6225 OR 160 NBR gasket | 01/11/2004- |
| 013 | 6950 | 3036900 | RING NUT FOR FIXING TURRET | 01/11/2004- |
| 013 | 6955 | 3175070 | Rinse rotor | 31/07/2009- |
| 013 | 6960 | 3176000 | Right rinse pipe | 31/07/2009- |
| 013 | 6965 | 3176010 | Left rinse pipe | 31/07/2009- |
| 013 | 6970 | 3040290 | CLOSED HEAD RINSE NOZZLE | 31/07/2009- |
| 013 | 6975 | 3176020 | GASKET | 31/07/2009- |
| 013 | 6980 | 3035830 | OR R6 NBR gasket | 31/07/2009- |
| 014 | 5100 | 3040280 | DETERGENT AID PUMP SEKO/GERMAC/PLAS | 01/07/2003- |
| 014 | 5135 | 3182520 | CONT PIPE SEKO | 01/07/2003- |
| 014 | 5140 | 3040280 | DETERGENT AID PUMP SEKO/GERMAC/PLAS X CONT | 01/07/2003- |
| 014 | 5145 | 3182530 | Ø8 Germac thermoplastic pipe | 01/07/2003- |
| 015 | 001 | 3023890 | DRAIN PUMP ASSEMBLY (ACCESSORY TO BE | 01/01/2008- |