

Зип Общепит

vsezip.ru

+7(812)987-08-81



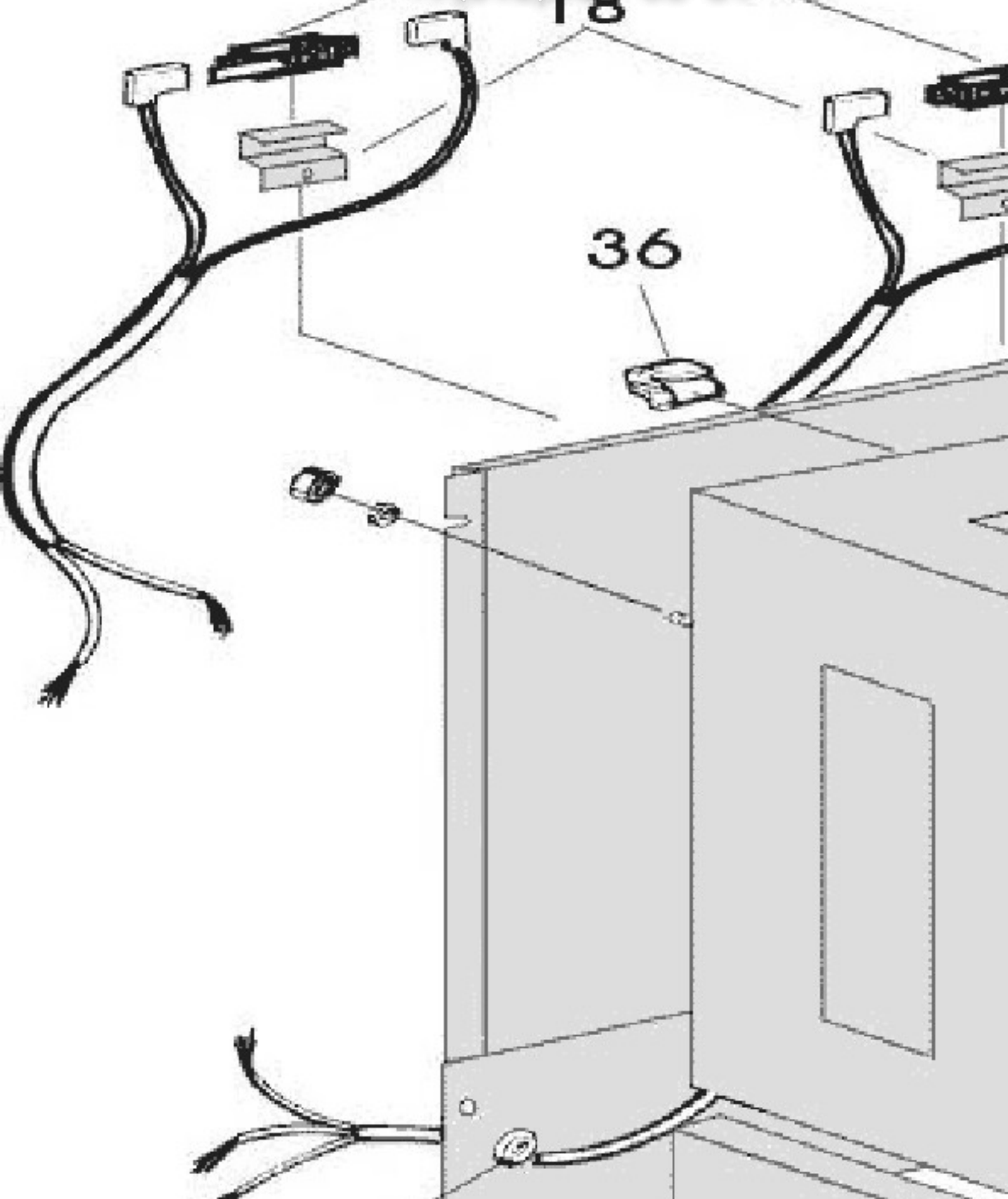
**LT10R**

**Edition 20070901-**

Зип Общепит

21  
vsezip.ru

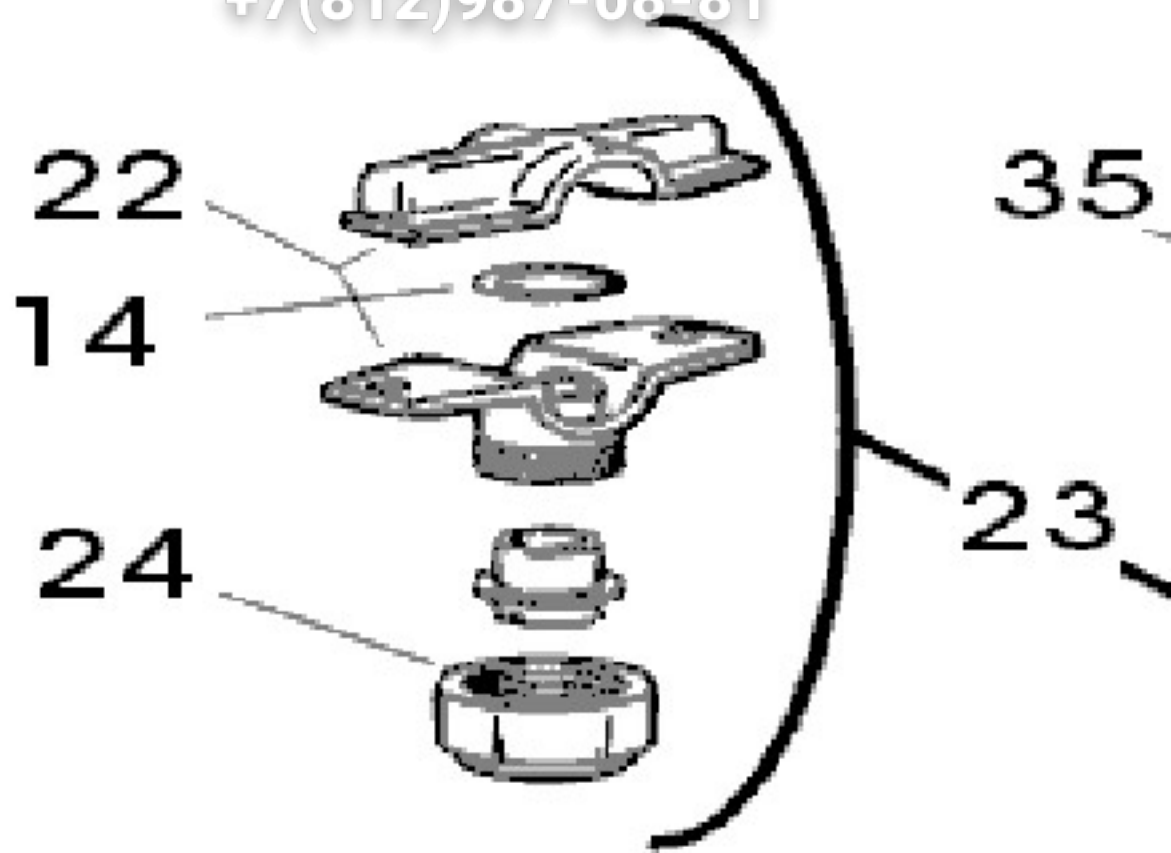
+7(812)987-08-81



Зип Общепит

vsezip.ru

+7(812)987-08-81



28

27

26

25

17

5

Зип Общепит

vsezip.ru

+7(812)987-08-81

6

5

Page	Pos	Code	Description	Info
002	001	32Z7190	PRESSURE-SWITCH	12/01/2000-
002	002	LT10R-Pos.002	GROMMET	12/01/2000-
002	003	32Z8840	THERMOSTAT 30-90C	12/01/2000-
002	004	36M1600	FOOT H. 20 DIAM. 30X10MA	12/01/2000-
002	005	32W1230	GREEN LIGHT	12/01/2000-
002	006	32W1250	BLUE LIGHT	12/01/2000-
002	007	36M1580	HANDLE	12/01/2000-
002	008	36M1590	KNOB	12/01/2000-
002	009	3150550	O.R. GASKET 6.07X1.78	12/01/2000-
002	010	36G8360	RIGHT TWISTING SPRING D. 3mm	12/01/2000-
002	011	36G7400	SPRING STRETCHER DIAM. 18	12/01/2000-
002	012	36G8350	TWISTING SPRING	12/01/2000-
002	013	37Q1590	BASE-PANEL SEALING AL 30/40/31/41	12/01/2000-
002	014	36G1740	SPRING OF LEVEL CONTROL HOSE	12/01/2000-
002	015	36G8370	Lockpin	12/01/2000-
002	016	32Z5720	PROGRAMMER	12/01/2000-
002	017	7523/AP	PANEL	12/01/2000-
002	018	LT10R-Pos.018	DOOR SWITCH	12/01/2000-
002	019	7532/N	BRACKET NEUTRAL HANDLE	12/01/2000-
002	020	32W1200	SWITCH	12/01/2000-
002	021	32W1180	PROTECTED MICROSWITCH	12/01/2000-
002	022	32Z7200	THERMOSTAT 90°	12/01/2000-
002	023	32G0480	HEATING ELEMENT	12/01/2000-
002	024	32W1300	SWITCH	01/09/2004-
002	025	32W1220	WHITE LIGHT	12/01/2000-
002	026	37Q3910	DOOR GASKET	12/01/2000-
002	027	32W1300	SWITCH	01/09/2004-
002	028	36G8380	SPRING	12/01/2000-
002	029	32W1300	SWITCH	12/01/2000-
002	030	36H0980	DOOR SWITCH TUBE	12/01/2000-
002	031	36H0990	ROD OF DOOR- SWITCH	12/01/2000-
002	032	35X3120	PRESSURE ACCUMULATOR TUBE	12/01/2000-
002	033	3601340	RUBBER BUMPER	12/01/2000-
002	034	33D0410	PRESSURE SWITCH	12/01/2000-
002	035	3150630	NYLON O.R. GASKET 4X8	12/01/2000-
002	036	LT10R-Pos.036	BACK GROMMET	12/01/2000-
002	037	33Q3440	MICROSWITCH ROD BUSHING	12/01/2000-
003	001	3FL0234	WASHING HELICAL WHIRL JET	12/01/2000-
003	002	33T2900	WASHING JET	12/01/2000-
003	003	33Q3200	WING NUT	12/01/2000-
003	004	35Q9940	PUMP INTAKE FILTER	12/01/2000-
003	005	3152470	"OR" GASKET 20.22X3.53	12/01/2000-
003	006	33M0350	PIPE	12/01/2000-
003	007	33D2100	SAFETY VALVE	01/09/2007-
003	008	36G1440	ROTATING DEVICE	12/01/2000-
003	009	36G2200	BEARING	12/01/2000-
003	010	33Q1930	RING NUT	12/01/2000-
003	011	32Z8270	CONTACT THERMOSTAT	12/01/2000-
003	012	33M0710	HOSE FROM T-TUBE TO LOWER RINSING	12/01/2000-
003	013	33M0680	HOSE FROM T-TUBE TO SOLENOID VALVE	12/01/2000-
003	014	3150450	O RING	12/01/2000-

Page	Pos	Code	Description	Info
003	015	33Q3660	PLUG	12/01/2000-
003	016	33M0660	SLEEVE	12/01/2000-
003	017	33Q4400	JOINT FOR RINSING ROD	12/01/2000-
003	018	33T2910	JET HOLDER DIAM. 18	12/01/2000-
003	019	36G2300	PIN	12/01/2000-
003	020	36G2130	SHAFT RING	12/01/2000-
003	021	36G7790	WASHING COLUMN	12/01/2000-
003	022	33T1140	NOZZLE HOLDER	12/01/2000-
003	023	3240500	NOZZLE ASSEMBLY	12/01/2000-
003	024	33Q1310	RING NUT	12/01/2000-
003	025	3152100	GASKET	12/01/2000-
003	026	3191080	WASHER	12/01/2000-
003	027	3120210	RING	12/01/2000-
003	028	33Q3610	RING NUT	12/01/2000-
003	029	3152110	O RING	12/01/2000-
003	030	3191090	WASHER	12/01/2000-
003	031	3120220	RING 18X3	12/01/2000-
003	032	33Q3620	RING NUT	12/01/2000-
003	033	3152090	COLUMN GASKET AL	12/01/2000-
003	034	33Q4410	RING NUT 1/2" GAS	12/01/2000-
003	035	LT10R-Pos.035	RINSING ROD AL 30/31	12/01/2000-
003	036	33D0390	OVERFLOW PIPE	12/01/2000-
003	037	33Q1420	DRAIN	12/01/2000-
003	038	37Q1070	GASKET	12/01/2000-
003	039	33Q1430	RING NUT	12/01/2000-
003	040	33D2440	DRAIN ELBOW HOSE 1" X 25	12/01/2000-
003	041	35Z0240	DRAIN PIPE	12/01/2000-
003	042	32G0540	BOILER HEATING ELEMENT +"OR"	12/01/2000-
003	043	35Z1100	HOSE FROM DISPENSER TO RINSE- AID TANK	12/01/2000-
003	044	LT10R-Pos.044	HOSE FROM T- JUNCTION TO	12/01/2000-
003	045	3150380	DISPENSER O RING	12/01/2000-
003	046	32D1130	PLATE	12/01/2000-
003	047	33D0240	SOLENOID VALVE	12/01/2000-
003	048	33Q1240	INTAKE HOSE	12/01/2000-
003	049	33Q1230	OUTLET HOSE	12/01/2000-
003	050	32M2950	PUMP HOSE FROM OUTLET	12/01/2000-
003	051	33M0690	OF WATER SOFTENER TO T-JOINT OF	12/01/2000-
003	052	35S2630	DISPENSER SPACER	12/01/2000-
003	053	34A0700	BOILER	12/01/2000-
003	054	30Z2190	RIGHT LOWER WASHING ARM	12/01/2000-
003	055	33D0380	RINSE AID DISPENSER	12/01/2000-
003	056	35Z1090	"REDUCED ""T""-	12/01/2000-
003	057	3187530	JUNCTION" O RING	12/01/2000-
004	001	32M2950	PUMP	12/01/2000-
004	002	LT10R-Pos.002	OPEN PUMP MOTOR HP. 0.15	12/01/2000-
004	003	LT10R-Pos.003	PUMP BEARING	12/01/2000-
004	004	LT10R-Pos.004	FLANGE OF OPEN PUMP HP. 0.15	12/01/2000-
004	005	3152130	O.R. GASKET OF OPEN PUMP HP. 0.15	12/01/2000-
004	006	LT10R-Pos.006	PUMP SEAL	12/01/2000-
004	007	36G1450	IMPELLER	12/01/2000-
004	008	LT10R-Pos.008	SCROLL OF OPEN PUMP HP.0.15	12/01/2000-