

Зип Общепит

DESPIECE TECNICO

vsezip.ru

+7(812)987-08-81

Lavavajillas
Lavevaisselle
Dishwasher
Geschirrspüler
Lavastoviglie

Modelos:

AD-120

AD-120B

ADE-120

ADE-120B

Diciembre 2009 December

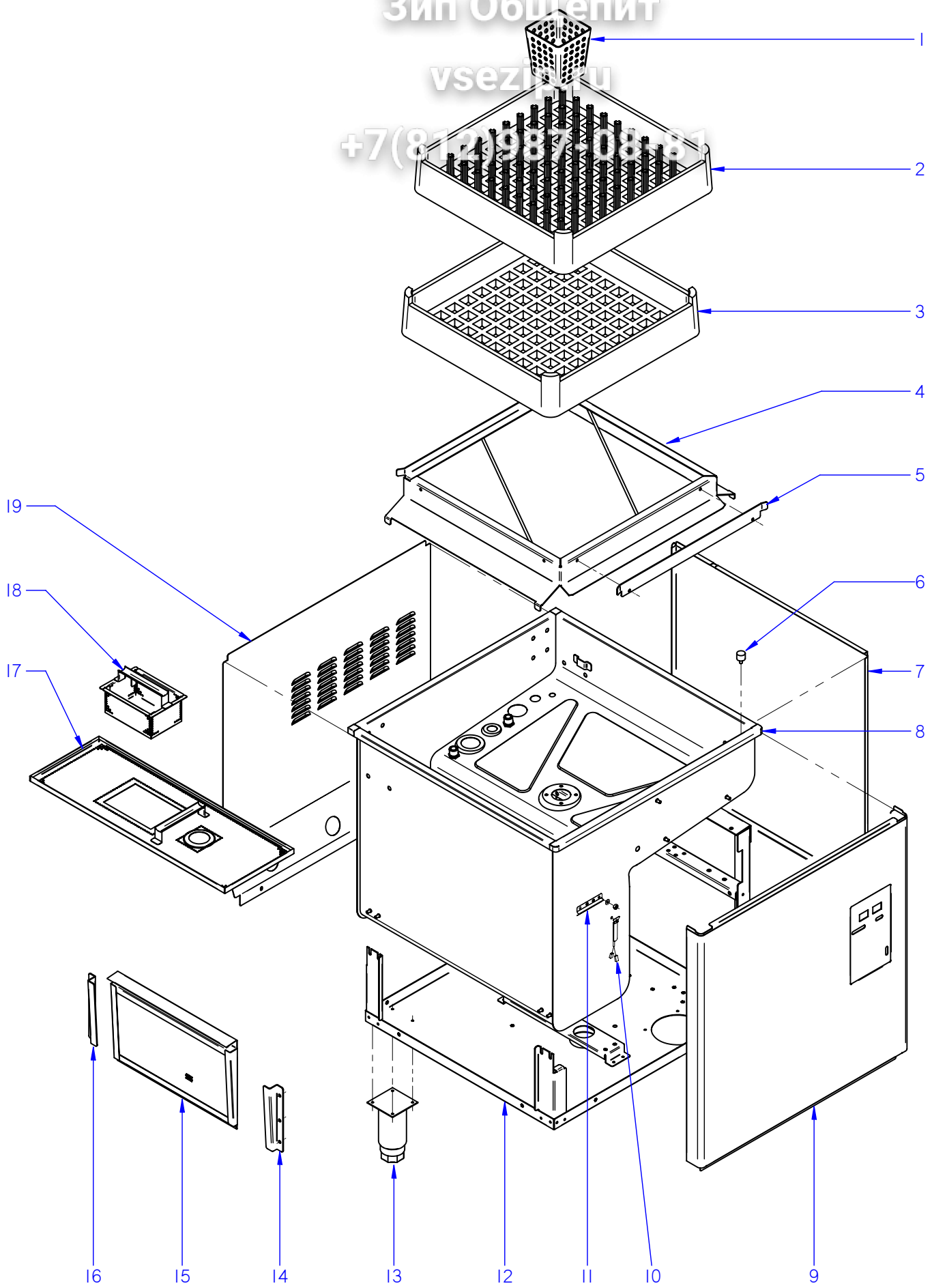


Fagor Industrial

Зип Общепит

vsezi.ru

+7(812)98710881



ITEM MARCADO EN COLOR = REPUESTO RECOMENDADO
COLOURED ITEM = RECOMMENDED SPARE PART

N plano	Firma	Fecha	Aparato	MUEBLE	Lamina	Fagor Industrial S.Coop. FAGOR
C-2485	<i>(Signature)</i>	2009-12	LAVAVAJILLAS AD-120 / ADE-120		1	Oñate

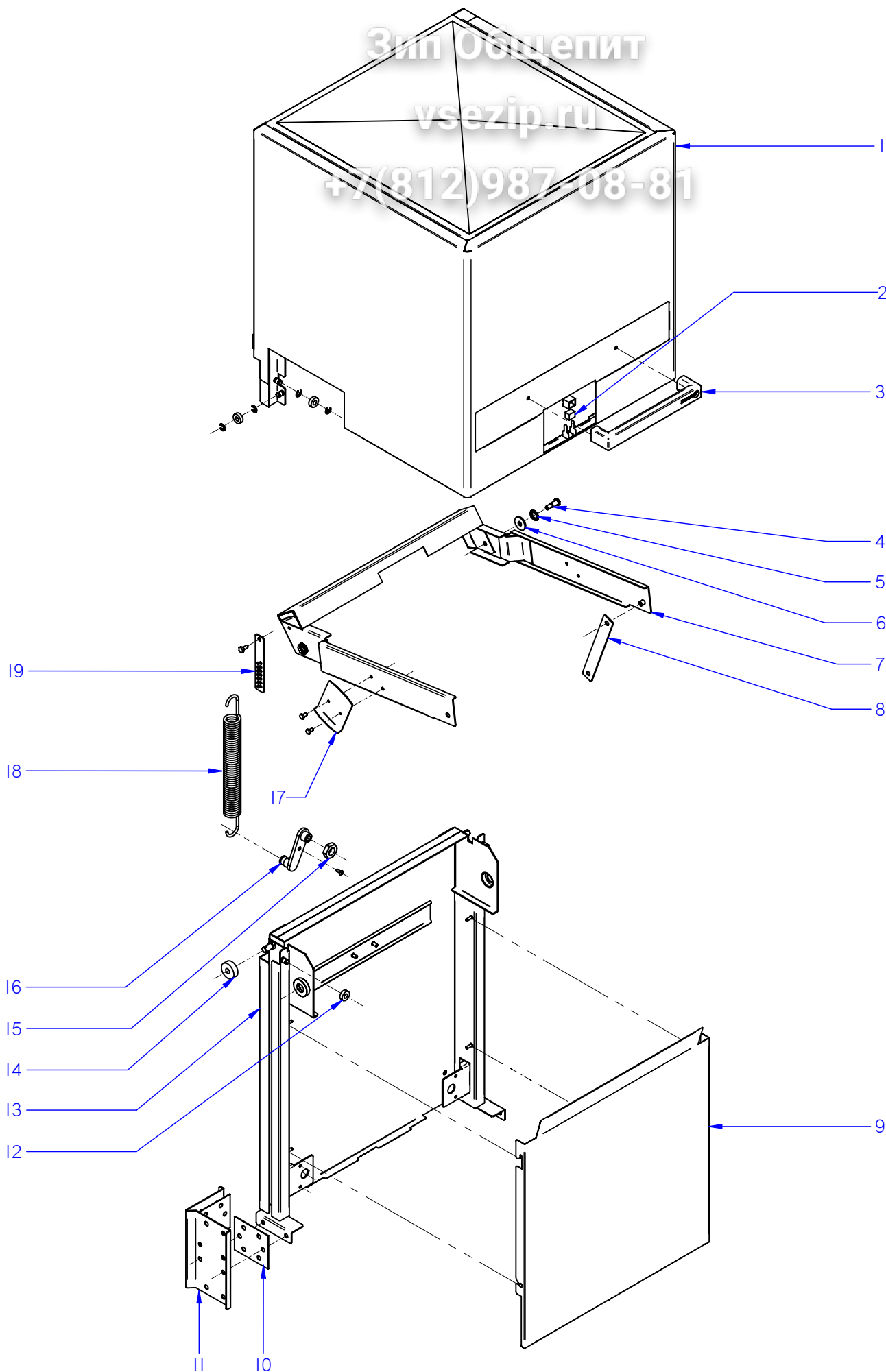
MOD.	LAVAVAJILLAS DE CAPOTA	ZONA	MUEBLE				
ITEM	CODIGO	DENOMINACION	TEXTO	AD-120	AD-120B	ADE-120	ADE-120B
1	Z655314000	CESTILLO CUBIERTOS	CUTLERY BASKET	8	8	8	8
2	Z655302000	CESTILLO PLATOS CP-16-18	PLATE BASKET CP-16-18	2	2	2	2
3	Z655301000	CESTILLO BASE CT-10	BASE BASKET CT-10	1	1	1	1
4	Z710377000	BASE CESTILLO COMPLETA	COMPLETE BASKET BASE	1	1	1	1
5	Z710326000	GUIA CESTILLO	BASKET GUIDE	1	1	1	1
	Q152004000	TORNILLO APLAST. M5x13 A304	MUSHROOM HEAD BOLT M5x13	2	2	2	2
	Q242030000	ARANDELA ABANICO A5 A.304	FAN WASHER A5 A.304	2	2	2	2
	Q162030000	TUERCA EXAGONAL M5	HEXAGONAL NUT M5	2	2	2	2
	Q308000000	ARANDELA DUBO A.8	DUBO A.8 WASHER	14	14	14	14
6	Z710316000	AMORTIGUADOR	DAMPER	2	2	2	2
	Q262040000	ARANDELA GROW. A6 A.304	WASHER GROW. A6 A.304	2	2	2	2
	Q162040000	TUERCA EXAGONAL M6	HEXAGONAL NUT M6	2	2	2	2
	Q012073000	TORNILLO EXAGONAL M12x20	HEXAGONAL BOLT M12x20	1	1	1	1
	Q306024000	JUNTA 18x12.2x1.5	SEAL 18x12.2x1.5	1	1	1	1
	Q162070000	TUERCA EXAGONAL M12	HEXAGONAL NUT M12	1	1	1	1
7	Z749311000	PANEL LATERAL DERECHO	RIGHT SIDE PANEL	1	1	1	1
	Q152004000	TORNILLO APLAST. M5x13 A304	MUSHROOM HEAD BOLT M5x13	2	2	2	2
S/Nº	Z749312000	PANEL LATERAL IZQUIERDO	LEFT SIDE PANEL	1	1	1	1
	Q152004000	TORNILLO APLAST. M5x13 A304	MUSHROOM HEAD BOLT M5x13	2	2	2	2
8	Z710378000	CUBA COMPLETA AD-100-120	COMPLETE TUB AD-100-120	1	1	1	1
	Q232040000	ARANDELA A6	WASHER A6	4	4	4	4
	Q302022000	ARANDELA 16x6x1.2 A.304	WASHER 16X6X1.2 A.304	4	4	4	4
	Q262040000	ARANDELA GROW. A6 A.304	WASHER GROW. A6 A.304	8	8	8	8
	Q162040000	TUERCA EXAGONAL M6	HEXAGONAL NUT M6	8	8	8	8
9	Z712937000	PANEL FRONTAL AD-80-100-120	FRONT PANEL AD-80-100-120	1	1	1	1
10	Z713028000	SONDAS TEMPERATURA GICAR	GICAR TEMPERATURE GAUGE	1	1	1	1
S/Nº	Z718004000	AMARRE SONDA	PROBE FASTENING	1	1	1	1
	Q242020000	ARANDELA ABANICO A.4 A304	FAN WASHER A.4 A304	1	1	1	1
	Q162020000	TUERCA EXAGONAL M4	HEXAGONAL NUT M4	1	1	1	1

MOD.		LAVAVAJILLAS DE CAPOTA		ZONA	MUEBLE			
ITEM	CODIGO	DENOMINACION	TEXTO	AD-120	AD-120B	ADE-120	ADE-120B	
11	Z748008000	SOPORTE BULBO TERMOSTATO	THERMOSTAT BULB SUPPORT	1	1	1	1	
	Q162040000	TUERCA EXAGONAL M6	HEXAGONAL NUT M6	2	2	2	2	
	Q232040000	ARANDELA A6	WASHER A6	2	2	2	2	
	Q262040000	ARANDELA GROW. A6 A.304	WASHER GROW. A6 A.304	2	2	2	2	
12	Z749303000	ARMAZON COMPLETO	COMPLETE FRAME	1	1	1	1	
13	X260151000	PATA REGULABLE	ADJUSTABLE LEG	4	4	4	4	
	Q411304000	REMACHE AVIBULB Ø4,8	AVIBULB RIVET Ø4.8	16	16	16	16	
14	Z710309000	GUIA FILTRO ANTERIOR	FRONT FILTER GUIDE	1	1	1	1	
	Q232040000	ARANDELA A6	WASHER A6	2	2	2	2	
	Q162040000	TUERCA EXAGONAL M6	HEXAGONAL NUT M6	2	2	2	2	
15	Z710907000	FILTRO COMPLETO	COMPLETE FILTER	1	1	1	1	
16	Z710310000	GUIA FILTRO POSTERIOR	REAR FILTER GUIDE	1	1	1	1	
	Q232040000	ARANDELA A6	WASHER A6	2	2	2	2	
	Q162040000	TUERCA EXAGONAL M6	HEXAGONAL NUT M6	2	2	2	2	
17	Z710801000	BANDEJA COMPLETA	COMPLETE TRAY	1	1	1	1	
18	Z710804000	RECOGEDOR DESPERDICIOS	WASTE COLLECTION	1	1	1	1	
19	Z742905000	PANEL POSTERIOR FI-80	REAR PANEL FI-80	1	1	1	1	
	3713500000	PERFIL CUBREARISTAS PLASTICO	PLASTIC EDGE COVER PROFILE	3	3	3	3	
	Q152004000	TORNIL, APLASTADO M5x13 A304	FLAT HEADED BOLT M5x13 A304	2	2	2	2	
	Z712911000	TOPE 80x80x20	BUFFER 80x80x20	6	6	6	6	

Зип Общепит

vsezip.ru

+7(812)987-08-81



ITEM MARCADO EN COLOR = REPUESTO RECOMENDADO
COLOURED ITEM = RECOMMENDED SPARE PART

N plano	Firma	Fecha	Aparato	CAPO	Lamina	Fagor Industrial S.Coop. FAGOR
C-2486	<i>[Signature]</i>	2009-12	LAVAVAJILLAS AD-120 / ADE-120		2	Oñate

MOD.		LAVAVAJILLAS DE CAPOTA	ZONA	CAPO				
ITEM	CODIGO	DENOMINACION	TEXTO	AD-120	AD-120B	ADE-120	ADE-120B	
1	Z740505000	CAPO RECTO COMPLETO	COMPLETE STRAIGHT HOOD	1	1	1	1	
	Z710515000	CASQUILLO RODANTE	REVOLVING BUSHING	4	4	4	4	
	Q271006000	ARANDELA DE SEGURIDAD 8	SAFETY WASHER 8	8	8	8	8	
2	Z200506000	IMAN	MAGNET	1	1	1	1	
S/Nº	Z200507000	PROTECTOR IMAN	MAGNET PROTECTOR	1	1	1	1	
3	Z710558000	ASA CAPOTA AD	AD HOOD HANDLE	1	1	1	1	
	Q032041000	TORNILLO ALOMADO M6x10	CURVED SCREW M6x10	2	2	2	2	
	Q308002000	ARANDELA DUBO A6 NYLON	WASHER DUBO A6 NYLON	2	2	2	2	
4	Z710542000	EJE DE GIRO	ROTARY SHAFT	2	2	2	2	
5	Z710541000	RODAMIENTO 6200-2RS1	BEARING 6200-2RS1	2	2	2	2	
6	Q308012000	ARANDELA 30x10x3	WASHER 30x10x3	2	2	2	2	
7	Z710517000	BALANCIN COMPLETO	COMPLETE ROCKER ARM	1	1	1	1	
	Q232050000	ARANDELA A8	WASHER A8	2	2	2	2	
	Q262050000	ARANDELA GROW. A8 A.304	WASHER GROW. A8 A.304	2	2	2	2	
	Q162050000	TUERCA EXAGONAL M8x1 INOX.	HEXAGONAL NUT M8x1 INOX.	2	2	2	2	
8	Z710523000	BIELA	ROD	2	2	2	2	
	Q308012000	ARANDELA 30x10x3	WASHER 30x10x3	8	8	8	8	
	Q232040000	ARANDELA A6	WASHER A6	4	4	4	4	
	Q262040000	ARANDELA GROW. A6 A.304	WASHER GROW. A6 A.304	4	4	4	4	
	Q012041000	TORNILLO EXAGON. M6x10 A.304	HEXAGONAL BOLT. M6x10 A.304	4	4	4	4	
9	Z718932000	CUBIERTA RESORTES CLINIC	SPRING COVER	1	1	1	1	
10	Z710547000	JUNTA SOPORTE CAPO	HOOD SUPPORT SEAL	4	4	4	4	
	Q012053000	TORNILLO EXAGON. M8x20 A.304	HEXAGONAL BOLT. M8x20 A.304	10	10	10	10	
	Q013153000	TORNILLO EX M-8x20 LATON GRO.	HEX BOLT M-8x20 CHR. BRASS	4	4	4	4	
	Q232050000	ARANDELA A8	WASHER A8	14	14	14	14	
	Q262050000	ARANDELA GROW. A8 A.304	WASHER GROW. A8 A.304	14	14	14	14	
	Q162050000	TUERCA EXAG. M8x1 INOX.	HEXAG. SCREW M8x1 STAINLES	10	10	10	10	
11	Z710539000	SOPORTE GUIA CAPO	HOOD GUIDE SUPPORT	2	2	2	2	
12	Z710515000	CASQUILLO RODANTE	REVOLVING BUSHING	2	2	2	2	
	Q271006000	ARANDELA DE SEGURIDAD 8	SAFETY WASHER 8	4	4	4	4	

Зип Общепит

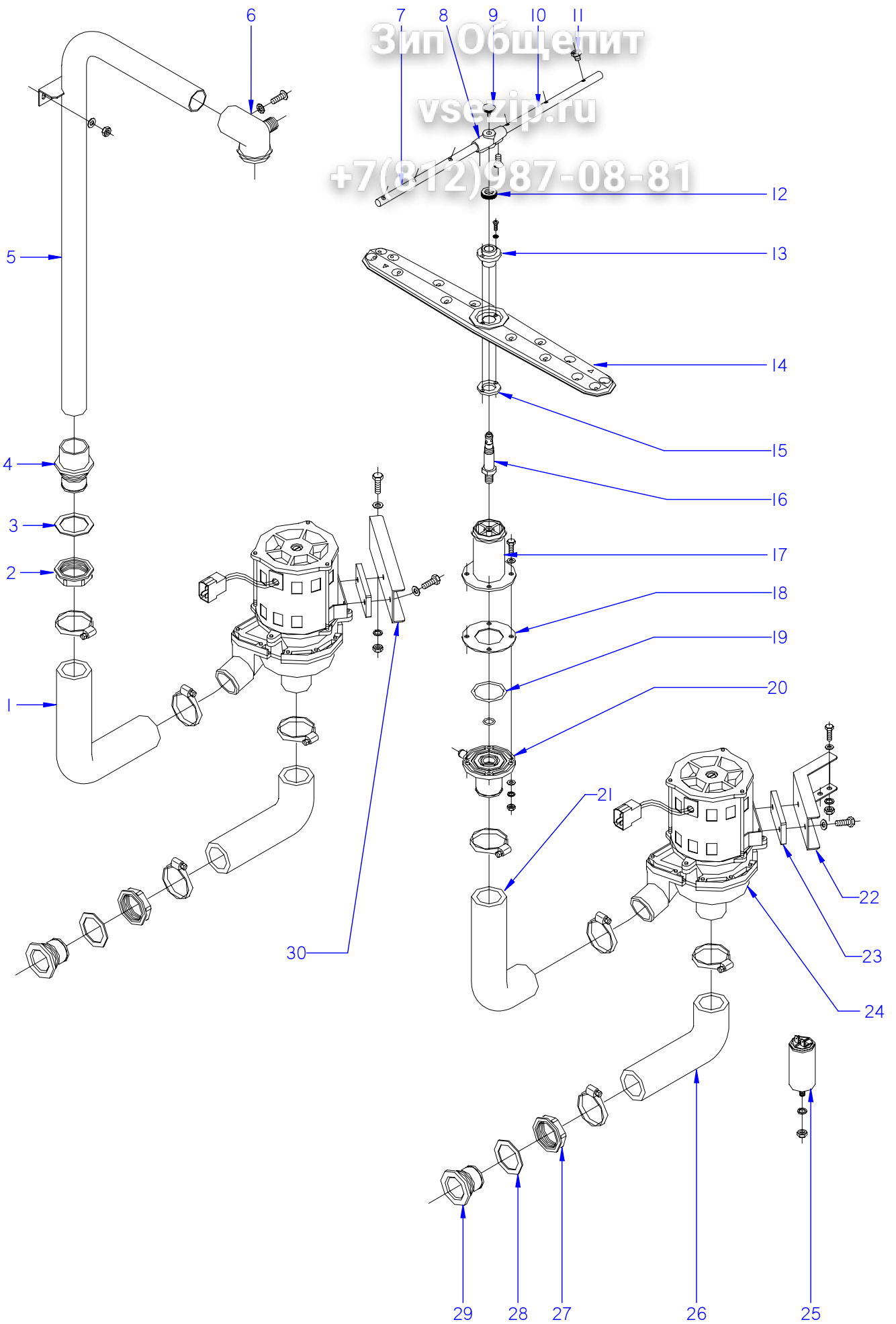
vsezip.ru

+7(812)987-08-81

MOD.		LAVAVAJILLAS DE CAPOTA		ZONA	CAPO			
ITEM	CODIGO	DENOMINACION	TEXTO	AD-120	AD-120B	ADE-120	ADE-120B	
13	Z710524000	GUIA CAPO COMPLETA	COMPLETE HOOD GUIDE	1	1	1	1	
	Q352024000	PASADOR DE ALETA 4x25	WING PIN 4x25	2	2	2	2	
14	Z710546000	CASQUILLO	BUSHING	2	2	2	2	
15	Q222016000	TUERCA EXAGONAL M20	HEXAGONAL BOLT M20	2	2	2	2	
16	Z710529000	TENSOR MUELLE	TENSIONING SPRING	2	2	2	2	
	Q152004000	TORNILLO APLAST. M5x13 A 304	MUSHROOM HEAD BOLT M5x13	2	2	2	2	
17	Z710548000	ESCUADRA TOPE	BUFFER BRACKET	2	2	2	2	
	Q012041000	TORNILLO EXAGON. M6X10 A.304	HEXAGONAL BOLT. M6X10 A.304	4	4	4	4	
	Q242040000	ARANDELA ABANICO	FAN WASHER	4	4	4	4	
18	Z710528000	RESORTE 29230	SPRING 29230	2	2	2	2	
19	Z710543000	ENGANCHE MUELLE	SPRING HOOK	2	2	2	2	
	Z710544000	EJE ENGANCHE MUELLE	SPRING HOOK SHAFT	2	2	2	2	
	Q232040000	ARANDELA A6	WASHER A6	2	2	2	2	
	Q222012000	TUERCA AUTOB. M6	SELF-LOCK NUT M6	2	2	2	2	

Зип Общепит
vsezip.ru

+7(812)987-08-81



ITEM MARCADO EN COLOR = REPUESTO RECOMENDADO
COLOURED ITEM = RECOMMENDED SPARE PART

N plano	Firma	Fecha	Aparato	CONJUNTO FUNCIONAL LAVADO	Lamina	Fagor Industrial S.Coop. FAGOR
C-2487	<i>[Signature]</i>	2009-12	LAVAVAJILLAS AD-120 / ADE-120	3	Oñate	

MOD.		LAVAVAJILLAS DE CAPOTA		ZONA	CONJUNTO FUNCIONAL DE LAVADO			
ITEM	CODIGO	DENOMINACION	TEXTO	AD-120	AD-120B	ADE-120	ADE-120B	
1	Z710906000	CONDUCTO IMPULSION POSTER.	REAR IMPULSE PIPE	1	1	1	1	
	Q881307000	ABRAZADERA 40-60	CLAMP 40-60	2	2	2	2	
2	Z710708000	TUERCA PASAMUROS	WALL BUSHING NUT	1	1	1	1	
3	Q307058000	ARANDELA 60x44x2	WASHER 60x44x2	1	1	1	1	
4	Z330790000	PASAMUROS IMPULSION PRELAV.	PREWASH IMPULSE BUSHING	1	1	1	1	
5	Z710709000	ARBOL LAVADO COMPLETO	COMPLETE WASH CAM	1	1	1	1	
	Q232040000	ARANDELA A6	WASHER A6	2	2	2	2	
	Q162040000	TUERCA EXAGONAL M6	HEXAGONAL NUT M6	2	2	2	2	
6	Z710705000	SOPORTE DISTRIBUIDOR SUPER.	UPPER DISTRIBUTION SUPPORT	1	1	1	1	
	Q152004000	TORNILLO APLAST. M5x13 A.304	MUSHROOM HEAD BOLT M5x13 A	1	1	1	1	
	Q242030000	ARANDELA ABANICO A5 A.304	FAN WASHER A5 A.304	1	1	1	1	
7	Z201902000	RAMA ACLARADO IZQUIERDA	LEFT RINSE BRANCH	2	2	2	2	
8	Z201903000	SOPORTE RAMA ACLARADO COM.	COM. RINSE BRANCH SUPPORT	2	2	2	2	
	Q042021000	TORNILLO AVELLAN. M4x10 A304	COUNTERSUNK BOLT M4x10 A30	4	4	4	4	
9	Q152016000	TORNILLO ESPECIAL M.5x0.8	SPECIAL BOLT M.5X0.8	2	2	2	2	
10	Z201901000	RAMA ACLARADO DERECHA	RIGHT RINSE BRANCH	2	2	2	2	
11	Z211903000	TOBERA ACLARADO	RINSE NOZZLE	12	12	12	12	
12	Z680738000	TUERCA ESPECIAL	SPECIAL NUT	2	2	2	2	
13	Z710712000	CASQUILLO DISTRIBUIDOR	DISTRIBUTOR BUSHING	2	2	2	2	
	Q032011000	TORNILLO ALOMADO M3x10	CURVED SCREW M3X10	4	4	4	4	
	Q242010000	ARANDELA ABANICO A3 A.304	FAN WASHER A3 A.304	4	4	4	4	
14	Z710701000	DISTRIBUIDOR COMPLETO	COMPLETE DISTRIBUTOR	2	2	2	2	
15	Z710713000	ARANDELA AMARRE	ANCHORAGE WASHER	2	2	2	2	
16	Z710711000	EJE CENTRAL	CENTRAL SHAFT	2	2	2	2	
17	Z710704000	SOPORTE DISTRIBUIDOR INFER.	LOWER DISTRIBUTION SUPPORT	1	1	1	1	
18	Z710714000	JUNTA DE GOMA	RUBBER SEAL	1	1	1	1	
19	Q307057000	JUNTA TORICA 47.22x54.28x3.53	O-RING 47.22x54.28x3.53	1	1	1	1	
	Q307050000	JUNTA TORICA 13.94x19.18x2.6	O-RING 13.94x19.18x2.6	1	1	1	1	

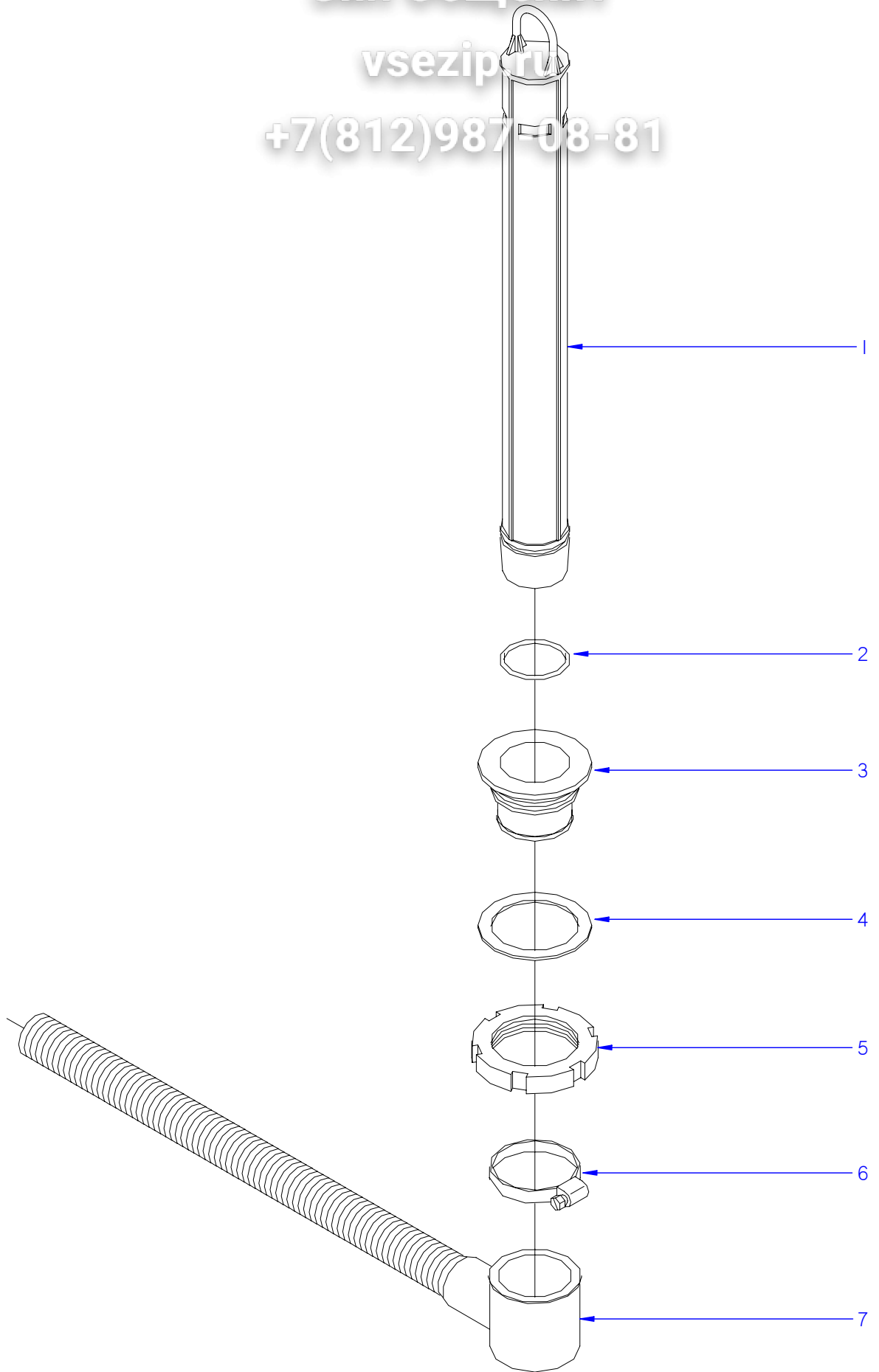
MOD.	LAVAVAJILLAS DE CAPOTA	ZONA	CONJUNTO FUNCIONAL DE LAVADO
------	------------------------	------	------------------------------

ITEM	CODIGO	DENOMINACION	TEXTO	AD-120	AD-120B	ADE-120	ADE-120B
20	Z710706000	PASAMUROS	BUSHING	1	1	1	1
	Q012044000	TORNILLO EXAGONAL M6x25	HEXAGONAL BOLT M6x25	4	4	4	4
	Q306050000	ARANDELA 6x12x1.5	WASHER 6x12x1.5	4	4	4	4
	Q232040000	ARANDELA A6	WASHER A6	4	4	4	4
	Q262040000	ARANDELA GROW. A6 A.304	WASHER GROW. A6 A.304	4	4	4	4
	Q162040000	TUERCA EXAGONAL M6	HEXAGONAL NUT M6	4	4	4	4
21	Z710905000	CONDUCTO IMPULSION ANTER.	FRONT IMPULSE PIPE	1	1	1	1
	Q881307000	ABRAZADERA 40-60	CLAMP 40-60	2	2	2	2
22	Z711001000	SOPOR. MOTOBOMBA ANTERIOR	SUPPORT FRONT MOTOR-PUMP	1	1	1	1
	Q012042000	TORNILLO EXAGONAL M6x15	HEXAGONAL BOLT M6x15	2	2	2	2
	Q232040000	ARANDELA A6	WASHER A6	2	2	2	2
	Q262040000	ARANDELA GROW. A6 A.304	WASHER GROW. A6 A.304	2	2	2	2
	Q162040000	TUERCA EXAGONAL M6	HEXAGONAL NUT M6	2	2	2	2
23	Z201003000	BASE BOMBA LAVADO 1003016	WASH PUMP BASE 1003016	2	2	2	2
	Q232040000	ARANDELA A6	WASHER A6	4	4	4	4
	Q012042000	TORNILLO EXAGONAL M6x15	HEXAGONAL BOLT M6x15	4	4	4	4
24	Z201011000	BOMBA DE LAVADO	WASH PUMP	2	2	2	2
24	Z203511000	BOMBA DE LAVADO 60 HZ.	WASH PUMP 60 Hz.	2	2	2	2
25	V321300000	CONDENSADOR 10 M,F,	CONDENSER 10 M,F,	2	2	2	2
	Q162050000	TUERCA EXAGONAL M8x1 INOX,	HEXAGONAL NUT M8x1 INOX.	2	2	2	2
26	Z710904000	CONDUCTO ASPIRACION	EXTRACTOR PIPE	2	2	2	2
	Q881307000	ABRAZADERA 40-60	CLAMP 40-60	4	4	4	4
27	Z710708000	TUERCA PASAMUROS	WALL BUSHING NUT	2	2	2	2
28	Q307058000	ARANDELA 60x44x2	WASHER 60x44x2	2	2	2	2
29	Z710903000	PASAMUROS ASPIRACION	EXTRACTOR BUSHING	2	2	2	2
30	Z711002000	SOPORTE MOTOBOMBA POSTER.	REAR MOTOR PUMP SUPPORT	1	1	1	1
	Q012042000	TORNILLO EXAGONAL M6x15	HEXAGONAL BOLT M6x15	2	2	2	2
	Q232040000	ARANDELA A6	WASHER A6	2	2	2	2
	Q262040000	ARANDELA GROW. A6 A.304	WASHER GROW. A6 A.304	2	2	2	2
	Q162040000	TUERCA EXAGONAL M6	HEXAGONAL NUT M6	2	2	2	2

Зип Общежит

vsezip.ru

+7(812)987-08-81



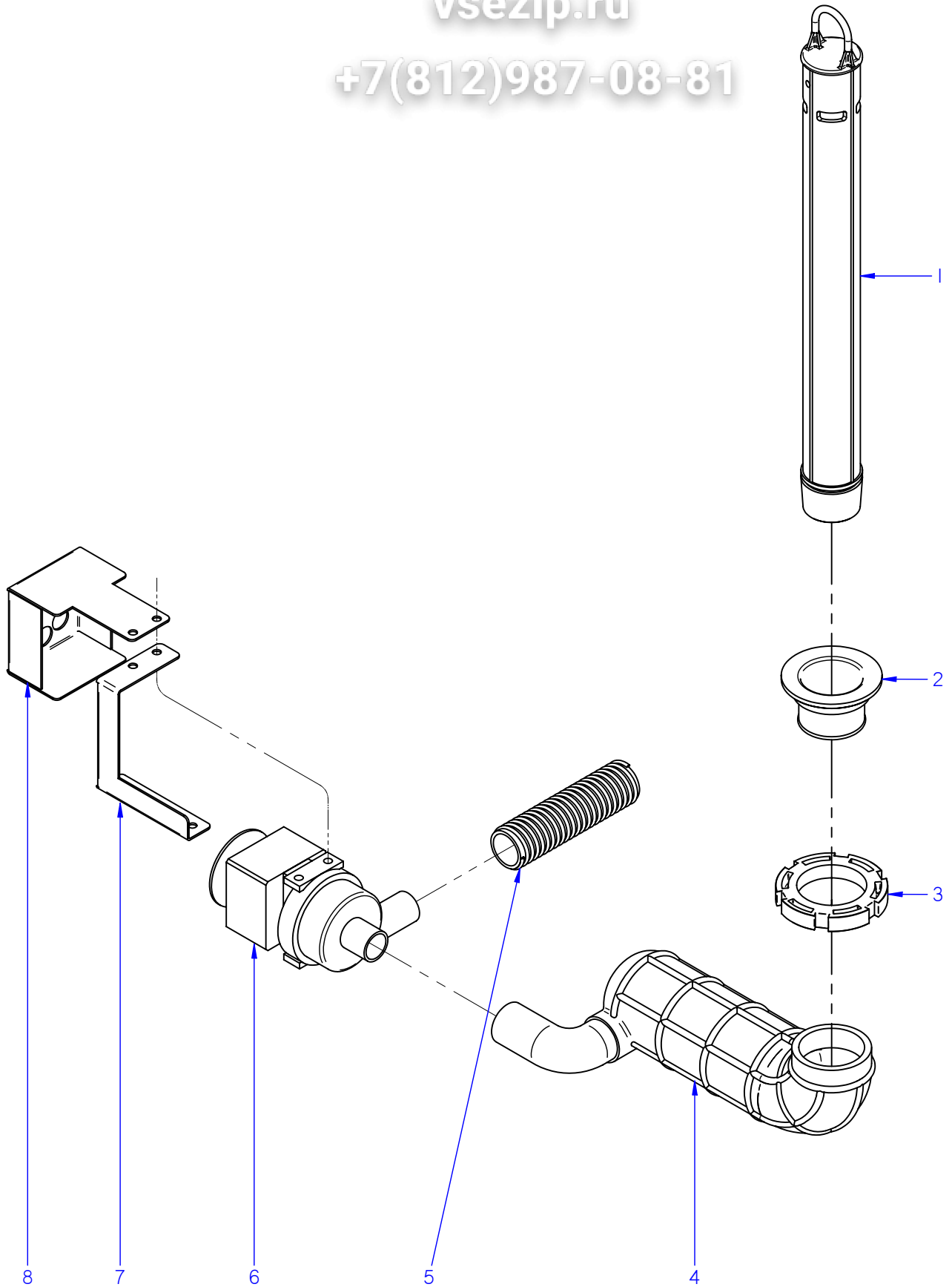
ITEM MARCADO EN COLOR = REPUESTO RECOMENDADO
COLOURED ITEM = RECOMMENDED SPARE PART

N plano	Firma	Fecha	Aparato	PARTE FUNCIONAL DESAGUE	Lamina	Fagor Industrial S.Coop. FAGOR
C-2488	<i>(Signature)</i>	2009-12	LAVAVAJILLAS AD-120; ADE-120	4	Oñate	


Зип Общепит

vsezip.ru

+7(812)987-08-81



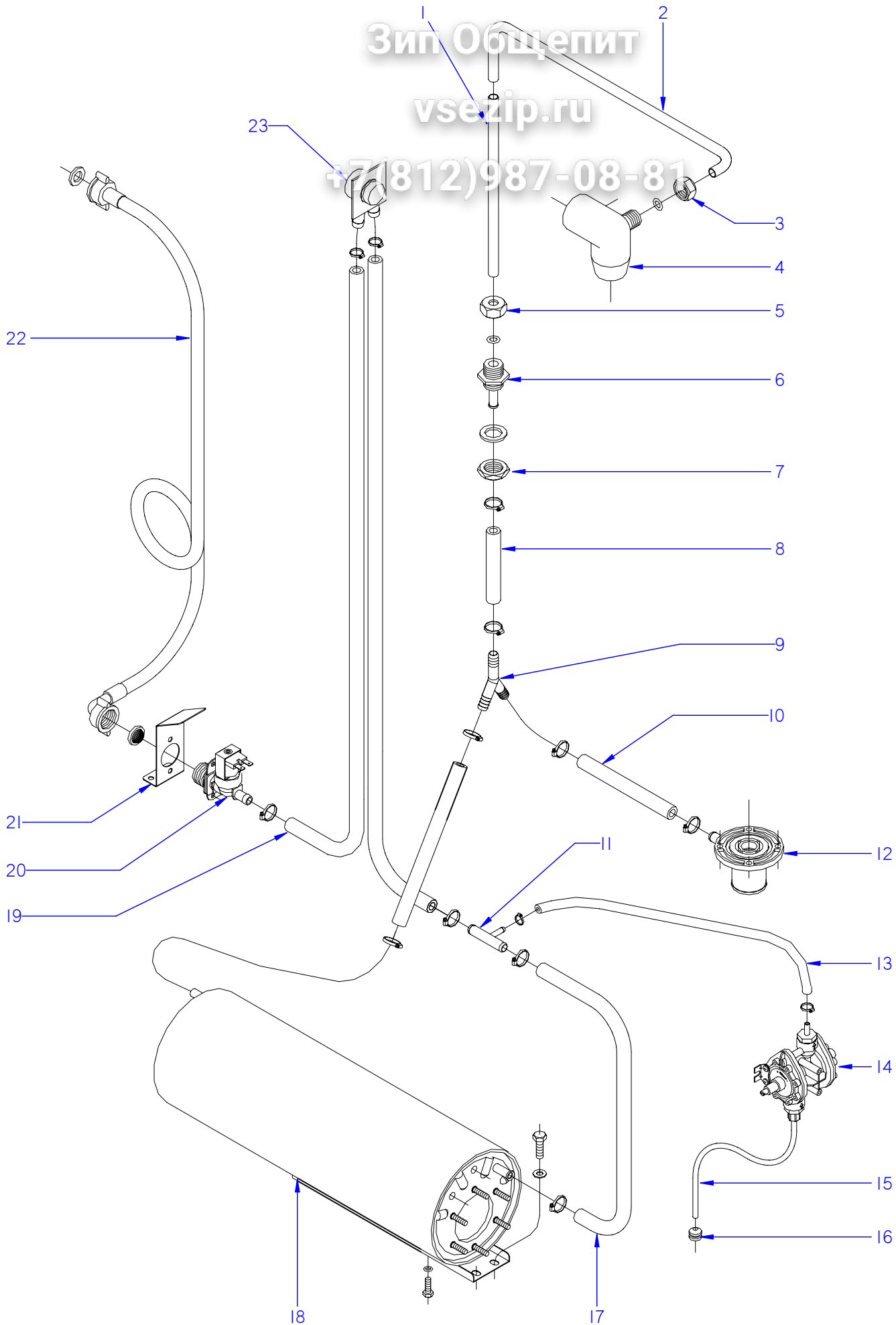
ITEM MARCADO EN COLOR = REPUESTO RECOMENDADO
COLOURED ITEM = RECOMMENDED SPARE PART

N plano	Firma	Fecha	Aparato	PARTE FUNCIONAL DESAGUE	Lamina	Fagor Industrial S.Coop. FAGOR
C-2489	<i>[Signature]</i>	2009-12	LAVAVAJILLAS AD-120B; ADE-120B	5	Oñate	

Зип Общепит

vsezip.ru

+7(812)987-08-81



ITEM MARCADO EN COLOR = REPUESTO RECOMENDADO
COLOURED ITEM = RECOMMENDED SPARE PART

N plano	Firma	Fecha	Aparato	CONJUNTO FUNCIONAL ACLARADO	Lamina	Fagor Industrial S.Coop. FAGOR
C-2490	<i>[Signature]</i>	2009-12	LAVAVAJILLAS AD-120; AD-120B	6	Oñate	

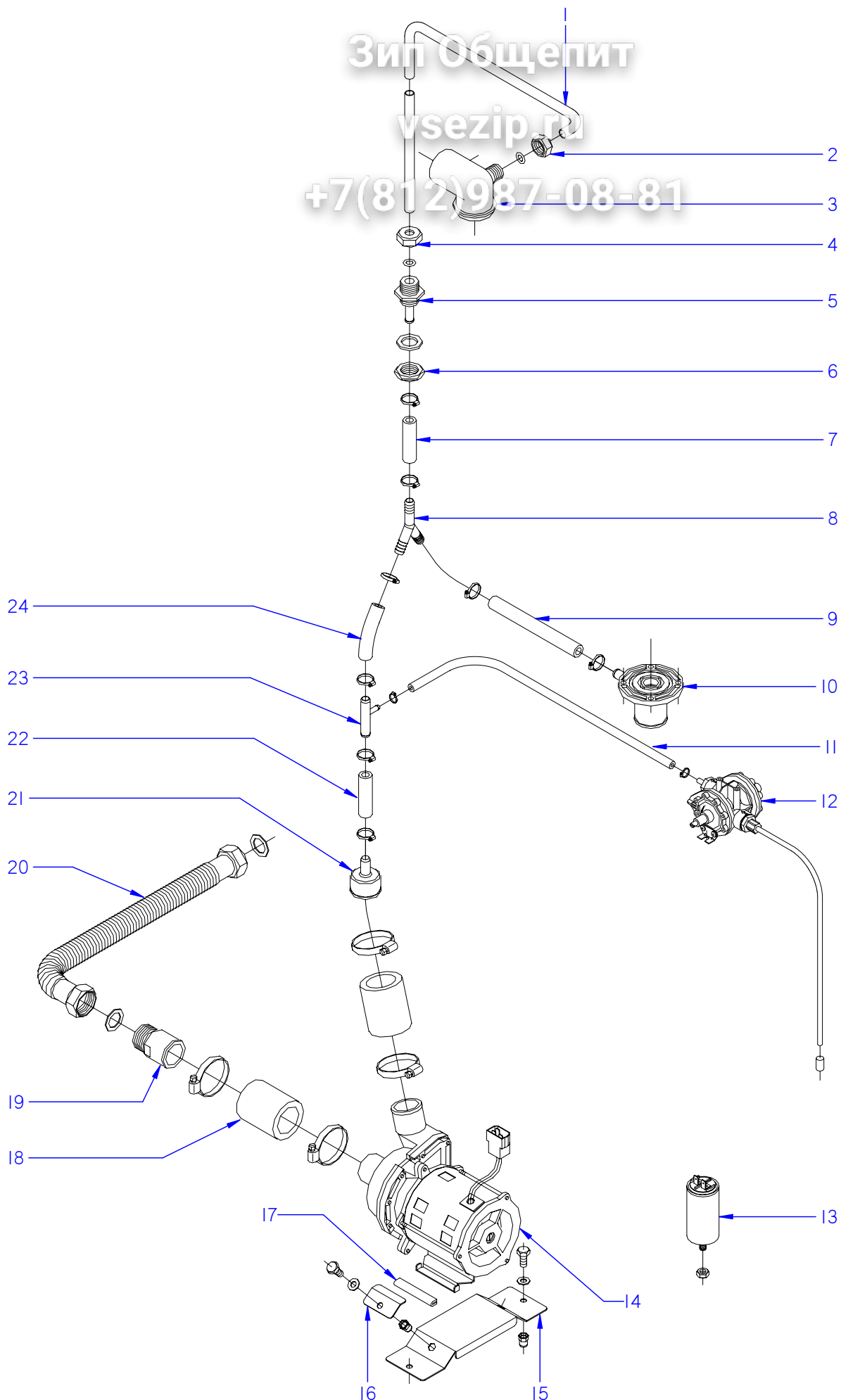
MOD.	LAVAVAJILLAS DE CAPOTA	ZONA	CONJUNTO FUNCIONAL ACLARADO
------	------------------------	------	-----------------------------

ITEM	CODIGO	DENOMINACION	TEXTO	AD-120	AD-120B			
1	Z711114000	TUBO EMPALME	CONNECTION PIPE	2	2			
2	Z711903000	CONDUCCION ACLARADO COMP.	COMP. RINSE PIPE	1	1			
3	Q223107000	TUERCA M.20x2.5	NUT M.20X2.5	1	1			
	Q307048000	JUNTA TORICA Ø9.12X16.18X3.53	O-RING Ø9.12X16.18X3.53	1	1			
4	Z710705000	SOPORTE DISTRIBUIDOR SUPER.	UPPER DISTRIBUTION SUPPORT	1	1			
	Q152004000	TORNILLO APLAST. M5x13 A.304	MUSHROOM HEAD BOLT M5x13	1	1			
	Q242030000	ARANDELA ABANICO A5 A.304	FAN WASHER A5 A.304	1	1			
5	Q223107000	TUERCA M.20x2.5	NUT M.20X2.5	1	1			
	Q307048000	JUNTA TORICA Ø9.12X16.18X3.53	O-RING Ø9.12X16.18X3.53	1	1			
6	Z711904000	PASAMUROS ACLARADO	RINSE BUSHING	1	1			
	Q307032000	JUNTA Ø 32X21X3	SEAL Ø 32X21X3	1	1			
7	Q223023000	TUERCA EXAGONAL 5-8 LATON	HEX NUT 5-8 BRASS	1	1			
8	3676900000	TUBO GOMA NEGRA Ø 17*10	BLACK RUBBER PIPE 17*10	1	1			
	Q881302000	ABRAZADERA 12-20	CLAMP 12-20	2	2			
9	Z201106000	RACORD EN Y	Y-CONNECTION	1	1			
10	3676900000	TUBO GOMA NEGRA Ø 17*10	BLACK RUBBER PIPE 17*10	2	2			
	Q881302000	ABRAZADERA 12-20	CLAMP 12-20	4	4			
11	Z601157000	TOMA PRESION	PRESSURE INTAKE	1	1			
12	Z710706000	PASAMUROS	BUSHING	1	1			
	Q012044000	TORNILLO EXAGONAL M6x25	HEXAGONAL BOLT M6x25	4	4			
	Q306050000	ARANDELA 6x12x1.5	WASHER 6x12x1.5	4	4			
	Q232040000	ARANDELA A6	WASHER A6	4	4			
	Q262040000	ARANDELA GROW. A6 A.304	WASHER GROW. A6 A.304	4	4			
	Q162040000	TUERCA EXAGONAL M6	HEXAGONAL NUT M6	4	4			
13	3704000000	TUBO GOMA NEGRO D 10,5*5	BLACK RUBBER PIPE Ø 10.5*5	1	1			
	Q881308000	ABRAZADERA 8-14L	CLAMP 8-14L	2	2			
14	Z211109000	DOSIFICADOR TENSOACTIVO N-6	SURFACE ACT. DISP. N-6	1	1			
	Q232030000	ARANDELA A5	WASHER A5	2	2			
	Q012031000	TORNIL. EXAGONAL M5x10 A.304	HEXAGONAL BOLT M5X10 A.304	4	4			
	Q163020000	TUERCA EXAGONAL M4 LATON	HEXAGONAL NUT M4 BRASS	2	2			
15	Z448618000	CONDUCTO ABRILLANTADOR	RINSE AID PIPE	1	1			

Зип Общежит

vsezip.ru

+7(812)987-08-81



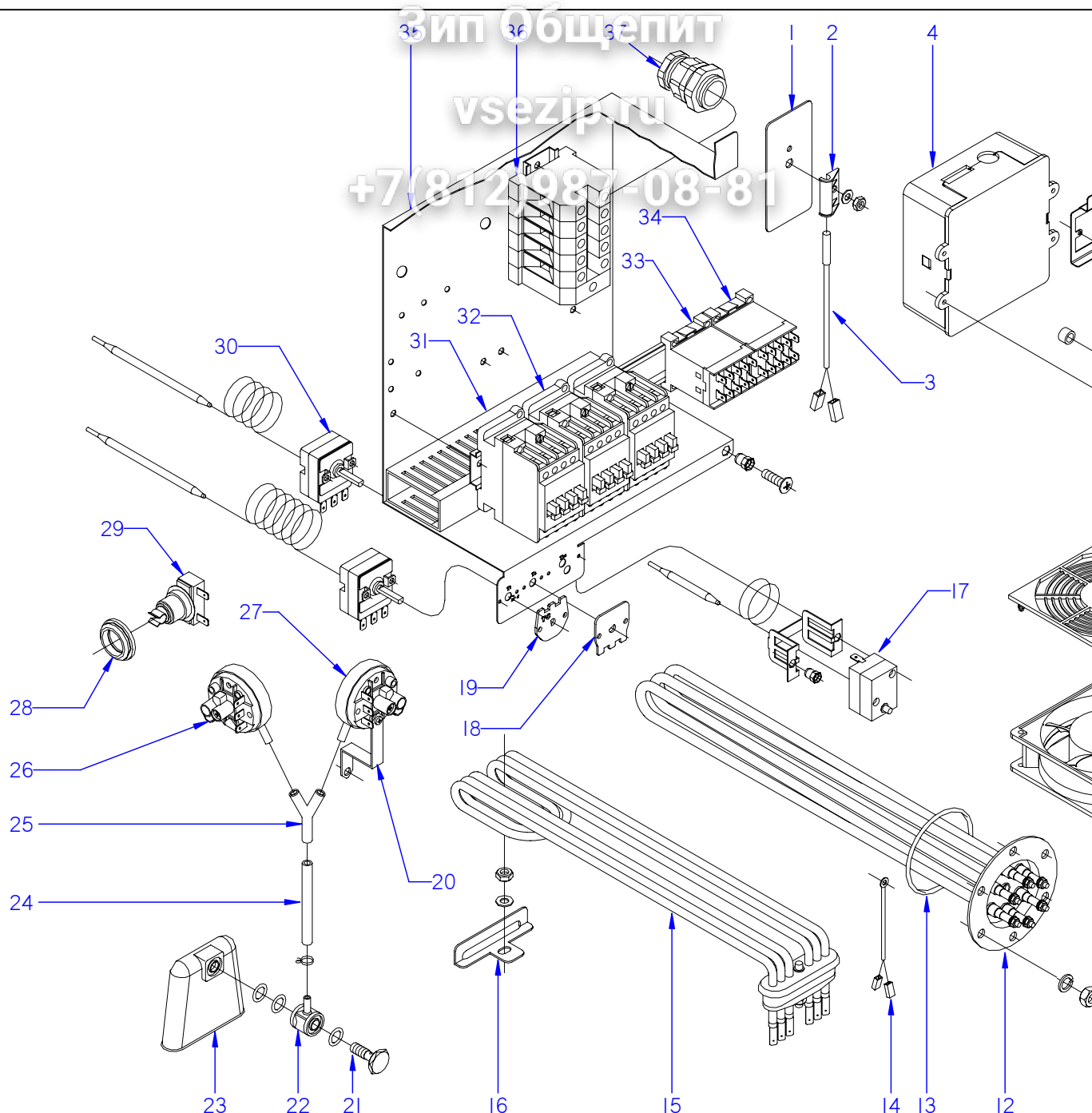
ITEM MARCADO EN COLOR = REPUESTO RECOMENDADO
COLOURED ITEM = RECOMMENDED SPARE PART

N plano	Firma	Fecha	Aparato	PARTE FUNCIONAL ACLARADO	Lamina	Fagor Industrial S.Coop. FAGOR
C-2491	<i>[Signature]</i>	2009-12	LAVAVAJILLAS ADE-120 / ADE-120B		7	Oñate

MOD.	LAVAVAJILLAS DE CAPOTA	ZONA	CONJUNTO FUNCIONAL DE ACLARAD
------	------------------------	------	-------------------------------

ITEM	CODIGO	DENOMINACION	TEXTO	ADE-120	ADE-120B			
1	Z711903000	CONDUCCION ACLARADO COMP.	COMP. RINSE PIPE	1	1			
2	Q223107000	TUERCA M.20x2.5	NUT M.20X2.5	1	1			
	Q307048000	JUNTA TORICA Ø9.12X16.18X3.53	O-RING Ø9.12X16.18X3.53	1	1			
3	Z710705000	SOPORTE DISTRIBUIDOR SUPER.	UPPER DISTRIBUTION SUPPORT	1	1			
	Q152004000	TORNILLO APLAST. M5x13 A.304	MUSHROOM HEAD BOLT M5x13	1	1			
	Q242030000	ARANDELA ABANICO A5 A.304	FAN WASHER A5 A.304	1	1			
4	Q223107000	TUERCA M.20x2.5	NUT M.20X2.5	1	1			
	Q307048000	JUNTA TORICA Ø9.12X16.18X3.53	O-RING Ø9.12X16.18X3.53	1	1			
5	Z711904000	PASAMUROS ACLARADO	RINSE BUSHING	1	1			
	Q307032000	JUNTA Ø 32X21X3	SEAL Ø 32X21X3	1	1			
6	Q223023000	TUERCA EXAGONAL 5-8 LATON	HEX NUT 5-8 BRASS	1	1			
7	3676900000	TUBO GOMA NEGRA Ø 17*10	BLACK RUBBER PIPE 17*10	1	1			
	Q881302000	ABRAZADERA 12-20	CLAMP 12-20	2	2			
8	Z201106000	RACORD EN Y	Y-CONNECTION	1	1			
9	3676900000	TUBO GOMA NEGRA Ø 17*10	BLACK RUBBER PIPE 17*10	1	1			
	Q881302000	ABRAZADERA 12-20	CLAMP 12-20	2	2			
10	Z710706000	PASAMUROS	BUSHING	1	1			
	Q012044000	TORNILLO EXAGONAL M6x25	HEXAGONAL BOLT M6x25	4	4			
	Q306050000	ARANDELA 6x12x1.5	WASHER 6x12x1.5	4	4			
	Q232040000	ARANDELA A6	WASHER A6	4	4			
	Q262040000	ARANDELA GROW. A6 A.304	WASHER GROW. A6 A.304	4	4			
	Q162040000	TUERCA EXAGONAL M6	HEXAGONAL NUT M6	4	4			
11	3704000000	TUBO GOMA NEGRO Ø 10,5*5	BLACK RUBBER PIPE Ø 10,5*5	1	1			
	Q881308000	ABRAZADERA 8-14L	CLAMP 8-14L	2	2			
12	Z211109000	DOSIFICADOR TENSOACTIVO N-6	SURFACE ACT. DISP. N-6	1	1			
	Q232030000	ARANDELA A5	WASHER A5	2	2			
	Q012031000	TORNIL. EXAGONAL M5x10 A.304	HEXAGONAL BOLT M5X10 A.304	4	4			
	Q163020000	TUERCA EXAGONAL M4 LATON	HEXAGONAL NUT M4 BRASS	2	2			
S/Nº	Z448618000	CONDUCTO ABRILLANTADOR	RINSE AID PIPE	1	1			
S/Nº	Z701152000	PESO FILTRO	FILTER WEIGHT	1	1			

Зип Overall
vsezip.ru
+7(812)987-08-81



ITEM MARCADO EN COLOR = REPUESTO RECOMENDADO
COLOURED ITEM = RECOMMENDED SPARE PART

N plano	Firma	Fecha	Aparato	Lamina	Orden
C-2492	<i>(Signature)</i>	2009-12	LAVAVAJILLAS AD-120 / ADE-120	8	Fagor Industrial S. Coop. FAGOR

CONJUNTO FUNCIONAL ELECTRICO

MOD.	LAVAVAJILLAS DE CAPOTA	ZONA	CONJUNTO FUNCIONAL ELECTRICA
------	------------------------	------	------------------------------

ITEM	CODIGO	DENOMINACION	TEXTO	AD-120	AD-120B	ADE-120	ADE-120B
1	Z101211000	APOYO INTERRUPTOR	SWITCH SUPPORT	1	1	1	1
2	Z203010000	AMARRE INTERRUPTOR MAGNET.	MAGNETIC SWITCH FASTENER	1	1	1	1
	Q232040000	ARANDELA A-6	WASHER A-6	1	1	1	1
	Q162040000	TUERCA EXAGONAL M-6	HEXAGONAL NUT M-6	1	1	1	1
3	Z203009000	INTERRUPTOR MAGNETICO	MAGNETIC SWITCH	1	1	1	1
4	Z213069000	TARJETA 5 RELES	5 RELAY CARD	1	1	1	1
	Q232020000	ARANDELA A4	WASHER A4	4	4	4	4
	Q242020000	ARANDELA ABANICO A5 A.304	FAN WASHER A5 A.304	4	4	4	4
	Q042022000	TORN. AVELLANADO M4X15	HEXAGONAL COUNTERSUNK M4	4	4	4	4
	Z515045000	CASQUILLO SEPARADOR B	SEPARATOR BUSHING B	4	4	4	4
5	Z713023000	SOPORTE DISPLAY CAPOTA	HOOD DISPLAY SUPPORT	1	1	1	1
	R663036000	FIJACION CIRCUITO	CIRCUIT ATTACHMENT	3	3	3	3
6	Z713017000	DISPLAY GICAR TEMPERATURAS	GICAR TEMPERATURE DISPLAY	1	1	1	1
7	Z713027000	SOPORTE PROGRAMADOR RELE	RELAY PROGRAMMER SUPPORT	1	1	1	1
8	Z712935000	EMBELLEC. ADHESIVO AD-120	ADHESIVE TRIM AD-120.	1	-	-	-
8	Z712936000	EMBELLEC. ADHESIVO AD-120B	ADHESIVE TRIM AD-120B.	-	1	-	-
8	Z732905000	EMBELLEC. ADHESIVO ADE-120	ADHESIVE TRIM ADE-120.	-	-	1	-
8	Z732906000	EMBELLEC. ADHESIVO ADE-120B	ADHESIVE TRIM ADE-120B.	-	-	-	1
9	Z713015000	PROTECCION VENTILADOR ABS	FAN PROTECTION ABS	1	1	1	1
	Q042022000	TORNILLO AVELLANADO M4x15	COUNTERSUNK BOLT M4x15	8	8	8	8
	Q162020000	TUERCA EXAGONAL M4	HEXAGONAL NUT M4	12	12	12	12
	Q242020000	ARANDELA ABANICO A-4 A304	FAN WASHER A-4 A304	8	8	8	8
10	Z103066000	VENTILADOR 230V,50/60 HZ	FAN 230V,50/60 HZ	1	1	-	-
11	Z651731000	CAPERUZA RESISTEN. CALDERIN	DRUM RESIST. CAP	1	1	-	-
	Q163140000	TUERCA EXAGONAL M6 LATON	HEXAGONAL NUT M6 BRASS	2	2	-	-
	Q012031000	TORNIL. EXAGONAL M5x10 A.304	HEXAGONAL BOLT M5X10 A.304	2	2	-	-
	Q232030000	ARANDELA A-5	WASHER A-5	2	2	-	-
12	Z728306000	RESISTENCIA CALDERIN 12 KW	DRUM RESISTOR 12 KW	1	1	-	-
	Q221305000	TUERCA EX, AUTO. M4 ZINCADA	HEX NUT , AUTO. M4 ZINC-COAT	6	6	-	-
	Q163140000	TUERCA EXAGONAL M6 LATON	HEXAGONAL NUT M6 BRASS	6	6	-	-
	Q262040000	ARANDELA GROW. A6 A.304	WASHER GROW. A6 A.304	6	6	-	-

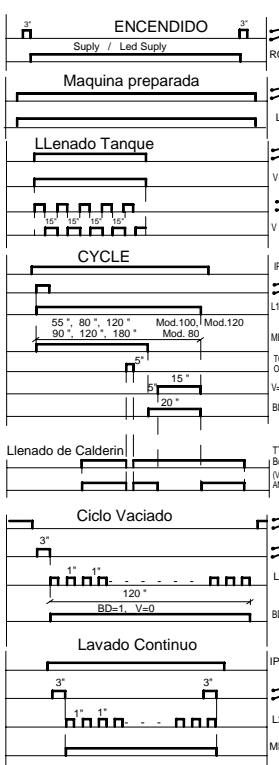
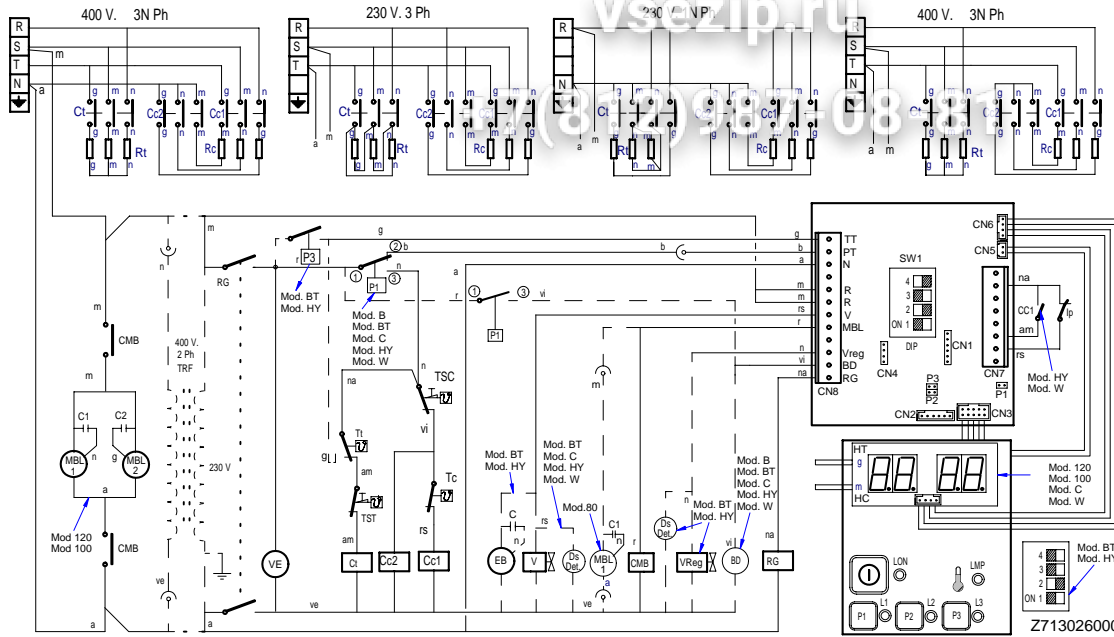
MOD.	LAVAVAJILLAS DE CAPOTA	ZONA	CONJUNTO FUNCIONAL ELECTRICA
------	------------------------	------	------------------------------

ITEM	CODIGO	DENOMINACION	TEXTO	AD-120	AD-120B	ADE-120	ADE-120B
13	Q307035000	JUNTA TORICA AN-36 282333	O-RING AN-36 282333	1	1	-	-
14	Z713028000	SONDAS TEMPERATURA GICAR	GICAR TEMPERATURE GAUGE	1	1	-	-
15	Z743601000	RESISTENCIA TANQUE	TANK RESISTOR	1	1	1	1
16	Z743602000	SOPORTE RESISTENCIA TANQUE	TANK RESISTOR SUPPORT	1	1	1	1
	Q232040000	ARANDELA A,6	WASHER A,6	1	1	1	1
	Q162040000	TUERCA EXAGONAL M6	HEXAGONAL NUT M6	1	1	1	1
17	Z213014000	LIMITADOR TECASA P.	LIMITER TECASA P.	1	1	-	-
S/Nº	Z203060000	AMARRE LIMITADOR TECASA	LIMITER FASTENING TECASA	1	1	-	-
	Q221341000	REMACHE EXAGONAL M4	HEXAGONAL RIVET M4	2	2	-	-
	Q152024000	TORNILLO AVELLANADO M4x8	COUNTERSUNK BOLT M4x8	2	2	-	-
18	Z713038000	REGU. TERMOS. TANQUE 60 °C	TANK THERMOSTAT CONTROL 60 °C	1	1	1	1
19	Z718446000	CHAPA W 85°C	PLATE W 85°C	1	1	1	1
20	Z602923000	SOPORTE PRESOSTATO	PRESSURE SWITCH SUPPORT	1	1	1	1
	Q082032000	TORNILLO ALOMADO BZ-3,5x9,5	CURVED SCREW BZ-3.5x9.5	1	1	1	1
	Q162040000	TUERCA EXAGONAL M6	HEXAGONAL NUT M6	1	1	1	1
	Q232040000	ARANDELA A6	WASHER A6	1	1	1	1
21	Z203013000	TORNILLO PRESOSTATO	PRESSURE SWITCH BOLT	1	1	1	1
22	Z203012000	EMPALME PRESOSTATO	PRESSURE SWITCH CONNEX	1	1	1	1
	Q307003000	JUNTA TOR.16,01x10,77x2,62	O-RING 16.01x10.77x2.62	3	3	3	3
23	Z203011000	CAMARA PRESOSTATO	PRESSURE SWITCH	1	1	1	1
24	3702400000	TUBO DE GOMA 8x4 D8*4	RUBBER PIPE 8x4 D8*4	1	1	1	1
	P102154000	BRIDA ELASTICA TUBO	ELASTIC PIPE FLANGE	2	2	2	2
25	Z103077000	RACORD EN Y	Y-CONNECTION	-	1	-	1
26	Z713098000	PRESOTATO SEGURIDAD	SAFETY PRESSOSTAT	-	1	-	1
27	Z713002000	PRESOSTATO SIMPLE	SIMPLE PRESSURE SWITCH	1	1	1	1
28	N503017000	SOPORTE TERMOSTATO 1001713	THERMOSTAT SUPPORT 1001713	2	2	2	2
S/Nº	P443060000	TAPON	COVER	1	1	1	1
29	R213004000	TERMOSTATO REARME MANUAL	MANUAL RESET THERMOSTAT	1	1	1	1
30	Z203014000	TERMOSTATO CALDERIN	WASH DRUM THERMOSTAT	2	2	1	1
	Q152024000	TORNILLO AVELLANADO M4x8	COUNTERSUNK BOLT M4x8	2	2	1	1

MOD.	LAVAVAJILLAS DE CAPOTA	ZONA	CONJUNTO FUNCIONAL ELECTRICA
------	------------------------	------	------------------------------

ITEM	CODIGO	DENOMINACION	TEXTO	AD-120	AD-120B	ADE-120	ADE-120B
31	3715520000	CANALETA UNEX 60,30,77	PIPING UNEX 60.30.77	3	3	3	3
	Q419005000	REMACHE 4x8 ALMG3 / ALUMINIO	RIVET 4X8 ALMG3 / ALUMINIUM	4	4	4	4
	Q221342000	REMACHE EXAGONAL M5	HEXAGONAL RIVET M5	1	1	1	1
	Q232040000	ARANDELA A6	WASHER A6	2	2	2	2
	Q162040000	TUERCA EXAGONAL M6	HEXAGONAL NUT M6	2	2	2	2
	Q152004000	TORNILL, APLASTADO M5x13 A304	FLAT HEADED BOLT M5x13 A304	1	1	1	1
	Z713035000	REGLETA 6 mm.	STRIP 6 mm.	1	1	1	1
	Z103064000	BASE UNEX 1252	BASE UNEX 1252	2	2	2	2
S/Nº	Z403016000	GUIA CONTACTOR L-100	CONTACTOR GUIDE L-100	1	1	1	1
	R663055000	GUIA CONTACTOR L-120	CONTACTOR GUIDE L-120	1	1	1	1
32	Z203050000	CONTAC. SIRIUS 3R 230V.50-60	CONTACT. SIRIUS 3R 230V.50-60	3	3	1	1
33	Z213007000	CONTACTOR 230 V. 50-60 HZ	CONTACTOR 230 V. 50-60 HZ	1	1	1	1
34	Z203062000	RELE 230V. 16A-60 HZ	RELAY 230V. 16A-60 HZ	1	1	1	1
	Z103083000	GUIA CONTACTOR L-73	CONTACTOR GUIDE L-73	1	1	1	1
35	Z713037000	CAJA CUADRO ELECTRICO	SWITCHBOARD BOX	1	1	1	1
36	Z683069000	BORNA 16	TERMINAL 16	3	3	-	-
	Z683097000	BORNA PASO WDU16 10204,8	STEP TERMINAL WDU16 10204.8	1	1	-	-
	Z683070000	BORNA A TIERRA WEIDMULLER	TERMINAL TO EARTH WEIDMULL	1	1	-	-
	Z683068000	SEÑALIZ.DEK-6WEIDMULLER	SIGNS DEK-6WEIDMULLER	1	1	-	-
	Z683096000	TOPE FINAL WEW35 10590.0	END STOP WEW35 10590.0	1	1	-	-
	Z103083000	GUIA CONTACTOR L-73	CONTACTOR GUIDE L-73	1	1	-	-
36	Z743006000	REGLETA DE CONEXIONES	CONNECTION STRIP	-	-	1	1
	Q152004000	TORNILL, APLASTADO M5x13 A304	FLAT HEADED BOLT M5x13 A304	-	-	2	2
	Q232030000	ARANDELA A5	WASHER A5	-	-	2	2
	Q162030000	TUERCA EXAGONAL M5	HEXAGONAL NUT M5	-	-	2	2
37	R023013000	PRENSA ESTOPAS	STUFFING BOX	1	1	1	1

AD 120, AD 120 B, AD 120 B BT, AD 120 C, AD 120 HY, AD 120 W,
 AD 100, AD 100 B, AD 100 B BT, AD 100 C, AD 100 HY, AD 100 W,
 AD 90, AD 90 B, AD 90 B BT, AD 90 C, AD 90 HY, AD 90 W,

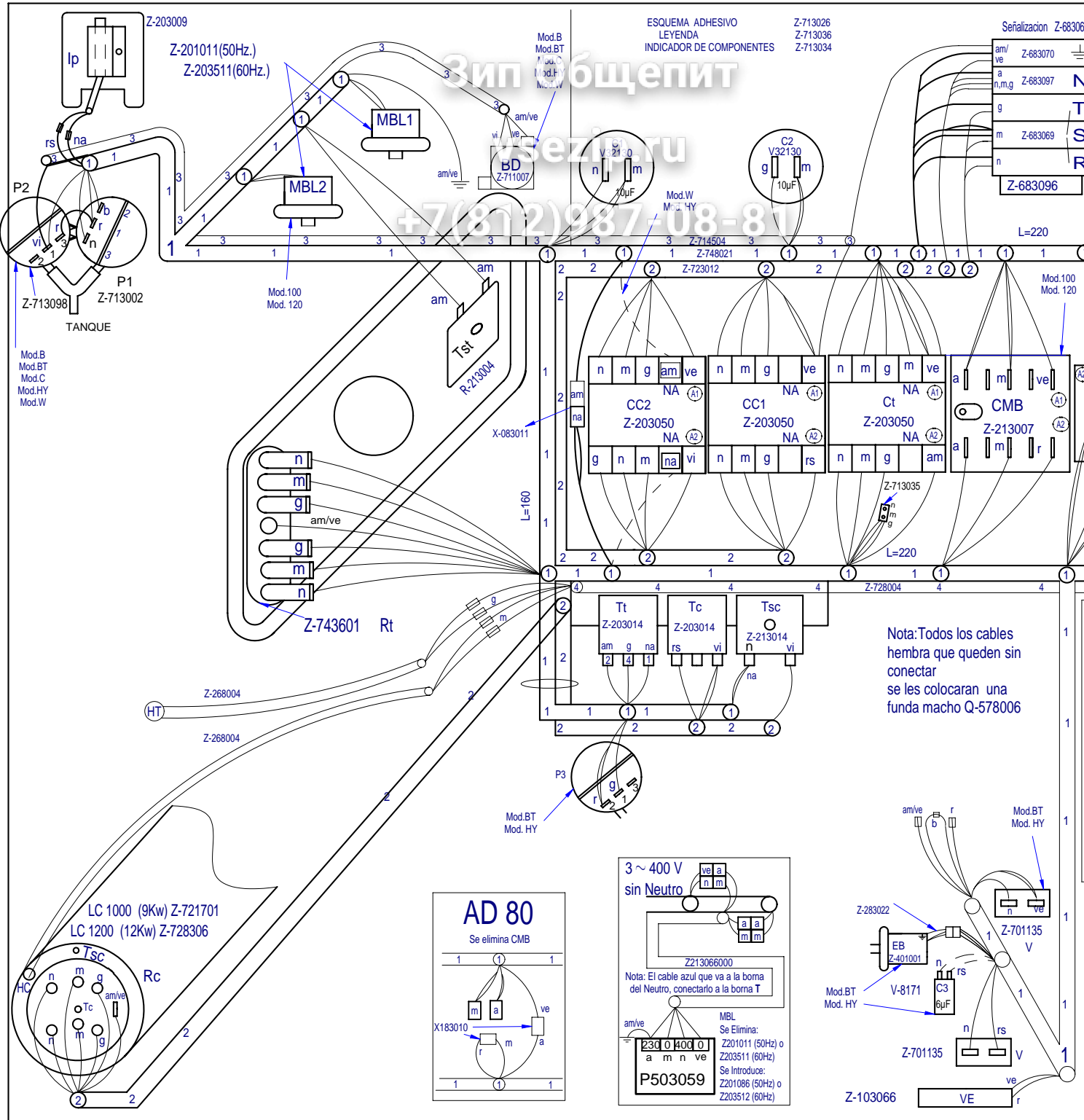


FAGOR ELECTRONICO MODELO ADVANCE	DIP1	DIP2	DIP3	DIP4	TIEMPOS CICLOS (sg.)
AD-90 , AD-90 DD, AD-90 B BT	ON	OFF	OFF	OFF	P1=75 / P2= 120 / P3=180
AD-90 W	ON	OFF	OFF	ON	
AD-120, AD-120 B, AD-120 B BT, ADE-120, ADE-120 B.	ON	OFF	ON	OFF	P1=55 / P2= 80 / P3=120 - ∞
AD-120 W, AD-120 HY , AD- 120 C	ON	OFF	ON	ON	

DIP1 = ON, al cerrar la puerta o bajar capó el lavavajillas se pone en marcha.
DIP1 = OFF, al cerrar la puerta o bajar el capo el lavavajillas sigue lavando **SÓLO SI EL CICLO NO HA ACABADO**.
DIP2 = ON, Para los modelos que llevan **DESCALCIFICADOR**, versiones "D".
DIP2 = OFF, para los modelos con **BOMBA DESAGÜE**, versiones "B".
DIP1 + DIP3, con las diferentes combinaciones posibles configuramos los tiempos de ciclo.
DIP4 = ON, TERMOSTOP ACTIVADO, para los modelos con termo stop, versiones "C", "W" y "HY".
DIP4 = OFF, TERMOSTOP DESACTIVADO, para los modelos que **NO** llevan **TERMOSTOP**.

		Esquema teorico AD 120
Zk.	NO	Pieza
Zk.	SI	Aidaketa/Modificaciones
Marratzua/Dibujado	Sinadura/Firma	Data/Fe
Proiektatua/Proyectado	M.Mailló	30-05-2
Egiazatua/Comprobado	<i>Z. Alube</i>	30-05-2
Eskala/Escala		

Plano hau ezin daiteke er



LEYENDA CAPOTA

	ESPAÑOL	FRANÇAIS	ENGLISH	DEUTSCH
Ⓐ Ⓑ	Puntos de conexión con R	Points de conexión R	Conecction point with R	Anschlußpunkte mit R
BD	Bomba desagüe	Pompe de vidange	Drain pump	Abflußpumpe
C 1/2/3	Condensador	Condensateur	Condenser	Kondensator
CMB	Contacto bomba lavado	Contacteur pompe lavage	Wash pump contactor	Kontaktschütz Waschpumpe
Cc 1/2	Contacto calentamiento calderin	Contacteur chauff. surchauffeur	Boiler heating contactor	Kontaktschütz Boilerheizung
Ct	Contacto calentamiento tanque	Contacteur chauffage cuve	Tank heating contactor	Kontaktschütz Heizung Tank
CP	Rele puerta	Relais porte	Door relay	Türrelais
Ds.Det.	Dosificador detergente	Dosueur de detergent	Detergent doser	Dosierer Spülmittel
E.B	Electrobomba de presión	Electropompe de pression	Electric pressure pump	Elektro-Drucksteigerungspump
IG	Interruptor general	Interrupteur general	Main switch	Hauptschalter
IP	Micro puerta	Micro porte	Door microswitch	Mikroschalter Tür
L1	Piloto de encendido	Voyant fonctionnement	Operation light	Betriebsanzeigelampe
L2	Piloto marcha	Voyant démarrage	Start light	Startanzeigelampe
L3	Piloto maquina preparada	Voyant machine prêt	Light machine ready	Betriebsbereitschaftsanzeige
MBL 1/2	Bomba lavado	Pompe lavage	Wash pump	Waschpumpe
M	Motor programador	Moteur du programmeur	Motor programmer	Motor Programmiervorrichtung
M Av. R	Motor program. avance rapido	Moteur du progr.avance rapide	Motor program. rapid advance	Motor Programmiervorrich. s
M1	Micro programador marcha	Micro du programm. de marche	Micro programmer on	Motor Programmiervorrich. B
M2	Micro programador lavado	Micro du programm. de lavage	Micro programmer wash	Motor Programmiervorrich. W
M3	Micro programador aclarado	Micro du programm. de rinçage	Micro programmer on	Motor Programmiervorrich. S
M4	Micro programador Termo-stop	Micro du programm. Termo-stop	Micro programmer Termo-stop	Motor Programmiervorrich. Th
M5	Micro programador avance	Micro du programm. avance	Micro programmer advance	Motor Programmiervorrich. V
M6	Micro programador avance	Micro du programm. avance	Micro programmer advance	Motor Programmiervorrich. V
P, P1, P5	Presostato	Pressostat	Pressure switch	Druckwächter
P2, P3, P4	Presostato limitador	Pressostat de sécurité	Hi-limit pressure switch	Begrenzer Druckwächter
R	Rele de Generador de A.C.	Relais du Generateur	Generator rele	Relais Generator
Ⓡ Ⓝ	Toma de alimentac. Generador A.C.	Alimentation generateur	Water heater feeding	Stromversorgungsanschluß C
RC	Resistencia calderin	Resistance surchauffeur	Boiler heating element	Heizwiderstand Boiler
RT	Resistencia tanque	Resistance cuve	Tank heater	Heizwiderstand Tank
Tt	Termostato tanque	Thermostat de cuve	Tank thermostat	Thermostat Tank
TC	Termostato calderin	Thermostat surchauffeur	Boiler thermostat	Thermostat kessel
Tst	Limitador tanque	Limiteur de cuve	Tank limiter	Begrenzer Tank
TSC	Limitador calderin	Limiteur surchauffeur	Boiler Hi-limit	Begrenzer Boiler
TSTP	Termostato termo-stop	Thermostat Termo-stop	Termo-stop Thermostat	Thermostat Termo-stop
V	Electrovalvula llenado y aclarado	Electrovan. remplissage rinçage	Fill and rinse valve	Elektroventil Füllen und Spül
VE	Ventilador cuadro electrico	Ventilateur tableau électrique	Switchboard fan	Schalttafelventilator
COLOR	COLORES	COULEURS	COLOUR	FARBEN
a =	Azul	Bleu	Blue	Blau
am =	Amarillo	Jaune	Yellow	Gelb
am/ve =	Amarillo/verde	Jaune / vert	Yellow / green	Gelb/grün
b =	Blanco	Blanc	White	Weiß
g =	Gris	Gris	Grey	Grau
m =	Marrón	Marron	Brown	Braun
n =	Negro	Noir	Black	Schwarz
na =	Naranja	Orange	Orange	Orange
r =	Rojo	Rouge	Red	Rot
rs =	Rosa	Rose	Pink	Rosa
ve =	Verde	Vert	Green	Grün
vi =	Violeta	Violet	Purple	Violett