

Зип Общепит

vsezip.ru

+7(812)987-08-81



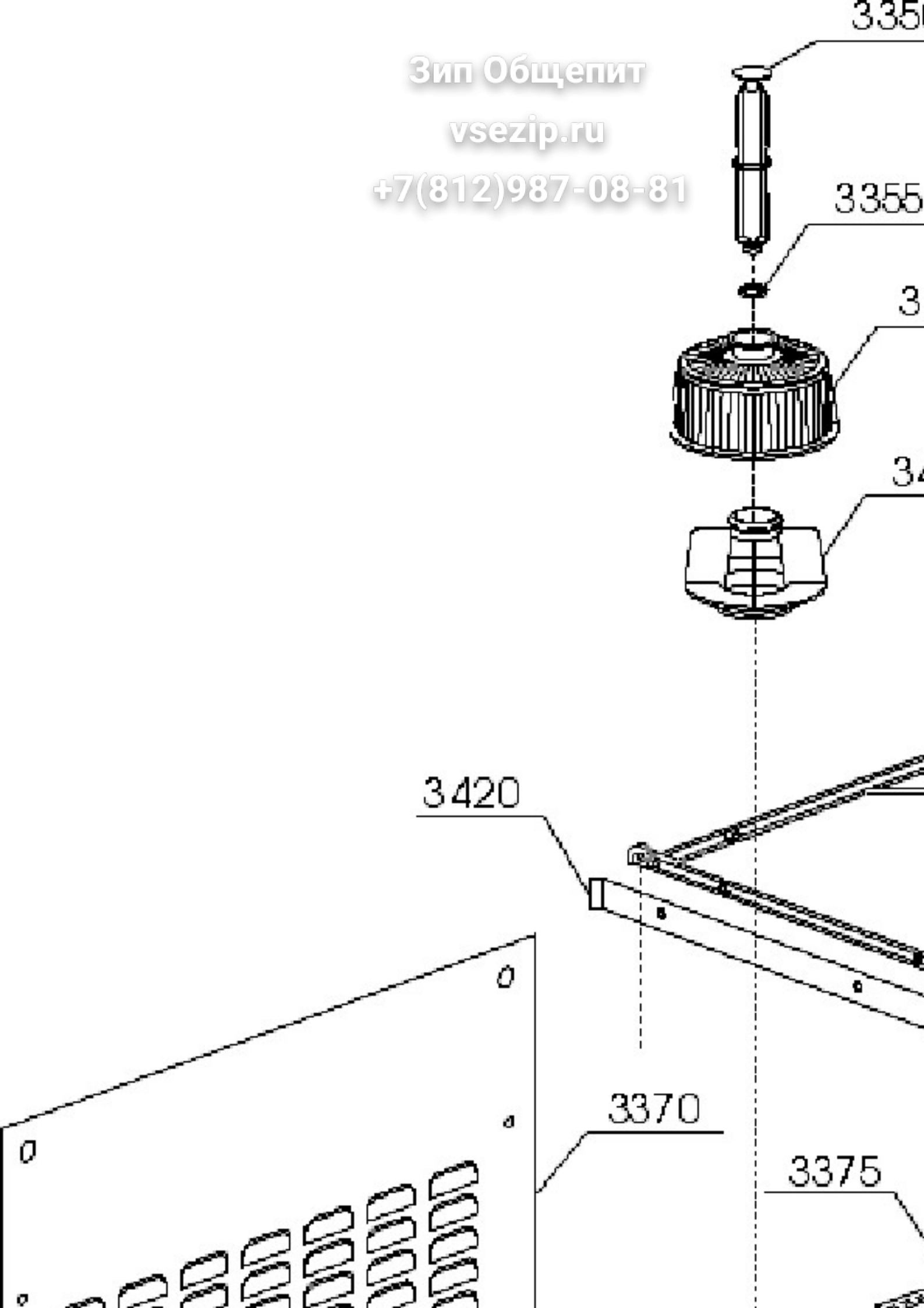
KD100

Edition 20090731-

Зип Общепит

vsezip.ru

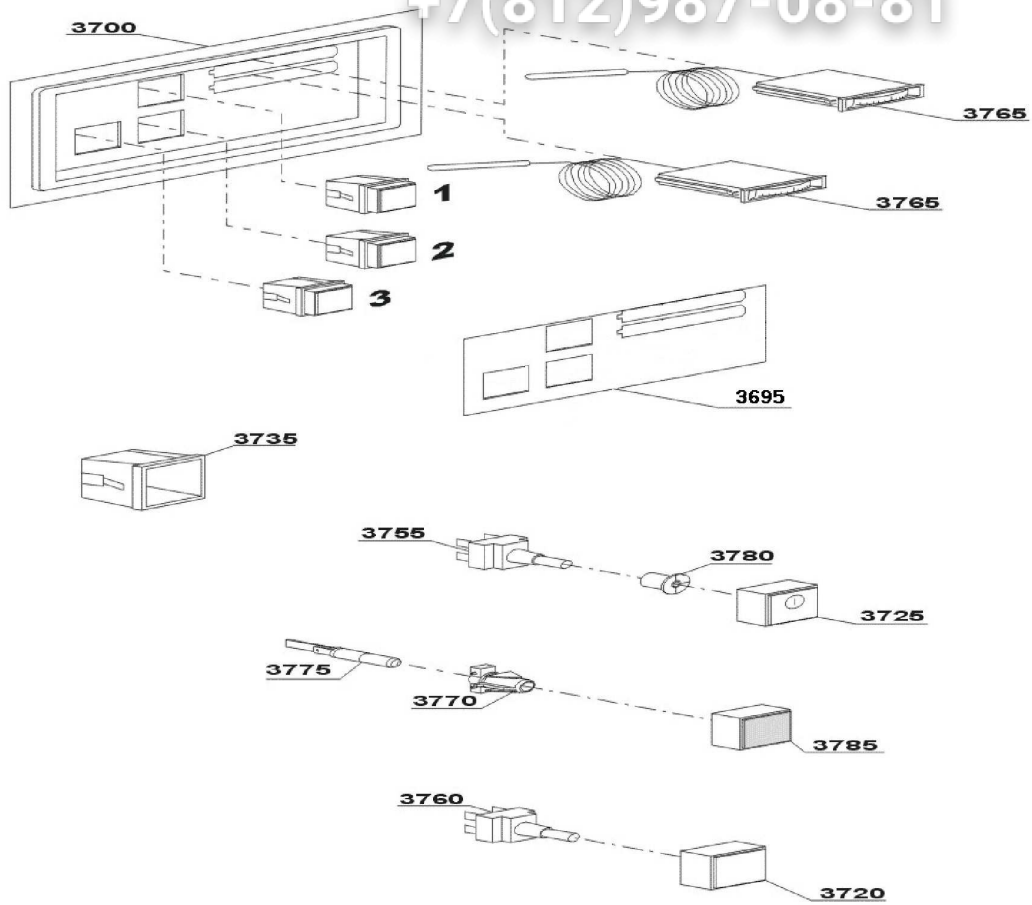
+7(812)987-08-81



Зип Общепит

vsezip.ru

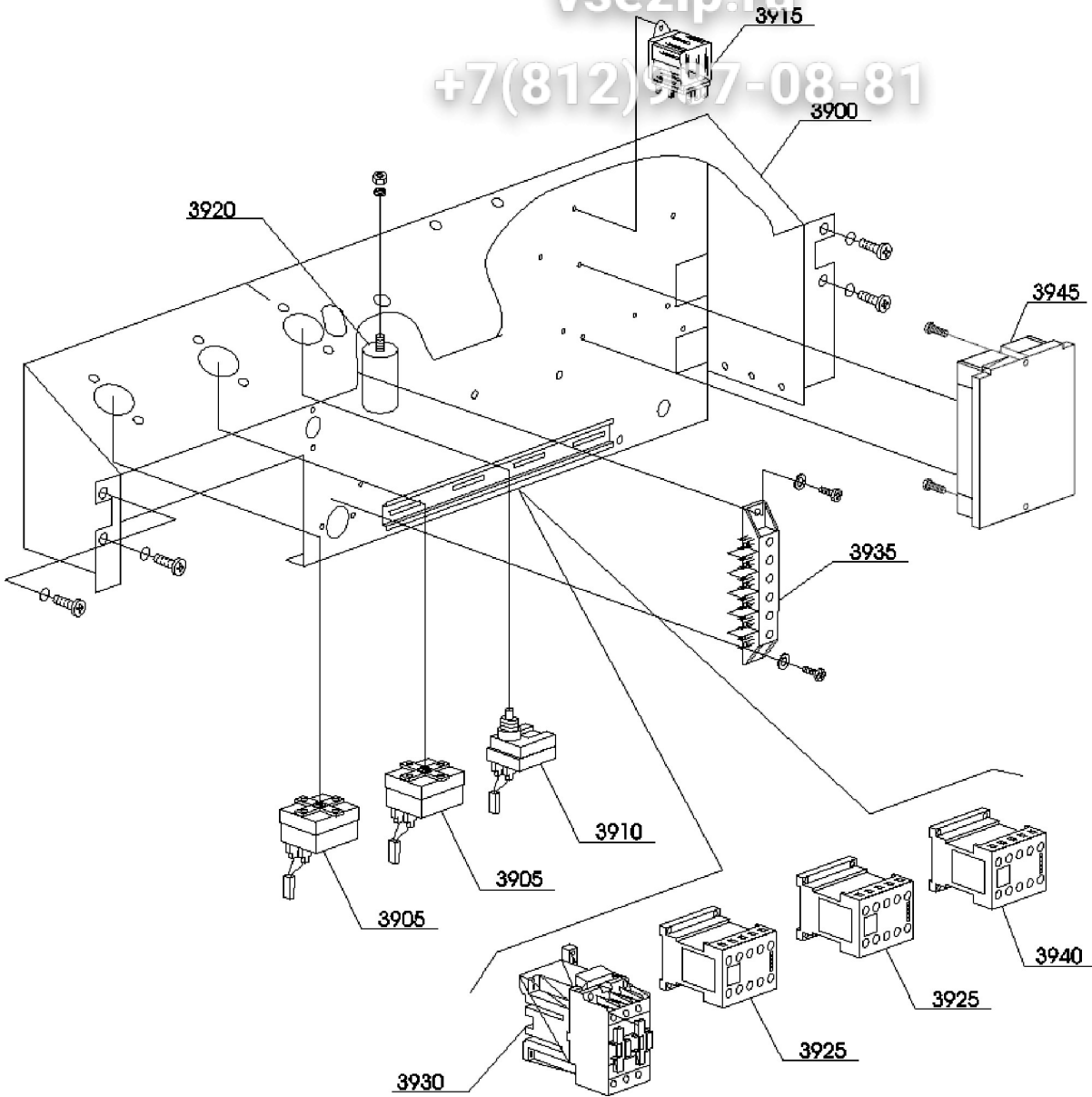
+7(812)987-08-81



Зип Общепит

vsezip.ru

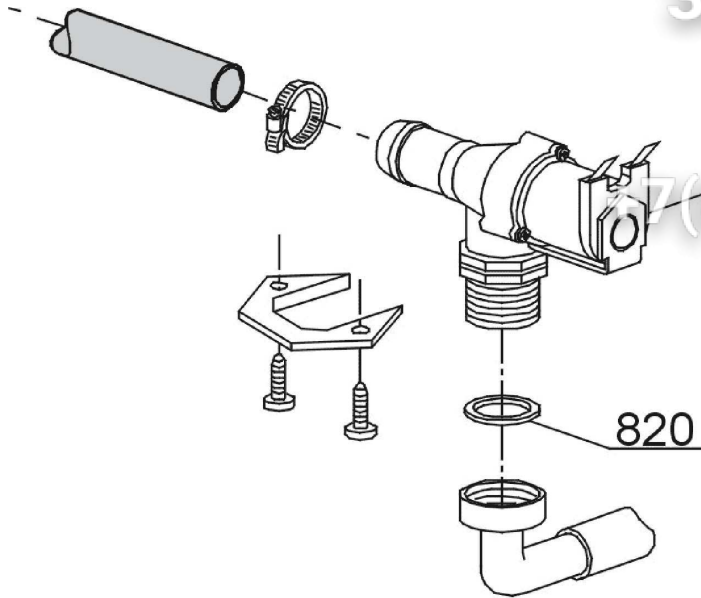
+7(812)987-08-81



Зип Общепит

vsezip.ru

7(812)987-08-81

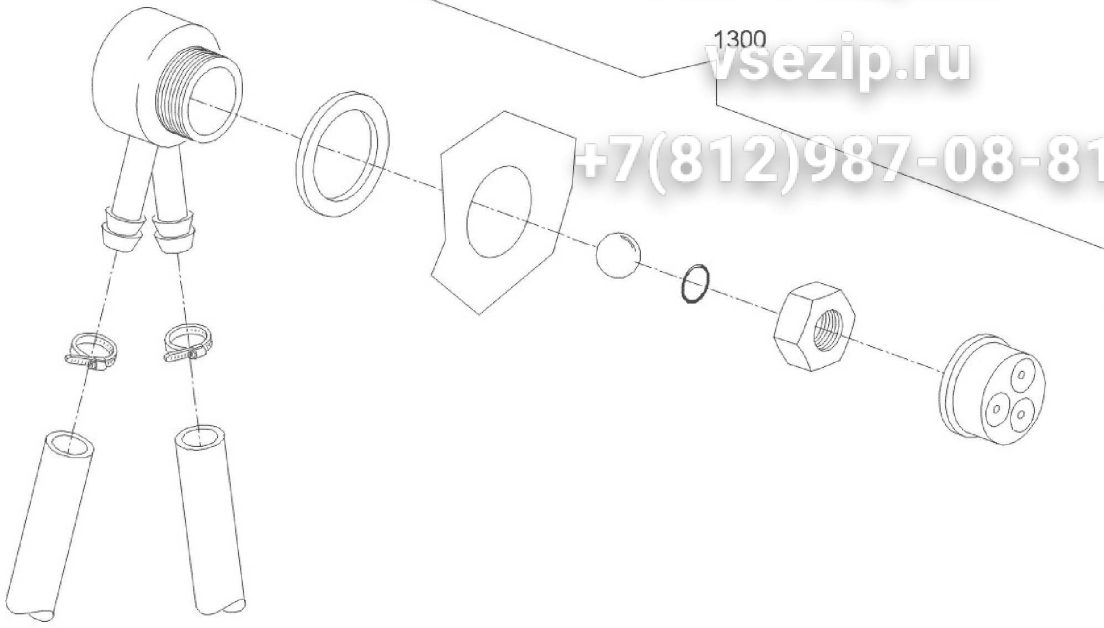


05_005_e

Зип Общепит

1300
vsezip.ru

+7(812)987-08-81



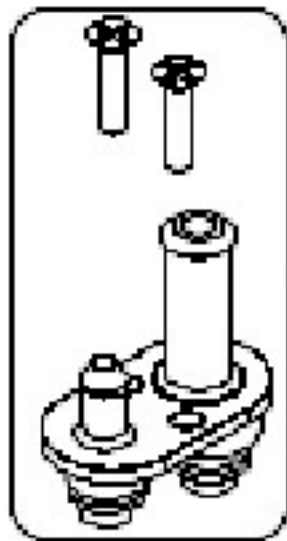
08_005_e

Rf. 4800

Зип Общежит

vsezip.ru

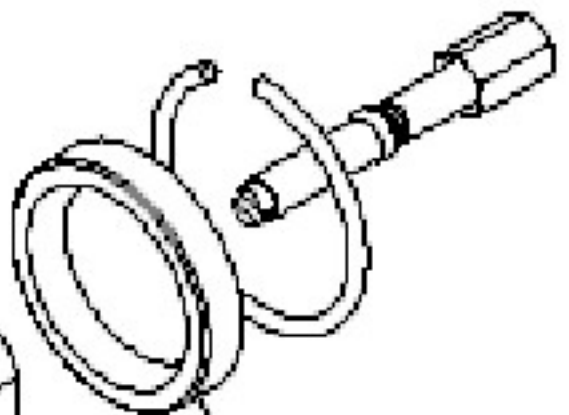
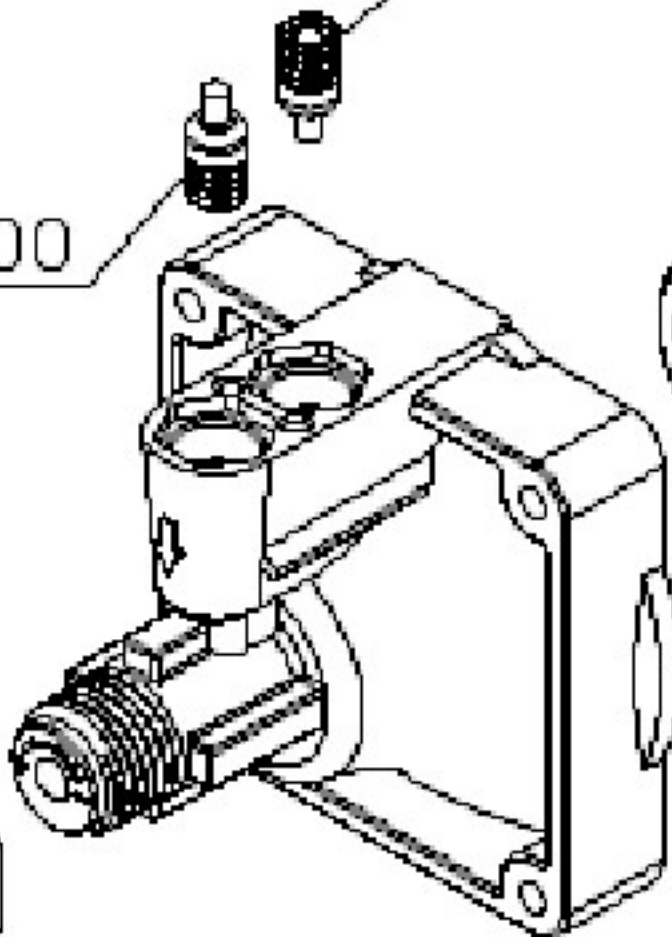
+7(812)987-08-81



4850

4800

4800



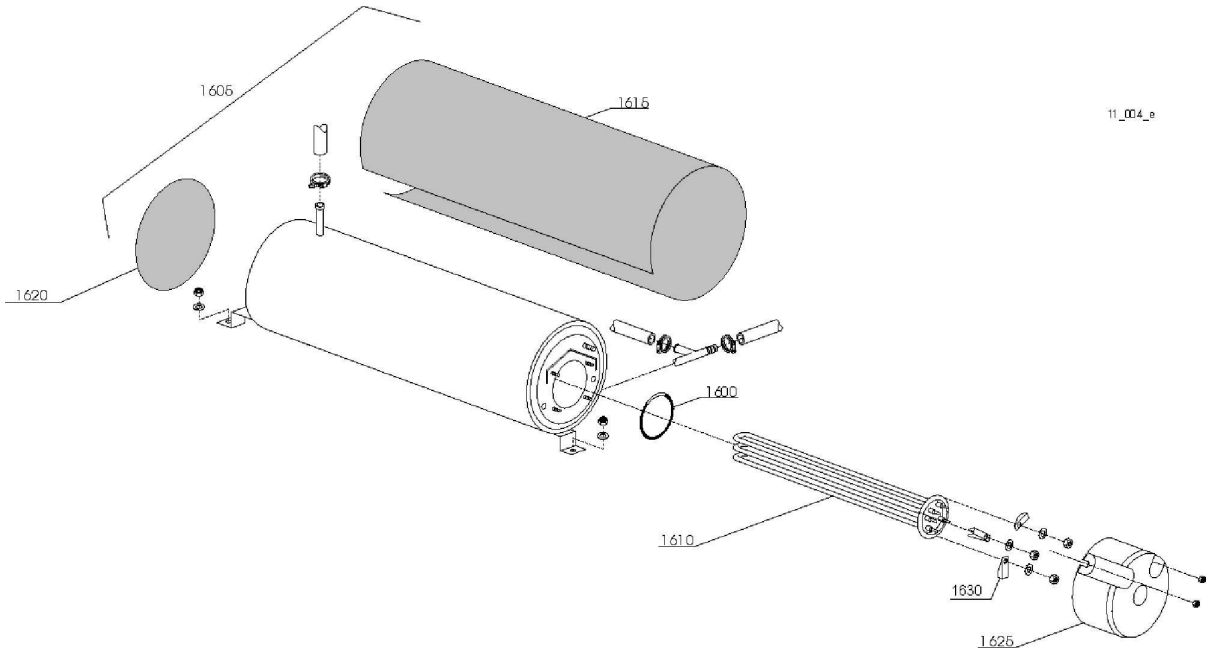
4805



Зип Общепит

vsezip.ru

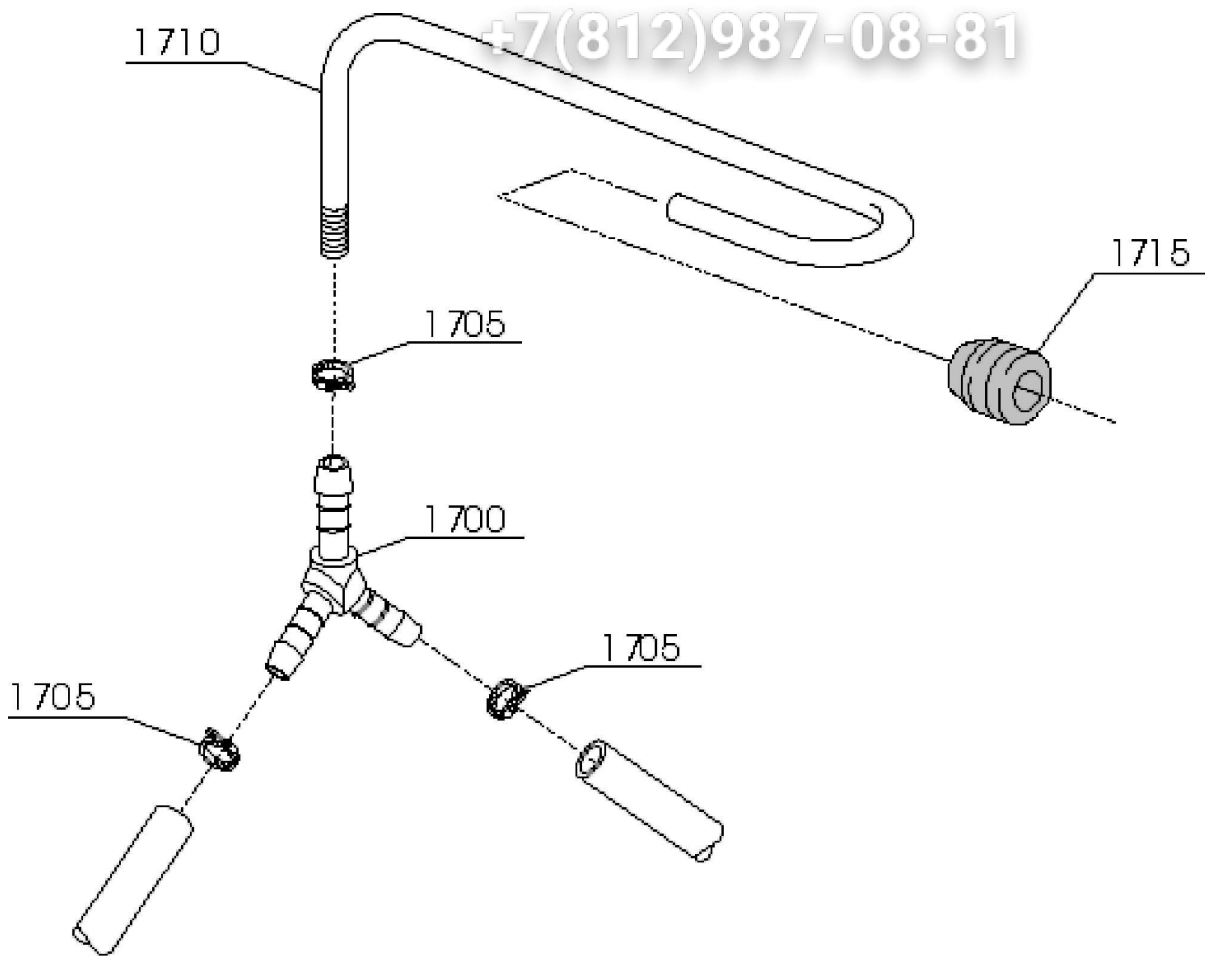
+7(812)987-08-81



Зип Общепит

vsezip.ru

+7(812)987-08-81



12_003_e

Зип Общепит
vsezip.ru
+7(812)987-08-81

4315

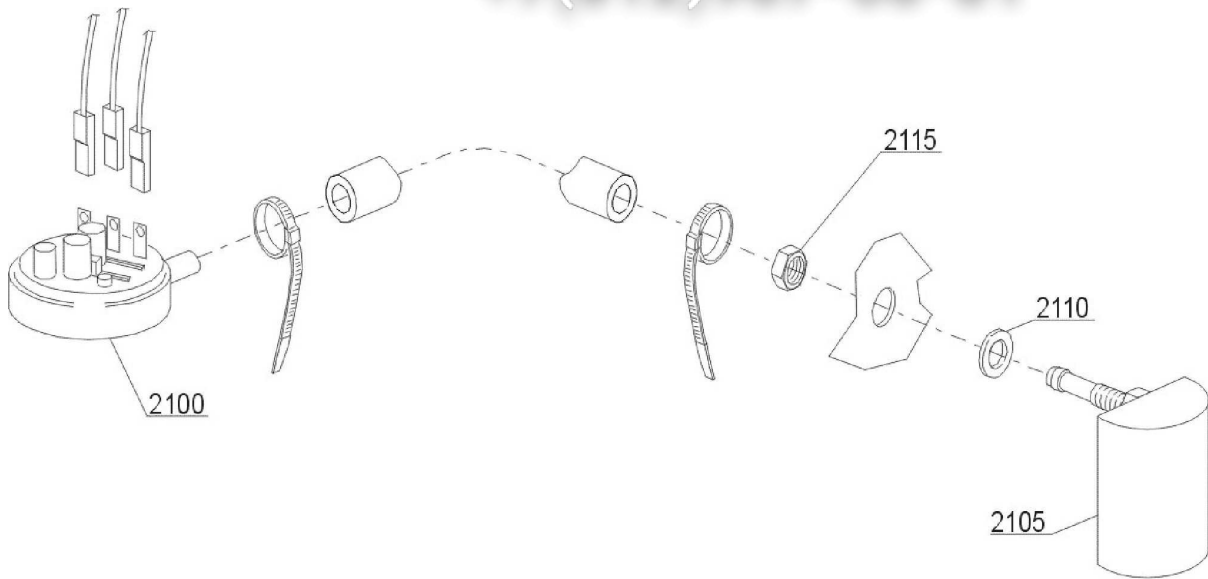


The image shows a technical drawing of a vertical shaft. A callout line originates from the number '4315' and points to a specific section of the shaft. At the bottom of the shaft, there are several components: a small rectangular flange-like part, a larger cylindrical component with a textured surface, and another cylindrical component below it. The shaft is represented by a solid line, while the lower components are shown with dashed lines to indicate they are behind the main shaft.

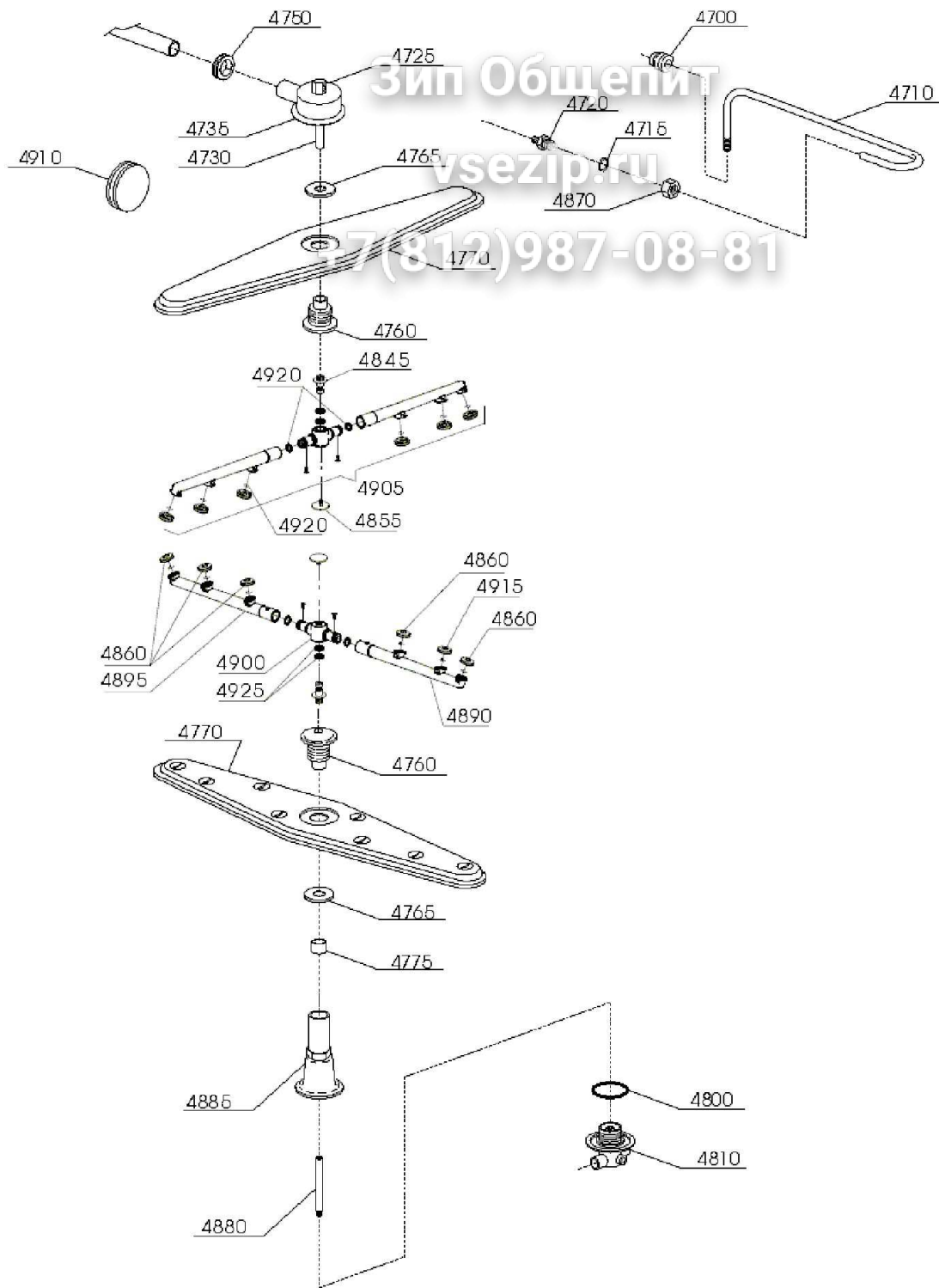
Зип Общепит

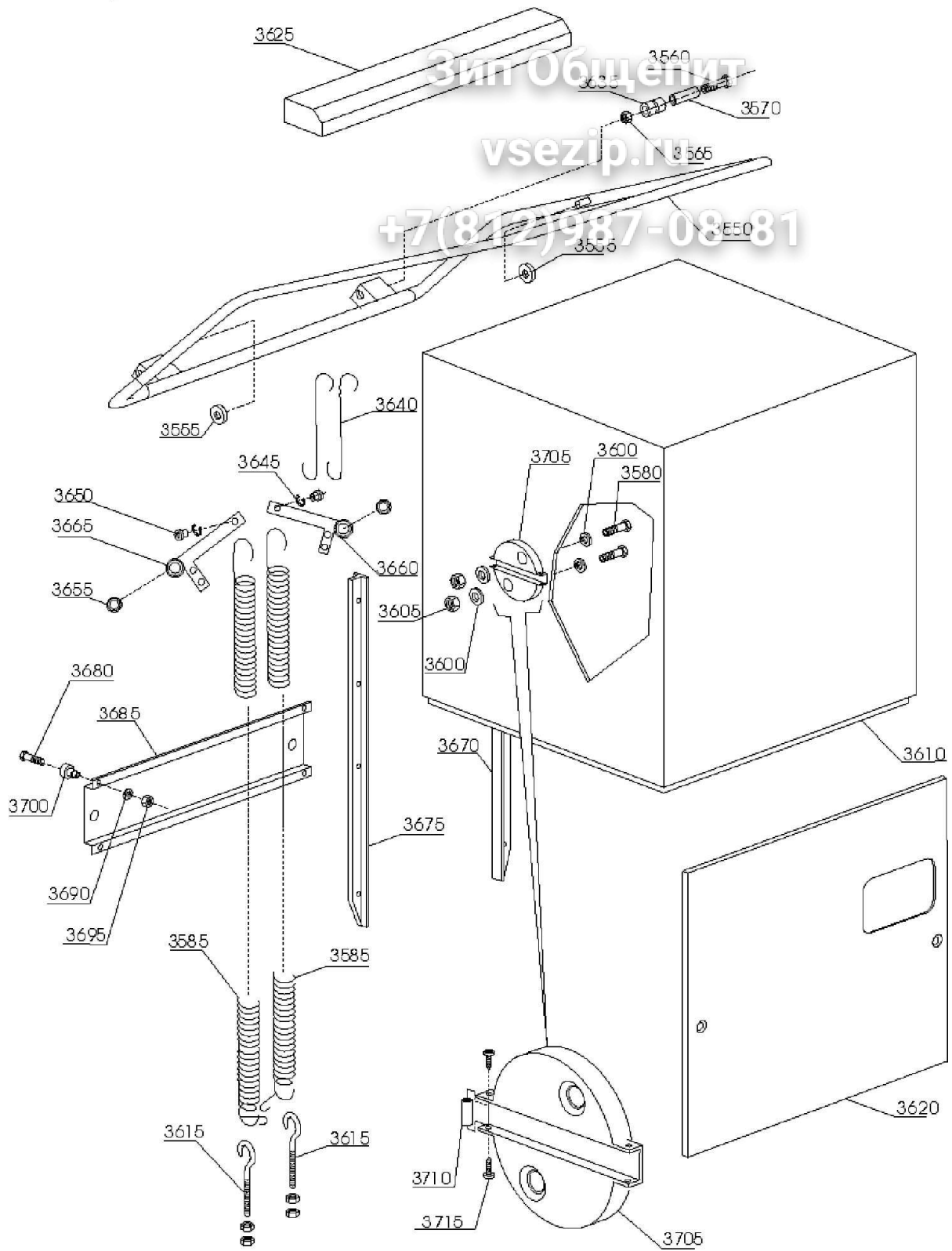
vsezip.ru

+7(812)987-08-81



16_001_e





Зип Общепит

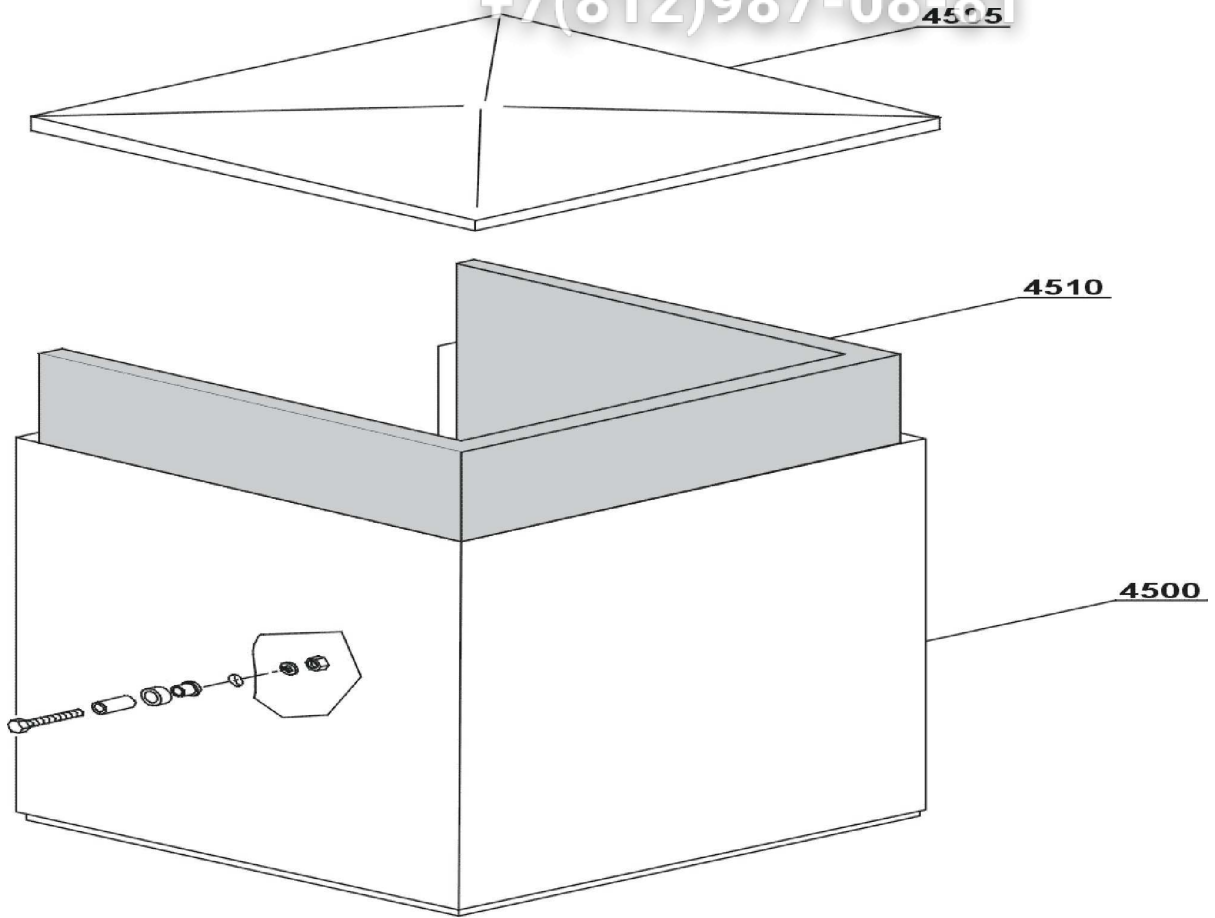
vsezip.ru

+7(812)987-0881

Зип Общепит

vsezip.ru

+7(812)987-08-81



02_300_e

Page	Pos	Code	Description	Info
002	3300	36U0830	Basket support	01/05/2004-
002	3305	30Q3230	FILTER	01/05/2004-
002	3310	30Q3230	FILTER	01/05/2004-
002	3315	3196980	Sleeper holder-filter	01/05/2004-
002	3320	30Q3250	Suction filter	01/05/2004-
002	3325	3020420	Stainless steel floor drain	01/07/2003-
002	3330	37Q5100	95x75x3 gasket	01/05/2004-
002	3340	33M1810	Right side scrap tray	01/05/2004-
002	3345	36E4180	Foot	01/07/2003-
002	3350	33D3360	Overflow pipe	01/05/2004-
002	3355	37Q5140	DEM 40 gasket	01/07/2003-
002	3360	KD100-Pos.3360	Base assembly	01/05/2004-
002	3370	KD100-Pos.3370	Back panel	01/07/2003-
002	3370	KD100-Pos.3370	Back panel	01/05/2004-
002	3375	32W4130	Limit stop push button	01/07/2003-
002	3385	32G3360	HEATING 2,7 Kw	01/05/2004-
002	3390	3103800	Right/left pilot bush	01/05/2004-
002	3395	3242120	Left standard	01/05/2004-
002	3400	KD100-Pos.3400	O46 mm fairlead	01/05/2004-
002	3405	32D1850	Cable-fastener with screw	01/05/2004-
002	3410	36H1490	Basket-holder support pin	01/05/2004-
002	3415	3242130	Right standard	01/05/2004-
002	3420	3022060	BASKET SIDE	01/05/2004-
002	3425	3021640	Ferrule with filter	01/05/2004-
002	3430	3191910	Spring	01/05/2004-
002	3435	3218310	Support for the security system	01/05/2004-
002	3440	3218320	assembly Security system cord	01/05/2004-
002	3445	KD100-Pos.3445	Passage ring for the security cord	01/05/2004-
003	3695	3021380	Speed plate	01/07/2003-
003	3700	3AA5120	Control panel (with 2 thermometers)	01/07/2003-
003	3720	32W4270	Yellow key	01/07/2003-
003	3725	32W4260	Green ON-OFF key	01/07/2003-
003	3735	36U0860	Square grey single support	01/07/2003-
003	3755	32W4150	16A SWITCH ONLY	01/07/2003-
003	3760	32W4140	16A bipolar switch	01/07/2003-
003	3765	32V7230	Thermometer	01/07/2003-
003	3770	36U0850	Pilot light support	01/07/2003-
003	3775	32W4220	Pilot light	01/07/2003-
003	3780	33Q6440	Green-orange cam	01/07/2003-
003	3785	32W4160	Green gem	01/07/2003-
004	3900	KD100-Pos.3900	Electric component panel	01/05/2004-
004	3905	32V7240	0-90°C thermostat	01/07/2003-
004	3910	32V7260	SAFETY THERMOSTAT	01/07/2003-
004	3915	32V7100	Bipolar relay in deviation	01/07/2003-
004	3920	32V7020	Low noise filter	01/07/2003-
004	3925	32V7170	Remote control switch 230V 50/	01/07/2003-
004	3930	32V7200	25A/12A remote control switch	01/07/2003-
004	3935	32D1860	6 poles terminal board	01/07/2003-
004	3940	32V7160	3NA/1NC remote control switch	01/07/2003-
004	3945	3026660	ELECTRONICTIMER	27/05/2008-
005	800	33D3280	Modification Single solenoid valve	01/07/2003-

Page	Pos	Code	Description	Info
005	820	KD100-Pos.820	Pression reducing valve	01/07/2003-
006	1300	33D2100	SAFETY VALVE	01/09/2007-
007	4800	3023040	Tecnopro dosing valve	01/07/2003-
007	4805	3024680	O22 gasket	01/07/2003-
007	4810	3206600	Membrane	01/07/2003-
007	4820	33D3240	3 out shining product dosing d	01/07/2003-
007	4830	36H1500	Counter-weight	01/07/2003-
007	4840	30Q3210	Small filter	01/07/2003-
007	4850	3187520	Flexible-pipe holder	01/07/2003-
008	1600	37Q5260	6225 OR 160 NBR gasket	01/07/2003-
008	1605	34A2560	Boiler + insulating boiler	01/07/2003-
008	1610	32G3410	9KW heating element	01/07/2003-
008	1615	3216940	Boiler insulating	01/07/2003-
008	1620	3216950	Ø160 bottom	01/07/2003-
008	1625	35E8870	Heating element guard	01/07/2003-
008	1630	3113780	HEATING ELEMENT SUPPORT	01/07/2003-
009	1700	33Q6520	O12 mm plastic 3 ways derivati	01/05/2004-
009	1705	3140230	12/20 PIPE CLAMP	01/07/2003-
009	1710	3111610	Rinse ramp	01/05/2004-
009	1715	37Q5170	Pipe-pass gasket	01/05/2004-
010	4300	32M6990	WASHING PUMP	01/07/2003-
010	4305	33M1700	Suction pipe coupling	01/05/2004-
010	4310	3069610	Top delivery pipe	01/05/2004-
010	4315	3089070	Wash ramp	01/05/2004-
010	4320	33M1830	Lower delivery wash pipe	01/07/2003-
010	4325	32V6990	Condenser 16 uF	01/07/2003-
010	4330	3033900	Rotating seals	01/07/2003-
010	4335	3020400	OR gasket	01/07/2003-
010	4340	3020380	Scroll	01/07/2003-
010	4345	3020390	Pump rotor	01/07/2003-
010	4350	33M1660	Drain pipe	01/05/2004-
011	2100	32V7060	47-27 pressure switch	01/05/2004-
011	2105	33D3320	Grey air trap assembly	01/07/2003-
011	2110	37Q5130	Gasket	01/07/2003-
011	2115	33Q6470	M8 stainless steel nut	01/07/2003-
012	4700	37Q5170	Pipe-pass gasket	01/07/2003-
012	4710	3111610	Rinse ramp	01/05/2004-
012	4720	33Q6620	O10 rinse pipe fitting	01/07/2003-
012	4725	33Q6570	Rinse elbow	01/07/2003-
012	4730	33Q6420	Top rinse axle extension	01/07/2003-
012	4735	33Q6690	Stainless steel turret	01/07/2003-
012	4750	3081380	Pipe-pass gasket 51X34X14	01/05/2004-
012	4760	33Q6600	Hub for rotor	01/07/2003-
012	4765	33Q6490	Nut for hub	01/07/2003-
012	4770	36H1400	Stainless steel wash rotor	01/07/2003-
012	4775	36E4140	Spacer for hub	01/07/2003-
012	4800	37Q5260	6225 OR 160 NBR gasket	01/05/2004-
012	4810	33Q6680	Top/lower turret	01/05/2004-
012	4845	3036720	Rinse axle	01/05/2004-
012	4855	3036730	Rinse screw	01/05/2004-
012	4860	3035840	OPENED HEAD RINSE NOZZLE	31/07/2009-

Page	Pos	Code	Description	Info
012	4870	33Q6500	O10 pipe fitting 3/8x3,5 nut 19 hexagonal	01/07/2003-
012	4880	3237110	hexagonal Rinse axle	01/05/2004-
012	4885	3023060	Lower pipe coupling	01/05/2004-
012	4890	3176000	Right rinse pipe	31/07/2009-
012	4895	3176010	Left rinse pipe	31/07/2009-
012	4900	3175070	Rinse rotor	31/07/2009-
012	4905	3028930	Top/lower rinse group	31/07/2009-
012	4910	3113650	DVGW hole gasket	01/05/2004-
012	4915	3040290	CLOSED HEAD RINSE	31/07/2009-
012	4920	3035830	NOZZLE OR R6 NBR gasket	31/07/2009-
012	4925	3176020	GASKET	31/07/2009-
013	3550	36M7780	Grip	01/05/2004-
013	3555	36F0520	Wheel for basket	01/05/2004-
013	3560	31Z0290	SCREW	01/05/2004-
013	3570	36E4150	Roller spacer	01/05/2004-
013	3580	31Z0280	SCREW	01/05/2004-
013	3585	36H1460	Back spring	01/05/2004-
013	3600	37Q5130	Gasket	01/05/2004-
013	3605	33Q6460	M8 stainless steel self- lockin	01/07/2003-
013	3610	3036150	Hood	01/05/2004-
013	3615	30T7480	Tie rod screw with hook	01/07/2003-
013	3620	3045440	Lower door panel	01/05/2004-
013	3625	3245600	Back sleeper	01/07/2003-
013	3635	36H1530	Roller tie rod	01/05/2004-
013	3640	30T7470	Union grip/levers tie rod	01/05/2004-
013	3645	31Z0270	O10 stainless steel snap ring	01/05/2004-
013	3650	36E4120	Spring bush	01/05/2004-
013	3655	36F0530	Lever bearing	01/05/2004-
013	3660	36M7750	Right lever	01/05/2004-
013	3665	36M7760	Left lever	01/05/2004-
013	3670	3036430	Capote right sliding guide	01/05/2004-
013	3675	3036440	Capote left sliding guide	01/05/2004-
013	3680	KD100-Pos.3680	M10x35 TE Stainless steel screw	01/05/2004-
013	3685	3220830	Leavers bearing foor hood	01/05/2004-
013	3690	KD100-Pos.3690	M10 Stainless steel epring washer	01/05/2004-
013	3695	KD100-Pos.3695	M10 inox nut	01/05/2004-
013	3700	3220840	Lifting rod pin	01/05/2004-
013	3705	33Q6430	Capote movement cam	01/05/2004-
013	3710	3073440	Spacer	01/05/2004-
013	3715	31B0400	SCREW	01/05/2004-