

Зип Общепит

vsezip.ru

+7(812)987-08-81



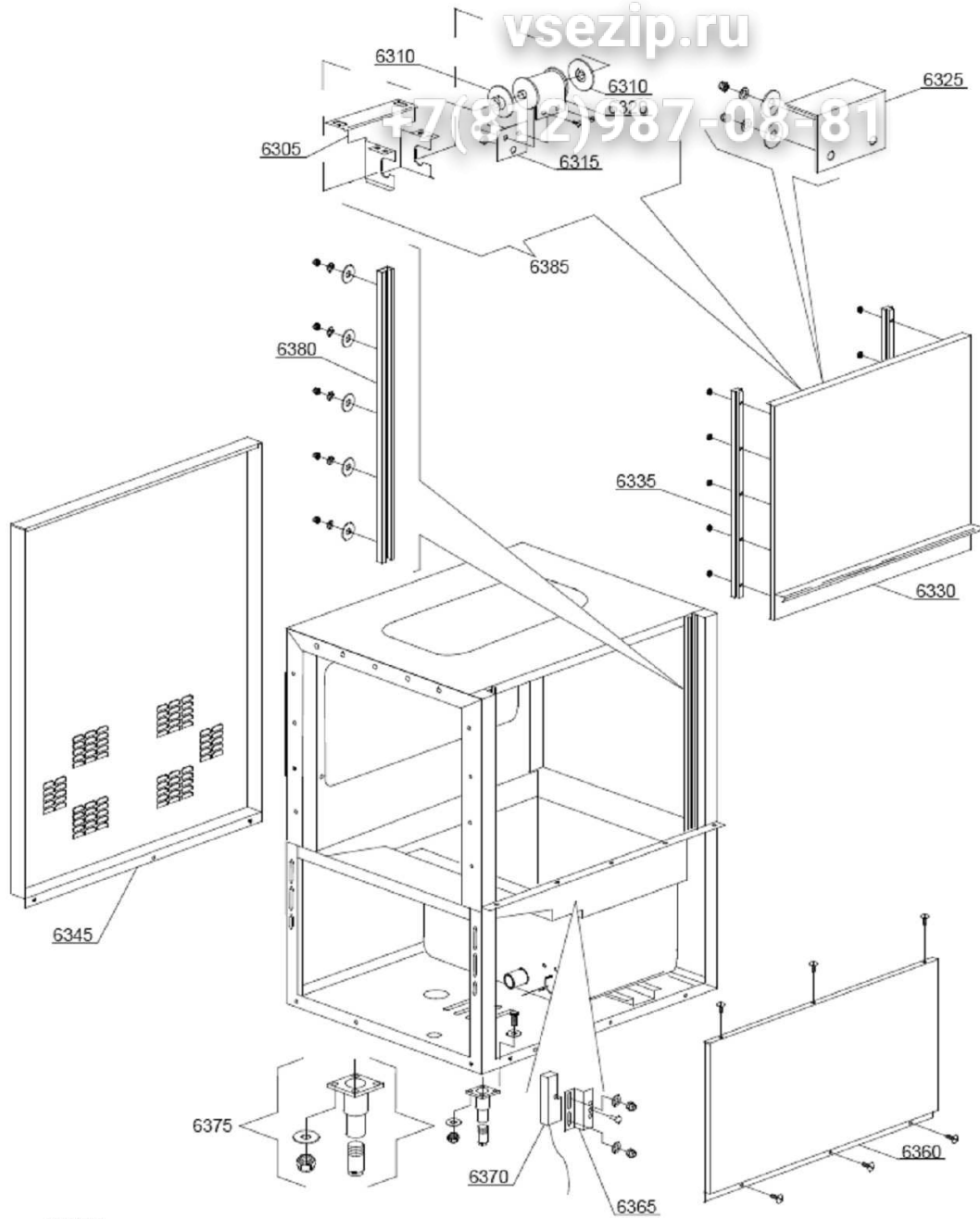
N100S

Edition 20100301-

Зип Общепит

vsezip.ru

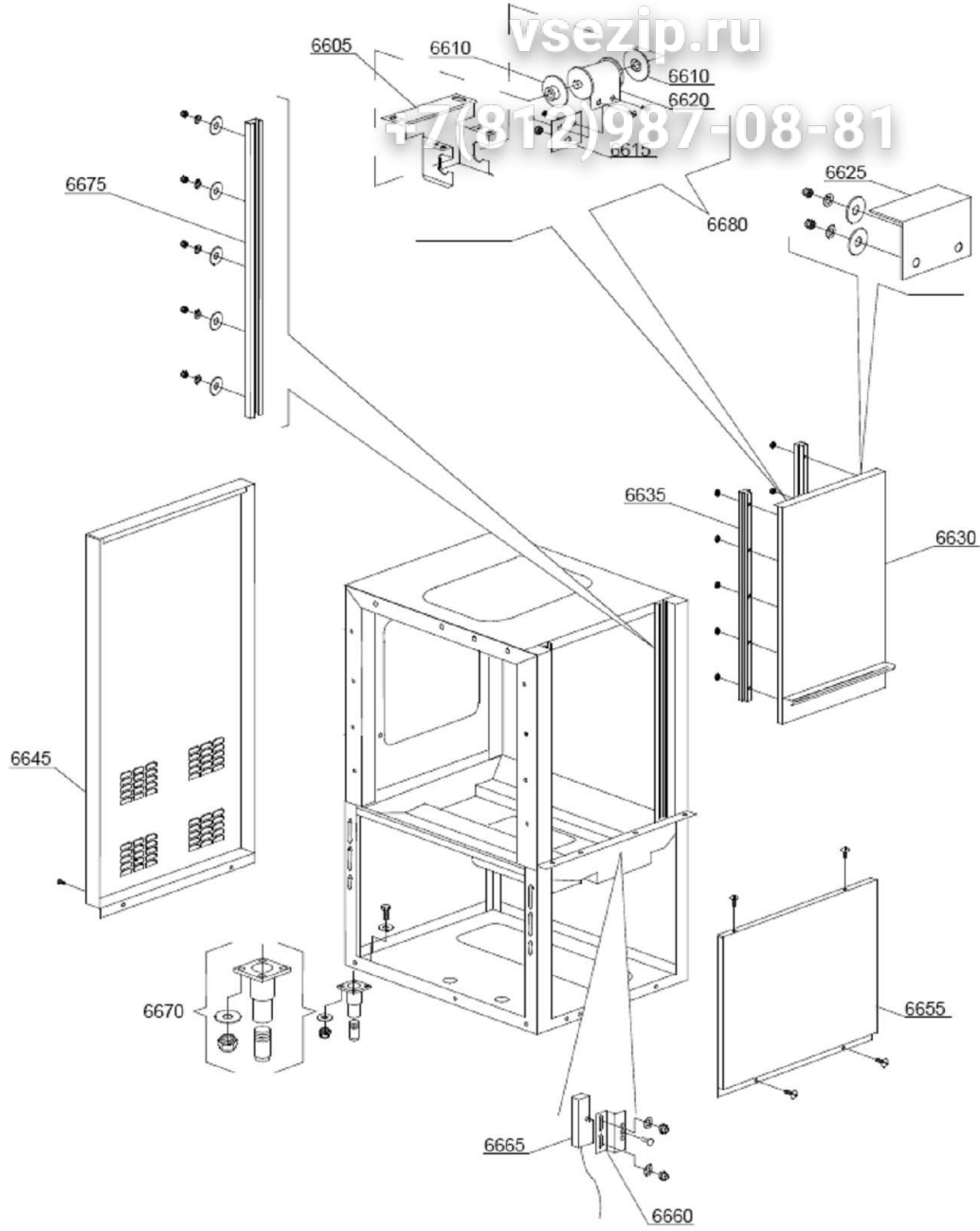
+7(812)987-08-81



03_001be

vsezip.ru

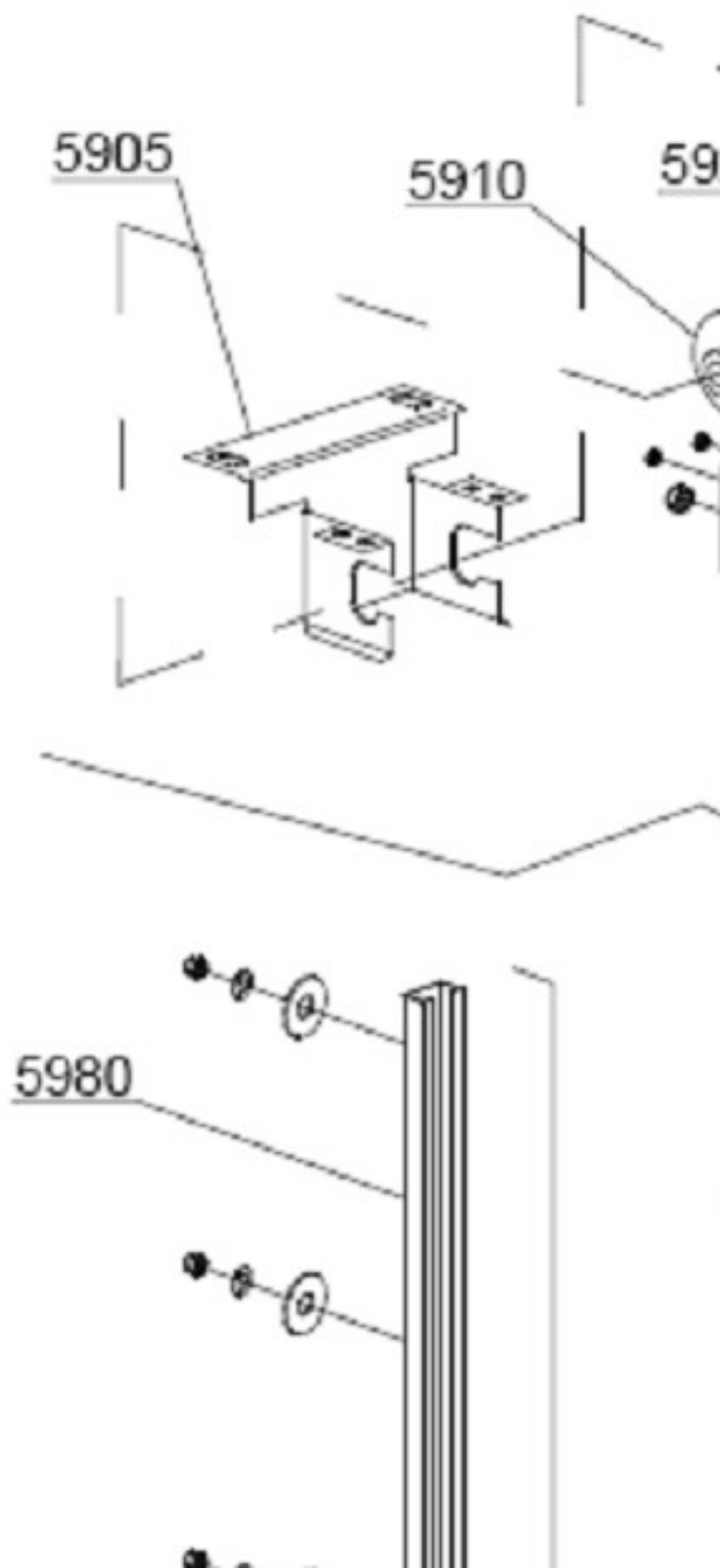
+7(812)987-08-81



Зип Общепит

vsezip.ru

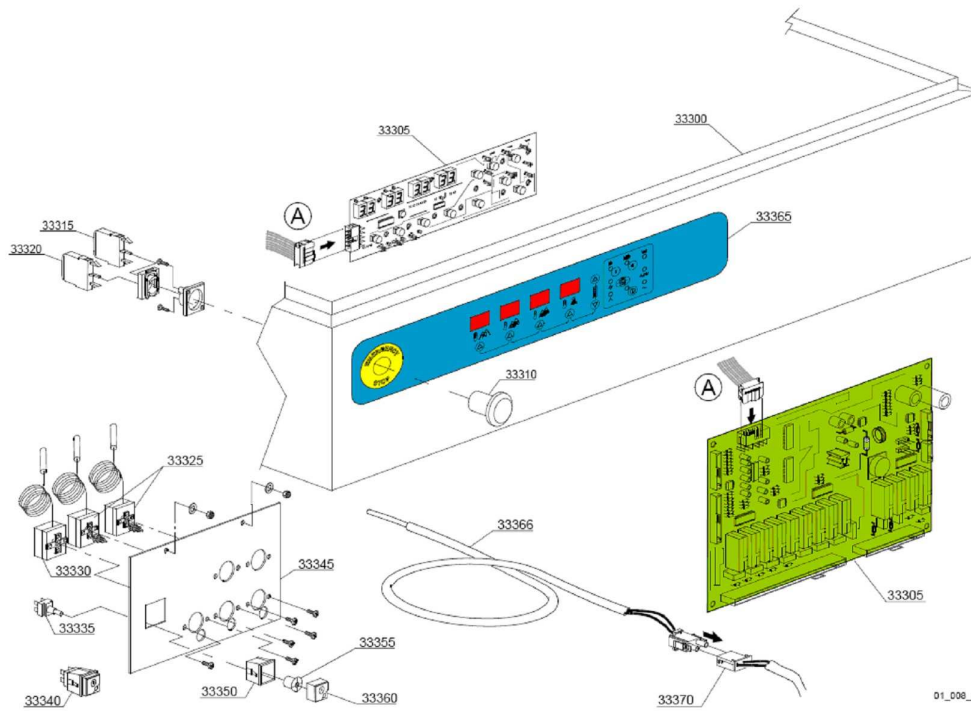
+7(812)987-08-81



Зип Общепит

vsezip.ru

+7(812)987-08-81

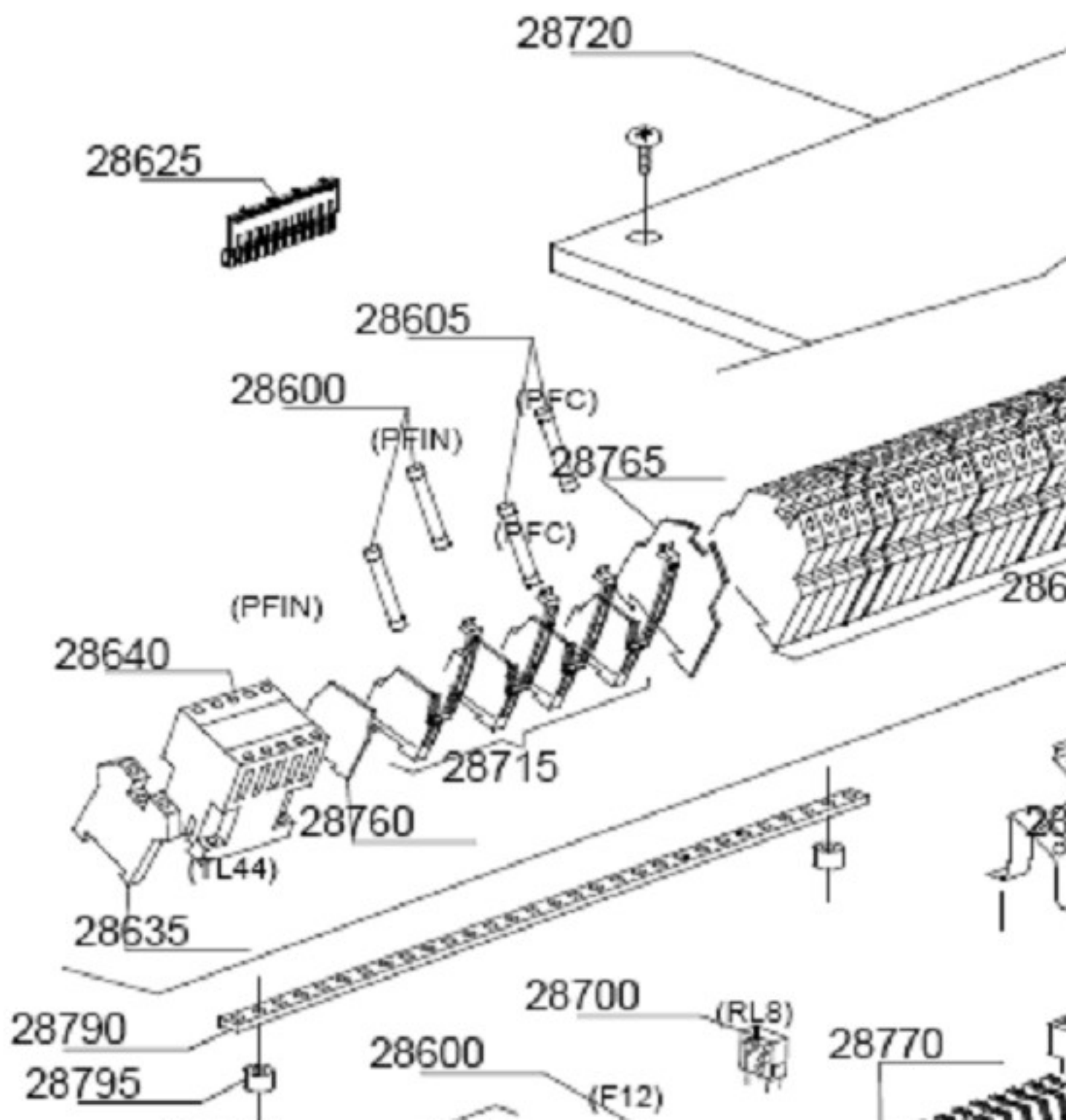


Зип Общепит

vsezip.ru

+7(812)987-08-81

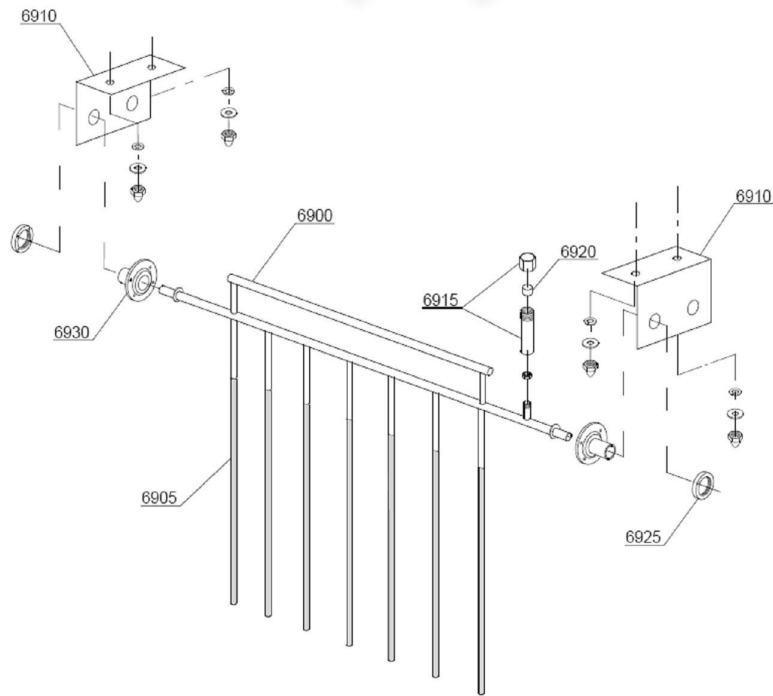
02_004_e



Зип Общепит

vsezip.ru

+7(812)987-08-81

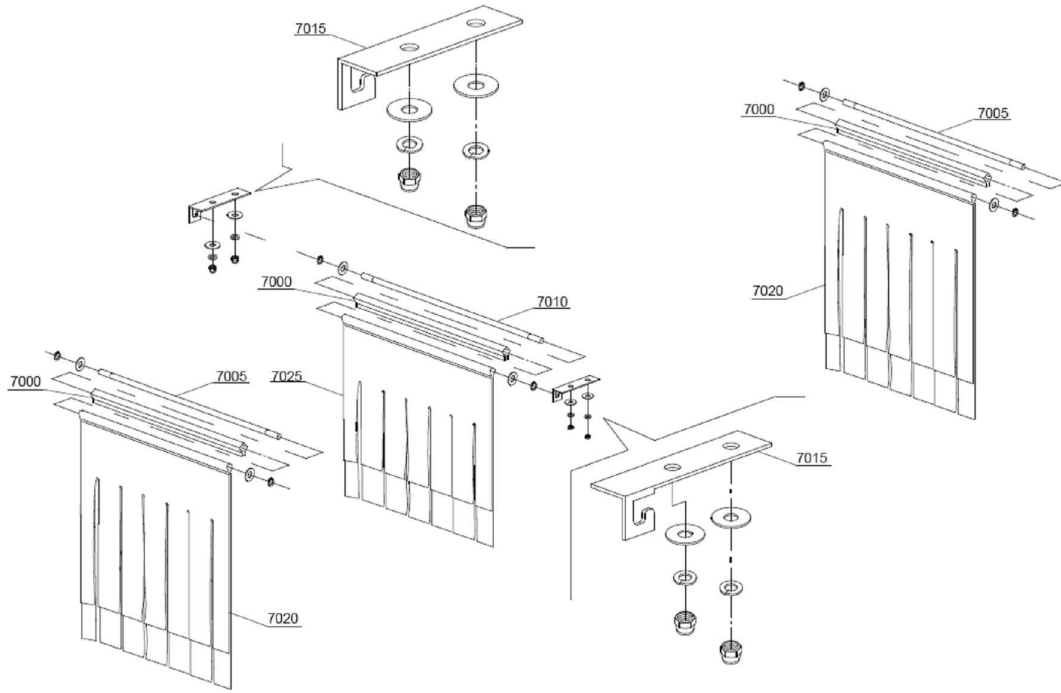


VALIDO PER VERSIONI DX E SX
VALID FOR EITHER RIGHT OR LEFT VERSION
VALABLE POUR VERSION DROITE ET GAUCHE

Зип Ощепит

vsezip.ru

+7(812)987-08-81

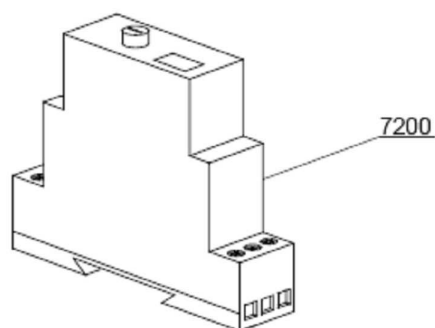
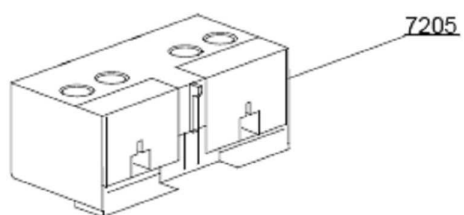


03_201_e

Зип Общепит

vsezip.ru

+7(812)987-08-81

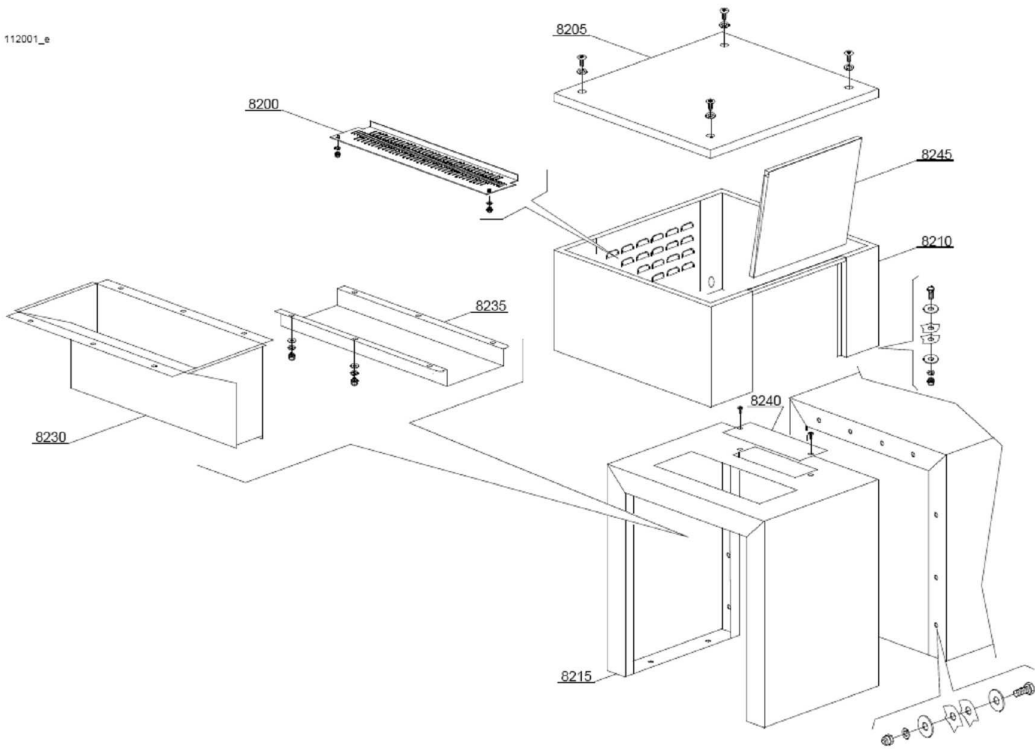


Зип Ощепит

vsezip.ru

+7(812)987-08-81

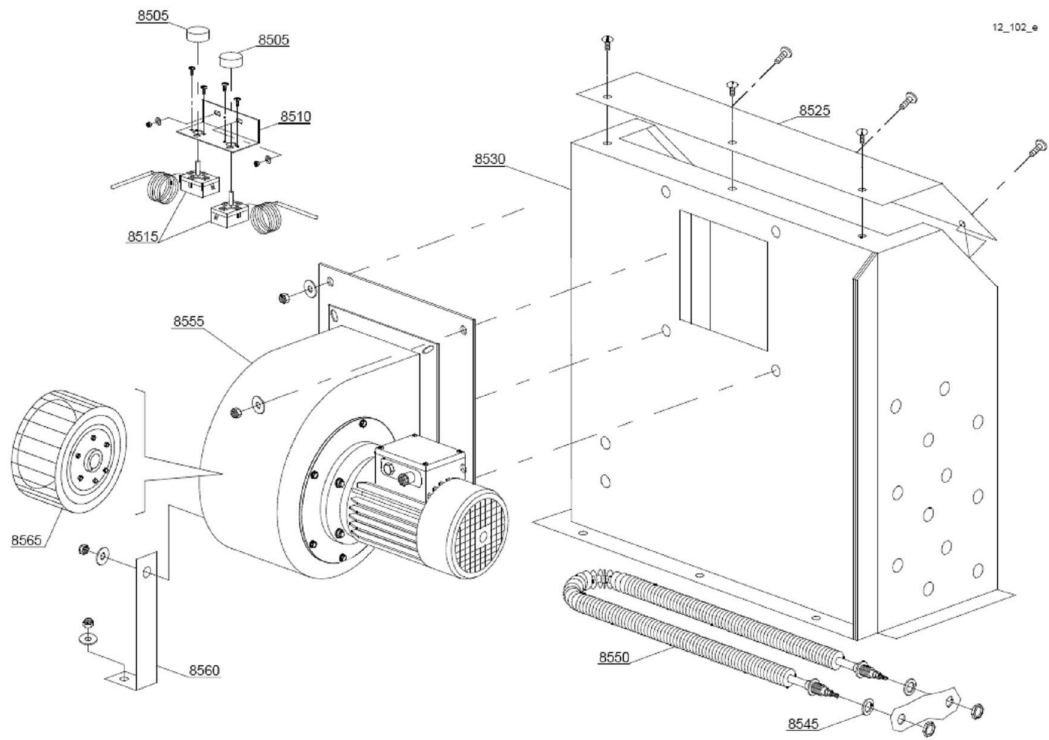
112001_e



Зип Общепит

vsezip.ru

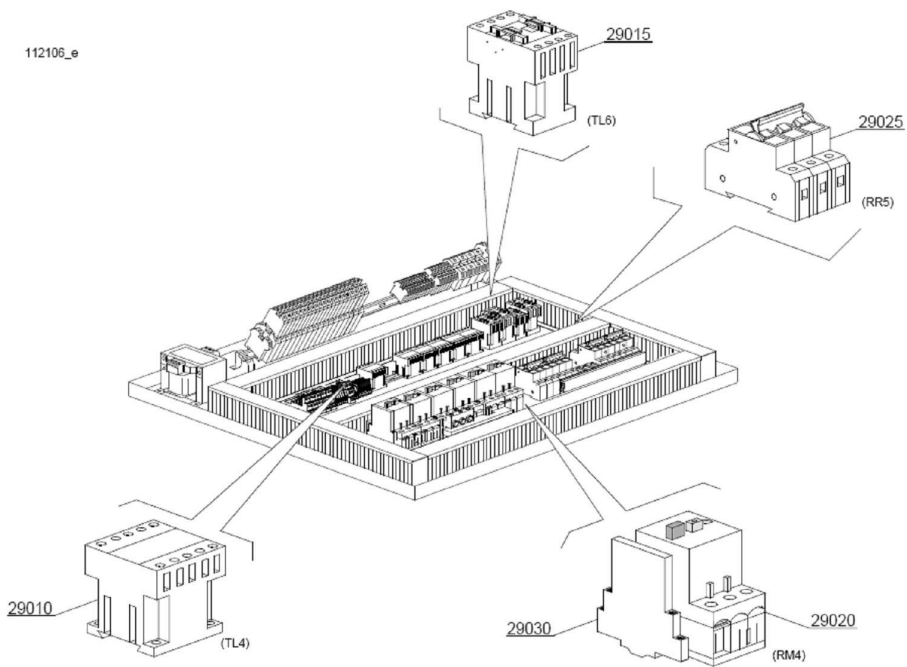
+7(812)987-08-81

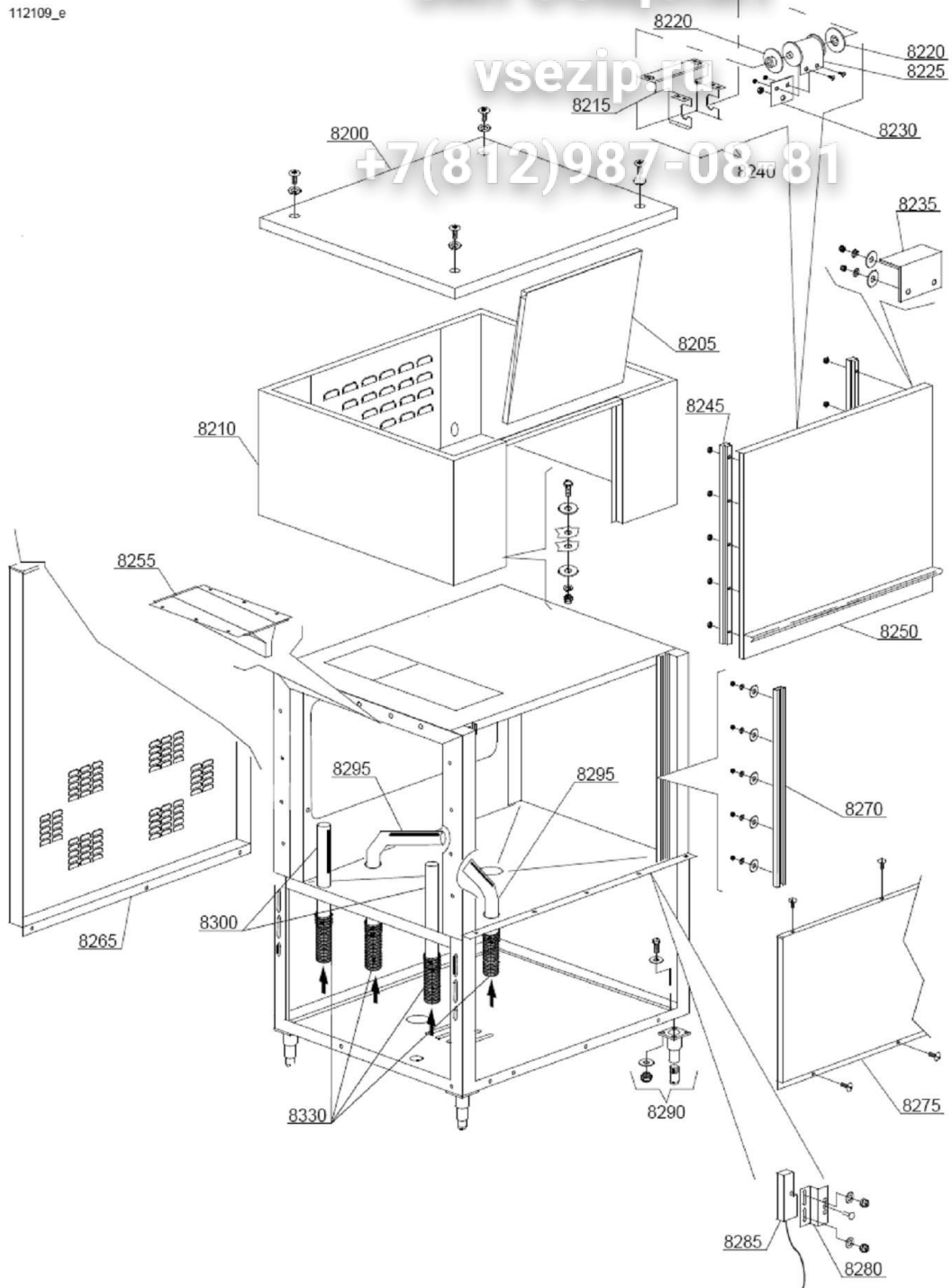


Зип Общепит

vsezip.ru

+7(812)987-08-81



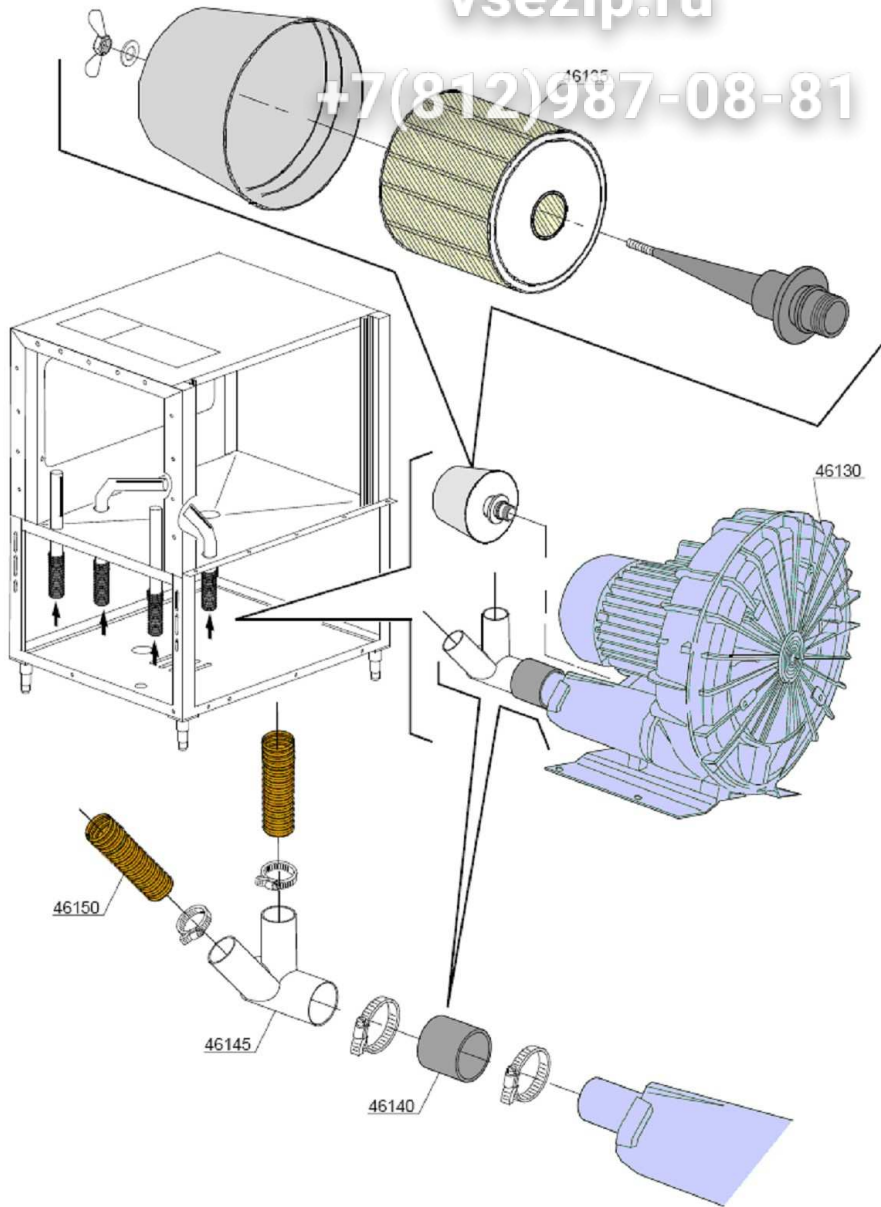


Зип Ощепит

vsezip.ru

112109ae

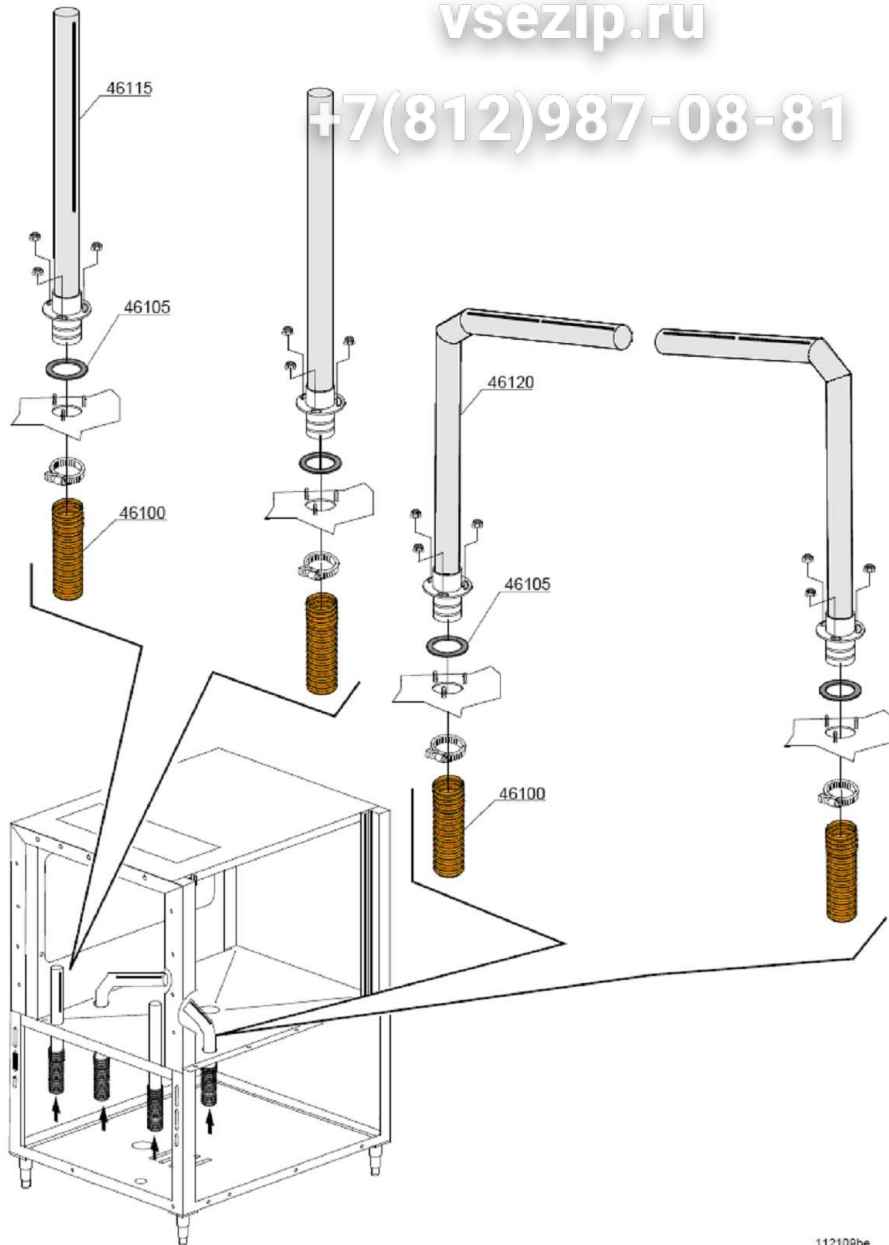
+7(812)987-08-81



Зип Общепит

vsezip.ru

+7(812)987-08-81

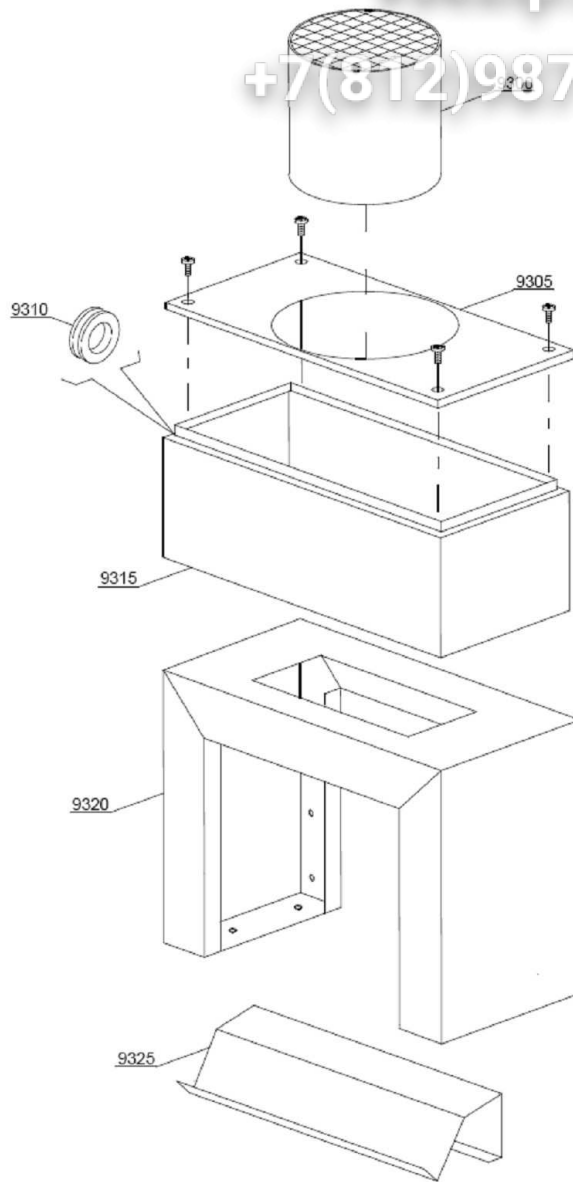


112109be

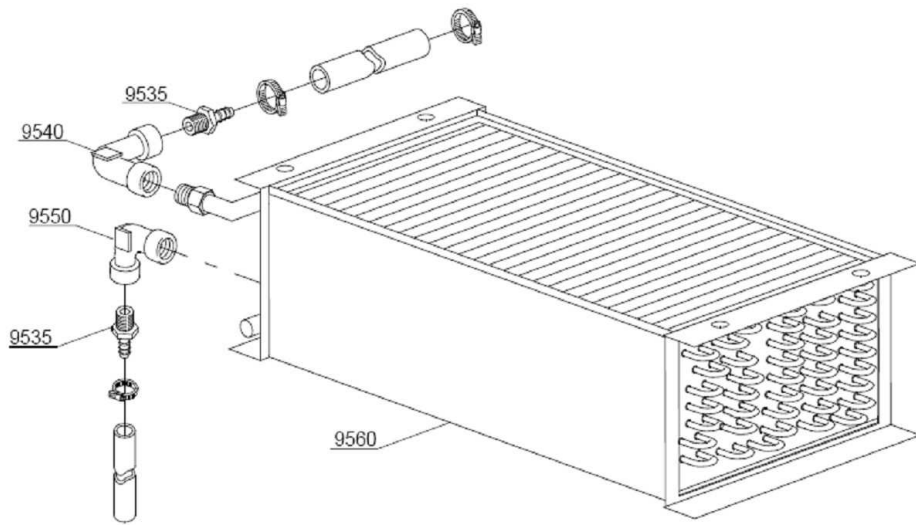
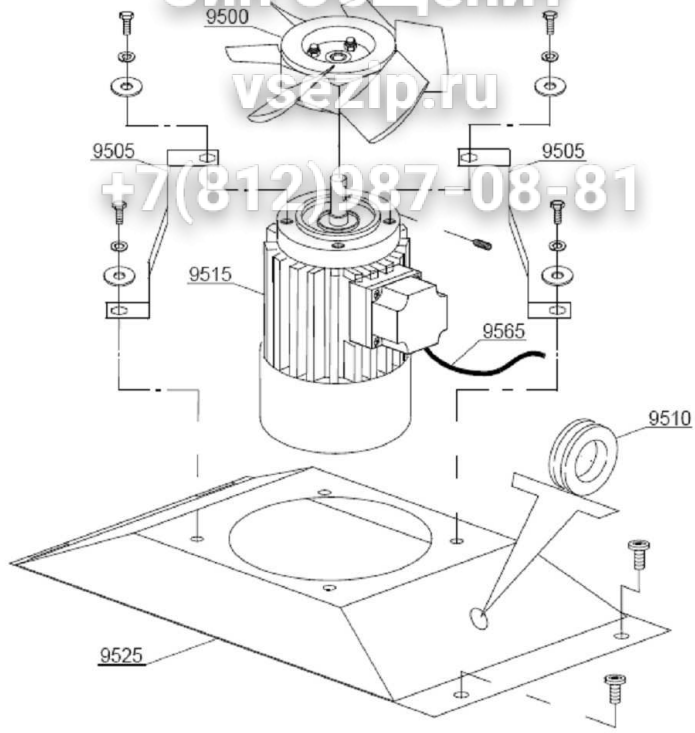
Зип Общепит

vsezip.ru

+7(812)987-08-81



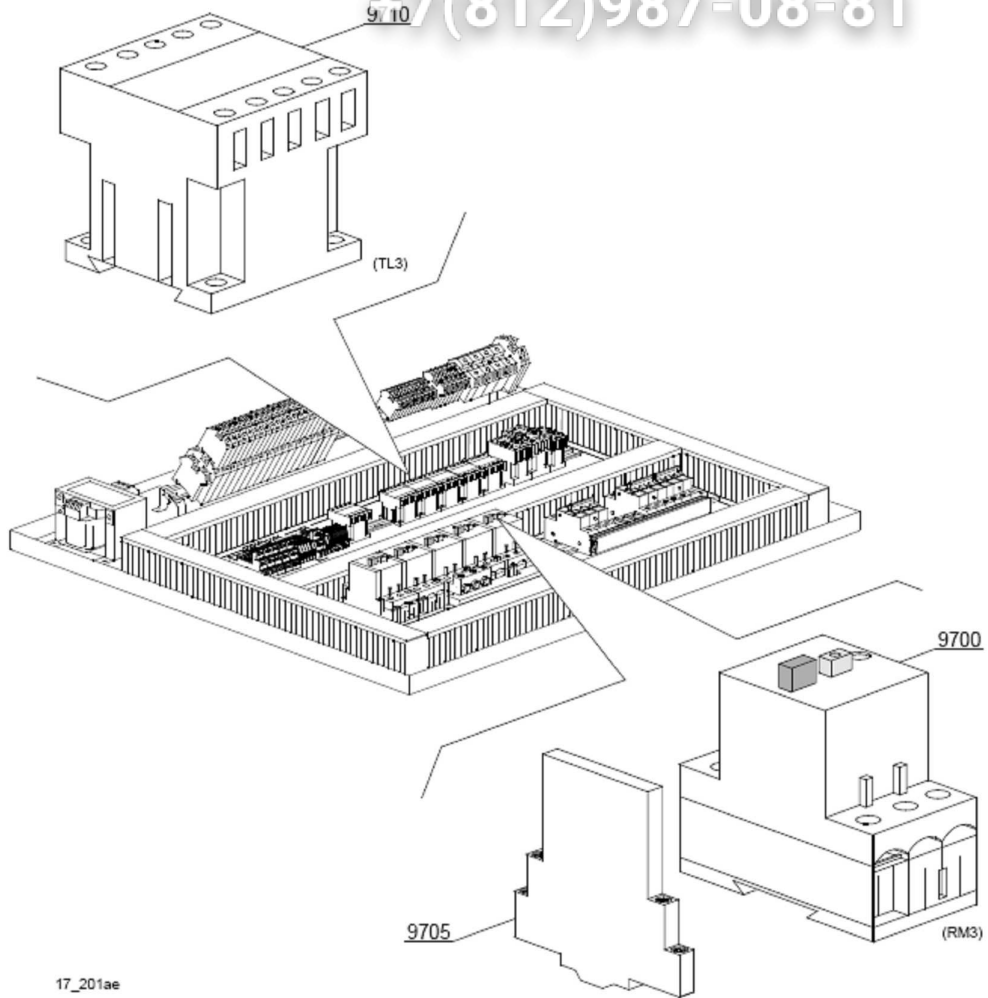
17_001ae



Зип Общепит

vsezip.ru

+7(812)987-08-81



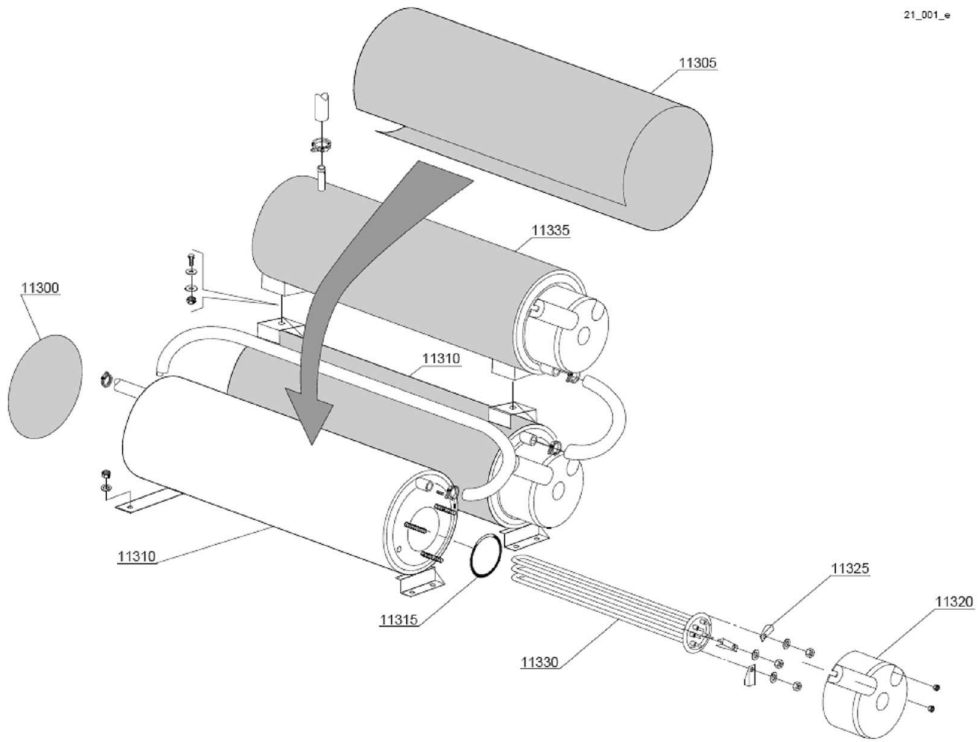
17_201ae

Зип Общепит

vsezip.ru

+7(812)987-08-81

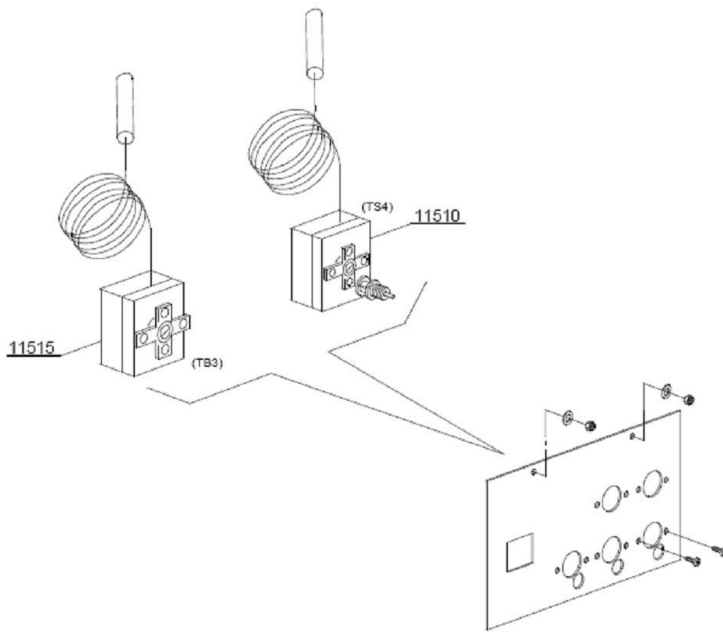
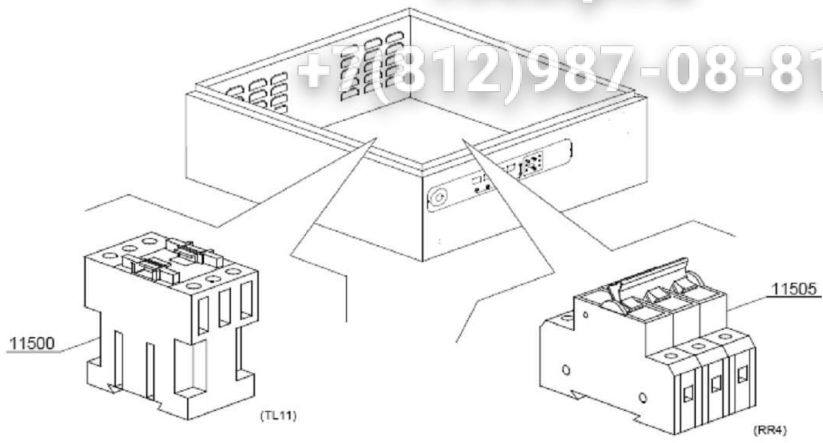
21_001_e



Зип Общепит

vsezip.ru

+7 (812) 987-08-81

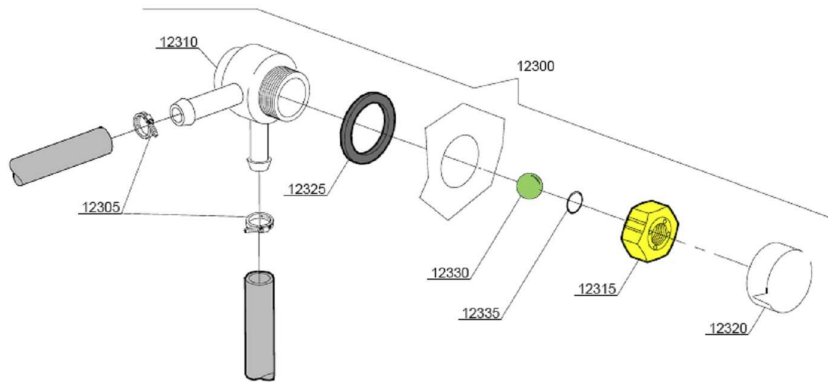


21_101_4

Зип Общепит

vsezip.ru

+7(812)987-08-81

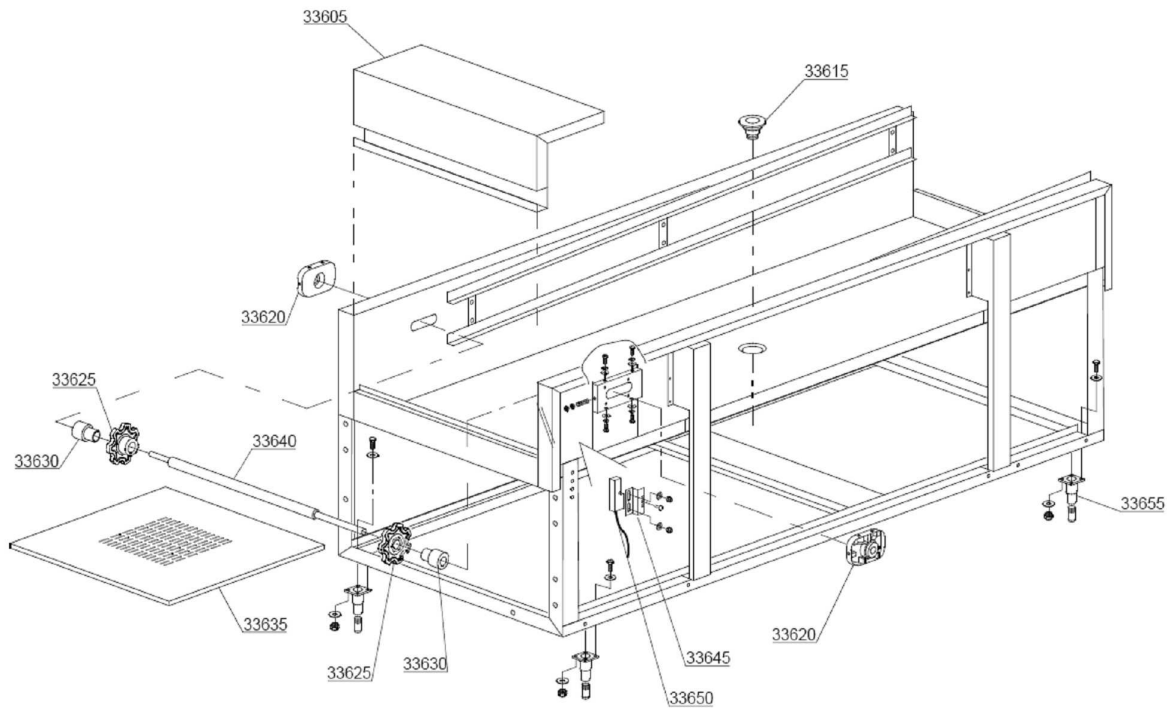


Зип Общепит

vsezip.ru

+7(812)987-08-81

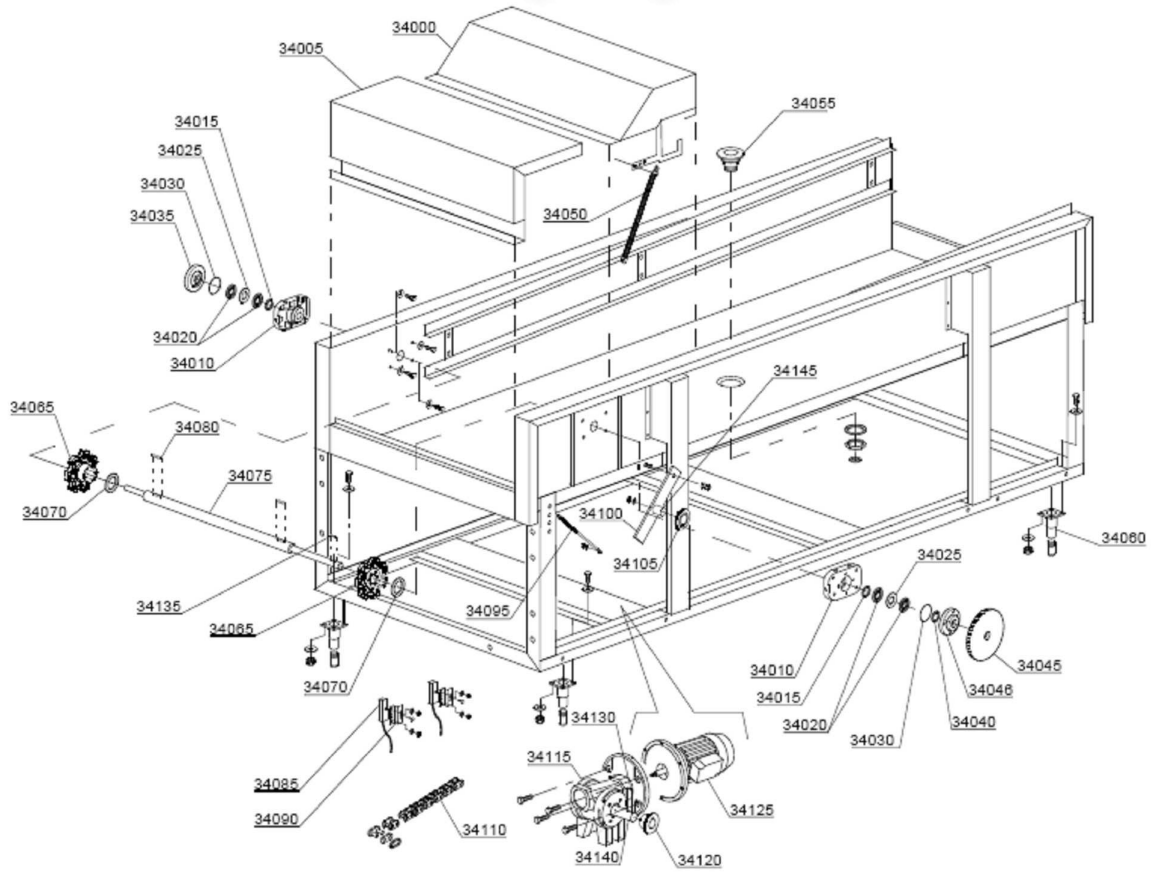
23_002_e



Зип Ощепит

vsezip.ru

+7(812)987-08-81

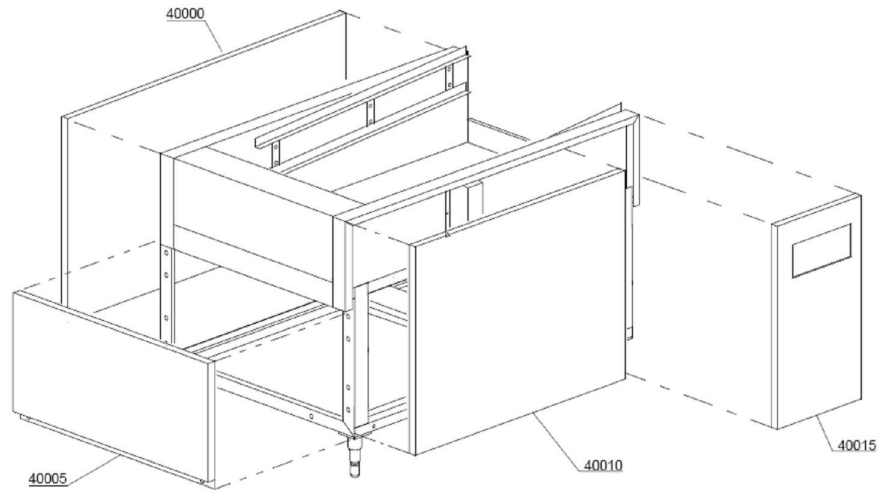


Зип Общепит

vsezip.ru

+7(812)987-08-81

23_004_e

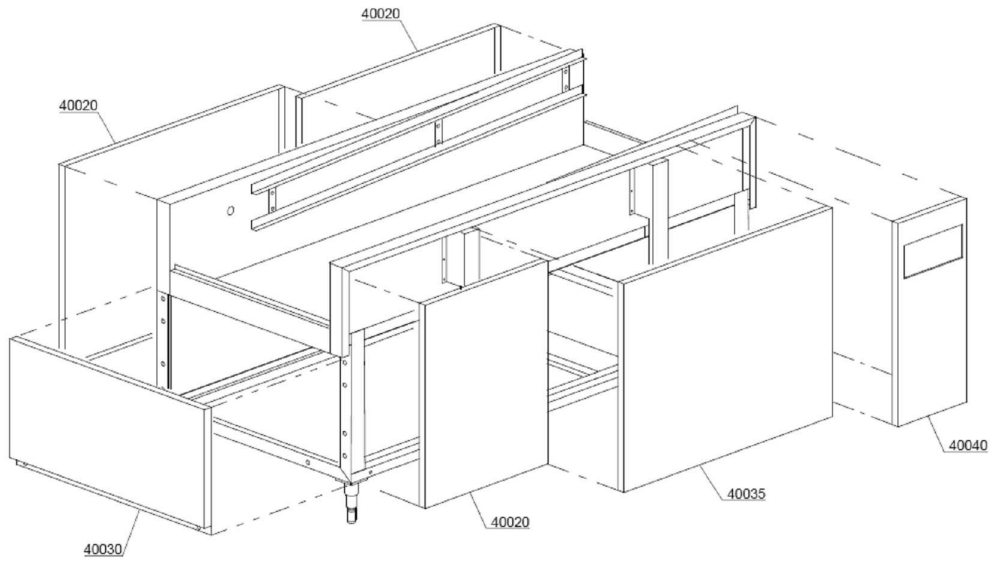


Зип Общепит

vsezip.ru

+7(812)987-08-81

23_005_e

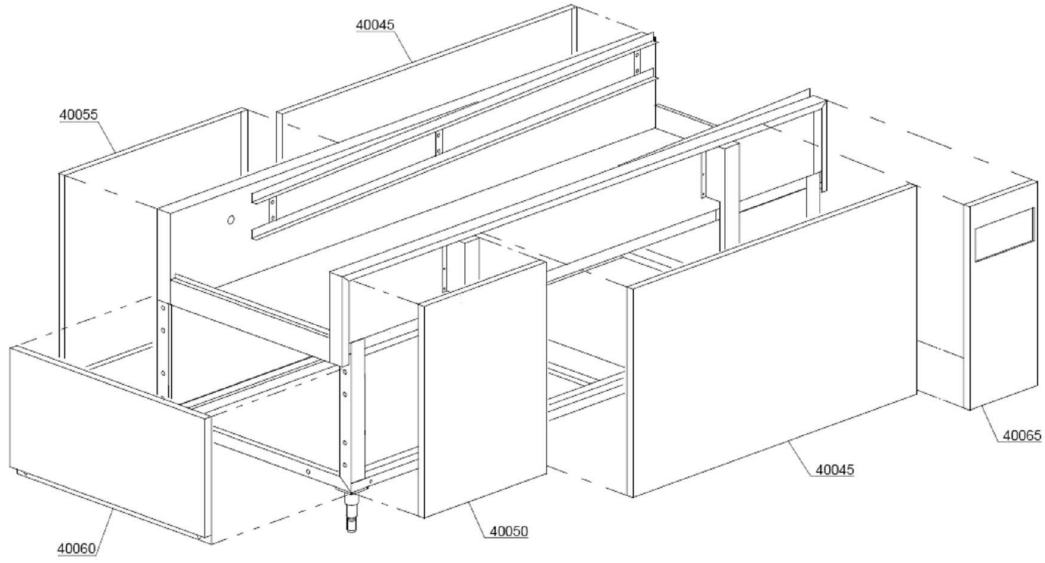


Зип Общепит

vsezip.ru

+7(812)987-08-81

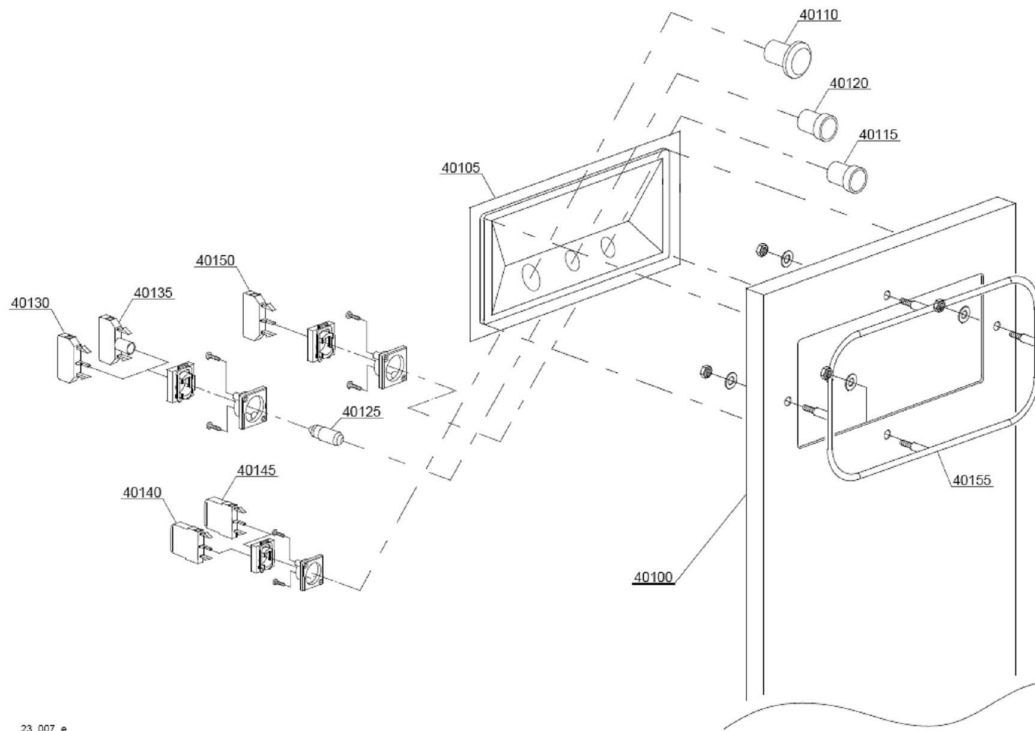
23_000_e



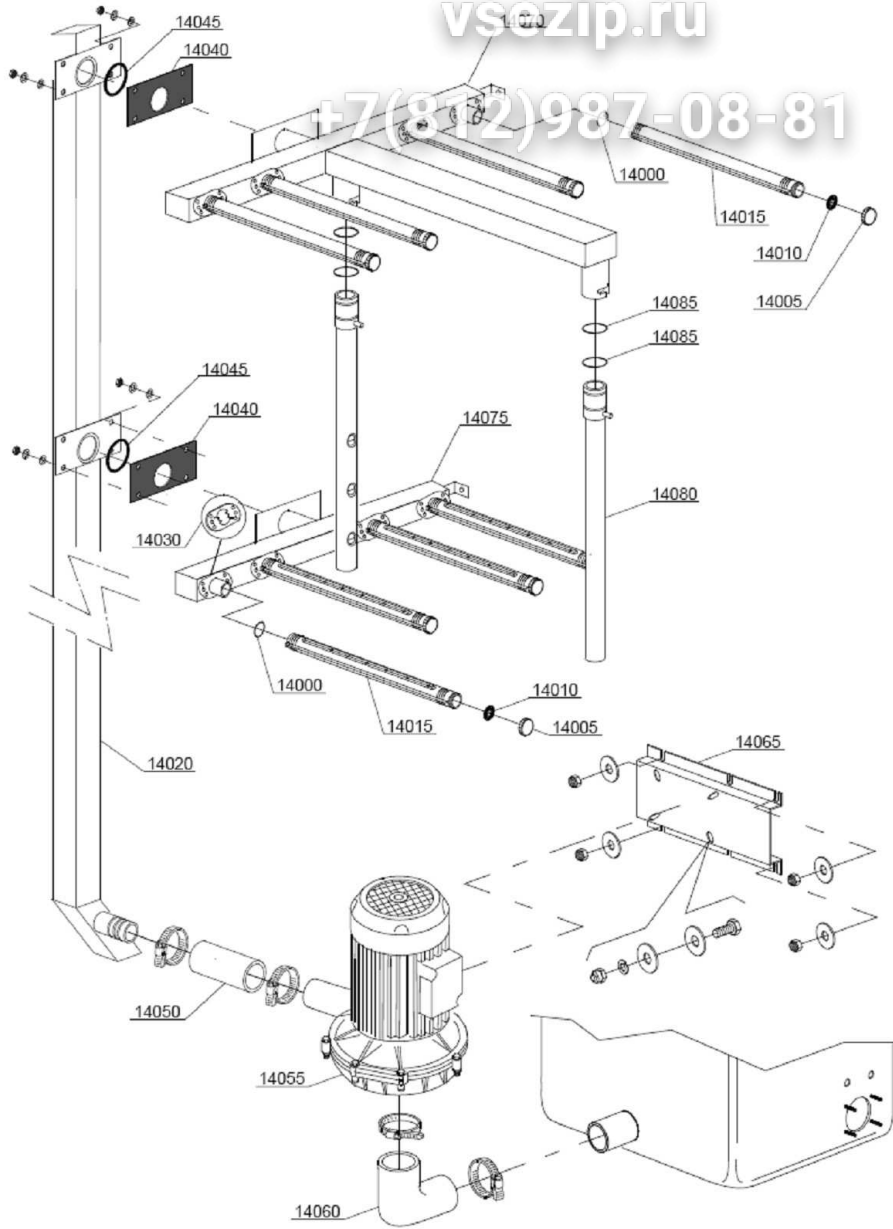
Зип Общепит

vsezip.ru

+7(812)987-08-81



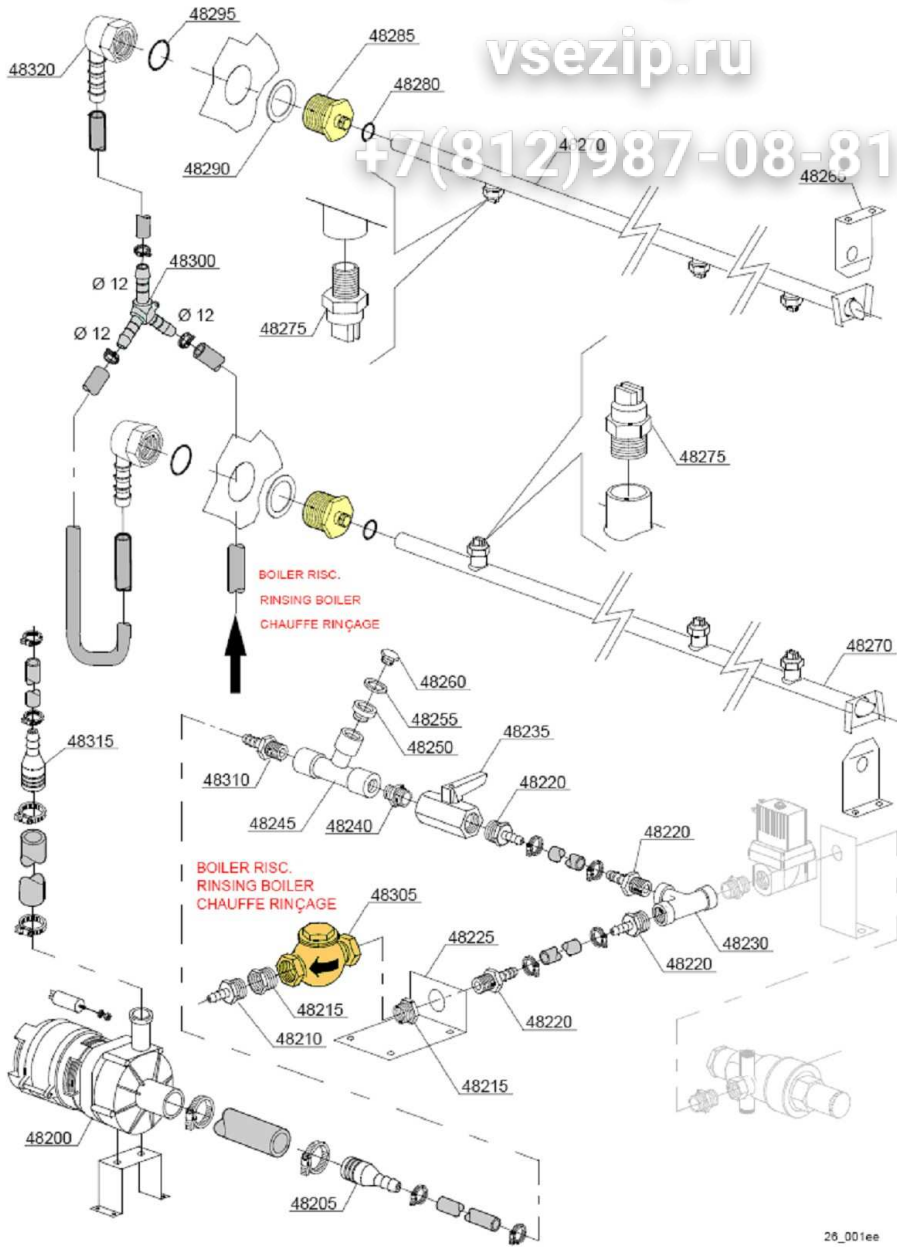
23_007_e



Зип Ощепит

vsezip.ru

+7(812)987-08-81

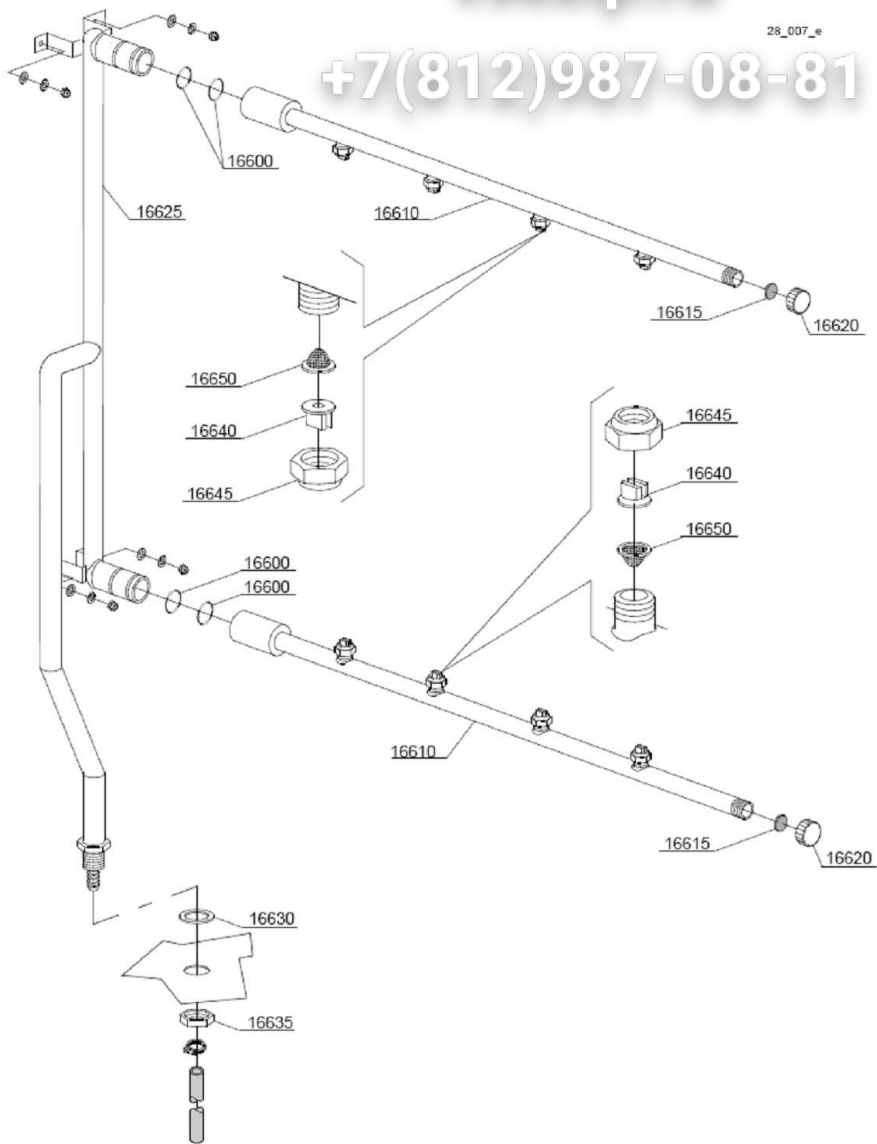


Зип Общепит

vsezip.ru

+7(812)987-08-81

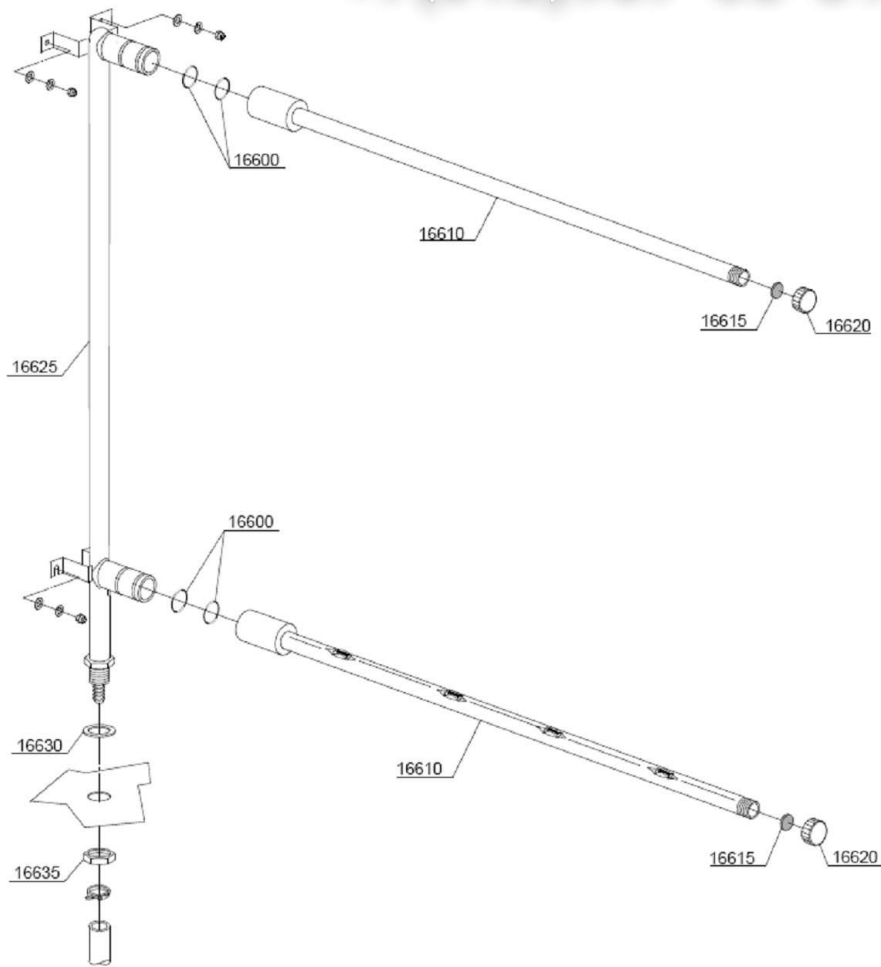
28_007_e



Зип Ощепит

vsezip.ru

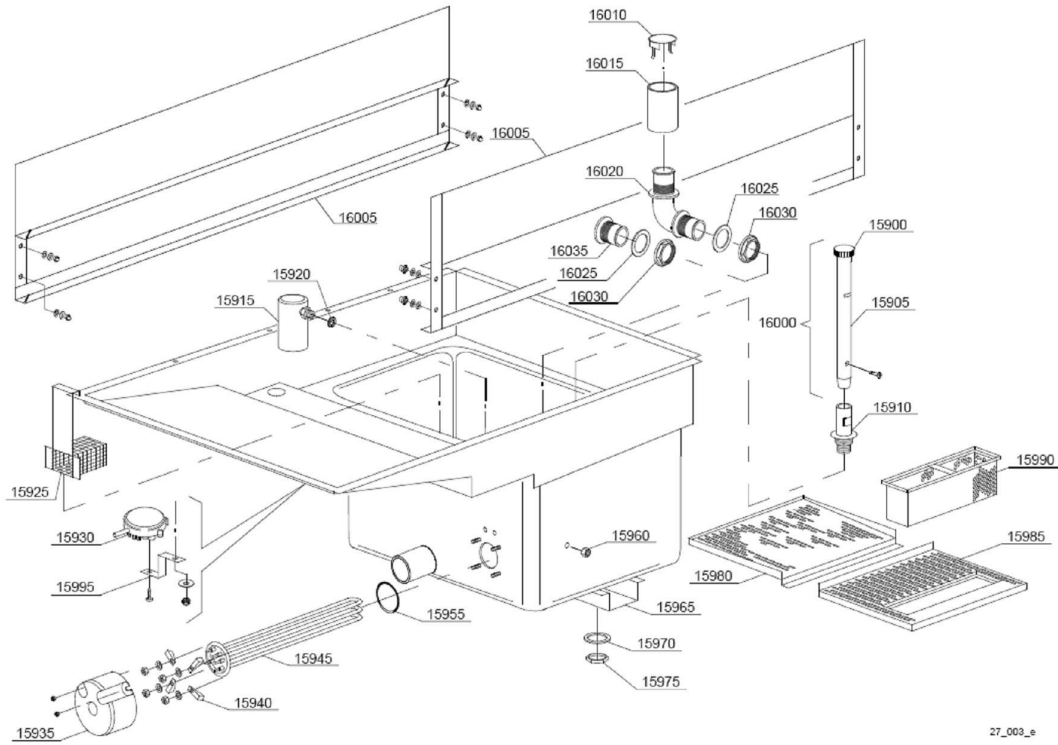
+7(812)987-08-81



Зип Общепит

vsezip.ru

+7(812)987-08-81

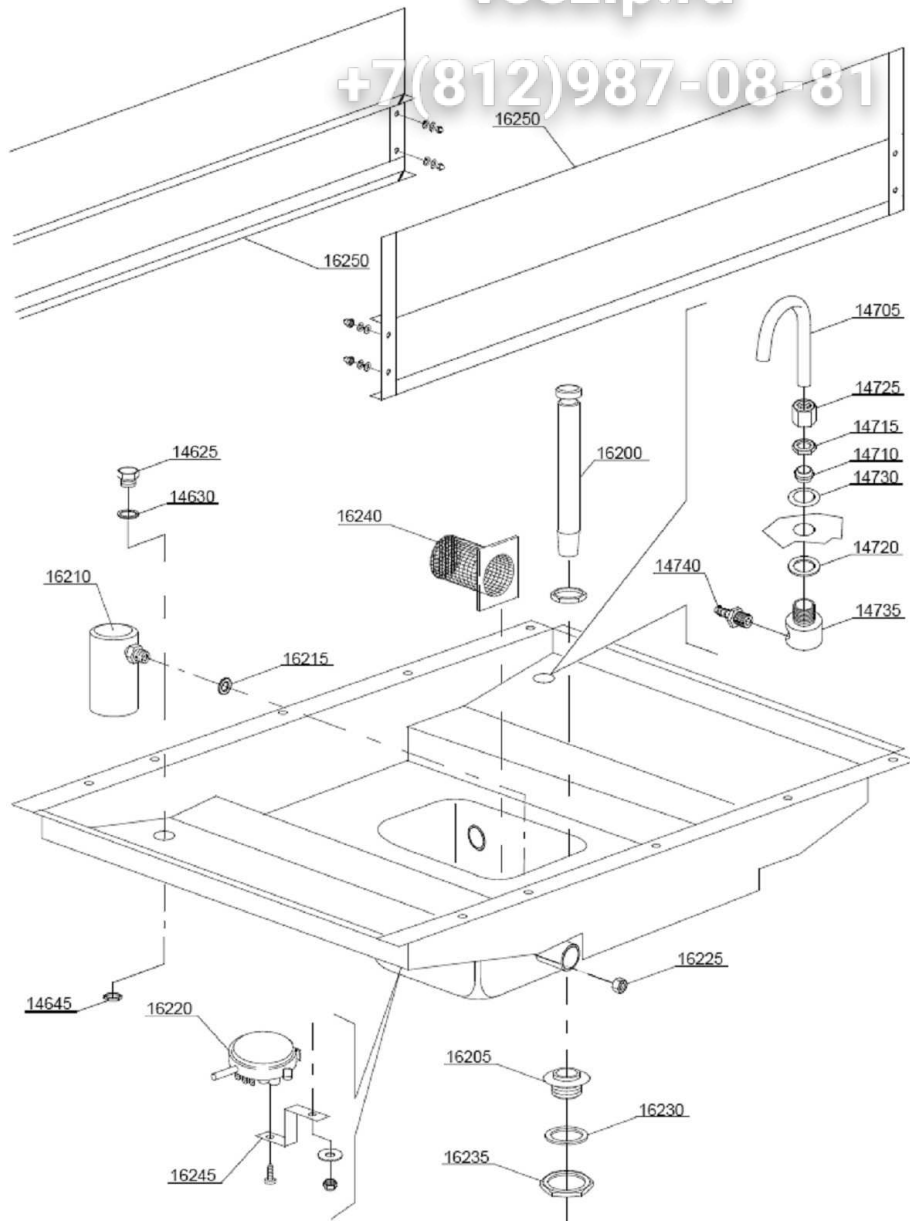


27_003_e

Зип Общепит

vsezip.ru

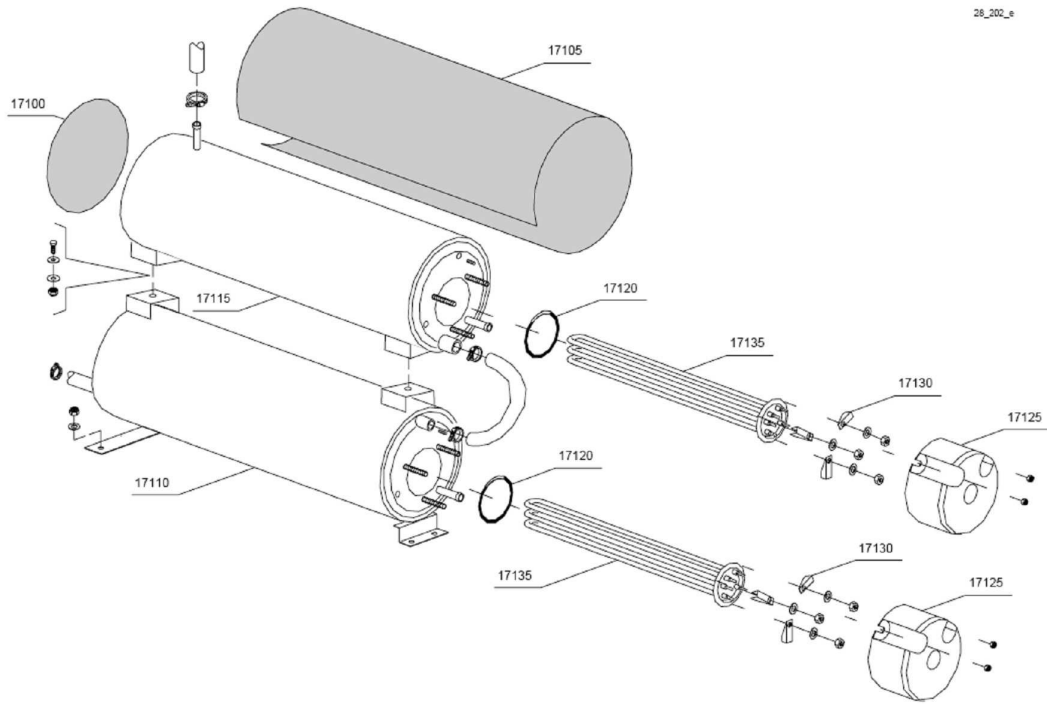
+7(812)987-08-81



Зип Общепит

vsezip.ru

+7(812)987-08-81

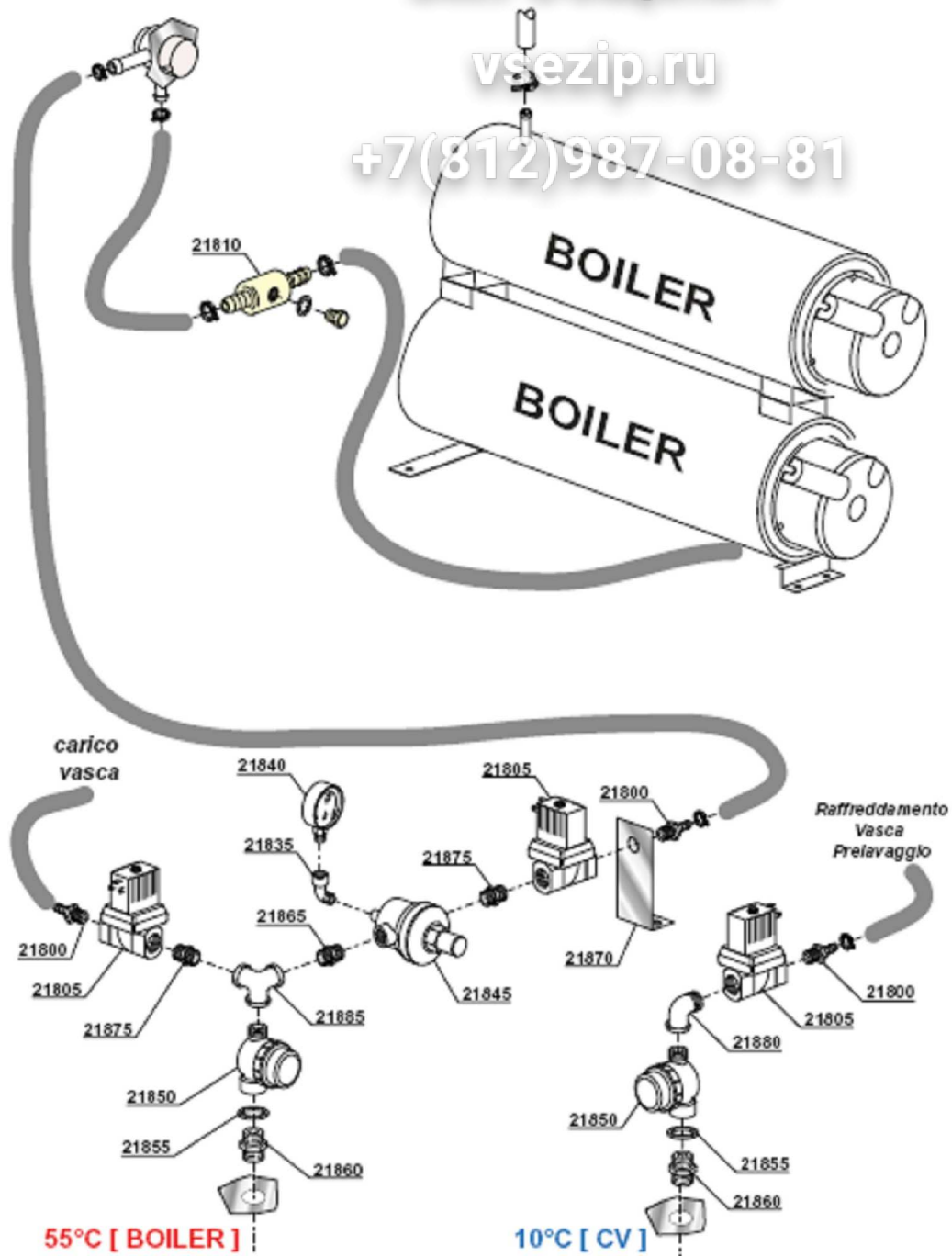


28_202_e

Зип Общепит

vsezip.ru

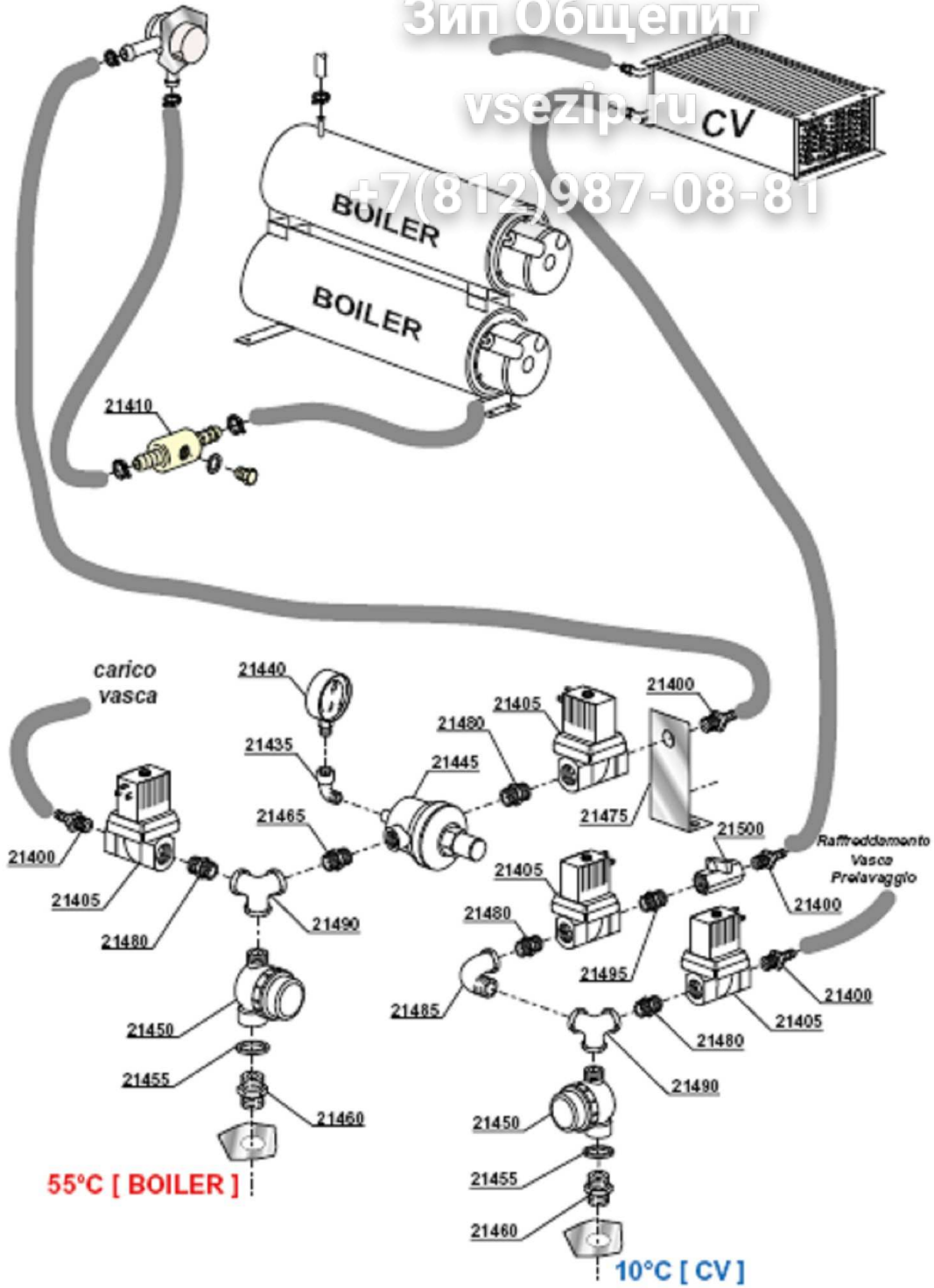
+7(812)987-08-81



Зип Общепит

vsezip.ru

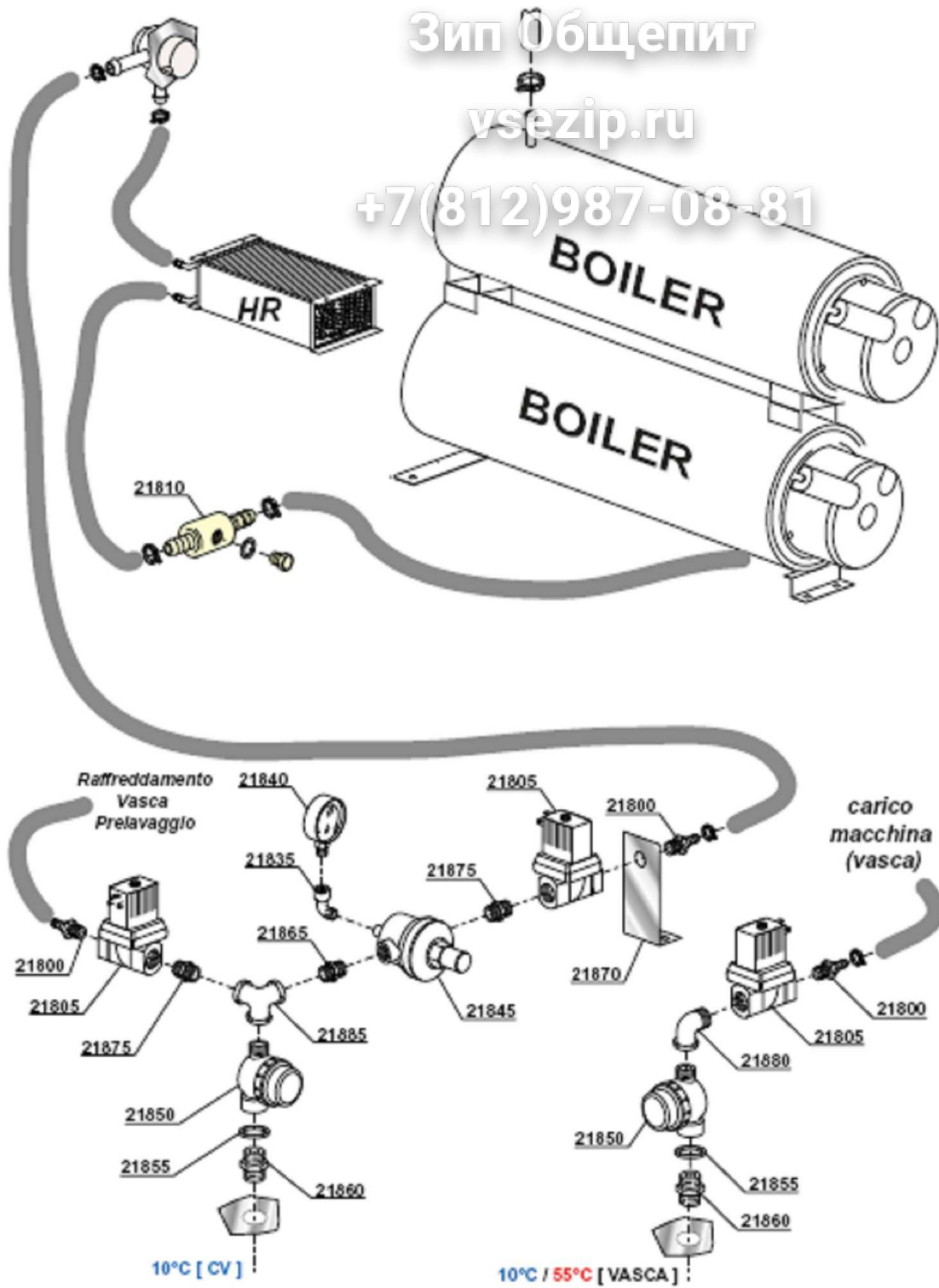
+7(812)987-08-81



Зип ОщепИТ

vsezip.ru

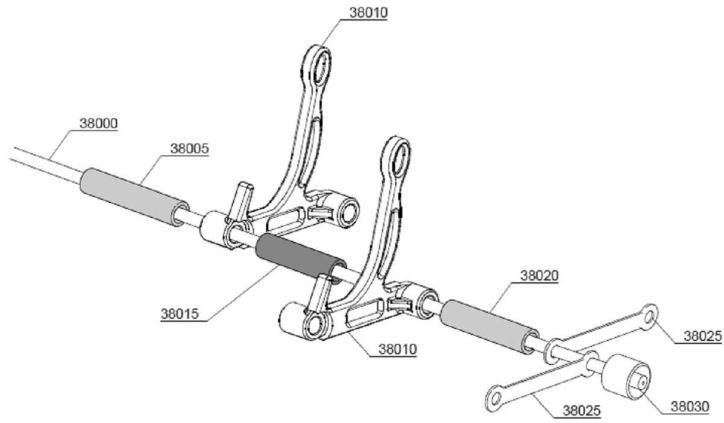
+7(812)987-08-81



Зип Общепит

vsezip.ru

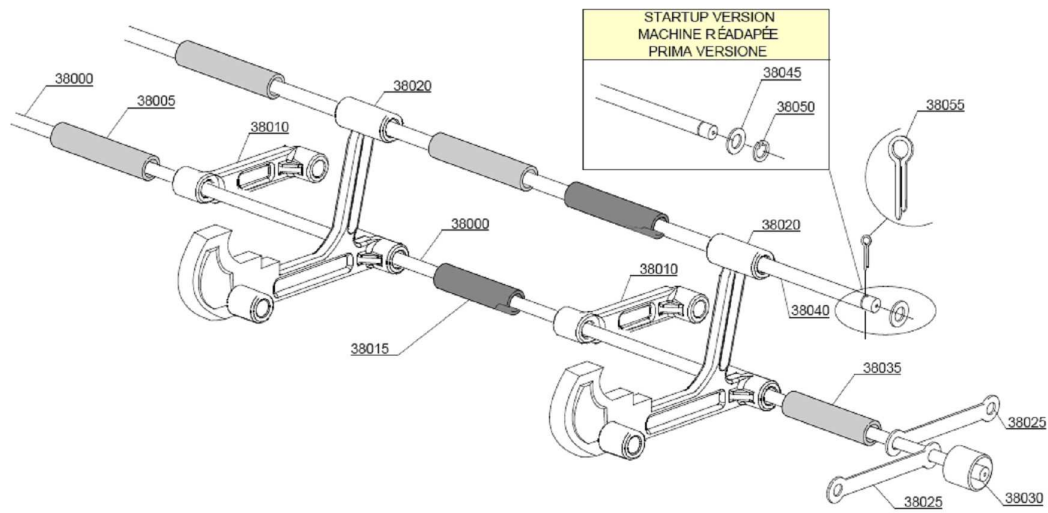
+7(812)987-08-81



Зип Общепит

vsezip.ru

+7(812)987-08-81



Зип Общепит

vsezip.ru

+7(812)987-08-81



Зип Общепит

vsezip.ru

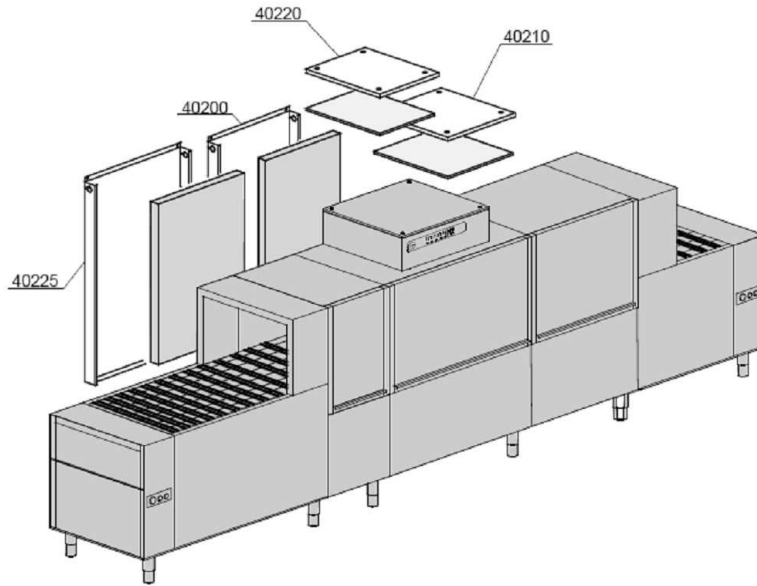
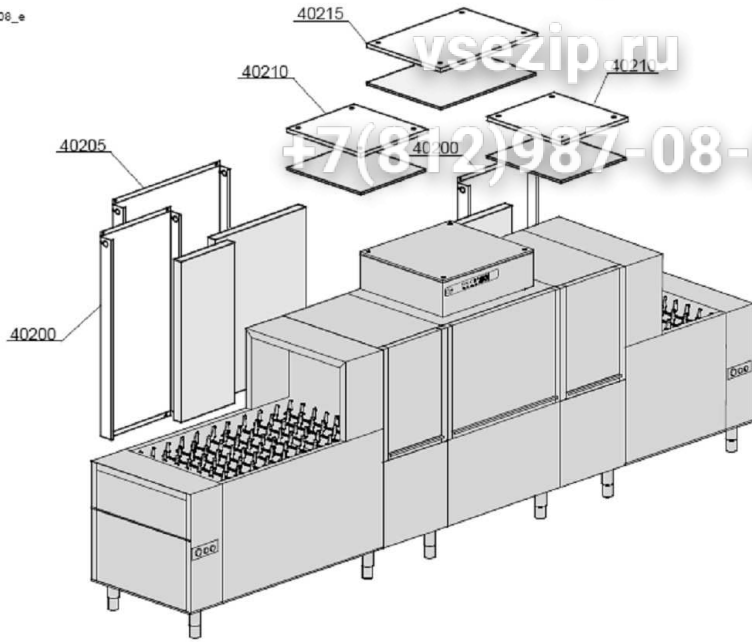
+7(812)987-08-81



37_008_e

vsezip.ru

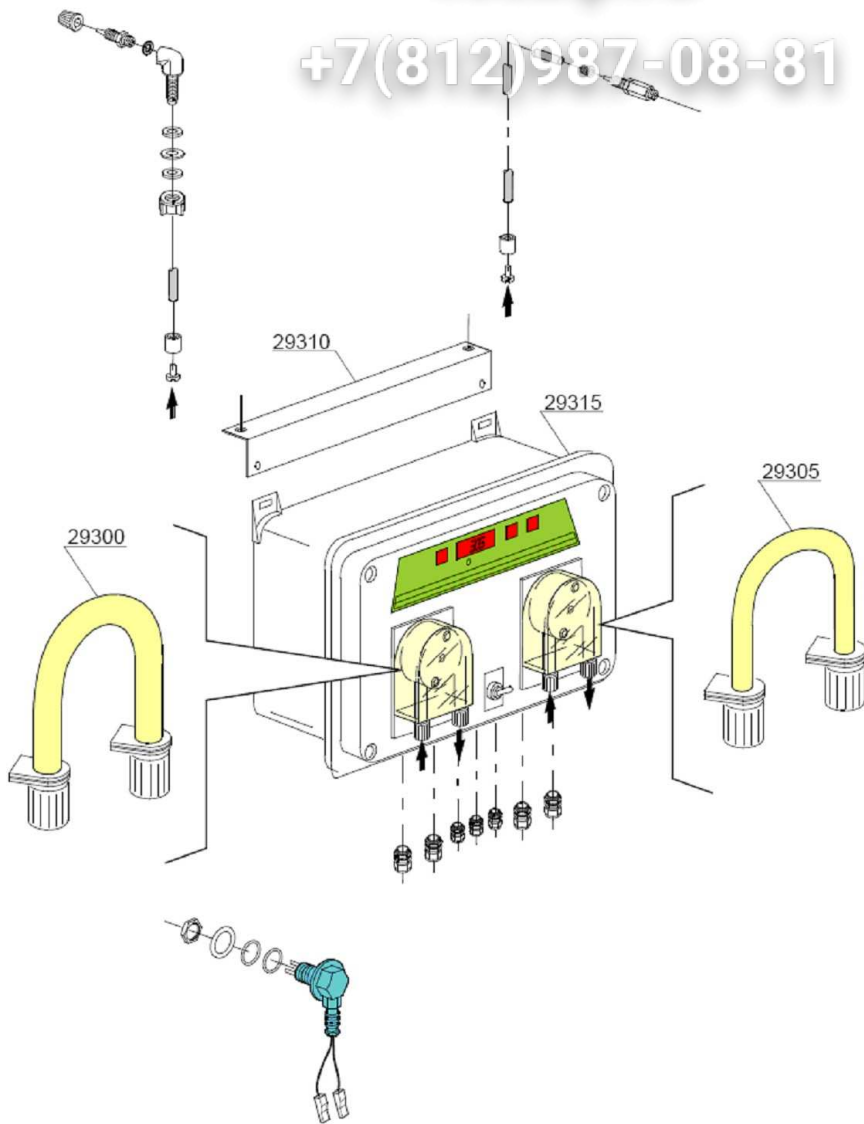
+7(812)987-08-81



Зип Общепит

vsezip.ru

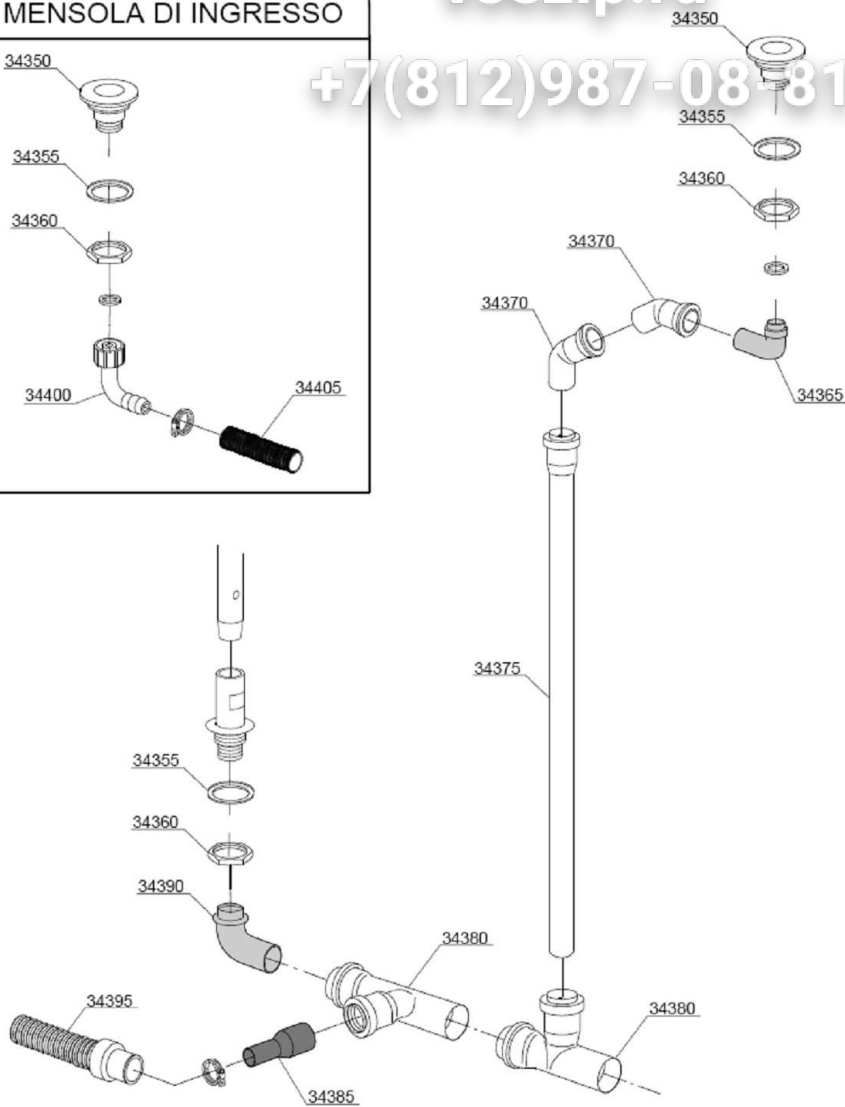
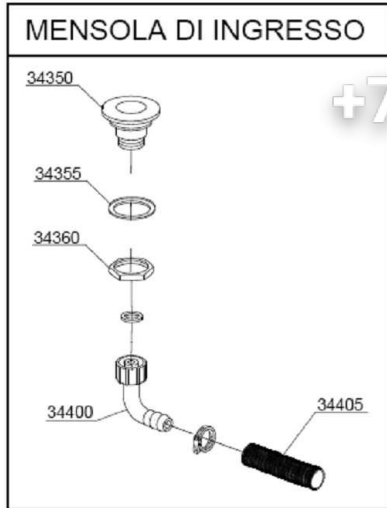
+7(812)987-08-81



Зип Общепит

vsezip.ru

+7(812)987-08-81

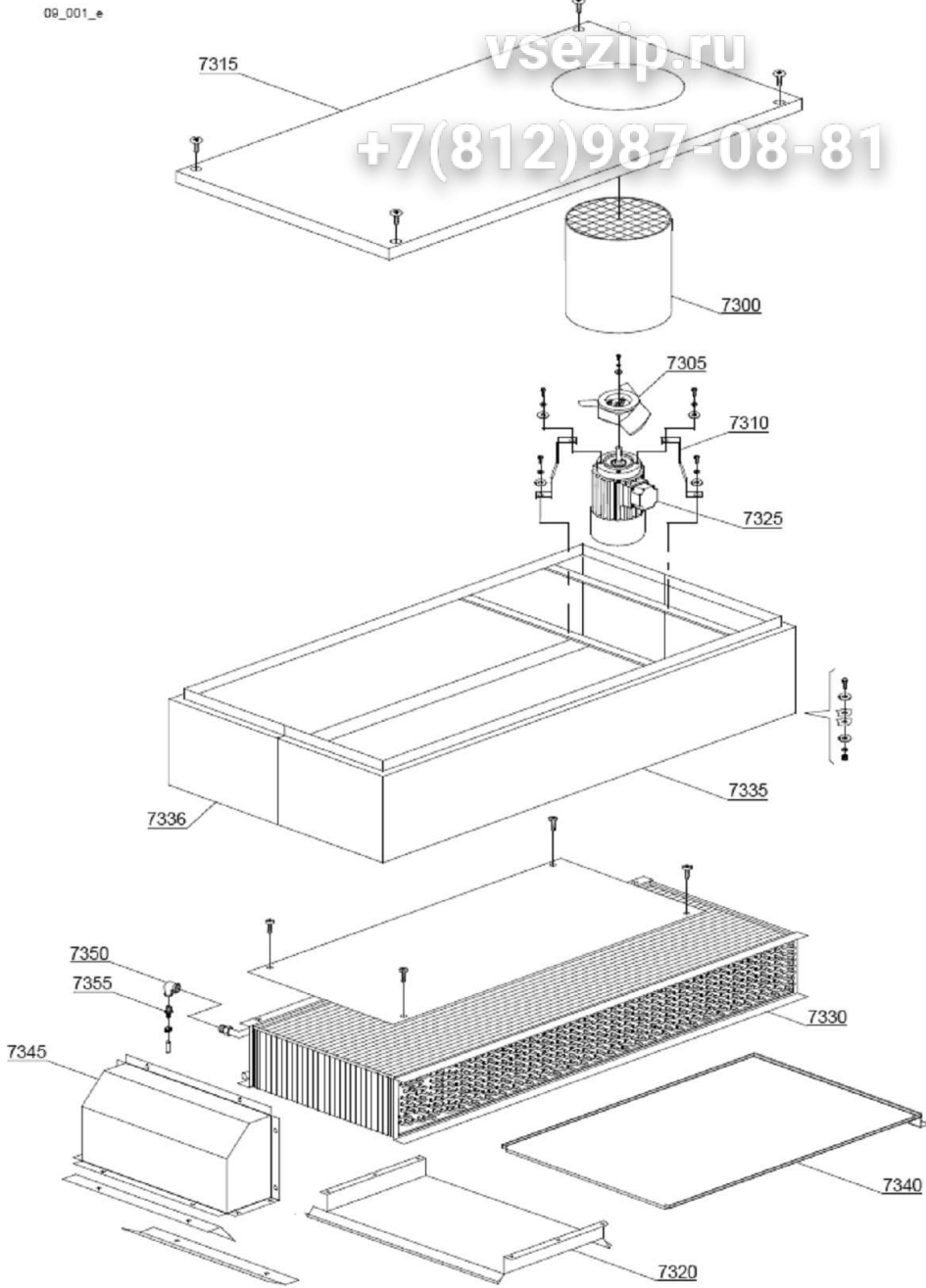


MENSOLA DI USCITA

Зип Общепит

vsezip.ru

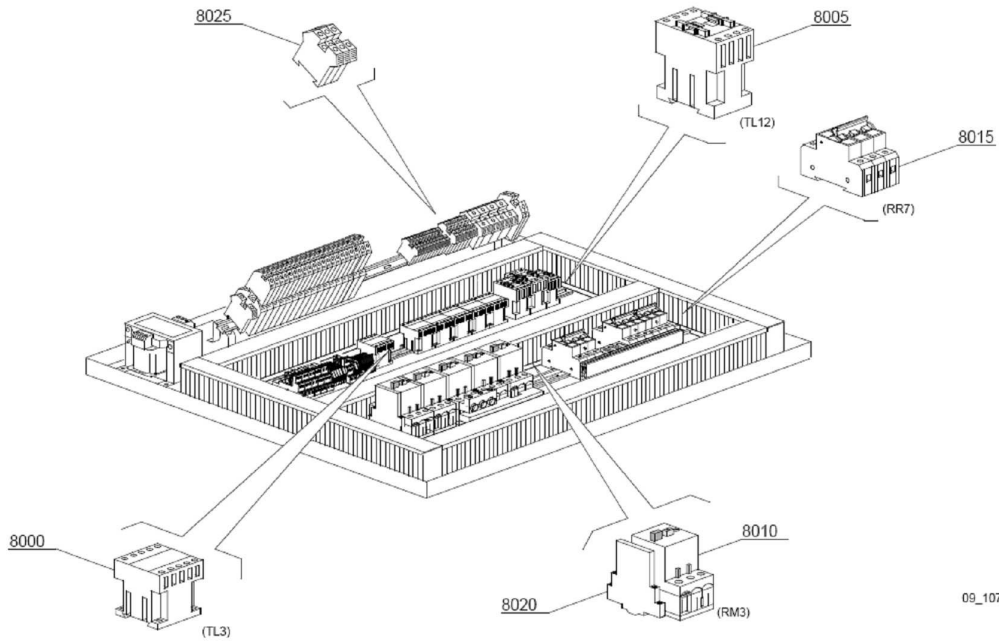
+7(812)987-08-81



Зип Общепит

vsezip.ru

+7(812)987-08-81

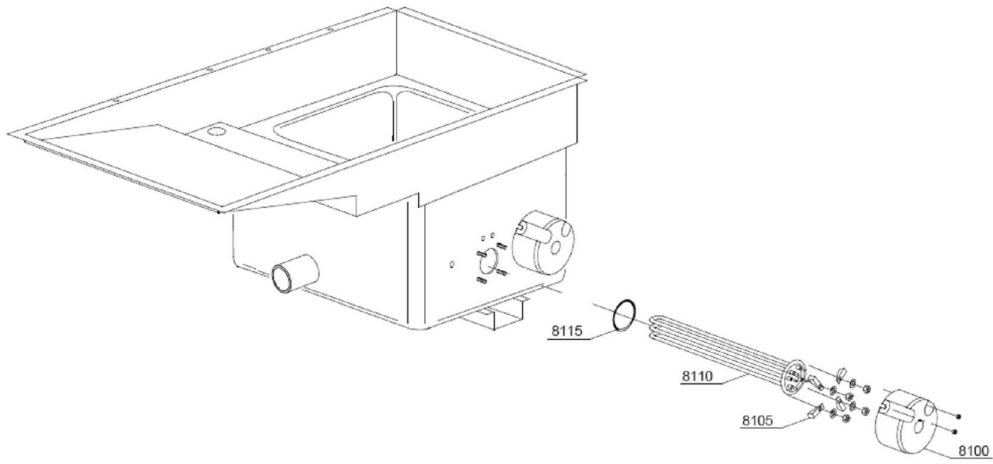


09_107_e

Зип Ощепит

vsezip.ru

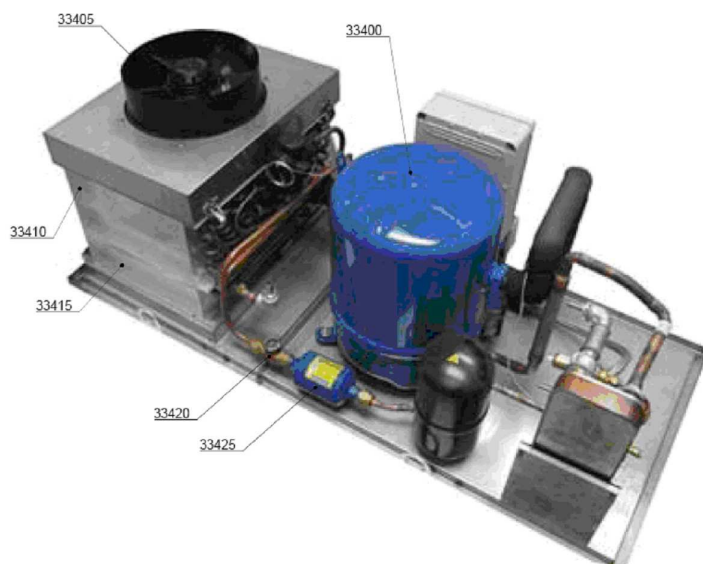
+7(812)987-08-81



Зип Общепит

vsezip.ru

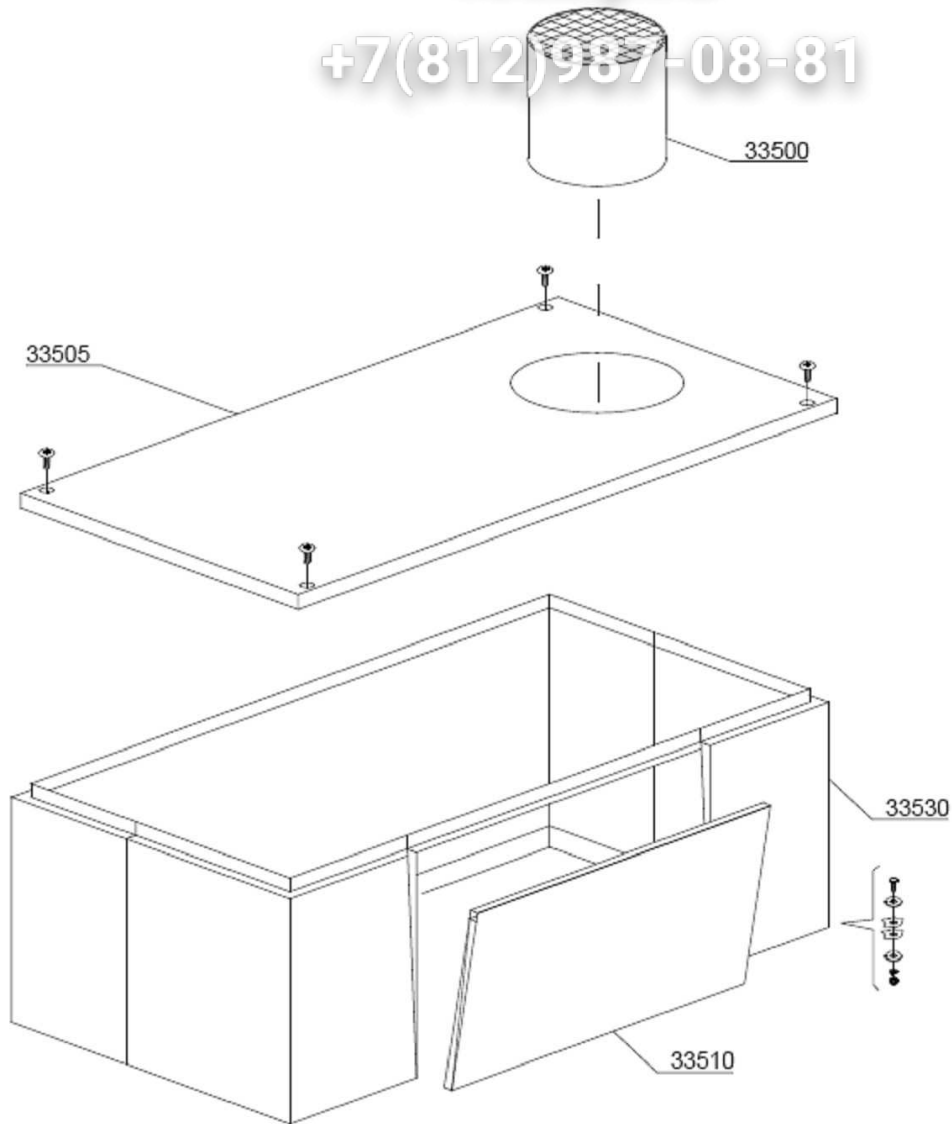
+7(812)987-08-81



Зип Общепит

vsezip.ru

+7(812)987-08-81

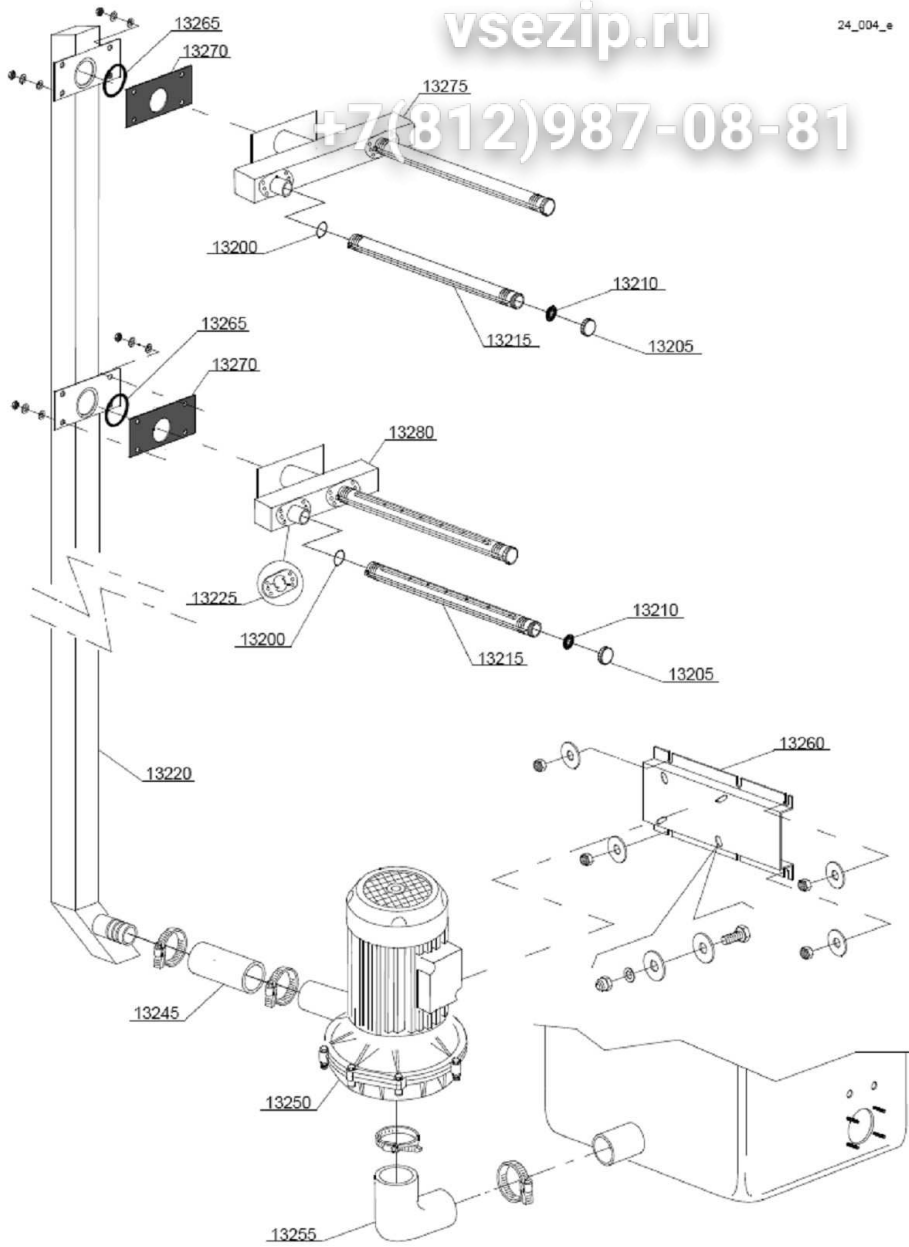


Зип Общепит

vsezip.ru

24_004_e

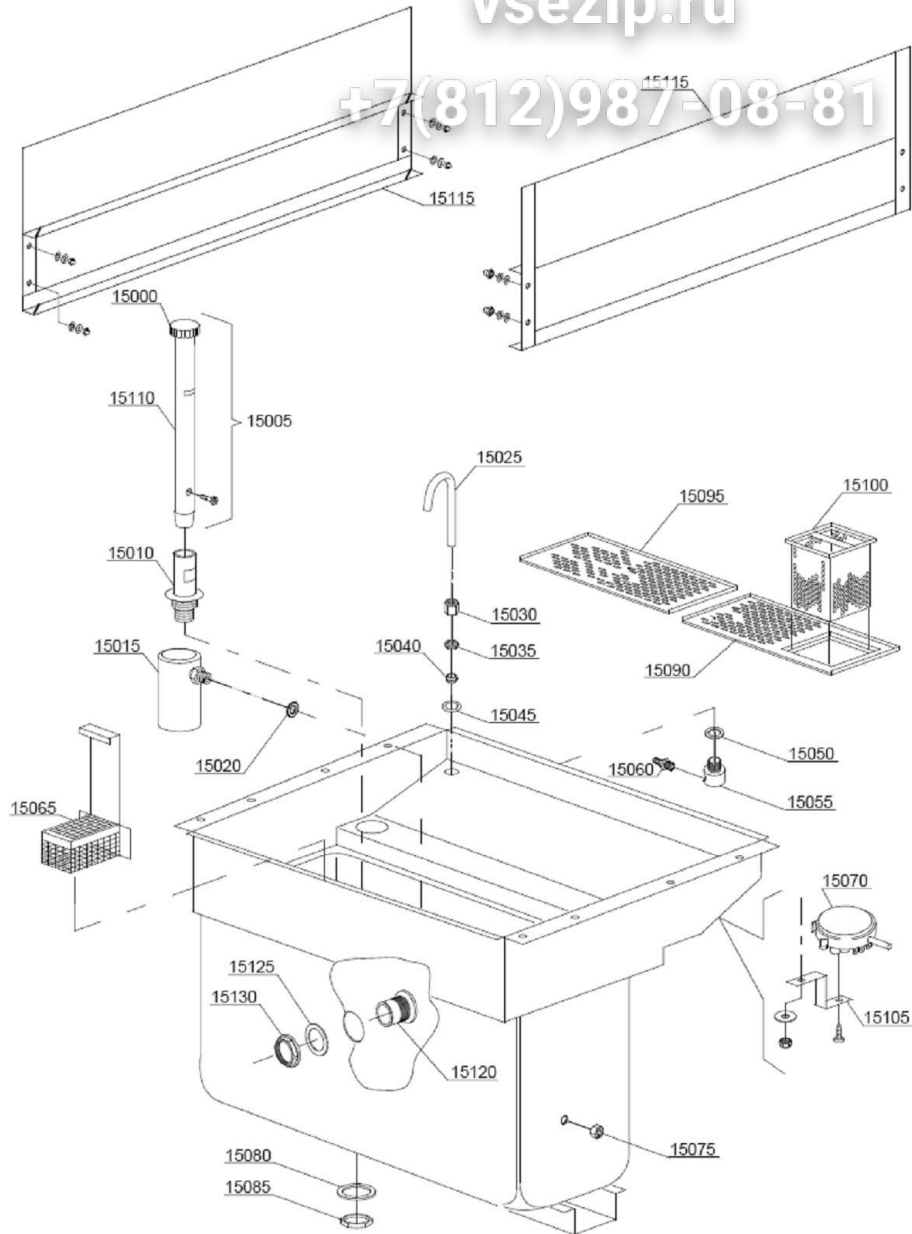
+7(812)987-08-81



Зип Ощепит

vsezip.ru

+7(812)987-08-81



27_004_e

Page	Pos	Code	Description	Info
002	6305	N100S-Pos.6305	Spring support	01/03/2010-
002	6310	N100S-Pos.6310	Spring holder	01/03/2010-
002	6315	3270080	Spring clamping plate	01/03/2010-
002	6320	3236420	SPRING	01/03/2010-
002	6325	N100S-Pos.6325	Door stop	01/03/2010-
002	6330	N100S-Pos.6330	Door assembly	01/03/2010-
002	6335	N100S-Pos.6335	Door guide	01/03/2010-
002	6345	N100S-Pos.6345	Rear panel	01/03/2010-
002	6360	N100S-Pos.6360	Front cover	01/03/2010-
002	6365	N100S-Pos.6365	Support microswitch	01/03/2010-
002	6370	3176160	Door microswitch	01/03/2010-
002	6375	N100S-Pos.6375	Foot	01/03/2010-
002	6380	N100S-Pos.6380	Slideways	01/03/2010-
002	6385	N100S-Pos.6385	Spring assembly BBSR	01/03/2010-
003	6605	N100S-Pos.6605	Spring support	01/03/2010-
003	6610	N100S-Pos.6610	Spring holder	01/03/2010-
003	6615	3270080	Spring clamping plate	01/03/2010-
003	6620	N100S-Pos.6620	Door spring BBSR 23	01/03/2010-
003	6625	N100S-Pos.6625	Door stop	01/03/2010-
003	6630	N100S-Pos.6630	Door assembly	01/03/2010-
003	6635	N100S-Pos.6635	Door guide	01/03/2010-
003	6645	N100S-Pos.6645	Rear panel	01/03/2010-
003	6655	N100S-Pos.6655	Front cover right	01/03/2010-
003	6655	N100S-Pos.6655	Front cover left	01/03/2010-
003	6660	N100S-Pos.6660	Support microswitch	01/03/2010-
003	6665	3176160	Door microswitch	01/03/2010-
003	6670	N100S-Pos.6670	Foot	01/03/2010-
003	6675	N100S-Pos.6675	Slideways	01/03/2010-
004	5905	N100S-Pos.5905	Spring support	01/03/2010-
004	5910	N100S-Pos.5910	Spring holder	01/03/2010-
004	5915	3270080	Spring clamping plate	01/03/2010-
004	5920	N100S-Pos.5920	Door spring BBSR 23	01/03/2010-
004	5925	N100S-Pos.5925	Door stop	01/03/2010-
004	5930	N100S-Pos.5930	Door assembly	01/03/2010-
004	5935	N100S-Pos.5935	Door guide	01/03/2010-
004	5945	N100S-Pos.5945	Rear panel	01/03/2010-
004	5960	N100S-Pos.5960	Front cover right	01/03/2010-
004	5960	N100S-Pos.5960	Front cover left	01/03/2010-
004	5965	N100S-Pos.5965	Support microswitch	01/03/2010-
004	5970	3176160	Door microswitch	01/03/2010-
004	5975	N100S-Pos.5975	Foot	01/03/2010-
004	5980	N100S-Pos.5980	Slideways	01/03/2010-
005	33300	N100S-Pos.33300	Comand parts pannel L=1000	01/03/2010-
005	33300	N100S-Pos.33300	Comand parts pannel L=800	01/03/2010-
005	33305	3236430	Main board+Touche sensitive	01/03/2010-
005	33310	3201260	Emergency button	01/03/2010-
005	33315	3236160	2NO contact (green)	01/03/2010-
005	33320	3236150	2NC contact (red)	01/03/2010-
005	33325	32V7260	SAFETY THERMOSTAT	01/03/2010-
005	33330	32V7240	0-90°C thermostat	01/03/2010-
005	33335	32W4150	16A SWITCH ONLY	01/03/2010-

Page	Pos	Code	Description	Info
005	33340	32W4210	Switch assembly (PM2)	01/03/2010-
005	33345	N100S-Pos.33345	Assembly plate	01/03/2010-
005	33350	36U0860	Square grey single support	01/03/2010-
005	33355	33Q6440	Green-orange cam	01/03/2010-
005	33360	32W4260	Green ON-OFF key	01/03/2010-
005	33365	N100S-Pos.33365	4 display sickscreen processed grill	01/03/2010-
005	33365	N100S-Pos.33365	3 display sickscreen processed grill	01/03/2010-
005	33365	3236440	2 display sickscreen processed grill	01/03/2010-
005	33366	3236450	Termostat probe	01/03/2010-
005	33370	3236460	Extend probe termostat	01/03/2010-
006	28600	N100S-Pos.28600	5x20 10A Fuse	01/03/2010-
006	28605	3099150	Fuse	01/03/2010-
006	28610	N100S-Pos.28610	Clamp 35 mm	01/03/2010-
006	28615	N100S-Pos.28615	Earth clamp 35 mm	01/03/2010-
006	28620	3102250	6mm ² terminal	01/03/2010-
006	28625	N100S-Pos.28625	Contacteur	01/03/2010-
006	28630	N100S-Pos.28630	Double clamp 4mm	01/03/2010-
006	28635	N100S-Pos.28635	DIN guide backstop	01/03/2010-
006	28640	3190610	Contacteur MC9	01/03/2010-
006	28645	N100S-Pos.28645	Contacteur BF12 (heating element < 9 kW)	01/03/2010-
006	28645	N100S-Pos.28645	Contacteur BF20 (heating element > 9 kW)	01/03/2010-
006	28650	N100S-Pos.28650	Contacteur BF20 (heating element > 9	01/03/2010-
006	28655	N100S-Pos.28655	kW) Motorprotector 1 -	01/03/2010-
006	28660	3236470	1.6A ENGINE CUTOUT	01/03/2010-
006	28665	3236480	ENGINE CUTOUT	01/03/2010-
006	28670	3236490	ENGINE CUTOUT	01/03/2010-
006	28675	N100S-Pos.28675	2 position electrical contacteur LMS25	01/03/2010-
006	28675	N100S-Pos.28675	3 position electrical contacteur LMS25	01/03/2010-
006	28675	N100S-Pos.28675	4 position electrical contacteur LMS25	01/03/2010-
006	28675	N100S-Pos.28675	5 position electrical contacteur LMS25	01/03/2010-
006	28680	N100S-Pos.28680	Clamp	01/03/2010-
006	28685	N100S-Pos.28685	Automatic fuse C20 (heating element < 9 kW)	01/03/2010-
006	28685	N100S-Pos.28685	Automatic fuse C25 (heating element > 9 kW)	01/03/2010-
006	28690	N100S-Pos.28690	Automatic fuse C20 (heating element < 9 kW)	01/03/2010-
006	28690	N100S-Pos.28690	Automatic fuse C25 (heating element > 9	01/03/2010-
006	28695	N100S-Pos.28695	kW) Transformer 200VA	01/03/2010-
006	28700	3236500	RELAY	01/03/2010-
006	28705	N100S-Pos.28705	Base for relay	01/03/2010-
006	28710	3236510	Auxiliary contact LMS25	01/03/2010-
006	28715	N100S-Pos.28715	Fuse holder	01/03/2010-
006	28720	N100S-Pos.28720	Control panel cover	01/03/2010-
006	28725	N100S-Pos.28725	Electric parts pannel L=800	01/03/2010-
006	28725	N100S-Pos.28725	Electric parts pannel L=1000	01/03/2010-
006	28725	N100S-Pos.28725	Electric parts pannel L=1300	01/03/2010-
006	28740	N100S-Pos.28740	Clamp 4mm	01/03/2010-
006	28745	N100S-Pos.28745	Cable-fastener PG29	01/03/2010-
006	28750	N100S-Pos.28750	Lock nut	01/03/2010-
006	28755	N100S-Pos.28755	Plug PG29	01/03/2010-

Page	Pos	Code	Description	Info
006	28760	N100S-Pos.28760	Fuse holder covering plate	01/03/2010-
006	28765	N100S-Pos.28765	Double clamp covering plate 4mm	01/03/2010-
006	28770	N100S-Pos.28770	Clamp covering plate 4mm	01/03/2010-
006	28775	N100S-Pos.28775	Clamp covering plate 35mm	01/03/2010-
006	28780	N100S-Pos.28780	MC9 auxiliary contact 2NO	01/03/2010-
006	28780	3025110	MC9.10 24V 1NA-1NO auxiliary contact	01/03/2010-
006	28780	3236150	2NC contact (red)	01/03/2010-
006	28785	N100S-Pos.28785	DIN guide support	01/03/2010-
006	28790	N100S-Pos.28790	Electrical bonding bar	01/03/2010-
006	28795	N100S-Pos.28795	Insulators	01/03/2010-
006	28800	N100S-Pos.28800	Connection bar	01/03/2010-
006	28805	N100S-Pos.28805	Mechanical lock safety	01/03/2010-
006	28810	N100S-Pos.28810	Feed clamp 35mm	01/03/2010-
006	28815	N100S-Pos.28815	Clamp 35 mm	01/03/2010-
006	28815	N100S-Pos.28815	Clamp 70mm	01/03/2010-
007	6900	3245770	Economizer	01/03/2010-
007	6905	3245740	Economizer bar	01/03/2010-
007	6910	N100S-Pos.6910	Economizer support	01/03/2010-
007	6915	3245780	Magnet holder	01/03/2010-
007	6920	3245790	Magnet	01/03/2010-
007	6925	33Q6490	Nut for hub	01/03/2010-
007	6930	33Q6600	Hub for rotor	01/03/2010-
008	7000	N100S-Pos.7000	Curtain moulding	01/03/2010-
008	7005	3245430	Curtain rod short	01/03/2010-
008	7010	3245440	Curtain rod long	01/03/2010-
008	7015	N100S-Pos.7015	Curtain support	01/03/2010-
008	7020	3205350	Curtain long	01/03/2010-
008	7025	3245450	Curtain short	01/03/2010-
009	7200	N100S-Pos.7200	Time relay 24V	01/03/2010-
009	7205	N100S-Pos.7205	MC9 auxiliary contact 2NO	01/03/2010-
009	7205	3025110	MC9.10 24V 1NA-1NO auxillary contact	01/03/2010-
009	7205	3236150	2NC contact (red)	01/03/2010-
010	8200	N100S-Pos.8200	PROTECTION	01/03/2010-
010	8205	N100S-Pos.8205	Cover panel	01/03/2010-
010	8210	N100S-Pos.8210	Complete body	01/03/2010-
010	8215	N100S-Pos.8215	Dryer module	01/03/2010-
010	8230	N100S-Pos.8230	Flow conveyor	01/03/2010-
010	8235	N100S-Pos.8235	Splash guard	01/03/2010-
010	8240	N100S-Pos.8240	Air covering	01/03/2010-
010	8245	N100S-Pos.8245	Dryer carter lockup	01/03/2010-
011	8505	N100S-Pos.8505	Thermostat knob	01/03/2010-
011	8510	N100S-Pos.8510	Thermostat support	01/03/2010-
011	8515	N100S-Pos.8515	Thermostat with shaft 0 - 300	01/03/2010-
011	8525	N100S-Pos.8525	Cover drying conveyor	01/03/2010-
011	8530	N100S-Pos.8530	Right drying conveyor	01/03/2010-
011	8530	N100S-Pos.8530	Left drying conveyor	01/03/2010-
011	8545	N100S-Pos.8545	Gasket 17x25x2	01/03/2010-
011	8550	N100S-Pos.8550	Drying heating element with nut	01/03/2010-
011	8555	N100S-Pos.8555	Motorfan 0.55 kW	01/03/2010-
011	8555	3270090	Motorfan 1,1 kW	01/03/2010-
011	8560	N100S-Pos.8560	Motorfan support	01/03/2010-

Page	Pos	Code	Description	Info
011	8565	N100S-Pos.8565	Pump rotor 0,55 kW	01/03/2010-
012	29010	3190610	Contactora MC9	01/03/2010-
012	29015	N100S-Pos.29015	Contactora BF12 (heating element < 9 kW)	01/03/2010-
012	29015	N100S-Pos.29015	Contactora BF20 (heating element > 9	01/03/2010-
012	29020	3236480	KW) ENGINE CUTOUT	01/03/2010-
012	29020	3236490	ENGINE CUTOUT	01/03/2010-
012	29025	N100S-Pos.29025	Automatic fuse C20 (heating element < 9 kW)	01/03/2010-
012	29025	N100S-Pos.29025	Automatic fuse C25 (heating element > 9	01/03/2010-
012	29030	3236510	kW) Auxiliary contact	01/03/2010-
013	8200	N100S-Pos.8200	Cover panel	01/03/2010-
013	8205	N100S-Pos.8205	Dryer carter lockup	01/03/2010-
013	8210	N100S-Pos.8210	Complete body	01/03/2010-
013	8215	N100S-Pos.8215	Spring support	01/03/2010-
013	8220	N100S-Pos.8220	Spring holder	01/03/2010-
013	8225	3236420	SPRING	01/03/2010-
013	8230	3270080	Spring clamping plate	01/03/2010-
013	8235	N100S-Pos.8235	Door stop	01/03/2010-
013	8240	N100S-Pos.8240	Spring assembly BBSR 22	01/03/2010-
013	8245	N100S-Pos.8245	Door guide	01/03/2010-
013	8250	N100S-Pos.8250	Door assembly	01/03/2010-
013	8255	N100S-Pos.8255	Flow conveyor	01/03/2010-
013	8265	N100S-Pos.8265	Rear panel	01/03/2010-
013	8270	N100S-Pos.8270	Slideways	01/03/2010-
013	8275	N100S-Pos.8275	Front cover	01/03/2010-
013	8280	N100S-Pos.8280	Support microswitch	01/03/2010-
013	8285	3176160	Door microswitch	01/03/2010-
013	8290	N100S-Pos.8290	Foot	01/03/2010-
013	8295	N100S-Pos.8295	Lower drying arm	01/03/2010-
013	8300	N100S-Pos.8300	Side drying arm	01/03/2010-
013	8330	3236100	Tube for turbine D-41	01/03/2010-
014	46130	3236080	MEDIO JET turbo- blowers (3-kW 230/400V 50Hz)	01/03/2010-
014	46135	3244530	Cartridge filter turbo- blowers	01/03/2010-
014	46140	N100S-Pos.46140	Pipe connection ""radio "" Ø60x120mm	01/03/2010-
014	46145	3236090	2 ways derivations (Ø 40-40-60) turbo-	01/03/2010-
014	46150	3236100	blowers Tube for turbine D-41	01/03/2010-
015	46100	3236100	Tube for turbine D-41	01/03/2010-
015	46105	N100S-Pos.46105	Gasket	01/03/2010-
015	46115	N100S-Pos.46115	Side drying arm	01/03/2010-
015	46120	N100S-Pos.46120	Lower drying arm	01/03/2010-
016	9300	N100S-Pos.9300	Chimney	01/03/2010-
016	9305	N100S-Pos.9305	Cover with hole	01/03/2010-
016	9310	N100S-Pos.9310	Fairlead	01/03/2010-
016	9315	N100S-Pos.9315	Complete body	01/03/2010-
016	9320	N100S-Pos.9320	Jet top	01/03/2010-
016	9325	N100S-Pos.9325	Suction group	01/03/2010-
017	9500	N100S-Pos.9500	Impeller fan	01/03/2010-
017	9505	N100S-Pos.9505	Motor holder	01/03/2010-
017	9510	N100S-Pos.9510	Fairlead	01/03/2010-
017	9515	3274560	Motor - 0,12KW 2P 230/400V 50HZ	01/03/2010-

Page	Pos	Code	Description	Info
017	9525	N100S-Pos.9525	Steam condenser base	01/03/2010-
017	9535	3245000		01/03/2010-
017	9540	N100S-Pos.9540	Elbow	01/03/2010-
017	9550	N100S-Pos.9550	Elbow	01/03/2010-
017	9560	N100S-Pos.9560	Heating recovery battery	01/03/2010-
017	9565	N100S-Pos.9565	Cable	01/03/2010-
018	9700	N100S-Pos.9700	Motorprotector 1 - 1.6A	01/03/2010-
018	9705	3236510	Auxiliary contact LMS25	01/03/2010-
018	9710	3190610	Contactora MC9	01/03/2010-
019	11300	3216950	Ø160 bottom	01/03/2010-
019	11305	N100S-Pos.11305	Boiler insulating	01/03/2010-
019	11310	N100S-Pos.11310	Under Boiler AISI-316	01/03/2010-
019	11315	37Q5260	6225 OR 160 NBR gasket	01/03/2010-
019	11320	35E8870	Heating element guard	01/03/2010-
019	11325	3113780	HEATING ELEMENT SUPPORT	01/03/2010-
019	11330	3037760	6KW heating element	01/03/2010-
019	11330	3191240	Heating element 12kW	01/03/2010-
019	11330	3236030	HEATING ELEMENT	01/03/2010-
019	11330	32G3410	9KW heating element	01/03/2010-
019	11335	N100S-Pos.11335	Upper Boiler AISI-316	01/03/2010-
020	11500	N100S-Pos.11500	Contactora BF12 (heating element < 9 kW)	01/03/2010-
020	11500	N100S-Pos.11500	Contactora BF20 (heating element > 9 kW)	01/03/2010-
020	11505	N100S-Pos.11505	Automatic fuse C20 (heating element < 9 kW)	01/03/2010-
020	11505	N100S-Pos.11505	Automatic fuse C25 (heating element > 9	01/03/2010-
020	11510	32V7260	kW) SAFETY THERMOSTAT	01/03/2010-
020	11515	32V7240	0-90°C thermostat	01/03/2010-
021	12300	33D2100	SAFETY VALVE	01/03/2010-
021	12305	N100S-Pos.12305	12/22 clamp	01/03/2010-
021	12310	N100S-Pos.12310	Valve body center	01/03/2010-
021	12315	N100S-Pos.12315	Flat valve	01/03/2010-
021	12320	N100S-Pos.12320	Flat valve cover	01/03/2010-
021	12325	N100S-Pos.12325	Valve gasket	01/03/2010-
021	12330	N100S-Pos.12330	Sphere	01/03/2010-
021	12335	N100S-Pos.12335	O-ring 115 KTW	01/03/2010-
022	33605	N100S-Pos.33605	Bracket door	01/03/2010-
022	33615	3244980	Drain pipe bracket	01/03/2010-
022	33620	N100S-Pos.33620	Idle shaft support	01/03/2010-
022	33625	3244790	Neutral wheel	01/03/2010-
022	33630	3244800	Neutral wheel bushing	01/03/2010-
022	33635	N100S-Pos.33635	Bracket surface filter	01/03/2010-
022	33640	N100S-Pos.33640	Neutral shaft	01/03/2010-
022	33645	N100S-Pos.33645	Support microswitch	01/03/2010-
022	33650	3176160	Door microswitch	01/03/2010-
022	33655	N100S-Pos.33655	Foot	01/03/2010-
023	34000	N100S-Pos.34000	And entirety run plates assembly	01/03/2010-
023	34005	N100S-Pos.34005	Bracket door	01/03/2010-
023	34010	N100S-Pos.34010	Lateral support shaft	01/03/2010-
023	34015	N100S-Pos.34015	Viton seal ring 20.30.5 M.INOX	01/03/2010-
023	34020	N100S-Pos.34020	Bearing 6004 42-20- 12	01/03/2010-
023	34025	N100S-Pos.34025	Spacer bearing	01/03/2010-

Page	Pos	Code	Description	Info
023	34030	37Q5220	OR 147 NBR gasket	01/03/2010-
023	34035	N100S-Pos.34035	Cover without hole	01/03/2010-
023	34040	N100S-Pos.34040	Viton seal ring 20.30.57 NBR	01/03/2010-
023	34045	N100S-Pos.34045	Pinion Z50 1/2" - 5/16"	01/03/2010-
023	34046	N100S-Pos.34046	Cover with hole	01/03/2010-
023	34050	36H1440	Short spring door	01/03/2010-
023	34055	3244980	Drain pipe bracket	01/03/2010-
023	34060	N100S-Pos.34060	2" Leg	01/03/2010-
023	34065	3245670	Capstan / Pulley	01/03/2010-
023	34070	3272630	Tape spacer	01/03/2010-
023	34075	N100S-Pos.34075	Capstan / Shaft	01/03/2010-
023	34080	N100S-Pos.34080	Inox key 8x7x30	01/03/2010-
023	34085	3176160	Door microswitch	01/03/2010-
023	34090	N100S-Pos.34090	Support microswitch	01/03/2010-
023	34095	36H1430	Door spring	01/03/2010-
023	34100	N100S-Pos.34100	Chain tightener	01/03/2010-
023	34105	N100S-Pos.34105	Sprocket chain	01/03/2010-
023	34110	3211100	tightener 1/2 Z18 Chain 1/2"	01/03/2010-
023	34115	N100S-Pos.34115	Reduction 1/50	01/03/2010-
023	34115	N100S-Pos.34115	Reduction 1/60	01/03/2010-
023	34115	N100S-Pos.34115	Reduction 1/45	01/03/2010-
023	34115	N100S-Pos.34115	Reduction 1/36	01/03/2010-
023	34115	N100S-Pos.34115	Reduction 1/70	01/03/2010-
023	34115	N100S-Pos.34115	Reduction 1/64	01/03/2010-
023	34115	3222880	Reduction 1/100	01/03/2010-
023	34120	N100S-Pos.34120	Pinion Z14 (mod. N100)	01/03/2010-
023	34120	N100S-Pos.34120	Pinion Z10 1/2" - 5/16" (mod. N38-N42)	01/03/2010-
023	34120	N100S-Pos.34120	Pinion Z11 1/2" - 5/16" (mod. N42-N70- N85)	01/03/2010-
023	34120	N100S-Pos.34120	Pinion Z12(mod. N66)	01/03/2010-
023	34120	3211090	Pinion Z13 (mod. N50)	01/03/2010-
023	34125	3222850	MOTOR	01/03/2010-
023	34130	N100S-Pos.34130	Inox key 8x7x30	01/03/2010-
023	34130	N100S-Pos.34130	Inox key 5x5x25	01/03/2010-
023	34135	N100S-Pos.34135	Inox key 8x6x20	01/03/2010-
023	34140	N100S-Pos.34140	BONFIGLIOLI Reducing tree	01/03/2010-
023	34140	N100S-Pos.34140	SITI Reducing tree	01/03/2010-
023	34145	N100S-Pos.34145	Pulley shaft for tightener	01/03/2010-
024	40000	N100S-Pos.40000	Rear panel for schelf L=1200mm	01/03/2010-
024	40005	N100S-Pos.40005	Panel lateral for schelf	01/03/2010-
024	40010	N100S-Pos.40010	Panel for schelf L=900mm	01/03/2010-
024	40015	N100S-Pos.40015	Panel for schelf L=300mm	01/03/2010-
025	40020	N100S-Pos.40020	Panel for schelf L=900mm	01/03/2010-
025	40030	N100S-Pos.40030	Panel lateral for schelf	01/03/2010-
025	40035	N100S-Pos.40035	Panel for schelf L=600mm	01/03/2010-
025	40040	N100S-Pos.40040	Panel for schelf L=300mm	01/03/2010-
026	40045	N100S-Pos.40045	Panel for schelf L=1300mm	01/03/2010-
026	40050	N100S-Pos.40050	Panel for schelf L=600mm	01/03/2010-
026	40055	N100S-Pos.40055	Panel for schelf L=900mm	01/03/2010-
026	40060	N100S-Pos.40060	Panel lateral for schelf	01/03/2010-
026	40065	N100S-Pos.40065	Panel for schelf L=300mm	01/03/2010-
027	40100	N100S-Pos.40100	Panel for schelf L=300mm	01/03/2010-

Page	Pos	Code	Description	Info
027	40105	N100S-Pos.40105	Lateral control panel	01/03/2010-
027	40110	3201260	Emergency button	01/03/2010-
027	40115	3236110	Button red	01/03/2010-
027	40120	3236120	Button green	01/03/2010-
027	40125	N100S-Pos.40125	Lamp 24V	01/03/2010-
027	40130	3236130	Contact piece 1NO	01/03/2010-
027	40135	3236140	Lamp holder	01/03/2010-
027	40140	3236150	2NC contact (red)	01/03/2010-
027	40145	3236160	2NO contact (green)	01/03/2010-
027	40150	3236170	Contact piece 1NC	01/03/2010-
027	40155	N100S-Pos.40155	Control panel protection	01/03/2010-
028	14000	3236290	O-ring 3,6x30,8x38 R- 23	01/03/2010-
028	14005	3236300	Arm plug	01/03/2010-
028	14010	3236330	Gasket	01/03/2010-
028	14015	N100S-Pos.14015	Wash arm	01/03/2010-
028	14020	3274870	Right prewash ramp	01/03/2010-
028	14030	3236340	Arm connection flange	01/03/2010-
028	14040	3236350	Distributor O-ring	01/03/2010-
028	14045	3236360	Gasket OR-3218	01/03/2010-
028	14050	N100S-Pos.14050		01/03/2010-
028	14055	3060500	2Hp pump - 60Hz	01/03/2010-
028	14055	3182270	PUMP	01/03/2010-
028	14055	3182280	PUMP	01/03/2010-
028	14055	32M6940	PUMP	01/03/2010-
028	14055	88106/B		01/03/2010-
028	14060	33M1730	Tank suction elbow	01/03/2010-
028	14065	3009113		01/03/2010-
028	14065	N100S-Pos.14065	Pump support	01/03/2010-
028	14070	N100S-Pos.14070		01/03/2010-
028	14075	N100S-Pos.14075		01/03/2010-
028	14080	N100S-Pos.14080		01/03/2010-
028	14085	3021610	OR 3125 NBR gasket	01/03/2010-
029	48200	3201280	Pump 0,10 HP	01/03/2010-
029	48205	3185610	Reducer	01/03/2010-
029	48210	3245000	3/4"M - 1/2"F	01/03/2010-
029	48215	N100S-Pos.48215	Reduction nipples	01/03/2010-
029	48220	3245000		01/03/2010-
029	48225	N100S-Pos.48225	Valve support	01/03/2010-
029	48230	N100S-Pos.48230	T pipe 1/2" F-F-F	01/03/2010-
029	48235	N100S-Pos.48235	Tap 1/2" F-F	01/03/2010-
029	48240	N100S-Pos.48240	Pipe 1/4"M - 1/2"	01/03/2010-
029	48245	N100S-Pos.48245	Pipe 1/4" F-F-F	01/03/2010-
029	48250	N100S-Pos.48250	Reduction 1/8"F - 1/4"M	01/03/2010-
029	48255	N100S-Pos.48255	Ø 10x14x1,5 Gasket	01/03/2010-
029	48260	N100S-Pos.48260	Plug 1/8"M "	01/03/2010-
029	48265	N100S-Pos.48265	Support rinsing arm	01/03/2010-
029	48270	N100S-Pos.48270	Rinsing arm 3 nozzle	01/03/2010-
029	48275	3309650	Inox rinsing nozzle	01/03/2010-
029	48280	3197840	OR gasket 2081	01/03/2010-
029	48285	N100S-Pos.48285	Rinsing graft arm	01/03/2010-
029	48290	N100S-Pos.48290	12/10 Metal plain washer	01/03/2010-

Page	Pos	Code	Description	Info
029	48295	N100S-Pos.48295	OR gasket 123 NBR	01/03/2010-
029	48300	33Q6520	O12 mm plastic 3 ways derivati	01/03/2010-
029	48305	3183330	Undirectional valve 3/4"	01/03/2010-
029	48310	N100S-Pos.48310	1/4"G Hose holder OT/NI-Ø12	01/03/2010-
029	48315	3185610	Reducer	01/03/2010-
029	48320	N100S-Pos.48320	"3/8"G Rubber holder elbow	01/03/2010-
030	16600	3197840	OR gasket 2081	01/03/2010-
030	16610	3236380	Rinsing arm 4 nozzle	01/03/2010-
030	16615	N100S-Pos.16615	OR gasket EPDM Ø17x1,5	01/03/2010-
030	16620	3236390	Inox plug M18x1 Ø 26x9	01/03/2010-
030	16625	N100S-Pos.16625	Rinsing ramp	01/03/2010-
030	16630	N100S-Pos.16630	Gasket 38x27x8	01/03/2010-
030	16635	N100S-Pos.16635	Nut	01/03/2010-
030	16640	N100S-Pos.16640	Nozzle (mod. N38- N42-N50)	01/03/2010-
030	16640	3236400	Stainless steel rinse nozzle I-C1	01/03/2010-
030	16645	3236410	Stainless steel nut 3/8 F	01/03/2010-
031	16600	3197840	OR gasket 2081	01/03/2010-
031	16610	N100S-Pos.16610	Tube lavage lateral	01/03/2010-
031	16615	N100S-Pos.16615	OR gasket EPDM Ø17x1,5	01/03/2010-
031	16620	3236390	Inox plug M18x1 Ø 26x9	01/03/2010-
031	16625	N100S-Pos.16625	Rinsing ramp	01/03/2010-
031	16630	N100S-Pos.16630	Gasket 38x27x8	01/03/2010-
031	16635	N100S-Pos.16635	Nut	01/03/2010-
032	15900	N100S-Pos.15900	Overflow pipe plug	01/03/2010-
032	15905	N100S-Pos.15905	Overflow pipe	01/03/2010-
032	15910	3229470	Overflow device support	01/03/2010-
032	15915	N100S-Pos.15915	Air trap	01/03/2010-
032	15920	37Q5130	Gasket	01/03/2010-
032	15925	30Q3240	Pump suction-filter	01/03/2010-
032	15930	32V7050	260-30 pressure switch	01/03/2010-
032	15935	35E8870	Heating element guard	01/03/2010-
032	15940	3113780	HEATING ELEMENT	01/03/2010-
032	15945	3191240	SUPPORT Heating element 12kW	01/03/2010-
032	15945	3236030	HEATING ELEMENT	01/03/2010-
032	15945	32G3410	9KW heating element	01/03/2010-
032	15955	37Q5260	6225 OR 160 NBR gasket	01/03/2010-
032	15960	33Q6470	M8 stainless steel nut	01/03/2010-
032	15965	N100S-Pos.15965	Tank support	01/03/2010-
032	15970	37Q5150	75x58x2 gasket	01/03/2010-
032	15975	3229480	Flat nut	01/03/2010-
032	15980	N100S-Pos.15980	Strainer plate, back	01/03/2010-
032	15985	N100S-Pos.15985	Strainer plate	01/03/2010-
032	15990	N100S-Pos.15990	Scrap tray	01/03/2010-
032	15995	N100S-Pos.15995	Pressure switch support	01/03/2010-
032	16000	N100S-Pos.16000	Overflow pipe assembly	01/03/2010-
032	16005	3208250	L=900mm Guide for conveyor	01/03/2010-
032	16010	N100S-Pos.16010	Transfer tanks cover	01/03/2010-
032	16015	N100S-Pos.16015	Regulation transfer tanks coupling	01/03/2010-
032	16020	N100S-Pos.16020	Plastic transfer tanks curve	01/03/2010-
032	16025	N100S-Pos.16025	Flat gasket 65x47x3 NBR	01/03/2010-
032	16030	3274120	Lock nut 1 1/2" plastic	01/03/2010-

Page	Pos	Code	Description	Info
032	16035	N100S-Pos.16035	Horizontal transfer tanks	01/03/2010-
033	16200	N100S-Pos.16200	Tank plug	01/03/2010-
033	16205	3020420	Stainless steel floor drain	01/03/2010-
033	16210	N100S-Pos.16210	Air trap	01/03/2010-
033	16215	37Q5130	Gasket	01/03/2010-
033	16220	32V7060	47-27 pressure switch	01/03/2010-
033	16225	33Q6470	M8 stainless steel nut	01/03/2010-
033	16230	3030160	44x32x3 drain elbow gasket	01/03/2010-
033	16235	3030170	Stainless steel nut	01/03/2010-
033	16240	N100S-Pos.16240	Filter nox	01/03/2010-
033	16245	N100S-Pos.16245	Pressure switch support	01/03/2010-
033	16250	N100S-Pos.16250	L=600mm Guide for conveyor RH/LH	01/03/2010-
034	17100	3216950	Ø160 bottom	01/03/2010-
034	17105	N100S-Pos.17105	Boiler insulating	01/03/2010-
034	17110	N100S-Pos.17110	Under Boiler AISI-316	01/03/2010-
034	17115	N100S-Pos.17115	Upper Boiler AISI-316	01/03/2010-
034	17120	37Q5260	6225 OR 160 NBR gasket	01/03/2010-
034	17125	35E8870	Heating element guard	01/03/2010-
034	17130	3113780	HEATING ELEMENT SUPPORT	01/03/2010-
034	17135	3191240	Heating element 12kW	01/03/2010-
034	17135	3236030	HEATING ELEMENT	01/03/2010-
034	17135	32G3410	9KW heating element	01/03/2010-
035	21800	3245000		01/03/2010-
035	21805	3223020	Solenoid valve	01/03/2010-
035	21810	N100S-Pos.21810	Connection T	01/03/2010-
035	21835	N100S-Pos.21835	Elbow	01/03/2010-
035	21840	N100S-Pos.21840	Pressure reduction gauge	01/03/2010-
035	21845	N100S-Pos.21845	Pressure reduction valve	01/03/2010-
035	21850	3245020	Filter	01/03/2010-
035	21855	N100S-Pos.21855	Gasket 38x27x8	01/03/2010-
035	21860	N100S-Pos.21860	Nipples	01/03/2010-
035	21865	N100S-Pos.21865	Nipples	01/03/2010-
035	21870	N100S-Pos.21870	Valve support	01/03/2010-
035	21875	3245010	Reduction nipples	01/03/2010-
035	21880	N100S-Pos.21880	Nipples	01/03/2010-
035	21885	N100S-Pos.21885	Elbow distributor	01/03/2010-
036	21400	3245000		01/03/2010-
036	21405	3223020	Solenoid valve	01/03/2010-
036	21410	N100S-Pos.21410	Connection T	01/03/2010-
036	21435	N100S-Pos.21435	Elbow	01/03/2010-
036	21440	N100S-Pos.21440	Pressure reduction gauge	01/03/2010-
036	21445	N100S-Pos.21445	Pressure reduction valve	01/03/2010-
036	21450	3245020	Filter	01/03/2010-
036	21455	N100S-Pos.21455	Gasket 38x27x8	01/03/2010-
036	21460	N100S-Pos.21460	Nipples	01/03/2010-
036	21465	N100S-Pos.21465	Nipples	01/03/2010-
036	21470	N100S-Pos.21470	Pipe 1/4"M - 1/2"	01/03/2010-
036	21475	N100S-Pos.21475	Valve support	01/03/2010-
036	21480	3245010	Reduction nipples	01/03/2010-
036	21485	N100S-Pos.21485	Elbow	01/03/2010-
036	21490	N100S-Pos.21490	Elbow distributor	01/03/2010-

Page	Pos	Code	Description	Info
036	21495	N100S-Pos.21495	Nipples	01/03/2010-
036	21500	N100S-Pos.21500	Tap 1/2" F-F	01/03/2010-
037	21800	3245000		01/03/2010-
037	21805	3223020	Solenoid valve	01/03/2010-
037	21810	N100S-Pos.21810	Connection	01/03/2010-
037	21835	N100S-Pos.21835	Elbow	01/03/2010-
037	21840	N100S-Pos.21840	Pressure reduction gauge	01/03/2010-
037	21845	N100S-Pos.21845	Pressure reduction valve	01/03/2010-
037	21850	3245020	Filter	01/03/2010-
037	21855	N100S-Pos.21855	Gasket 38x27x8	01/03/2010-
037	21860	N100S-Pos.21860	Nipples	01/03/2010-
037	21865	N100S-Pos.21865	Nipples	01/03/2010-
037	21870	N100S-Pos.21870	Valve support	01/03/2010-
037	21875	3245010	Reduction nipples	01/03/2010-
037	21880	N100S-Pos.21880	Nipples	01/03/2010-
037	21885	N100S-Pos.21885	Elbow distributor	01/03/2010-
038	38000	3208230	Shaft	01/03/2010-
038	38005	3244810	L=46mm Spacer	01/03/2010-
038	38010	3208240	Finger for dishes	01/03/2010-
038	38015	3244830	L=34mm Spacer	01/03/2010-
038	38020	3208250	L=900mm Guide for conveyor	01/03/2010-
038	38025	3244840	Stainless steel link	01/03/2010-
038	38030	3200590	Wheel	01/03/2010-
039	38000	3208230	Shaft	01/03/2010-
039	38005	3244810	L=46mm Spacer	01/03/2010-
039	38010	3217290	Finger	01/03/2010-
039	38015	3244830	L=34mm Spacer	01/03/2010-
039	38020	3217300	Finger for trays	01/03/2010-
039	38025	3244840	Stainless steel link	01/03/2010-
039	38030	3200590	Wheel	01/03/2010-
039	38035	3208250	L=900mm Guide for conveyor	01/03/2010-
039	38040	N100S-Pos.38040	Thermic tray axle	01/03/2010-
039	38045	3170230	WASHER	01/03/2010-
039	38050	3223710	Ø8 stainless steel snap ring	01/03/2010-
039	38055	3236370	Split pin D2 L12	01/03/2010-
040	22800	N100S-Pos.22800	Splash zone with cilinder FC94 / F16	01/03/2010-
041	25100	N100S-Pos.25100	Jet top	01/03/2010-
042	40200	N100S-Pos.40200	Rear panel	01/03/2010-
042	40205	N100S-Pos.40205	Rear panel	01/03/2010-
042	40210	N100S-Pos.40210	Panel for covering L=600mm	01/03/2010-
042	40215	N100S-Pos.40215	Panel for covering L=900mm	01/03/2010-
042	40220	N100S-Pos.40220	Panel for covering L=700mm	01/03/2010-
042	40225	N100S-Pos.40225	Back panel L=700mm	01/03/2010-
043	29300	3182520	PIPE SEKO	01/03/2010-
043	29305	N100S-Pos.29305	Pipe fitting for rinse dispenser	01/03/2010-
043	29310	N100S-Pos.29310	Dispensers assembly SDN-3 support	01/03/2010-
043	29315	N100S-Pos.29315	Dispensers assembly SDN-3	01/03/2010-
044	34350	3244980	Drain pipe bracket	01/03/2010-
044	34355	37Q5150	75x58x2 gasket	01/03/2010-
044	34360	33Q6510	Floor drain nut	01/03/2010-
044	34365	N100S-Pos.34365	Curve	01/03/2010-

Page	Pos	Code	Description	Info
044	34370	N100S-Pos.34370	Curve 30° (PP)	01/03/2010-
044	34375	N100S-Pos.34375	Tube HTDM 40/1 (PP)	01/03/2010-
044	34380	N100S-Pos.34380	Pipe fitting TI (PP) F/F, 40	01/03/2010-
044	34385	N100S-Pos.34385	Reduction Ø 40/25	01/03/2010-
044	34390	N100S-Pos.34390	Curve	01/03/2010-
044	34395	33M1660	Drain pipe	01/03/2010-
044	34400	33Q6580	Drain elbow	01/03/2010-
044	34405	N100S-Pos.34405	"Horizontal transfer ""RADIO"" Ø 32	01/03/2010-
045	7300	N100S-Pos.7300	Chimney	01/03/2010-
045	7305	3184930	FAN	01/03/2010-
045	7310	N100S-Pos.7310	Motor holder	01/03/2010-
045	7315	N100S-Pos.7315	Cover TR98	01/03/2010-
045	7320	N100S-Pos.7320	Suction group	01/03/2010-
045	7325	3183310	MOTOR	01/03/2010-
045	7330	N100S-Pos.7330	Heating recovery battery	01/03/2010-
045	7335	N100S-Pos.7335	Complete body	01/03/2010-
045	7340	N100S-Pos.7340	Tray	01/03/2010-
045	7345	N100S-Pos.7345	Cope	01/03/2010-
045	7350	N100S-Pos.7350	Elbow	01/03/2010-
045	7355	3245000		01/03/2010-
046	8000	3190610	Contacteur MC9	01/03/2010-
046	8005	N100S-Pos.8005	Contacteur BF12 (heating element < 9 kW)	01/03/2010-
046	8005	N100S-Pos.8005	Contacteur BF20 (heating element > 9 kW)	01/03/2010-
046	8010	N100S-Pos.8010	Motorprotector 1 - 1.6A	01/03/2010-
046	8015	N100S-Pos.8015	Automatic fuse C20 (heating element < 9 kW)	01/03/2010-
046	8015	N100S-Pos.8015	Automatic fuse C25 (heating element > 9	01/03/2010-
046	8020	3236510	kW) Auxiliary contact	01/03/2010-
046	8025	3102250	LMS25 6mm2 terminal	01/03/2010-
047	8100	36E8870	Heating element cover	01/03/2010-
047	8105	3113780	HEATING ELEMENT SUPPORT	01/03/2010-
047	8110	3037760	6KW heating element	01/03/2010-
047	8110	3191240	Heating element 12kW	01/03/2010-
047	8110	3236030	HEATING ELEMENT	01/03/2010-
047	8110	32G3410	9KW heating element	01/03/2010-
047	8115	37Q5260	6225 OR 160 NBR gasket	01/03/2010-
048	33400	N100S-Pos.33400	4 kW Compressor	01/03/2010-
048	33405	N100S-Pos.33405	Impeller fan	01/03/2010-
048	33410	N100S-Pos.33410	Heating recovery battery	01/03/2010-
048	33415	N100S-Pos.33415	GAS battery	01/03/2010-
048	33420	N100S-Pos.33420	Inspection slide	01/03/2010-
048	33425	N100S-Pos.33425	Filter	01/03/2010-
049	33500	N100S-Pos.33500	Chimney	01/03/2010-
049	33505	N100S-Pos.33505	Cover TR98	01/03/2010-
049	33510	N100S-Pos.33510	Front body	01/03/2010-
049	33530	N100S-Pos.33530	Top assembly body	01/03/2010-
050	13200	3236290	O-ring 3,6x30,8x38 R- 23	01/03/2010-
050	13205	3236300	Arm plug	01/03/2010-
050	13210	3236330	Gasket	01/03/2010-
050	13215	N100S-Pos.13215	Wash arm	01/03/2010-
050	13220	3274870	Right prewash ramp	01/03/2010-

Page	Pos	Code	Description	Info
050	13225	3236340	Arm connection flange	01/03/2010-
050	13245	N100S-Pos.13245	Elbow coupling press.	01/03/2010-
050	13250	N100S-Pos.13250	Pump 0.9kW - 60Hz	01/03/2010-
050	13250	3190600	PUMP	01/03/2010-
050	13255	33M1730	Tank suction elbow	01/03/2010-
050	13260	N100S-Pos.13260	Pump support	01/03/2010-
050	13265	3236360	Gasket OR-3218	01/03/2010-
050	13270	3236350	Distributor O-ring	01/03/2010-
050	13275	N100S-Pos.13275	Group upper washing	01/03/2010-
050	13280	N100S-Pos.13280	Group under washing	01/03/2010-
051	15000	N100S-Pos.15000	Overflow pipe plug	01/03/2010-
051	15005	3229460	Overflow pipe assembly	01/03/2010-
051	15010	3229470	Overflow device support	01/03/2010-
051	15015	N100S-Pos.15015	Air trap	01/03/2010-
051	15020	37Q5130	Gasket	01/03/2010-
051	15025	N100S-Pos.15025	Inlet pipe	01/03/2010-
051	15030	N100S-Pos.15030	Nut	01/03/2010-
051	15035	N100S-Pos.15035	Nut	01/03/2010-
051	15040	N100S-Pos.15040	Cone	01/03/2010-
051	15045	N100S-Pos.15045	12/10 Metal plain washer	01/03/2010-
051	15050	N100S-Pos.15050	Gasket 17x25x2	01/03/2010-
051	15055	N100S-Pos.15055	Fitting	01/03/2010-
051	15060	N100S-Pos.15060	1/4"G Hose holder OT/NI-Ø12	01/03/2010-
051	15065	30Q3240	Pump suction-filter	01/03/2010-
051	15070	32V7050	260-30 pressure switch	01/03/2010-
051	15075	33Q6470	M8 stainless steel nut	01/03/2010-
051	15080	37Q5150	75x58x2 gasket	01/03/2010-
051	15085	3229480	Flat nut	01/03/2010-
051	15090	N100S-Pos.15090	Strainer plate	01/03/2010-
051	15095	N100S-Pos.15095	Strainer plate	01/03/2010-
051	15100	N100S-Pos.15100	Scrap tray	01/03/2010-
051	15105	N100S-Pos.15105	Pressure switch support	01/03/2010-
051	15110	N100S-Pos.15110	Overflow pipe	01/03/2010-
051	15115	N100S-Pos.15115	L=600mm Guide for conveyor	01/03/2010-
051	15120	N100S-Pos.15120	Horizontal transfer tanks	01/03/2010-
051	15125	N100S-Pos.15125	Flat gasket 65x47x3 NBR	01/03/2010-
051	15130	3274120	Lock nut 1 1/2" plastic	01/03/2010-