

Зип Общепит

vsezip.ru

+7(812)987-08-81



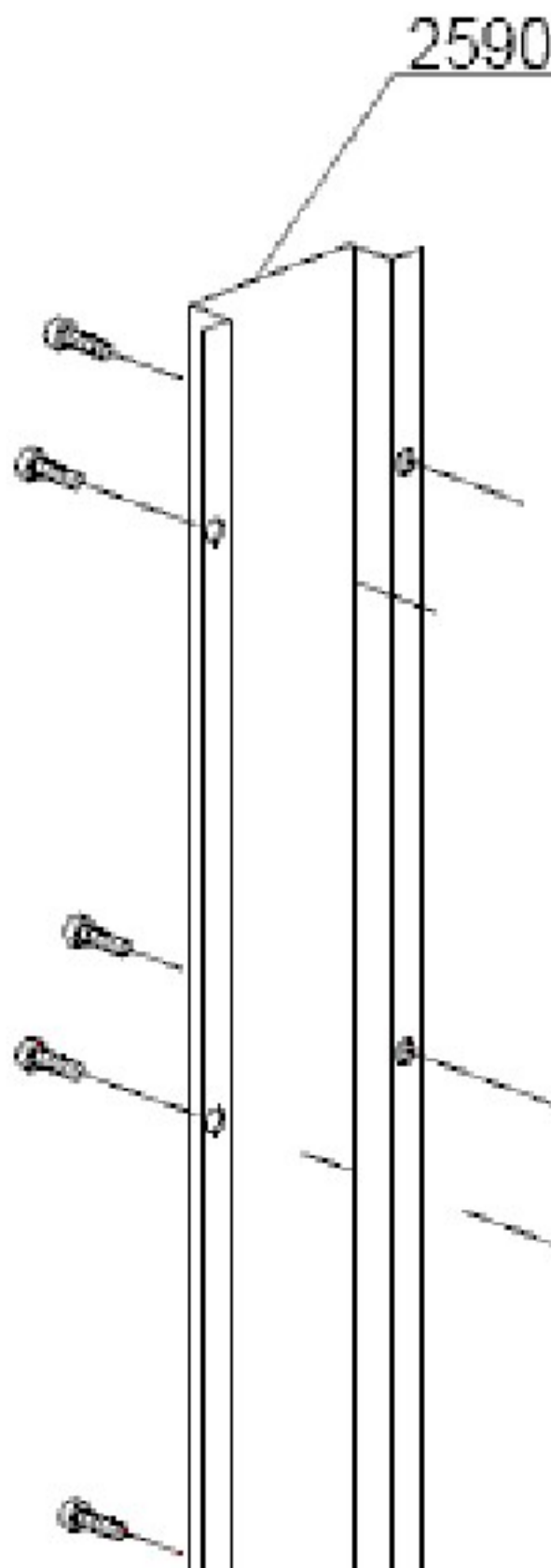
**LP151**

**Edition 20140315-**

Зип Общепит

vsezip.ru

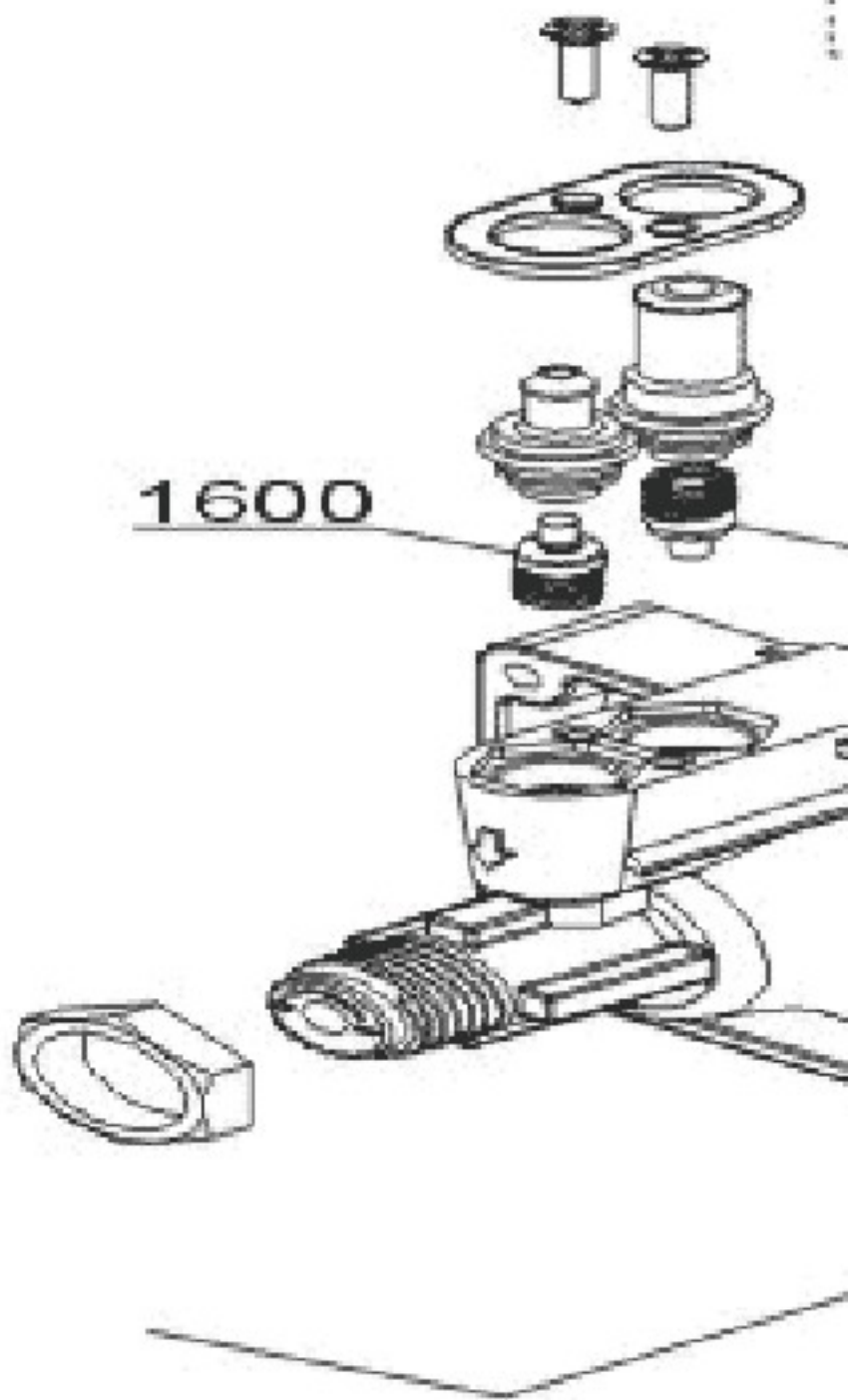
+7(812)987-08-81



Зип Общепит

vsezip.ru

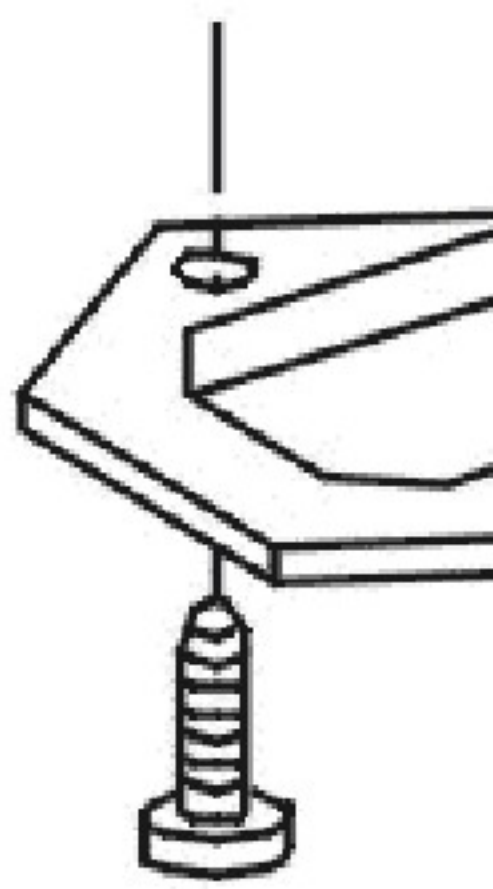
+7(812)987-08-81



Зип Общепит

vsezip.ru

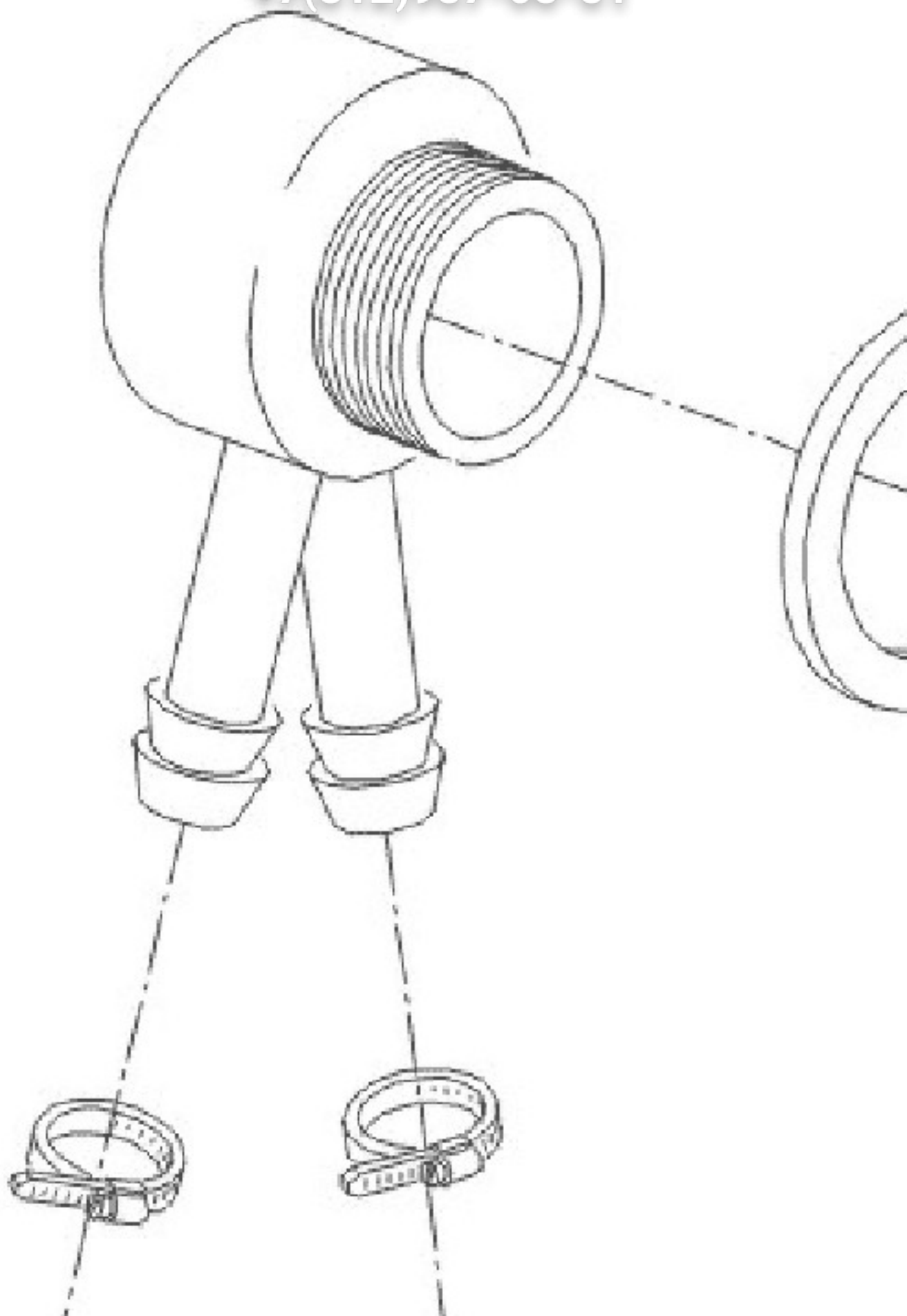
+7(812)987-08-81



Зип Общепит

vsezip.ru

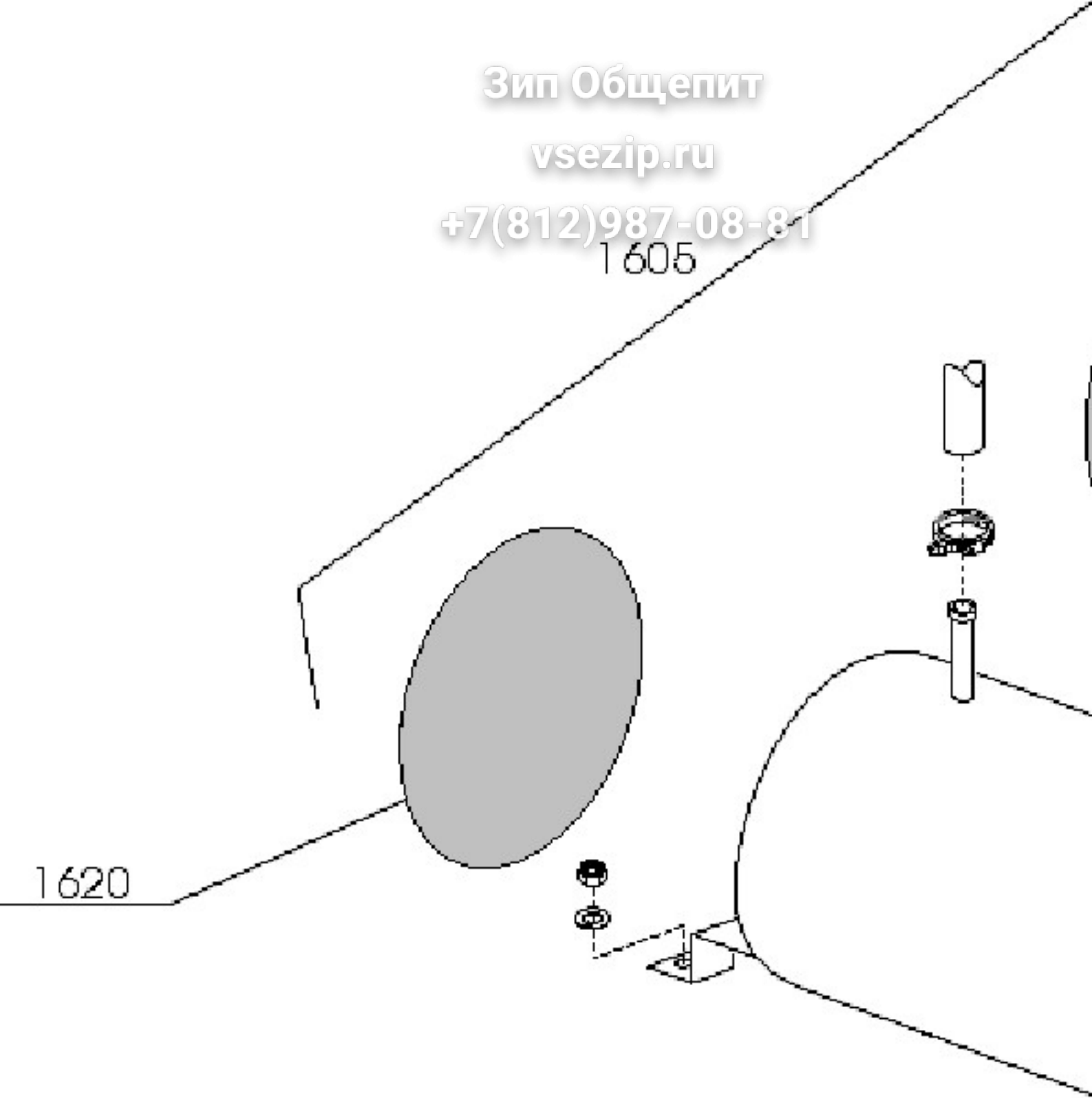
+7(812)987-08-81



Зип Общепит

vsezip.ru

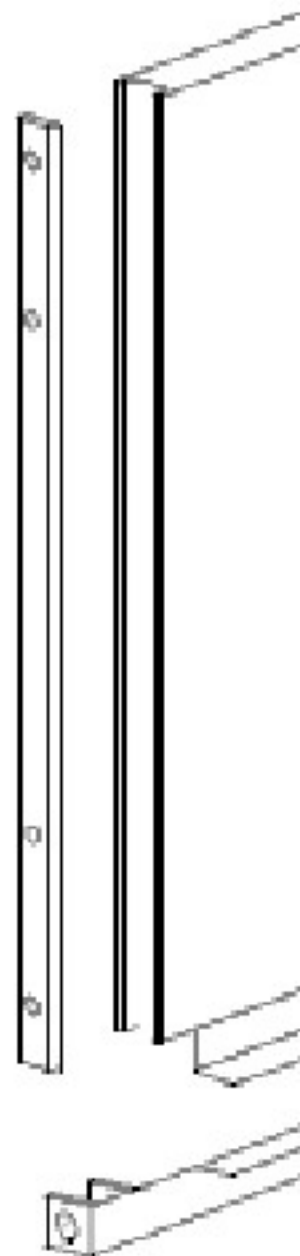
+7(812)987-08-81  
1605



Зип Общепит

[vsezip.ru](http://vsezip.ru)

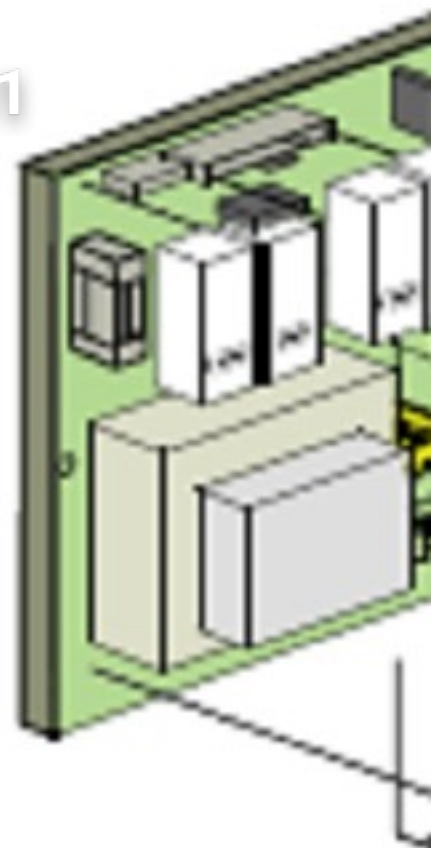
+7(812)987-08-81



Зип Общепит

vsezip.ru

+7(812)987-08-81



3135





Зип Общепит

vsezip.ru

+7(812)987-08-81



**Зип Общепит**

**vsezip.ru**

**+7(812)987-08-81**

**Зип Общепит**

**vsezip.ru**

**+7(812)987-08-81**

**Зип Общепит**

**vsezip.ru**

**+7(812)987-08-81**

**Зип Общепит**

**vsezip.ru**

**+7(812)987-08-81**

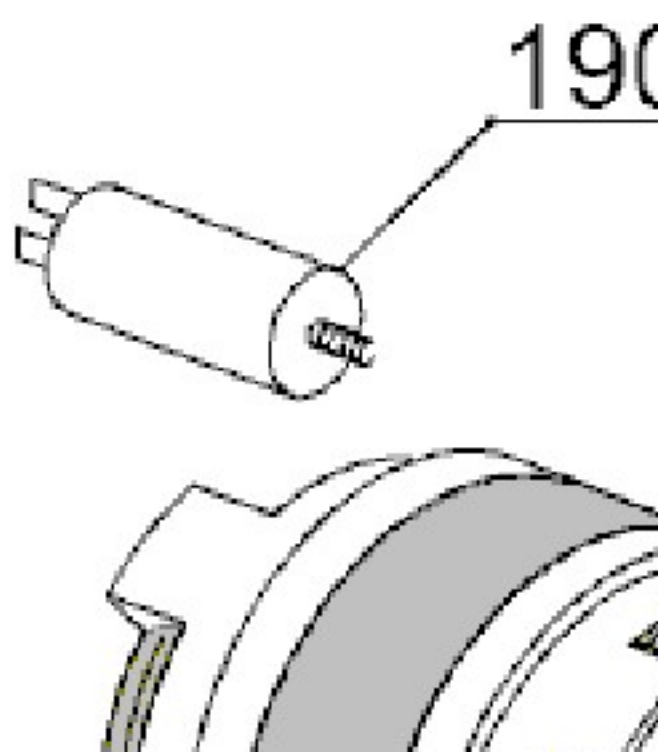


5120

Зип Общепит

vsezip.ru

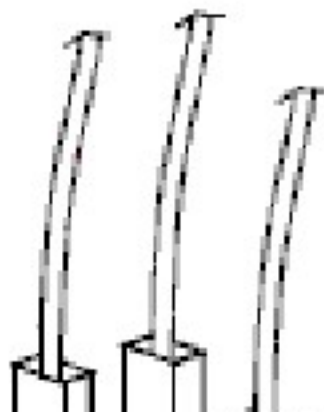
+7(812)987-08-81



**Зип Общепит**

**vsezip.ru**

**+7(812)987-08-81**



Зип Общепит  
vsezip.ru  
+7(812)987-08-81



41955

41960



Page	Pos	Code	Description	Info
002	25900	LP151-Pos.25900	Back panel	01/03/2008-
002	25905	LP151-Pos.25905	Body	01/03/2008-
002	25910	LP151-Pos.25910	Right/left lower splash guard	01/03/2008-
002	25915	36E4180	Foot	01/03/2008-
002	25920	LP151-Pos.25920	Overflow pipe	01/03/2008-
002	25920	33D3360	Overflow pipe	01/03/2008-
002	25925	33Q6580	Drain elbow	01/03/2008-
002	25930	32G3400	2,7KW HEATING EL.	01/03/2008-
002	25935	LP151-Pos.25935	Upper splash guard	01/03/2008-
002	25940	LP151-Pos.25940	Chimney splash guard	01/03/2008-
002	25945	LP151-Pos.25945	Right back panel	01/03/2008-
002	25950	LP151-Pos.25950	Left back panel	01/03/2008-
002	25955	LP151-Pos.25955	Base	01/03/2008-
002	25960	LP151-Pos.25960	Right internal slide	01/03/2008-
002	25965	LP151-Pos.25965	Left internal slide	01/03/2008-
002	25970	3214400	Sleeper holder-filter	01/03/2008-
002	25975	30Q3230	FILTER	01/03/2008-
002	25980	30Q3260	Half-filter with hole	01/03/2008-
002	25985	30Q3280	Stainless steel filter	01/03/2008-
002	25990	LP151-Pos.25990	Reed-holder	01/03/2008-
002	25995	LP151-Pos.25995	Gasket 17x25x2	01/03/2008-
002	26000	LP151-Pos.26000	Reed-holder spacer	01/03/2008-
002	26005	LP151-Pos.26005	Sensor	01/03/2008-
002	26010	LP151-Pos.26010	Nut	01/03/2008-
002	26015	33D3340	Floor drain	01/03/2008-
002	26020	37Q5150	75x58x2 gasket	01/03/2008-
002	26025	33Q6510	Floor drain nut	01/03/2008-
002	26030	32D1850	Cable-fastener with screw	01/03/2008-
002	26035	37Q5140	DEM 40 gasket	01/03/2008-
002	26040	LP151-Pos.26040	Left splash guard	01/03/2008-
002	26045	37Q5190	OR 151 NBR gasket	01/03/2008-
003	1600	3023040	Tecnopro dosing valve	01/07/2003-
003	1605	3024680	O22 gasket	01/07/2003-
003	1610	3206600	Membrane	01/07/2003-
003	1615	LP151-Pos.1615	Spring	01/07/2003-
003	1620	33D3230	2 out shining product dosing d	01/07/2003-
003	1625	36H1500	Counter-weight	01/07/2003-
003	1630	30Q3210	Small filter	01/07/2003-
004	800	33D3280	Single solenoid valve	01/07/2003-
004	820	LP151-Pos.820	Pression reducing valve	01/07/2003-
005	1300	33D2100	SAFETY VALVE	01/09/2007-
006	1600	37Q5260	6225 OR 160 NBR gasket	01/07/2003-
006	1605	34A2560	Boiler + insulating boiler	01/07/2003-
006	1610	3037760	6KW heating element	01/07/2003-
006	1615	3216940	Boiler insulating	01/07/2003-
006	1620	3216950	Ø160 bottom	01/07/2003-
006	1625	35E8870	Heating element guard	01/07/2003-
006	1630	3113780	HEATING ELEMENT SUPPORT	01/07/2003-
007	21000	3174960	Door with steel handle	01/03/2008-
007	21005	3027030	Lower door	01/03/2008-
007	21010	3331170	Upper door	01/03/2008-

Page	Pos	Code	Description	Info
007	21015	3275370	Levers support	01/03/2008-
007	21020	LP151-Pos.21020	Door rod pin	01/03/2008-
007	21025	LP151-Pos.21025	Door rod	01/03/2008-
007	21030	3174970	Stainless steel handle	01/03/2008-
007	21035	LP151-Pos.21035	Door hinge	01/03/2008-
007	21040	LP151-Pos.21040	Pin for door	01/03/2008-
007	21045	3210010	Reed magnet	01/03/2008-
008	3100	LP151-Pos.3100	Control panel	30/06/2011-
008	3105	3270120	Electronic card	30/06/2011-
008	3110	3026650	Silkscreen processed grill	30/06/2011-
008	3115	3220910	Circuit board	30/06/2011-
008	3120	3210410	Plug	30/06/2011-
008	3125	LP151-Pos.3125	Gaskets for protective cover	30/06/2011-
008	3130	3206680	Board spacer	30/06/2011-
008	3135	LP151-Pos.3135	Protective cover for board	30/06/2011-
009	305	LP151-Pos.305	Filter	30/06/2011-
009	315	32V7260	SAFETY THERMOSTAT	30/06/2011-
009	320	32V7170	Remote control switch	30/06/2011-
009	320	32V7170	240V 50H Remote control switch 230V 50/	15/03/2014-
009	325	32V7200	25A/12A remote control switch	30/06/2011-
009	325	32V7210	36A/20A contactor - 230V 50/60	30/06/2011-
009	335	LP151-Pos.335	Electric component panel	30/06/2011-
009	340	3102240	6/8mm <sup>2</sup> yellow/green terminal	30/06/2011-
009	345	3102250	6mm <sup>2</sup> terminal	30/06/2011-
009	350	LP151-Pos.350	4x4x2500 cable	30/06/2011-
009	350	LP151-Pos.350	Power supply cable anti-flame 4x6x3400	30/06/2011-
009	350	LP151-Pos.350	5x4x3400 cable	30/06/2011-
009	356	3099210	Temperature probe set	30/06/2011-
009	360	3220910	Circuit board	30/06/2011-
010	7500	3057760	Booster pump	01/03/2008-
011	30800	LP151-Pos.30800	Ø12-12-10 plastic 3 ways connection	01/03/2008-
011	30805	3140230	12/20 PIPE CLAMP	01/03/2008-
011	30810	3111610	Rinse ramp	01/03/2008-
011	30815	37Q5170	Pipe-pass gasket	01/03/2008-
012	9800	3182270	PUMP	01/03/2008-
012	9800	3182280	PUMP	01/03/2008-
012	9810	33M1790	Delivery side pipe coupling	01/03/2008-
012	9815	33M1720	Suction pipe coupling	01/03/2008-
012	9820	37Q4690	DOOR GASKET	01/03/2008-
012	9825	33M1830	Lower delivery wash pipe	01/03/2008-
012	9830	LP151-Pos.9830	30/45 clamp	01/03/2008-
012	9835	LP151-Pos.9835	50/70 clamp	01/03/2008-
012	9840	LP151-Pos.9840	60/80 clamp AISI-430	01/03/2008-
012	9841	3036790	ROTATING SEALS	01/03/2008-
012	9842	3204820	Pump rotor	01/03/2008-
012	9842	LP151-Pos.9842	240V-415V Pump rotor	01/03/2008-
012	9843	3054670	OR 1225 gasket	01/03/2008-
012	9844	LP151-Pos.9844	Scroll	01/03/2008-
013	5100	3040280	DETERGENT AID PUMP SEKO/GERMAC/PLAS	01/03/2008-
013	5105	36H1500	CONT Counter-weight	01/03/2008-
013	5110	30Q3210	Small filter	01/03/2008-

Page	Pos	Code	Description	Info
013	5120	3226270	JET	01/03/2008-
013	5130	LP151-Pos.5130	Nut m12x1	01/03/2008-
013	5135	3182520	PIPE SEKO	01/03/2008-
013	5140	3040280	DETERGENT AID PUMP SEKO/GERMAC/PLAS CONT	01/03/2008-
013	5145	3182530	Ø8 Germac thermoplastic pipe	01/03/2008-
013	5150	LP151-Pos.5150	Ø10 PLAS CONT thermoplastic pipe	01/03/2008-
013	5155	3040280	DETERGENT AID PUMP SEKO/GERMAC/PLAS CONT	01/03/2008-
013	5160	LP151-Pos.5160	LANG detergent pump	01/03/2008-
014	1900	3027960	Pump support	01/03/2008-
014	1905	32V7010	5 uF condenser	01/03/2008-
014	1910	3019090	DRAIN PUMP	01/03/2008-
014	1915	3223050	25/40 clamp	01/03/2008-
014	1920	LP151-Pos.1920	20/32 clamp	01/03/2008-
014	1930	3027970	Drain coude/pump connection pipe	01/03/2008-
015	2100	32V7080	86-59 pressure switch	01/03/2008-
015	2105	33D3320	Grey air trap assembly	01/03/2008-
015	2110	37Q5130	Gasket	01/03/2008-
015	2115	33Q6470	M8 stainless steel nut	01/03/2008-
015	2116	3036160	4,5X9 EPDM rubber pipe	01/03/2008-
016	41800	33Q6470	M8 stainless steel nut	01/03/2008-
016	41805	LP151-Pos.41805	Lower tie rod	01/03/2008-
016	41810	37Q5090	8x24x2 gasket	01/03/2008-
016	41815	31Z0230	WASHER	01/03/2008-
016	41820	37Q5210	OR 112 NBR gasket	01/03/2008-
016	41825	33Q6610	O10 rubber-holder	01/03/2008-
016	41830	33M1680	Grey wash/rinse lower distribu	01/03/2008-
016	41835	LP151-Pos.41835	OR 4150 O-ring	01/03/2008-
016	41840	33Q6550	Ring nut connection	01/03/2008-
016	41845	LP151-Pos.41845	Steel pipe coupling	01/03/2008-
016	41850	LP151-Pos.41850	Lower extension axle	01/03/2008-
016	41855	33M1650	Lower wash bell-shape	01/03/2008-
016	41860	35Z6760	Rinse axle extension	01/03/2008-
016	41865	36E4140	Spacer for hub	01/03/2008-
016	41870	33Q6490	Nut for hub	01/03/2008-
016	41875	33Q6600	Hub for rotor	01/03/2008-
016	41880	36H1400	Stainless steel wash rotor	01/03/2008-
016	41885	3036720	Rinse axle	01/03/2008-
016	41890	3052320	Rinse rotor	01/03/2008-
016	41895	3036730	Rinse screw	01/03/2008-
016	41900	3199980	Right rinse arm - stainless steel nozzle	01/07/2009-
016	41905	3199990	Left rinse arm - stainless steel nozzle	01/07/2009-
016	41910	3200380	Top/lower rinse group	01/07/2009-
016	41915	33T4590	Stainless steel rinse nozzle	01/03/2008-
016	41920	36Q2090	Rinse arm plug	01/03/2008-
016	41925	33Q6420	Top rinse axle	01/03/2008-
016	41930	33Q6690	extension Stainless steel turret	01/03/2008-
016	41935	LP151-Pos.41935	Rinse elbow	01/03/2008-
016	41940	37Q5240	OR 3137 NBR gasket	01/03/2008-
016	41945	33Q6530	1" 1/4 ring nut	01/03/2008-

Page	Pos	Code	Description	Info
016	41950	37Q5220	OR 147 NBR gasket	01/03/2008-
016	41955	33Q6480	Nut	01/03/2008-
016	41960	3113650	DVGW hole gasket	01/03/2008-
016	41965	33Q6500	O10 pipe fitting 3/8x3,5 nut 19	01/03/2008-
016	41970	37Q5210	hexagonal OR 112 NBR gasket	01/03/2008-
016	41975	33Q6620	O10 rinse pipe fitting	01/03/2008-
016	41980	3111610	Rinse ramp	01/03/2008-
016	41990	37Q5170	Pipe-pass gasket	01/03/2008-