

Зип Общепит

vsezip.ru

+7(812)987-08-81



LP202

Edition 20110430-

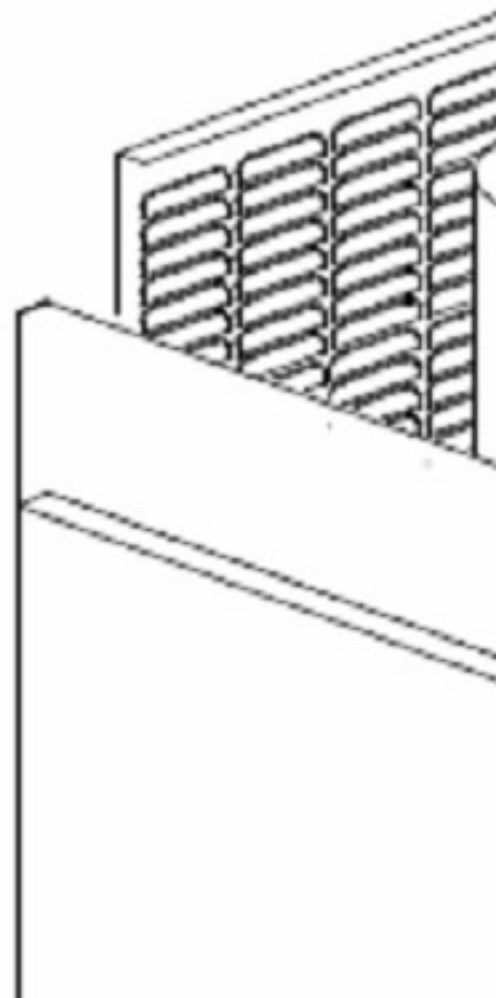
Зип Общепит

vsezip.ru

+7(812)987-08-81

450

45000



Зип Общепит

vsezip.ru

+7(812)987-08-81

Зип Общепит

vsezip.ru

+7(812)987-08-81

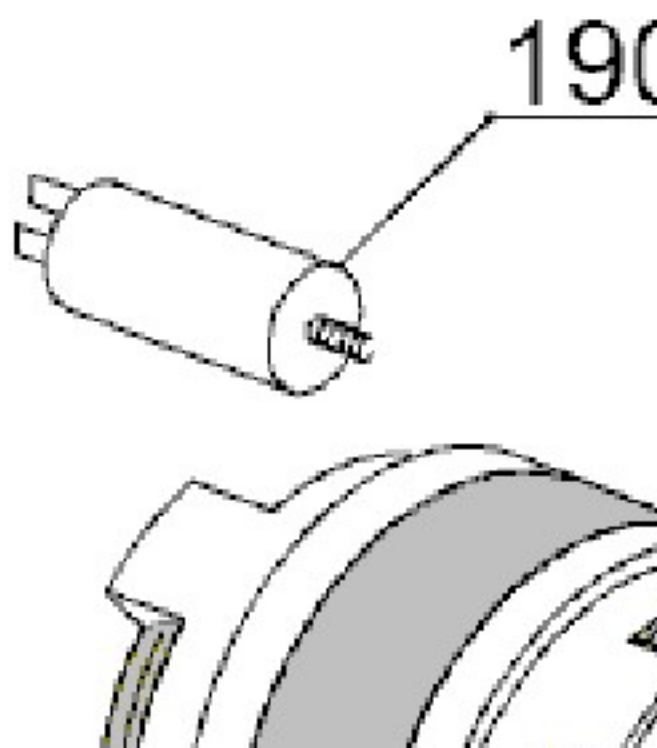


5120

Зип Общепит

vsezip.ru

+7(812)987-08-81



Зип Общепит

vsezip.ru

+7(812)987-08-81

25745

25740

25715

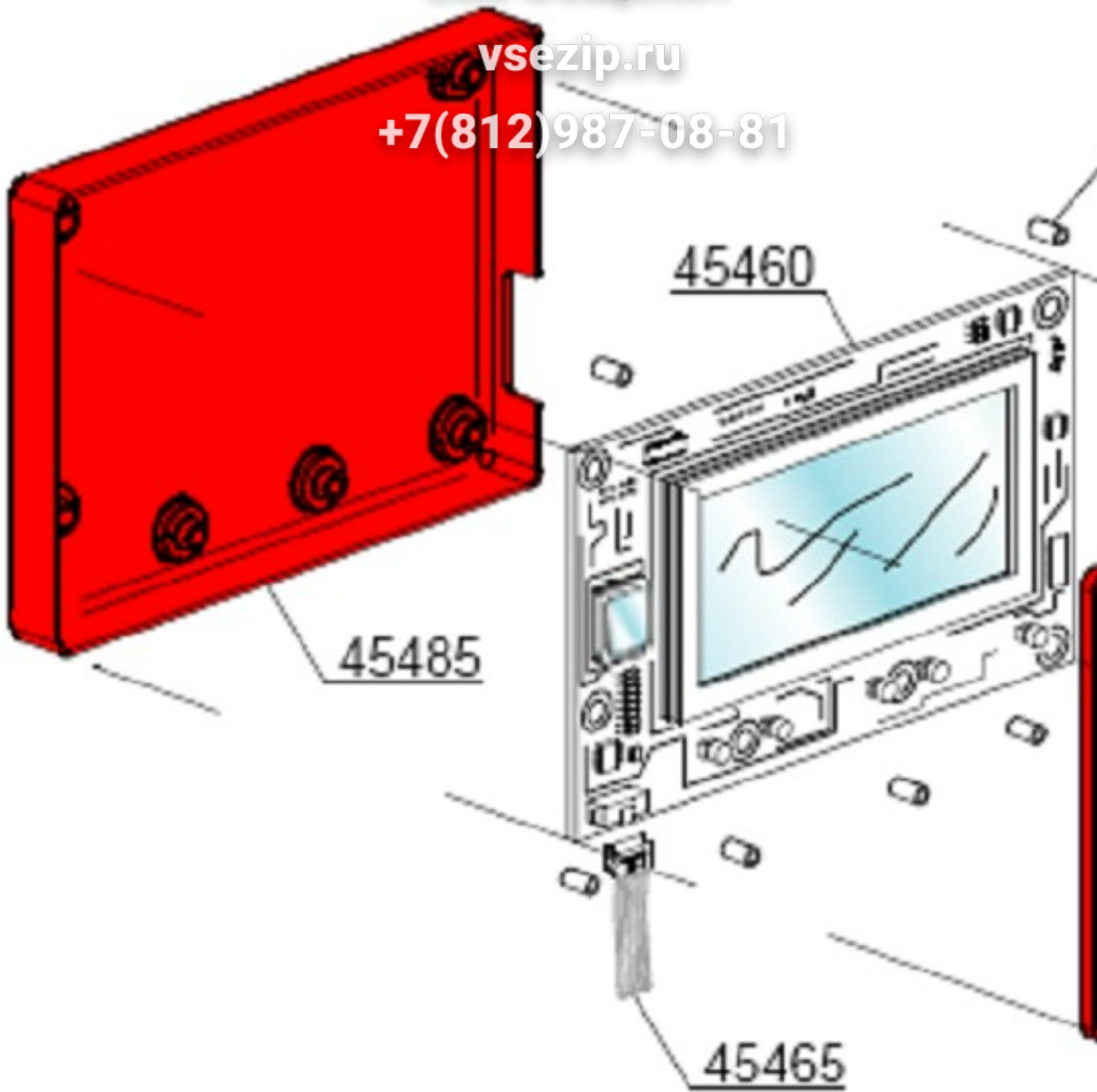
25750

25750

Зип Общепит

vsezip.ru

+7(812)987-08-81



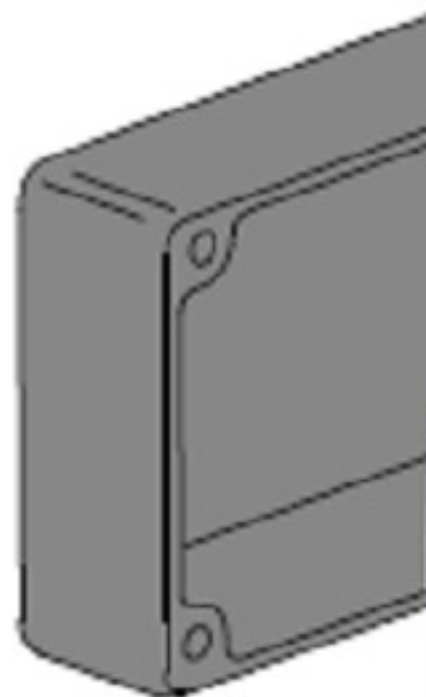
Зип Общепит

vsezip.ru

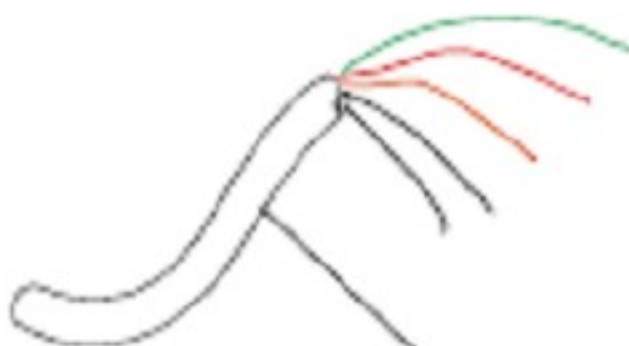
+7(812)987-08-81

04_041be

45490



45485

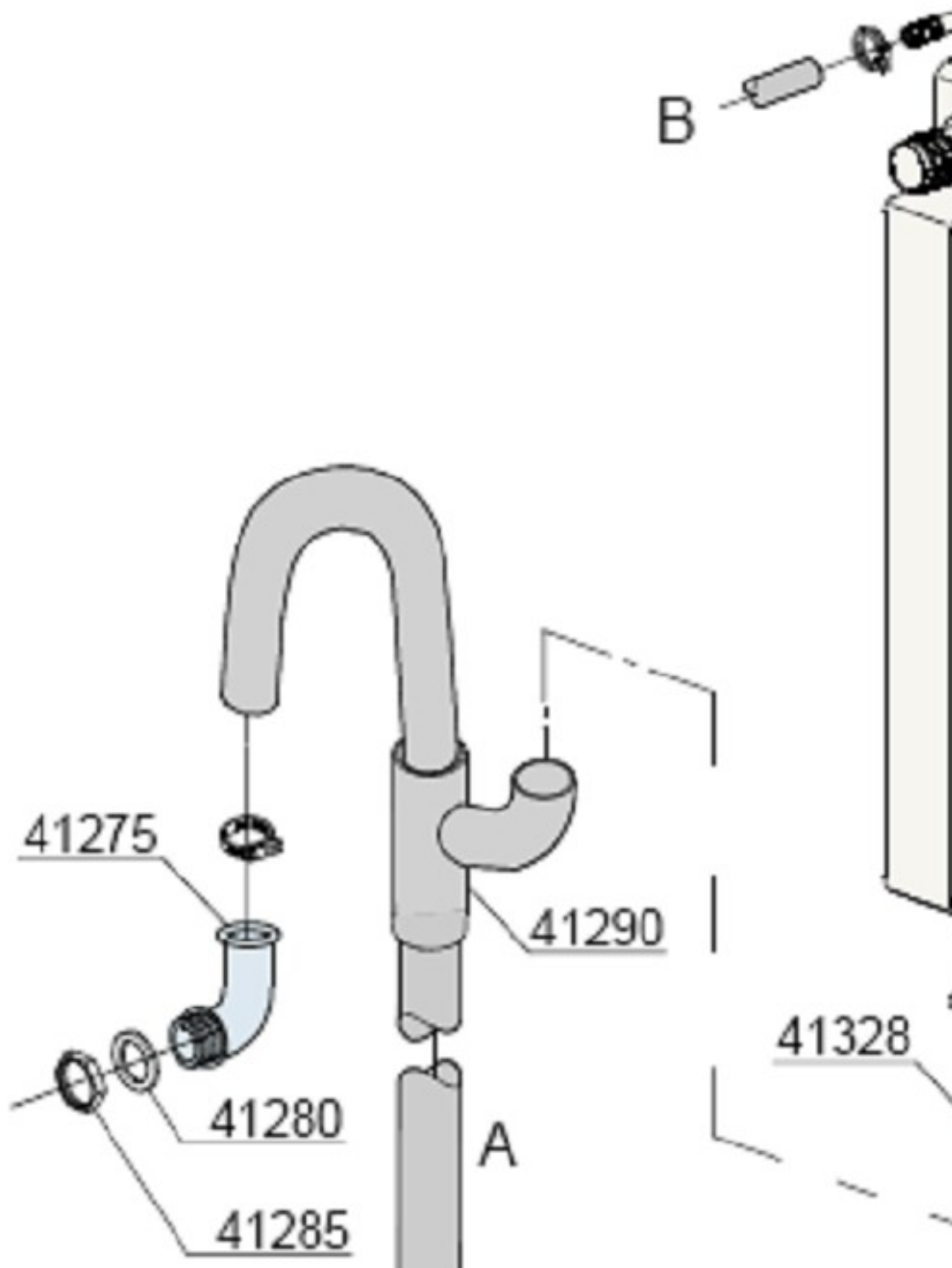


45475

Зип Общепит

vsezip.ru

+7(812)987-08-81



Зип Общепит

vsezip.ru

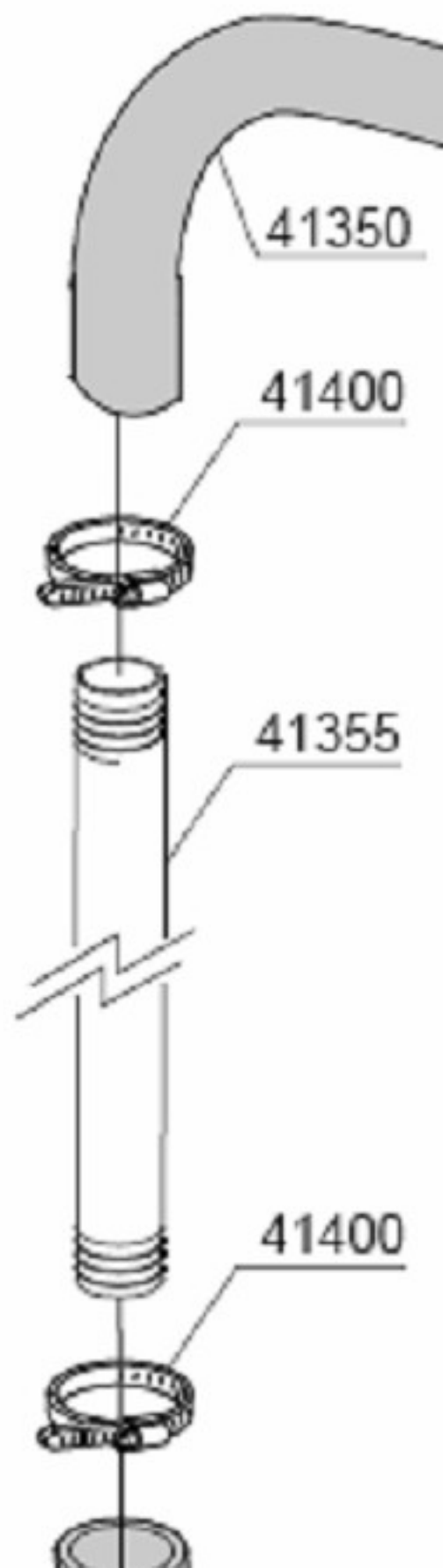
+7(812)987-08-81



Зип Общепит

vsezip.ru

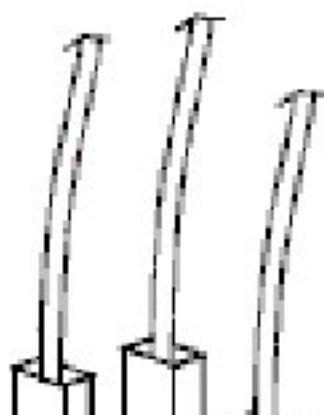
+7(812)987-08-81



Зип Общепит

vsezip.ru

+7(812)987-08-81



Зип Общепит

vsezip.ru

+7(812)987-08-81



Page	Pos	Code	Description	Info
002	45000	LP202-Pos.45000	Back panel	01/03/2008-
002	45005	LP202-Pos.45005	Body with complete door	01/03/2008-
002	45010	LP202-Pos.45010	Tank	01/03/2008-
002	45015	3009112	Support microswitch	01/03/2008-
002	45020	3176160	Door microswitch	01/03/2008-
002	45035	LP202-Pos.45035	Right lower panel	01/03/2008-
002	45040	LP202-Pos.45040	Left lower panel	01/03/2008-
002	45045	36E4180	Foot	01/03/2008-
002	45050	33Q6580	Drain elbow	01/03/2008-
002	45055	3037760	6KW heating element	01/03/2008-
002	45060	30Q3270	Filter with hole	01/03/2008-
002	45065	30Q3230	FILTER	01/03/2008-
002	45070	37Q5110	Packing to flange	01/03/2008-
002	45075	3203290	Overflow pipe tube	01/03/2008-
002	45080	3191570	End overflow pipe tube	01/03/2008-
002	45081	LP202-Pos.45081	Right splash guard	01/03/2008-
002	45082	LP202-Pos.45082	Left splash guard	01/03/2008-
002	45083	3221970	Inox rack 700x700	01/03/2008-
002	45084	37Q5260	6225 OR 160 NBR gasket	01/03/2008-
003	700	33D3260	Single solenoid valve	01/02/2007-
003	730	3140230	12/20 PIPE CLAMP	01/02/2007-
003	735	LP202-Pos.735	3/4 gasket	01/02/2007-
004	5100	3040280	DETERGENT AID PUMP SEKO/GERMAC/PLAS	01/03/2008-
004	5105	36H1500	CONT Counter-weight	01/03/2008-
004	5110	30Q3210	Small filter	01/03/2008-
004	5120	3226270	JET	01/03/2008-
004	5130	LP202-Pos.5130	Nut m12x1	01/03/2008-
004	5135	3182520	PIPE SEKO	01/03/2008-
004	5140	3040280	DETERGENT AID PUMP SEKO/GERMAC/PLAS CONT	01/03/2008-
004	5145	3182530	Ø8 Germac thermoplastic pipe	01/03/2008-
004	5150	LP202-Pos.5150	Ø10 PLAS CONT thermoplastic pipe	01/03/2008-
004	5155	3040280	DETERGENT AID PUMP SEKO/GERMAC/PLAS CONT	01/03/2008-
004	5160	LP202-Pos.5160	LANG detergent pump	01/03/2008-
005	1900	3027960	Pump support	01/03/2008-
005	1905	32V7010	5 uF condenser	01/03/2008-
005	1910	3019090	DRAIN PUMP	01/03/2008-
005	1915	3223050	25/40 clamp	01/03/2008-
005	1920	LP202-Pos.1920	20/32 clamp	01/03/2008-
005	1930	3027970	Drain coude/pump connection pipe	01/03/2008-
006	25700	LP202-Pos.25700	Door with steel handle	01/03/2008-
006	25710	LP202-Pos.25710	Upper door	01/03/2008-
006	25715	LP202-Pos.25715	Door rod pin	01/03/2008-
006	25720	LP202-Pos.25720	Door rod	01/03/2008-
006	25725	LP202-Pos.25725	Door hinge	01/03/2008-
006	25730	LP202-Pos.25730	Pin for door	01/03/2008-
006	25735	3210010	Reed magnet	01/03/2008-
006	25740	LP202-Pos.25740	Nut	01/03/2008-
006	25745	LP202-Pos.25745	Slide for door	01/03/2008-
006	25750	LP202-Pos.25750	Ø6x12 Plain washer	01/03/2008-

Page	Pos	Code	Description	Info
006	25755	LP202-Pos.25755	Ø 5 Plain washer	01/03/2008-
006	25760	LP202-Pos.25760	M5 inox-nut	01/03/2008-
006	25765	LP202-Pos.25765	Door movement support	01/03/2008-
006	25770	3223710	Ø8 stainless steel snap ring	01/03/2008-
006	25775	LP202-Pos.25775	M6x16 stainless steel screw	01/03/2008-
006	25780	LP202-Pos.25780	Stainless steel handle	01/03/2008-
007	45450	LP202-Pos.45450	Control panel	30/04/2011-
007	45455	3244150	Silkscreen processed grill membrane push button-	30/04/2011-
007	45460	3227940	Complet push button- driver	30/04/2011-
007	45465	3210410	Plug	30/04/2011-
007	45470	3206680	Board spacer	30/04/2011-
007	45475	3273150	Gaskets for protective cover	30/04/2011-
007	45480	3273160	Protective cover for	30/04/2011-
007	45485	3273170	board	30/04/2011-
008	45470	LP202-Pos.45470	Electrical control panell	30/04/2011-
008	45475	LP202-Pos.45475	Power supply cable anti-flame 4x6x3400	30/04/2011-
008	45475	LP202-Pos.45475	5x4x3400 cable	30/04/2011-
008	45485	3209590	Main board	30/04/2011-
008	45485	3229020	Main board (Steam version)	30/04/2011-
008	45490	3099210	Temperature probe set	30/04/2011-
008	45495	32V7020	Low noise filter	30/04/2011-
008	45496	LP202-Pos.45496	Low noise filter 440V-3	30/04/2011-
008	45500	LP202-Pos.45500	O46 mm fairlead	30/04/2011-
008	45505	32V7260	SAFETY THERMOSTAT	30/04/2011-
008	45510	32D1850	Cable-fastener with screw	30/04/2011-
008	45515	LP202-Pos.45515	16mm2 SC-16 yellow/green terminal	30/04/2011-
008	45520	LP202-Pos.45520	Blu neutral terminal	30/04/2011-
008	45525	32V7200	25A/12A remote control switch	30/04/2011-
008	45530	32V7160	3NA/1NC remote control switch	30/04/2011-
008	45531	32V7170	Remote control switch 230V 50/	30/04/2011-
008	45535	LP202-Pos.45535	Transparent protection for members electr. workes	30/04/2011-
008	45540	LP202-Pos.45540	0,85 - 1,3 A GE temperature relay / 230V-3	30/04/2011-
008	45540	LP202-Pos.45540	0,26 - 0,43 A GE temperature relay	30/04/2011-
008	45545	LP202-Pos.45545	0,85 - 1,3 A GE temperature relay / 230V-3	30/04/2011-
008	45550	LP202-Pos.45550	7,5 -10,5 A GE temperature relay	30/04/2011-
008	45550	LP202-Pos.45550	10 -16 A GE temperature relay / 230V-3	30/04/2011-
008	45555	3024910	RELAY	30/04/2011-
008	45556	32V7090	Relay	30/04/2011-
008	45560	3006082	Terminal 16mm2 SL-16	30/04/2011-
008	45565	LP202-Pos.45565	Contact AUX 1 NO	30/04/2011-
008	45570	LP202-Pos.45570	5x10 Fuse holder	30/04/2011-
008	45575	LP202-Pos.45575	5x20 10A Fuse	30/04/2011-
008	45580	LP202-Pos.45580	0-230V 160/230/400/415/440V	30/04/2011-
009	41250	3055420	3,5 L Break tank assembly	01/03/2008-
009	41255	3051300	RUBBER PIPE PVC WRAS	01/03/2008-
009	41265	32V7060	47-27 pressure switch	01/03/2008-
009	41270	LP202-Pos.41270	Derivazione 3 vie plastica Ø12mm	01/03/2008-
009	41275	3030150	Drain elbow	01/03/2008-
009	41280	3030160	44x32x3 drain elbow gasket	01/03/2008-

Page	Pos	Code	Description	Info
009	41285	3030170	Stainless steel nut	01/03/2008-
009	41290	3270200	Muff of emergency	01/03/2008-
009	41295	LP202-Pos.41295	Insulation boiler 600x500	01/03/2008-
009	41300	LP202-Pos.41300	Ø190x3 end piece	01/03/2008-
009	41305	3229070	Atmospheric Boiler AISI 316	01/03/2008-
009	41310	32G3410	9KW heating element	01/03/2008-
009	41315	3092720	Booster pump 220/240V - body p	01/03/2008-
009	41320	32V7010	5 uF condenser	01/03/2008-
009	41321	3245750	Ø12 mm plastic 3 ways connection	01/03/2008-
009	41322	3190320	Scroll	01/03/2008-
009	41323	3028350	Rotating seals	01/03/2008-
009	41324	3028360	O RING	01/03/2008-
009	41325	3028370	Pump rotor	01/03/2008-
009	41326	37Q5260	6225 OR 160 NBR gasket	01/03/2008-
009	41328	LP202-Pos.41328	REINFORCEMENT	01/03/2008-
009	41329	35E8870	Heating element guard	01/03/2008-
010	45155	LP202-Pos.45155	Spring	01/03/2008-
010	45160	LP202-Pos.45160	Disc to membrane	01/03/2008-
010	45165	LP202-Pos.45165	Membrane	01/03/2008-
010	45175	33Q6610	O10 rubber-holder	01/03/2008-
010	45180	LP202-Pos.45180	Pipe fitting	01/03/2008-
010	45185	LP202-Pos.45185	OR-gasket	01/03/2008-
010	45190	LP202-Pos.45190	Silicone valve	01/03/2008-
010	45195	LP202-Pos.45195	OR-gasket	01/03/2008-
010	45200	LP202-Pos.45200	Sphere made of Teflon	01/03/2008-
010	45205	LP202-Pos.45205	Brass pipe fitting	01/03/2008-
010	45210	LP202-Pos.45210	OR-gasket Guide valve	01/03/2008-
010	45220	30Q3210	Small filter	01/03/2008-
010	45225	3024170	GERMAC rinse aid dispenser	01/03/2008-
010	45231	LP202-Pos.45231	Ø12-12-10 plastic 3 ways connection	01/03/2008-
010	45232	3140230	12/20 PIPE CLAMP	01/03/2008-
011	41350	3273530	Top delivery pipe	01/03/2008-
011	41355	LP202-Pos.41355	Wash ramp	01/03/2008-
011	41360	3273530	Top delivery pipe	01/03/2008-
011	41365	3273540	Suction elbow	01/03/2008-
011	41370	32M6940	PUMP	01/03/2008-
011	41375	3273550	Lower delivery wash pipe	01/03/2008-
011	41380	3242240	Lower / Upper turret	01/03/2008-
011	41385	LP202-Pos.41385	Pump support hanger	01/03/2008-
011	41390	3140200	PIPE CLAMP 60-80	01/03/2008-
011	41395	LP202-Pos.41395	50/70 clamp	01/03/2008-
011	41400	LP202-Pos.41400	40/60 clamp	01/03/2008-
011	41401	3036790	ROTATING SEALS	01/03/2008-
011	41402	3054680	IMPELLER 2HP	01/03/2008-
011	41403	3054670	OR 1225 gasket	01/03/2008-
011	41404	3076590	Scroll	01/03/2008-
012	2100	32V7050	260-30 pressure switch	01/03/2008-
012	2105	3187500	Air trap assembly	01/03/2008-
012	2110	37Q5130	Gasket	01/03/2008-
012	2115	33Q6470	M8 stainless steel nut	01/03/2008-
012	2116	3036160	4,5X9 EPDM rubber pipe	01/03/2008-

Page	Pos	Code	Description	Info
013	41420	3270110	Upper/lower wash rotor	01/03/2008-
013	41425	3023610	O-ring 131 (4093)	01/03/2008-
013	41430	3028890	Plug	01/03/2008-
013	41435	33Q6590	Hub for rotor	01/03/2008-
013	41440	33Q6490	Nut for hub	01/03/2008-
013	41445	3242240	Lower / Upper turret	01/03/2008-
013	41450	37Q5100	95x75x3 gasket	01/03/2008-
013	41455	3206630	Turret fixing hub	01/03/2008-
013	41465	3244650	Top rinse axle	01/03/2008-
013	41470	3188080	Top/lower rinse arm	01/03/2008-
013	41475	3036730	complete Rinse screw	01/03/2008-
013	41480	3036720	Rinse axle	01/03/2008-
013	41485	3052320	Rinse rotor	01/03/2008-
013	41490	3236520	RIGHT RINSE TUBE STEEL NOZZLE	01/03/2008-
013	41495	3236530	LEFT RINSE TUBE STEEL NOZZLE	01/03/2008-
013	41500	33T4590	Stainless steel rinse nozzle	01/03/2008-
013	41505	36Q2090	Rinse arm plug	01/03/2008-
013	41506	3174870	Sliding washer	01/03/2008-