

Зип Общепит

vsezip.ru

+7(812)987-08-81



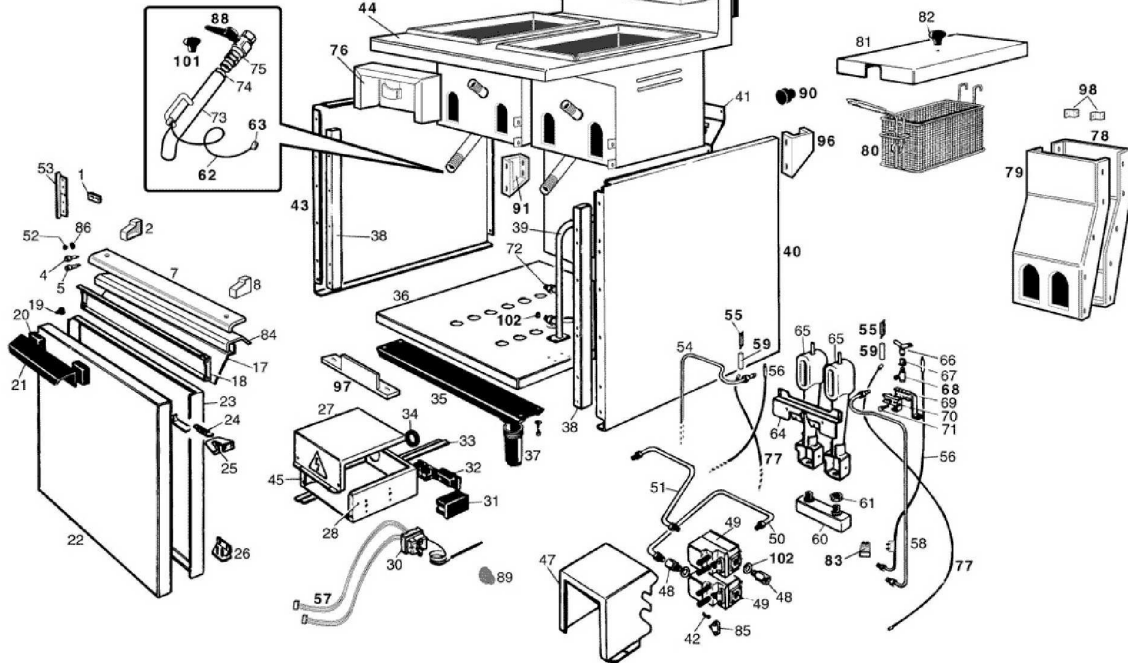
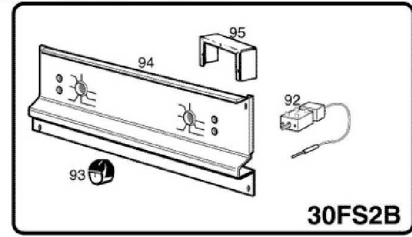
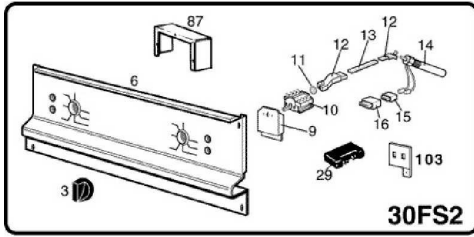
30FS2

Edition 20081204-

Зип Ощепит

vsezip.ru

+7(812)987-08-81



Pos	Code	Description	Info
001	35T9650	FLAT BRACKET	01/11/1995-
002	36D3430	LH END SIDE	01/11/1995-
003	36M2400	ELECTRIC CONTROL KNOB	01/11/1995-
004	3106710	GREEN LIGHT 230V	23/05/2007-
005	3106730	ORANGE LIGHT 230V	23/05/2007-
006	3AA0910	UPPER CONTROL BOARD	01/11/1995-
007	35S5090	BRACKET	01/11/1995-
008	36D3420	RH END SIDE	01/11/1995-
009	35S6751	SUPPORT 030FE1	01/11/1995-
010	32W2550	SWITCH	01/11/1995-
011	3121480	WASHER Ø12.5 Ø6.4 = 1.6	01/11/1995-
012	36G5260	CARDAN JOINT 030FE1	01/11/1995-
013	36D6970	PIN 030FE1	01/11/1995-
014	6300359	DEVICE THERMOST.	01/11/1995-
015	171WR01	JUNCTION BOX	01/11/1995-
016	170WR01	JUNCTION BOX	01/11/1995-
017	35Q5950	HEAT SHIELD	01/11/1995-
018	35Q5251	GUARD	01/11/1995-
019	36D6860	FOOT	01/11/1995-
020	36M3720	SPACER	01/11/1995-
021	36M3900	HANDLE	01/11/1995-
022	35G4220	DOOR	01/11/1995-
023	3AG0120	INNER DOOR FRAME	01/11/1995-
024	36G5240	ASS.Y SPRING	01/11/1995-
025	36M2541	RH UPPER HINGE	01/11/1995-
026	36M2500	RH LOWER HINGE ASS. Y	01/11/1995-
027	35G5950	EL. BOX COVER	01/11/1995-
028	35Q7021	RH EL. BOX	01/11/1995-
029	32Z5500	BOUNCE CONTROL	01/11/1995-
030	32Z5612	SAFETY THERMOSTAT	04/12/2008-
031	32T0210	SPARK IGNITION DEVICE	20/03/2001-
032	32D0380	TERMINAL BOARD	01/11/1995-
033	35S6730	GUIDE	01/11/1995-
034	32X0120	GROMMETØ 21	01/11/1995-
035	30T0030	FOOT HOUSING ASS. Y	01/11/1995-
036	35M6561	BOTTOM PLATE	01/11/1995-
037	36D4000	ADJUSTABLE FOOT	01/11/1995-
038	35B4381	VERT. UP RIGHT	01/11/1995-
039	3AZ0030	GAS MANIFOLD ASS. Y	01/11/1995-
040	35C0580	RH PANEL	01/11/1995-
041	35B2391	REAR PANEL	01/11/1995-
042	36G3690	SPRING	01/11/1995-
043	35C0530	LH PANEL	01/11/1995-
044	30M0390	GAS TOP C/WELL ASS. Y	01/11/1995-
045	35Q7010	LH EL. BOX	01/11/1995-
046	35B2330	FLUE COVERING	01/11/1995-
047	35Q6290	GAS VALVE PROTECTION	01/11/1995-
048	33Q2571	"REDUCTION MF 3/8""-1/2"""	22/07/2004-
049	33A0590	"GAS VALVE 1/2"""	01/11/1995-
050	35X0130	BURNER PIPE	01/11/1995-
051	35X0170	BURNER PIPE	01/11/1995-

Pos	Code	Description	Info
052	3170290	KNOB SPRING	01/11/1995-
053	35S7270	PANEL PROTECTION	01/11/1995-
054	35X0400	PILOT LIGHT PIPE	01/11/1995-
055	32T0010	IGNITION PLUG	01/11/1995-
056	6021770	INTERRUPTED THERMOC.	01/06/2001-
057	32A0780	M9X1X1000 CAB CABLE	01/11/1995-
058	35X0350	PILOT LIGHT PIPE	01/11/1995-
059	131AA46	HOSE 8'X40	01/11/1995-
060	30Z7531	GAS MANIFOLD	01/12/1997-
061	36Q1110	LOCK NUT 3/8"	01/11/1995-
062	3100200	CABLE Ø 1.2	01/11/1995-
063	3100210	TERMINAL BOARD	01/11/1995-
064	35S5540	BURNER SUPPORT	01/11/1995-
065	34A1670	VERTICAL BURNER	01/11/1995-
066	32Z2241	2 FLAMES BURNER	01/11/1995-
067	33A0970	RING NUT	01/11/1995-
068	33A2900	PILOT BURNER BODY	01/11/1995-
069	35S5080	SUPPORT	01/11/1995-
070	33A0950	REAR BRACKET	01/11/1995-
071	31M7080	SCREW	01/11/1995-
072	36Q0710	BICONE SCREW Ø 12	01/11/1995-
073	3AZ0090	DRAIN PIPE ASS. Y	01/11/1995-
074	3150690	"O" RING	01/02/2006-
075	33D1770	BALL VALVE	01/11/1995-
076	35Q4442	BURNER HOUSING	01/11/1995-
077	32A0390	CABLE "HF" 1200MM	01/11/1995-
078	35D4371	HALF FLUE REAR PLATE	01/11/1995-
079	35D4361	HALF FLUE FRONT PLATE	01/11/1995-
080	36A3481	BASKET 300X200X115	01/11/1995-
081	35G8990	WELL LID	26/09/2000-
082	36M2130	HANDLE	01/11/1995-
083	32D1450	TERMINAL	31/01/2003-
084	35Q5600	HEAT SHIELD	01/11/1995-
085	33A0020	COMPL. VALVE	01/11/1995-
086	3150790	THERMOSTAT PROTECT.	01/11/1995-
087	35Q7800	LIGHT PROTECTION 30F1B	05/07/2000-
088	35G7250	RH COCK HANDLE	26/07/2005-
089	37Q3270	SWITCH COVER	01/11/1995-
090	36Q1410	CAP	01/11/1995-
091	35Q8290	LEFT HAND PANEL	01/11/1995-
096	35Q8300	RIGHT HAND PANEL	01/11/1995-
097	35S6720	GUIDE EL. BOX SUPPORT	01/11/1995-
098	35T7200	"Z" BRACKET	01/11/1995-
099	35X3340	SPACER PIPE	01/11/1995-
100	3600220	FLUE GUARD	01/11/1995-
101	36M5430	HANDLE	01/11/1995-
102	36Q0030	BICONE Ø12X8	01/11/1995-
103	35S0590	"Z" BRACKET	01/11/1995-
104	32Q2751	EL. CABLES	20/03/2001-
105	32Q3531	EL. CABLES	20/03/2001-