

Зип Общепит

vsezip.ru

+7(812)987-08-81



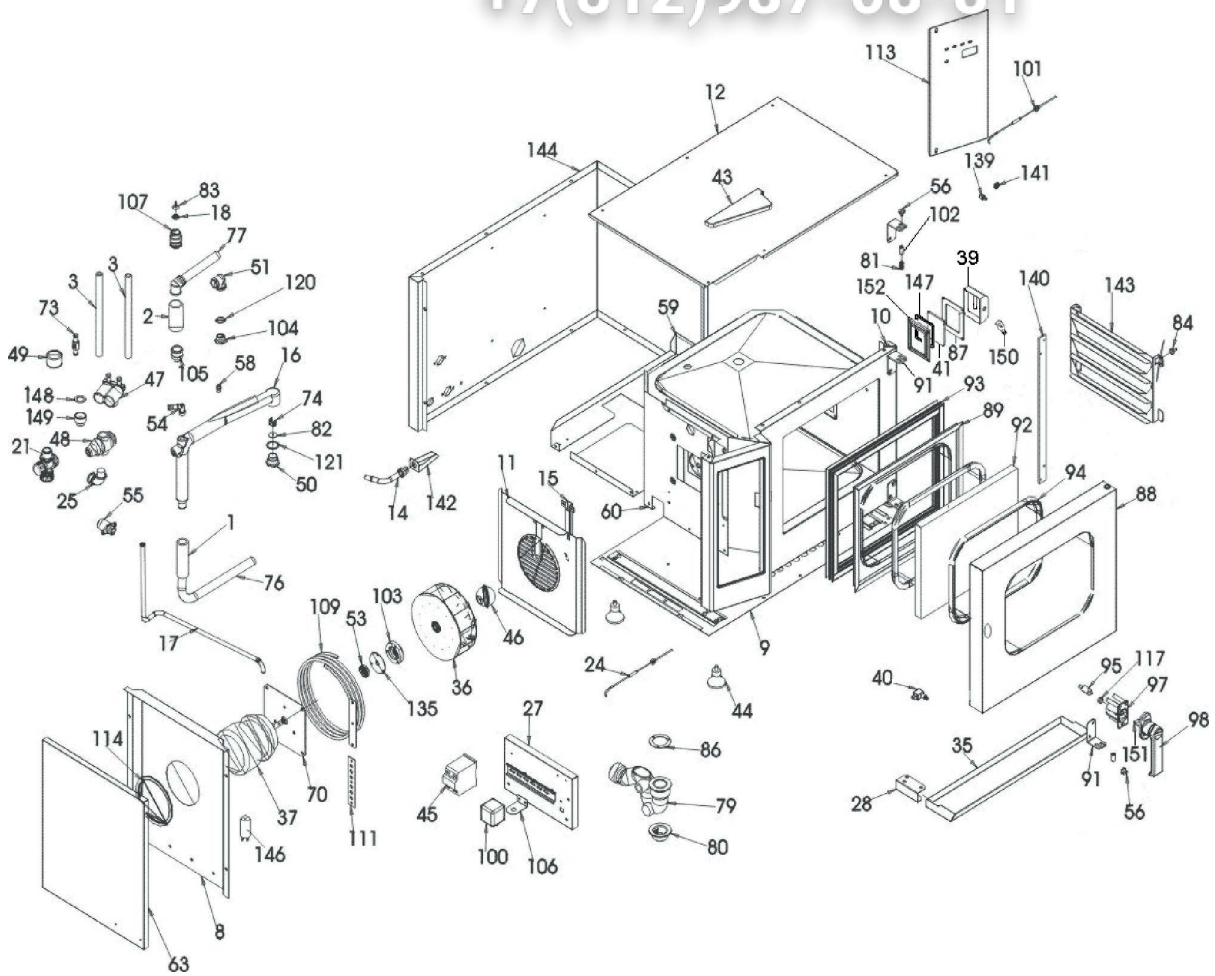
FCV4E

Edition 20141007-

Зип Общепит

vsezip.ru

+7(812)987-08-81



Pos	Code	Description	Info
001	111AA05	RUBBER HOSE Ø30 Ø20	01/03/1996-
002	131AA23	RUBBER HOSE Ø35 Ø28	01/03/1996-
003	131AA12	RUBBER HOSE Ø17 Ø10 X H ² O	01/03/1996-
004	137AA15	X H ² O GASKET	01/03/1996-
006	32Z6100	FILTER	24/02/1997-
007	32Z6090	FILTER	01/03/1996-
008	35Q8320	GUARD ASS.Y	01/03/1996-
009	30T6042	FOOT HOLDER ASS.Y	24/02/1997-
010	30D6251	COOKING CHAMBER	24/09/2004-
011	30T3580	CONVEYOR ASS.Y	22/03/1999-
012	35G7100	OVEN COVER	01/03/1996-
014	30Z2160	WATER INLET PIPE ASS.Y	22/03/1999-
015	30Z2170	END PIPE, COMPLETE	22/03/1999-
016	36A3771	STEAM DRAIN PIPE	15/10/2010-
017	35X1970	LOWER DRAIN PIPE	01/03/1996-
018	36G6750	RING NUT	01/03/1996-
019	32D1740	TERMINAL	24/01/2002-
021	33Q4860	H ₂ O FILTER	19/07/2001-
022	3140230	12/20 PIPE CLAMP	01/03/1996-
023	32X0320	FASTON M.C	01/03/1996-
024	32Z6780	PT100 PROBE	01/03/1996-
025	33Q0570	ELBOW MF 1/2	01/03/1996-
026	35V2540	MICROSWITCH GUARD	01/03/1996-
027	35V2552	SUPPORTING ELEM.	07/09/1999-
028	35V2890	TRAY SUPPORT	01/03/1996-
029	3201540	FUSE 5X20	01/03/1996-
030	32D0870	TERMINAL CLAMP	01/03/1996-
031	32D0840	LIVE TERMINAL	01/03/1996-
032	32D0860	GROUND TERMINAL	01/03/1996-
033	32D0850	TERMINAL	01/03/1996-
034	32D1730	FUSE TERMINAL BOARD	24/01/2002-
035	35W4400	TRAY	01/03/1996-
036	32M4271	FAN	09/06/1998-
037	32M4260	MOTOR	01/03/1996-
039	3097180	ASSEMBLY LAMP HOLDER	16/02/2007-
040	32W3340	MICROSWITCH	30/08/1999-
041	3036962	GLASS	07/08/2012-
042	3151441	WASHER Ø22 Ø16.2=1.5 CU	14/10/1998-
043	36D1900	CONTROL BOARD INSUL. PANEL	01/03/1996-
044	36D5690	ADJUSTABLE FOOT	01/03/1996-
045	32Z2531	RELAY 240V-50/60HZ	31/12/1997-
045	3100910	RELAY 220/230V- 50/60Hz	01/01/2008-
045	3100910	RELAY 220/230V- 50/60Hz	01/01/2008-
046	30Z0470	SPRAYER BALL	01/03/1996-
047	33D1641	SOLENOID VALVE 50/60HZ	01/03/1996-
048	33D1650	"PRES. REDUC. VAL. F-F Ø 1/2""	01/03/1996-
049	33D1680	MANOMETRE 0-40BAR M1/8	01/03/1996-
050	33Q6140	VALVE CONNECTOR	01/03/1996-
051	33Q6120	ELBOW 1/2"	01/03/1996-
052	33Q5450	DEPRES. CONNECTOR	01/03/1996-
053	3111000	MOTOR BEARING	23/04/2007-

Pos	Code	Description	Info
054	33Q5592	NOZZLE SUPPORT. ELBOW	01/03/1996-
055	33Q5641	ENTRY CONNECTOR H2O	01/03/1996-
056	3190020	SCREW M6X10	01/03/1996-
057	37Q7440	INSULATING PANEL	01/03/1996-
058	33T4110	NOZZLE	01/03/1996-
059	35C9710	INSULATION PANEL COVER	22/03/1999-
060	35B7401	INSULATION PANEL COVER	22/03/1999-
061	37Q7450	INSULATING PANEL	01/03/1996-
063	35C0870	SIDE PANEL	22/03/1999-
064	37Q0660	INSULATING PANEL	01/03/1996-
065	35Q7830	FILTER	01/03/1996-
066	37Q0670	INSULATING PANEL	01/03/1996-
067	37Q7480	INSULATING PANEL	01/03/1996-
068	35S5900	FILTER SUPPORT	01/03/1996-
069	37Q7490	INSULATING PANEL	01/03/1996-
070	35V2180	FLAT BRACKET	01/03/1996-
072	37Q7500	INSULATING PANEL	01/03/1996-
073	33Q5900	CONNECTOR FL 4	01/03/1996-
074	35V2150	"U" BRACKET	01/03/1996-
075	32D0890	COCK MF 1"	01/03/1996-
076	35X1960	DRAIN PIPE	01/03/1996-
077	35X1670	PIPE	01/03/1996-
078	32D0191	FAIRLEAD	22/03/1999-
079	36A3760	DRAIN H37 MMH20	01/03/1996-
080	36A3400	DRAIN	01/03/1996-
081	36G5320	SPRING	01/03/1996-
082	36G6770	COUNTERWEIGHT	01/03/1996-
083	36G6740	COUNTERWEIGHT	01/03/1996-
085	36Q1171	LOCKNUT M16X1.5	01/03/1996-
086	37Q3011	GASKET	01/03/1996-
087	36E3170	LAMP GASKET	24/09/2004-
088	30G3960	OVEN DOOR	11/10/2000-
089	35G7050	OVEN COUNTER DOOR	01/03/1996-
091	36M4122	DOOR HINGE	14/11/2000-
092	37M4961	OUTSIDE GLASS	01/03/1996-
093	37Q4980	DOOR GASKET	17/03/2003-
094	37Q7401	GASKET	10/02/2000-
095	3238750	PIN	05/03/2014-
097	36E2060	GUARD	10/11/2000-
098	36M7000	HANDLE	11/10/2000-
099	32Z7130	RELAY 240V-50HZ	01/03/1996-
100	32Z6790	SAFETY THERMOSTAT	01/03/1996-
101	32Z6191	TEMP.PROBE PT100	01/03/1996-
102	36D7062	PIN	07/10/2014-
103	33Q6320	RING SUPPORT	01/03/1996-
104	33Q6130	RING NUT	01/03/1996-
105	33Q5650	SOCKET F3/4 M1/2	26/01/2007-
106	35S6361	Ø30X25 "L" SHAPED BAR	29/04/1996-
107	33Q6250	CONNECTOR	01/03/1996-
108	3190020	SCREW M6X10	17/09/1999-
109	32G1940	HEATING EL.	01/03/1996-

Pos	Code	Description	Info
110	35S6361	L" SHAPED BAR	29/04/1996-
111	37Q3220	GASKET	01/03/1996-
112	35Q6360	THERMORES. PROTECTION	01/03/1996-
113	32Z6622	P.C.B.	05/09/2003-
115	3128780	WASHER	01/03/1996-
116	31C0090	SCREW M5X60	04/04/2001-
117	36E2490	GUARD	11/10/2000-
118	3140300	HOSE CLAMP	10/01/1997-
119	3140300	HOSE CLAMP	01/03/1996-
120	3151720	WASHER	01/03/1996-
121	3151730	GASKET	01/03/1996-
124	32D0200	LOCK NUT PG16	01/03/1996-
127	35S0590	"Z" BRACKET	01/03/1996-
128	35V6650	"OMEGA" BRACKET	01/03/1996-
131	35V9300	SUPPORT	01/03/1996-
132	35X2960	DOOR DRAIN PIPE	01/03/1996-
133	36Q0080	BICONE Ø 10X6.5	01/03/1996-
134	36Q0140	BICONE NUT Ø 10	01/03/1996-
135	37Q0250	GASKET	01/03/1996-
136	32Q4890	EL. CABLES	30/08/1999-
137	3151441	WASHER Ø22Ø16.2=1.5 CU	22/03/1999-
138	3152360	WASHER 3/8" 3/8" Ø22-Ø17.2=1.5 CU/NI	22/03/1999-
139	36D8492	FEELER SUPPORT	22/03/1999-
140	35V2230	PLATE	14/11/2000-
141	36Q0550	LOCK NUT M12X1.5	22/03/1999-
142	35Y0830	"WATER INLET ""U"" PROFILE"	22/03/1999-
143	35Y0890	RH FRAME ASS. Y	22/03/1999-
144	35C9550	BACK PANEL	22/03/1999-
145	35Y1450	PROTECTION	07/09/1999-
146	32V6190	CONDENSER 2,5µF 400V	01/03/1996-
148	37Q2840	GASKET	26/01/2007-
149	3051370	SLEEVE F3/4 M1/2	26/01/2007-
150	32W0210	OVEN LAMP 25 W	16/02/2007-
151	3236250	SPRING	01/03/1996-
152	3159800	LAMP GUARD	28/10/2008-