

Зип Общепит

vsezip.ru

+7(812)987-08-81



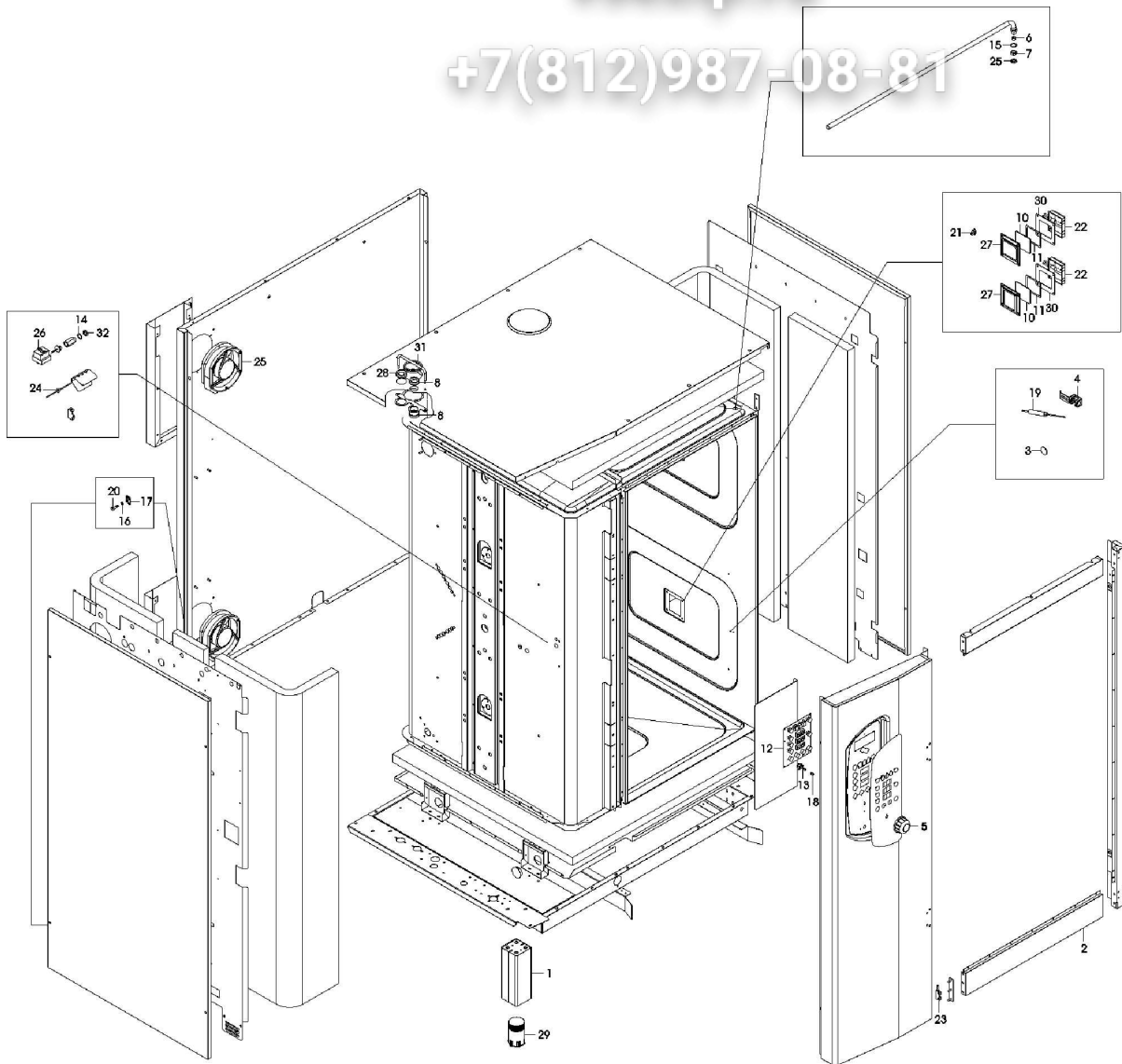
**FM2021E2-  
VERS.2006**

**Edition 20150213-**

Зип Общепит

vsezip.ru

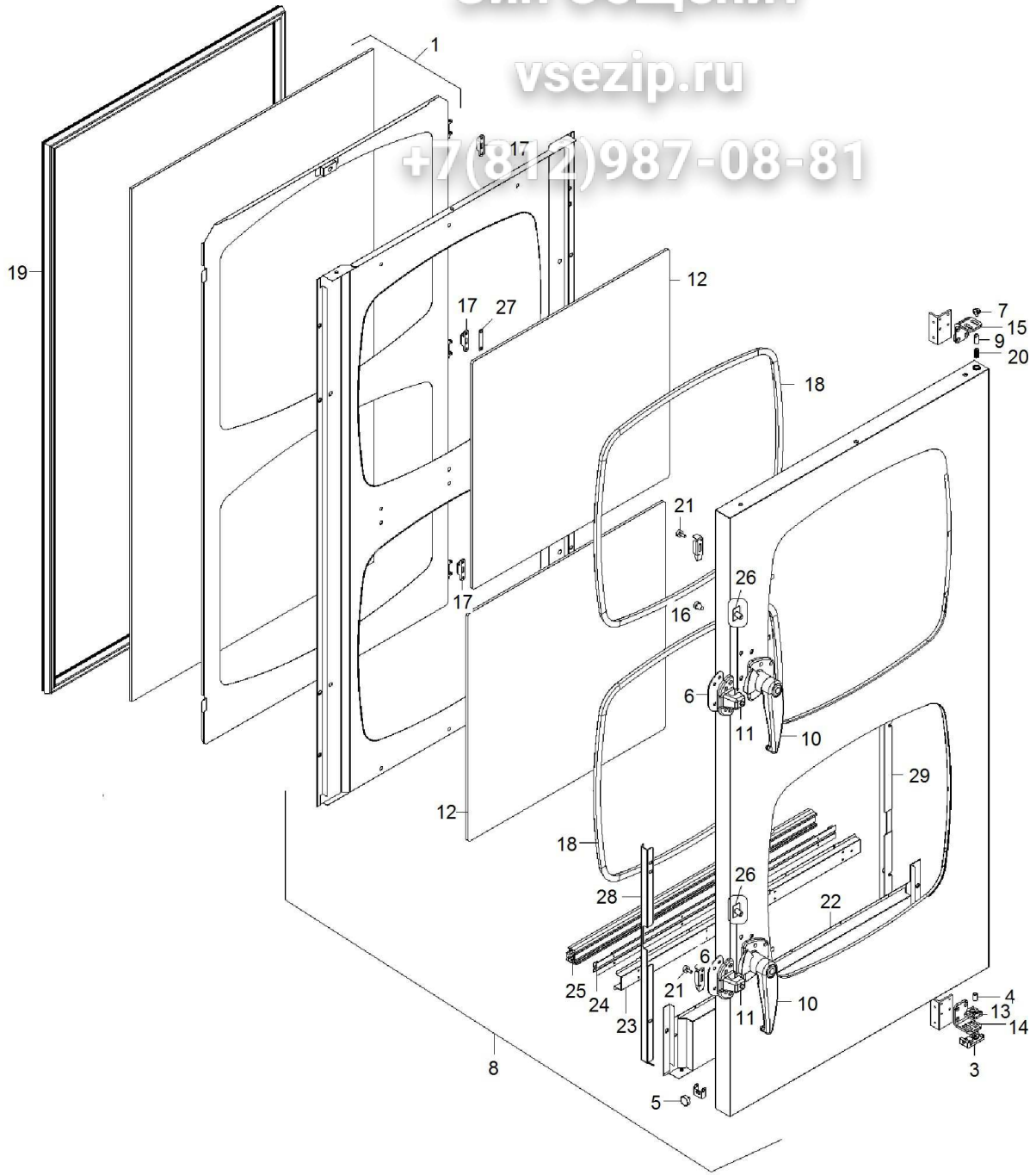
+7(812)987-08-81



Зип Ощепит

vsezip.ru

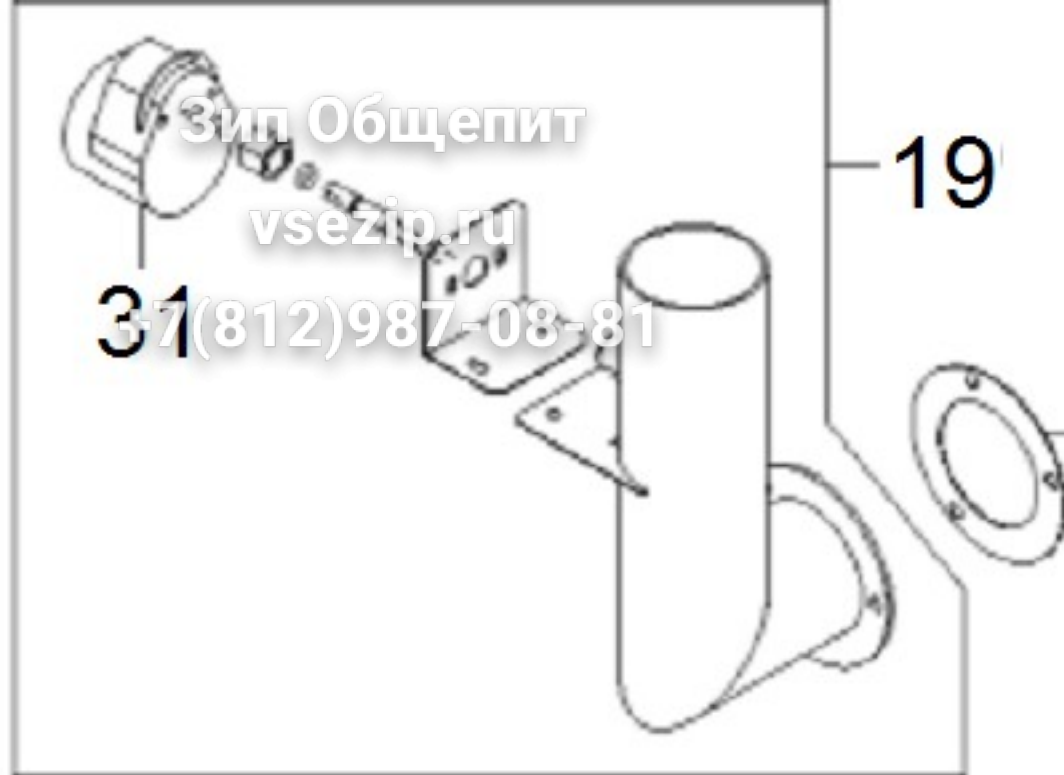
+7(812)987-08-81



28



26



31

Зип Общепит

vsezip.ru

37(812)987-08-81

19

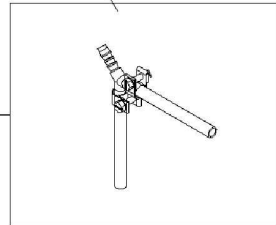
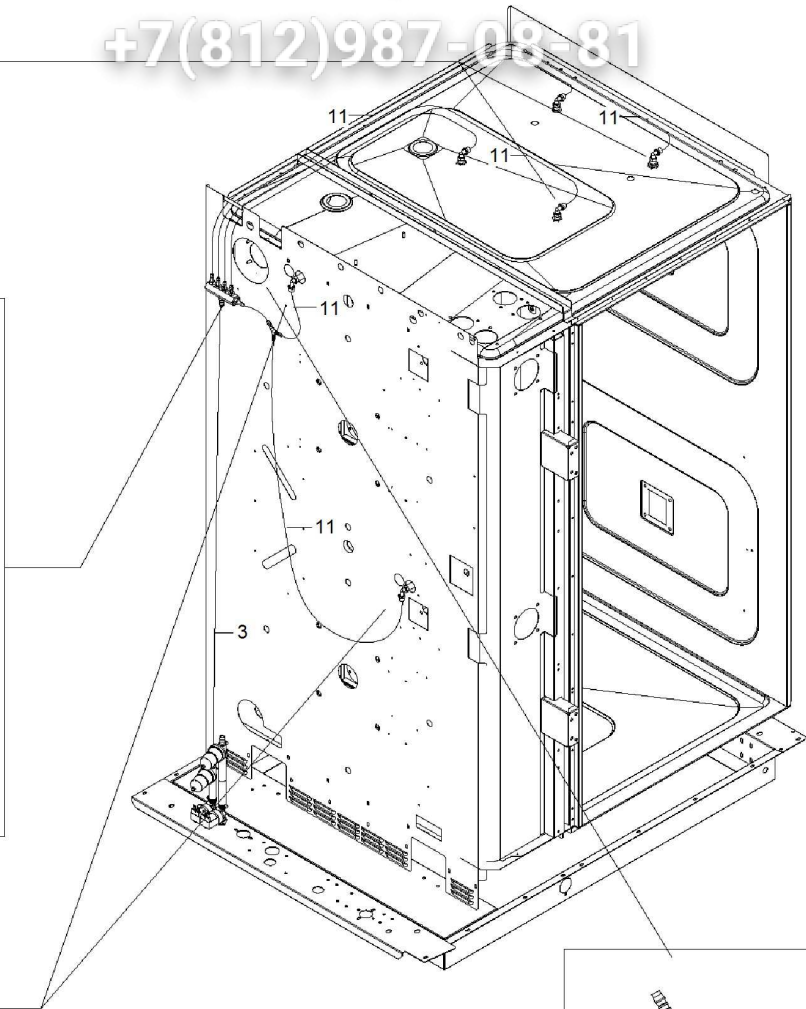
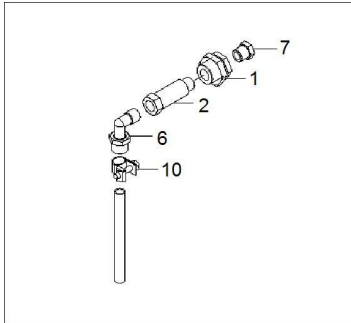
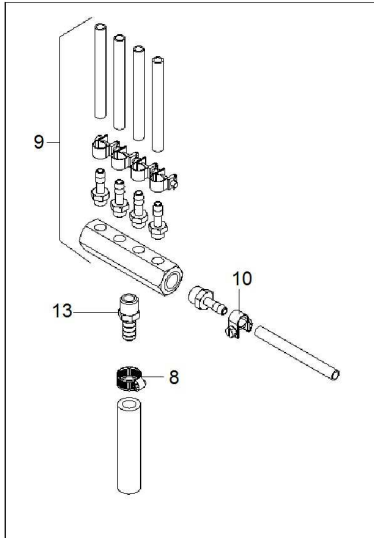
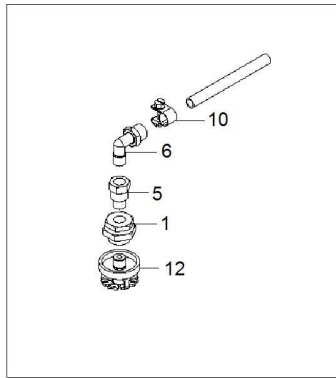
25



Зип Общепит

vsezip.ru

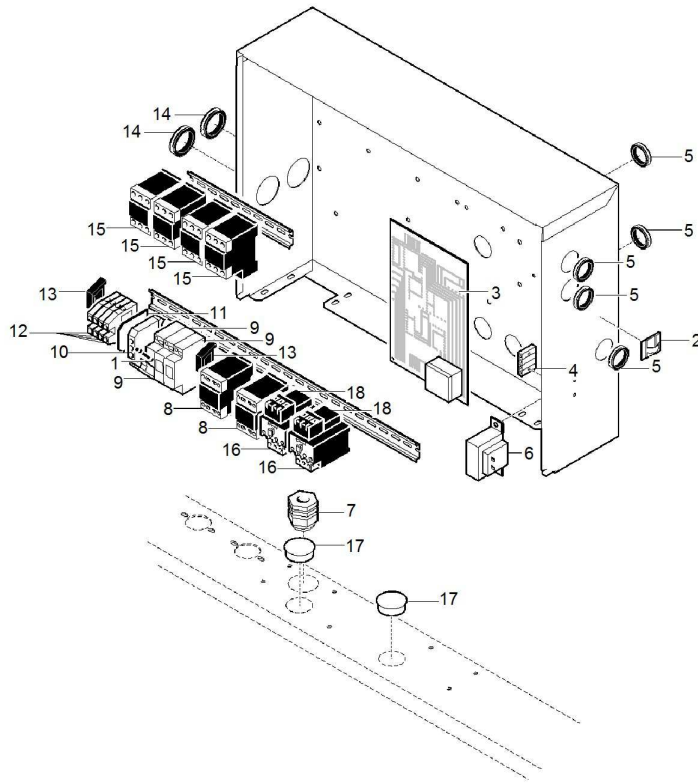
+7(812)987-08-81



Зип Общепит

vsezip.ru

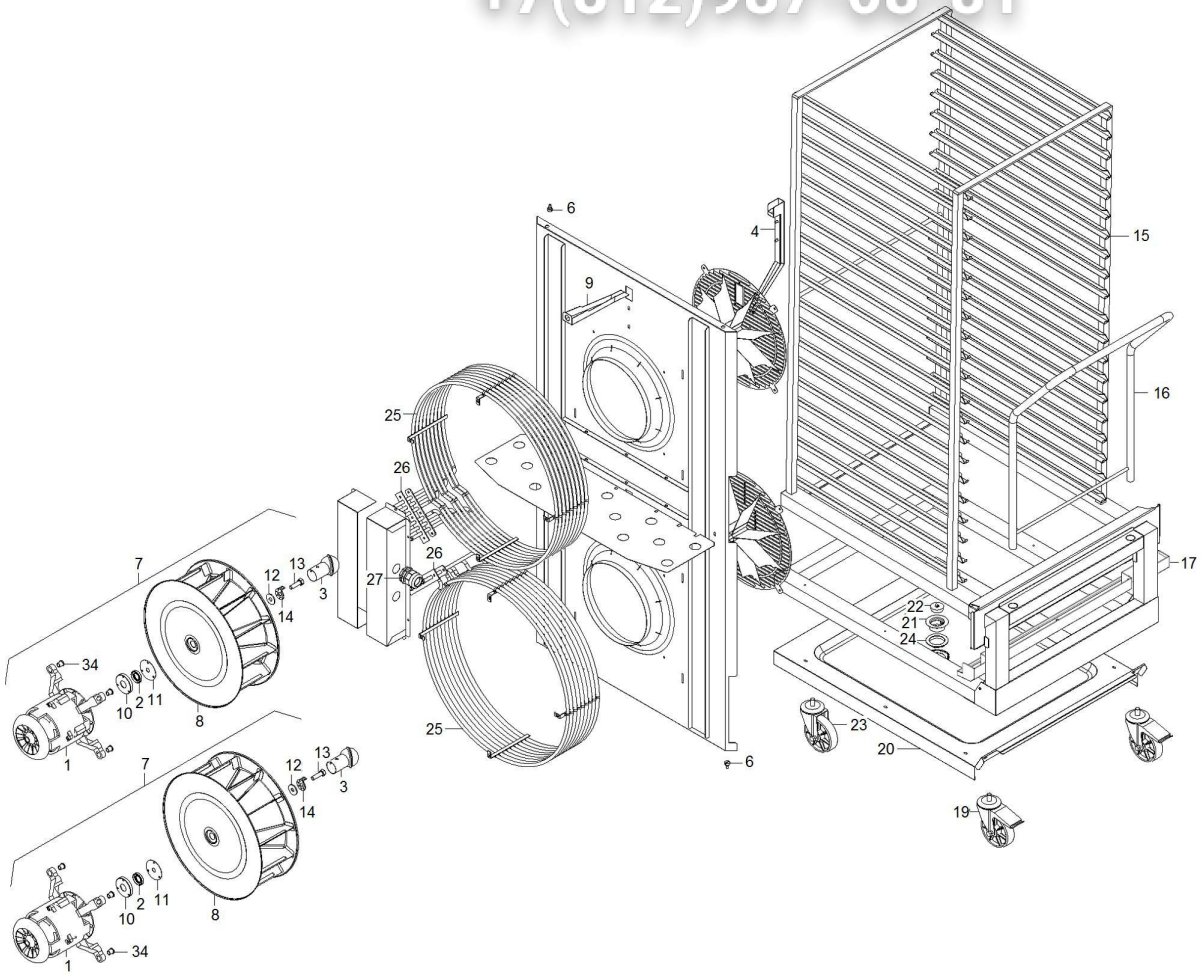
+7(812)987-08-81



Зип Ощепит

vsezip.ru

+7(812)987-08-81



Page	Pos	Code	Description	info
002	001	3050420	RISER	01/01/2006-
002	002	3062250	PLATE	01/01/2006-
002	003	3004870	PROBE WIRE RETAINER	01/01/2006-
002	004	3097910	SUPP. PROBE	13/11/2006-
002	005	36H0901	ENCODER KNOB	01/01/2006-
002	006	3031100	GASKET	01/01/2006-
002	007	3031110	CONNECT.	01/01/2006-
002	008	36E3790	WASHER	01/01/2006-
002	009	3125011	LEVEL 1-2 DASHBOARD	09/05/2008-
002	010	3036962	GLASS	07/08/2012-
002	012	3146492	PCB	02/03/2009-
002	013	3051070	ENCODER PIN $\phi$ 6-4.5	01/01/2006-
002	014	3151441	WASHER $\phi$ 22 $\phi$ 16.2=1.5 CU	01/01/2006-
002	015	3152360	WASHER 3/8" 3/8" $\phi$ 22- $\phi$ 17.2=1.5 CU/NI	01/01/2006-
002	016	3188650	WASHER	23/11/2010-
002	017	3170110	ACCOMODATION $\phi$ 6	01/01/2006-
002	018	3170290	KNOB SPRING	01/01/2006-
002	019	6300643	THERMAL RESISTOR PT1000 ASSEM	01/01/2006-
002	020	31X0170	PIN FT $\phi$ 6	01/01/2006-
002	021	3000060	TERMINAL	01/01/2006-
002	022	32V5570	LAMP, COMPLETE	01/01/2006-
002	023	32V5740	MAGNETIC MICROSWITCH	01/01/2006-
002	024	32V5750	THERMAL RESISTOR, PT1000	01/01/2006-
002	025	3006040	FAN	01/01/2006-
002	026	3111950	SAFETY THERMOSTAT	29/10/2008-
002	027	3278370	LAMP GUARD	14/01/2015-
002	028	36E3560	WASHER	01/01/2006-
002	029	36C3220	FOOT S/S ASSEMBLY	01/01/2006-
002	030	36E3170	LAMP GASKET	01/01/2006-
002	031	36E3860	WASHER	01/01/2006-
002	032	36Q1171	LOCKNUT M16X1.5	01/01/2006-
003	001	6023130	INSIDE MOVING GLASS + FRAME FO	01/01/2006-
003	003	3003460	HINGE BRACKET	01/01/2006-
003	004	3003470	BOTTOM HINGE BUSHING	01/01/2006-
003	005	3008810	MAGNET	01/01/2006-
003	006	3019510	SPACER	01/01/2006-
003	007	3190020	SCREW M6X10	01/01/2006-
003	008	6300661	OVEN DOOR ASSEMBLY + FRONT	23/11/2007-
003	009	36D7062	GASKET PIN	01/01/2006-
003	010	36E2570	WEDGE LOCK	01/01/2006-
003	011	36E2581	LOCK UNIT	21/07/2009-
003	012	36E3950	DOOR OUTSIDE GLASS	01/01/2006-
003	013	36E2660	BOTTOM DOOR	01/01/2006-
003	014	36E2670	SUPPORT DOOR BOTTOM HINGE	01/01/2006-
003	015	36E2680	DOOR TOP HINGE	01/01/2006-
003	016	36E2781	DOOR GUARD	07/09/2011-
003	017	36E2820	MALE HALF HINGE	01/01/2006-
003	018	36E3930	EXTERNAL GLASS GASKET	01/01/2006-
003	019	36E3921	FRONT GASKET	01/01/2006-
003	020	36G5320	SPRING	01/01/2006-
003	021	36H0920	FRAME PIN	11/07/2008-



Page	Pos	Code	Description	info
003	022	3045020	COUNTERDOOR	01/01/2006-
003	023	3059020	TRIM	01/01/2006-
003	024	3059030	TRIM	01/01/2006-
003	025	3039710	GASKET	01/01/2006-
003	026	6300843	PLASTIC INSERT LOCK	01/01/2006-
003	027	3001960	SPACER	17/03/2006-
003	028	3154970	RH STEAMCONDENSATION DEFLECTOR	11/07/2008-
003	029	3154960	LH STEAMCONDENSATION	11/07/2008-
004	001	36Q1171	LOCKNUT M16X1.5	01/01/2006-
004	002	3032670	"SOLENOID VALVE 3/4"" 1IN-2OUT"	01/01/2006-
004	003	36E3320	SIPHON GASKET	01/01/2006-
004	004	36E3040	"M""1"" PLUG"	01/01/2006-
004	005	3032890	CONNECTOR	01/01/2006-
004	006	3032900	SPACER	01/01/2006-
004	007	3032930	JET	01/01/2006-
004	007	3032940	JET	01/01/2006-
004	008	36E3010	EXTRACTION GASKET	01/01/2006-
004	009	3278360	FILTER	13/02/2015-
004	010	3041830	PRESSURESTAT	01/01/2006-
004	011	3045960	GASKET	01/01/2006-
004	012	3051330	VALVE CONNECTOR	01/01/2006-
004	013	3051370	SLEEVE F3/4 M1/2	01/01/2006-
004	014	3140220	PIPE CLAMP	01/01/2006-
004	015	3140230	12/20 PIPE CLAMP	01/01/2006-
004	016	3151441	WASHER Ø22Ø16.2=1.5 CU	01/01/2006-
004	017	3151450	WASHER	01/01/2006-
004	018	3152360	WASHER 3/8" 3/8" Ø22-Ø17.2=1.5 CU/NI	01/01/2006-
004	019	6002620	BUTTERFLY VALVE UNIT	01/01/2006-
004	020	6002930	COUNTERWEIGHT, SINGLE	01/01/2006-
004	021	6002801	CONDENSATION DRAIN UNIT	24/09/2009-
004	022	6020180	WATER INTAKE UNIT	01/01/2006-
004	023	6020041	WATER INTAKE UNIT	02/12/2008-
004	024	111AA05	RUBBER HOSE Ø30 Ø20	01/01/2006-
004	025	131AA12	RUBBER HOSEØ17Ø10 X H <sup>2</sup> O	01/01/2006-
004	026	131AA29	RUBBER HOSE	01/01/2006-
004	027	30Z2050	PIPE AISI304 Ø12- 159X77	01/01/2006-
004	028	6002920	EXTRACTION UNIT	01/01/2006-
004	029	30Z3011	WASTE PIPE	01/01/2006-
004	030	32V5760	THERMAL RESISTOR, PT1000	01/01/2006-
004	031	32V5780	CYCLE PROGRAMMER X	01/01/2006-
004	032	33D1650	"PRES. REDUC. VAL. F-F Ø 1/2"""	01/01/2006-
004	033	33D1680	MANOMETRE 0-40BAR M1/8	01/01/2006-
004	034	36E3000	BUTTERFLY VALVE GASKET	01/01/2006-
004	035	33Q2500	NIPPLE 1/2"-3/4"	01/01/2006-
004	036	33Q4860	H2O FILTER	02/12/2008-
004	037	33Q5980	SOUND REDUC. CONNECTOR	01/01/2006-
004	038	36A3401		04/12/2013-
004	039	36A5020	DRAIN TRAP	01/01/2006-
004	040	33Q6650	UNION	01/01/2006-
004	041	36E4330	UNION	01/01/2006-
004	042	33M0350	PIPE	01/01/2006-

Page	Pos	Code	Description	info
004	043	3006360	REDUCING MF 3/4"G- 1/2"G	19/09/2008-
004	044	3004170	VALVE	19/09/2008-
005	001	3003400	UNION	01/01/2006-
005	002	3003760	EXTENSION	01/01/2006-
005	003	131AA12	RUBBER HOSE 1/2" X 1/2" X H <sup>2</sup> O	01/01/2006-
005	004	6016500	PIPES ASS.Y	01/01/2006-
005	005	3007200	EXTENSION	01/01/2006-
005	006	3014470	90°-ELBOW	01/01/2006-
005	007	33T4570	RINSE NOZZLE	09/01/2013-
005	008	3140230	12/20 PIPE CLAMP	01/01/2006-
005	009	6016521	SPRINKLER PIPES ASS.Y	27/06/2008-
005	010	36E4320	BAND CLAMP	01/01/2006-
005	011	131AA35	PIPE	01/01/2006-
005	012	3281420	FIXED SPOUT	27/01/2015-
005	013	33Q6650	UNION	27/06/2008-
006	001	32V6210	FUSE	01/01/2006-
006	002	32X0380	ADHESIVE PLATE	01/01/2006-
006	003	32V5361	PCB	01/04/2007-
006	004	32D1450	TERMINAL	01/01/2006-
006	005	32X0120	GROMMETØ 21	01/01/2006-
006	006	32V5930	TRANSFORMER	01/01/2006-
006	007	32D1780	FAIRLEAD	01/01/2006-
006	008	3100940	RELAY BF09 230V- 50/60Hz-25(9)A	25/10/2007-
006	009	32V6200	FUSE TERMINAL 10x38	01/01/2006-
006	010	32D1000	GROUND TERMINAL	01/01/2006-
006	011	32D1170	TERMINAL END COVER	01/01/2006-
006	012	32D1160	LIVE TERMINAL	01/01/2006-
006	013	32D0870	TERMINAL CLAMP	01/01/2006-
006	014	32X0130	GROMMET Ø29-Ø37	01/01/2006-
006	015	3100930	RELAY	25/10/2007-
006	016	3101090	RELAY	25/10/2007-
006	017	36Q1940	HOLE PLUG	01/01/2006-
006	018	3100950	INDEP. ASSEMBLY SUPPORT	25/10/2007-
007	001	32M6722	MOTOR LEVEL 1-2	01/01/2006-
007	002	3004400	GASKET	01/01/2006-
007	003	3004791	DIFFUSER	01/01/2006-
007	004	30Q2690	END PIPE, COMPLETE	01/01/2006-
007	006	3084430	SCREW TE M6 Ø16x23	26/01/2007-
007	007	6003040	MOTOR ASS.Y	01/01/2006-
007	008	32M6761	FAN	01/01/2006-
007	009	35Y3260	WATER INTAKE JOINT	01/01/2006-
007	010	36E3160	RING GASKET SUPPORT	01/01/2006-
007	011	37Q0250	GASKET	01/01/2006-
007	012	3014810	WASHER Ø30Ø10.5=2.5	01/01/2006-
007	013	3016470	SCREW M10X35	01/01/2006-
007	014	3019001	WASHER	01/01/2006-
007	015	3042332	ROLL-IN RACK	03/10/2008-
007	016	3041330	HANDLE	01/01/2006-
007	017	3152860	LOWER TRAY ASS.Y	03/11/2008-
007	019	3055901	PIVOTING CASTOR WITH BRAKE Ø10	08/03/2006-
007	020	3041320	HOUSING	01/01/2006-

Page	Pos	Code	Description	info
007	021	36A3401		04/12/2013-
007	022	3055120	PLUG	01/01/2006-
007	023	3055891	PIVOTING CASTOR	08/03/2006-
007	024	3045960	Ø100 GASKET	01/01/2006-
007	025	32G1711	HEATING EL.	01/01/2006-
007	026	37Q3220	GASKET	01/01/2006-
007	027	32D1780	FAIRLEAD	01/01/2006-