

Зип Общепит

vsezip.ru

+7(812)987-08-81



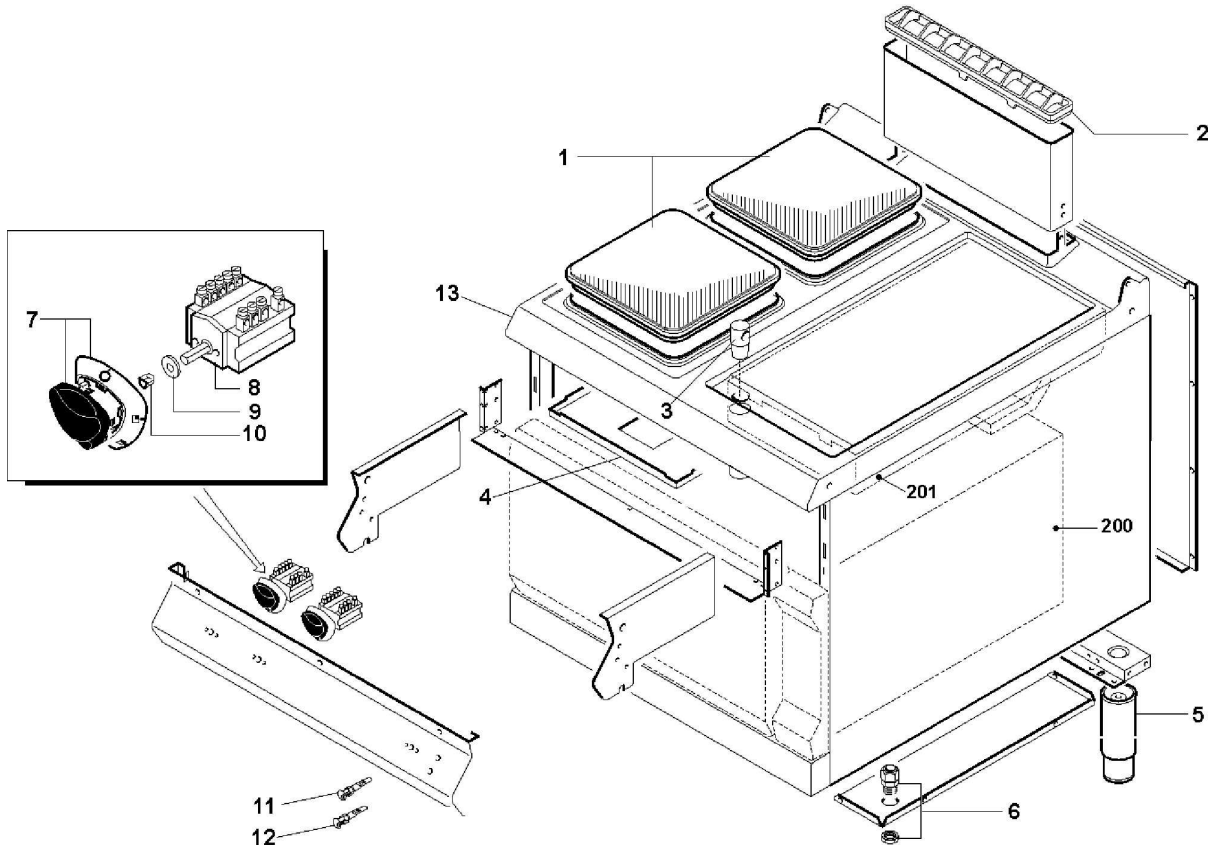
1A1PEFTE

Edition 20150212-

Зип Общепит

vsezip.ru

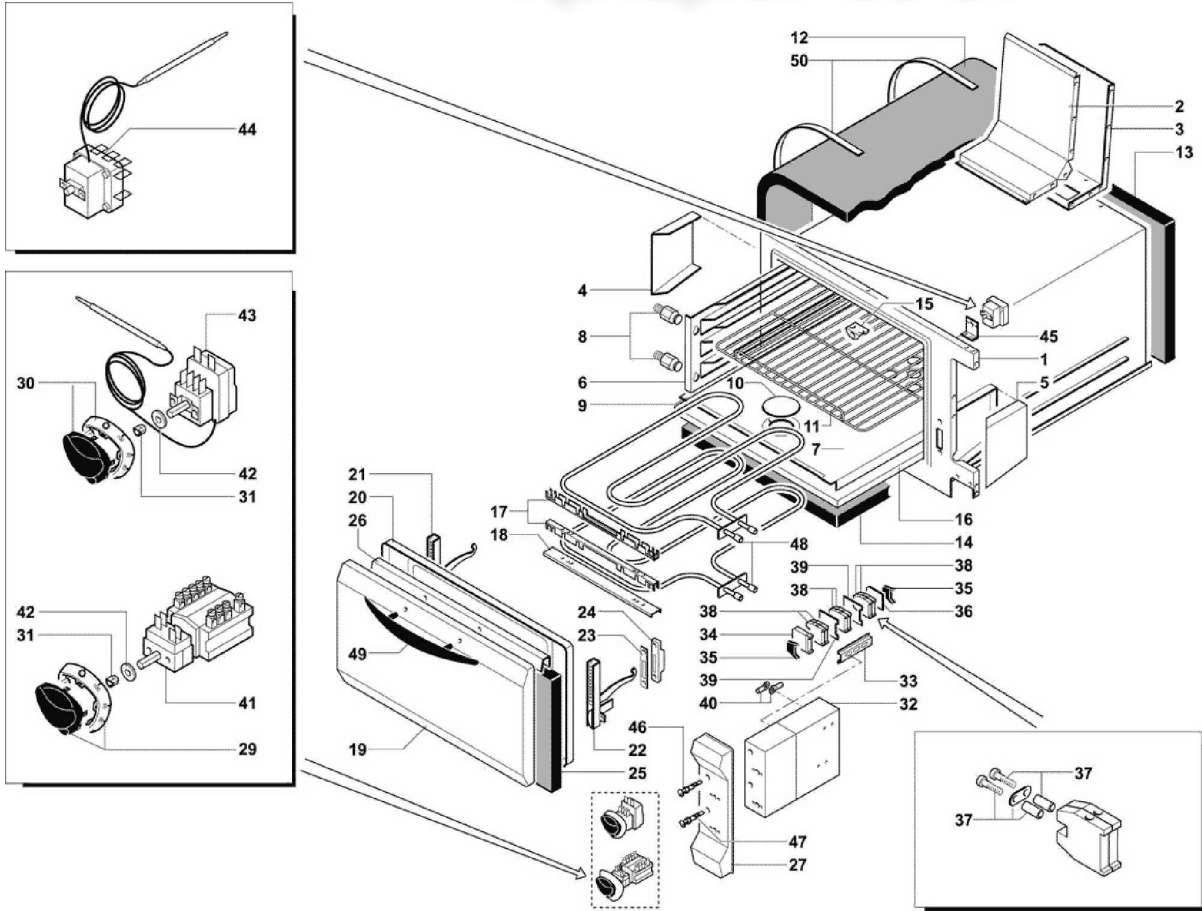
+7(812)987-08-81



Зип Общепит

vsezip.ru

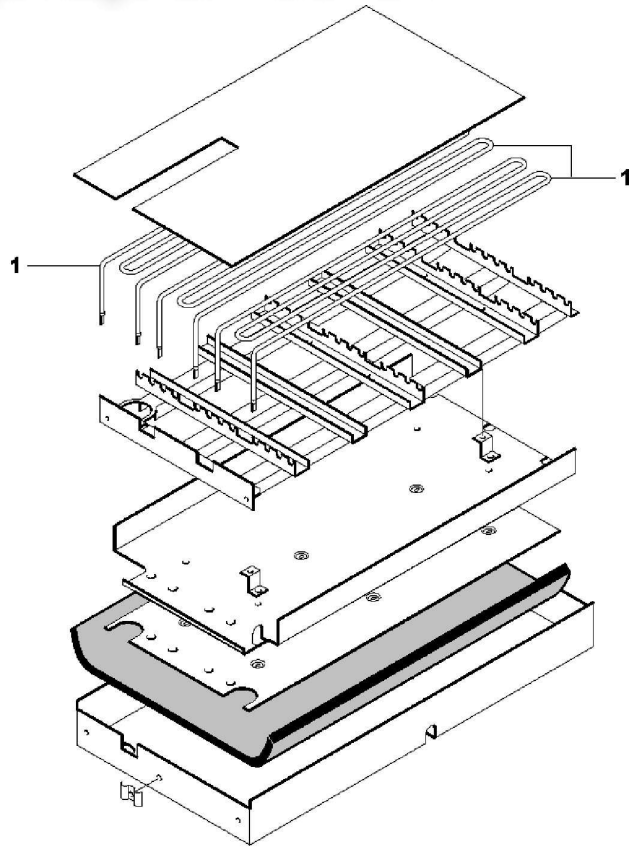
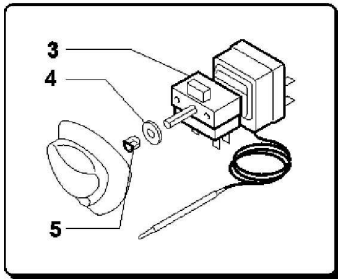
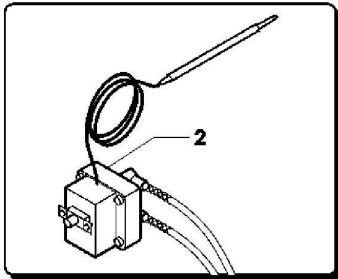
+7(812)987-08-81



Зип Общепит

vsezip.ru

+7(812)987-08-81



| Page | Pos | Code | Description | № |
|------|-----|---------|-------------------------|-------------|
| 002 | 001 | 32G0940 | ELECTRIC PLATE | 01/06/2000- |
| 002 | 002 | 36C1310 | FLUE GUARD | 01/06/2000- |
| 002 | 003 | 3115040 | PLUG | 31/01/2008- |
| 002 | 004 | 6013001 | EL. PLATE PROTECTION | 01/06/2000- |
| 002 | 005 | 36C2970 | STAINLESS STEEL FOOT | 01/06/2000- |
| 002 | 006 | 32D0770 | FAIRLEAD 8/10-17/20 | 01/06/2000- |
| 002 | 007 | 6300485 | EL. CONTROL ASS.Y | 01/06/2000- |
| 002 | 008 | 32W1050 | SWITCH | 01/06/2000- |
| 002 | 009 | 3152240 | THERMOSTAT PROTECT. | 01/06/2000- |
| 002 | 010 | 3170290 | KNOB SPRING | 01/06/2000- |
| 002 | 011 | 6300652 | GREEN LIGHT 400V ASS.Y | 23/05/2007- |
| 002 | 012 | 6300651 | ORANGE LIGHT 400V ASS.Y | 23/05/2007- |
| 002 | 013 | 30M8010 | SHELF + RIBBED PLATE | 01/06/2000- |
| 002 | 200 | M002220 | M. ELECTRIC OVEN | 01/06/2000- |
| 002 | 201 | M008550 | FRAME COMP. ASS.Y | 01/06/2000- |
| 003 | 001 | 30D5180 | ELECTRIC OVEN ASS. Y | 01/02/1999- |
| 003 | 002 | 35E0330 | FLUE FRONT PANEL | 01/02/1999- |
| 003 | 003 | 35E0320 | FLUE REAR PANEL | 01/02/1999- |
| 003 | 004 | 35P0300 | PROTECTION | 01/02/1999- |
| 003 | 005 | 35P0310 | PROTECTION | 01/02/1999- |
| 003 | 006 | 35Y0481 | LH TRAY RACK ASS. Y | 06/06/2005- |
| 003 | 007 | 35Y0471 | RH TRAY RACK ASS. Y | 06/06/2005- |
| 003 | 008 | 36C3010 | PIN | 01/02/1999- |
| 003 | 009 | 35D3100 | OVEN BOTTOM PLATE | 01/02/1999- |
| 003 | 010 | 30D1260 | OVEN PLATE HOLE COVER | 01/02/1999- |
| 003 | 011 | 36A0990 | OVEN GRID | 01/02/1999- |
| 003 | 012 | 3271680 | INSULATING PANEL | 24/06/2014- |
| 003 | 013 | 3271690 | INSULATING PANEL | 16/10/2014- |
| 003 | 014 | 37Q1950 | INSULATING PANEL | 01/02/1999- |
| 003 | 015 | 35U4210 | ""U"" BRACKET" | 01/02/1999- |
| 003 | 016 | 35Q5480 | LOWER INS. PANEL | 01/02/1999- |
| 003 | 017 | 35U4362 | COVER "U" BRACKET | 01/02/1999- |
| 003 | 018 | 35U5891 | "U" BRACKET | 01/02/1999- |
| 003 | 019 | 35G5020 | OVEN DOOR | 01/02/1999- |
| 003 | 020 | 35G1940 | INNER DOOR FRAME | 01/02/1999- |
| 003 | 021 | 36M2430 | ASS. Y LEFT HAND HINGE | 01/02/1999- |
| 003 | 022 | 36M2420 | RIGHT-HAND HINGE | 01/02/1999- |
| 003 | 023 | 35U3170 | FLAT BRACKET | 01/02/1999- |
| 003 | 024 | 36M0270 | HINGE CATCH | 01/02/1999- |
| 003 | 025 | 37Q1880 | INSULATING PANEL | 01/02/1999- |
| 003 | 026 | 35D9050 | SPACER | 01/02/1999- |
| 003 | 027 | 35A3630 | SIDE CONTROL | 01/02/1999- |
| 003 | 029 | 6300484 | BOARD EL. CONTROL ASS.Y | 01/02/1999- |
| 003 | 030 | 6300483 | EL. CONTROL ASS.Y | 01/02/1999- |
| 003 | 031 | 3170290 | KNOB SPRING | 01/02/1999- |
| 003 | 032 | 35R5780 | GUARD ASS.Y | 01/02/1999- |
| 003 | 033 | 35R9290 | "\OMEGA\" BRACKET 120MM | 18/07/2003- |
| 003 | 034 | 32D0970 | GROUND TERMINAL | 01/02/1999- |
| 003 | 035 | 32D0870 | TERMINAL CLAMP | 01/02/1999- |
| 003 | 036 | 32D1320 | TERMINAL END COVER | 01/02/1999- |
| 003 | 037 | 32D1490 | CONNECTOR | 01/02/1999- |

| Page | Pos | Code | Description | Info |
|------|-----|---------|-------------------------|-------------|
| 003 | 038 | 32D1310 | LIVE TERMINAL | 01/02/1999- |
| 003 | 039 | 32D1280 | SCREEN COLOR | 01/02/1999- |
| 003 | 040 | 17RNL01 | CABLE TERMINAL | 01/02/1999- |
| 003 | 041 | 32W1440 | SWITCH | 01/02/1999- |
| 003 | 042 | 3152240 | THERMOSTAT PROTECT. | 01/02/1999- |
| 003 | 043 | 32Z2560 | THERMOSTAT 50-300° C | 01/02/1999- |
| 003 | 044 | 32Z9202 | SAFETY THERMOSTAT | 10/11/2004- |
| 003 | 045 | 35S6361 | L" SHAPED BAR | 01/02/1999- |
| 003 | 046 | 6300652 | GREEN LIGHT 400V | 23/05/2007- |
| 003 | 047 | 6300651 | ORANGE LIGHT 400V ASS.Y | 23/05/2007- |
| 003 | 048 | 32G0951 | HEATING EL. 2700W- 400V | 01/02/1999- |
| 003 | 049 | 36M3390 | HANDLE | 01/02/1999- |
| 003 | 050 | 35Y0940 | FIXING BELT | 01/02/1999- |
| 004 | 001 | 3177350 | HEATING EL. 2200W 230V | 12/02/2015- |
| 004 | 002 | 32Z9202 | SAFETY THERMOSTAT | 01/06/2000- |
| 004 | 003 | 32Z7400 | THERMOSTAT 100- 260° C | 01/06/2000- |
| 004 | 004 | 3152240 | THERMOSTAT PROTECT. | 01/06/2000- |
| 004 | 005 | 3170290 | KNOB SPRING | 01/06/2000- |