

Зип Общепит

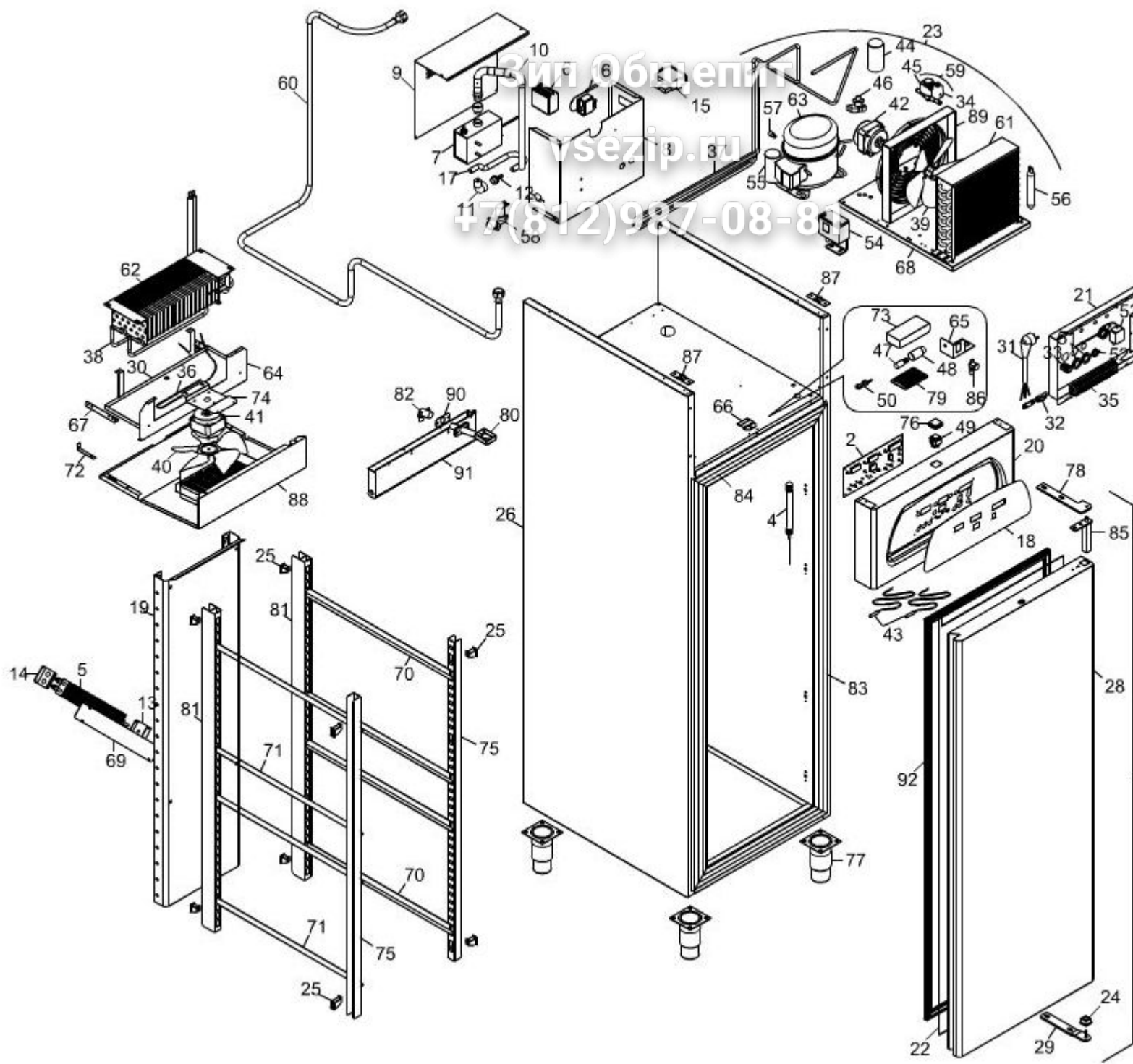
vsezip.ru

+7(812)987-08-81



**AF1B**

**Edition 20061010-20080514**



Pos	Code	Description	Info
001	3088030	ELECTRONIC CARD	01/07/2006-
002	3063200	ELECTRONIC CARD	01/07/2006-
003	3063210	ELECTRONIC CARD	01/07/2006-
004	3063240	PROBE	01/07/2006-
005	3063250	RESISTOR	01/07/2006-
006	3065790	REGULATOR	01/07/2006-
007	3066920	GENERATOR	01/07/2006-
008	3067170	SUPPORT	01/07/2006-
009	3067180	COVER	01/07/2006-
010	3068000	PIPE	01/07/2006-
011	3068030	UNION	01/07/2006-
012	3068040	HOSE SUPPORT	01/07/2006-
013	3068140	SUPPORT	01/07/2006-
014	3068150	SUPPORT	01/07/2006-
015	3069090	THERMOREGULATOR	01/07/2006-
016	3069800	SAFETY THERMOSTAT	01/07/2006-
018	3071420	SILK-SCREE.PANEL	01/07/2006-
019	3079260	CONVEYOR	01/07/2006-
020	3079280	CONTROL BOARD	01/07/2006-
021	3079610	COMPONENT GUARD	01/07/2006-
022	32G3590	RESISTOR	01/07/2006-
023	3085600	MOTOR UNIT	01/07/2006-
024	3178300	PLUG	01/07/2006-
025	3601350	RACK SUPPORT	01/07/2006-
026	AF1B-Pos.026	BODY	01/07/2006-
027	6014870	DOOR UNIT	01/07/2006-
028	30F1390	FRIDGE DOOR	01/07/2006-
029	30T4510	BOTTOM BRACKET	01/07/2006-
030	30W5210	COND. TRAY	01/07/2006-
031	32A2200	POWER SUPPLY CABLE	01/07/2006-
032	32D0020	CABLE CLAMP Ø 4 - 12	01/07/2006-
033	32D0700	CABLE CLAMP	01/07/2006-
034	32D0710	THREE-POLE CONNECTOR	01/07/2006-
035	32D0761	TERMINAL BOARD	01/07/2006-
036	32G2420	HEATING ELEMENT	01/07/2006-
037	35X5281	PIPE COIL	01/07/2006-
038	32G3570	RESISTOR	01/07/2006-
039	32M7220	FAN	01/07/2006-
040	32M2510	FAN	01/07/2006-
041	32M7020	FAN MOTOR	01/07/2006-
042	32M7210	FAN MOTOR	01/07/2006-
043	32V0150	TEMP. PROBE	01/07/2006-
044	32Z9140	CONDENSER	01/07/2006-
045	32V4590	COIL	01/07/2006-
046	32Z9220	RELAY	01/07/2006-
047	32W3790	LIGHT	01/07/2006-
048	32W3800	LAMP-HOLDER	01/07/2006-
049	32W3970	BIPOLAR SWITCH	01/07/2006-
050	32W4310	MICROSWITCH	01/07/2006-
051	32X0120	GROMMET Ø 21	01/07/2006-
052	32X0140	GROMMET Ø13,5-Ø25	01/07/2006-

Pos	Code	Description	Info
053	32Z1090	THERMOSTAT	01/07/2006-
054	32Z5890	PRESSURE-SW	01/07/2006-
055	32Z9230	CONDENSER	01/07/2006-
056	33A0190	FILTER	01/07/2006-
057	33A1200	AUXIL.VALVE	01/07/2006-
058	33D1371	INLET WATER SOLENOID VALVE	01/07/2006-
059	33G0670	SOLENOID VALVE	01/07/2006-
060	33M1160	WATER WAY IN	01/07/2006-
061	34E2220	CONDEN.+BAFFLE	01/07/2006-
062	34E2140	EVAPORATOR	01/07/2006-
063	34D4540	COMPRESSOR	01/07/2006-
064	35L1560	CLOSING PLATE	01/07/2006-
065	35R9260	LOCK SUPPORT	01/07/2006-
066	3065480	SUPPORT	05/09/2006-
067	35R9850	PROTECTION SUPPORT	01/07/2006-
068	35W4350	TRAY ASS.Y	01/07/2006-
069	3085630	RESISTOR GUARD	01/07/2006-
070	3089720	GUIDE	10/10/2006-
071	3089730	GUIDE	10/10/2006-
072	35Y2000	SUPPORT	01/07/2006-
073	35Y3090	LAMP GUARD	01/07/2006-
074	35Y3830	FAN SUPPORT	01/07/2006-
075	3089680	RACK	10/10/2006-
076	36C5180	SWITCH PROT.	01/07/2006-
077	36C5600	FOOT	01/07/2006-
078	36E2120	TOP BRACKET	01/07/2006-
079	36E2240	LAMP PROTECTION GLASS SLIDE	01/07/2006-
080	36E2270	CONDENS. DRAIN	01/07/2006-
081	3089690	RACK	10/10/2006-
082	36E3870	CONDENS. DRAIN	01/07/2006-
083	36E4890	FRAME TRIM	01/07/2006-
084	36E5140	FRAME TRIM	01/07/2006-
085	36G6520	HINGE	01/07/2006-
086	36M7070	KEY LOCK	01/07/2006-
087	36M7080	HINGE	01/07/2006-
088	3AQ0240	EVAPORATOR GUARD	01/07/2006-
089	36Z0540	FAN.PROT.	01/07/2006-
090	36Z1410	GASKET	01/07/2006-
091	36Z2280	COND. TRAY	01/07/2006-
092	37Q5510	DOOR GASKET	01/07/2006-