

Зип Общепит

vsezip.ru

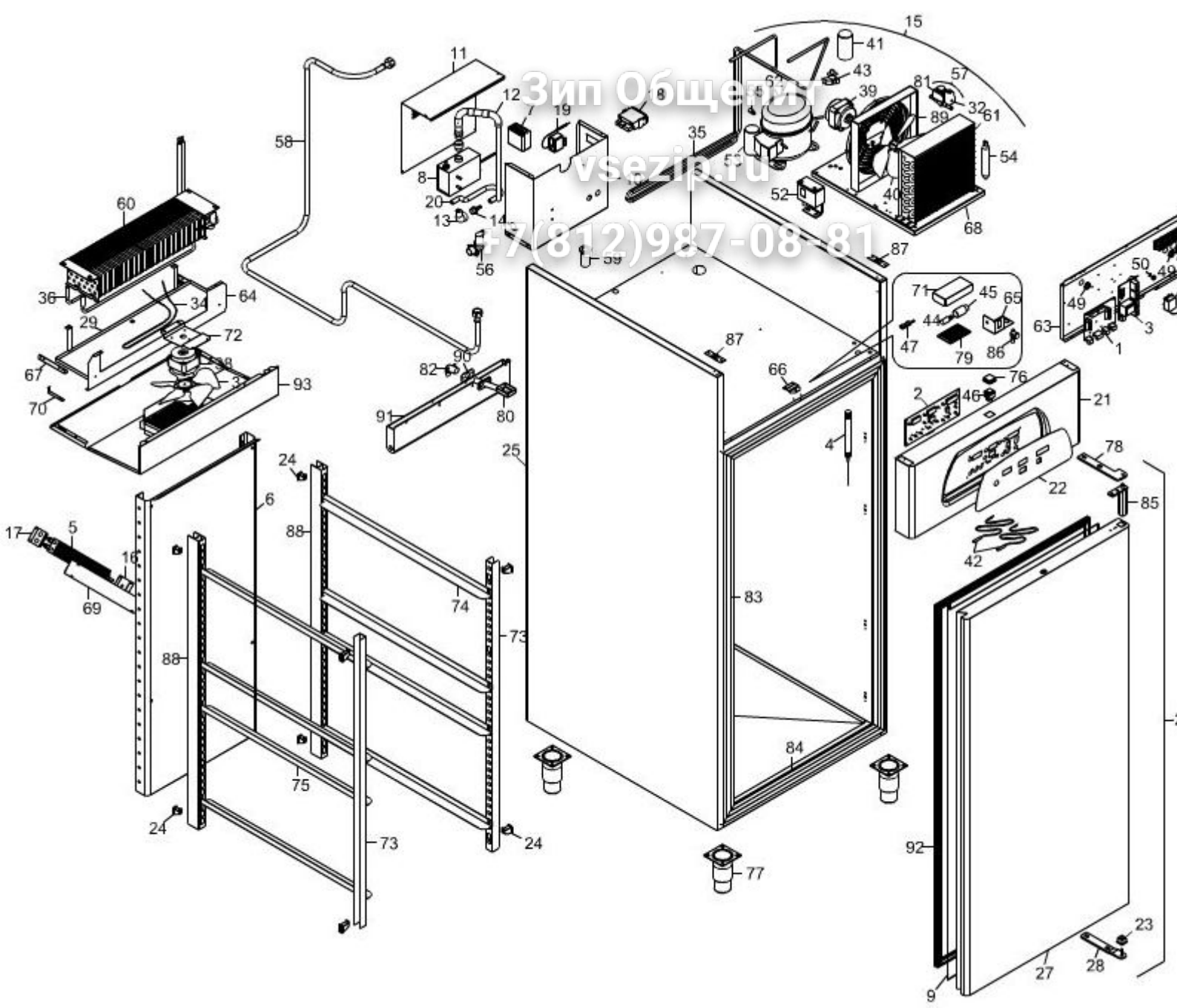
+7(812)987-08-81



AF2B

Edition 20061010-20080514

Зип Общий
vsezip.ru
+7(812)987-08-81



Pos	Code	Description	Info
001	3088030	ELECTRONIC CARD	01/07/2006-
002	3063200	ELECTRONIC CARD	01/07/2006-
003	3063210	ELECTRONIC CARD	01/07/2006-
004	3063240	PROBE	01/07/2006-
005	3063250	RESISTOR	01/07/2006-
006	3063480	CONVEYOR	01/07/2006-
007	3065790	REGULATOR	01/07/2006-
008	3066920	GENERATOR	01/07/2006-
009	32G3600	RESISTOR	01/07/2006-
010	3067170	SUPPORT	01/07/2006-
011	3067180	COVER	01/07/2006-
012	3068000	PIPE	01/07/2006-
013	3068030	UNION	01/07/2006-
014	3068040	HOSE SUPPORT	01/07/2006-
015	3085590	MOTOR UNIT	01/07/2006-
016	3068140	SUPPORT	01/07/2006-
017	3068150	SUPPORT	01/07/2006-
018	3069090	THERMOREGULATOR	01/07/2006-
019	3069800	SAFETY THERMOSTAT	01/07/2006-
021	3071410	CONTROL BOARD	01/07/2006-
022	3071420	SILK-SCREE.PANEL	01/07/2006-
023	3178300	PLUG	01/07/2006-
024	3601350	RACK SUPPORT	01/07/2006-
025	AF2B-Pos.025	BODY	01/07/2006-
026	6014880	DOOR UNIT	01/07/2006-
027	30F1400	FRIDGE DOOR	01/07/2006-
028	30T4510	BOTTOM BRACKET	01/07/2006-
029	30W5220	COND. TRAY	01/07/2006-
030	32A2200	POWER SUPPLY CABLE	01/07/2006-
031	32D0020	CABLE CLAMP Ø 4 - 12	01/07/2006-
032	32D0710	THREE-POLE CONNECTOR	01/07/2006-
033	32D0761	TERMINAL BOARD	01/07/2006-
034	32G2420	HEATING ELEMENT	01/07/2006-
035	35X5281	PIPE COIL	01/07/2006-
036	32G3580	HEATING ELEMENT	01/07/2006-
037	32M2510	FAN	01/07/2006-
038	32M7020	FAN MOTOR	01/07/2006-
039	3043560	FAN MOTOR	01/07/2006-
040	32M2260	FAN	01/07/2006-
041	32Z9130	CONDENSER	01/07/2006-
042	32V0150	TEMP. PROBE	01/07/2006-
043	32Z7620	RELAY	01/07/2006-
044	32W3790	LIGHT	01/07/2006-
045	32W3800	LAMP-HOLDER	01/07/2006-
046	32W3970	BIPOLAR SWITCH	01/07/2006-
047	32W4310	MICROSWITCH	01/07/2006-
048	32X0120	GROMMET Ø 21	01/07/2006-
049	32X0140	GROMMET Ø13,5-Ø25	01/07/2006-
050	32X0200	GROMMET Ø7.5-Ø11.5	01/07/2006-
051	32Z1090	THERMOSTAT	01/07/2006-
052	32Z5890	PRESSURE-SW	01/07/2006-

Pos	Code	Description	Info
053	32Z7720	CONDENSER	01/07/2006-
054	33A0190	FILTER	01/07/2006-
055	33A1200	AUXIL.VALVE	01/07/2006-
056	33D1371	INLET WATER SOLENOID VALVE	01/07/2006-
057	33G0670	SOLENOID VALVE	01/07/2006-
058	33M1160	WATER WAY IN	01/07/2006-
059	33Q6300	MANIFOLD	01/07/2006-
060	34E2150	EVAPORATOR	01/07/2006-
061	34D4821	CONDEN.+BAFFLE	01/07/2006-
062	34D4560	COMPRESSOR	01/07/2006-
063	35H5730	COMPONENT GUARD	01/07/2006-
064	35L1640	CLOSING PLATE	01/07/2006-
065	35R9260	LOCK SUPPORT	01/07/2006-
066	3065480	SUPPORT	05/09/2006-
067	35R9850	PROTECTION SUPPORT	01/07/2006-
068	35W4350	TRAY ASS.Y	01/07/2006-
069	3085630	RESISTOR GUARD	01/07/2006-
070	35Y2000	SUPPORT	01/07/2006-
071	35Y3090	LAMP GUARD	01/07/2006-
072	35Y3830	FAN SUPPORT	01/07/2006-
073	3089680	RACK	10/10/2006-
074	3089700	GUIDE	10/10/2006-
075	3089710	GUIDE	10/10/2006-
076	36C5180	SWITCH PROT.	01/07/2006-
077	36C5600	FOOT	01/07/2006-
078	36E2120	TOP BRACKET	01/07/2006-
079	36E2240	LAMP PROTECTION GLASS SLIDE	01/07/2006-
080	36E2270	CONDENS. DRAIN	01/07/2006-
081	32V4590	COIL	01/07/2006-
082	36E3870	CONDENS. DRAIN	01/07/2006-
083	36E4890	FRAME TRIM	01/07/2006-
084	36E5170	FRAME TRIM	01/07/2006-
085	36G6520	HINGE	01/07/2006-
086	36M7070	KEY LOCK	01/07/2006-
087	36M7080	HINGE	01/07/2006-
088	3089690	RACK	10/10/2006-
089	36Z0540	FAN.PROT.	01/07/2006-
090	36Z1410	GASKET	01/07/2006-
091	36Z1530	COND. TRAY	01/07/2006-
092	37Q5520	DOOR GASKET	01/07/2006-
093	3AQ0250	EVAPORATOR GUARD	01/07/2006-