

Зип Общепит

vsezip.ru

+7(812)987-08-81



PG80C

Edition 20091201-

Зип Общепит

vsezip.ru

+7(812)987-08-81

15

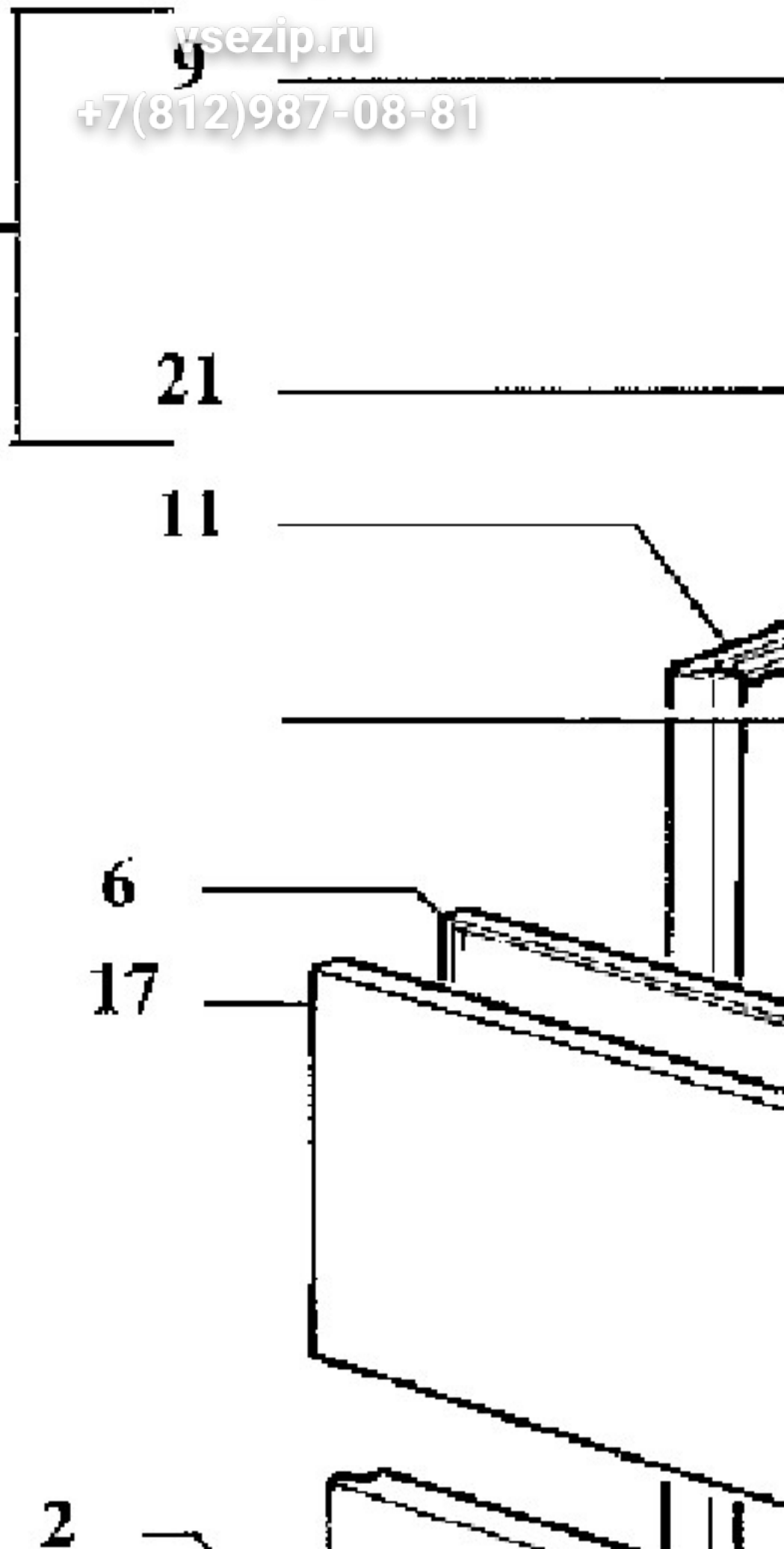
21

11

6

17

2



Зип Общепит

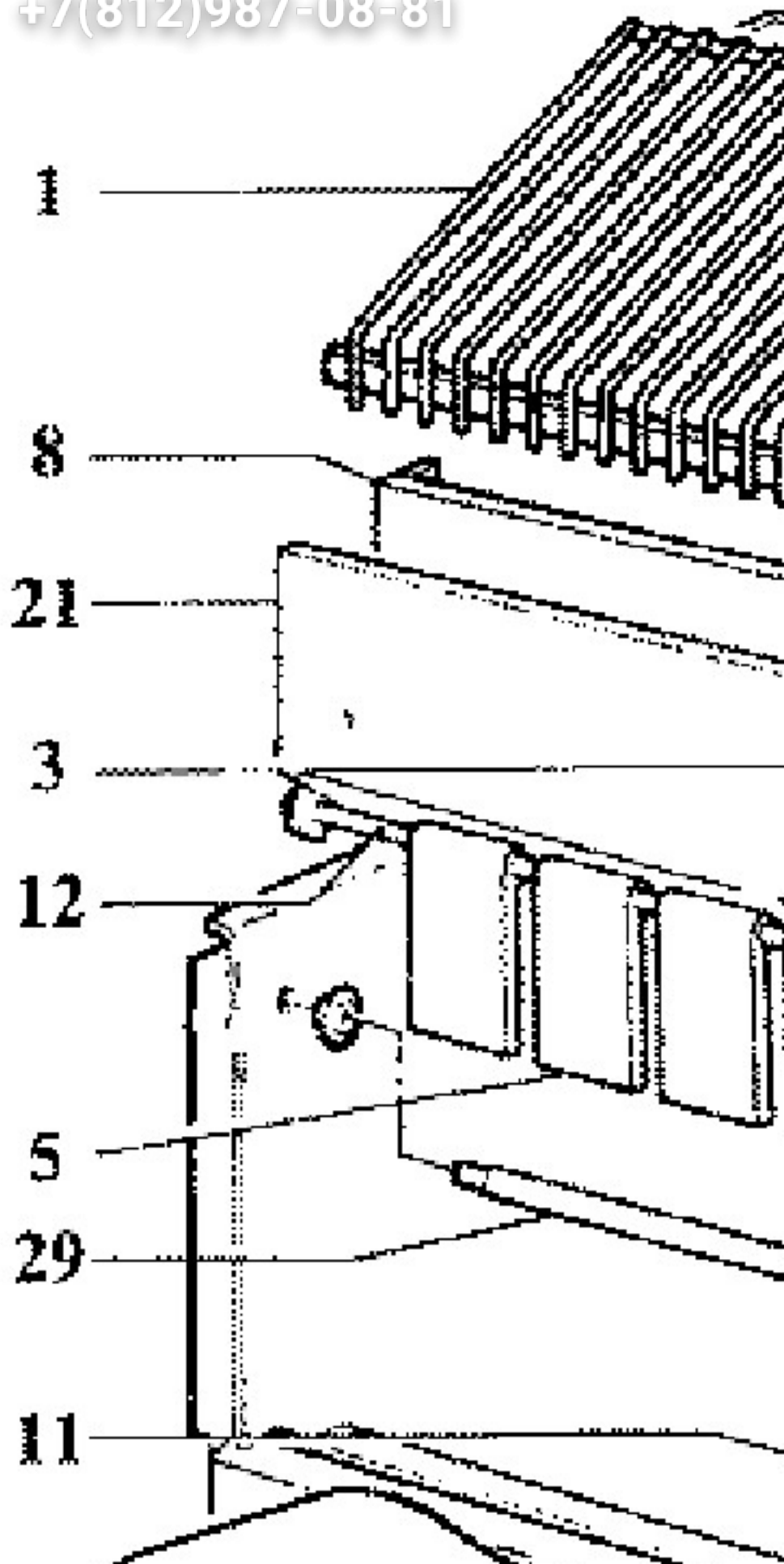
vsezip.ru

+7(812)987-08-81

10 —————

15 ———





Зип Общепит

vsezip.ru

+7(812)987-08-81

11



14

Page	Pos	Code	Description	Info
002	001	36M6820	LEG - PG 30-31	01/07/2003-
002	002	PG80C-Pos.002	Name plate facia	01/07/2003-
002	003	PG80C-Pos.003	Model badge	01/07/2003-
002	005	PG80C-Pos.005	STUD	01/07/2003-
002	006	3010140	Door internal plate	01/07/2003-
002	007	PG80C-Pos.007	Rear stud	01/07/2003-
002	009	PG80C-Pos.009	Top panel insulation	01/07/2003-
002	010	PG80C-Pos.010	Base ass.y	01/07/2003-
002	011	PG80C-Pos.011	Left side panel	01/07/2003-
002	012	PG80C-Pos.012	Right side panel	01/07/2003-
002	013	PG80C-Pos.013	Front support	01/07/2003-
002	014	PG80C-Pos.014	Pump support panel	01/07/2003-
002	015	3309480	Top panel assy	01/07/2003-
002	016	PG80C-Pos.016	Rear panel	01/07/2003-
002	017	3176750	Door	01/07/2003-
002	018	PG80C-Pos.018	Front panel	01/07/2003-
002	021	3212940	Top panel	01/07/2003-
003	001	30Q1550	Pump feeding filter	01/07/2003-
003	002	3016530	WASHER	01/07/2003-
003	003	3016540	Washer	01/07/2003-
003	004	3016550	Nut	01/07/2003-
003	005	3016560	Nut	01/07/2003-
003	006	3016570	Pump feelding pipe- fitting	01/07/2003-
003	007	3016580	Pump inlet water pipe- fitting	01/07/2003-
003	008	3005190	Pump inlet water pipe	01/07/2003-
003	009	3005200	Pump feeding pipe	01/07/2003-
003	010	32M6430	Water pump assy	01/07/2003-
003	011	3005210	PLUG	01/07/2003-
003	012	3005220	Spray bar feeding pipe	01/07/2003-
003	013	33T3230	SPRAY JET	01/07/2003-
003	014	3016590	O-ring	01/07/2003-
003	015	3016790	Pump cover insulation	01/07/2003-
003	016	3187160	Spray bar	01/07/2003-
004	001	3104720	Cube deflector	01/07/2003-
004	002	3016530	WASHER	01/07/2003-
004	003	3016540	Washer	01/07/2003-
004	004	3016550	Nut	01/07/2003-
004	005	3096090	Spray curtain flap	01/07/2003-
004	006	3021690	Bin exhaust pipe fitting	01/07/2003-
004	007	PG80C-Pos.007	O-ring	01/07/2003-
004	008	PG80C-Pos.008	Evaporator support	01/07/2003-
004	009	PG80C-Pos.009	Bin support	01/07/2003-
004	010	33D2760	Overflow exhaust pipe	01/07/2003-
004	011	PG80C-Pos.011	Screw	01/07/2003-
004	012	3096100	Spray curtain bar	01/07/2003-
004	013	3016820	WASHER	01/07/2003-
004	014	3016830	Overflow exhaust	01/07/2003-
004	015	3016840	Nut M27	01/07/2003-
004	016	33M1480	Elbow with ring nut	01/07/2003-
004	017	33M1470	RUBBER PIPE	01/07/2003-
004	018	PG80C-Pos.018	Gasket	01/07/2003-

Page	Pos	Code	Description	Info
004	019	PG80C-Pos.019	Ice scoop	01/07/2003-
004	020	3018190	Retainer for door bar	01/07/2003-
004	021	PG80C-Pos.021	Curtain flap assy.	01/07/2003-
004	022	PG80C-Pos.022	Kit bin assy	01/07/2003-
004	023	PG80C-Pos.023	Bin	01/07/2003-
004	024	33D2770	Electric valve	01/07/2003-
004	025	3111970	Bin exhaust pipe	01/07/2003-
004	026	3003210	Water exhaust	01/07/2003-
004	027	3016850	PLASTIC TUBE - PER METER	01/07/2003-
004	028	3016860	Pipe	01/07/2003-
004	029	3177380	Door support bar	01/07/2003-
005	003	PG80C-Pos.003	Cable terminal ring	01/07/2003-
005	004	3209970	ELECTRONICTIMER	01/12/2009-
005	005	32V4430	PRESSURE-SWITCH 10,5bar/8bar	01/07/2003-
005	006	3034730	BIN THERMOSTAT	01/07/2003-
005	007	32V4400	EVAPORATOR THERMOSTAT	01/07/2003-
005	008	PG80C-Pos.008	Electric cable	01/07/2003-
005	010	32V4340	Switch	01/07/2003-
005	011	32M6420	FAN MOTOR	01/07/2003-
005	012	3218410	FAN	01/07/2003-
005	013	3243710	MECHANICAL FILTER	01/07/2003-
005	014	3023360	Air condenser	01/07/2003-
005	015	34D9160	Compressor	01/07/2003-
005	016	3112480	Thermic protector	01/07/2003-
005	017	3112490	Startin relay	01/07/2003-
005	018	PG80C-Pos.018	Filtre	01/07/2003-
005	020	33D2900	HOT GAS VALVE BODY	01/07/2003-
005	021	32V4320	SOLENOID VALVE COIL	01/07/2003-
005	022	3112500	START CAPACITOR	01/07/2003-
005	023	3275670	Accummulator	01/07/2003-
005	024	33D2920	VALVE BODY	01/07/2003-
005	025	36G9590	VALVE PISTON	01/07/2003-
005	026	3023370	EVAPORATOR	01/07/2003-
005	027	PG80C-Pos.027	Contactora	01/07/2003-
005	028	3040550	SAFETY THERMOSTAT	01/07/2003-
005	029	36Q1840	VALVE CAP	01/07/2003-