

Зип Общепит

vsezip.ru

+7(812)987-08-81



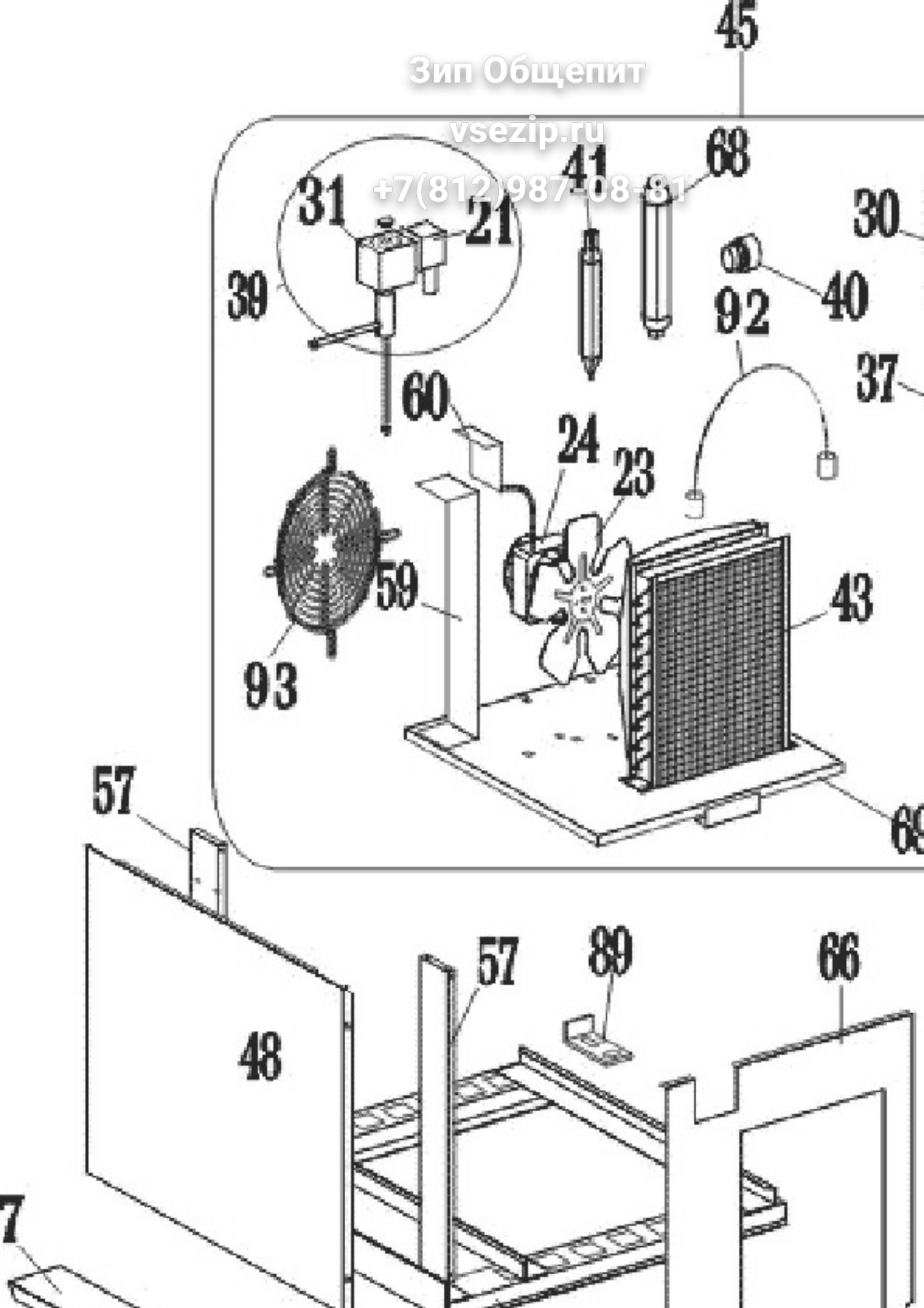
BRPR

Edition 20040907-

Зип Общепит

vsezip.ru

+7(812)987-08-81



| Pos | Code | Description | Info |
|-----|---------|-----------------------------|-------------|
| 001 | 3178200 | PLUG | 01/01/1996- |
| 002 | 3190720 | RH SPACER | 01/01/1996- |
| 003 | 3190730 | LH SPACER | 01/01/1996- |
| 004 | 30A0670 | CONTROL PANEL | 01/01/1996- |
| 005 | 30G3970 | DOOR ASS. Y | 30/06/2000- |
| 006 | 30M2500 | SHELF | 01/01/1996- |
| 007 | 30T2571 | FOOT HOUSING ASS. Y | 01/01/1996- |
| 008 | 30T5160 | TOP BRACKET | 01/01/1996- |
| 009 | 30T5330 | UPPER CROSS MEMBER | 01/01/1996- |
| 010 | 30T5340 | RISER | 01/01/1996- |
| 011 | 30T5400 | BOTTOM BRACKET | 01/01/1996- |
| 012 | 30T5410 | UPPER CROSS MEMBER | 01/01/1996- |
| 013 | 30T5420 | LOWER CROSS MEMBER | 01/01/1996- |
| 014 | 30T5550 | INSTR.BD PROT. | 01/01/1996- |
| 015 | 30T6150 | FRAME | 01/01/1996- |
| 016 | 30W2630 | COLD ROOM ASS.Y | 01/01/1996- |
| 017 | 32D0020 | CABLE CLAMP Ø 4 - 12 | 01/01/1996- |
| 018 | 32D0220 | CABLE CLAMP Ø 16 | 01/01/1996- |
| 019 | 32D0680 | CABLE CLAMP | 01/01/1996- |
| 020 | 32D0690 | TERMINAL BOARD | 01/01/1996- |
| 021 | 32D0710 | THREE-POLE CONNECTOR | 01/01/1996- |
| 022 | 32M5920 | TANGENTIAL FAN | 23/11/1998- |
| 023 | 32M2260 | FAN | 01/01/1996- |
| 024 | 32M6870 | FAN MOTOR | 05/12/2001- |
| 025 | 32W0790 | ORANGE LIGHT 230V | 01/01/1996- |
| 026 | 32W2990 | LIGHT SWITCH | 01/01/1996- |
| 027 | 32X0120 | GROMMET Ø 21 | 01/01/1996- |
| 028 | 32X0140 | GROMMET Ø13,5-Ø25 | 01/01/1996- |
| 029 | 32X0230 | GROMMET | 01/01/1996- |
| 030 | 32V1830 | CONDENSER | 14/10/1999- |
| 031 | 32Z2750 | COIL | 01/01/1996- |
| 032 | 32Z3470 | TRANSFORMER | 01/01/1996- |
| 033 | 32V1310 | ENGINE CUTO | 14/10/1999- |
| 034 | 32V1180 | RELAY | 14/10/1999- |
| 035 | 32Z5930 | THERMOMETER | 01/01/1996- |
| 036 | 32Z6000 | STRAY.CONDENS. | 01/01/1996- |
| 037 | 32Z5890 | PRESSURE-SW | 14/10/1999- |
| 038 | 32Z6360 | THERMOSTAT | 01/01/1996- |
| 039 | 33A0510 | DEFROST SOL. VALVE | 01/01/1996- |
| 040 | 33A1200 | AUXIL.VALVE | 01/01/1996- |
| 041 | 33A0180 | FILTER | 01/01/1996- |
| 042 | 34D6210 | COMPRESSOR UNDERCOMPARTMENT | 14/10/1999- |
| 043 | 34D7300 | CONDENSER | 14/10/1999- |
| 044 | 34D2290 | EVAPORATOR ASS.Y | 01/01/1996- |
| 045 | 34D7710 | MOTOR UNIT | 14/10/1999- |
| 046 | 35B5580 | COUNTERPAN. | 01/01/1996- |
| 047 | 35B5760 | SHELF SEPAR.PAN. | 01/01/1996- |
| 048 | 35B6150 | MOTOR ROOM PAN. | 01/01/1996- |
| 049 | 35B8090 | EVAP.GUARD | 01/01/1996- |
| 050 | 35G5990 | COUNTERDOOR | 01/01/1996- |
| 051 | 35G6120 | IST.BOARD COVER | 01/01/1996- |

| Pos | Code | Description | Info |
|-----|---------|------------------------|-------------|
| 052 | 35Q3480 | CONDENSATION CONVEYOR | 01/01/1996- |
| 053 | 35Q7840 | INSTR.BOARD PANEL | 01/01/1996- |
| 054 | 35S6261 | GUIDE | 11/10/1996- |
| 055 | 35S7150 | "Z" PANEL | 01/01/1996- |
| 056 | 35S7160 | "L" PANEL | 01/01/1996- |
| 057 | 35S7220 | MOTOR ROOM RISER | 01/01/1996- |
| 058 | 35S7740 | RH RACK | 01/01/1996- |
| 059 | 35S8110 | SOLENOID VALVE SUPPORT | 01/01/1996- |
| 060 | 35S8120 | SOLENOID VALVE SUP. | 01/01/1996- |
| 061 | 35S8770 | TRAY GUIDE | 01/01/1996- |
| 062 | 35S9370 | INSTR.BOARD CLAMP | 01/01/1996- |
| 063 | 35T4850 | FAN SUPPORT | 01/01/1996- |
| 064 | 35U4810 | RISER CLAMP | 01/01/1996- |
| 065 | 35V0750 | "L" BRACKET | 01/01/1996- |
| 066 | 35V2730 | CONVEYOR | 01/01/1996- |
| 067 | 35V3670 | INSTR.BOARD RISER | 01/01/1996- |
| 068 | 35W3360 | FLUID TANK | 01/01/1996- |
| 069 | 35W4430 | TRAY | 01/01/1996- |
| 070 | 35X0830 | DRAIN | 01/01/1996- |
| 071 | 3600260 | FALSE BOTTOM | 01/01/1996- |
| 072 | 36A2820 | GRID | 01/01/1996- |
| 073 | 36D3820 | PLUG | 01/01/1996- |
| 074 | 36E4780 | CONDENS. DRAIN | 07/09/2004- |
| 076 | 36C3940 | ST-STEEL FO | 22/07/1999- |
| 077 | 36G2810 | BEARING | 01/01/1996- |
| 078 | 36M2800 | KNOB PLATE | 01/01/1996- |
| 079 | 36M4810 | HANDLE | 01/01/1996- |
| 080 | 36M5310 | HANDLE | 01/01/1996- |
| 081 | 36Q1200 | PLUG | 01/01/1996- |
| 082 | 36Q1240 | PLUG | 01/01/1996- |
| 083 | 36Z0300 | COND. TRAY | 01/01/1996- |
| 084 | 37Q3320 | DOOR GASKET | 01/01/1996- |
| 085 | 37Q3330 | PANEL GASKET | 01/01/1996- |
| 086 | 3AA1060 | PANEL BOARD | 01/01/1996- |
| 087 | 6010810 | DOOR ASS.Y | 30/06/2000- |
| 088 | 6300375 | PANEL UNIT | 01/01/1996- |
| 089 | 35B5090 | PANEL SUPPORT | 01/01/1996- |
| 090 | 35V6290 | TRIM | 01/01/1996- |
| 091 | 32Q2910 | CABLE ASS.Y | 01/01/1996- |
| 092 | 35X0560 | CAP.DANFOSS | 14/10/1999- |
| 093 | 36C2020 | FAN GUARD | 14/10/1999- |