

Зип Общепит

vsezip.ru

+7(812)987-08-81



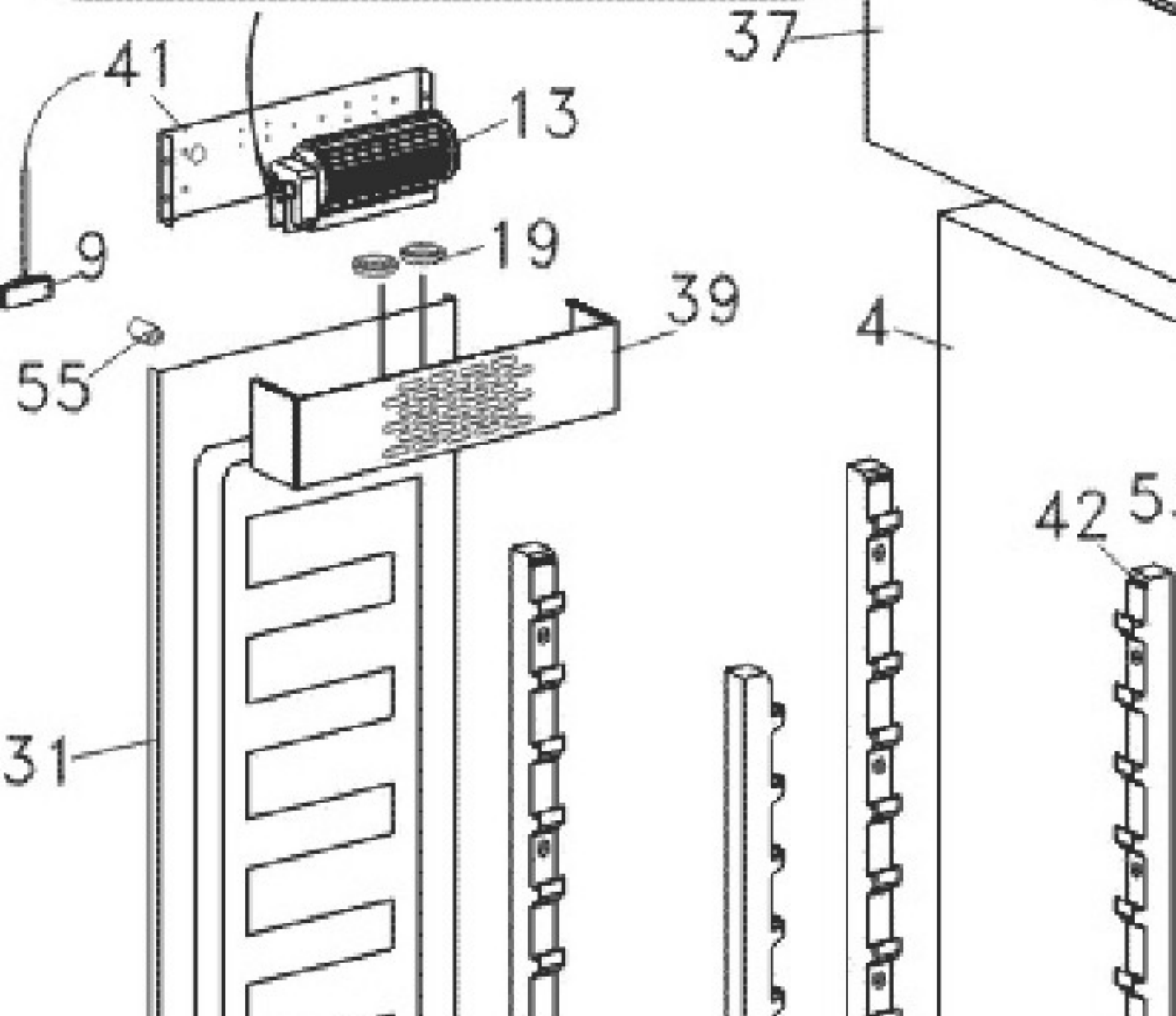
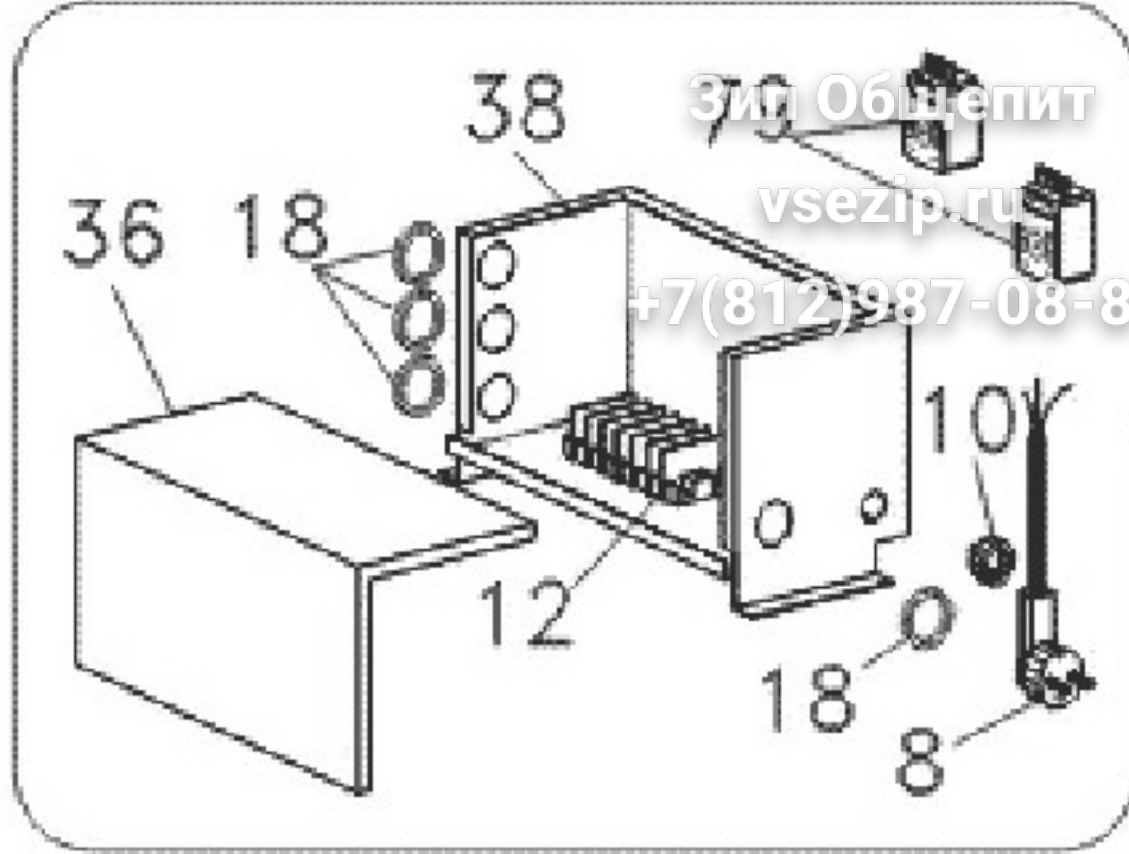
120NN

Edition 20030709-

Зип Общепит

vsezip.ru

+7(812)987-08-81



Pos	Code	Description	Info
002	3178300	PLUG	01/01/1996-
003	6011950	DOOR UNIT	15/12/2001-
004	40K4290	BODY	01/01/1996-
005	30F1000	FRIDGE DOOR	15/12/2001-
006	3AT1150	FOOT HOUSING	10/03/1997-
007	30T5810	BOTTOM BRACKET	01/01/1996-
008	32A2200	POWER SUPPLY CABLE	16/05/1997-
009	36Z0490	ENGINE CUTOUT	30/03/2001-
010	32D0680	CABLE CLAMP	01/01/1996-
011	32D0710	THREE-POLE CONNECTOR	01/01/1996-
012	32D0761	TERMINAL BOARD	28/07/1997-
013	32M5920	TANGENTIAL FAN	23/11/1998-
014	32M1080	FAN	04/08/1999-
015	32M6870	FAN MOTOR	05/12/2001-
016	32W2331	BIPOLAR SWITCH	30/03/2001-
017	32W3190	PILOT-LIGHT 1-POLE SWITCH	01/01/1996-
018	32X0120	GROMMET Ø 21	01/01/1996-
019	32X0140	GROMMET Ø13,5-Ø25	01/01/1996-
020	32V1490	CONDENSER	04/08/1999-
022	32Z2750	COIL	01/01/1996-
023	32V4990	DIGITAL THERMOREGULATOR	30/03/2001-
024	32Z6350	PRESSURE-SWITCH	04/08/1999-
025	6006350	ELECTRONIC THERMOMETER	20/06/1997-
026	32V1260	RELAY	04/08/1999-
027	32V1410	ENGINE CUTOU	04/08/1999-
028	33A0510	DEFROST SOL. VALVE	01/01/1996-
029	33A1200	AUXIL.VALVE	01/01/1996-
030	33A0180	FILTER	01/01/1996-
031	34D0360	ROLL BOND EVAP. 1335 X 430	01/01/1996-
032	34D7300	CONDENSER	04/08/1999-
033	34D7860	MOTOR UNIT	04/08/1999-
034	34D6520	COMPRESSOR	04/08/1999-
035	35D7340	DRAIN GUARD	01/01/1996-
036	35G6350	COVER	01/01/1996-
037	35G6630	MOTOR ROOM HEAD	01/01/1996-
038	35Q2660	PANEL BOARD	01/01/1996-
039	35Q6770	FRIDGE FAN GUARD	01/01/1996-
040	35S3050	TRAY SLIDE	01/01/1996-
041	35T4850	FAN SUPPORT	01/01/1996-
042	35T5060	RACK SUPPORT	01/01/1996-
043	35V0880	STIFFENING	01/01/1996-
044	35V1010	CONTROL BOARD C	30/03/2001-
045	35V1710	TRAY TRIM	01/01/1996-
046	35V2270	STIFFENING	01/01/1996-
047	35W3360	FLUID TANK	01/01/1996-
048	35W4350	TRAY ASS.Y	01/01/1996-
049	35X1730	DRAIN PIPE	01/01/1996-
050	36A3010	GRID 600	01/01/1996-
051	36D3940	FRAME BORDER	01/01/1996-
052	36D1270	TRIM FRAME	01/01/1996-
053	36D1290	TRIM FRAME	01/01/1996-

Pos	Code	Description	Info
054	36D7100	CONDENS. DRAIN	01/01/1996-
055	36D8800	SPACER	01/01/1996-
056	36C3940	ST-STEEL FO	22/07/1999-
057	36D9490	TOP BRACKET	01/01/1996-
058	36D9980	TOP HANDLE GUARD	01/01/1996-
059	36D9990	BOTTOM HANDLE GUARD	01/01/1996-
060	36G6520	HINGE	01/01/1996-
062	36Q1200	PLUG	01/01/1996-
063	36Z0300	COND. TRAY	01/01/1996-
064	36Z6401	CONTROL BOARD	09/07/2003-
065	36Z6410	COMPONENT GUARD	30/03/2001-
066	37Q2590	DOOR GASKET	01/01/1996-
067	3AA4290	CONTROL BOARD	30/03/2001-
068	30D4130	INTERMEDIATE PANEL	01/01/1996-
069	3600770	SPACER	01/01/1996-
072	32W1320	MICROSWITCH	01/01/1996-
073	35G6520	COVER	01/01/1996-
074	35Q7350	MICROSWITCH GUARD	01/01/1996-
075	35V0890	LOCK SUPPORT	01/01/1996-
076	36C2020	FAN GUARD	04/08/1999-
077	32W2990	LIGHT SWITCH	30/03/2001-
078	32W2070	SINGLE-POLE SWITCH	30/03/2001-
079	32Z4910	RELAY	30/03/2001-