

Зип Общепит

[vsezip.ru](http://vsezip.ru)

+7(812)987-08-81



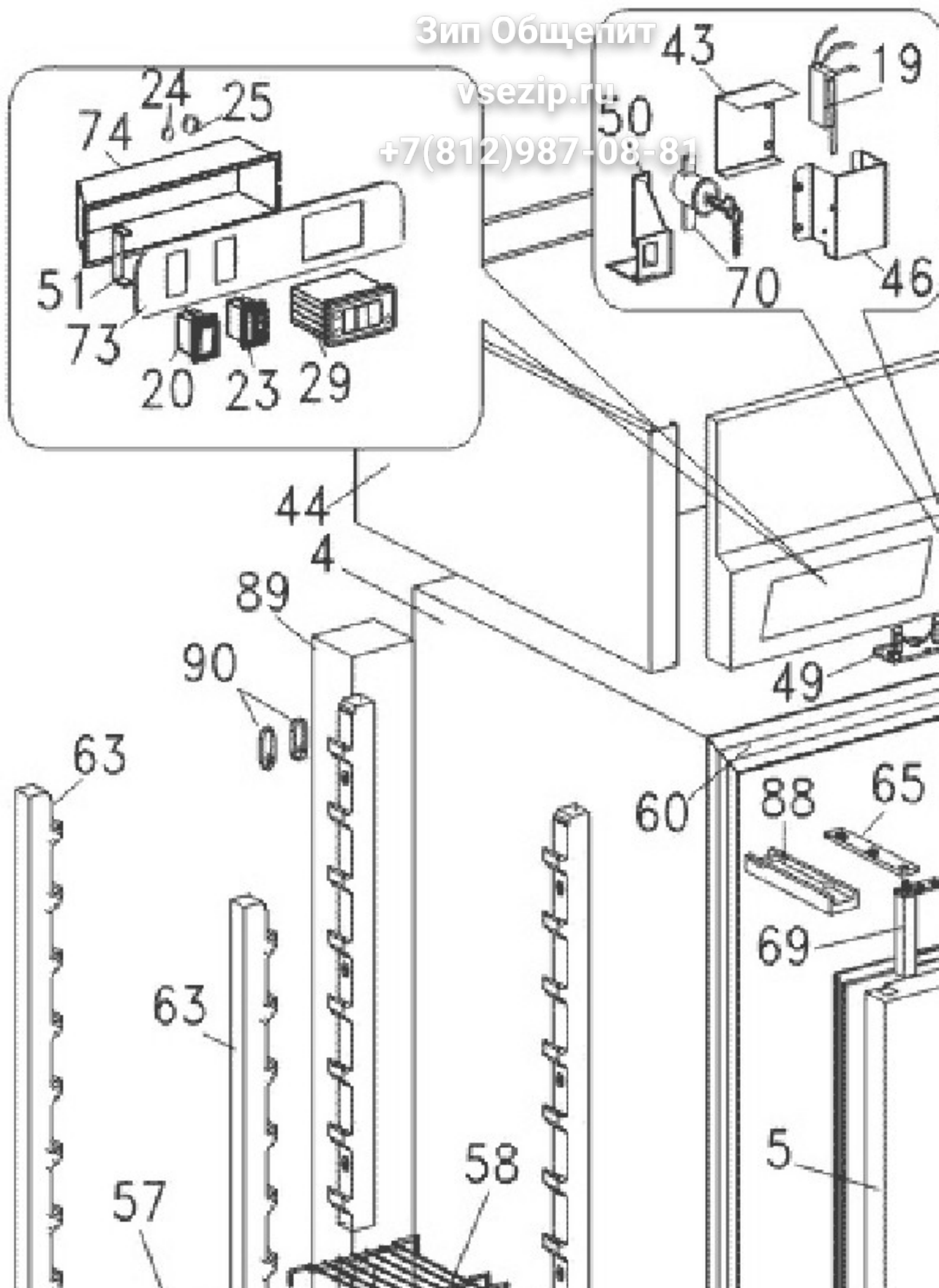
**135-4**

**Edition 20030709-**

Зип Общепит

vsezip.ru

+7(812)987-08-81



Pos	Code	Description	Info
002	3178300	PLUG	29/01/2001-
003	36E2790	CONDENS. DRAIN	19/06/2001-
004	40K4200	BODY	15/05/1997-
005	30F1010	FRIDGE DOOR	15/12/2001-
005	30F1010	FRIDGE DOOR	15/12/2001-
006	30Q2400	LAMP GUARD	15/05/1997-
007	3AT1150	FOOT HOUSING	15/05/1997-
008	30T5920	BOTTOM BRACKET	15/05/1997-
009	32A2200	POWER SUPPLY CABLE	15/05/1997-
010	36Z0490	ENGINE CUTOFF	16/07/1999-
011	32D0020	CABLE CLAMP Ø 4 - 12	16/07/1999-
012	32D0710	THREE-POLE CONNECTOR	15/05/1997-
013	32D0740	TERMINAL BOARD	16/07/1999-
014	32G1810	HEATING ELEMENT	15/05/1997-
015	32M1080	FAN	15/05/1997-
017	32M6870	FAN MOTOR	05/12/2001-
018	32M4041	MOTOR	15/05/1997-
019	32W1320	MICROSWITCH	15/05/1997-
020	32W2331	BIPOLAR SWITCH	15/05/1997-
021	32W2350	LAMP	15/05/1997-
022	32W2360	LAMP-HOLDER	15/05/1997-
023	32W3190	PILOT-LIGHT 1-POLE SWITCH	15/05/1997-
024	32X0120	GROMMET Ø 21	15/05/1997-
025	32X0340	GROMMET	15/05/1997-
026	32V1420	CONDENSER	16/04/1999-
027	32Z2750	COIL	15/05/1997-
029	32V2520	DIGITAL THERMOREGULATOR	16/07/1999-
031	32V1290	RELAY	16/04/1999-
032	32V1450	ENGINE CUTO	16/04/1999-
033	33A1200	AUXIL.VALVE	15/05/1997-
034	33A0180	FILTER	15/05/1997-
035	34D7300	CONDENSER	16/04/1999-
036	34D6760	COMPRESSOR	16/04/1999-
037	34D2610	EVAPORATOR	15/05/1997-
038	34D7290	MOTOR UNIT	16/04/1999-
039	35B9510	CENTRAL EVAP. GUARD	15/05/1997-
040	35P0950	RIGHT EVAP. GUARD	15/06/1998-
041	35P0960	LEFT EVAP. GUARD	15/06/1998-
042	36E0980	PANEL-BOARD COVER	16/07/1999-
043	35G6520	COVER	15/05/1997-
044	35G6560	MOTOR ROOM HEAD	15/05/1997-
045	35R1560	SUPPORT	16/07/1999-
046	35Q7350	MICROSWITCH GUARD	15/05/1997-
047	35S3050	TRAY SLIDE	15/05/1997-
048	35V0360	GUARD SUPPORT	15/05/1997-
049	35V0880	STIFFENING	15/05/1997-
050	35V0890	LOCK SUPPORT	15/05/1997-
051	35V1010	CONTROL BOARD C	16/07/1999-
053	35V1710	TRAY TRIM	15/05/1997-
054	35V2270	STIFFENING	15/05/1997-
055	35V2940	FAN SUPPORT	15/05/1997-

Pos	Code	Description	Info
056	35W4350	TRAY ASS.Y	15/05/1997-
057	36A0710	GRID	06/12/1997-
058	36A3660	UNION GRID	15/05/1997-
059	36D1250	TRIM FRAME	15/05/1997-
060	36D1270	TRIM FRAME	15/05/1997-
061	36D1290	TRIM FRAME	15/05/1997-
062	36C3940	ST-STEEL FO	22/07/1999-
063	36D9470	RACK	15/05/1997-
064	36D9480	LOCK BRACKET	15/05/1997-
065	36D9490	TOP BRACKET	15/05/1997-
066	36D9921	SPACER	15/05/1997-
067	36D9980	TOP HANDLE GUARD	15/05/1997-
068	36D9990	BOTTOM HANDLE GUARD	15/05/1997-
069	36G6520	HINGE	15/05/1997-
070	36M0140	KEY LOCK	15/05/1997-
072	36Z0300	COND. TRAY	15/05/1997-
073	36Z6401	CONTROL BOARD	09/07/2003-
074	36Z6410	COMPONENT GUARD	16/07/1999-
075	36Z6441	PLASTIC-COATED TRAY 860X432X85	15/05/1997-
076	37M4740	LAMP PANEL	15/05/1997-
077	37Q2600	DOOR GASKET	15/05/1997-
078	37Q7370	LAMP GASKET	15/05/1997-
079	3AA3520	CONTROL BOARD	16/07/1999-
080	36D7100	CONDENS. DRAIN	15/05/1997-
081	35X1640	DRAIN TRAP	11/05/1998-
082	36Q1400	PLUG	15/05/1997-
083	33A0510	DEFROST SOL. VALVE	15/05/1997-
084	6011970	DOOR UNIT	15/12/2001-
085	35V2120	RESISTOR FASTENER	15/05/1997-
086	35V2140	RESISTOR FASTENER	15/05/1997-
087	30T5950	CENTRAL RISER	15/05/1997-
088	3600770	SPACER	15/05/1997-
089	3AT1340	BACK RISER	14/07/1998-
090	36G5251	RACK SUPPORT	15/05/1997-
092	6011960	DOOR UNIT	15/12/2001-
093	36C2020	FAN GUARD	15/05/1997-
094	35X1550	DRAIN PIPE	11/05/1998-
095	36M0080	LOCK U BOLT	15/05/1997-
096	36M0090	LOCK BRACKET	15/05/1997-
097	36M1380	LOCKING HOOK	15/05/1997-
098	30T5900	INTERMED. BRACKET	15/05/1997-
100	32Z3470	TRANSFORMER	16/07/1999-
101	30T5910	RH BOTTOM BRACKET	15/05/1997-
102	36D1260	TRIM FRAME	15/05/1997-
103	35X0920	DRAIN PIPE	15/05/1997-
104	3170250	PLUG	29/01/2001-
105	35E2550	SUPPORT	19/06/2001-