

Зип Общепит

vsezip.ru

+7(812)987-08-81



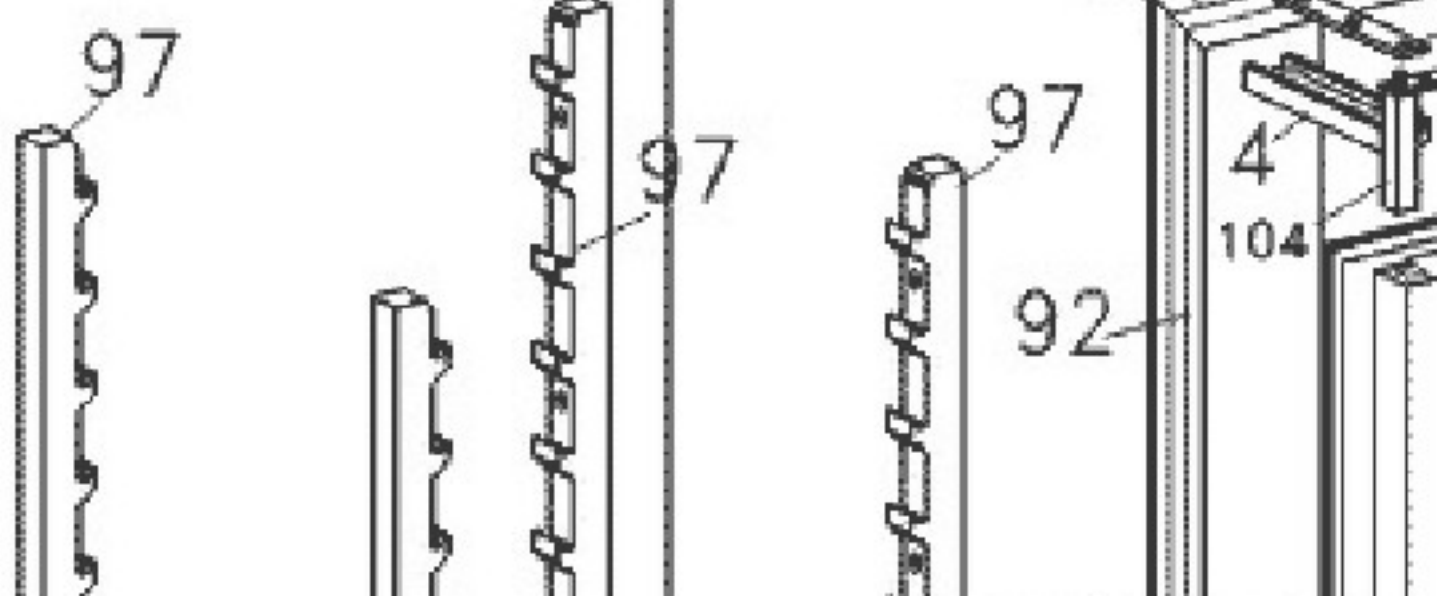
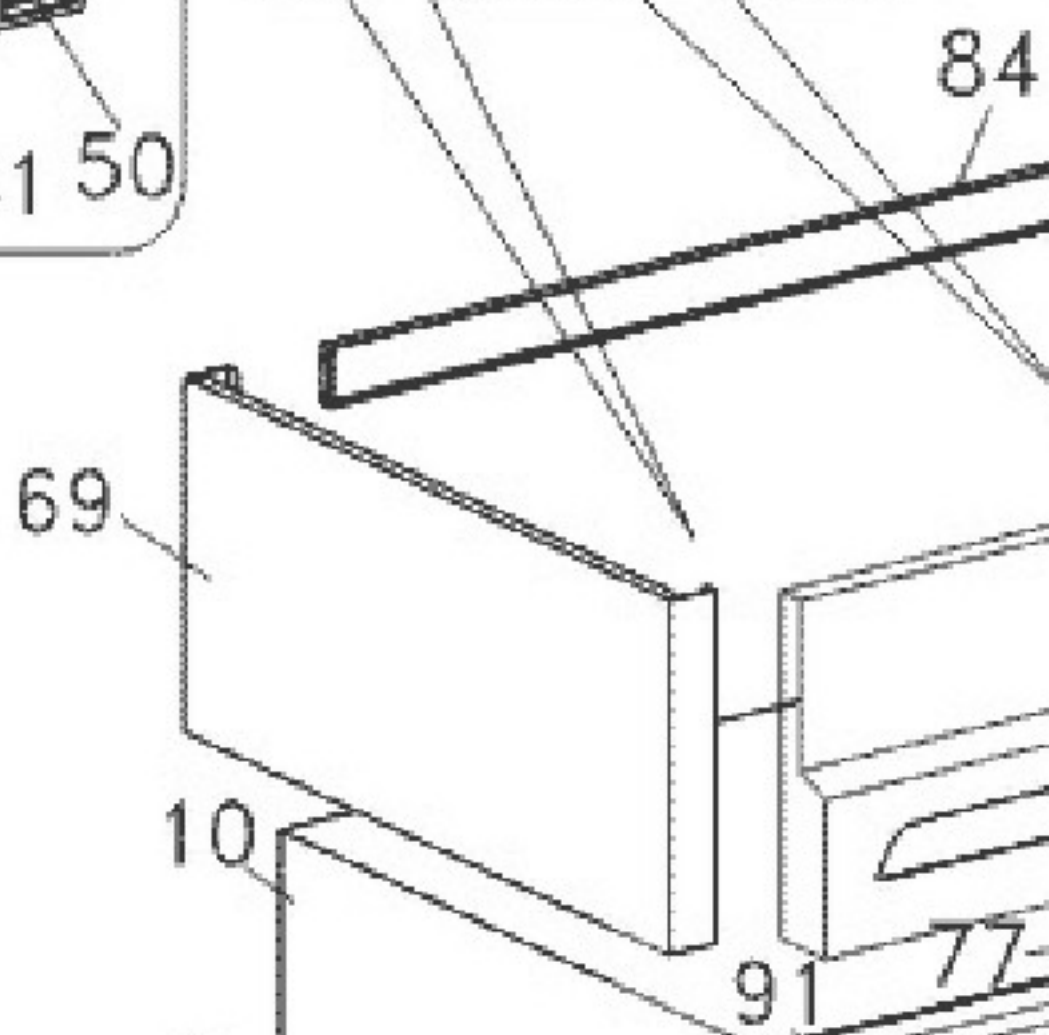
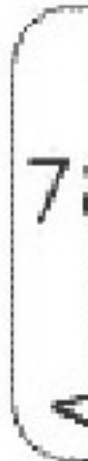
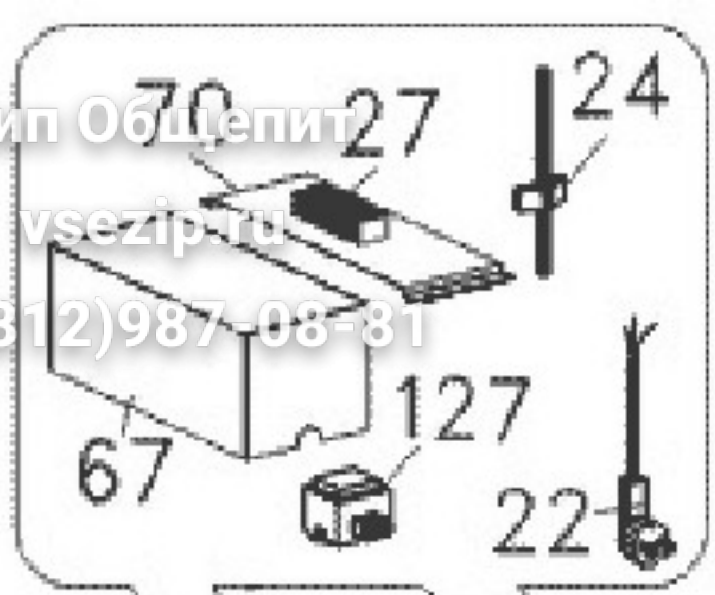
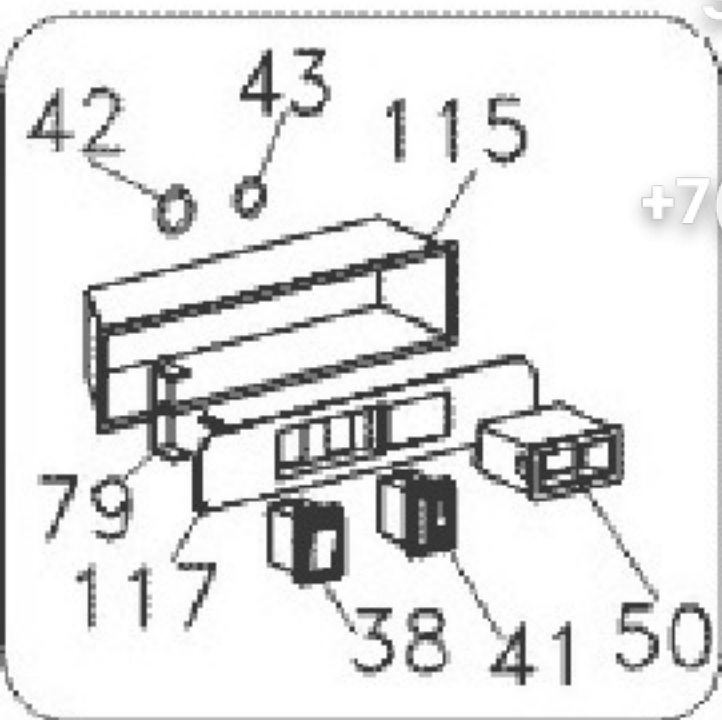
135CPX

Edition 20030709-

Зип Общепит

vsezip.ru

+7(812)987-08-81



Pos	Code	Description	Info
002	3178300	PLUG	29/01/2001-
003	36E2790	CONDENS. DRAIN	19/06/2001-
004	3600770	SPACER	15/02/1998-
005	6011950	DOOR UNIT	15/12/2001-
006	6011960	DOOR UNIT	15/12/2001-
007	6011970	DOOR UNIT	15/12/2001-
008	30A2220	VERTICAL PANEL	15/02/1998-
009	30A2230	HORIZONTAL PANEL	15/02/1998-
010	40K4280	BODY	15/02/1998-
011	30F1000	FRIDGE DOOR	15/12/2001-
012	30F1010	FRIDGE DOOR	15/12/2001-
012	30F1010	FRIDGE DOOR	15/12/2001-
013	30Q2380	EVAPORATOR GUARD	15/02/1998-
014	3AT1150	FOOT HOUSING	15/02/1998-
015	30T5810	BOTTOM BRACKET	15/02/1998-
016	3AT1040	RACK	15/02/1998-
017	3AT1060	BACK HALF-RI	15/02/1998-
018	30T5890	BACK HALF-RISER	15/02/1998-
019	30T5900	INTERMED. BRACKET	15/02/1998-
020	30T5910	RH BOTTOM BRACKET	15/02/1998-
021	30W2990	TRAY DRAWER	15/02/1998-
022	32A2200	POWER SUPPLY CABLE	15/02/1998-
023	36Z0490	ENGINE CUTOUT	04/08/1999-
024	32D0020	CABLE CLAMP Ø 4 - 12	04/08/1999-
026	32D0710	THREE-POLE CONNECTOR	15/02/1998-
027	32D0740	TERMINAL BOARD	04/08/1999-
028	32G1820	HEATING ELEMENT	15/02/1998-
029	32G1881	RESISTOR	28/06/1999-
030	32M5920	TANGENTIAL FAN	23/11/1998-
032	32M2510	FAN	20/11/1999-
033	32M3280	FAN	15/02/1998-
034	32M6860	FAN MOTOR	10/12/2001-
035	32M6870	FAN MOTOR	05/12/2001-
037	32W1320	MICROSWITCH	15/02/1998-
038	32W2331	BIPOLAR SWITCH	15/02/1998-
039	32W2350	LAMP	15/02/1998-
040	32W2360	LAMP-HOLDER	15/02/1998-
041	32W3190	PILOT-LIGHT 1-POLE SWITCH	15/02/1998-
042	32X0120	GROMMET Ø 21	04/08/1999-
043	32X0340	GROMMET	15/02/1998-
044	32Z1290	CONDENSER	26/11/1998-
045	32Z2750	COIL	15/02/1998-
047	34D4781	CONDEN.+BAFFLE	26/11/1998-
047	34D6490	CONDENSER	20/11/1999-
048	32V1820	ENGINE CUTOUT	26/11/1998-
049	32V1810	RELAY	26/11/1998-
050	32V2520	DIGITAL THERMOREGULATOR	04/08/1999-
053	32Z2570	RELAY	20/11/1999-
054	32V2580	ENGINE CUTOU	20/11/1999-
055	33A0510	DEFROST SOL. VALVE	15/02/1998-
056	33A0180	FILTER	15/02/1998-

Pos	Code	Description	Info
057	33A1200	AUXIL.VALVE	15/02/1998-
058	34D7160	COMPRESSOR	26/11/1998-
060	34D2600	EVAPORATOR	15/02/1998-
061	34D7280	MOTOR UNIT	26/11/1998-
062	34D7420	MOTOR UNIT	20/11/1999-
063	34D7680	COMPRESSOR R134a (TN)	20/11/1999-
064	35A9020	FAN GUARD	15/02/1998-
065	3AA3590	CONTROL BOARD	04/08/1999-
066	35D5640	CONDENSATION CONVEYOR	15/02/1998-
067	36E0980	PANEL-BOARD COVER	04/08/1999-
068	35G6520	COVER	15/02/1998-
069	35G6550	MOTOR ROOM HEAD	15/02/1998-
070	35R1560	SUPPORT	04/08/1999-
071	35Q7350	MICROSWITCH GUARD	15/02/1998-
072	35S3050	TRAY SLIDE	15/02/1998-
073	35V2880	FAN SUPPORT	15/02/1998-
074	35U4250	FAN SUPPORT	15/02/1998-
075	35V0360	GUARD SUPPORT	15/02/1998-
076	35V0370	FRONT GUARD SUPPORT	15/02/1998-
077	35V0880	STIFFENING	15/02/1998-
078	35V0890	LOCK SUPPORT	15/02/1998-
079	35V1010	CONTROL BOARD C	04/08/1999-
080	35V1490	BACK SUPPORT	15/02/1998-
081	35V1710	TRAY TRIM	20/11/1999-
082	35V1760	RACK SUPPORT	15/02/1998-
083	35V2130	RESISTOR FASTENER	15/02/1998-
084	35V2270	STIFFENING	15/02/1998-
085	35W4360	TRAY ASS.Y	15/02/1998-
086	35X1460	X16 PIPE	15/02/1998-
087	35X1640	DRAIN TRAP	15/02/1998-
088	36A0710	GRID	15/02/1998-
089	36D1250	TRIM FRAME	15/02/1998-
090	36D1260	TRIM FRAME	15/02/1998-
091	36D1270	TRIM FRAME	15/02/1998-
092	36D1290	TRIM FRAME	15/02/1998-
093	36D2730	PLUG	15/02/1998-
094	36D7100	CONDENS. DRAIN	15/02/1998-
097	36D9470	RACK	15/02/1998-
098	36D9480	LOCK BRACKET	15/02/1998-
099	36D9490	TOP BRACKET	15/02/1998-
100	36C3940	ST-STEEL FO	22/07/1999-
101	36D9980	TOP HANDLE GUARD	15/02/1998-
102	36D9990	BOTTOM HANDLE GUARD	15/02/1998-
103	36G5250	RACK SUPPORT	15/02/1998-
104	36G6520	HINGE	15/02/1998-
105	36M0080	LOCK U BOLT	15/02/1998-
106	36M0090	LOCK BRACKET	15/02/1998-
107	36M1380	LOCKING HOOK	15/02/1998-
108	36M4930	RH GUIDE	15/02/1998-
109	36M4950	LH GUIDE	15/02/1998-
110	36M0140	KEY LOCK	15/02/1998-

Pos	Code	Description	Info
112	36Q1400	PLUG	15/02/1998-
113	36Z0291	PLASTIC COATED TRAY	15/02/1998-
114	36Z0300	COND. TRAY	15/02/1998-
115	36Z6410	COMPONENT GUARD	04/08/1999-
116	36Z6431	"TRAY ""TN"" 460X385X85"	15/02/1998-
117	36Z6401	CONTROL BOARD	09/07/2003-
118	37M4740	LAMP PANEL	15/02/1998-
119	37Q2590	DOOR GASKET	15/02/1998-
120	37Q2600	DOOR GASKET	15/02/1998-
121	37Q7370	LAMP GASKET	15/02/1998-
122	34D0690	EVAPORATOR	15/02/1998-
125	36C2031	FAN GUARD	15/02/1998-
126	32V3470	DIGITAL THERMOREGULATOR	04/08/1999-
127	32Z3470	TRANSFORMER	04/08/1999-
128	34D6180	CONDEN.+BAFFLE	26/11/1998-
129	32V1830	CONDENSER	20/11/1999-
130	35P2220	EVAP. GUAR	20/11/1999-
131	3170250	PLUG	29/01/2001-
132	35E2550	SUPPORT	19/06/2001-