

Зип Общепит

vsezip.ru

+7(812)987-08-81



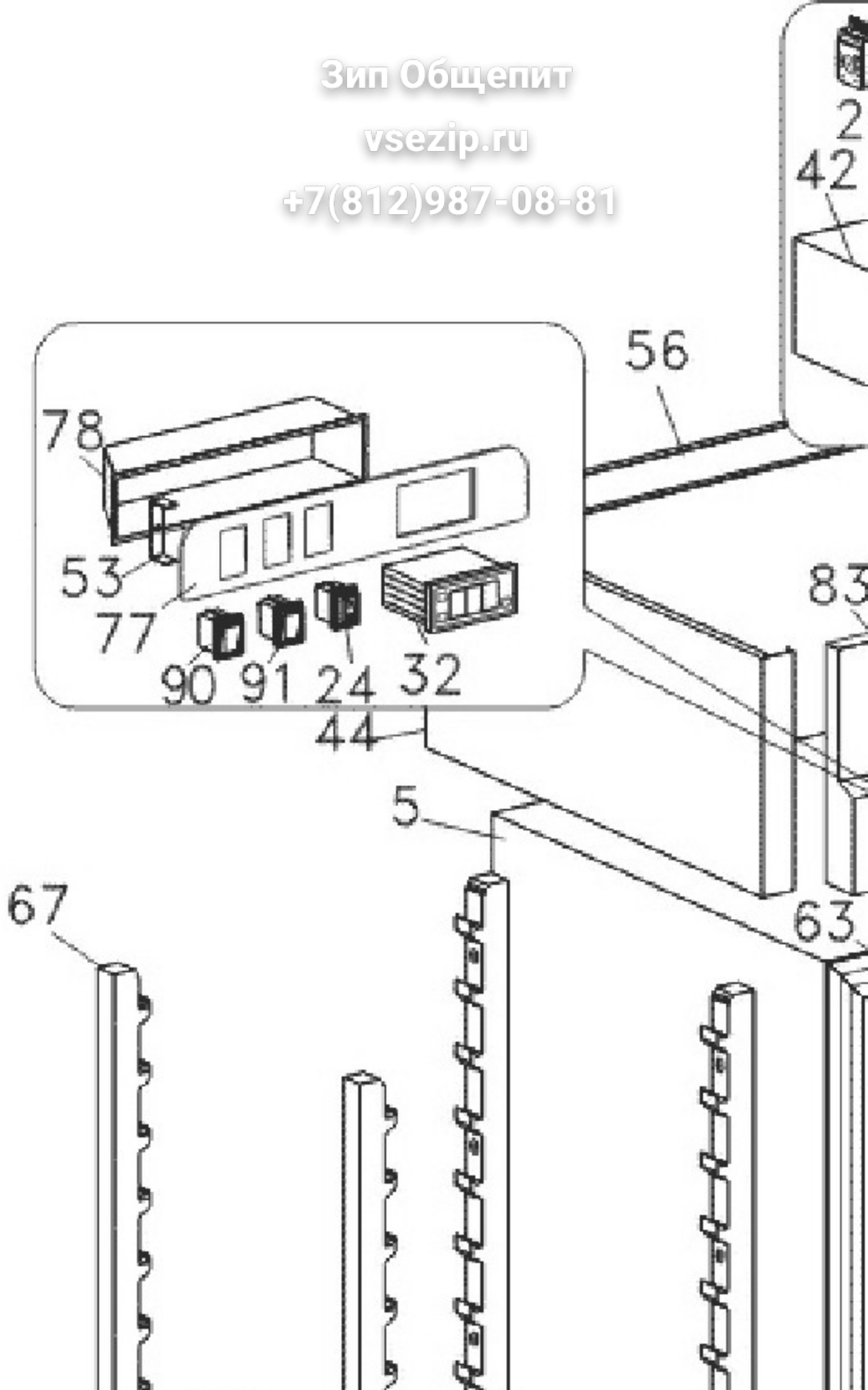
135NN

Edition 20030709-

Зип Общепит

vsezip.ru

+7(812)987-08-81



| Pos | Code | Description | Info |
|-----|---------|---------------------------|-------------|
| 002 | 3178300 | PLUG | 01/01/1996- |
| 003 | 36E2790 | CONDENS. DRAIN | 19/06/2001- |
| 004 | 6011950 | DOOR UNIT | 15/12/2001- |
| 005 | 40K7050 | BODY | 01/01/1996- |
| 006 | 30F1000 | FRIDGE DOOR | 15/12/2001- |
| 007 | 3AA2390 | EVAP.GUARD | 08/11/1996- |
| 008 | 3AT1150 | FOOT HOUSING | 10/03/1997- |
| 009 | 30T5810 | BOTTOM BRACKET | 01/01/1996- |
| 010 | 32A2200 | POWER SUPPLY CABLE | 16/05/1997- |
| 011 | 36Z0490 | ENGINE CUTOUT | 29/07/1999- |
| 012 | 32D0680 | CABLE CLAMP | 01/01/1996- |
| 013 | 32D0710 | THREE-POLE CONNECTOR | 01/01/1996- |
| 014 | 32D0761 | TERMINAL BOARD | 01/01/1996- |
| 015 | 32G1820 | HEATING ELEMENT | 01/01/1996- |
| 016 | 32M1080 | FAN | 01/01/1996- |
| 017 | 32M3280 | FAN | 01/01/1996- |
| 018 | 32M6860 | FAN MOTOR | 10/12/2001- |
| 019 | 32M6870 | FAN MOTOR | 05/12/2001- |
| 020 | 32W1320 | MICROSWITCH | 01/01/1996- |
| 021 | 32W2331 | BIPOLAR SWITCH | 29/07/1999- |
| 022 | 32W2350 | LAMP | 01/01/1996- |
| 023 | 32W2360 | LAMP-HOLDER | 01/01/1996- |
| 024 | 32W3190 | PILOT-LIGHT 1-POLE SWITCH | 01/01/1996- |
| 025 | 32X0120 | GROMMETØ 21 | 01/01/1996- |
| 026 | 32X0340 | GROMMET | 01/01/1996- |
| 027 | 32V1420 | CONDENSER | 08/06/1999- |
| 028 | 32Z2750 | COIL | 01/01/1996- |
| 029 | 32Z2421 | DEFROST TIMER | 01/01/1996- |
| 030 | 32V1450 | ENGINE CUTO | 08/06/1999- |
| 031 | 32V1290 | RELAY | 08/06/1999- |
| 032 | 32V2690 | DIGITAL THERMOREGULATOR | 29/07/1999- |
| 035 | 33A0510 | DEFROST SOL. VALVE | 01/01/1996- |
| 036 | 33A1200 | AUXIL.VALVE | 01/01/1996- |
| 037 | 33A0180 | FILTER | 01/01/1996- |
| 038 | 34D6760 | COMPRESSOR | 08/06/1999- |
| 039 | 34D7300 | CONDENSER | 08/06/1999- |
| 040 | 34D2600 | EVAPORATOR | 01/01/1996- |
| 041 | 34D9380 | MOTOR UNIT | 06/07/2000- |
| 042 | 35G6350 | COVER | 01/01/1996- |
| 043 | 35G6520 | COVER | 01/01/1996- |
| 044 | 35G6560 | MOTOR ROOM HEAD | 01/01/1996- |
| 045 | 35Q2660 | PANEL BOARD | 01/01/1996- |
| 046 | 35Q7350 | MICROSWITCH GUARD | 01/01/1996- |
| 047 | 35S3050 | TRAY SLIDE | 01/01/1996- |
| 048 | 35V2880 | FAN SUPPORT | 01/01/1996- |
| 049 | 35V0360 | GUARD SUPPORT | 01/01/1996- |
| 050 | 35V0370 | FRONT GUARD SUPPORT | 01/01/1996- |
| 051 | 35V0880 | STIFFENING | 01/01/1996- |
| 052 | 35V0890 | LOCK SUPPORT | 01/01/1996- |
| 053 | 35V1010 | CONTROL BOARD C | 29/07/1999- |
| 054 | 35V1710 | TRAY TRIM | 01/01/1996- |

| Pos | Code | Description | Info |
|-----|---------|--------------------------|-------------|
| 055 | 35V2130 | RESISTOR FASTENER | 01/01/1996- |
| 056 | 35V2270 | STIFFENING | 01/01/1996- |
| 057 | 35W3360 | FLUID TANK | 01/01/1996- |
| 058 | 35W4350 | TRAY ASS.Y | 01/01/1996- |
| 059 | 35X1640 | DRAIN TRAP | 01/01/1996- |
| 060 | 35X1740 | DRAIN PIPE | 01/01/1996- |
| 061 | 36A0710 | GRID | 06/12/1997- |
| 062 | 36D3940 | FRAME BORDER | 01/01/1996- |
| 063 | 36D1270 | TRIM FRAME | 01/01/1996- |
| 064 | 36D1290 | TRIM FRAME | 01/01/1996- |
| 065 | 36D7100 | CONDENS. DRAIN | 05/12/1998- |
| 066 | 36C3940 | ST-STEEL FO | 22/07/1999- |
| 067 | 36D9470 | RACK | 01/01/1996- |
| 068 | 36D9480 | LOCK BRACKET | 01/01/1996- |
| 069 | 36D9490 | TOP BRACKET | 01/01/1996- |
| 070 | 36D9980 | TOP HANDLE GUARD | 01/01/1996- |
| 071 | 36D9990 | BOTTOM HANDLE GUARD | 01/01/1996- |
| 072 | 36G6520 | HINGE | 01/01/1996- |
| 073 | 36M0140 | KEY LOCK | 01/01/1996- |
| 075 | 36Q1400 | PLUG | 01/01/1996- |
| 076 | 36Z0300 | COND. TRAY | 01/01/1996- |
| 077 | 36Z6401 | CONTROL BOARD | 09/07/2003- |
| 078 | 36Z6410 | COMPONENT GUARD | 29/07/1999- |
| 079 | 36Z6431 | "TRAY ""TN"" 460X385X85" | 01/01/1996- |
| 080 | 37M4740 | LAMP PANEL | 01/01/1996- |
| 081 | 37Q2590 | DOOR GASKET | 01/01/1996- |
| 082 | 37Q7370 | LAMP GASKET | 01/01/1996- |
| 083 | 3AA3580 | CONTROLBOARD | 29/07/1999- |
| 084 | 30A2130 | INTERMEDIATE PANEL | 01/01/1996- |
| 085 | 3600770 | SPACER | 01/01/1996- |
| 088 | 36C2020 | FAN GUARD | 01/01/1996- |
| 089 | 35X4600 | DRAIN PIPE | 05/12/1998- |
| 090 | 32W2990 | LIGHT SWITCH | 29/07/1999- |
| 091 | 32W2070 | SINGLE-POLE SWITCH | 29/07/1999- |
| 092 | 32Z1090 | THERMOSTAT | 18/07/2000- |
| 093 | 32Z4910 | RELAY | 06/07/2000- |
| 094 | 35E2550 | SUPPORT | 19/06/2001- |