

Зип Общепит

vsezip.ru

+7(812)987-08-81



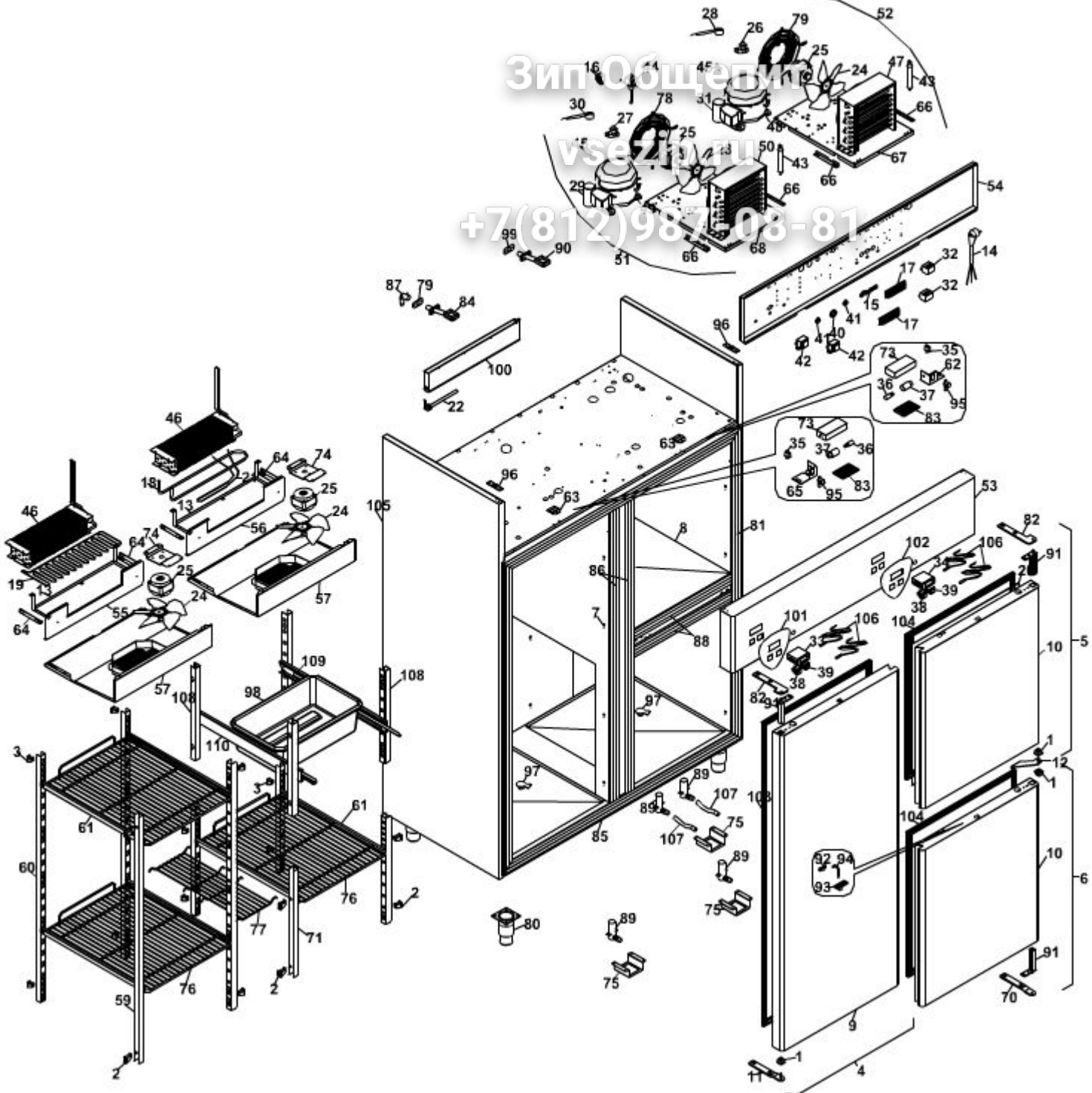
CX150CP

Edition 20050223-

Зип-Общепит

vsen.ru

+7(812)987-08-81



Pos	Code	Description	Info
001	3178300	PLUG	30/06/2002-
002	3601350	RACK SUPPORT	21/02/2003-
003	3601360	RACK SUPPORT	21/02/2003-
004	60A0760	DOOR UNIT	10/09/2002-
005	60A0770	DOOR UNIT	10/09/2002-
006	60A0780	DOOR UNIT	10/09/2002-
007	30A6240	INTERMEDIATE PANEL	21/02/2003-
008	30A5280	INTERMEDIATE PANEL	30/06/2002-
009	30F1090	FRIDGE DOOR	10/09/2002-
010	30F1100	FRIDGE DOOR	10/09/2002-
011	30T4510	BOTTOM BRACKET	30/06/2002-
012	30T6760	INTERMED. BRACKET	30/06/2002-
013	30W3850	COND. TRAY	30/06/2002-
014	32A2200	POWER SUPPLY CABLE	30/06/2002-
015	32D0020	CABLE CLAMP Ø 4 - 12	30/06/2002-
016	32D0710	THREE-POLE CONNECTOR	30/06/2002-
017	32D0740	TERMINAL BOARD	30/06/2002-
018	32G0350	HEATING ELEMENT	30/06/2002-
019	32G1010	HEATING ELEMENT	30/06/2002-
020	32G1881	RESISTOR	30/06/2002-
021	32G2420	HEATING ELEMENT	30/06/2002-
022	32G3310	RESISTOR	23/02/2005-
023	32M1080	FAN	30/06/2002-
024	32M2510	FAN	30/06/2002-
025	32M6870	FAN MOTOR	30/06/2002-
026	32V1210	RELAY	30/06/2002-
027	32V1290	RELAY	30/06/2002-
028	32V1360	ENGINE CUTOUT	30/06/2002-
029	32V1420	CONDENSER	30/06/2002-
030	32V1450	ENGINE CUTO	30/06/2002-
031	32V1490	CONDENSER	30/06/2002-
032	32V3720	RELAY	30/06/2002-
033	32V6070	THERMOREGULATOR	30/06/2002-
034	32V6300	THERMOREGULATOR	30/06/2002-
035	32W3770	MICROSWITCH	30/06/2002-
036	32W3790	LIGHT	30/06/2002-
037	32W3800	LAMP-HOLDER	30/06/2002-
038	32W3850	humidity selection switch	30/06/2002-
039	32W3970	BIPOLAR SWITCH	30/06/2002-
040	32X0120	GROMMET Ø 21	30/06/2002-
041	32X0140	GROMMET Ø13,5-Ø25	30/06/2002-
042	32Z3470	TRANSFORMER	30/06/2002-
043	33A0180	FILTER	30/06/2002-
044	33A0510	DEFROST SOL. VALVE	30/06/2002-
045	33A1200	AUXIL.VALVE	30/06/2002-
046	34D4260	EVAPORATOR	30/06/2002-
047	34D6180	CONDEN.+BAFFLE	30/06/2002-
048	34D6390	COMPRESSOR R134a (TN)	30/06/2002-
049	34D6760	COMPRESSOR	30/06/2002-
050	34D7300	CONDENSER	30/06/2002-
051	34E0150	MOTOR UNIT	30/06/2002-

Pos	Code	Description	Info
052	34E0790	MOTOR UNIT	30/06/2002-
053	35E7050	CONTROL BOARD	30/06/2002-
054	35H4240	COMPONENT GUARD	20/02/2004-
055	35P3570	CLOSING PLATE	30/06/2002-
056	35P3620	CLOSING PLATE	30/06/2002-
057	3AQ0140	EVAPORATOR GUARD	02/08/2002-
059	35R9121	RACK	30/06/2002-
060	35R9131	RACK	30/06/2002-
061	35R9140	GUIDE	21/02/2003-
062	35R9260	LOCK SUPPORT	30/06/2002-
063	35R9320	SUPPORT	30/06/2002-
064	35R9850	PROTECTION SUPPORT	30/06/2002-
065	35U4230	LOCK SUPPORT	30/06/2002-
066	35V1710	TRAY TRIM	30/06/2002-
067	35W0462	TRAY ASS.Y	30/06/2002-
068	35W4350	TRAY ASS.Y	30/06/2002-
070	35Y1680	BOTTOM BRACKET	30/06/2002-
071	35Y2190	RACK	21/02/2003-
072	35Y2210	RACK	21/02/2003-
073	35Y3090	LAMP GUARD	30/06/2002-
074	35Y3830	FAN SUPPORT	30/06/2002-
075	35Y5140	DRAIN GUARD	16/07/2002-
076	36A0710	GRID	30/06/2002-
077	36A4780	UNION GRID	30/06/2002-
078	36C2020	FAN GUARD	30/06/2002-
079	36C2031	FAN GUARD	30/06/2002-
080	36C5600	FOOT	18/11/2002-
081	36E2110	FRAME TRIM	30/06/2002-
082	36E2120	TOP BRACKET	30/06/2002-
083	36E2240	LAMP PROTECTION GLASS SLIDE	30/06/2002-
084	36E2270	CONDENS. DRAIN	30/06/2002-
085	36E2280	FRAME TRIM	30/06/2002-
086	36E2300	FRAME TRIM	30/06/2002-
087	36E4750	CONDENS. DRAIN	25/01/2003-
088	36E2420	FRAME TRIM	30/06/2002-
089	36E2510	CONDENS. DRAIN	16/07/2002-
090	36E3330	CONDENS. DRAIN	30/06/2002-
091	36G6520	HINGE	30/06/2002-
092	36M0080	LOCK U BOLT	30/06/2002-
093	36M0090	LOCK BRACKET	30/06/2002-
094	36M1380	LOCKING HOOK	30/06/2002-
095	36M7070	KEY LOCK	30/06/2002-
096	36M7080	HINGE	30/06/2002-
097	36Q1880	DRAIN PLUG	30/06/2002-
098	36Z0291	PLASTIC COATED TRAY	30/06/2002-
099	36Z1410	GASKET	30/06/2002-
100	36Z1530	COND. TRAY	30/06/2002-
101	37N3270	SILK-SCREE.PANEL	30/06/2002-
102	37N3390	SILK-SCREE.PANEL	30/06/2002-
103	37Q4370	DOOR GASKET	30/06/2002-
104	37Q4470	DOOR GASKET	30/06/2002-

Pos	Code	Description	Info
105	40K0704	BODY	30/06/2002-
106	32V3730	NTC PROBE	30/06/2002-
107	35X1640	DRAIN TRAP	16/07/2002-
108	35Y7390	RACK	21/02/2003-
109	36M7660	RH GUIDE	21/02/2003-
110	36M7670	LH GUIDE	21/02/2003-