

Зип Общепит

vsezip.ru

+7(812)987-08-81



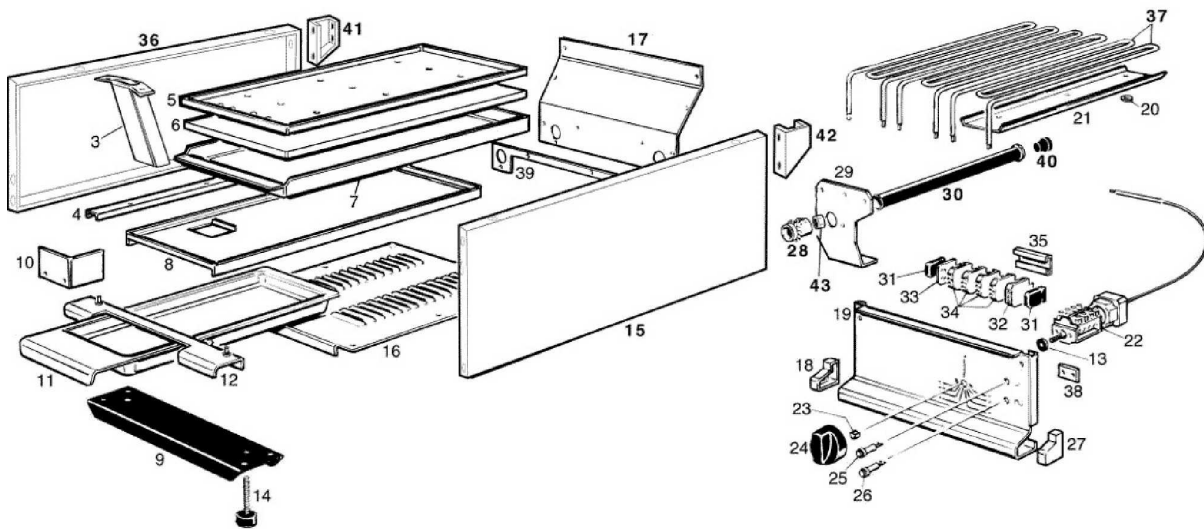
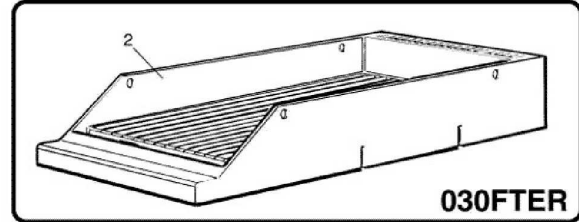
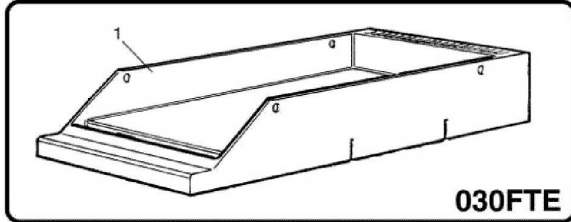
030FTE

Edition 20070523-

Зип Ощепит

vsezip.ru

+7(812)987-08-81



Pos	Code	Description	Info
001	30M2210	SMOOTH PLATE ASS. Y	01/09/1996-
003	3AD0020	CONVEYOR ASS.Y	01/09/1996-
004	35T8011	"U" BRACKET	01/09/1996-
005	35T5390	HEATING EL. SUPPORT	01/09/1996-
006	37Q2430	INSULATING PANEL	01/09/1996-
007	35A3961	INSULATION PANEL COVER	01/09/1996-
008	3AT0370	TRAY SUPPORT ASS. Y	01/09/1996-
009	30T2531	FOOT HOUSING ASS. Y	01/09/1996-
010	35S5300	"L" BRACKET	01/09/1996-
011	35W3200	DRIP TRAY	01/09/1996-
012	35B4070	BRACKET	01/09/1996-
013	3150790	THERMOSTAT PROTECT.	01/09/1996-
014	36D2970	ADJUSTABLE FOOT	01/09/1996-
015	35C0600	RH PANEL	01/09/1996-
016	35D4460	BOTTOM PLATE	01/09/1996-
017	35B2022	REAR PANEL	01/09/1996-
018	36D3430	LH END SIDE	01/09/1996-
019	35B4110	UPPER CONTROL BOARD	01/09/1996-
020	3121430	WASHER	01/09/1996-
021	35S0560	"U" BRACKET	01/09/1996-
022	32Z3790	THERMOSTAT 100- 300° C	01/09/1996-
023	3170290	KNOB SPRING	01/09/1996-
024	36M2400	ELECTRIC CONTROL KNOB	01/09/1996-
025	3106710	GREEN LIGHT 230V	23/05/2007-
026	3106730	ORANGE LIGHT 230V	23/05/2007-
027	36D3420	RH END SIDE	01/09/1996-
028	32D1250	PIPE JOINT 3/4"	01/09/1996-
029	35S5020	"L" BRACKET	01/09/1996-
030	35X3600	CABLE INLET PIPE	01/09/1996-
031	32D0060	TERMINAL CLAMPING BOARD	01/09/1996-
032	32D0480	GROUND TERMINAL	01/09/1996-
033	32D0490	TERMINAL END COVER	01/09/1996-
034	32D0470	LIVE TERMINAL	01/09/1996-
035	32D0500	"C" BRACKET	01/09/1996-
036	35C0590	LH PANEL	01/09/1996-
037	32G1262	HEATING ELEMENT	01/09/1996-
038	35T9650	FLAT BRACKET	01/09/1996-
039	35S5310	STIFFENING	01/09/1996-
040	32D1260	BUSHING	01/09/1996-
041	35Q8290	LEFT HAND PANEL	01/09/1996-
042	35Q8300	RIGHT HAND PANEL	01/09/1996-
043	36Q1100	LOCK NUT 3/4"	01/09/1996-
044	32Q2670	CABLE ASS.Y	01/09/1996-