

Зип Общепит

vsezip.ru

+7(812)987-08-81



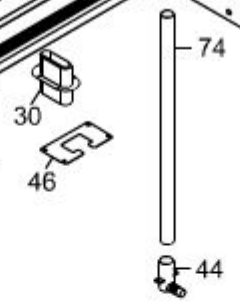
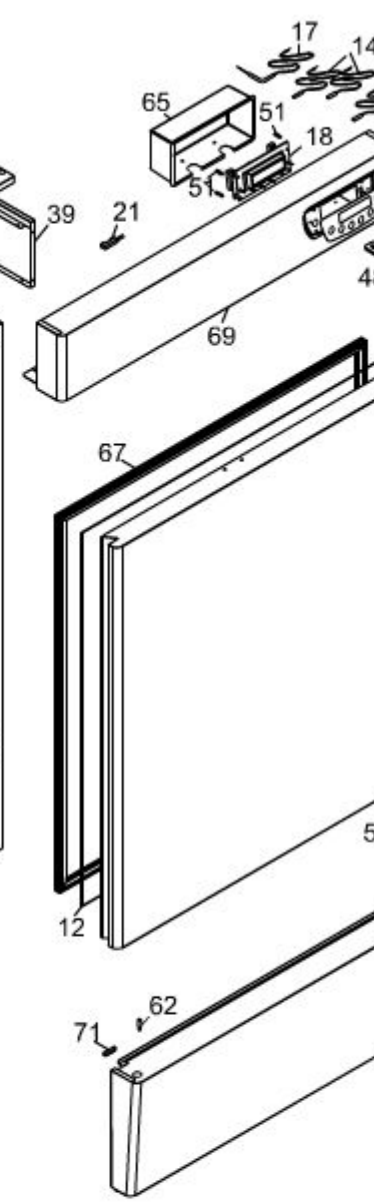
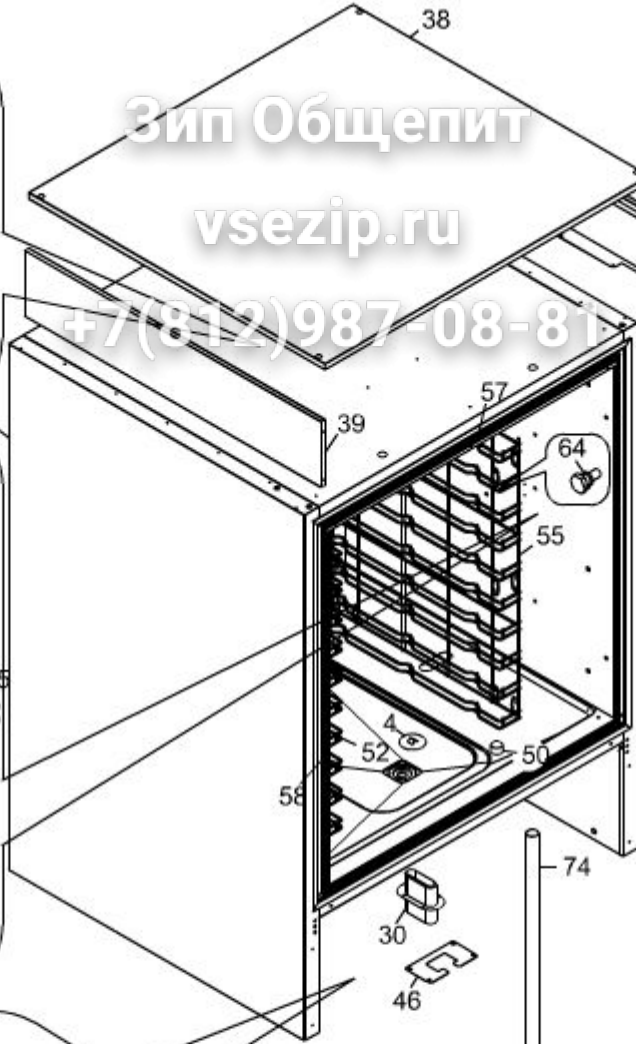
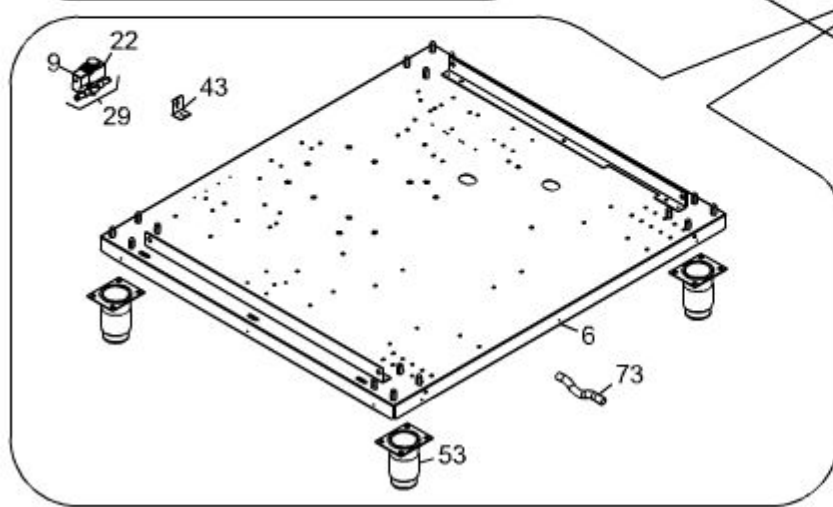
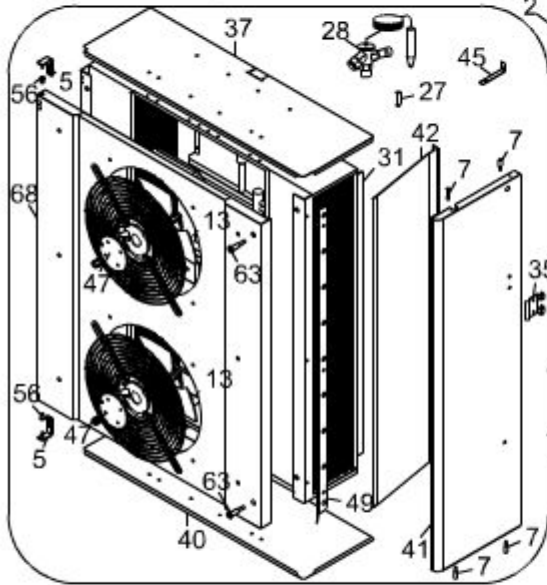
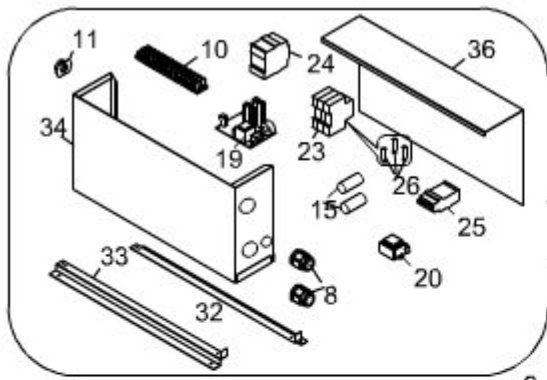
**IS102SR**

**Edition 20091201-**

Зип Общепит

vsezip.ru

+7(812)987-08-81



| Pos | Code    | Description          | Info        |
|-----|---------|----------------------|-------------|
| 001 | 6014920 | DOOR UNIT            | 01/03/2005- |
| 002 | 3078910 | FRAME                | 23/06/2006- |
| 003 | 30F1150 | DOOR                 | 01/03/2005- |
| 004 | 30G3710 | PLUG                 | 01/03/2005- |
| 005 | 30T2690 | BRACKET              | 01/03/2005- |
| 006 | 30W5100 | TRAY X ASSEMBLY      | 01/03/2005- |
| 007 | 31X0330 | PIN                  | 01/03/2005- |
| 008 | 32D0220 | CABLE CLAMP Ø 16     | 01/03/2005- |
| 009 | 32D0710 | THREE-POLE CONNECTOR | 01/03/2005- |
| 010 | 32D1300 | TERMINAL BOARD       | 01/03/2005- |
| 011 | 32D1350 | CABLE CLAMP          | 01/03/2005- |
| 012 | 32G3500 | RESISTOR             | 01/03/2005- |
| 013 | 32M7050 | FAN                  | 01/03/2005- |
| 014 | 32V3730 | NTC PROBE            | 01/03/2005- |
| 015 | 32V5380 | CONDENSER            | 01/03/2005- |
| 016 | 32V6010 | EVAPORATOR PROBE     | 01/03/2005- |
| 017 | 32V7960 | NTC PIN PROBE        | 01/03/2005- |
| 018 | 3049200 | ELECTRONIC CARD      | 20/04/2005- |
| 019 | 3080200 | PART.MODULE          | 30/06/2006- |
| 020 | 32V8320 | TRANSFORMER          | 01/03/2005- |
| 021 | 32W4310 | MICROSWITCH          | 01/03/2005- |
| 022 | 32Z2750 | COIL                 | 01/03/2005- |
| 023 | 32Z9500 | FUSE-HOLDER          | 01/03/2005- |
| 024 | 32Z9730 | SWITCH               | 01/03/2005- |
| 025 | 32Z9880 | RELAY                | 01/03/2005- |
| 026 | 32Z9890 | FUSE                 | 01/03/2005- |
| 027 | 33A0300 | BORE                 | 01/03/2005- |
| 028 | 33A0500 | THERMOST. VALVE      | 01/03/2005- |
| 029 | 33G0120 | VALVE                | 01/03/2005- |
| 030 | 33Q4390 | COUPLING TUBES       | 01/03/2005- |
| 031 | 34D8670 | EVAPORATOR           | 01/03/2005- |
| 032 | 35C5830 | GUIDE                | 01/03/2005- |
| 033 | 35C7250 | GUIDE                | 01/03/2005- |
| 034 | 35C8280 | PANEL BOARD          | 01/03/2005- |
| 035 | 35C9840 | PROBE SUPPORT        | 01/03/2005- |
| 036 | 35G3370 | COVER                | 01/03/2005- |
| 037 | 3136740 | TOP EVAP. HEAD       | 07/03/2008- |
| 038 | 35L1360 | COVER                | 01/03/2005- |
| 039 | 35L1370 | HEAD                 | 01/03/2005- |
| 040 | 3136750 | BOTTOM EVAP. HEAD    | 07/03/2008- |
| 041 | 35P9480 | RISER                | 01/03/2005- |
| 042 | 35P9610 | CONVEYOR             | 01/03/2005- |
| 043 | 35R1500 | SUPPORT              | 01/03/2005- |
| 044 | 3057470 | CONDENS. DRAIN       | 01/07/2006- |
| 045 | 35Y2000 | SUPPORT              | 01/03/2005- |
| 046 | 35Y2550 | PLATE                | 01/03/2005- |
| 047 | 35Y3790 | PROTECTION MOTOR     | 01/03/2005- |
| 048 | 35Y6910 | BOTTOM BRACKET       | 01/03/2005- |
| 049 | 35Y9490 | CONVEYOR             | 01/03/2005- |
| 050 | 36C2690 | PIN                  | 01/03/2005- |
| 051 | 36C2750 | SPACER               | 01/03/2005- |

| Pos | Code    | Description       | Info        |
|-----|---------|-------------------|-------------|
| 052 | 3129410 | RACK              | 05/10/2007- |
| 053 | 3137690 | FOOT              | 01/12/2009- |
| 054 | 36C5620 | PLUG              | 01/03/2005- |
| 055 | 3129400 | RH RACK           | 05/10/2007- |
| 056 | 36E0410 | BUSHING           | 01/03/2005- |
| 057 | 36E4510 | FRAME TRIM        | 01/03/2005- |
| 058 | 36E4520 | FRAME TRIM        | 01/03/2005- |
| 059 | 3059930 | BOTTOM BRACKET    | 23/06/2006- |
| 060 | 36G6520 | HINGE             | 01/03/2005- |
| 061 | 36G9410 | PIN               | 01/03/2005- |
| 062 | 36G9570 | PIN               | 01/03/2005- |
| 063 | 36M3200 | HANDLE            | 01/03/2005- |
| 064 | 36M7820 | PIN               | 01/03/2005- |
| 065 | 36Z2260 | CARD PROTECTION   | 01/03/2005- |
| 066 | 37N5560 | SILK-SCREEN PANEL | 01/03/2005- |
| 067 | 37Q5380 | GASKET            | 01/03/2005- |
| 068 | 3AA5440 | EVAP. GUARD       | 01/03/2005- |
| 069 | 3AA5600 | FRONT PANNEL      | 01/03/2005- |
| 070 | 3078871 | PROTECTION        | 24/10/2006- |
| 071 | 3078190 | HOLE PLUG         | 16/06/2006- |
| 072 | 3069890 | PIPE KRYSTAL      | 02/07/2006- |
| 073 | 35X1640 | DRAIN TRAP        | 01/07/2006- |