

Зип Общепит

vsezip.ru

+7(812)987-08-81

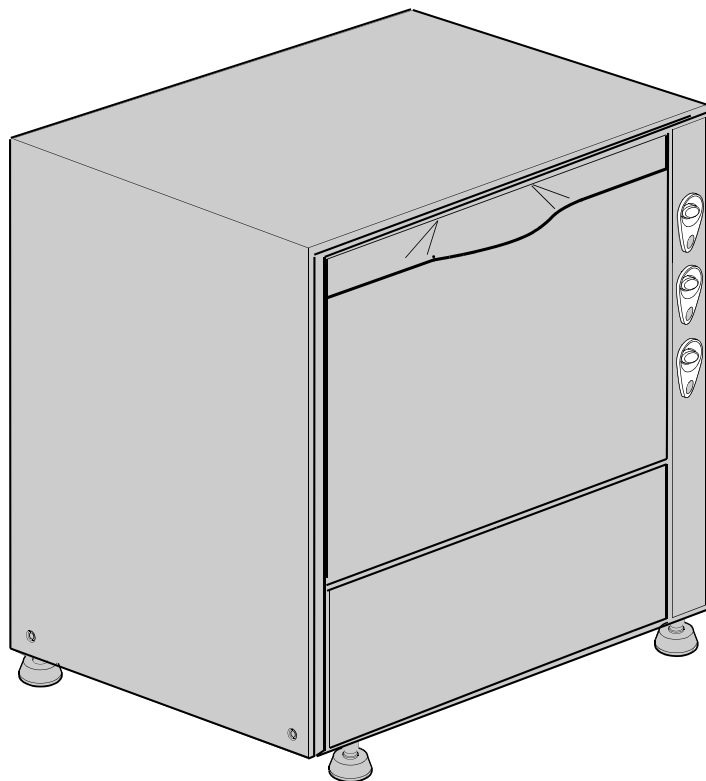
DISHWASHER

ELECTROMECHANICAL SWITCHES
LOWER WASHING

TYPE: 1U

Accessories
COLD RINSE
DETERGENT DISPENSER

Spare Parts Manual



S/N:

Valid from:01/2006

Rev.: 2.0

INFORMAZIONI GENERALI

Questo catalogo serve per richiedere con esattezza le parti di ricambio

Nelle ordinazioni indicare:

1) il numero dei codici dei particolari seguito dalla descrizione e la quantità desiderata;

2) Il codice alfa-numerico presente nella seconda colonna della tabella ;

I disegni delle parti di ricambio sono solo indicativi e non rappresentano il pezzo in oggetto.

I dati contenuti in questo catalogo sono indicativi e possono essere soggetti a modifiche senza impegno di preavviso.

ALLGEMEINE INFORMATIONEN

Dieser Ersatzteilkatalog dient zur genauen Angabe der Teile bei Ersatzteilbestellungen.

Bei Ersatzbestellung ist folgendes anzugeben:

1) Die Bestellnummer der Ersatzteile mit der entsprechenden Beschreibung genaue Menge;

2) Der alpha-numerischer Code auf der zweiten Reihe in dein Sculd;

Die Zeichnungen der Ersatzteile sind nur als Hinweise gedacht und stellen nicht das betroffene Teil dar.

Bei den im Katalog angeführten Daten handelt es sich um Anhaltsdaten, die jederzeit, ohne Vorankündigung, geändert werden können.

GENERAL INFORMATION

The present spare parts order exactly the right spare parts

When ordering specify:

1) the part's code number followed by its description and quantity needed;

2) The alpha-numeric code is in the second column in the chart;

Spare parts drawings are general and do not represent the part.

The contents of this catalogue are general and can undergo changes without prior notice.

INFORMACIONES GENERALES

El presente catálogo sirve para pedir con exactitud las partes de repuesto

En los pedidos se debe indicar:

1) el número de código de la parte y a continuación la descripción cantidad deseada;

2) El código alfanumerico presente en la segnada columna de la tabla;

Los diseños de las partes de recambio son solo indicativos y no representan la pieza en cuestión.

Los datos contenidos en el presente catálogo son indicativos y pueden modificarse sin aviso previo.

INFORMATIONS GENERALES

Ce catalogue permet de commander correctement les pièces détachées

Les commandes doivent être passées en indiquant:

1) le numero de code des pièces détachées suivi de leur description quantité désirée;

2) le code alphanumérique dans la deuxième colonne du tableau;

Les plans des pièces détachées sont fournis seulement à titre indicatif et ne représentent pas la pièce concernée.

Les données de ce catalogue sont citées seulement à titre indicatif et peuvent être l'objet de modifications sans avis préalable.

**ESEMPIO
EXAMPLE
EXEMPLE
BEISPIEL**

Rif.	Codici
MODULE:Particolari	
10505	540903
10510	540908
10515	15065/A
10520	540086
10525	540028

Note

Tutte le informazioni riportate si intendono aggiornate alla data di stampa. Il Produttore si riserva il diritto di apportare qualsiasi modifica richiesta dallo sviluppo evolutivo dei suddetti prodotti.

Per la sicurezza, la garanzia, l'affidabilità ed il valore della lavastoviglie usa solo ricambi originali. **Per alcuni codici, sono richieste quantità minime d'ordine.**

Attenzione

Questo libretto è parte integrante della lavastoviglie e, in caso di passaggio di proprietà, deve essere consegnato al nuovo acquirente.

Remarque

Toutes les informations contenues dans ce manuel s'entendent mises à jour à la date d'impression. En raison du développement constant de ses produits, usine se réserve le droit d'apporter à tout instant les modifications qu'elle jugera utiles.

Pour la sécurité, la garantie, la fiabilité et la valeur de votre lavevaisselles n'utilisez que des pièces de rechange d'origine. **Pour quelque référence on demande un minimum de pièces par commande**

Attention

Ce manuel doit être considéré comme partie intégrante de la lavevaisselles, en cas de transfert de propriété, doit toujours être remis au nouveau propriétaire.

Note

The information contained herein is valid at the time of going to print. The Company reserves the right to make any changes required by the future development of the above-mentioned products.

For your safety, as well as to preserve the warranty reliability and worth of your dishwashers, use original spare parts only. **For some codes a minimum quantity for order is required.**

Warning

This manual forms an integral part of the dishwashers and - if a transfer of title occurs - must always be handed over to the new owner.

Hinweis

Die Der Hersteller behält sich das Recht vor, jegliche, durch eine Weiterentwicklung der genannten Produkte bedingte Änderungen vornehmen zu können.

Verwenden Sie für Ihre Sicherheit, die Garantie, die Zuverlässigkeit und den Wert Ihrer machine originale Ersatzteile. **Für bestimmte Code nummer werden mindesten bestellungen verlangt.**

Achtung

Diese Betriebsanleitung ist Bestandteile des machine und muss bei seinem Weiterverkauf dem neuen Besitzer ausgehändigt werden.

vsezip.ru
+7(812)987-08-81

Code 999XXYYYY **CL/Part**

Model DESCRIPTION

S/N 04012345 **Type**

400VAC3N 50HZ 8A
3500W 500W

16A

200-500

Pressione Dinamica alimentazione idrica
Pression dynamique arrivée d'eau
Dynamic pressure water supply
Dynamischer Druck assereinlauf

Pressione dinamica vapore saturo
Pression dynamique vapeur saturée
Dymanischer Druck gesattigter Dampf
Pression Dinamica Vapor Saturado

TECHICAL SPECIFICATION

MADE IN ITALY

Temperatura massima acqua in ingresso **60°C**
Temperature max eau a l'entre
Maximale Temperatur Wasseranschluß
Maximum Water temperature in-feeding

Model

S/N

CODE 999 XX YYYY

FAMIGLIA PRODOTTO
FAMILY PRODUCT
FAMILLE DU PRODUIT
FAMILIA PRODUCTO
FAMILIE DES PRODUKTES

CODICE MODELLO
CODE MODEL
CODE ARTICLE
CODIGO MODELO
KODE VON MODELL

S/N 04 012345

ANNO
YEAR
ANNÉE
AN"O
JAHR

NUMERO DI SERIE
SERIAL NUMBER
NUMÉRO DI SÉRIE
NUMERO DI SERIE
SERIENNUMMER

Spare parts

Зип Общепит

vsezip.ru

+7(812)987-08-81

1. Spare parts

General body parts.....	5
Lockup system	7
Control panel and switches.....	9
Electric control components.....	11
Solenoid valve group	13
Solenoid valve group	15
Rinse aid dispenser group.....	17
3 ways connection	19
3 ways connection	21
Wash pump	23
Dosing detergent group.....	25
Pressure switch group with air trap ...	27
Turret group with rotating arms	29

vsezip.ru

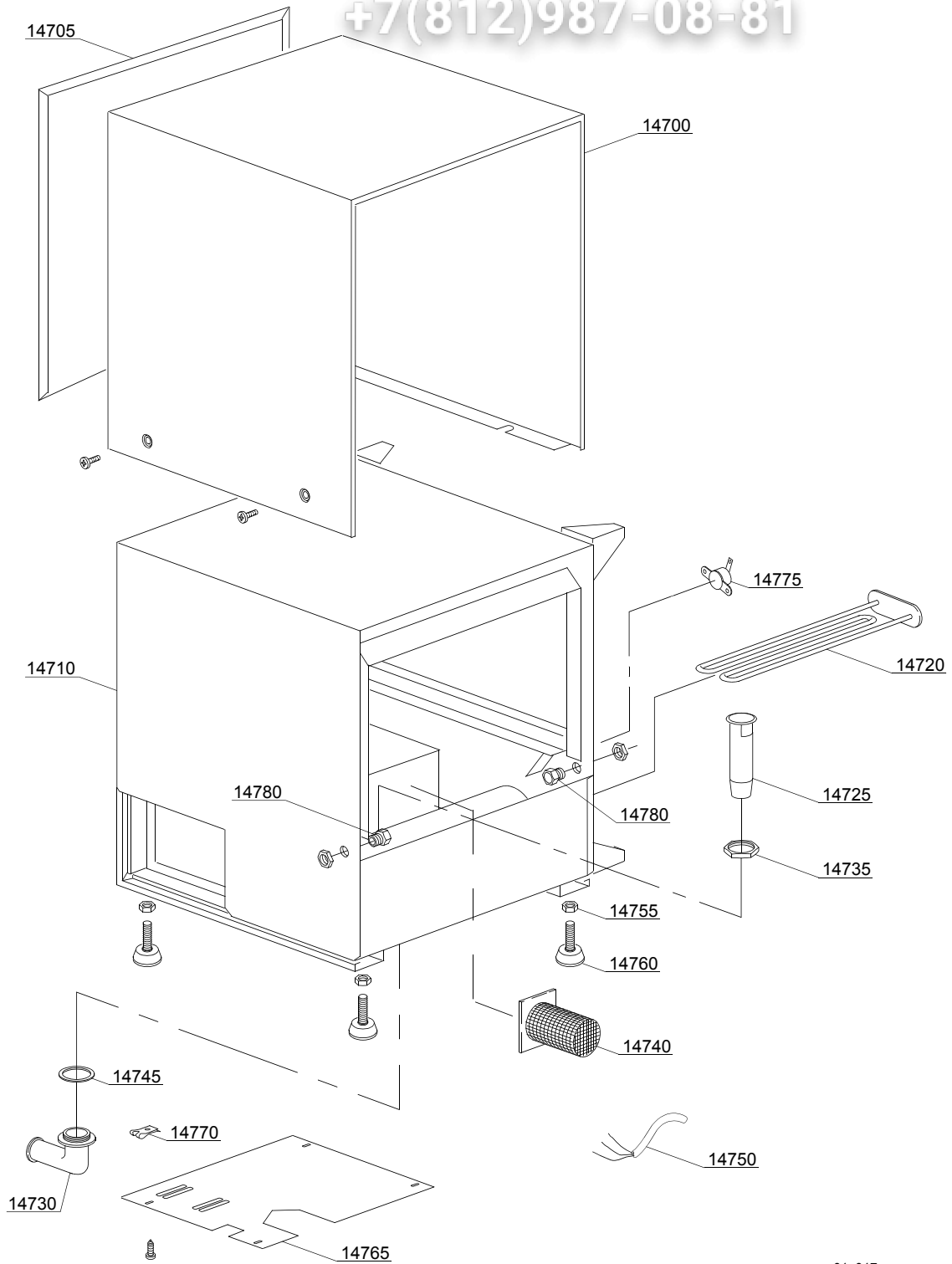
+7(812)987-08-81

1.1 Voltage codes

Volt	Voltage code
A	3/N/PE~380-400V 50-60Hz
D	3/PE~200-210V 50-60Hz
F	2/PE~220-240V 50-60Hz
G	3/N/PE~415V 50-60Hz
H	3/PE~220-230V 50-60Hz
K	3/PE~380-400V 50-60Hz
L	3/PE~415V 50-60Hz
M	3/PE~440V 60Hz
P	1/N/PE~220-230V 50-60Hz
R	2/PE~220-240V 50-60Hz
U	1/N/PE~240V 50-60Hz
V	3/PE~240V 50-60Hz
W	1/N/PE~100-110V 50-60Hz

1.2 Product codes

Product code	Full name
Model codes	
em	ELECTROMECHANICAL SWITCHES
lw	LOWER WASHING
Type codes	
1U	1U
Accessory codes	
cr	COLD RINSE
dd	DETERGENT DISPENSER



01_017_e

ID	P-code	SN from	SN to	Mod.	Acces	Volt	Description
Module:General body parts							
14700	10101		-				Cover
14705	10102		-				Back panel
14710	10906		-				Body
14720	10714		-				2/2,18KW 230/240V heating element
14720	10714/C		-				2KW heating element - 110Vac
14725	10725		-				Overflow pipe
14730	10701		-				Drain elbow
14735	11701/A		-				Stainless steel nut
14740	10914		-				Rectangular steel filter
14745	13305		-				44x32x3 O-ring (minimum 5 pieces)
14750	10713		-				3x2,5x2500 cable
14755	11711		-				M10 zinc plated nut (minimum 20 pieces)
14760	10786		-				M10x25 Ø40 black foot (minimum 4 pieces)
14765	10130		-				End piece protection
14770	11003		-				Plate for self-tapping screw
14775	15550		-				Safety thermostat
14780	11835		-				Brass bush with nut

em=ELECTROMECHANICAL SWITCHES, lw=LOWER WASHING

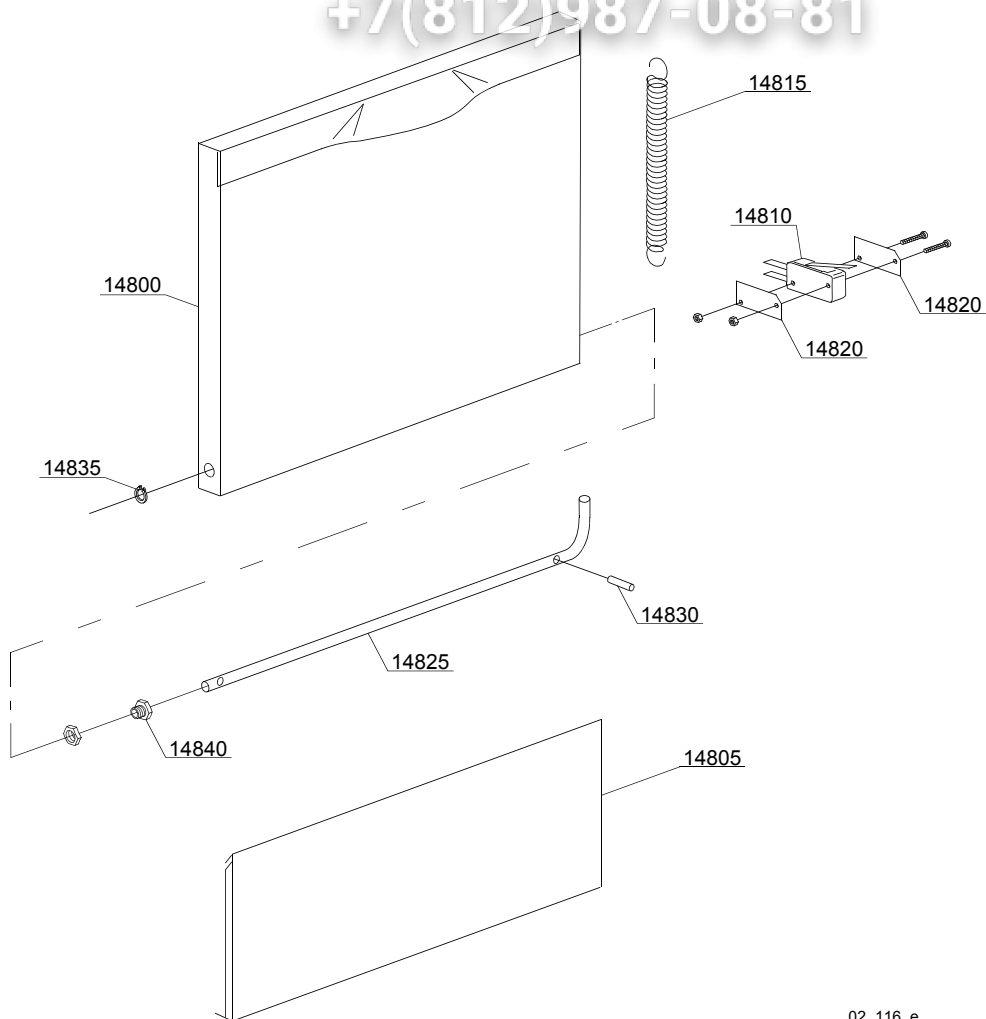
1U=1U

cr=COLD RINSE, dd=DETERGENT DISPENSER

A=3/N/PE~380-400V 50-60Hz, D=3/PE~200-210V 50-60Hz, F=2/PE~220-240V 50-60Hz, G=3/N/PE~415V 50-60Hz, H=3/PE~220-230V 50-60Hz, K=3/PE~380-400V 50-60Hz, L=3/PE~415V 50-60Hz, M=3/PE~440V 60Hz, P=1/N/PE~220-230V 50-60Hz, R=2/PE~220-240V 50-60Hz, U=1/N/PE~240V 50-60Hz, V=3/PE~240V 50-60Hz, W=1/N/PE~100-110V 50-60Hz

vsezip.ru

+7(812)987-08-81



02_116_e

vsezip.ru

ID	P-code	SN from	SN to	Mod	Acces.	Volt	Description
Module: Lockup system							
14800	10920		-				Door with stainless steel handle
14805	10103		-				Lower door
14810	10704		-				Door microswitch
14815	10700		-				Spring
14820	10770		-				Insulation for door microswitch (minimum 3 pieces)
14825	10126		-				Rod door
14830	11170		-				M5x25 grub-screw (minimum 2 pieces)
14835	11815		-				Ø8 stainless steel snap ring (minimum 5 pieces)
14840	11835		-				Brass bush with nut

em=ELECTROMECHANICAL SWITCHES, lw=LOWER WASHING

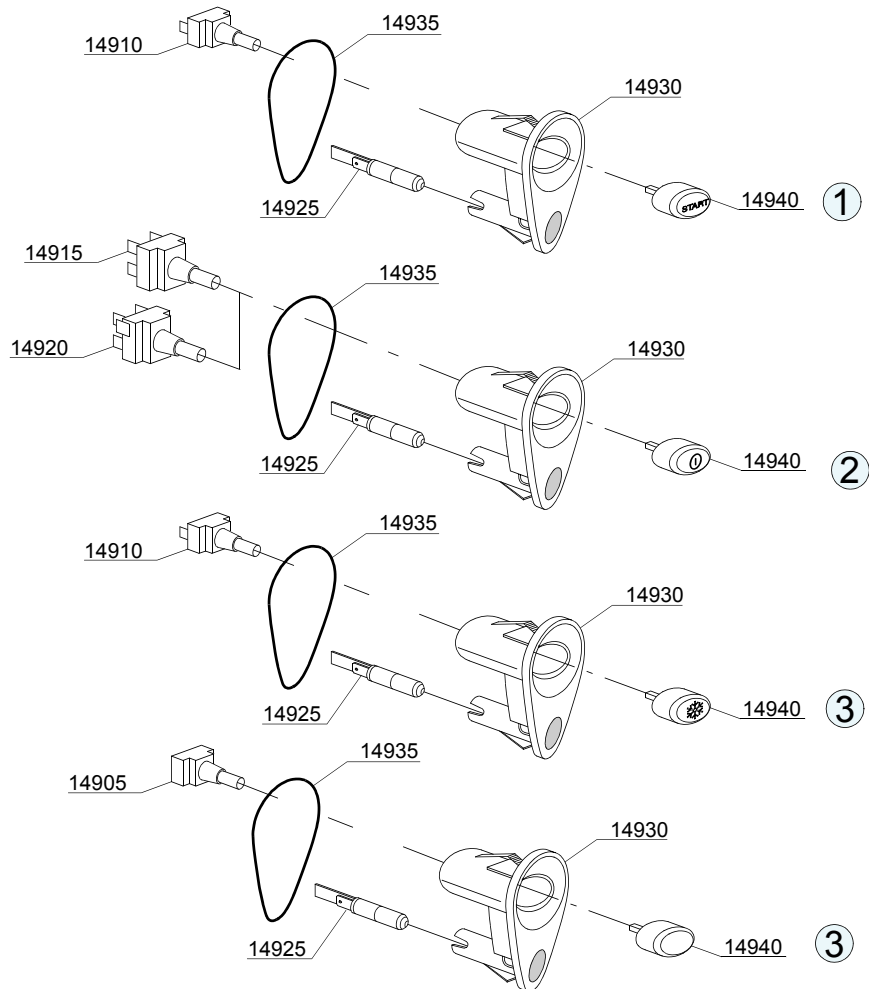
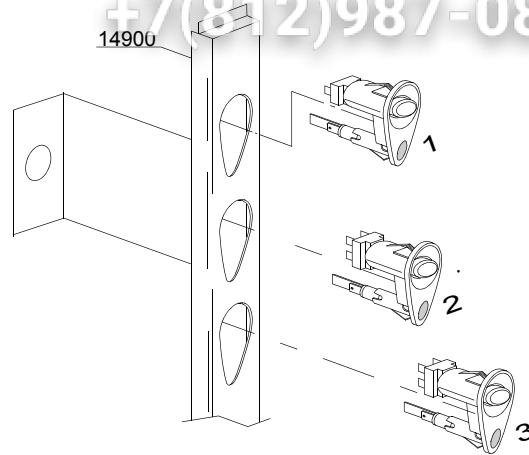
1U=1U

cr=COLD RINSE, dd=DETERGENT DISPENSER

A=3/N/PE~380-400V 50-60Hz, D=3/PE~200-210V 50-60Hz, F=2/PE~220-240V 50-60Hz, G=3/N/PE~415V 50-60Hz, H=3/PE~220-230V 50-60Hz, K=3/PE~380-400V 50-60Hz, L=3/PE~415V 50-60Hz, M=3/PE~440V 60Hz, P=1/N/PE~220-230V 50-60Hz, R=2/PE~220-240V 50-60Hz, U=1/N/PE~240V 50-60Hz, V=3/PE~240V 50-60Hz, W=1/N/PE~100-110V 50-60Hz

vsezip.ru

+7(812)987-08-81



03_019_e

vsezip.ru

ID	P-code	SN from	SN to	Mod.	Acces	Volt	Description
Module:Control panel and switches							
14900	10926		-	em			Control panel
14905	15844		-	em			Push button support
14910	15813		-	em			16A unipolar switch
14915	15812		-	em			16A switch
14925	15826		-	em			Pilot light 220V
14930	89300		-	em			Push button support
14935	89332		-	em			OR O-ring (minimum 10 pieces)
14940	89344		-	em	cr		Hot/cold push button
14940	89341		-	em			Start push button
14940	89348		-	em			Blind push button
14940	89340		-	em			ON-OFF push button

em=ELECTROMECHANICAL SWITCHES, lw=LOWER WASHING

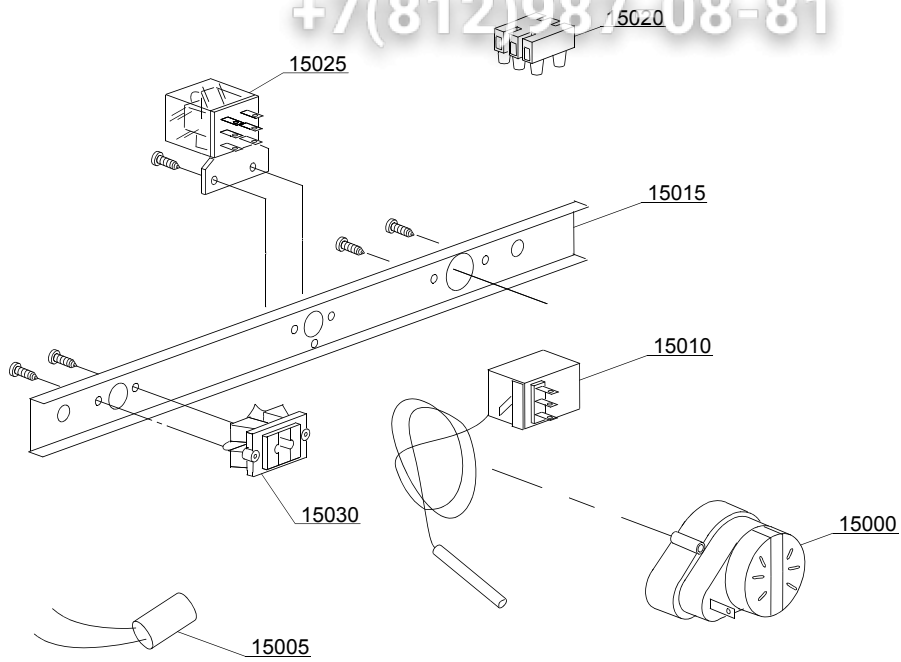
1U=1U

cr=COLD RINSE, dd=DETERGENT DISPENSER

A=3/N/PE~380-400V 50-60Hz, D=3/PE~200-210V 50-60Hz, F=2/PE~220-240V 50-60Hz, G=3/N/PE~415V 50-60Hz, H=3/PE~220-230V 50-60Hz, K=3/PE~380-400V 50-60Hz, L=3/PE~415V 50-60Hz, M=3/PE~440V 60Hz, P=1/N/PE~220-230V 50-60Hz, R=2/PE~220-240V 50-60Hz, U=1/N/PE~240V 50-60Hz, V=3/PE~240V 50-60Hz, W=1/N/PE~100-110V 50-60Hz

vsezip.ru

+7(812)987-08-81



04_015_e

ID	P-code	SN from	SN to	Mod.	Acces.	Volt	Description
Module: Electric control components							
15000	10708/L		-				120" timer - 230Vac 50Hz
15000	10708/E		-				90" timer with thermostop - 110Vac 60Hz
15000	10708/B		-				120" timer - 220Vac 60Hz
15005	15146		-				Low noise filter
15010	10707/1		-				0-90°C thermostat
15015	10948		-				Electric components panel
15020	15065		-				Terminal board
15025	15620/A		-				110Vac bipolar relay
15030	15065/A		-				Cable-fastener with screw

em=ELECTROMECHANICAL SWITCHES, lw=LOWER WASHING

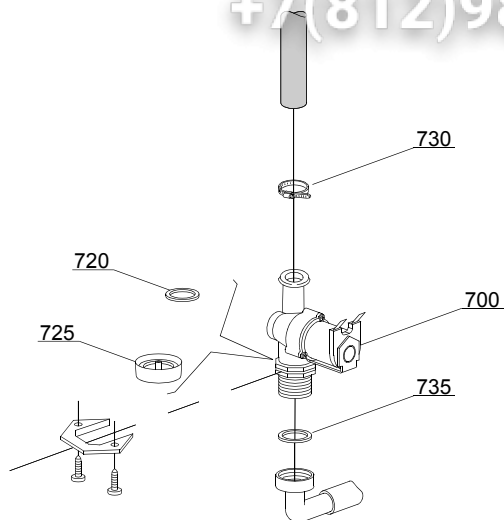
1U=1U

cr=COLD RINSE, dd=DETERGENT DISPENSER

A=3/N/PE~380-400V 50-60Hz, D=3/PE~200-210V 50-60Hz, F=2/PE~220-240V 50-60Hz, G=3/N/PE~415V 50-60Hz, H=3/PE~220-230V 50-60Hz, K=3/PE~380-400V 50-60Hz, L=3/PE~415V 50-60Hz, M=3/PE~440V 60Hz, P=1/N/PE~220-230V 50-60Hz, R=2/PE~220-240V 50-60Hz, U=1/N/PE~240V 50-60Hz, V=3/PE~240V 50-60Hz, W=1/N/PE~100-110V 50-60Hz

vsezip.ru

+7(812)987-08-81



05_002_e

vsezip.ru

ID	P-code	SN from	SN to	Mod.	Acces.	Volt	Description
Module:Solenoid valve group							
700	10703		-	em			Single solenoid valve - 230Vac
720	N.C.		-	em			Pression reducing valve
730	11807		-	em			12/22 clamp (minimum 3 pieces)
735	13307		-	em			3/4 gasket

em=ELECTROMECHANICAL SWITCHES, lw=LOWER WASHING

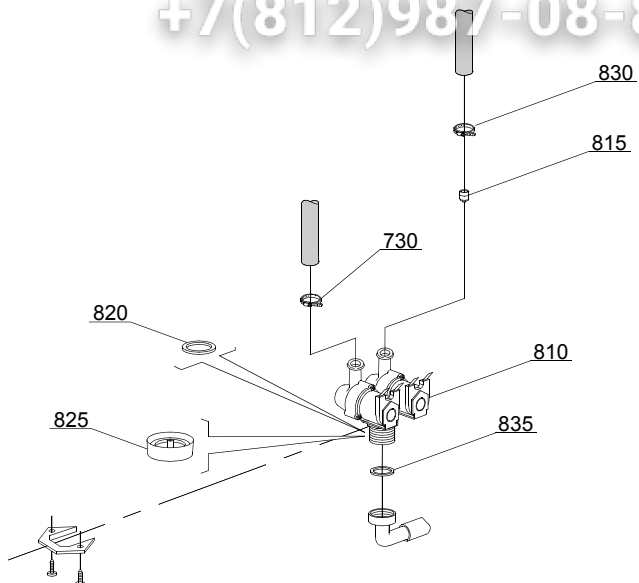
1U=1U

cr=COLD RINSE, dd=DETERGENT DISPENSER

A=3/N/PE~380-400V 50-60Hz, D=3/PE~200-210V 50-60Hz, F=2/PE~220-240V 50-60Hz, G=3/N/PE~415V 50-60Hz, H=3/PE~220-230V 50-60Hz, K=3/PE~380-400V 50-60Hz, L=3/PE~415V 50-60Hz, M=3/PE~440V 60Hz, P=1/N/PE~220-230V 50-60Hz, R=2/PE~220-240V 50-60Hz, U=1/N/PE~240V 50-60Hz, V=3/PE~240V 50-60Hz, W=1/N/PE~100-110V 50-60Hz

vsezip.ru

+7(812)987-08-81



05_003_€

vsezip.ru

ID	P-code	SN from	SN to	Mod.	Acces.	Volt	Description
Module:Solenoid valve group							
810	15098		-	em	cr		Double solenoid valve - Ø10 - 230Vac
810	15098/A		-	em	cr		Double solenoid valve - 110Vac

em=ELECTROMECHANICAL SWITCHES, lw=LOWER WASHING

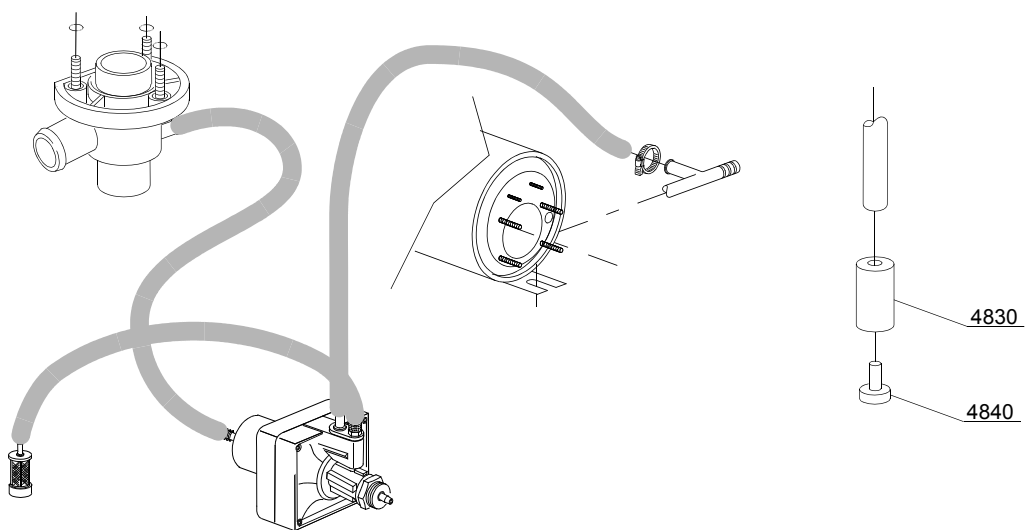
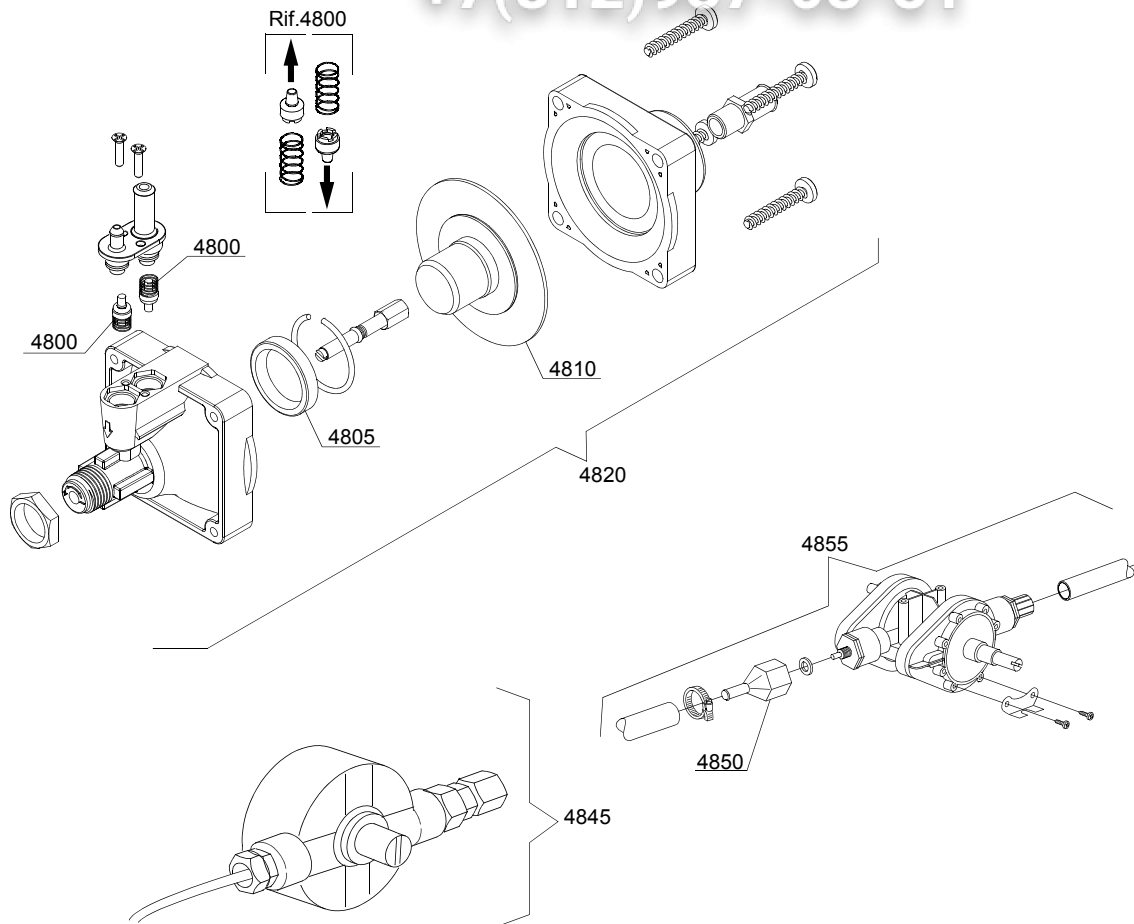
1U=1U

cr=COLD RINSE, dd=DETERGENT DISPENSER

A=3/N/PE~380-400V 50-60Hz, D=3/PE~200-210V 50-60Hz, F=2/PE~220-240V 50-60Hz, G=3/N/PE~415V 50-60Hz, H=3/PE~220-230V 50-60Hz, K=3/PE~380-400V 50-60Hz, L=3/PE~415V 50-60Hz, M=3/PE~440V 60Hz, P=1/N/PE~220-230V 50-60Hz, R=2/PE~220-240V 50-60Hz, U=1/N/PE~240V 50-60Hz, V=3/PE~240V 50-60Hz, W=1/N/PE~100-110V 50-60Hz

vsezip.ru

+7(812)987-08-81



10_004_e

vsezip.ru

ID	P-code	SN from	SN to	Mod.	Acces.	Volt	Description
Module: Rinse aid dispenser group							
4800	10805		-				Tecnopro non return valve
4805	10806		-				Ø22 O-ring
4810	10807		-				Membrane
4820	10705		-				TECNO PRO rinse aid dispenser
4830	12525		-				Ballast
4840	15058		-				Small filter (minimum 3 pieces)
4845	10799/G		-				GERMAC rinse aid dispenser
4850	10798/B		-				Brass pipe fitting
4855	10798		-				LANG Rinse aid dispenser

em=ELECTROMECHANICAL SWITCHES, lw=LOWER WASHING

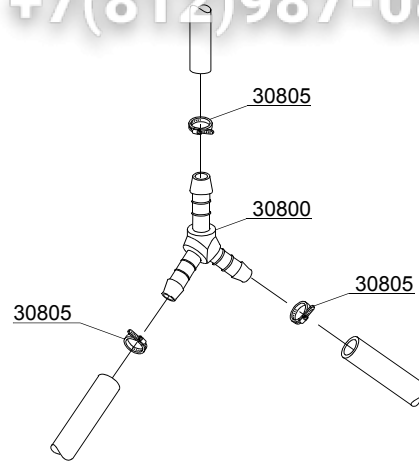
1U=1U

cr=COLD RINSE, dd=DETERGENT DISPENSER

A=3/N/PE~380-400V 50-60Hz, D=3/PE~200-210V 50-60Hz, F=2/PE~220-240V 50-60Hz, G=3/N/PE~415V 50-60Hz, H=3/PE~220-230V 50-60Hz, K=3/PE~380-400V 50-60Hz, L=3/PE~415V 50-60Hz, M=3/PE~440V 60Hz, P=1/N/PE~220-230V 50-60Hz, R=2/PE~220-240V 50-60Hz, U=1/N/PE~240V 50-60Hz, V=3/PE~240V 50-60Hz, W=1/N/PE~100-110V 50-60Hz

vsezip.ru

+7(812)987-08-81



12_003ae

vsezip.ru

ID	P-code	SN from	SN to	Mod.	Acces.	Volt	Description
Module:3 ways connection							
30800	540090		-	em			Ø10 mm plastic 3 ways connection
30805	11807		-	em			12/22 clamp (minimum 3 pieces)

em=ELECTROMECHANICAL SWITCHES, lw=LOWER WASHING

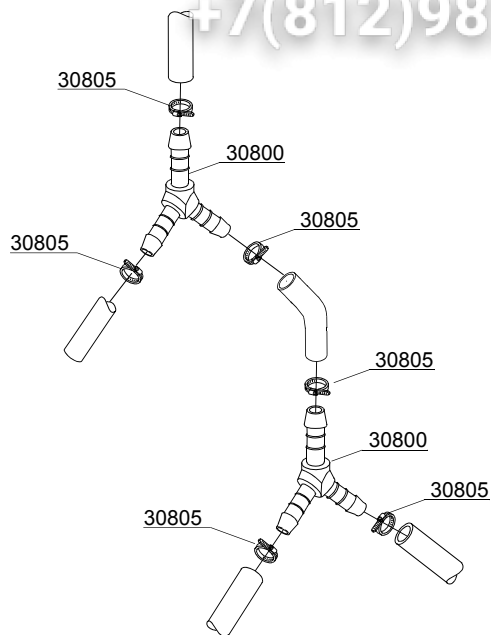
1U=1U

cr=COLD RINSE, dd=DETERGENT DISPENSER

A=3/N/PE~380-400V 50-60Hz, D=3/PE~200-210V 50-60Hz, F=2/PE~220-240V 50-60Hz, G=3/N/PE~415V 50-60Hz, H=3/PE~220-230V 50-60Hz, K=3/PE~380-400V 50-60Hz, L=3/PE~415V 50-60Hz, M=3/PE~440V 60Hz, P=1/N/PE~220-230V 50-60Hz, R=2/PE~220-240V 50-60Hz, U=1/N/PE~240V 50-60Hz, V=3/PE~240V 50-60Hz, W=1/N/PE~100-110V 50-60Hz

vsezip.ru

+7(812)987-08-81



12_010_e

vsezip.ru

ID	P-code	SN from	SN to	Mod.	Acces.	Volt	Description
Module:3 ways connection							
30800	540090		-	em	cr		Ø10 mm plastic 3 ways connection
30805	11807		-	em	cr		12/22 clamp (minimum 3 pieces)

em=ELECTROMECHANICAL SWITCHES, lw=LOWER WASHING

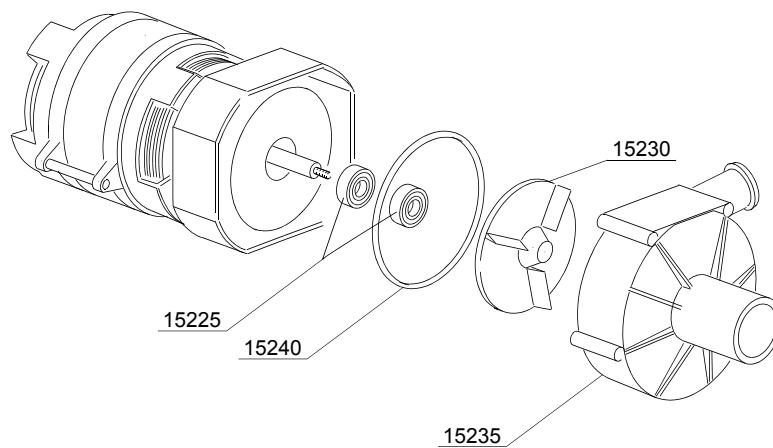
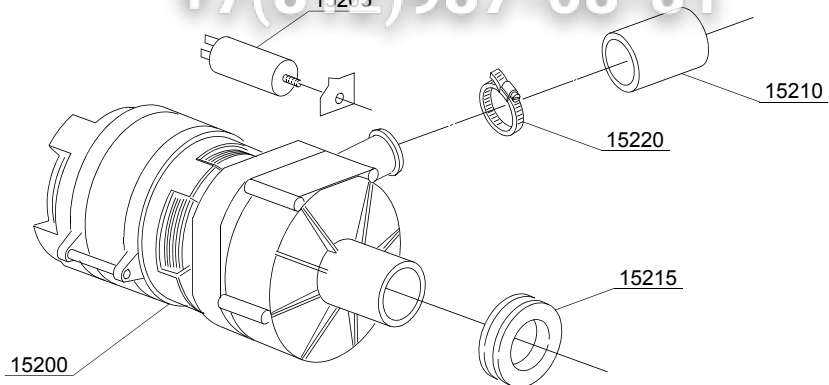
1U=1U

cr=COLD RINSE, dd=DETERGENT DISPENSER

A=3/N/PE~380-400V 50-60Hz, D=3/PE~200-210V 50-60Hz, F=2/PE~220-240V 50-60Hz, G=3/N/PE~415V 50-60Hz, H=3/PE~220-230V 50-60Hz, K=3/PE~380-400V 50-60Hz, L=3/PE~415V 50-60Hz, M=3/PE~440V 60Hz, P=1/N/PE~220-230V 50-60Hz, R=2/PE~220-240V 50-60Hz, U=1/N/PE~240V 50-60Hz, V=3/PE~240V 50-60Hz, W=1/N/PE~100-110V 50-60Hz

vsezip.ru

+7(812)987-08-81



13_005_e

ID	P-code	SN from	SN to	Mod.	Acces.	Volt	Description
Module: Wash pump							
15200	10501/A		-	lw		A	0,10 Hp wash pump - 230V 50Hz
15200	10501/D		-	lw		H	0,10 Hp wash pump - 220VAc 60Hz
15200	10501/E		-	lw			0,10Hp wash pump - 110Vac 60Hz
15205	10702		-	lw			5 uF condenser - 450V
15210	10718		-	lw			Pump pipe coupling
15215	13306		-	lw			43x27x10 pump O-ring
15220	11806		-	lw			25/40 clamp (minimum 2 pieces)
15225	10505		-	lw			Rotating seals
15230	10504		-	lw			Pump rotor - d.63
15235	10502		-	lw			Pump scroll
15240	10506		-	lw			OR O-ring

em=ELECTROMECHANICAL SWITCHES, lw=LOWER WASHING

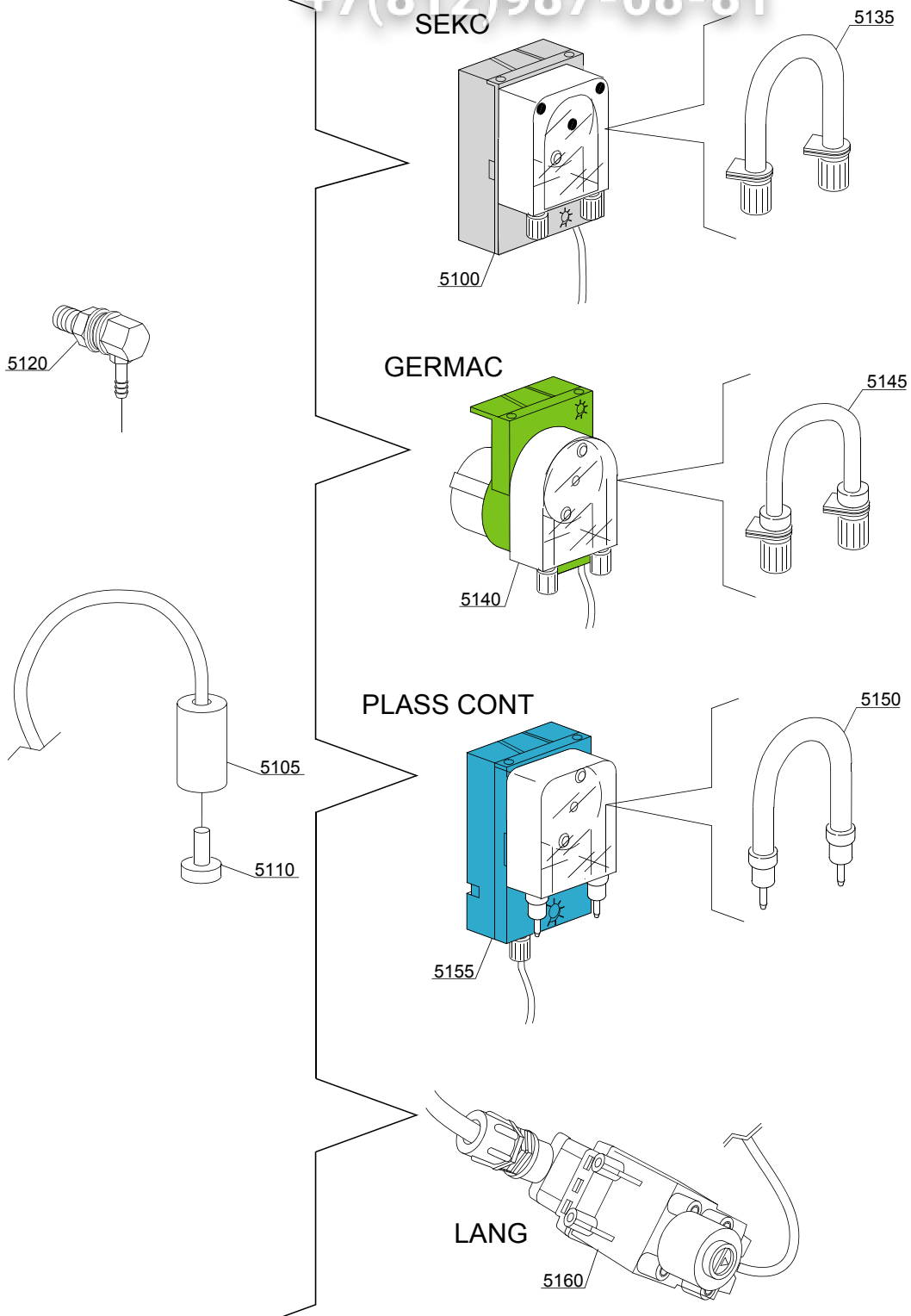
1U=1U

cr=COLD RINSE, dd=DETERGENT DISPENSER

A=3/N/PE~380-400V 50-60Hz, D=3/PE~200-210V 50-60Hz, F=2/PE~220-240V 50-60Hz, G=3/N/PE~415V 50-60Hz, H=3/PE~220-230V 50-60Hz, K=3/PE~380-400V 50-60Hz, L=3/PE~415V 50-60Hz, M=3/PE~440V 60Hz, P=1/N/PE~220-230V 50-60Hz, R=2/PE~220-240V 50-60Hz, U=1/N/PE~240V 50-60Hz, V=3/PE~240V 50-60Hz, W=1/N/PE~100-110V 50-60Hz

vsezip.ru

+7(812)987-08-81



14_004_e

vsezip.ru

ID	P-code	SN from	SN to	Mod.	Acces.	Volt	Description
Module:Dosing detergent group							
5100	15985		-	em	dd		Seko detergent pump
5105	12525		-	em	dd		Ballast
5110	15058		-	em	dd		Small filter (minimum 3 pieces)
5120	15123		-	em	dd		Steel injector
5125	15159		-	em	dd		OR O-ring (minimum 2 pieces)
5130	10200205		-	em	dd		M12x1 stainless steel nut (minimum 2 pieces)
5135	15185		-	em	dd		Seko thermoplastic pipe
5140	15985		-	em	dd		Germac detergent pump
5145	15108/E		-	em	dd		Germac thermoplastic pipe
5150	15985/A			em	dd		Plas Cont thermoplastic pipe
5155	15985			em	dd		Plas Cont detergent pump
5160	15108/L			em	dd		Lang detergent pump

em=ELECTROMECHANICAL SWITCHES, lw=LOWER WASHING

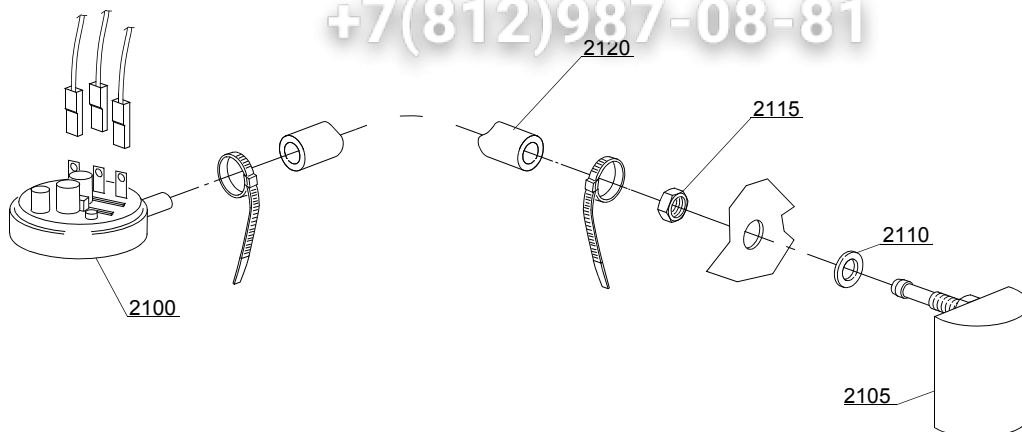
IU=IU

cr=COLD RINSE, dd=DETERGENT DISPENSER

A=3/N/PE~380-400V 50-60Hz, D=3/PE~200-210V 50-60Hz, F=2/PE~220-240V 50-60Hz, G=3/N/PE~415V 50-60Hz, H=3/PE~220-230V 50-60Hz, K=3/PE~380-400V 50-60Hz, L=3/PE~415V 50-60Hz, M=3/PE~440V 60Hz, P=1/N/PE~220-230V 50-60Hz, R=2/PE~220-240V 50-60Hz, U=1/N/PE~240V 50-60Hz, V=3/PE~240V 50-60Hz, W=1/N/PE~100-110V 50-60Hz

vsezip.ru

+7(812)987-08-81



16_001_e

ID	P-code	SN from	SN to	Mod.	Acces.	Volt	Description
Module: Pressure switch group with air trap							
2100	10706/A		-	em			47-27 pressure switch
2105	135911		4020617	em			Air trap assembly
2110	13301		-	em			O-ring (minimum 10 pieces) - D14x8x1,5
2115	11702		-	em			M8 stainless steel nut (minimum 10 pieces)
2120	14508		-	em			4,5X9 EPDM rubber hose (minimum 2mt)

em=ELECTROMECHANICAL SWITCHES, lw=LOWER WASHING

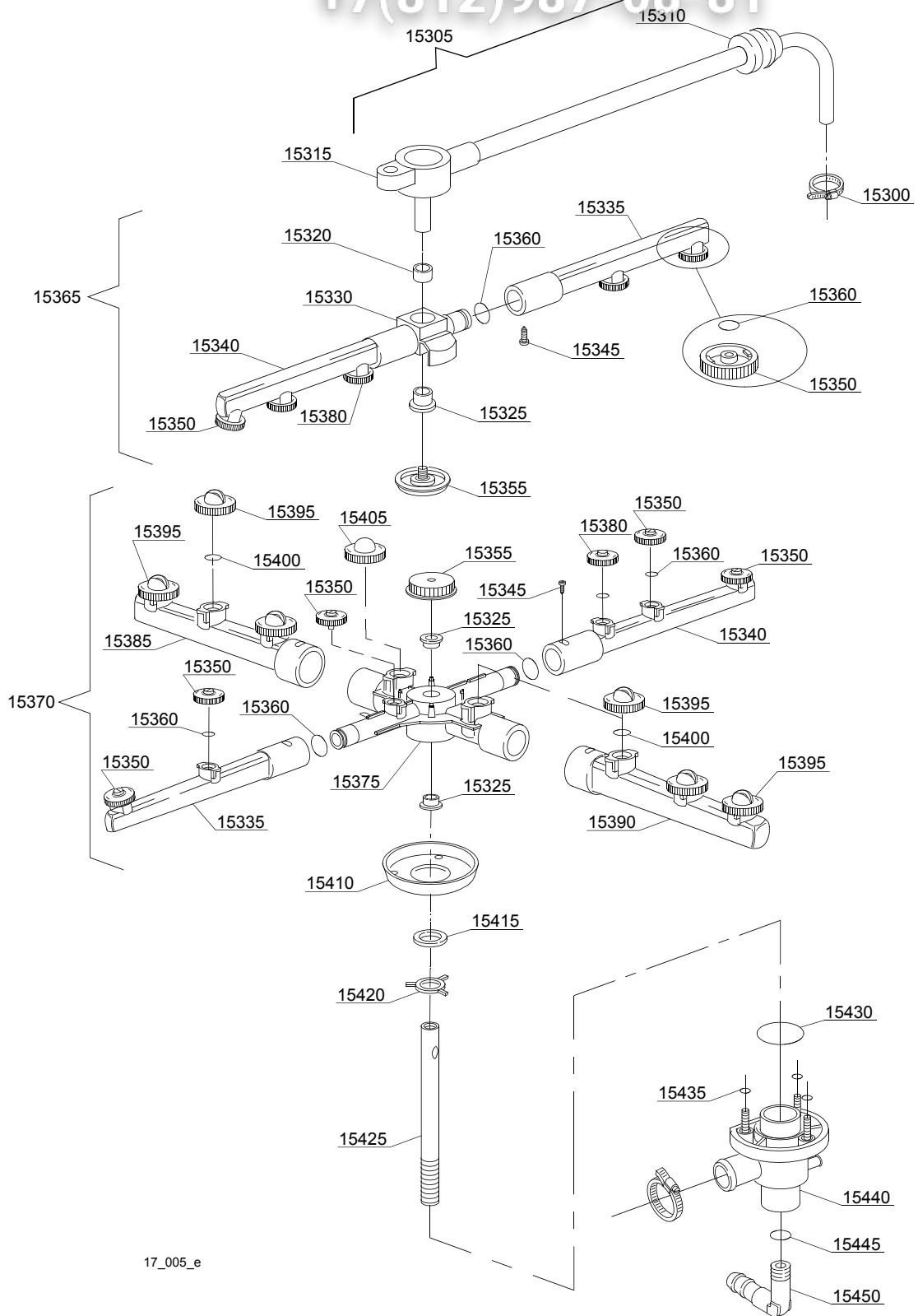
1U=1U

cr=COLD RINSE, dd=DETERGENT DISPENSER

A=3/N/PE~380-400V 50-60Hz, D=3/PE~200-210V 50-60Hz, F=2/PE~220-240V 50-60Hz, G=3/N/PE~415V 50-60Hz, H=3/PE~220-230V 50-60Hz, K=3/PE~380-400V 50-60Hz, L=3/PE~415V 50-60Hz, M=3/PE~440V 60Hz, P=1/N/PE~220-230V 50-60Hz, R=2/PE~220-240V 50-60Hz, U=1/N/PE~240V 50-60Hz, V=3/PE~240V 50-60Hz, W=1/N/PE~100-110V 50-60Hz

vsezip.ru

+7(812)987-08-81



17_005_e

ID	P-code	SN from	SN to	Mod.	Acces	Volt	Description
Module:Turret group with rotating arms							
15300	11807		-	lw			12/22 clamp (minimum 3 pieces)
15305	10993		-	lw			Top rinse turret group
15310	13304		-	lw			Pipe-pass O-ring
15320	13320		-	lw			Sliding washer (minimum 3 pieces)
15325	13319		-	lw			Sliding washer (minimum 2 pieces)
15330	10359		-	lw			Rinse rotor
15335	10374		-	lw			Right rinse pipe
15340	10375		-	lw			Left rinse pipe
15345	11004		-	lw			4x10 TCB Ø8 spax toothed screw
15350	10371		-	lw			Opened head rinse nozzle (minimum 5 pieces)
15355	10377		-	lw			Handle with insert
15360	13002		-	lw			OR R6 NBR O-ring (minimum 10 pieces)
15365	10997		-	lw			Top rinse group
15370	10999		-	lw			Lower wash/rinse group
15375	10364		-	lw			Wash rotor
15380	12538		-	lw			Closed head rinse nozzle (minimum 3 pieces)
15385	10367		-	lw			Right wash pipe
15390	10368		-	lw			Left wash pipe
15395	10369		-	lw			Opened head wash nozzle (minimum 2 pieces)
15400	13009		-	lw			OR 2050 NBR O-ring (minimum 40 pieces)
15405	10370		-	lw			Closed head wash nozzle (minimum 3 pieces)
15410	10204		-	lw			Splash guard (minimum 2 pieces)
15415	13302		-	lw			Ø16,5x10x2,5 teflon washer (minimum 2 pieces)
15420	10203		-	lw			Guide pipe
15425	12501		-	lw			Ø10x1,5x100 rotor axle
15430	13000		-	lw			OR 3125 NBR O-ring (minimum 5 pieces)
15435	13001		-	lw			OR 104 NBR O-ring (minimum 10 pieces)
15440	10205/A		-	lw			Lower wash turret with hole

em=ELECTROMECHANICAL SWITCHES, lw=LOWER WASHING

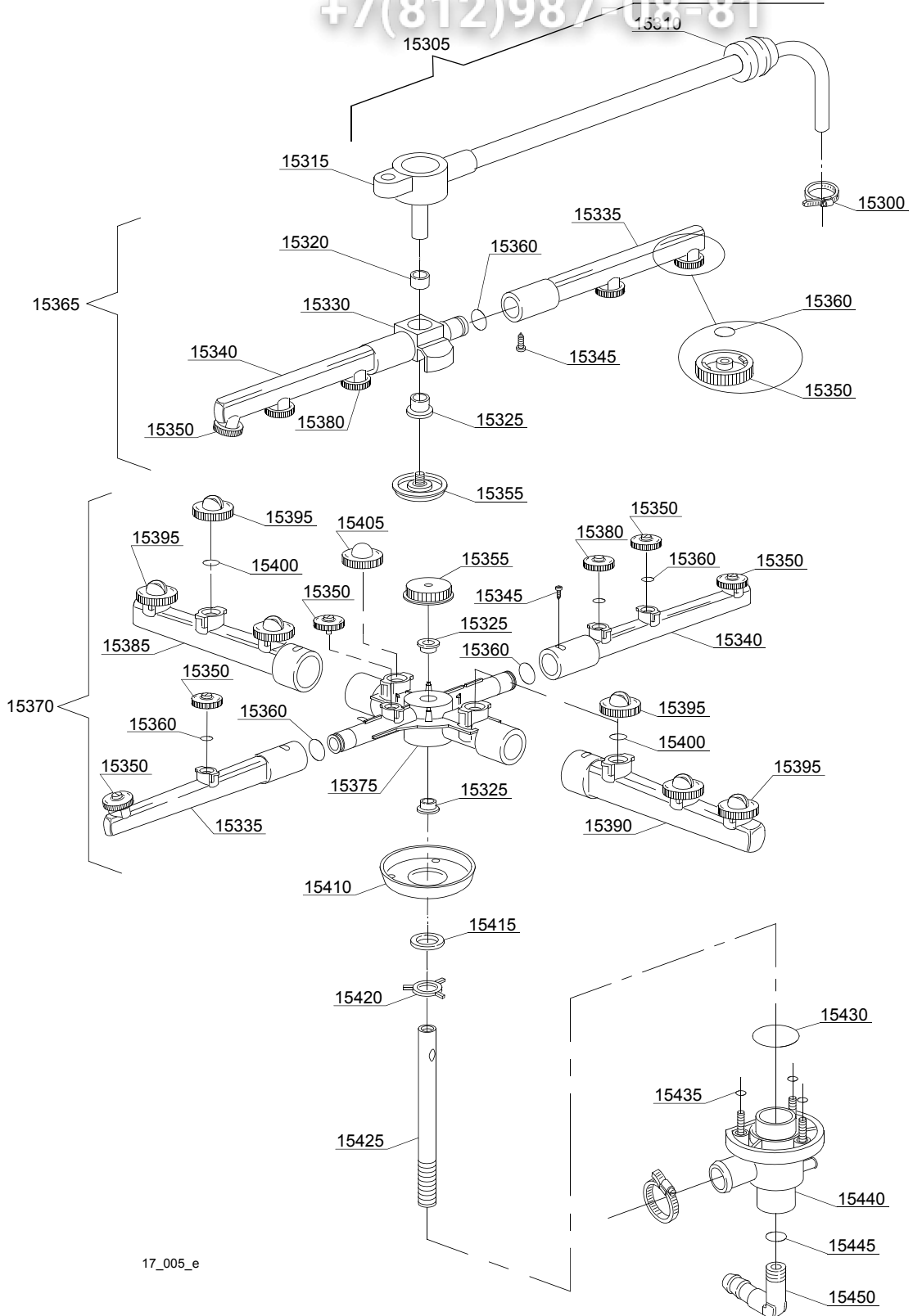
1U=1U

cr=COLD RINSE, dd=DETERGENT DISPENSER

A=3/N/PE~380-400V 50-60Hz, D=3/PE~200-210V 50-60Hz, F=2/PE~220-240V 50-60Hz, G=3/N/PE~415V 50-60Hz, H=3/PE~220-230V 50-60Hz, K=3/PE~380-400V 50-60Hz, L=3/PE~415V 50-60Hz, M=3/PE~440V 60Hz, P=1/N/PE~220-230V 50-60Hz, R=2/PE~220-240V 50-60Hz, U=1/N/PE~240V 50-60Hz, V=3/PE~240V 50-60Hz, W=1/N/PE~100-110V 50-60Hz

vsezip.ru

+7(812)987-08-81



17_005_e

vsezip.ru

ID	P-code	SN from	SN to	Mod	Acces	Volt	Description
Module:Turret group with rotating arms							
15445	13003		-	lw			OR 112 NBR O-ring (minimum 10 pieces)
15450	12030		-	lw			3/8M Ø12 elbow pipe fitting

em=ELECTROMECHANICAL SWITCHES, lw=LOWER WASHING

1U=1U

cr=COLD RINSE, dd=DETERGENT DISPENSER

A=3/N/PE~380-400V 50-60Hz, D=3/PE~200-210V 50-60Hz, F=2/PE~220-240V 50-60Hz, G=3/N/PE~415V 50-60Hz, H=3/PE~220-230V 50-60Hz, K=3/PE~380-400V 50-60Hz, L=3/PE~415V 50-60Hz, M=3/PE~440V 60Hz, P=1/N/PE~220-230V 50-60Hz, R=2/PE~220-240V 50-60Hz, U=1/N/PE~240V 50-60Hz, V=3/PE~240V 50-60Hz, W=1/N/PE~100-110V 50-60Hz