

Зип Общепит

vsezip.ru

+7(812)987-08-81

# DISHWASHER

ELECTROMECHANICAL SWITCHES  
LOWER AND UPPER WASHING

TYPE: 38U

Accessories

BOOSTER PUMP

DVGW

WATER SOFTNER

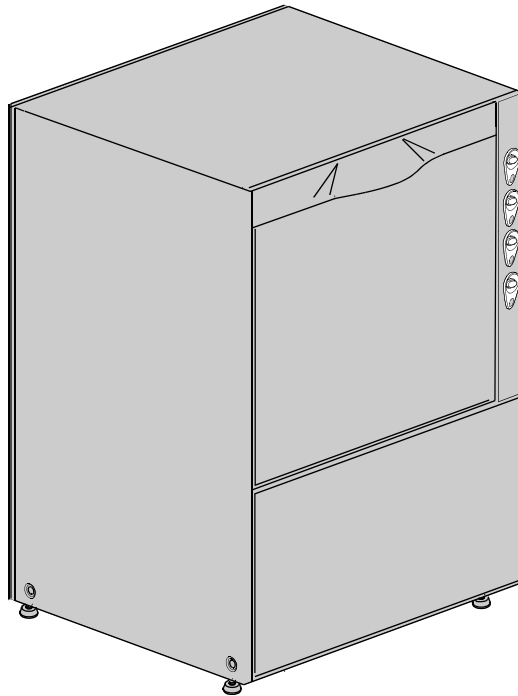
DETERGENT DISPENSER

DRAIN PUMP

---

## Spare Parts Manual

---



**INFORMAZIONI GENERALI**

Questo catalogo serve per richiedere con esattezza le parti di ricambio

Nelle ordinazioni indicare:

1) il numero dei codici dei particolari seguito dalla descrizione e la quantità desiderata;

2) Il codice alfa-numerico presente nella seconda colonna della tabella ;

**I disegni delle parti di ricambio sono solo indicativi e non rappresentano il pezzo in oggetto.**

**I dati contenuti in questo catalogo sono indicativi e possono essere soggetti a modifiche senza impegno di preavviso.**

**ALLGEMEINE INFORMATIONEN**

Dieser Ersatzteilkatalog dient zur genauen Angabe der Teile bei Ersatzteilbestellungen.

Bei Ersatzbestellung ist folgendes anzugeben:

1) Die Bestellnummer der Ersatzteile mit der entsprechenden Beschreibung genaue Menge;

2) Der alpha-numerischer Code auf der zweiten Reihe in dein Sculd;

**Die Zeichnungen der Ersatzteile sind nur als Hinweise gedacht und stellen nicht das betroffene Teil dar.**

**Bei den im Katalog angeführten Daten handelt es sich um Anhaltsdaten, die jederzeit, ohne Vorankündigung, geändert werden können.**

**GENERAL INFORMATION**

The present spare parts order exactly the right spare parts

When ordering specify:

1) the part's code number followed by its description and quantity needed;

2) The alpha-numeric code is in the second column in the chart;

**Spare parts drawings are general and do not represent the part.**

**The contents of this catalogue are general and can undergo changes without prior notice.**

**INFORMACIONES GENERALES**

El presente catálogo sirve para pedir con exactitud las partes de repuesto

En los pedidos se debe indicar:

1) el número de código de la parte y a continuación la descripción cantidad deseada;

2) El código alfanumerico presente en la segnada columna de la tabla;

**Los diseños de las partes de recambio son solo indicativos y no representan la pieza en cuestión.**

**Los datos contenidos en el presente catálogo son indicativos y pueden modificarse sin aviso previo.**

**INFORMATIONS GENERALES**

Ce catalogue permet de commander correctement les pièces détachées

Les commandes doivent être passées en indiquant:

1) le numero de code des pièces détachées suivi de leur description quantité désirée;

2) le code alphanumérique dans la deuxième colonne du tableau;

**Les plans des pièces détachées sont fournis seulement à titre indicatif et ne représentent pas la pièce concernée.**

**Les données de ce catalogue sont citées seulement à titre indicatif et peuvent être l'objet de modifications sans avis préalable.**

**ESEMPIO  
EXAMPLE  
EXEMPLE  
BEISPIEL**

| Rif.               | Codici  |
|--------------------|---------|
| MODULE:Particolari |         |
| 10505              | 540903  |
| 10510              | 540908  |
| 10515              | 15065/A |
| 10520              | 540086  |
| 10525              | 540028  |



**Note**

Tutte le informazioni riportate si intendono aggiornate alla data di stampa. Il Produttore si riserva il diritto di apportare qualsiasi modifica richiesta dallo sviluppo evolutivo dei suddetti prodotti.

Per la sicurezza, la garanzia, l'affidabilità ed il valore della lavastoviglie usa solo ricambi originali. **Per alcuni codici, sono richieste quantità minime d'ordine.**



**Attenzione**

Questo libretto è parte integrante della lavastoviglie e, in caso di passaggio di proprietà, deve essere consegnato al nuovo acquirente.



**Remarque**

Toutes les informations contenues dans ce manuel s'entendent mises à jour à la date d'impression. En raison du développement constant de ses produits, usine se réserve le droit d'apporter à tout instant les modifications qu'elle jugera utiles.

Pour la sécurité, la garantie, la fiabilité et la valeur de votre lavevaisselles n'utilisez que des pièces de rechange d'origine. **Pour quelque référence on demande un minimum de pièces par commande**



**Attention**

Ce manuel doit être considéré comme partie intégrante de la lavevaisselles, en cas de transfert de propriété, doit toujours être remis au nouveau propriétaire.



**Note**

The information contained herein is valid at the time of going to print. The Company reserves the right to make any changes required by the future development of the above-mentioned products.

For your safety, as well as to preserve the warranty reliability and worth of your dishwashers, use original spare parts only. **For some codes a minimum quantity for order is required.**



**Warning**

This manual forms an integral part of the dishwashers and - if a transfer of title occurs - must always be handed over to the new owner.



**Hinweis**

Die Der Hersteller behält sich das Recht vor, jegliche, durch eine Weiterentwicklung der genannten Produkte bedingte Änderungen vornehmen zu können.


Verwenden Sie für Ihre Sicherheit, die Garantie, die Zuverlässigkeit und den Wert Ihrer machine originale Ersatzteile. **Für bestimmte Code nummer werden mindesten bestellungen verlangt.**



**Achtung**

Diese Betriebsanleitung ist Bestandteile des machine und muss bei seinem Weiterverkauf dem neuen Besitzer ausgehändigt werden.

vsezip.ru  
+7(812)987-08-81




**Code** DW 999XXYYYY **CL/Part**

**Model DESCRIPTION**

**S/N** DW A 1015770 Type .....

400V 3N 50HZ 8A  
3500W 500W

**IPX3**  16A

Pressione Dinamica alimentazione idrica **200-500 kPa**

Pression dynamique arrivée d'eau

Dynamic pressure water supply

Dynamischer Druck asserreinlauf


Pressione dinamica vapore saturo

Pression dynamique vapore satueèè

Dymanischer Druck gesattigter Dampf

Pression Dinamica Vapor Saturado

**TECHICAL SPECIFICATION**




**MADE IN ITALY**


Temperatura massima acqua in ingresso **60°C**

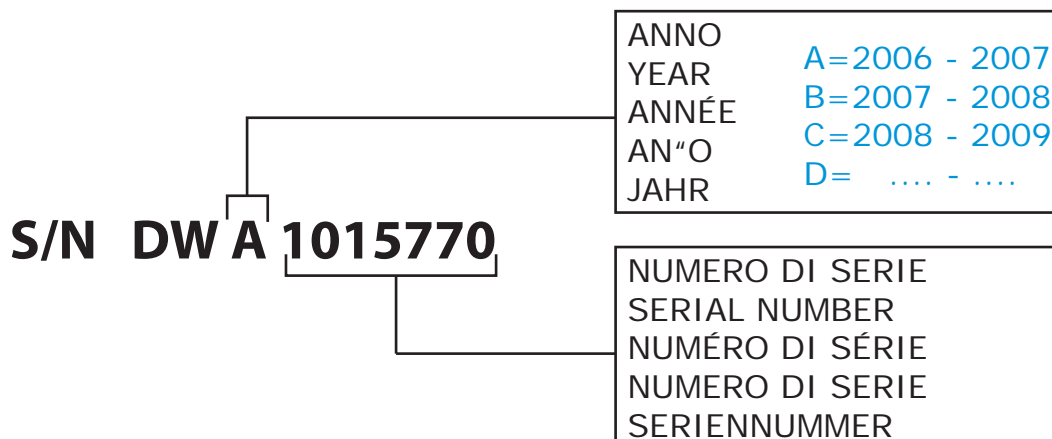
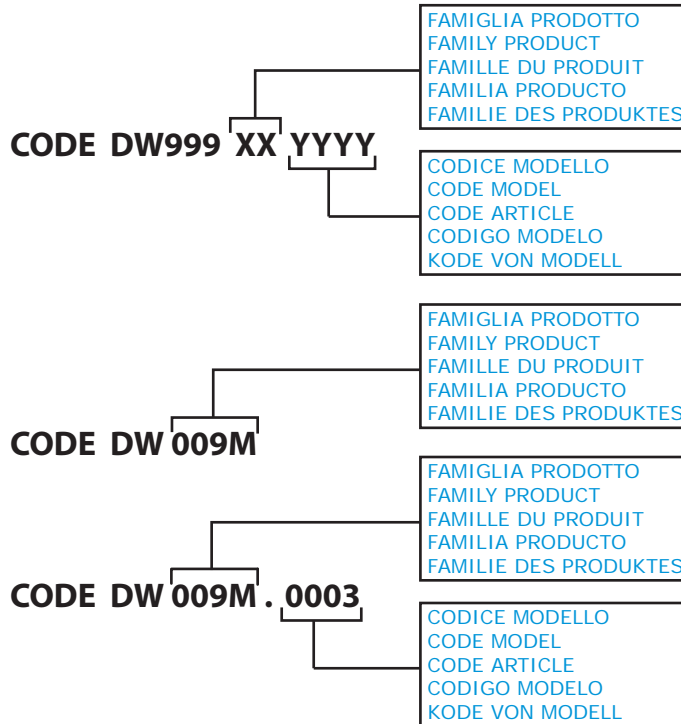
Temperature max eau a l'entre

Maximale Temperatur Wasseranschlü

Maximum Water temperature in-feeding

Model 

S/N 



Spare parts

---

**Зип Общепит**

**vsezip.ru**

**+7(812)987-08-81**

vsezip.ru

+7(812)987-08-81

## 1. Spare parts

|   |    |
|---|----|
| General body parts.....                 | 7  |
| Lockup system .....                     | 11 |
| Control panel and switches.....         | 13 |
| Electric control components.....        | 15 |
| Solenoid valve group .....              | 17 |
| Solenoid valve group .....              | 19 |
| Booster pump.....                       | 21 |
| DVGW .....                              | 23 |
| Water softner group.....                | 25 |
| Rinse aid dispenser group.....          | 27 |
| Boiler group .....                      | 29 |
| Connection group .....                  | 31 |
| Wash pump .....                         | 33 |
| Dosing detergent group.....             | 35 |
| Drain pump group.....                   | 37 |
| Pressure switch group with air trap ... | 39 |

Turret group with rotating arms .....41

+7(812)987-08-81

## 1.1 Voltage codes

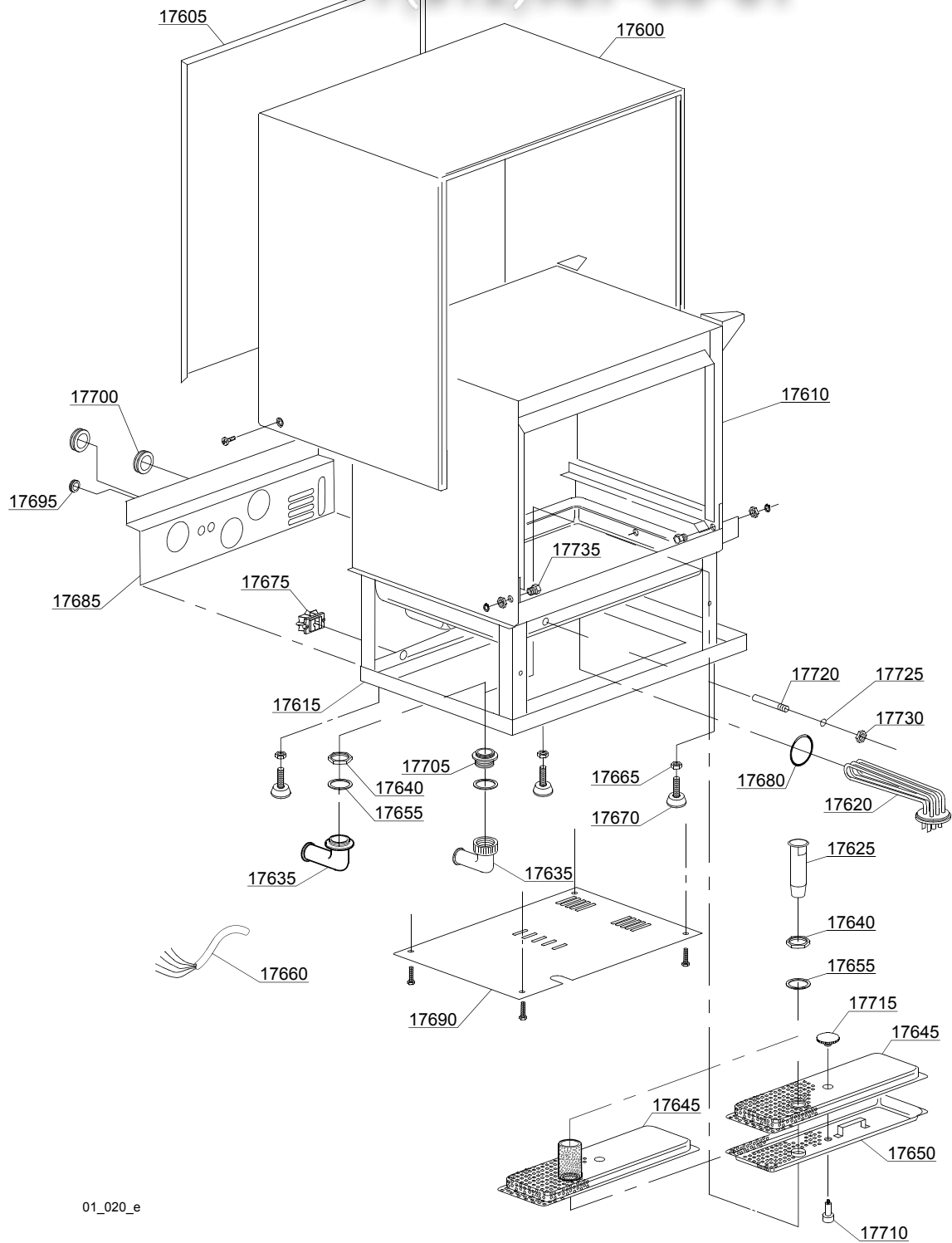
| Volt | Voltage code            |
|------|-------------------------|
| A    | 3/N/PE~380-400V 50-60Hz |
| D    | 3/PE~200-210V 50-60Hz   |
| F    | 2/PE~220-240V 50-60Hz   |
| G    | 3/N/PE~415V 50-60Hz     |
| H    | 3/PE~220-230V 50-60Hz   |
| K    | 3/PE~380-400V 50-60Hz   |
| L    | 3/PE~415V 50-60Hz       |
| M    | 3/PE~440V 60Hz          |
| P    | 1/N/PE~220-230V 50-60Hz |
| R    | 2/PE~220-240V 50-60Hz   |
| U    | 1/N/PE~240V 50-60Hz     |
| V    | 3/PE~240V 50-60Hz       |
| W    | 1/N/PE~100-110V 50-60Hz |

## 1.2 Product codes

| Product code    | Full name                  |
|-----------------|----------------------------|
| Model codes     |                            |
| em              | ELECTROMECHANICAL SWITCHES |
| uw              | LOWER AND UPPER WASHING    |
| Type codes      |                            |
| 38U             | 38U                        |
| Accessory codes |                            |
| bp              | BOOSTER PUMP               |
| dvgw            | DVGW                       |
| ws              | WATER SOFTNER              |
| dd              | DETERGENT DISPENSER        |
| dp              | DRAIN PUMP                 |

vsezip.ru

+7(812)987-08-81



01\_020\_e



| ID                               | P-code  | SN from | SN to | Mod. | Acces. | Volt | Description                                   |
|----------------------------------|---------|---------|-------|------|--------|------|---|
| <b>Module:General body parts</b> |         |         |       |      |        |      |   |
| 17600                            | 575909  |         | -     |      |        |      | Cover   |
| 17605                            | 575908  |         | -     |      |        |      | Back panel                                    |
| 17610                            | 575901  |         | -     |      |        |      | Body  |
| 17610                            | 575917  |         | -     |      | ws     |      | Body  |
| 17615                            | 575900  |         | -     |      |        |      | Base  |
| 17620                            | 15047/E |         | -     |      |        |      | 2,5/2,72KW 230/240V heating element           |
| 17620                            | 15047/A |         | -     |      |        |      | 2,7/2,94KW 230/240V 3 heating element         |
| 17625                            | 15126   |         | -     |      |        |      | Overflow pipe                                 |
| 17625                            | 150320  |         | -     |      | dp     |      | Overflow pipe                                 |
| 17635                            | 15613   |         | -     |      |        |      | Drain elbow                                   |
| 17635                            | 10701   |         | -     |      | dp     |      | Drain elbow                                   |
| 17640                            | 11701/A |         | -     |      |        |      | Stainless steel nut                           |
| 17645                            | 15932   |         | -     |      |        |      | Top filter assembly                           |
| 17645                            | 15970   |         | -     |      | dp     |      | Top filter assembly                           |
| 17650                            | 15933   |         | -     |      |        |      | Rectangular steel filter                      |
| 17655                            | 13305   |         | -     |      |        |      | 44x32x3 O-ring (minimum 5 pieces)             |
| 17660                            | 15118   |         | -     |      |        |      | 5x2,5x2500 cable                              |
| 17660                            | 15104/B |         | -     |      |        |      | 3x4x2500 cable                                |
| 17665                            | 11711   |         | -     |      |        |      | M10 zinc plated nut (minimum 20 pieces)       |
| 17670                            | 10786   |         | -     |      |        |      | M10x25 Ø40 black foot (minimum 4 pieces)      |
| 17675                            | 15065/A |         | -     |      |        |      | Cable-fastener with screw                     |
| 17680                            | 13005   |         | -     |      |        |      | OR 151 NBR O-ring (minimum 5 pieces)          |
| 17685                            | 575907  |         | -     |      |        |      | End piece protection                          |
| 17690                            | 15133   |         | -     |      |        |      | End piece protection                          |
| 17695                            | 13323   |         | -     |      |        |      | D.13mm dosing pipe pass (minimum 2 pieces)    |
| 17700                            | 13317   |         | -     |      |        |      | D.40mm unloading pipe pass (minimum 2 pieces) |
| 17705                            | 15063   |         | -     |      |        |      | Steel floor drain                             |
| 17710                            | 15105   |         | -     |      |        |      | Complet steel lock-filter                     |

em=ELECTROMECHANICAL SWITCHES, uw=LOWER AND UPPER WASHING

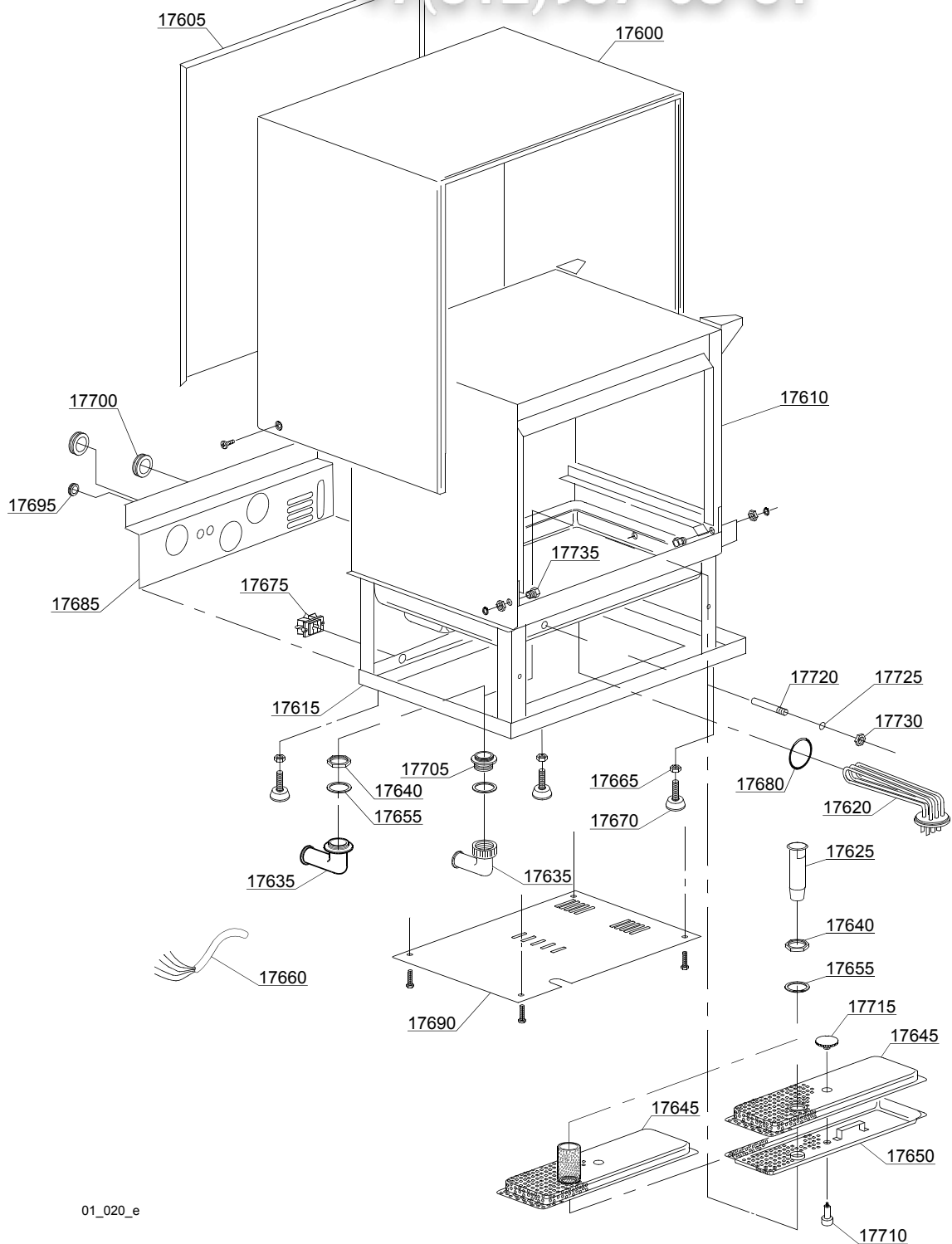
38U=38U

bp=BOOSTER PUMP, dvgw=DVGW, ws=WATER SOFTNER, dd=DETERGENT DISPENSER, dp=DRAIN PUMP

A=3/N/PE~380-400V 50-60Hz, D=3/PE~200-210V 50-60Hz, F=2/PE~220-240V 50-60Hz, G=3/N/PE~415V 50-60Hz, H=3/PE~220-230V 50-60Hz, K=3/PE~380-400V 50-60Hz, L=3/PE~415V 50-60Hz, M=3/PE~440V 60Hz, P=1/N/PE~220-230V 50-60Hz, R=2/PE~220-240V 50-60Hz, U=1/N/PE~240V 50-60Hz, V=3/PE~240V 50-60Hz, W=1/N/PE~100-110V 50-60Hz

vsezip.ru

+7(812)987-08-81



01\_020\_e

vsezip.ru

| ID                               | P-code | SN from | SN to | Mod. | Acces. | Volt | Description  |
|----------------------------------|--------|---------|-------|------|--------|------|--|
| <b>Module:General body parts</b> |        |         |       |      |        |      |  |
| 17715                            | 15209  |         | -     |      |        |      | Pin for filter fixing                                  |
| 17720                            | 12510  |         | -     |      |        |      | Thermostat feeler-holder                               |
| 17725                            | 13309  |         | -     |      |        |      | 10x14x1,5 O-ring (minimum 20 pieces)                   |
| 17730                            | 11714  |         | -     |      |        |      | M10x1 stainless steel nut for thermostat feeler-holder |
| 17735                            | 11835  |         | -     |      |        |      | Brass bush with nut                                    |

em=ELECTROMECHANICAL SWITCHES, uw=LOWER AND UPPER WASHING

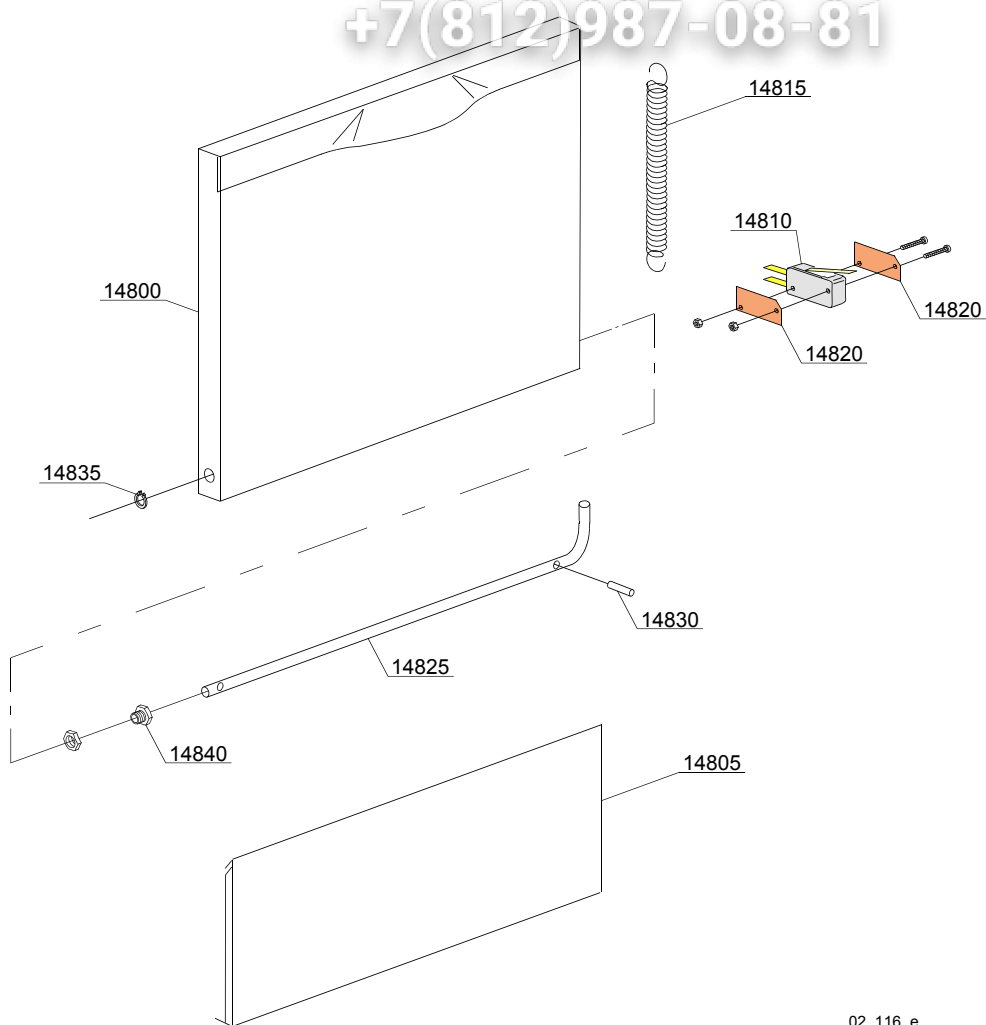
38U=38U

bp=BOOSTER PUMP, dvgw=DVGW, ws=WATER SOFTNER, dd=DETERGENT DISPENSER, dp=DRAIN PUMP

A=3/N/PE~380-400V 50-60Hz, D=3/PE~200-210V 50-60Hz, F=2/PE~220-240V 50-60Hz, G=3/N/PE~415V 50-60Hz, H=3/PE~220-230V 50-60Hz, K=3/PE~380-400V 50-60Hz, L=3/PE~415V 50-60Hz, M=3/PE~440V 60Hz, P=1/N/PE~220-230V 50-60Hz, R=2/PE~220-240V 50-60Hz, U=1/N/PE~240V 50-60Hz, V=3/PE~240V 50-60Hz, W=1/N/PE~100-110V 50-60Hz

vsezip.ru

+7(812)987-08-81



02\_116\_e

vsezip.ru

| ID                           | P-code  | SN from | SN to | Mod. | Acces. | Volt | Description  |
|------------------------------|---------|---------|-------|------|--------|------|--|
| <b>Module: Lockup system</b> |         |         |       |      |        |      |  |
| 14800                        | 575930  |         | -     |      |        |      | Door with stainless steel handle                   |
| 14805                        | 575910  |         | -     |      |        |      | Lower door   |
| 14810                        | 10704   |         | -     |      |        |      | Door microswitch                                   |
| 14815                        | 10700/A |         | -     |      |        |      | Spring   |
| 14820                        | 10770   |         | -     |      |        |      | Insulation for door microswitch (minimum 3 pieces) |
| 14825                        | 15009   |         | -     |      |        |      | Rod door   |
| 14830                        | 11501   |         | -     |      |        |      | M5x20 grub-screw (minimum 2 pieces)                |
| 14835                        | 11815   |         | -     |      |        |      | Ø8 stainless steel snap ring (minimum 5 pieces)    |
| 14840                        | 11835   |         | -     |      |        |      | Brass bush with nut                                |

em=ELECTROMECHANICAL SWITCHES, uw=LOWER AND UPPER WASHING

38U=38U

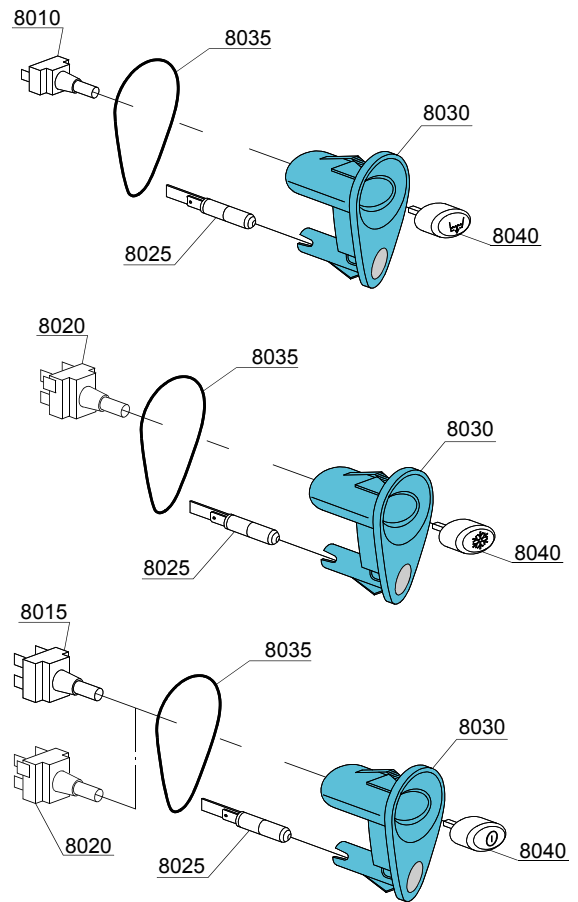
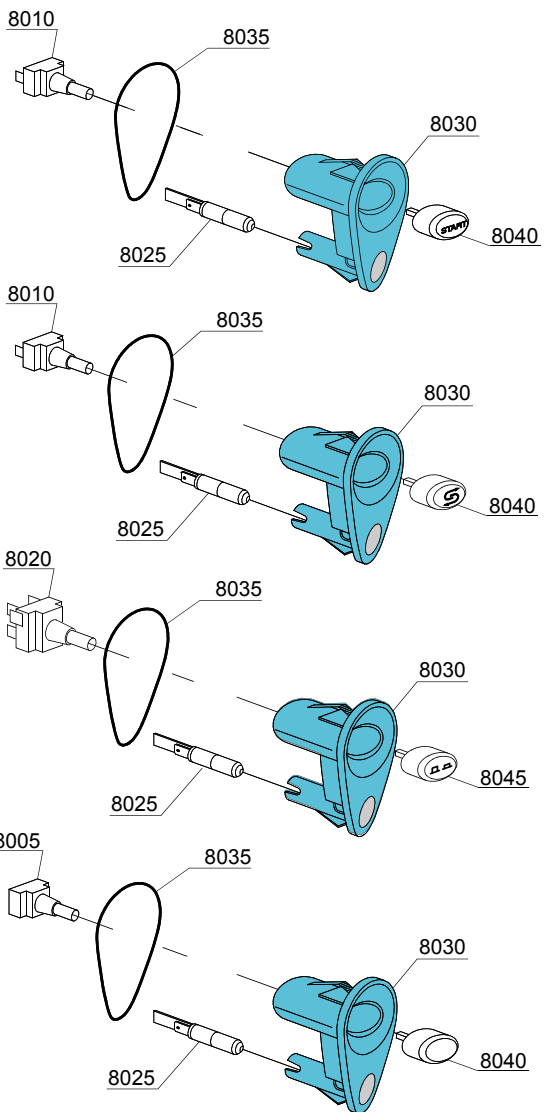
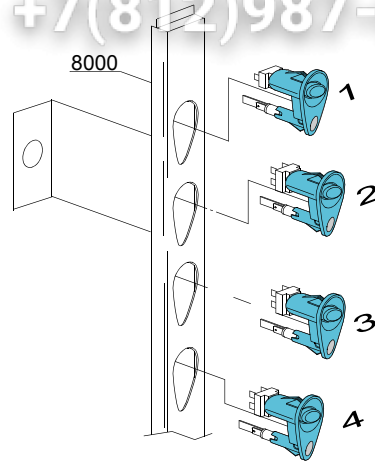
bp=BOOSTER PUMP, dvgw=DVGW, ws=WATER SOFTNER, dd=DETERGENT DISPENSER, dp=DRAIN PUMP

A=3/N/PE~380-400V 50-60Hz, D=3/PE~200-210V 50-60Hz, F=2/PE~220-240V 50-60Hz, G=3/N/PE~415V 50-60Hz, H=3/PE~220-230V 50-60Hz, K=3/PE~380-400V 50-60Hz, L=3/PE~415V 50-60Hz, M=3/PE~440V 60Hz, P=1/N/PE~220-230V 50-60Hz, R=2/PE~220-240V 50-60Hz, U=1/N/PE~240V 50-60Hz, V=3/PE~240V 50-60Hz, W=1/N/PE~100-110V 50-60Hz

vsezip.ru

+7(812)987-08-81

03\_015be



vsezip.ru

| ID  | P-code | SN from | SN to | Mod. | Acces. | Volt | Description                   |
|---|--------|---------|-------|------|--------|------|-------------------------------|
| <b>Module: Control panel and switches</b> |        |         |       |      |        |      |                               |
| 8000                                      | 575935 |         | -     | em   |        |      | Control panel                 |
| 8005                                      | 15844  |         | -     | em   |        |      | Push button support           |
| 8010                                      | 15813  |         | -     | em   |        |      | 16A unipolar switch           |
| 8015                                      | 15812  |         | -     | em   |        |      | 16A switch                    |
| 8025                                      | 15826  |         | -     | em   |        |      | Pilot light 220V              |
| 8030                                      | 89300  |         | -     | em   |        |      | Push button support           |
| 8035                                      | 89332  |         | -     | em   |        |      | OR O-ring (minimum 10 pieces) |
| 8040                                      | 89343  |         | -     | em   | dp     |      | Drain pump push button        |
| 8040                                      | 89341  |         | -     | em   |        |      | Start push button             |
| 8040                                      | 89348  |         | -     | em   |        |      | Blind push button             |
| 8040                                      | 89340  |         | -     | em   |        |      | ON-OFF push button            |
| 8040                                      | 89345  |         | -     | em   | ws     |      | Regeneration push button      |

em=ELECTROMECHANICAL SWITCHES, uw=LOWER AND UPPER WASHING

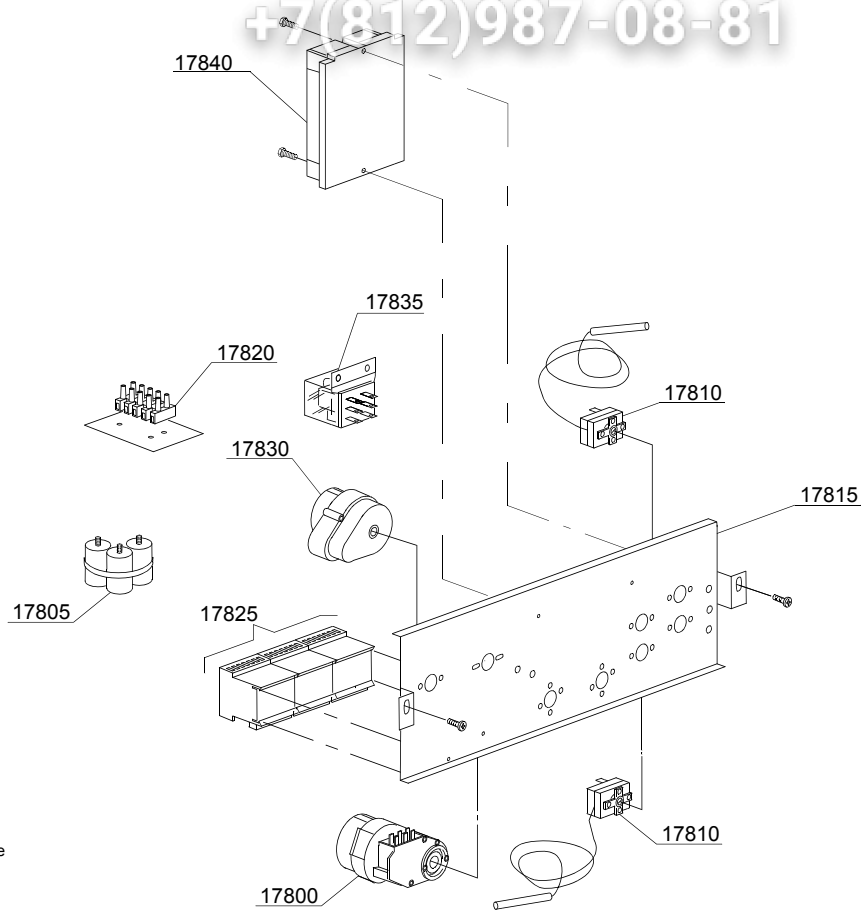
38U=38U

bp=BOOSTER PUMP, dvgw=DVGW, ws=WATER SOFTNER, dd=DETERGENT DISPENSER, dp=DRAIN PUMP

A=3/N/PE~380-400V 50-60Hz, D=3/PE~200-210V 50-60Hz, F=2/PE~220-240V 50-60Hz, G=3/N/PE~415V 50-60Hz, H=3/PE~220-230V 50-60Hz, K=3/PE~380-400V 50-60Hz, L=3/PE~415V 50-60Hz, M=3/PE~440V 60Hz, P=1/N/PE~220-230V 50-60Hz, R=2/PE~220-240V 50-60Hz, U=1/N/PE~240V 50-60Hz, V=3/PE~240V 50-60Hz, W=1/N/PE~100-110V 50-60Hz

vsezip.ru

+7(812)987-08-81



04\_018\_e



vsezip.ru

| ID   | P-code  | SN from | SN to | Mod. | Acces. | Volt | Description                                |
|--|---------|---------|-------|------|--------|------|--|
| <b>Module: Electric control components</b> |         |         |       |      |        |      |  |
| 17800                                      | 10708/B |         | -     |      |        | A    | 120" timer - 220Vac 60Hz                   |
| 17800                                      | 10708/N |         | -     |      |        | A    | 90" timer with thermostop - 230Vac 50Hz    |
| 17805                                      | 15149   |         | -     |      |        |      | Low noise filter                           |
| 17810                                      | 10707/1 |         | -     |      |        |      | 0-90°C thermostat                          |
| 17815                                      | 575906  |         | -     |      |        |      | Electric components panel                  |
| 17820                                      | 15119   |         | -     |      |        |      | Terminal board                             |
| 17825                                      | 15086   |         | -     |      |        |      | Contactora 230V 50/60Hz 4C                 |
| 17825                                      | 15086/B |         | -     |      |        |      | Contactora 240V 50Hz                       |
| 17825                                      | 15086/T |         | -     |      |        |      | 200Vac3N 50/60HZ contactora                |
| 17830                                      | 16064/A |         | -     |      | ws     |      | Regeneration timer                         |
| 17835                                      | 15620   |         | -     |      | dp,ws  |      | 16A bipolar relay in deviation             |
| 17840                                      | 50553   | 4002149 | -     |      | dp,ws  |      | 3 times electronic timer with regeneration |

em=ELECTROMECHANICAL SWITCHES, uw=LOWER AND UPPER WASHING

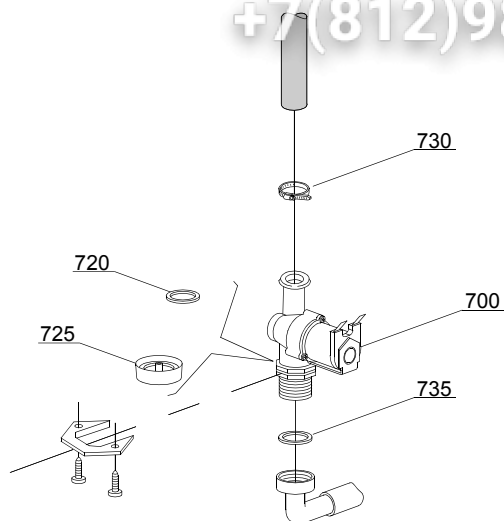
38U=38U

bp=BOOSTER PUMP, dvgw=DVGW, ws=WATER SOFTNER, dd=DETERGENT DISPENSER, dp=DRAIN PUMP

A=3/N/PE~380-400V 50-60Hz, D=3/PE~200-210V 50-60Hz, F=2/PE~220-240V 50-60Hz, G=3/N/PE~415V 50-60Hz,  
H=3/PE~220-230V 50-60Hz, K=3/PE~380-400V 50-60Hz, L=3/PE~415V 50-60Hz, M=3/PE~440V 60Hz, P=1/N/PE~220-  
230V 50-60Hz, R=2/PE~220-240V 50-60Hz, U=1/N/PE~240V 50-60Hz, V=3/PE~240V 50-60Hz, W=1/N/PE~100-110V  
50-60Hz

vsezip.ru

+7(812)987-08-81



05\_002\_e

vsezip.ru

| ID                                 | P-code | SN from | SN to | Mod. | Acces | Volt | Description                    |
|------------------------------------|--------|---------|-------|------|-------|------|--------------------------------|
| <b>Module:Solenoid valve group</b> |        |         |       |      |       |      |                                |
| 700                                | 10703  |         | -     | em   |       |      | Single solenoid valve - 230Vac |
| 720                                | N.C.   |         | -     | em   |       |      | Pression reducing valve        |
| 730                                | 11807  |         | -     | em   |       |      | 12/22 clamp (minimum 3 pieces) |
| 735                                | 13307  |         | -     | em   |       |      | 3/4 gasket                     |

em=ELECTROMECHANICAL SWITCHES, uw=LOWER AND UPPER WASHING

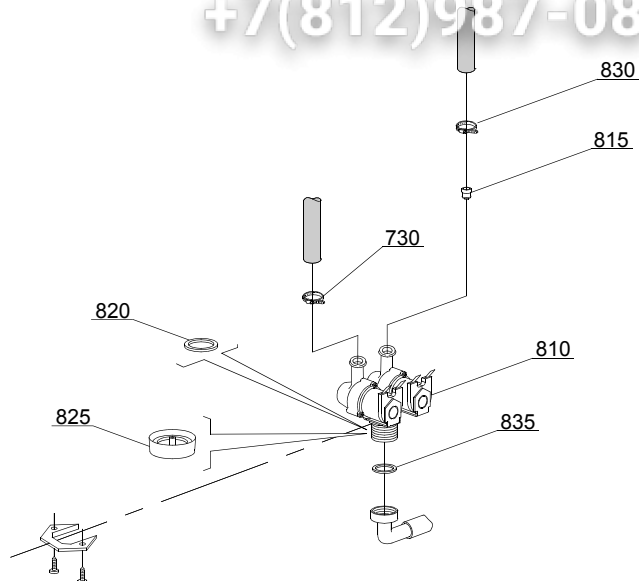
38U=38U

bp=BOOSTER PUMP, dvgw=DVGW, ws=WATER SOFTNER, dd=DETERGENT DISPENSER, dp=DRAIN PUMP

A=3/N/PE~380-400V 50-60Hz, D=3/PE~200-210V 50-60Hz, F=2/PE~220-240V 50-60Hz, G=3/N/PE~415V 50-60Hz, H=3/PE~220-230V 50-60Hz, K=3/PE~380-400V 50-60Hz, L=3/PE~415V 50-60Hz, M=3/PE~440V 60Hz, P=1/N/PE~220-230V 50-60Hz, R=2/PE~220-240V 50-60Hz, U=1/N/PE~240V 50-60Hz, V=3/PE~240V 50-60Hz, W=1/N/PE~100-110V 50-60Hz

vsezip.ru

+7(812)987-08-81



05\_003\_€

vsezip.ru

| ID                                 | P-code | SN from | SN to | Mod. | Acces. | Volt | Description                          |
|------------------------------------|--------|---------|-------|------|--------|------|--------------------------------------|
| <b>Module:Solenoid valve group</b> |        |         |       |      |        |      |                                      |
| 810                                | 15098  |         | -     | em   | ws     |      | Double solenoid valve - Ø10 - 230Vac |
| 820                                | N.C.   |         | -     | em   | ws     |      | Pression reducing valve              |
| 830                                | 11807  |         | -     | em   |        |      | 12/22 clamp (minimum 3 pieces)       |
| 835                                | 13307  |         | -     | em   |        |      | 3/4 gasket                           |

em=ELECTROMECHANICAL SWITCHES, uw=LOWER AND UPPER WASHING

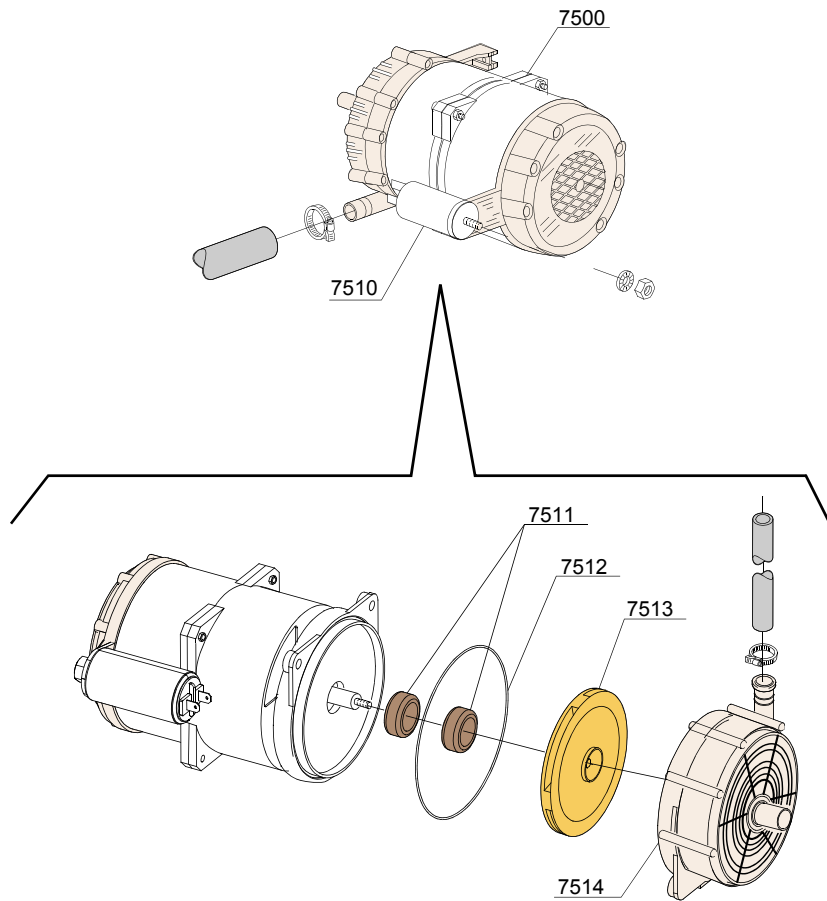
38U=38U

bp=BOOSTER PUMP, dvgw=DVGW, ws=WATER SOFTNER, dd=DETERGENT DISPENSER, dp=DRAIN PUMP

A=3/N/PE~380-400V 50-60Hz, D=3/PE~200-210V 50-60Hz, F=2/PE~220-240V 50-60Hz, G=3/N/PE~415V 50-60Hz, H=3/PE~220-230V 50-60Hz, K=3/PE~380-400V 50-60Hz, L=3/PE~415V 50-60Hz, M=3/PE~440V 60Hz, P=1/N/PE~220-230V 50-60Hz, R=2/PE~220-240V 50-60Hz, U=1/N/PE~240V 50-60Hz, V=3/PE~240V 50-60Hz, W=1/N/PE~100-110V 50-60Hz

vsezip.ru

+7(812)987-08-81



VERSIONE BREAK TANK / VERSIONE PLUS  
BREAK TANK VERSION / SYSTEM PLUS VERSION  
VERSION BREAK TANK / VERSION SISTEME PLUS

vsezip.ru

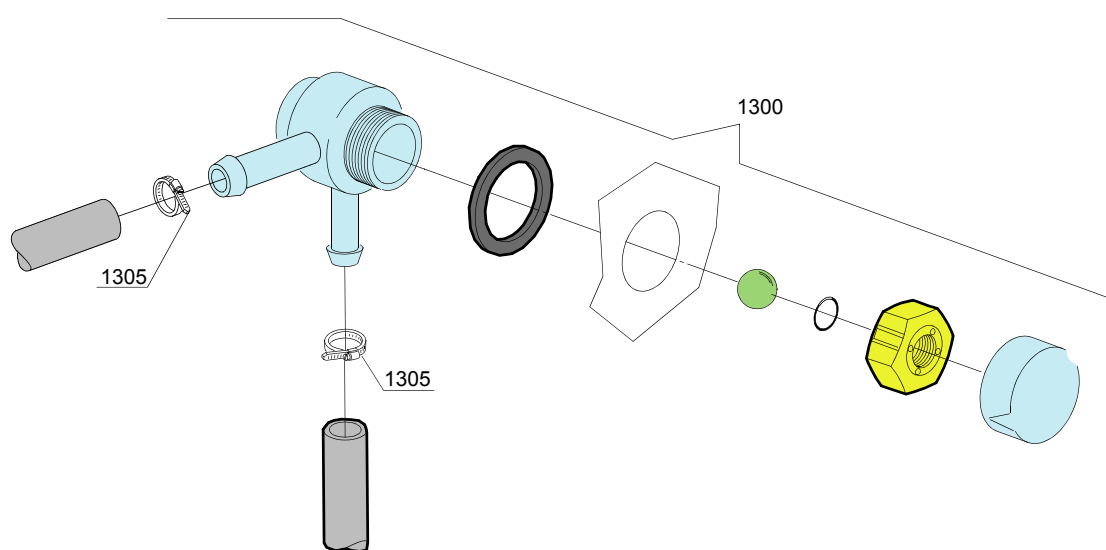
| ID                         | P-code  | SN from | SN to | Mod. | Acces. | Volt | Description                                   |
|----------------------------|---------|---------|-------|------|--------|------|---|
| <b>Module:Booster pump</b> |         |         |       |      |        |      |   |
| 7500                       | 15100/D |         | -     | em   | bp     |      | Booster pump 220/240V - body pumps in brass   |
| 7500                       | 15100/D |         | -     | em   | bp     |      | Booster pump 220/240V - body pumps in plastic |
| 7505                       | 12013   |         | -     | em   | bp     |      | Rubber-holder                                 |
| 7510                       | 10702   |         | -     | em   | bp     |      | 5 uF condenser - 450V                         |

em=ELECTROMECHANICAL SWITCHES, uw=LOWER AND UPPER WASHING

38U=38U

bp=BOOSTER PUMP, dvgw=DVGW, ws=WATER SOFTNER, dd=DETERGENT DISPENSER, dp=DRAIN PUMP

A=3/N/PE~380-400V 50-60Hz, D=3/PE~200-210V 50-60Hz, F=2/PE~220-240V 50-60Hz, G=3/N/PE~415V 50-60Hz, H=3/PE~220-230V 50-60Hz, K=3/PE~380-400V 50-60Hz, L=3/PE~415V 50-60Hz, M=3/PE~440V 60Hz, P=1/N/PE~220-230V 50-60Hz, R=2/PE~220-240V 50-60Hz, U=1/N/PE~240V 50-60Hz, V=3/PE~240V 50-60Hz, W=1/N/PE~100-110V 50-60Hz





vsezip.ru

| ID                  | P-code    | SN from | SN to | Mod. | Acces. | Volt | Description                    |
|---------------------|-----------|---------|-------|------|--------|------|--------------------------------|
| <b>Module: DVGW</b> |           |         |       |      |        |      |                                |
| 1300                | 999900006 |         | -     | em   | dvgw   |      | DVGW assembly                  |
| 1305                | 11807     |         | -     | em   |        |      | 12/22 clamp (minimum 3 pieces) |

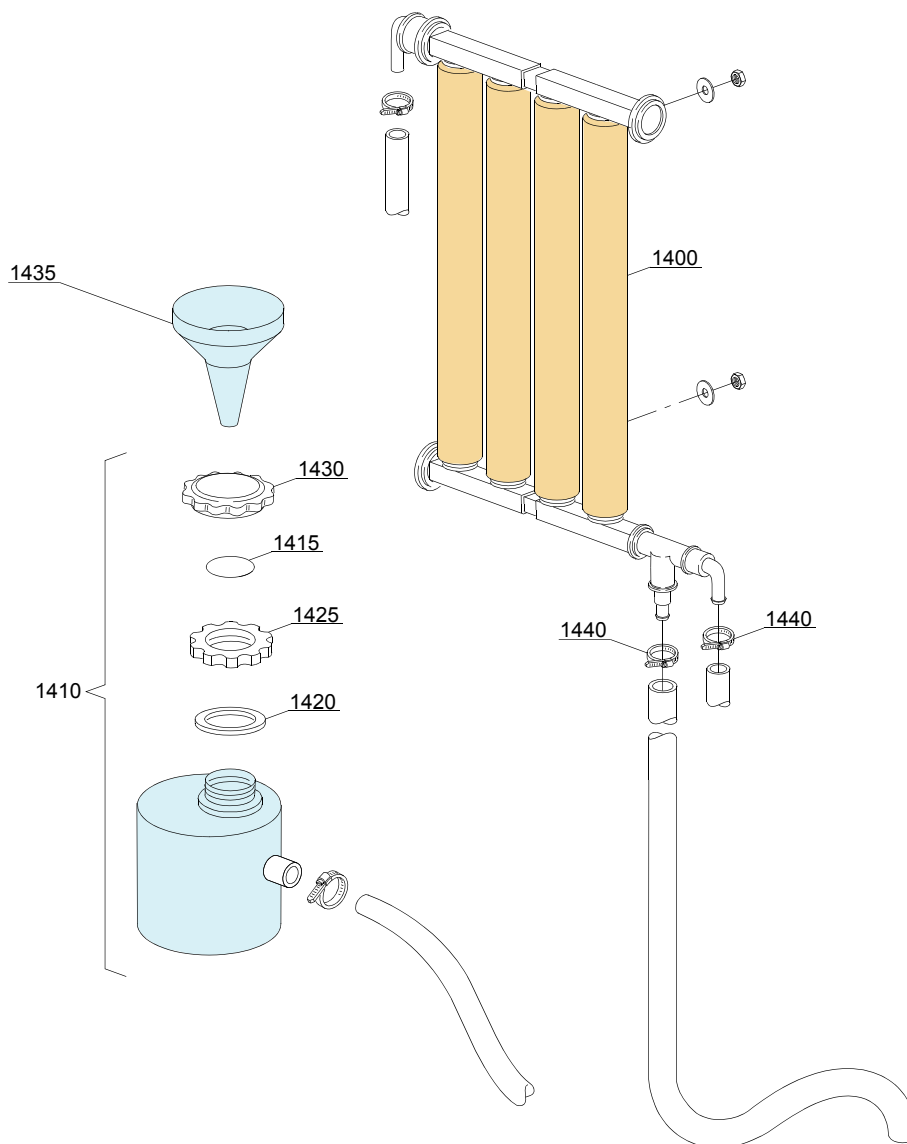
em=ELECTROMECHANICAL SWITCHES, uw=LOWER AND UPPER WASHING

38U=38U

bp=BOOSTER PUMP, dvgw=DVGW, ws=WATER SOFTNER, dd=DETERGENT DISPENSER, dp=DRAIN PUMP

A=3/N/PE~380-400V 50-60Hz, D=3/PE~200-210V 50-60Hz, F=2/PE~220-240V 50-60Hz, G=3/N/PE~415V 50-60Hz, H=3/PE~220-230V 50-60Hz, K=3/PE~380-400V 50-60Hz, L=3/PE~415V 50-60Hz, M=3/PE~440V 60Hz, P=1/N/PE~220-230V 50-60Hz, R=2/PE~220-240V 50-60Hz, U=1/N/PE~240V 50-60Hz, V=3/PE~240V 50-60Hz, W=1/N/PE~100-110V 50-60Hz

09\_001\_e



vsezip.ru

| ID                                 | P-code  | SN from | SN to | Mod. | Acces. | Volt | Description                    |
|------------------------------------|---------|---------|-------|------|--------|------|--------------------------------|
| <b>Module: Water softner group</b> |         |         |       |      |        |      |                                |
| 1400                               | 16066   |         | -     | em   | ws     |      | 4 elements water softner       |
| 1410                               | 16065   |         | -     | em   | ws     |      | Salt container                 |
| 1415                               | 16067/A |         | -     | em   | ws     |      | OR O-ring                      |
| 1420                               | 16067/B |         | -     | em   | ws     |      | O-ring                         |
| 1425                               | 16067/C |         | -     | em   | ws     |      | Ring nut                       |
| 1430                               | 16067/D |         | -     | em   | ws     |      | Plug                           |
| 1435                               | 16082   |         | -     | em   | ws     |      | Funnel                         |
| 1440                               | 11807   |         | -     | em   | ws     |      | 12/22 clamp (minimum 3 pieces) |

em=ELECTROMECHANICAL SWITCHES, uw=LOWER AND UPPER WASHING

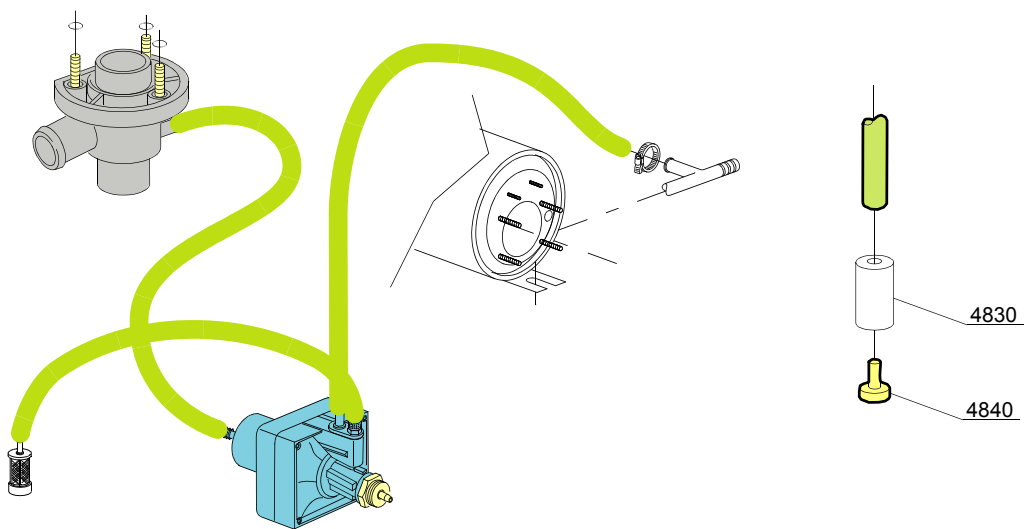
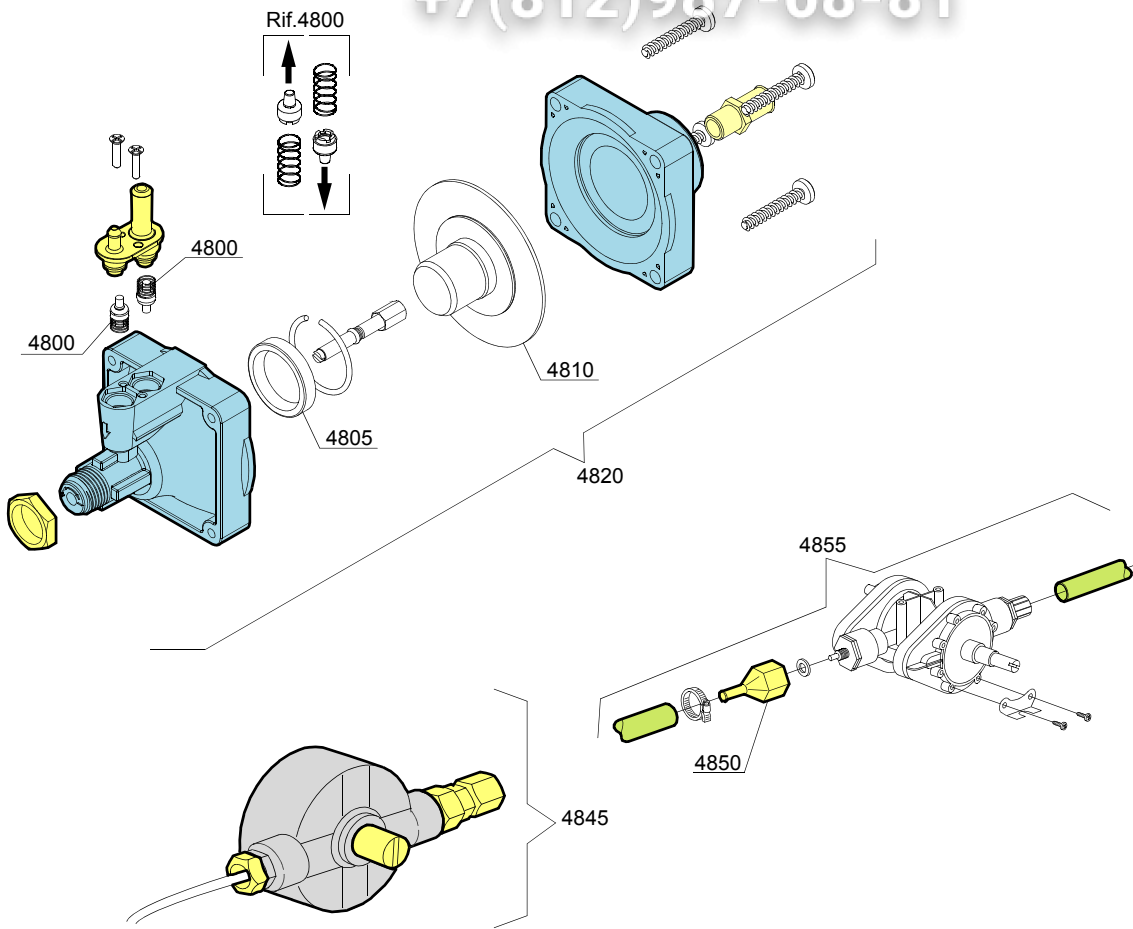
38U=38U

bp=BOOSTER PUMP, dvgw=DVGW, ws=WATER SOFTNER, dd=DETERGENT DISPENSER, dp=DRAIN PUMP

A=3/N/PE~380-400V 50-60Hz, D=3/PE~200-210V 50-60Hz, F=2/PE~220-240V 50-60Hz, G=3/N/PE~415V 50-60Hz, H=3/PE~220-230V 50-60Hz, K=3/PE~380-400V 50-60Hz, L=3/PE~415V 50-60Hz, M=3/PE~440V 60Hz, P=1/N/PE~220-230V 50-60Hz, R=2/PE~220-240V 50-60Hz, U=1/N/PE~240V 50-60Hz, V=3/PE~240V 50-60Hz, W=1/N/PE~100-110V 50-60Hz

vsezip.ru

+7(812)987-08-81



10\_004\_e

vsezip.ru

| ID                                       | P-code  | SN from | SN to | Mod. | Acces | Volt | Description                     |
|--|---------|---------|-------|------|-------|------|---------------------------------|
| <b>Module: Rinse aid dispenser group</b> |         |         |       |      |       |      |                                 |
| 4800                                     | 10805   |         | -     | em   |       |      | Tecnopro non return valve       |
| 4805                                     | 10806   |         | -     | em   |       |      | Ø22 O-ring                      |
| 4810                                     | 10807   |         | -     | em   |       |      | Membrane                        |
| 4820                                     | 10799   |         | -     | em   |       |      | TECNO PRO rinse aid dispenser   |
| 4830                                     | 12525   |         | -     | em   |       |      | Ballast                         |
| 4840                                     | 15058   |         | -     | em   |       |      | Small filter (minimum 3 pieces) |
| 4845                                     | 10799   |         | -     | em   |       |      | GERMAC rinse aid dispenser      |
| 4850                                     | 10798/B |         | -     | em   |       |      | Brass pipe fitting              |
| 4855                                     | 10798   |         | -     | em   |       |      | LANG rinse aid dispenser        |

em=ELECTROMECHANICAL SWITCHES, uw=LOWER AND UPPER WASHING

38U=38U

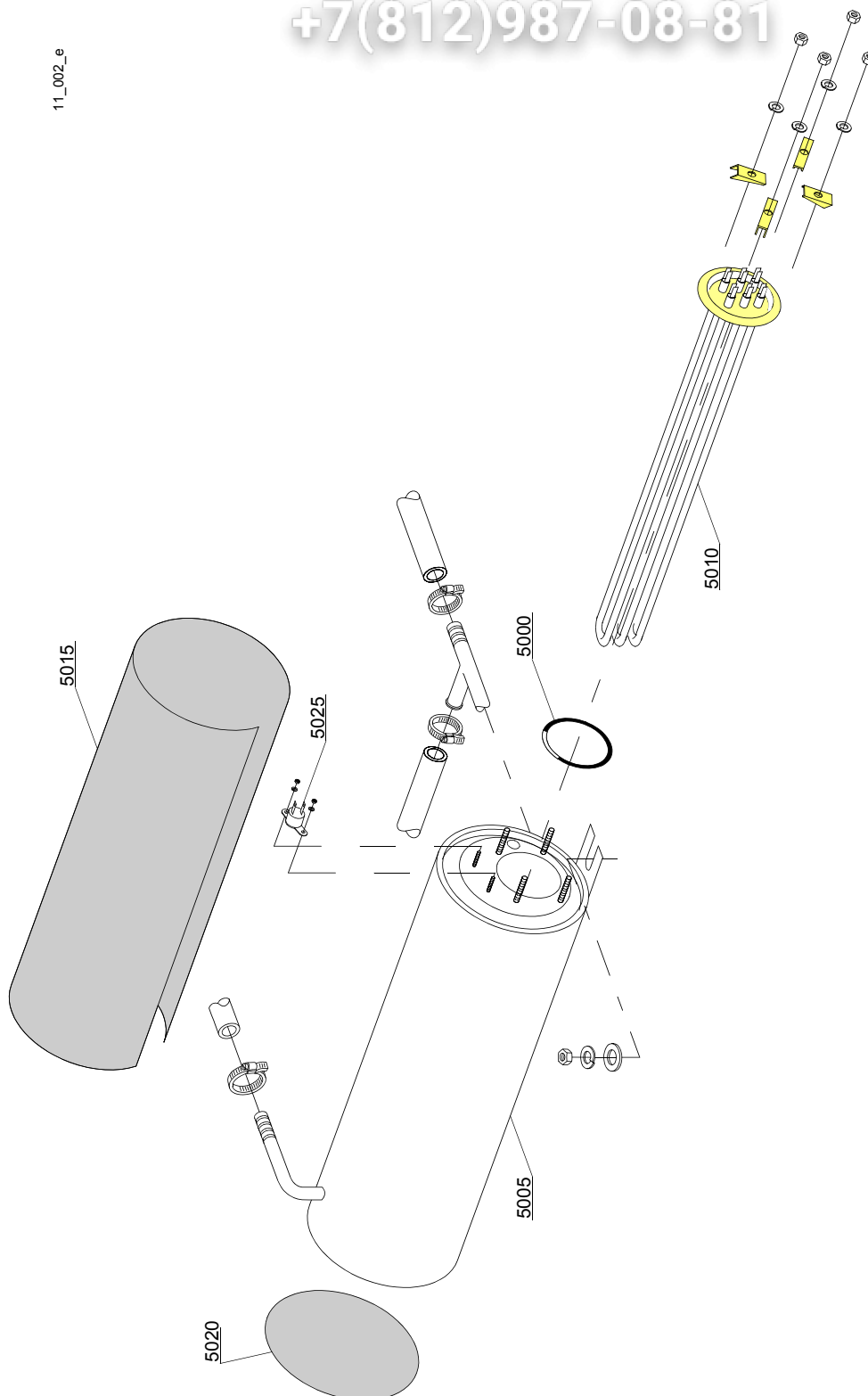
bp=BOOSTER PUMP, dvgw=DVGW, ws=WATER SOFTNER, dd=DETERGENT DISPENSER, dp=DRAIN PUMP

A=3/N/PE~380-400V 50-60Hz, D=3/PE~200-210V 50-60Hz, F=2/PE~220-240V 50-60Hz, G=3/N/PE~415V 50-60Hz, H=3/PE~220-230V 50-60Hz, K=3/PE~380-400V 50-60Hz, L=3/PE~415V 50-60Hz, M=3/PE~440V 60Hz, P=1/N/PE~220-230V 50-60Hz, R=2/PE~220-240V 50-60Hz, U=1/N/PE~240V 50-60Hz, V=3/PE~240V 50-60Hz, W=1/N/PE~100-110V 50-60Hz

vsezip.ru

+7(812)987-08-81

11\_002\_e



vsezip.ru

| ID                         | P-code | SN from | SN to | Mod. | Acces. | Volt | Description                          |
|----------------------------|--------|---------|-------|------|--------|------|--------------------------------------|
| <b>Module:Boiler group</b> |        |         |       |      |        |      |                                      |
| 5000                       | 13005  |         | -     | em   |        |      | OR 151 NBR O-ring (minimum 5 pieces) |
| 5005                       | 150905 |         | -     | em   |        |      | Boiler                               |
| 5010                       | 15089  |         | -     | em   |        |      | 4,5/4,9KW 230/240V 3 heating element |
| 5010                       | 15046  |         | -     | em   |        |      | 3/3,27KW 230/240V 3 heating element  |
| 5015                       | 15066  |         | -     | em   |        |      | Insulation boiler                    |
| 5020                       | 15205  |         | -     | em   |        |      | Ø160 End piece (minimum 2 pieces)    |
| 5025                       | 15550  |         | -     | em   |        |      | Safety thermostat                    |

em=ELECTROMECHANICAL SWITCHES, uw=LOWER AND UPPER WASHING

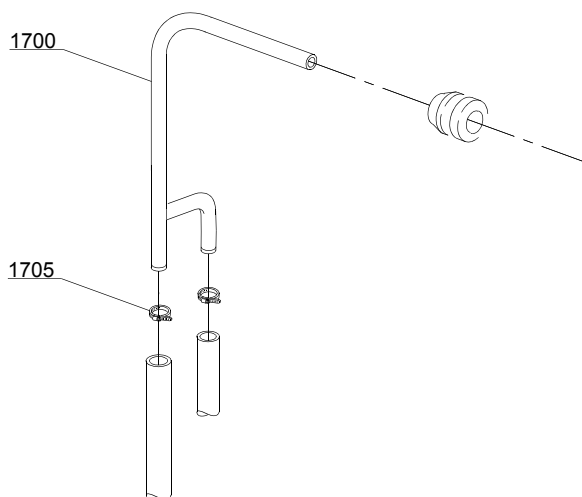
38U=38U

bp=BOOSTER PUMP, dvgw=DVGW, ws=WATER SOFTNER, dd=DETERGENT DISPENSER, dp=DRAIN PUMP

A=3/N/PE~380-400V 50-60Hz, D=3/PE~200-210V 50-60Hz, F=2/PE~220-240V 50-60Hz, G=3/N/PE~415V 50-60Hz, H=3/PE~220-230V 50-60Hz, K=3/PE~380-400V 50-60Hz, L=3/PE~415V 50-60Hz, M=3/PE~440V 60Hz, P=1/N/PE~220-230V 50-60Hz, R=2/PE~220-240V 50-60Hz, U=1/N/PE~240V 50-60Hz, V=3/PE~240V 50-60Hz, W=1/N/PE~100-110V 50-60Hz

vsezip.ru

+7(812)987-08-81





vsezip.ru

| ID                             | P-code  | SN from | SN to | Mod. | Acces. | Volt | Description                    |
|--------------------------------|---------|---------|-------|------|--------|------|--------------------------------|
| <b>Module:Connection group</b> |         |         |       |      |        |      |                                |
| 1700                           | 15045/B |         | -     |      |        |      | 3 ways connection              |
| 1705                           | 11807   |         | -     |      |        |      | 12/22 clamp (minimum 3 pieces) |

em=ELECTROMECHANICAL SWITCHES, uw=LOWER AND UPPER WASHING

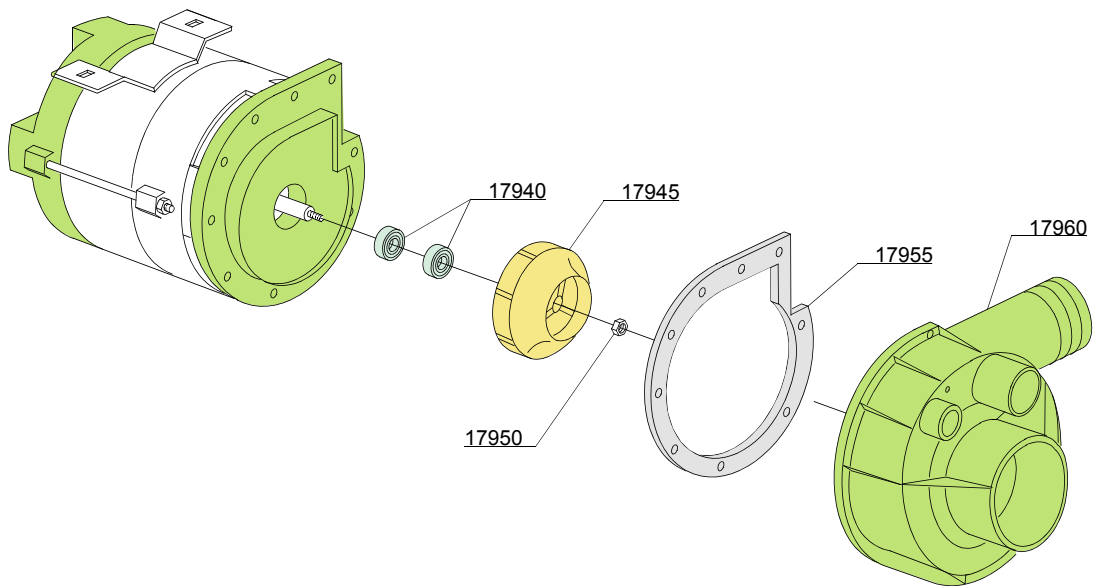
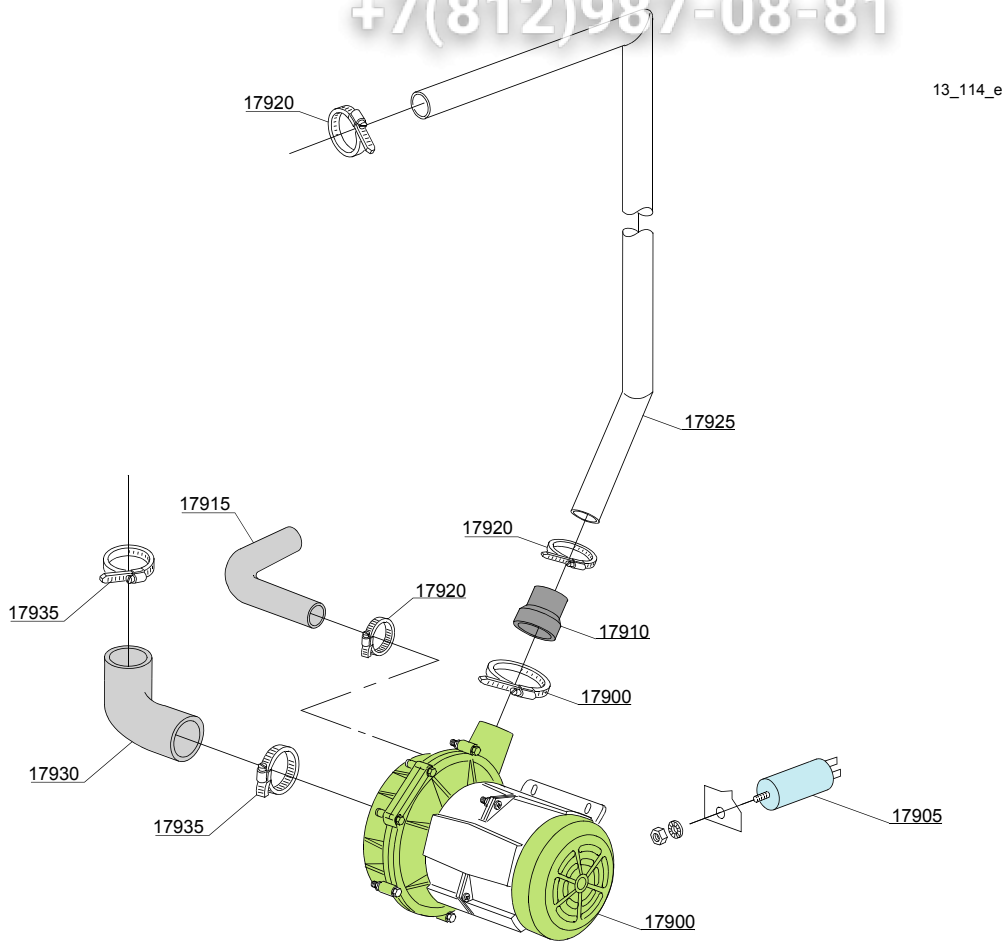
38U=38U

bp=BOOSTER PUMP, dvgw=DVGW, ws=WATER SOFTNER, dd=DETERGENT DISPENSER, dp=DRAIN PUMP

A=3/N/PE~380-400V 50-60Hz, D=3/PE~200-210V 50-60Hz, F=2/PE~220-240V 50-60Hz, G=3/N/PE~415V 50-60Hz, H=3/PE~220-230V 50-60Hz, K=3/PE~380-400V 50-60Hz, L=3/PE~415V 50-60Hz, M=3/PE~440V 60Hz, P=1/N/PE~220-230V 50-60Hz, R=2/PE~220-240V 50-60Hz, U=1/N/PE~240V 50-60Hz, V=3/PE~240V 50-60Hz, W=1/N/PE~100-110V 50-60Hz

vsezip.ru

+7(812)987-08-81



vsezip.ru

| ID                       | P-code  | SN from | SN to | Mod. | Acces. | Volt | Description                     |
|--------------------------|---------|---------|-------|------|--------|------|---------------------------------|
| <b>Module: Wash pump</b> |         |         |       |      |        |      |                                 |
| 17900                    | 15908/D |         | -     | uw   |        | A    | 1Hp wash pump - 220/240Vac 50Hz |
| 17905                    | 15081   |         | -     | uw   |        |      | 12,5 uF condenser               |
| 17910                    | 15034   |         | -     | uw   |        |      | Reduction pipe coupling         |
| 17915                    | 15033   |         | -     | uw   |        |      | Lower wash delivery pipe        |
| 17920                    | 11806   |         | -     | uw   |        |      | 25/40 clamp (minimum 2 pieces)  |
| 17925                    | 575000  |         | -     | uw   |        |      | Top wash ramp                   |
| 17930                    | 15032/A |         | -     | uw   |        |      | Suction pipe coupling           |
| 17935                    | 11824   |         | -     | uw   |        |      | 50/70 clamp (minimum 2 pieces)  |
| 17940                    | 15080/C |         | -     | uw   |        |      | Rotating seals                  |
| 17945                    | 15079/B |         | -     | uw   |        |      | Pump rotor                      |
| 17950                    | 11724   |         | -     | uw   |        |      | M6 stainless steel nut          |
| 17955                    | 15079/D |         | -     | uw   |        |      | O-ring                          |
| 17960                    | 15031/E |         | -     | uw   |        |      | Scroll                          |

em=ELECTROMECHANICAL SWITCHES, uw=LOWER AND UPPER WASHING

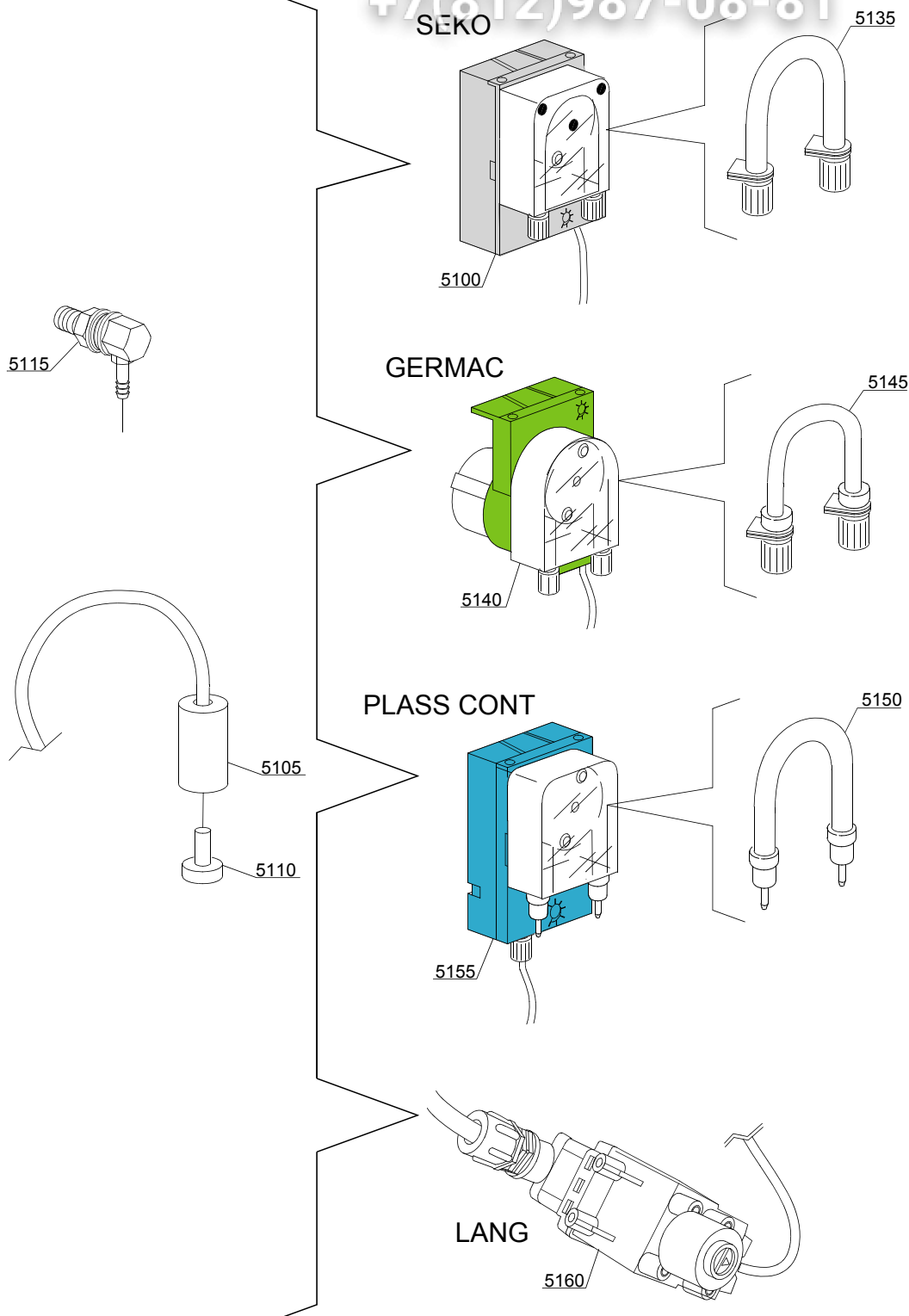
38U=38U

bp=BOOSTER PUMP, dvgw=DVGW, ws=WATER SOFTNER, dd=DETERGENT DISPENSER, dp=DRAIN PUMP

A=3/N/PE~380-400V 50-60Hz, D=3/PE~200-210V 50-60Hz, F=2/PE~220-240V 50-60Hz, G=3/N/PE~415V 50-60Hz, H=3/PE~220-230V 50-60Hz, K=3/PE~380-400V 50-60Hz, L=3/PE~415V 50-60Hz, M=3/PE~440V 60Hz, P=1/N/PE~220-230V 50-60Hz, R=2/PE~220-240V 50-60Hz, U=1/N/PE~240V 50-60Hz, V=3/PE~240V 50-60Hz, W=1/N/PE~100-110V 50-60Hz

vsezip.ru

+7(812)987-08-81



14\_004\_e

| ID                                   | P-code   | SN from | SN to | Mod. | Acces. | Volt | Description                                  |
|--------------------------------------|----------|---------|-------|------|--------|------|--|
| <b>Module:Dosing detergent group</b> |          |         |       |      |        |      |  |
| 5100                                 | 15985    |         | -     | em   | dd     |      | Seko detergent pump                          |
| 5105                                 | 12525    |         | -     | em   | dd     |      | Ballast                                      |
| 5110                                 | 15058    |         | -     | em   | dd     |      | Small filter (minimum 3 pieces)              |
| 5115                                 | 15123    |         | -     | em   | dd     |      | Compleat stainless steel injector            |
| 5125                                 | 15159    |         | -     | em   | dd     |      | OR O-ring (minimum 2 pieces)                 |
| 5130                                 | 10200205 |         | -     | em   | dd     |      | M12x1 stainless steel nut (minimum 2 pieces) |
| 5135                                 | 15185    |         | -     | em   | dd     |      | Seko thermoplastic pipe                      |
| 5140                                 | 15985    |         | -     | em   | dd     |      | Germac detergent pump                        |
| 5145                                 | 15108/E  |         | -     | em   | dd     |      | Germac thermoplastic pipe                    |
| 5150                                 | 15985/A  |         |       | em   | dd     |      | Plas Cont thermoplastic pipe                 |
| 5155                                 | 15985    |         |       | em   | dd     |      | Plas Cont detergent pump                     |
| 5160                                 | 15108/L  |         |       | em   | dd     |      | LANG detergent pump                          |

em=ELECTROMECHANICAL SWITCHES, uw=LOWER AND UPPER WASHING

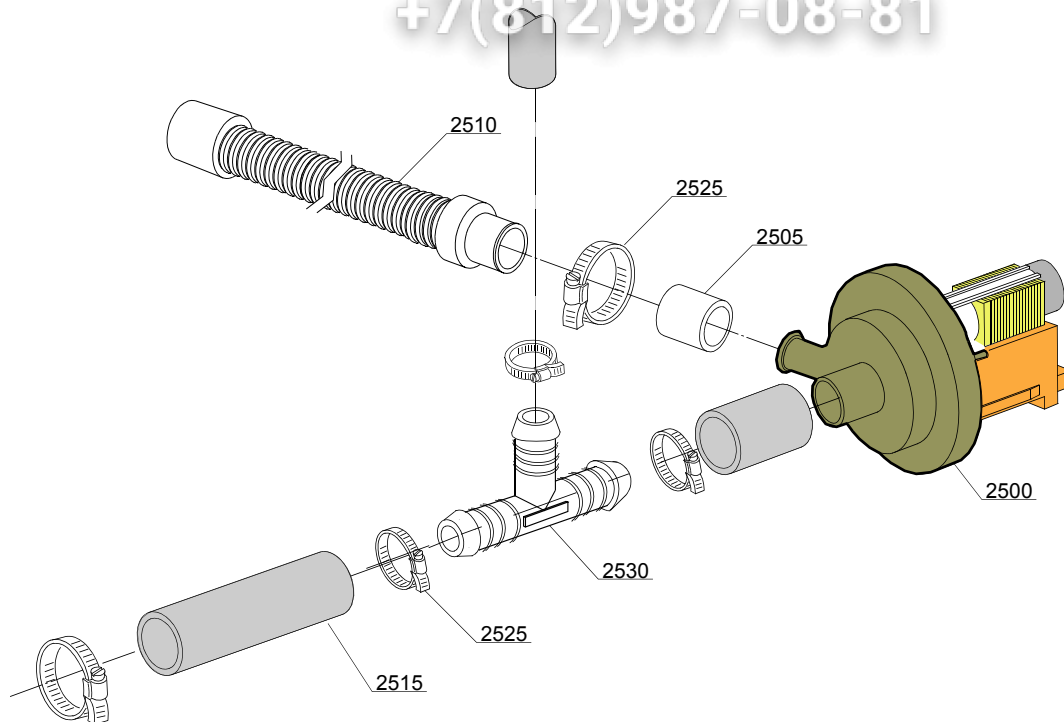
38U=38U

bp=BOOSTER PUMP, dvgw=DVGW, ws=WATER SOFTNER, dd=DETERGENT DISPENSER, dp=DRAIN PUMP

A=3/N/PE~380-400V 50-60Hz, D=3/PE~200-210V 50-60Hz, F=2/PE~220-240V 50-60Hz, G=3/N/PE~415V 50-60Hz, H=3/PE~220-230V 50-60Hz, K=3/PE~380-400V 50-60Hz, L=3/PE~415V 50-60Hz, M=3/PE~440V 60Hz, P=1/N/PE~220-230V 50-60Hz, R=2/PE~220-240V 50-60Hz, U=1/N/PE~240V 50-60Hz, V=3/PE~240V 50-60Hz, W=1/N/PE~100-110V 50-60Hz

vsezip.ru

+7(812)987-08-81



15\_004be

vsezip.ru

| ID                              | P-code  | SN from | SN to | Mod. | Acces. | Volt | Description                              |
|---------------------------------|---------|---------|-------|------|--------|------|--|
| <b>Module: Drain pump group</b> |         |         |       |      |        |      |  |
| 2500                            | 15101   |         | -     | em   | dp     |      | Drain pump 220/240V 50Hz                 |
| 2505                            | 15101/D |         | -     | em   | dp     |      | Pipe fitting (minimum 3 pieces)          |
| 2510                            | 10727   |         | -     | em   | dp     |      | Drain pipe                               |
| 2515                            | 18767   |         | -     | em   | dp     |      | Drain coude/pump connection pipe         |
| 2525                            | 11806   |         | -     | em   | dp     |      | 25/40 clamp (minimum 2 pieces)           |
| 2530                            | 540098  |         | -     | em   | dp     |      | D25 3 ways connection for BREAK TANK(bt) |

em=ELECTROMECHANICAL SWITCHES, uw=LOWER AND UPPER WASHING

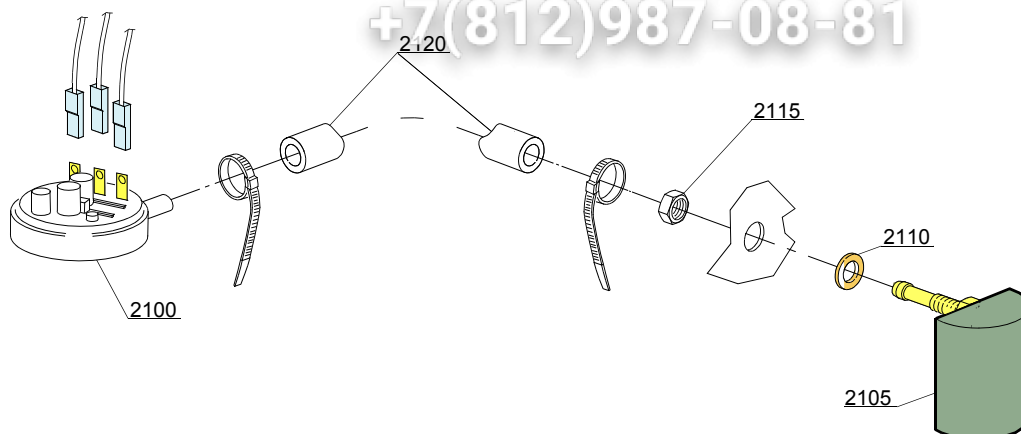
38U=38U

bp=BOOSTER PUMP, dvgw=DVGW, ws=WATER SOFTNER, dd=DETERGENT DISPENSER, dp=DRAIN PUMP

A=3/N/PE~380-400V 50-60Hz, D=3/PE~200-210V 50-60Hz, F=2/PE~220-240V 50-60Hz, G=3/N/PE~415V 50-60Hz, H=3/PE~220-230V 50-60Hz, K=3/PE~380-400V 50-60Hz, L=3/PE~415V 50-60Hz, M=3/PE~440V 60Hz, P=1/N/PE~220-230V 50-60Hz, R=2/PE~220-240V 50-60Hz, U=1/N/PE~240V 50-60Hz, V=3/PE~240V 50-60Hz, W=1/N/PE~100-110V 50-60Hz

vsezip.ru

+7(812)987-08-81



16\_001\_e



| ID   | P-code   | SN from | SN to | Mod. | Acces. | Volt | Description                                |
|--|----------|---------|-------|------|--------|------|--|
| <b>Module: Pressure switch group with air trap</b> |          |         |       |      |        |      |  |
| 2100   | 10706/A  |         | -     | em   |        |      | 47-27 pressure switch                      |
| 2105   | 135911/D | 4020618 | -     | em   |        |      | Grey air trap assembly                     |
| 2110   | 13301    |         | -     | em   |        |      | O-ring (minimum 10 pieces) - D14x8x1,5     |
| 2115   | 11702    |         | -     | em   |        |      | M8 stainless steel nut (minimum 10 pieces) |
| 2120   | 14508    |         | -     | em   |        |      | 4,5X9 EPDM rubber hose (minimum 2mt)       |

em=ELECTROMECHANICAL SWITCHES, uw=LOWER AND UPPER WASHING

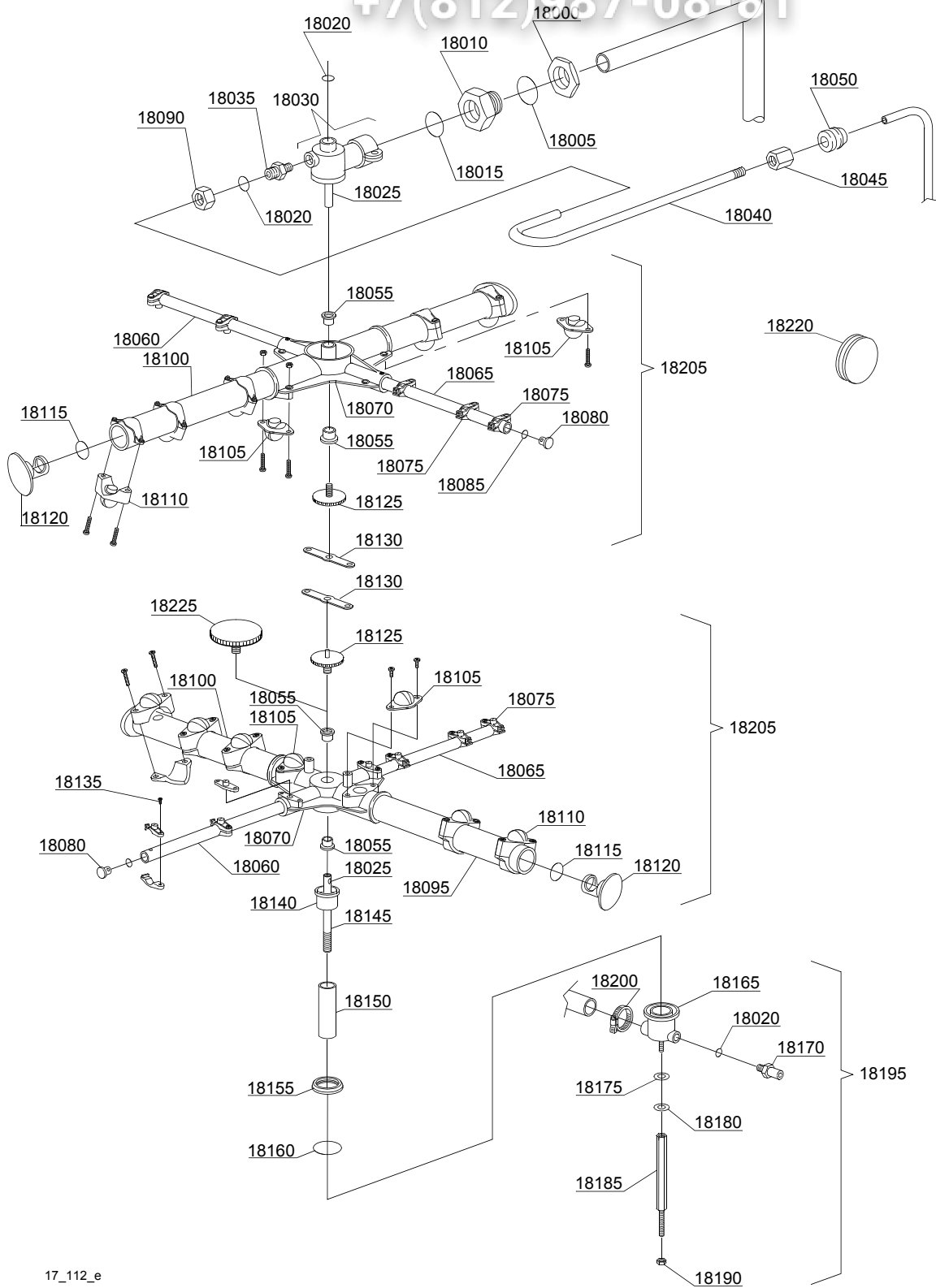
38U=38U

bp=BOOSTER PUMP, dvgw=DVGW, ws=WATER SOFTNER, dd=DETERGENT DISPENSER, dp=DRAIN PUMP

A=3/N/PE~380-400V 50-60Hz, D=3/PE~200-210V 50-60Hz, F=2/PE~220-240V 50-60Hz, G=3/N/PE~415V 50-60Hz, H=3/PE~220-230V 50-60Hz, K=3/PE~380-400V 50-60Hz, L=3/PE~415V 50-60Hz, M=3/PE~440V 60Hz, P=1/N/PE~220-230V 50-60Hz, R=2/PE~220-240V 50-60Hz, U=1/N/PE~240V 50-60Hz, V=3/PE~240V 50-60Hz, W=1/N/PE~100-110V 50-60Hz

vsezip.ru

+7(812)987-08-81



17\_112\_e

| ID  | P-code  | SN from | SN to | Mod | Acces. | Volt | Description  |
|---|---------|---------|-------|-----|--------|------|--|
| <b>Module:Turret group with rotating arms</b> |         |         |       |     |        |      |  |
| 18000   | 15042/A |         | -     | uw  |        |      | Nut  |
| 18005   | 13008   |         | -     | uw  |        |      | OR 147 NBR O-ring (minimum 5 pieces)               |
| 18010   | 15042   |         | -     | uw  |        |      | 1" 1/4 ring nut                                    |
| 18015   | 13004   |         | -     | uw  |        |      | OR 3137 NBR O-ring (minimum 3 pieces)              |
| 18020   | 13003   |         | -     | uw  |        |      | OR 112 NBR O-ring (minimum 10 pieces)              |
| 18025   | 15300   |         | -     | uw  |        |      | Ø10x51 lower/top rinse axle                        |
| 18030   | 15069/C |         | -     | uw  |        |      | Top wash/rinse distributor assembly                |
| 18035   | 12006   |         | -     | uw  |        |      | Ø10 rinse pipe fitting                             |
| 18040   | 15045   |         | -     | uw  |        |      | Top rinse ramp                                     |
| 18045   | 12526   |         | -     | uw  |        |      | Stainless steel nut coupling                       |
| 18050   | 13304   |         | -     | uw  |        |      | Pipe-pass O-ring                                   |
| 18055   | 13319   |         | -     | uw  |        |      | Sliding washer (minimum 2 pieces)                  |
| 18060   | 15575   |         | -     | uw  |        |      | Right rinse pipe                                   |
| 18065   | 15576   |         | -     | uw  |        |      | Left rinse pipe                                    |
| 18070   | 10209   |         | -     | uw  |        |      | 4 ways big rotor                                   |
| 18075   | 10262   |         | -     | uw  |        |      | Ø10 complet rinse nozzle (minimum 2 pieces)        |
| 18080   | 12532   |         | -     | uw  |        |      | Ø10 plastic plug (minimum 3 pieces)                |
| 18085   | 13016   |         | -     | uw  |        |      | 2018 OR 103 NBR O-ring (minimum 10 pieces)         |
| 18090   | 12006/A |         | -     | uw  |        |      | Ø10 pipe fitting 3/8x3,5 nut 19 hexagonal          |
| 18095   | 15571   |         | -     | uw  |        |      | Ø28 right wash pipe                                |
| 18100   | 15572   |         | -     | uw  |        |      | Ø28 left wash pipe                                 |
| 18105   | 10268   |         | -     | uw  |        |      | Ø28 opened plane nozzle (minimum 2 pieces)         |
| 18110   | 10216   |         | -     | uw  |        |      | Ø28 raised nozzle (minimum 2 pieces)               |
| 18115   | 13018   |         | -     | uw  |        |      | OR 2087 NBR O-ring (minimum 10 pieces)             |
| 18120   | 10257   |         | -     | uw  |        |      | Ø28 plastic plug (minimum 3 pieces)                |
| 18125   | 11101/I |         | -     | uw  |        |      | Stainless steel group fixing screw                 |
| 18130   | 10260   |         | -     | uw  |        |      | Blocking ring nut rotor plaque (minimum 10 pieces) |
| 18135   | 11121   |         | -     | uw  |        |      | M4x8 screw (minimum 20 pieces)                     |
| 18140   | 15040/A |         | -     | uw  |        |      | Lower wash bell-shape                              |

em=ELECTROMECHANICAL SWITCHES, uw=LOWER AND UPPER WASHING

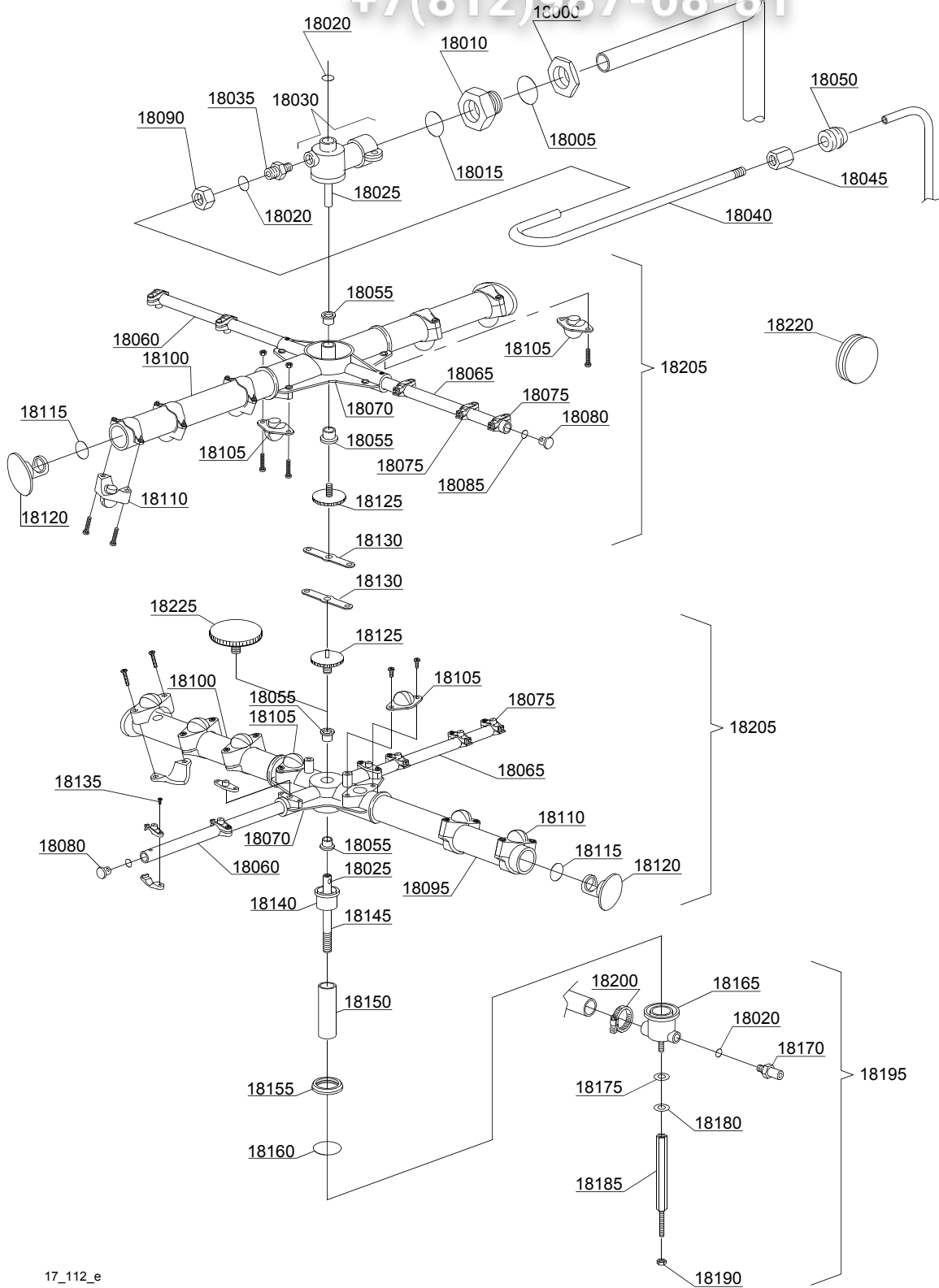
38U=38U

bp=BOOSTER PUMP, dvgw=DVGW, ws=WATER SOFTNER, dd=DETERGENT DISPENSER, dp=DRAIN PUMP

A=3/N/PE~380-400V 50-60Hz, D=3/PE~200-210V 50-60Hz, F=2/PE~220-240V 50-60Hz, G=3/N/PE~415V 50-60Hz, H=3/PE~220-230V 50-60Hz, K=3/PE~380-400V 50-60Hz, L=3/PE~415V 50-60Hz, M=3/PE~440V 60Hz, P=1/N/PE~220-230V 50-60Hz, R=2/PE~220-240V 50-60Hz, U=1/N/PE~240V 50-60Hz, V=3/PE~240V 50-60Hz, W=1/N/PE~100-110V 50-60Hz

vsezip.ru

+7(812)987-08-81



17\_112\_e

| ID   | P-code  | SN from | SN to | Mod. | Acces. | Volt | Description                                 |
|--|---------|---------|-------|------|--------|------|---|
| <b>Module: Turret group with rotating arms</b> |         |         |       |      |        |      |   |
| 18145  | 15303   |         | -     | uw   |        |      | Short lower rinse extension                 |
| 18150  | 15039/A |         | -     | uw   |        |      | Lower wash stainless steel pipe coupling    |
| 18155  | 15038   |         | -     | uw   |        |      | Ring nut connection                         |
| 18160  | 13006   |         | -     | uw   |        |      | OR 3156 O-ring (minimum 10 pieces)          |
| 18165  | 15041/A |         | -     | uw   |        |      | Grey wash/rinse lower distributor           |
| 18170  | 12506   |         | -     | uw   |        |      | Ø10 rubber-holder (minimum 2 pieces)        |
| 18175  | 13313   |         | -     | uw   |        |      | 8x24x2 O-ring (minimum 5 pieces)            |
| 18180  | 11185   |         | -     | uw   |        |      | 8x16 steel plane washer (minimum 20 pieces) |
| 18185  | 575001  |         | -     | uw   |        |      | Lower turret tie rod                        |
| 18190  | 11702   |         | -     | uw   |        |      | M8 stainless steel nut (minimum 10 pieces)  |
| 18195  | 15909   |         | -     | uw   |        |      | Lower wash water distributor                |
| 18200  | 11809   |         | -     | uw   |        |      | 30/45 clamp (minimum 2 pieces)              |
| 18205  | 15958   |         | -     | uw   |        |      | Ø28 wash/rinse group                        |
| 18210  | 10263   |         | -     | uw   |        |      | Ø10 opened plane nozzle (minimum 2 pieces)  |
| 18215  | 10267   |         | -     | uw   |        |      | Ø10 closed plane nozzle (minimum 2 pieces)  |
| 18220  | 13316/A |         | -     | uw   |        |      | DVGW hole O-ring                            |
| 18225  | 11101/M |         | -     | uw   |        |      | Fixing handle for rotor                     |

em=ELECTROMECHANICAL SWITCHES, uw=LOWER AND UPPER WASHING

38U=38U

bp=BOOSTER PUMP, dvgw=DVGW, ws=WATER SOFTNER, dd=DETERGENT DISPENSER, dp=DRAIN PUMP  
 A=3/N/PE~380-400V 50-60Hz, D=3/PE~200-210V 50-60Hz, F=2/PE~220-240V 50-60Hz, G=3/N/PE~415V 50-60Hz,  
 H=3/PE~220-230V 50-60Hz, K=3/PE~380-400V 50-60Hz, L=3/PE~415V 50-60Hz, M=3/PE~440V 60Hz, P=1/N/PE~220-  
 230V 50-60Hz, R=2/PE~220-240V 50-60Hz, U=1/N/PE~240V 50-60Hz, V=3/PE~240V 50-60Hz, W=1/N/PE~100-110V  
 50-60Hz