

Зип Ощепит

vsezip.ru

+7(812)987-08-81

HOOD TYPE MACHINE

INSULATED DOUBLE WALLED CAPOTE
ELECTROMECHANICAL SWITCHES
ELECTRONIC SWITCHES VERSION

TYPE: 37U

Accessories

CAPOTE "LIFT" LIFTING SYSTEM

BREAK TANK

BOOSTER PUMP

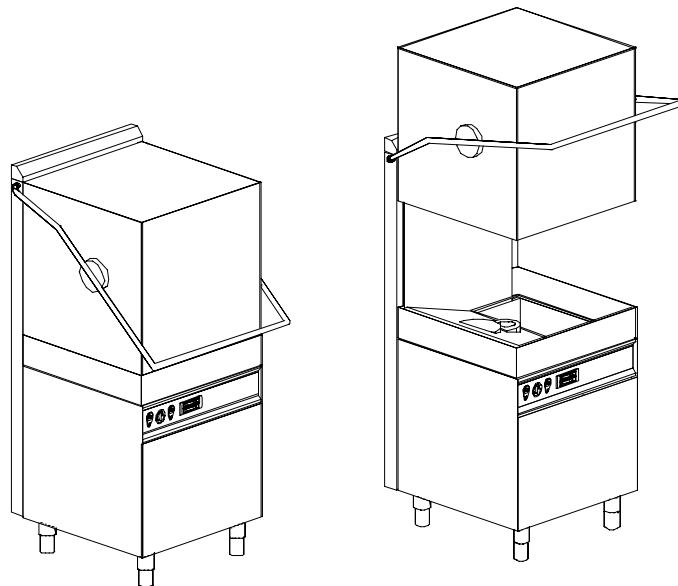
DVGW

WATER SOFTNER

DETERGENT DISPENSER

DRAIN PUMP

Spare parts manual



Зип Общепит

vsezip.ru

+7(812)987-08-81

vsezip.ru

+7(812)987-08-81

1. Spare parts

General body parts.....	7
Closing panelig.....	9
Capote LIFT lifting system.....	11
Control electric components.....	13
Control electric components.....	15
Solenoid valve group	17
Solenoid valve group	19
Break Tank	21
Booster pump.....	23
DVGW	25
Water softner group.....	27
Shining product dosing device group .	29
Boiler group	31
Derivation group	33
Wash pump group.....	35
Dosing device group	37

Dosing device group.....39

Drain pump group.....41

Pressure switch group with air trap ...43

Turret group with rotating arms45

1.1 Voltage codes

Voltage code	Voltage
A	3/N/PE~400/230V 50Hz
B	~250V 16A 50Hz
C	3/N/PE~380/220V 50Hz
D	3/PE~200V 50-60Hz
F	2/PE 220-240V 50Hz
G	3/N/PE~415/240V 50Hz
H	3/PE~230V 50Hz
I	3/PE~220V 60Hz
J	3/PE~380 50Hz
K	3/PE~400V 50Hz
L	3/PE~415V 50Hz
M	3/PE~440V 60Hz
N	3/PE~460V 60Hz
O	3/PE~480V 60Hz
P	1/N/PE~220-240V 50Hz
R	2/PE~220-230V 60Hz
S	3/N/PE~400/230V 50Hz
T	3/PE~230V 60Hz

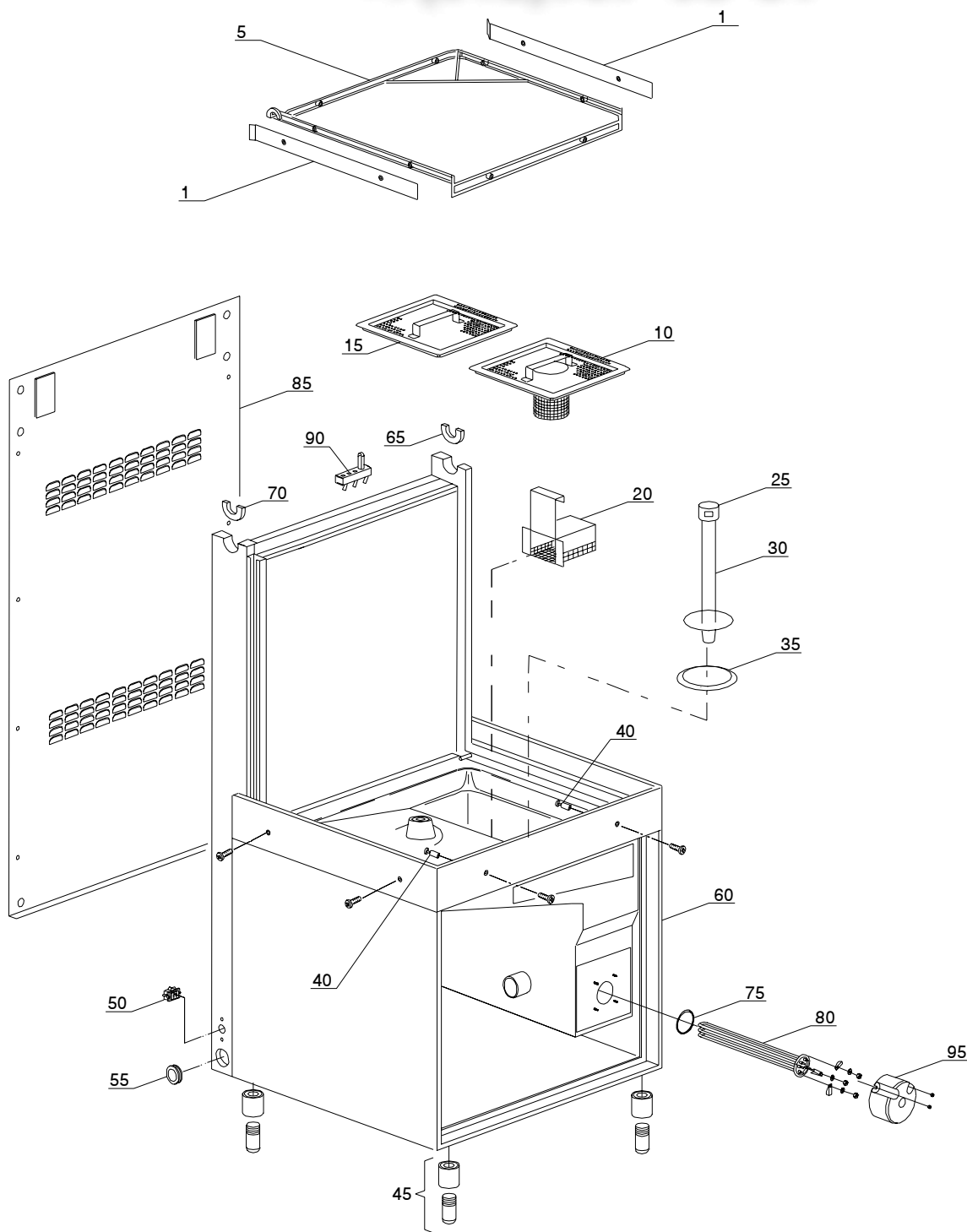
1.2 Product codes

Product code	Full name
Model codes	
is	INSULATED DOUBLE WALLED CAPOTE
em	ELECTROMECHANICAL SWITCHES
e	ELECTRONIC SWITCHES VERSION
Type codes	
37U	37U
Accessory codes	
lift	CAPOTE "LIFT" LIFTING SYSTEM
bt	BREAK TANK
pap	BOOSTER PUMP
dvgw	DVGW
d	WATER SOFTNER
dde	DETERGENT DISPENSER
ps	DRAIN PUMP

vsezip.ru

+7(812)987-08-81

01_004_e

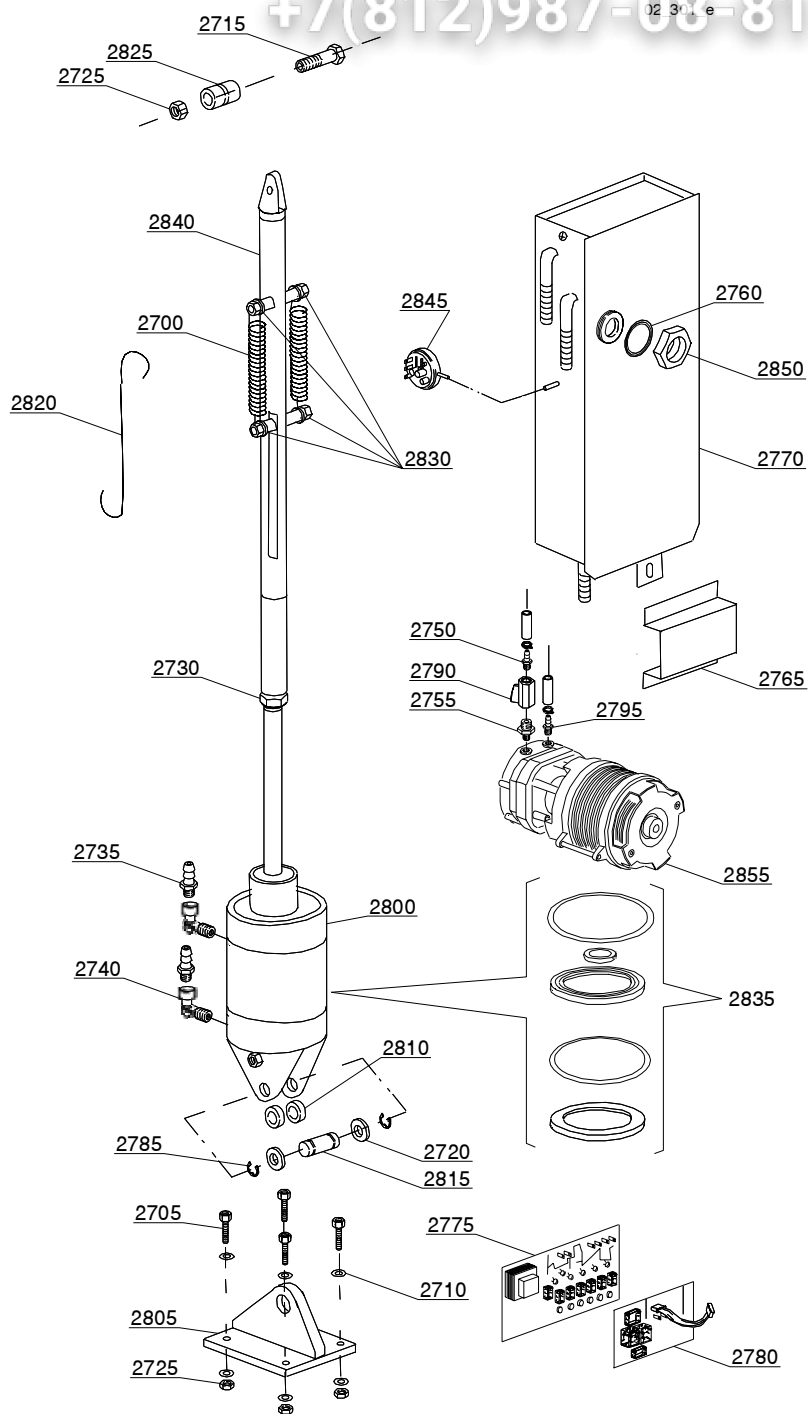


vsezip.ru

ID	P-code	Model	Type	Accessory	Voltage	Description
MODULE:Closing panelig						
150	11600913		37U			Spoiler
155	11600910		37U			Grip
160	89919		37U			Wheel for basket
165	11214		37U			Screw
170	11600015		37U			Roller spacer
175	11600014		37U			Roller tie rod
180	11718		37U			M8 stainless steel self-locking nut
185	11600902		37U			Capote
190	11600013		37U			Union grip/levers tie rod
195	11823		37U			Ø10 stainless steel snap ring
200	11600038		37U			Spring bush
205	10800010		37U			Lever bearing
210	11600026		37U			Right lever
215	11600027		37U			Left lever
220	11600030		37U			Capote movement cam
225	11110		37U			M8x35 TE stainless steel screw
230	13301		37U			Gasket
235	70302		37U			Back spring
240	10800210		37U			Tie rod screw with hook
245	11600616		37U			Lower door panel
250	11600028		37U			Capote right sliding guide
255	11600029		37U			Capote left sliding guide

vsezip.ru

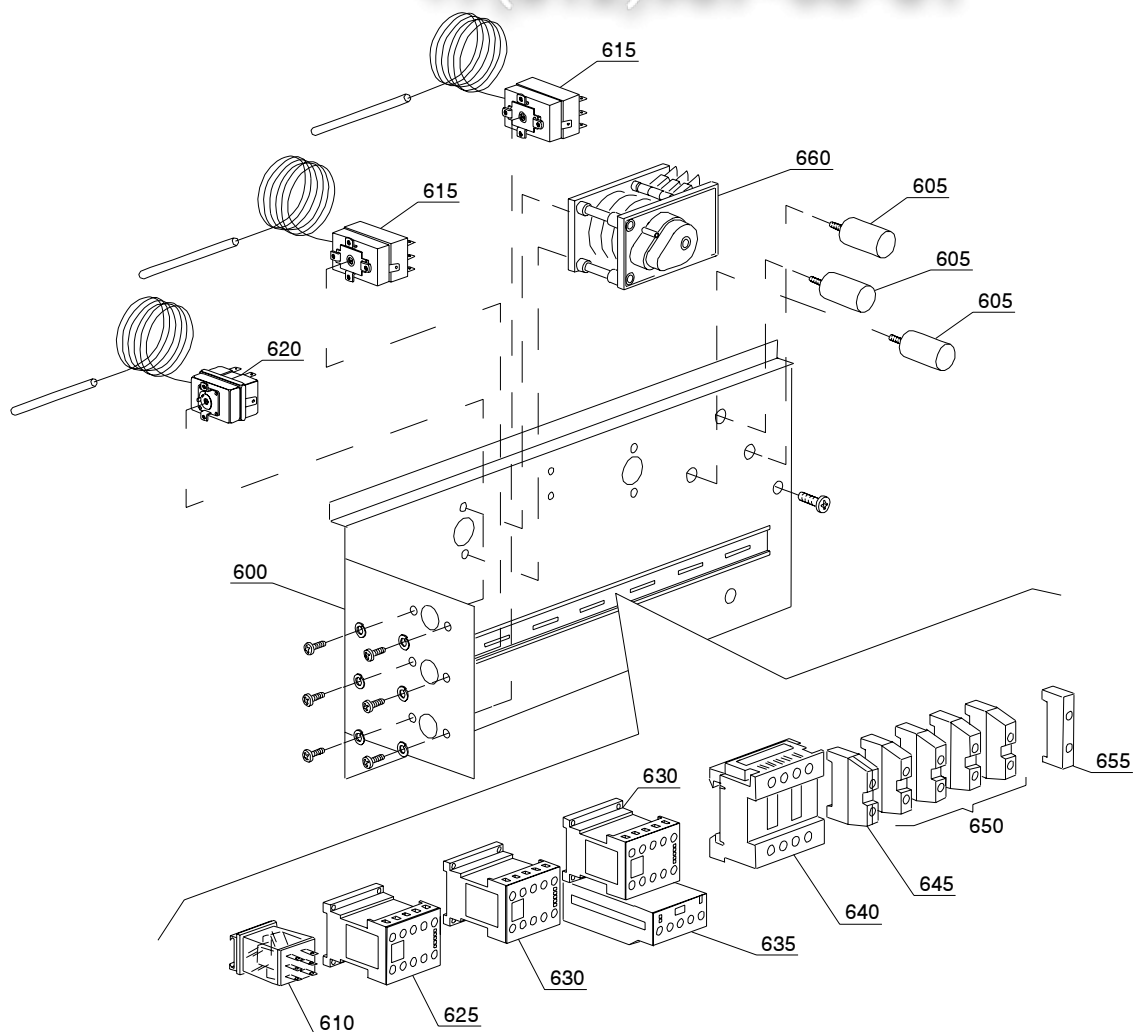
+7(812)987-08-81



vsezip.ru

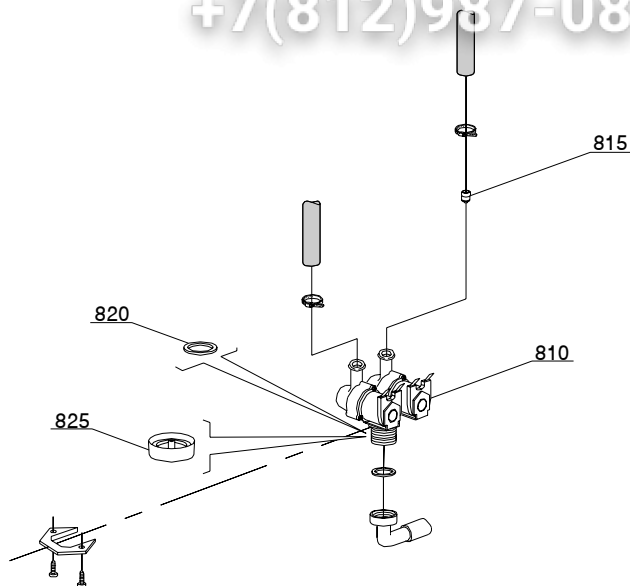
+7(812)987-08-81

04_005_e



vsezip.ru

+7(812)987-08-81



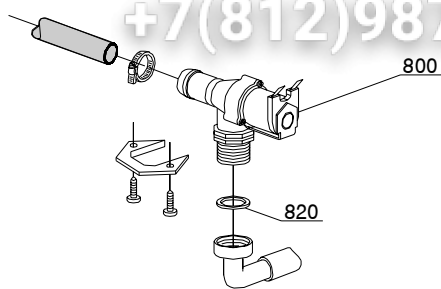
05_003_e

vsezip.ru

ID	P-code	Model	Type	Accessory	Voltage	Description
MODULE:Solenoid valve group						
810	15098		37U	cr,ws		Double solenoid valve - Ø10
810	30001001		37U	lift		Double solenoid valve - Ø12
815	15115		37U	cr,ws		Green pression solenoid valve
820	N.C.		37U	cr,ws		Pression reducing valve

vsezip.ru

+7(812)987-08-81



05_005_e

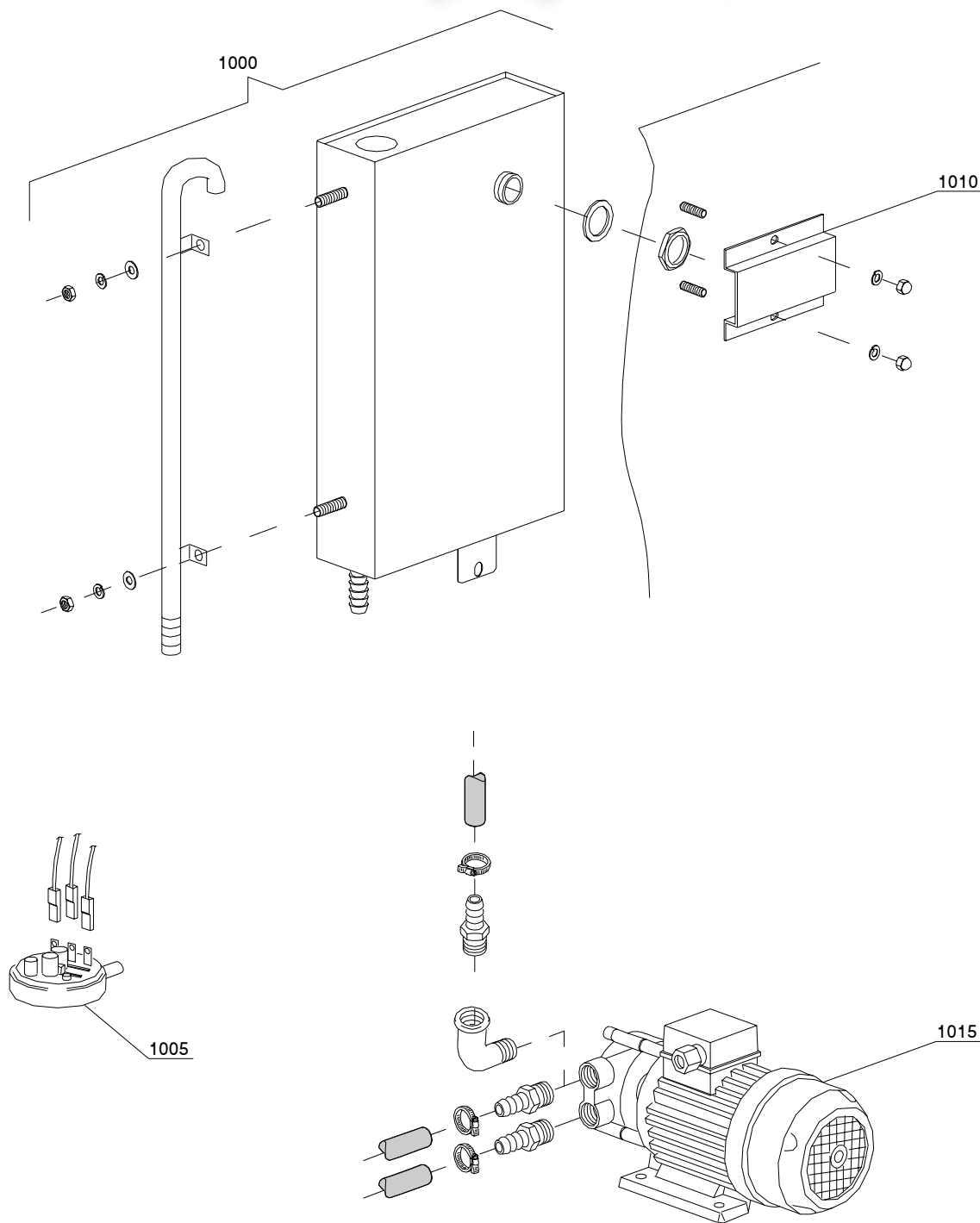
vsezip.ru

ID	P-code	Model	Type	Accessory	Voltage	Description
MODULE:Solenoid valve group						
800	30001000		37U			Single solenoid valve
820	N.C.		37U			Pression reducing valve

vsezip.ru

+7(812)987-08-81

06_001_e

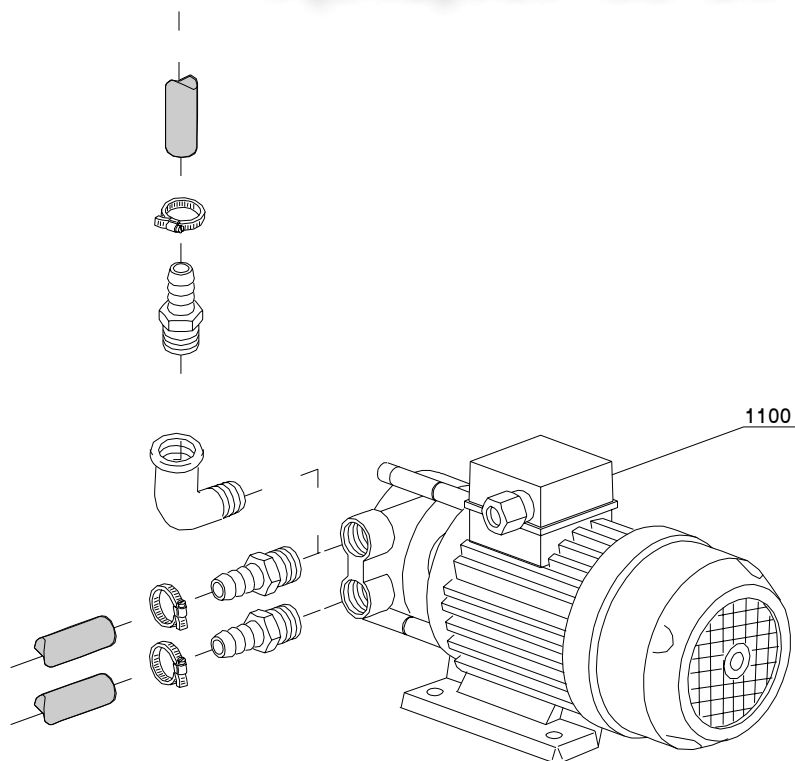


vsezip.ru

ID	P-code	Model	Type	Accessory	Voltage	Description
MODULE:Break Tank						
1000	15735		37U	bt		Break tank assembly
1005	10706/A		37U	bt		47-27 pressure switch
1010	15738		37U	bt		Hole protection
1015	15100		37U	bt		Booster pump

vsezip.ru

+7(812)987-08-81 07_002_e

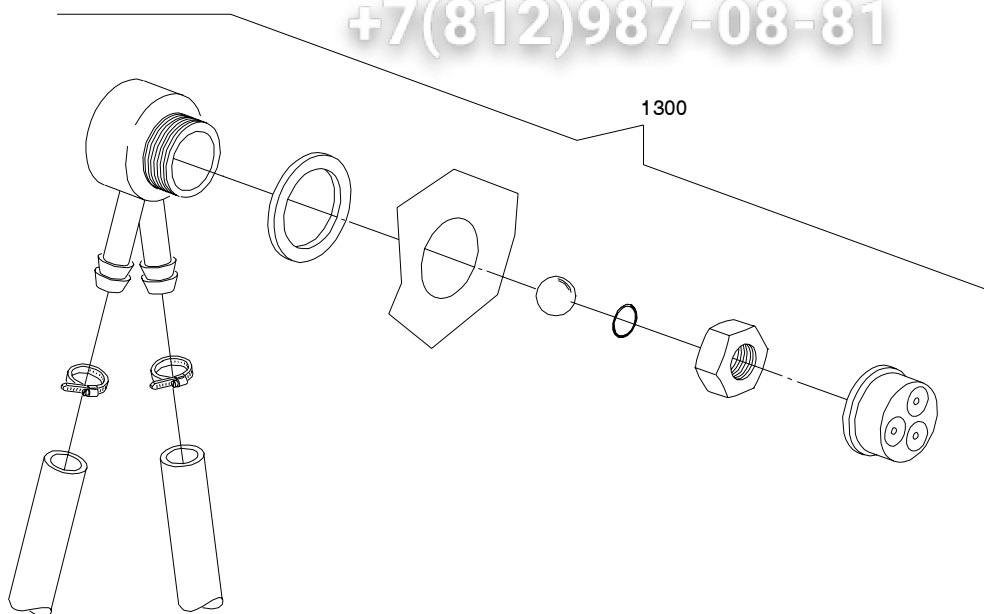


vsezip.ru

ID	P-code	Model	Type	Accessory	Voltage	Description
MODULE:Booster pump						
1100	15100		37U	bp		Booster pump

vsezip.ru

+7(812)987-08-81

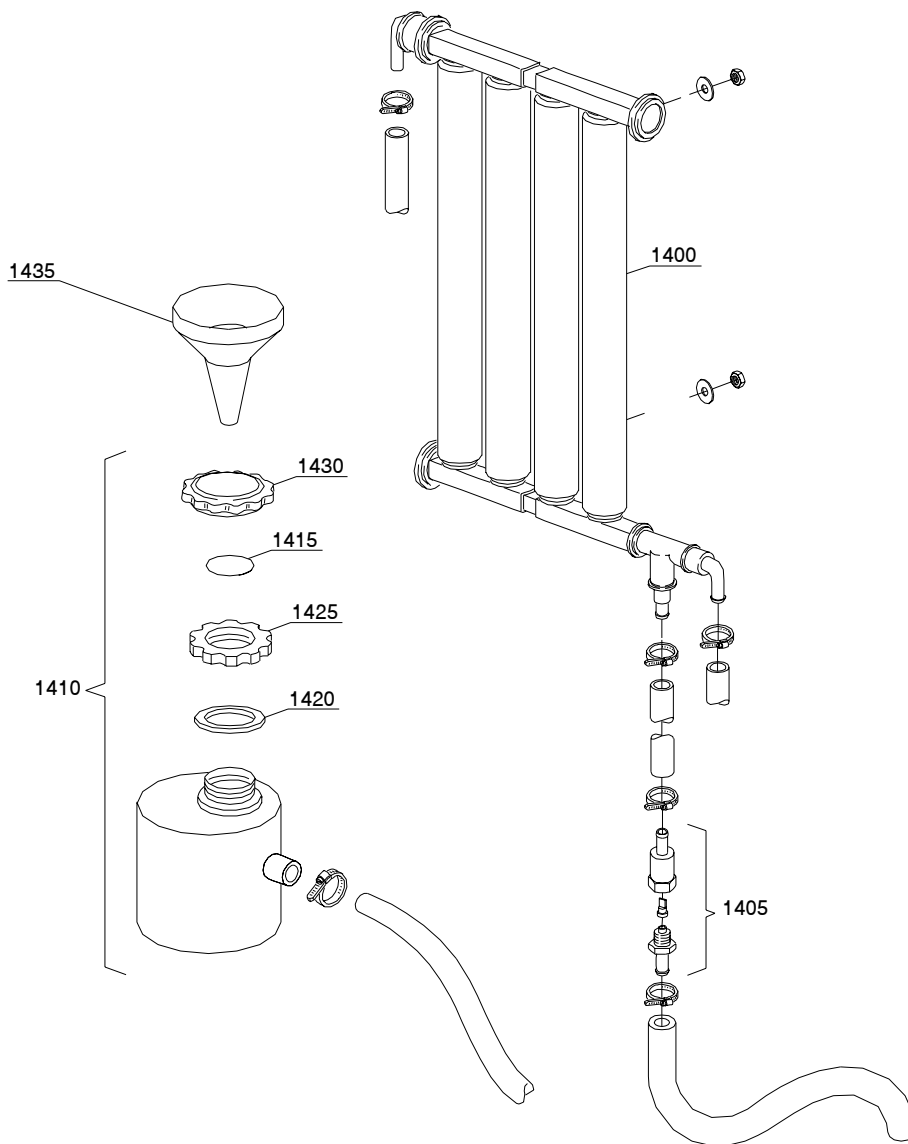


08_005_e

vsezip.ru

ID	P-code	Model	Type	Accessory	Voltage	Description
MODULE:DVGW						
1300	999900006		37U	dvgw		DVGW assembly

09_001_e

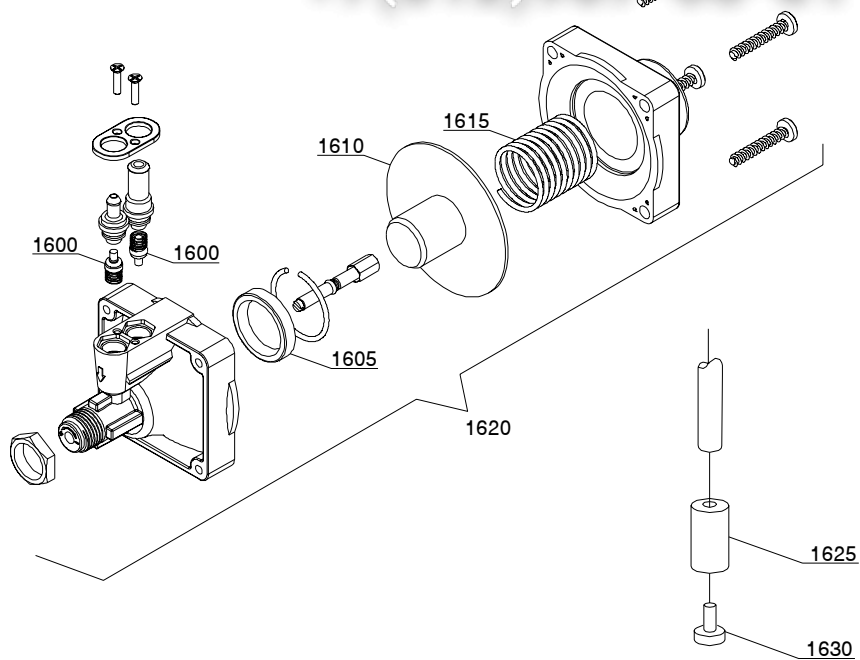


vsezip.ru

ID	P-code	Model	Type	Accessory	Voltage	Description
MODULE:Water softner group						
1400	16066		37U	ws		4 elements water softner
1405	16070		37U	ws		Nonreturn valve
1410	16065		37U	ws		Salt container
1415	16067/A		37U	ws		OR gasket
1420	16067/B		37U	ws		Gasket
1425	16067/C		37U	ws		Ring nut
1430	16067/D		37U	ws		Plug
1435	16082		37U	ws		Funnel

vsezip.ru

+7(812)987-08-81



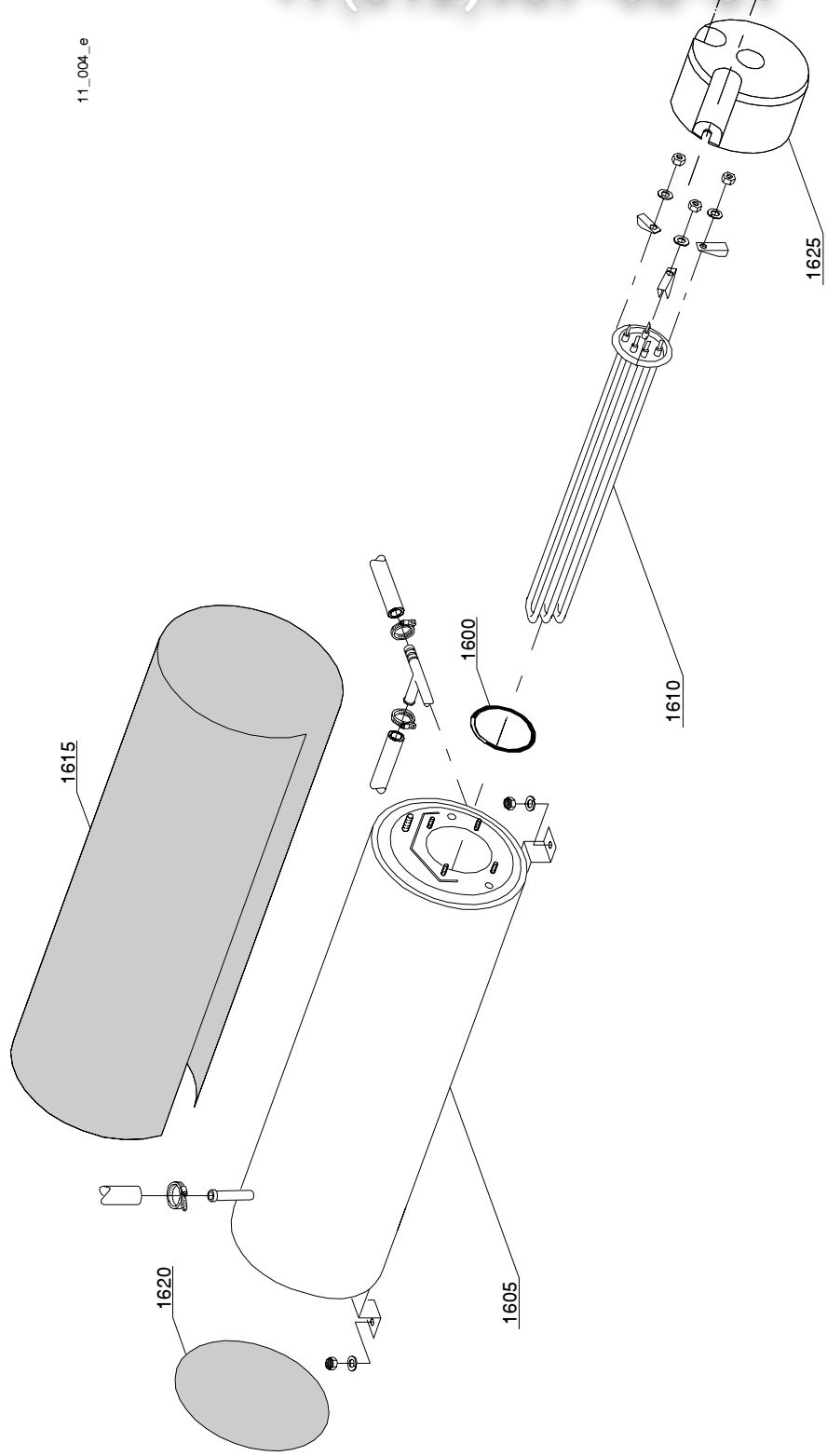
10_003_e

vsezip.ru

ID	P-code	Model	Type	Accessory	Voltage	Description
MODULE:Shining product dosing device group						
1600	10805		37U			Tecno pro dosing valve
1605	10806		37U			Ø22 gasket
1610	10807		37U			Membrane
1615	10808		37U			Spring
1620	10599999		37U			Shining product dosing device
1625	12525		37U			Counter-weight
1630	15058		37U			Small filter

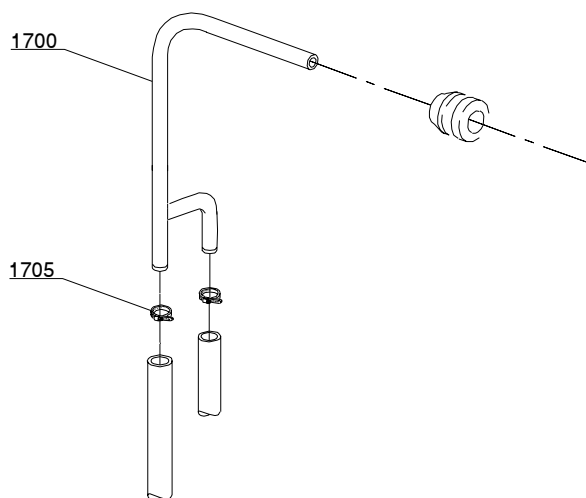
vsezip.ru

+7(812)987-08-81



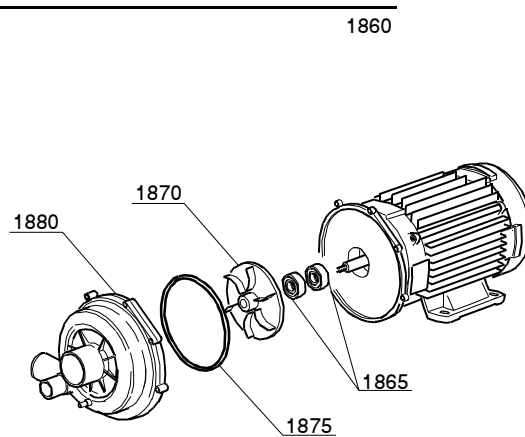
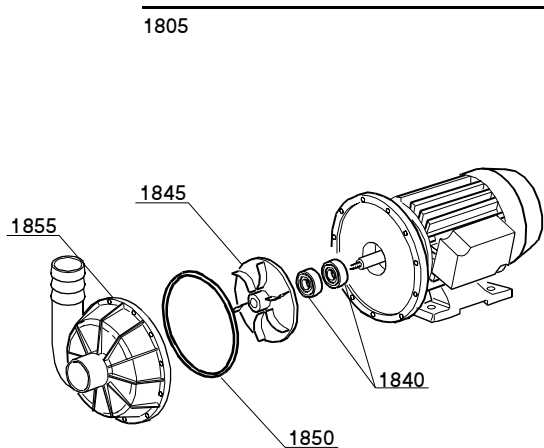
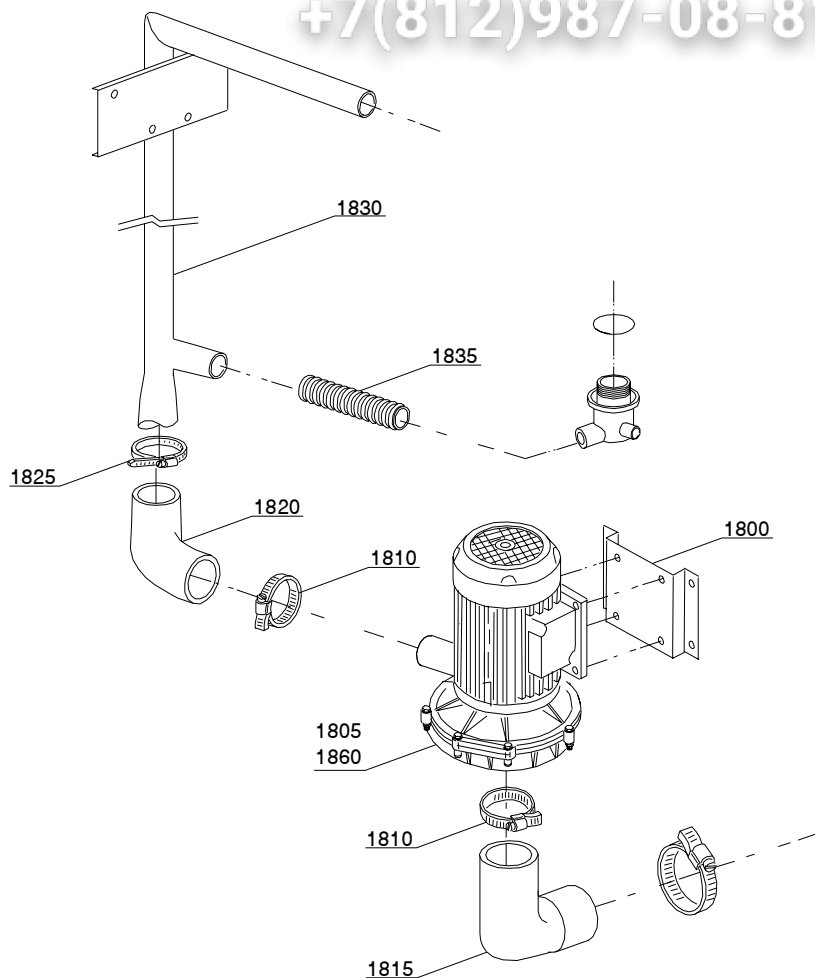
vsezip.ru

+7(812)987-08-81 12_007_€



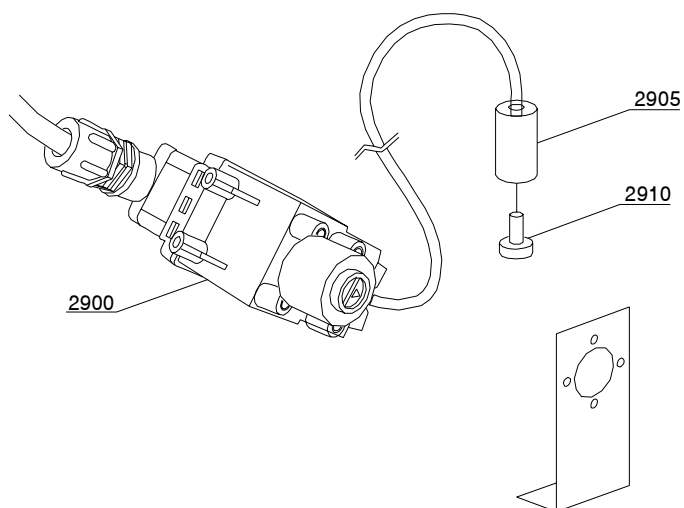
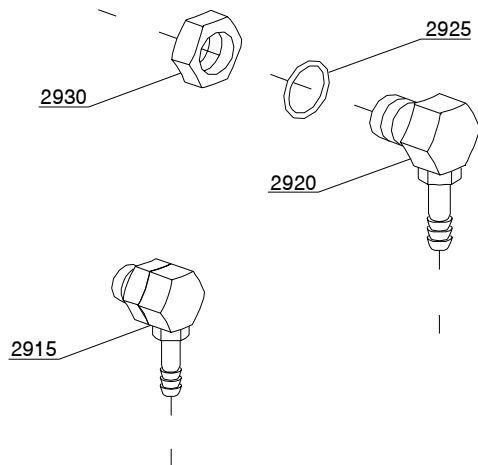
vsezip.ru

ID	P-code	Model	Type	Accessory	Voltage	Description
MODULE:Derivation group						
1700	15045/B		37U			3 ways derivation
1705	11807		37U			12/22 clamp



vsezip.ru

+7(812)987-08-81 14_002_e

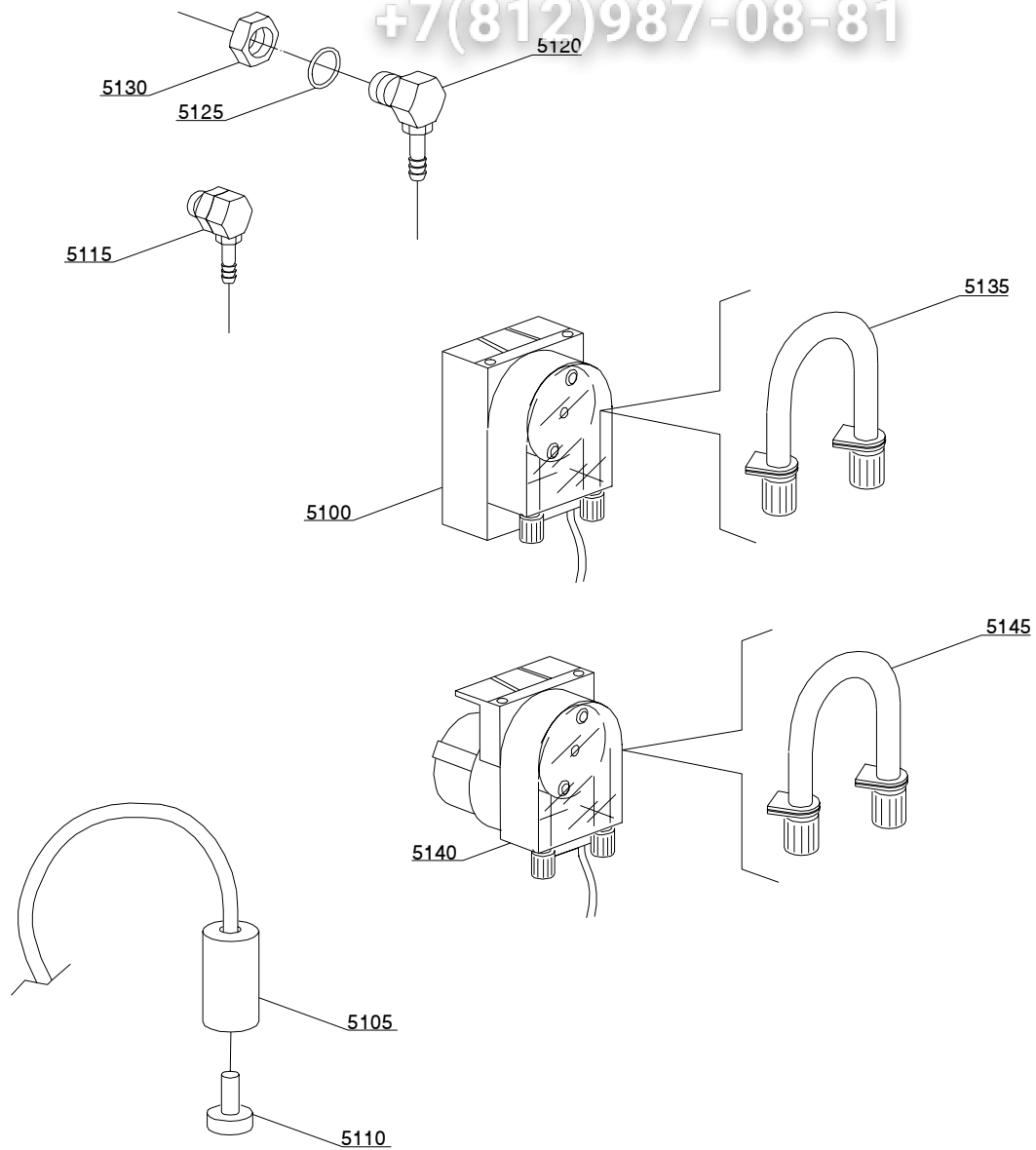


vsezip.ru

ID	P-code	Model	Type	Accessory	Voltage	Description
MODULE:Dosing device group						
2900	15108/L		37U	dd		Lang dosing device
2905	12525		37U	dd		Counter-weight
2910	15058		37U	dd		Small filter
2920	15148		37U	dd		Steel injector
2925	15159		37U	dd		OR gasket
2930	10200205		37U	dd		M12x1 stainless steel nut

vsezip.ru

+7(812)987-08-81

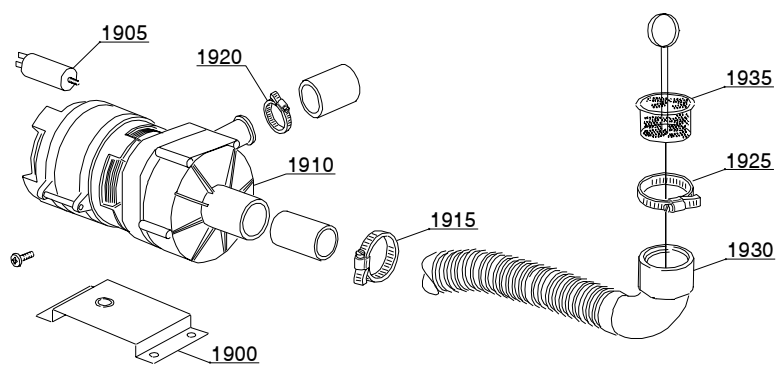


14_004_e

vsezip.ru

ID	P-code	Model	Type	Accessory	Voltage	Description
MODULE:Dosing device group						
5100	15985		37U	dd		Seko dosing device
5105	12525		37U	dd		Counter-weight
5110	15058		37U	dd		Small filter
5120	15148		37U	dd		Steel injector
5125	15159		37U	dd		OR gasket
5130	10200205		37U	dd		M12x1 stainless steel nut
5135	15185		37U	dd		Seko thermoplastic pipe
5140	15985		37U	dd		Germac dosing device
5145	15108/E		37U	dd		Germac thermoplastic pipe

15_003_e

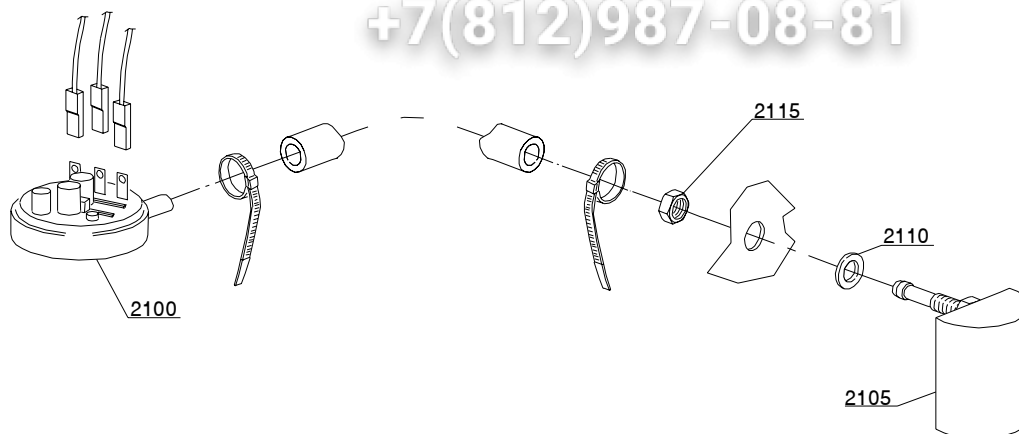


vsezip.ru

ID	P-code	Model	Type	Accessory	Voltage	Description
MODULE: Drain pump group						
1900	440122		37U	dp		Pump support
1905	10702		37U	dp		5 uF condenser
1910	10501/A		37U	dp		Drain pump
1915	11806		37U	dp		25/40 clamp
1920	11836		37U	dp		20/32 clamp
1925	11809		37U	dp		30/45 clamp
1930	15131		37U	dp		Suction pipe
1935	10200039		37U	dp		Flow drain filter
1945	11600050		37U	dp		Suction pipe

vsezip.ru

+7(812)987-08-81



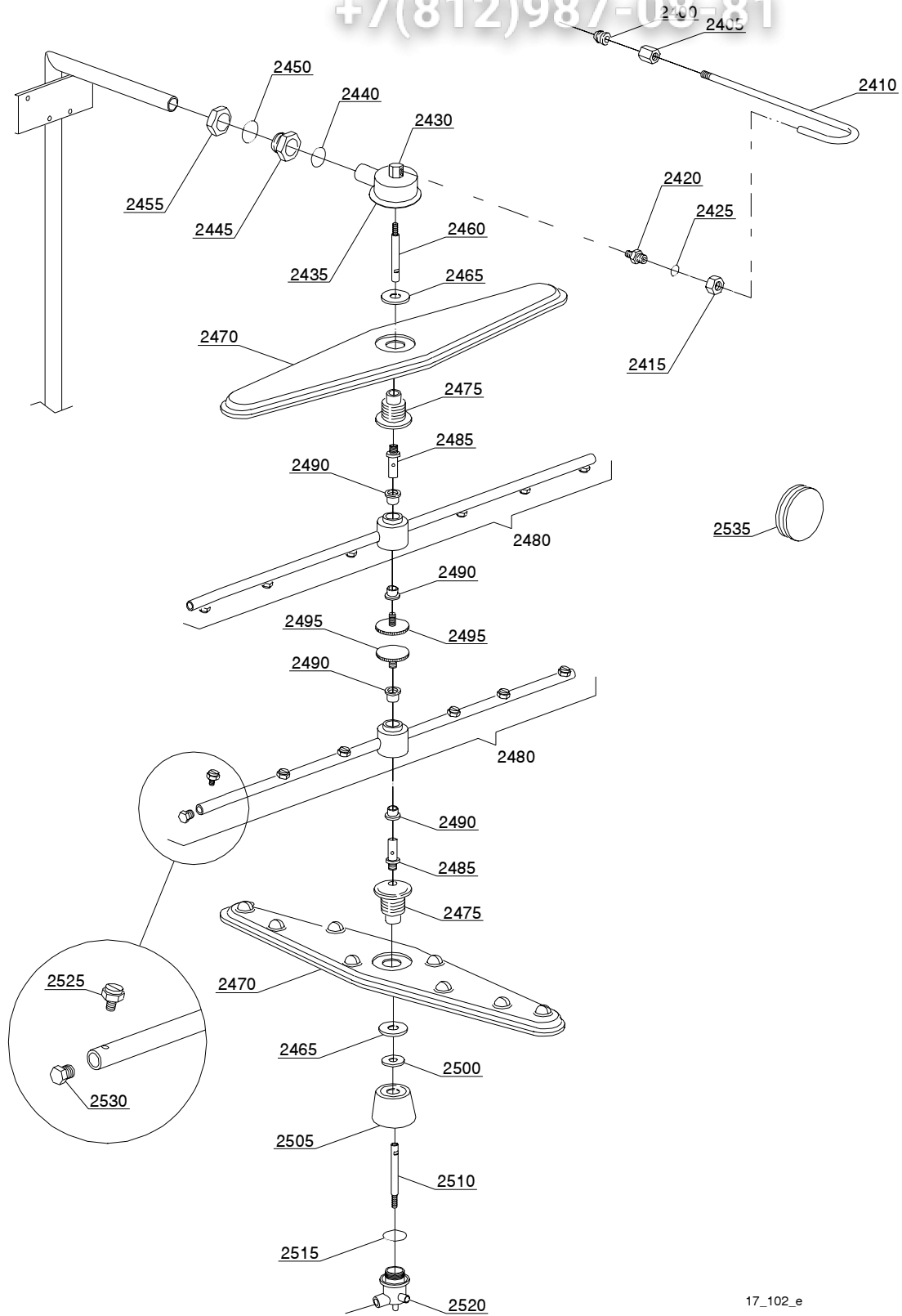
16_001_e

vsezip.ru

ID	P-code	Model	Type	Accessory	Voltage	Description
MODULE:Pressure switch group with air trap						
2100	88110		37U			260-30 pressure switch
2105	10911/B		37U			Air trap assembly
2110	13301		37U			Gasket
2115	11702		37U			M8 stainless steel nut

vsezip.ru

+7(812)987-08-81



17_102_e

