

Зип Общепит

vsezip.ru

+7(812)987-08-81

# RACK CONVEYOR MACHINE

ELECTROMECHANICAL SWITCHES

LOWER AND UPPER WASHER

TYPE: 34HS

Accessories

STEAM CONDENSER - LC 81

CONVEYOR SPEED ADJUSTING - LC 101

90°MOTORIZED CHAIN CONVEYOR - LC 97/2

180°MOTORIZED CHAIN CONVEYOR - LC 97/3

DRYER WITH 90° MOTORIZED CHAIN CONVEYOR - LC 97/4

DRYER WITH 180° MOTORIZED CHAIN CONVEYOR - LC 97/5

DRYER - LC 80

ADDITIONAL BOILER FOR COLD WATER SUPPLY

DVGW VALVE SYSTEM

WATER FLOW ADJUSTING

SPLASH ZONE WITH CILINDER - LC 84

SPLASH ZONE - LC 83

TANK INSULATION

DOUBLE SKIN

BOOSTER PUMP

DISPENSER SYSTEM SDN-3

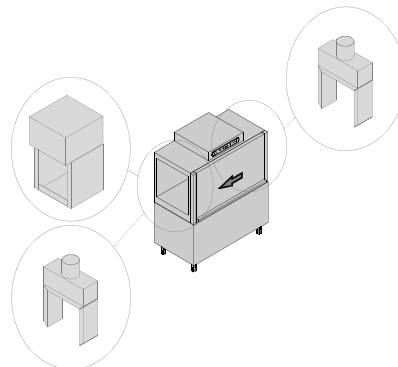
ANGLE LOADING TABLE - LC 98

RINSE ECONOMIZER SYSTEM

---

## Spare parts Manual

---



**INFORMAZIONI GENERALI**

Questo catalogo serve per richiedere con esattezza le parti di ricambio

Nelle ordinazioni indicare:

1) il numero dei codici dei particolari seguito dalla descrizione e la quantità desiderata;

2) Il codice alfa-numerico presente nella seconda colonna della tabella ;

**I disegni delle parti di ricambio sono solo indicativi e non rappresentano il pezzo in oggetto.**

**I dati contenuti in questo catalogo sono indicativi e possono essere soggetti a modifiche senza impegno di preavviso.**

**ALLGEMEINE INFORMATIONEN**

Dieser Ersatzteilkatalog dient zur genauen Angabe der Teile bei Ersatzteilbestellungen.

Bei Ersatzbestellung ist folgendes anzugeben:

1) Die Bestellnummer der Ersatzteile mit der entsprechenden Beschreibung genaue Menge;

2) Der alpha-numerischer Code auf der zweiten Reihe in dein Sculd;

**Die Zeichnungen der Ersatzteile sind nur als Hinweise gedacht und stellen nicht das betroffene Teil dar.**

**Bei den im Katalog angeführten Daten handelt es sich um Anhaltsdaten, die jederzeit, ohne Vorankündigung, geändert werden können.**

**GENERAL INFORMATION**

The present spare parts order exactly the right spare parts

When ordering specify:

1) the part's code number followed by its description and quantity needed;

2) The alpha-numeric code is in the second column in the chart;

**Spare parts drawings are general and do not represent the part.**

**The contents of this catalogue are general and can undergo changes without prior notice.**

**INFORMACIONES GENERALES**

El presente catálogo sirve para pedir con exactitud las partes de repuesto

En los pedidos se debe indicar:

1) el número de código de la parte y a continuación la descripción cantidad deseada;

2) El código alfanumerico presente en la segnada columna de la tabla;

**Los diseños de las partes de recambio son solo indicativos y no representan la pieza en cuestión.**

**Los datos contenidos en el presente catálogo son indicativos y pueden modificarse sin aviso previo.**

**INFORMATIONS GENERALES**

Ce catalogue permet de commander correctement les pièces détachées

Les commandes doivent être passées en indiquant:

1) le numero de code des pièces détachées suivi de leur description quantité désirée;

2) le code alphanumérique dans la deuxième colonne du tableau;

**Les plans des pièces détachées sont fournis seulement à titre indicatif et ne représentent pas la pièce concernée.**

**Les données de ce catalogue sont citées seulement à titre indicatif et peuvent être l'objet de modifications sans avis préalable.**

**ESEMPIO  
EXAMPLE  
EXEMPLE  
BEISPIEL**

| Rif.               | Codici  |
|--------------------|---------|
| MODULE:Particolari |         |
| 10505              | 540903  |
| 10510              | 540908  |
| 10515              | 15065/A |
| 10520              | 540086  |
| 10525              | 540028  |



**Note**

Tutte le informazioni riportate si intendono aggiornate alla data di stampa. Il Produttore si riserva il diritto di apportare qualsiasi modifica richiesta dallo sviluppo evolutivo dei suddetti prodotti.

Per la sicurezza, la garanzia, l'affidabilità ed il valore della lavastoviglie usa solo ricambi originali. **Per alcuni codici, sono richieste quantità minime d'ordine.**



**Attenzione**

Questo libretto è parte integrante della lavastoviglie e, in caso di passaggio di proprietà, deve essere consegnato al nuovo acquirente.



**Remarque**

Toutes les informations contenues dans ce manuel s'entendent mises à jour à la date d'impression. En raison du développement constant de ses produits, usine se réserve le droit d'apporter à tout instant les modifications qu'elle jugera utiles.

Pour la sécurité, la garantie, la fiabilité et la valeur de votre lavevaisselles n'utilisez que des pièces de rechange d'origine. **Pour quelque référence on demande un minimum de pièces par commande**



**Attention**

Ce manuel doit être considéré comme partie intégrante de la lavevaisselles, en cas de transfert de propriété, doit toujours être remis au nouveau propriétaire.



**Note**

The information contained herein is valid at the time of going to print. The Company reserves the right to make any changes required by the future development of the above-mentioned products.

For your safety, as well as to preserve the warranty reliability and worth of your dishwashers, use original spare parts only. **For some codes a minimum quantity for order is required.**



**Warning**

This manual forms an integral part of the dishwashers and - if a transfer of title occurs - must always be handed over to the new owner.



**Hinweis**




Die Der Hersteller behält sich das Recht vor, jegliche, durch eine Weiterentwicklung der genannten Produkte bedingte Änderungen vornehmen zu können.

Verwenden Sie für Ihre Sicherheit, die Garantie, die Zuverlässigkeit und den Wert Ihrer machine originale Ersatzteile. **Für bestimmte Code nummer werden mindesten bestellungen verlangt.**







**Achtung**

Diese Betriebsanleitung ist Bestandteil des machine und muss bei seinem Weiterverkauf dem neuen Besitzer ausgehändigt werden.

vsezip.ru  
+7(812)987-08-81

|  |  |
|--|--|
| <b>Code</b> 999XXYYYY  | <b>CL/Part</b>   |
| <b>Model DESCRIPTION</b>   |   |
| <b>S/N</b> 04012345 <b>Type</b> .....  |  |
| 400VAC3N    50HZ    8A<br>3500W                    500W<br> 16A                             | <b>TECHICAL SPECIFICATION</b>  |
| <b>IPX3</b><br>Pressione Dinamica alimentazione idrica <b>200-500</b><br>Pression dynamique arrivee d'eau<br>Dynamic pressure water supply<br>Dynamischer Druck assereinlauf | <b>MADE IN ITALY</b>   |
| Pressione dinamica vapore saturo<br>Pression dynamique vapeutur saturée<br>Dymanscher Druck gesattigter Dampf<br>Pression Dinamica Vapor Saturado                            | Temperatura massima acqua in ingresso <b>60°C</b><br>Temperature max eau a l'entre<br>Maximale Temperatur Wasseranschluß<br>Maximum Water temperature in-feeding |
| <b>Model</b>    | <b>S/N</b>   |

**CODE 999 XX YYYY**

FAMIGLIA PRODOTTO  
 FAMILY PRODUCT  
 FAMILLE DU PRODUIT  
 FAMILIA PRODUCTO  
 FAMILIE DES PRODUKTES

CODICE MODELLO  
 CODE MODEL  
 CODE ARTICLE  
 CODIGO MODELO  
 KODE VON MODELL

**S/N 04 012345**

ANNO  
 YEAR  
 ANNÉE  
 AN"O  
 JAHR

NUMERO DI SERIE  
 SERIAL NUMBER  
 NUMÉRO DI SÉRIE  
 NUMERO DI SERIE  
 SERIENNUMMER

Spare parts

---

**Зип Общепит**

**vsezip.ru**

**+7(812)987-08-81**

vsezip.ru

+7(812)987-08-81

## 1. Spare parts

|   |    |
|---|----|
| Control Panel.....  | 9  |
| Electric parts.....   | 11 |
| Electric parts.....   | 13 |
| General parts .....   | 15 |
| Economizer components .....   | 17 |
| Curtains group components .....   | 19 |
| Inverter .....  | 21 |
| Time relay .....  | 23 |
| Dryer LC80 (612kW) - part 1 [151]....   | 25 |
| Dryer LC80 - LC90 (6kW) - part 2....  | 27 |
| Dryer LC80 (6kW) - electric components...   | 29 |
| Motorized curve 90° - LC 97/2 .....   | 31 |
| Dryer motorized curve 90° - LC 97/4 .   | 33 |
| Motorized curve 90° - LC 97/2: electric parts...                                    | 35 |
| Motorized curve 90° - LC 97/2: electric parts single speed -<br>remote control..... | 37 |
| Motorized curve 180° - LC 97/3 .....  | 39 |

|  |           |
|--|-----------|
| <b>Dryer motorized curve 180° - LC 97/5...</b>   | <b>41</b> |
| <b>Motorized curve 180° - LC 97/3: electric parts...</b>                                 | <b>43</b> |
| <b>Motorized curve 180° - LC 97/3: electric parts single speed - remote control.....</b> | <b>45</b> |
| <b>Steam condenser LC81 - TR81 part 1...</b>   | <b>47</b> |
| <b>Steam condenser LC81 / TR81 - part 2...</b>   | <b>49</b> |
| <b>Steam condenser LC81 - part 3.....</b>  | <b>51</b> |
| <b>Additional boiler components .....</b>  | <b>53</b> |
| <b>Additional boiler: electrical components...</b>                                       | <b>55</b> |
| <b>DVGW valve .....</b>  | <b>57</b> |
| <b>Motorgear components .....</b>  | <b>59</b> |
| <b>Washing components 4+4 .....</b>  | <b>61</b> |
| <b>Internal components .....</b>   | <b>63</b> |
| <b>Rinsing components .....</b>  | <b>67</b> |
| <b>Boiler components .....</b>   | <b>69</b> |
| <b>Solenoid valves components .....</b>  | <b>71</b> |
| <b>Solenoid valves components .....</b>  | <b>73</b> |
| <b>Solenoid valves components with adjusting flow ...</b>                                | <b>75</b> |
| <b>Solenoid valves components .....</b>  | <b>77</b> |
| <b>Conveyor parts .....</b>  | <b>79</b> |

---

|  |           |
|--|-----------|
| <b>Splash zone with cylinder LC84 .....</b>  | <b>81</b> |
| <b>Splash zone LC83 .....</b>                | <b>83</b> |
| <b>Tank insulation .....</b>                 | <b>85</b> |
| <b>Double skin .....</b>                     | <b>87</b> |
| <b>Booster pump.....</b>                     | <b>89</b> |
| <b>Dispensers SDN-3 .....</b>                | <b>91</b> |
| <b>Angle loading table 90° - LC 98 .....</b> | <b>93</b> |
| <b>Rinse economizer system .....</b>         | <b>95</b> |
| <b>Baskets .....</b>                         | <b>97</b> |
| <b>Accessory.....</b>                        | <b>99</b> |

vsezip.ru

+7(812)987-08-81



## 1.1 Voltage codes

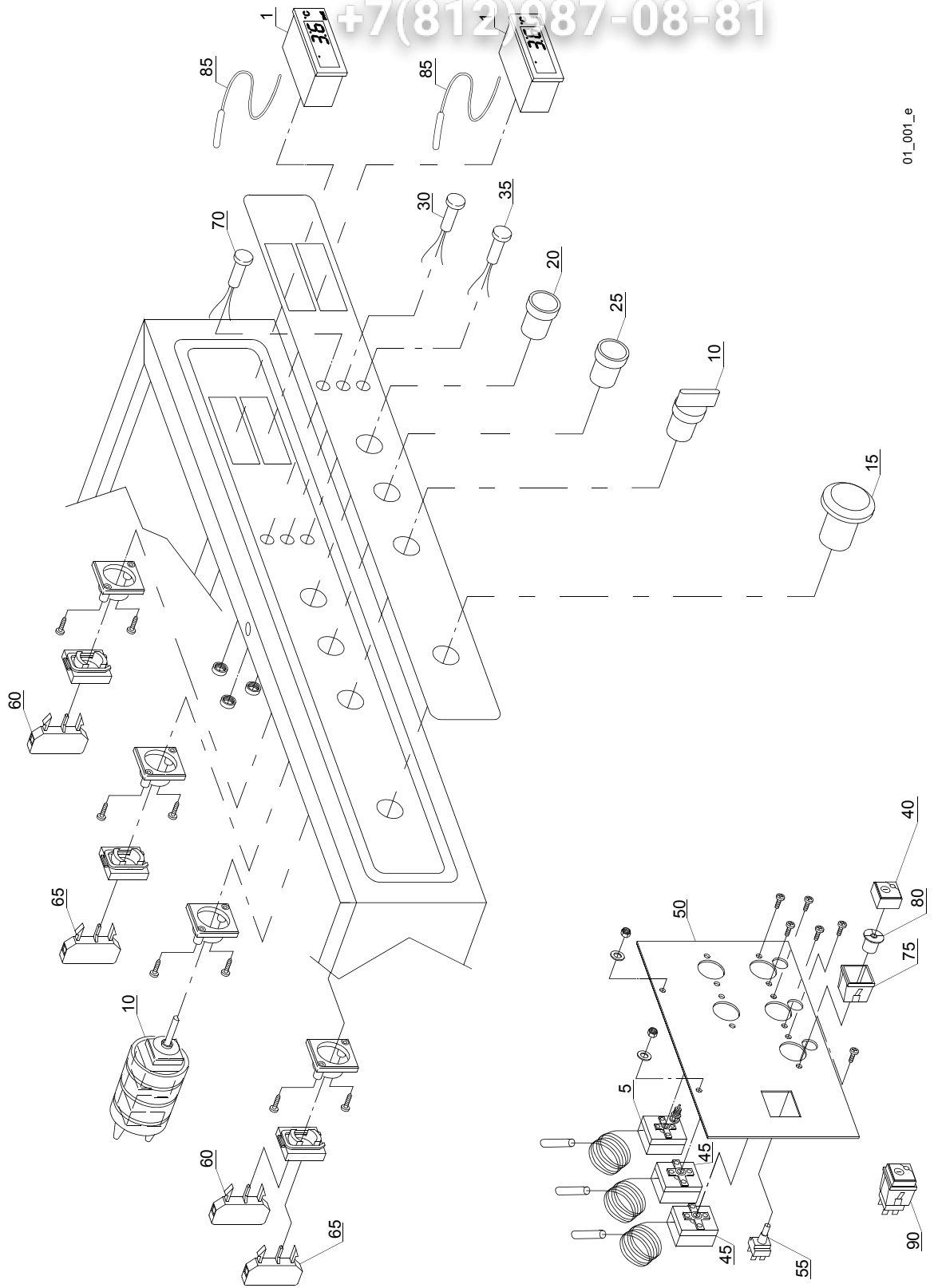
| Volt | Voltage code            |
|------|-------------------------|
| A    | 3/N/PE~380-400V 50-60Hz |
| D    | 3/PE~200-210V 50-60Hz   |
| F    | 2/PE~220-240V 50-60Hz   |
| G    | 3/N/PE~415V 50-60Hz     |
| H    | 3/PE~220-230V 50-60Hz   |
| K    | 3/PE~380-400V 50-60Hz   |
| L    | 3/PE~415V 50-60Hz       |
| M    | 3/PE~440V 60Hz          |
| P    | 1/N/PE~220-230V 50-60Hz |
| R    | 2/PE~220-240V 50-60Hz   |
| U    | 1/N/PE~240V 50-60Hz     |
| V    | 3/PE~240V 50-60Hz       |
| W    | 1/N/PE~100-110V 50-60Hz |

## 1.2 Product codes

| Product code    | Full name  |
|-----------------|--|
| Model codes     |  |
| em              | ELECTROMECHANICAL SWITCHES                         |
| uw              | LOWER AND UPPER WASHER                             |
| Type codes      |  |
| 34HS            | 34HS   |
| Accessory codes |  |
| sc8             | STEAM CONDENSER - LC 81                            |
| csa             | CONVEYOR SPEED ADJUSTING - LC 101                  |
| 972             | 90°MOTORIZED CHAIN CONVEYOR - LC 97/2              |
| 973             | 180°MOTORIZED CHAIN CONVEYOR - LC 97/3             |
| 974             | DRYER WITH 90° MOTORIZED CHAIN CONVEYOR - LC 97/4  |
| 975             | DRYER WITH 180° MOTORIZED CHAIN CONVEYOR - LC 97/5 |
| d8              | DRYER - LC 80                                      |
| cw              | ADDITIONAL BOILER FOR COLD WATER SUPPLY            |
| dvgw            | DVGW VALVE SYSTEM                                  |
| wfa             | WATER FLOW ADJUSTING                               |
| szc8            | SPLASH ZONE WITH CILINDER - LC 84                  |
| sz8             | SPLASH ZONE - LC 83                                |
| ti              | TANK INSULATION                                    |
| ds              | DOUBLE SKIN  |
| bp              | BOOSTER PUMP                                       |
| sdn3            | DISPENSER SYSTEM SDN-3                             |
| 98              | ANGLE LOADING TABLE - LC 98                        |
| res             | RINSE ECONOMIZER SYSTEM                            |

vsezip.ru

+7(812)987-08-81



01\_001\_e

| ID   | P-code  | SN from | SN to | Mod   | Acces. | Volt | Description                |
|--|---------|---------|-------|-------|--------|------|----------------------------|
| <b>Module: Control Panel [151,160,210,220,230,240, BX 230, BX 280]</b> |         |         |       |       |        |      |                            |
| 1  | 2000402 |         | -     | em,uw |        |      | Thermometer                |
| 5  | 2000430 |         | -     | em,uw |        |      | Safety thermostat          |
| 10   | 3002031 |         | -     | em,uw |        |      | Selector with knob         |
| 15   | 3002050 |         | -     | em,uw |        |      | Emergency button           |
| 20   | 3002053 |         | -     | em,uw |        |      | Push button green          |
| 25   | 3002055 |         | -     | em,uw |        |      | Button red                 |
| 30   | 3002065 |         | -     | em,uw |        |      | Signal light red           |
| 35   | 3002067 |         | -     | em,uw |        |      | Signal light yellow        |
| 40   | 15874   |         | -     | em,uw |        |      | Green main switch          |
| 45   | 10707/1 |         | -     | em,uw |        |      | Thermostat 0 - 90° (TB2)   |
| 50   | 3009114 |         | -     | em,uw |        |      | Assembly plate             |
| 55   | 15812   |         | -     | em,uw |        |      | Starter electric component |
| 60   | 3002054 |         | -     | em,uw |        |      | Green contact piece (NO)   |
| 65   | 3002056 |         | -     | em,uw |        |      | Red contact piece (NC)     |
| 70   | 3002066 |         | -     | em,uw |        |      | Signal light green         |
| 75   | 15815   |         | -     | em,uw |        |      | Support square single      |
| 80   | 15824   |         | -     | em,uw |        |      | Green-orange cam           |
| 85   | 2000401 |         | -     | em,uw |        |      | Thermometer probe          |
| 90   | 15849   |         | -     | em,uw |        |      | Switch assembly (PM2)      |

em=ELECTROMECHANICAL SWITCHES, uw=LOWER AND UPPER WASHER

34HS=34HS

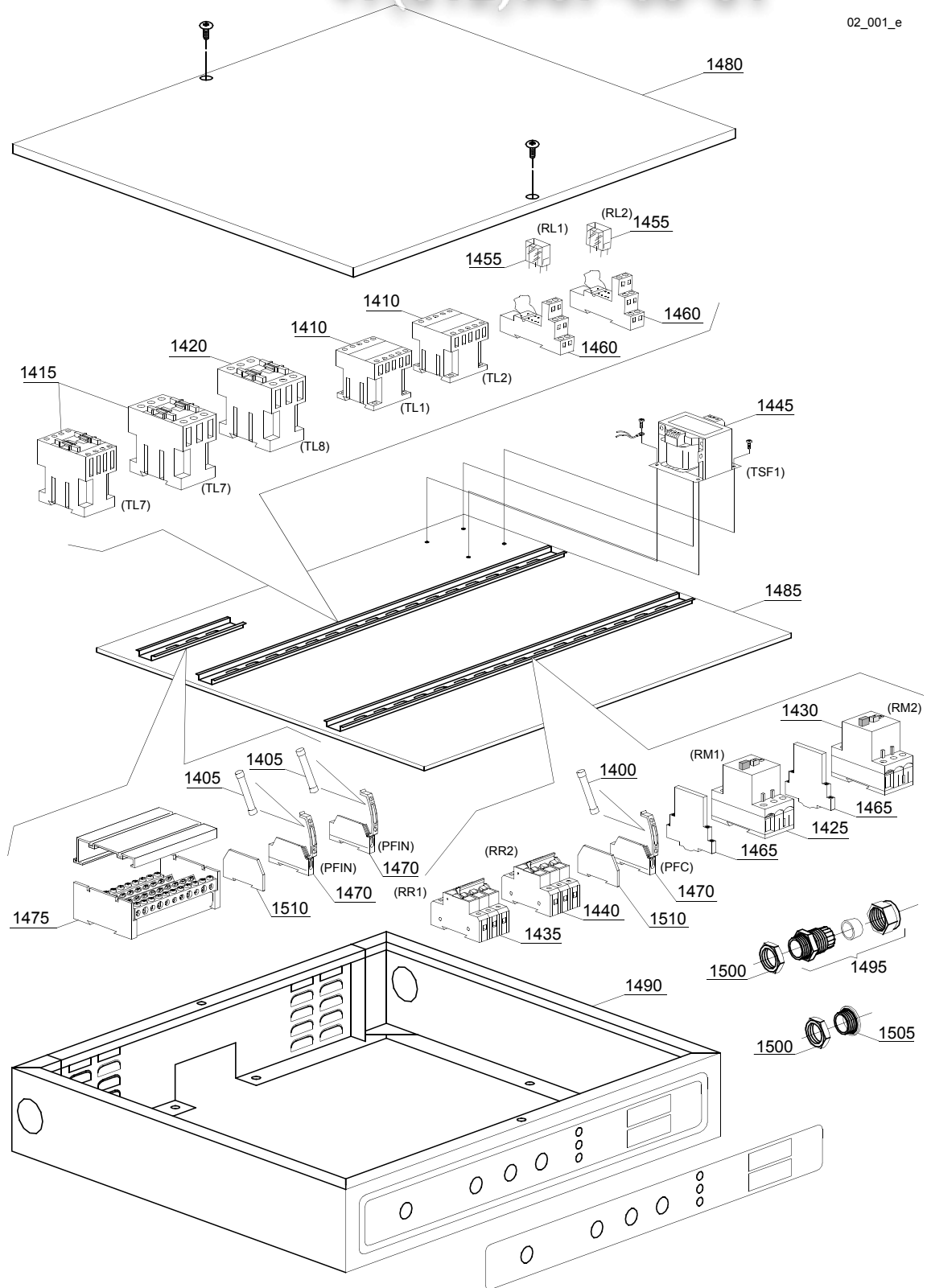
sc8=STEAM CONDENSER - LC 81, csa=CONVEYOR SPEED ADJUSTING - LC 101, 972=90°MOTORIZED CHAIN CONVEYOR - LC 97/2, 973=180°MOTORIZED CHAIN CONVEYOR - LC 97/3, 974=DRYER WITH 90° MOTORIZED CHAIN CONVEYOR - LC 97/4, 975=DRYER WITH 180° MOTORIZED CHAIN CONVEYOR - LC 97/5, d8=DRYER - LC 80, cw=ADDITIONAL BOILER FOR COLD WATER SUPPLY, dvgw=DVGW VALVE SYSTEM, wfa=WATER FLOW ADJUSTING, szc8=SPLASH ZONE WITH CILINDER - LC 84, sz8=SPLASH ZONE - LC 83, ti=TANK INSULATION, ds=DOUBLE SKIN, bp=BOOSTER PUMP, sdn3=DISPENSER SYSTEM SDN-3, 98=ANGLE LOADING TABLE - LC 98, res=RINSE ECONOMIZER SYSTEM

A=3/N/PE~380-400V 50-60Hz, D=3/PE~200-210V 50-60Hz, F=2/PE~220-240V 50-60Hz, G=3/N/PE~415V 50-60Hz, H=3/PE~220-230V 50-60Hz, K=3/PE~380-400V 50-60Hz, L=3/PE~415V 50-60Hz, M=3/PE~440V 60Hz, P=1/N/PE~220-230V 50-60Hz, R=2/PE~220-240V 50-60Hz, U=1/N/PE~240V 50-60Hz, V=3/PE~240V 50-60Hz, W=1/N/PE~100-110V 50-60Hz

vsezip.ru

+7(812)987-08-81

02\_001\_e



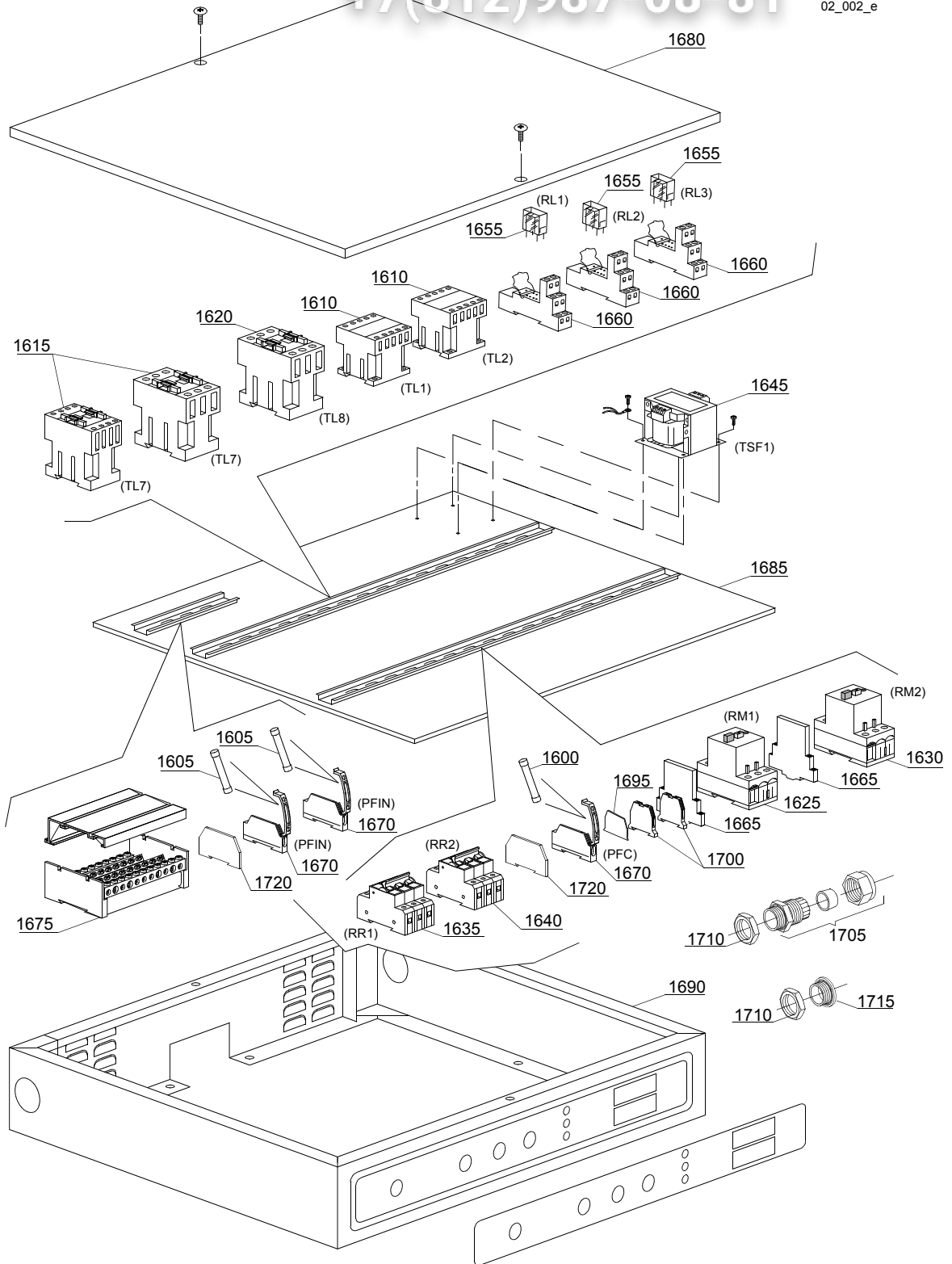
| ID                                 | P-code  | SN from | SN to | Mod.  | Acces. | Volt | Description                                |
|------------------------------------|---------|---------|-------|-------|--------|------|--|
| <b>Module:Electric parts [151]</b> |         |         |       |       |        |      |  |
| 1400                               | 15160   |         | -     | em,uw |        | A    | Fuse 5x20 10A                              |
| 1405                               | 15163   |         | -     | em,uw |        | A    | Fuse 5x20 1A                               |
| 1410                               | 2000370 |         | -     | em,uw |        | A    | Contactora MC9                             |
| 1415                               | 2000380 |         | -     | em,uw |        | A    | Contactora BF12 (heating element < 9 kW)   |
| 1415                               | 2000385 |         | -     | em,uw |        | A    | Contactora BF20 (heating element > 9 kW)   |
| 1420                               | 2000385 |         | -     | em,uw |        | A    | Contactora BF20                            |
| 1425                               | 2000390 |         | -     | em,uw |        | A    | Motorprotector 1 - 1.6A                    |
| 1430                               | 2000400 |         | -     | em,uw |        | A    | Motorprotector 4 - 6.3A                    |
| 1435                               | 2000403 |         | -     | em,uw |        | A    | Automatic fuse C20 (heating element < 9kW) |
| 1435                               | 2000404 |         | -     | em,uw |        | A    | Automatic fuse C25 (heating element > 9kW) |
| 1440                               | 2000403 |         | -     | em,uw |        | A    | Automatic fuse C20 (heating element < 9kW) |
| 1440                               | 2000404 |         | -     | em,uw |        | A    | Automatic fuse C25 (heating element > 9kW) |
| 1445                               | 3006061 |         | -     | em,uw |        | A    | Transformer 200VA                          |
| 1445                               | 3006060 |         | -     | em,uw |        | A    | Transformer 160VA                          |
| 1455                               | 3006078 |         | -     | em,uw |        | A    | Relay                                      |
| 1460                               | 3006079 |         | -     | em,uw |        | A    | Base for relay                             |
| 1465                               | 3006080 |         | -     | em,uw |        | A    | Auxiliary contact LMS25                    |
| 1470                               | 3006147 |         | -     | em,uw |        | A    | Fuse holder                                |
| 1475                               | 3006154 |         | -     | em,uw |        | A    | Terminal board                             |
| 1480                               | 3009457 |         | -     | em,uw |        | A    | Control panel cover                        |
| 1485                               | 3009458 |         | -     | em,uw |        | A    | Electric parts pannel                      |
| 1490                               | 3019033 |         | -     | em,uw |        | A    | Comand parts pannel                        |
| 1495                               | 80419   |         | -     | em,uw |        | A    | Cable-fastener PG29                        |
| 1500                               | 80420   |         | -     | em,uw |        | A    | Lock nut                                   |
| 1505                               | 80421   |         | -     | em,uw |        | A    | Plug PG29                                  |
| 1510                               | 3006144 |         | -     | em,uw |        | A    | Fuse holder covering plate                 |

em=ELECTROMECHANICAL SWITCHES, uw=LOWER AND UPPER WASHER

34HS=34HS

sc8=STEAM CONDENSER - LC 81, csa=CONVEYOR SPEED ADJUSTING - LC 101, 972=90°MOTORIZED CHAIN CONVEYOR - LC 97/2, 973=180°MOTORIZED CHAIN CONVEYOR - LC 97/3, 974=DRYER WITH 90° MOTORIZED CHAIN CONVEYOR - LC 97/4, 975=DRYER WITH 180° MOTORIZED CHAIN CONVEYOR - LC 97/5, d8=DRYER - LC 80, cw=ADDITIONAL BOILER FOR COLD WATER SUPPLY, dvgw=DVGW VALVE SYSTEM, wfa=WATER FLOW ADJUSTING, szc8=SPLASH ZONE WITH CILINDER - LC 84, sz8=SPLASH ZONE - LC 83, ti=TANK INSULATION, ds=DOUBLE SKIN, bp=BOOSTER PUMP, sdn3=DISPENSER SYSTEM SDN-3, 98=ANGLE LOADING TABLE - LC 98, res=RINSE ECONOMIZER SYSTEM

A=3/N/PE~380-400V 50-60Hz, D=3/PE~200-210V 50-60Hz, F=2/PE~220-240V 50-60Hz, G=3/N/PE~415V 50-60Hz, H=3/PE~220-230V 50-60Hz, K=3/PE~380-400V 50-60Hz, L=3/PE~415V 50-60Hz, M=3/PE~440V 60Hz, P=1/N/PE~220-230V 50-60Hz, R=2/PE~220-240V 50-60Hz, U=1/N/PE~240V 50-60Hz, V=3/PE~240V 50-60Hz, W=1/N/PE~100-110V 50-60Hz



| ID                                 | P-code  | SN from | SN to | Mod.  | Acces. | Volt | Description                                |
|------------------------------------|---------|---------|-------|-------|--------|------|--|
| <b>Module:Electric parts [151]</b> |         |         |       |       |        |      |  |
| 1600                               | 15160   |         | -     | em,uw |        | A    | Fuse 5x20 10A                              |
| 1605                               | 15163   |         | -     | em,uw |        | A    | Fuse 5x20 1A                               |
| 1610                               | 2000370 |         | -     | em,uw |        | A    | Contactora MC9                             |
| 1615                               | 2000380 |         | -     | em,uw |        | A    | Contactora BF12 (heating element < 9 kW)   |
| 1615                               | 2000385 |         | -     | em,uw |        | A    | Contactora BF20 (heating element > 9 kW)   |
| 1620                               | 2000385 |         | -     | em,uw |        | A    | Contactora BF20                            |
| 1625                               | 2000390 |         | -     | em,uw |        | A    | Motorprotector 1 - 1.6A                    |
| 1630                               | 2000400 |         | -     | em,uw |        | A    | Motorprotector 4 - 6.3A                    |
| 1635                               | 2000403 |         | -     | em,uw |        | A    | Automatic fuse C20 (heating element < 9kW) |
| 1635                               | 2000404 |         | -     | em,uw |        | A    | Automatic fuse C25 (heating element > 9kW) |
| 1640                               | 2000403 |         | -     | em,uw |        | A    | Automatic fuse C20 (heating element < 9kW) |
| 1640                               | 2000404 |         | -     | em,uw |        | A    | Automatic fuse C25 (heating element > 9kW) |
| 1645                               | 3006061 |         | -     | em,uw |        | A    | Transformer 200VA                          |
| 1645                               | 3006060 |         | -     | em,uw |        | A    | Transformer 160VA                          |
| 1655                               | 3006078 |         | -     | em,uw |        | A    | Relay                                      |
| 1660                               | 3006079 |         | -     | em,uw |        | A    | Base for relay                             |
| 1665                               | 3006080 |         | -     | em,uw |        | A    | Auxiliary contact LMS25                    |
| 1670                               | 3006147 |         | -     | em,uw |        | A    | Fuse holder                                |
| 1675                               | 3006154 |         | -     | em,uw |        | A    | Terminal board                             |
| 1680                               | 3009457 |         | -     | em,uw |        | A    | Control panel cover                        |
| 1685                               | 3009458 |         | -     | em,uw |        | A    | Electric parts pannel                      |
| 1690                               | 3019033 |         | -     | em,uw |        | A    | Comand parts pannel                        |
| 1695                               | 3006083 |         | -     | em,uw |        | A    | Clamp covering plate 4mm <sup>2</sup>      |
| 1700                               | 3006092 |         | -     | em,uw |        | A    | Clamp 4mm <sup>2</sup>                     |
| 1705                               | 80419   |         | -     | em,uw |        | A    | Cable-fastener PG29                        |
| 1710                               | 80420   |         | -     | em,uw |        | A    | Lock nut                                   |
| 1715                               | 80421   |         | -     | em,uw |        | A    | Plug PG29                                  |
| 1720                               | 3006144 |         | -     | em,uw |        | A    | Fuse holder covering plate                 |

em=ELECTROMECHANICAL SWITCHES, uw=LOWER AND UPPER WASHER

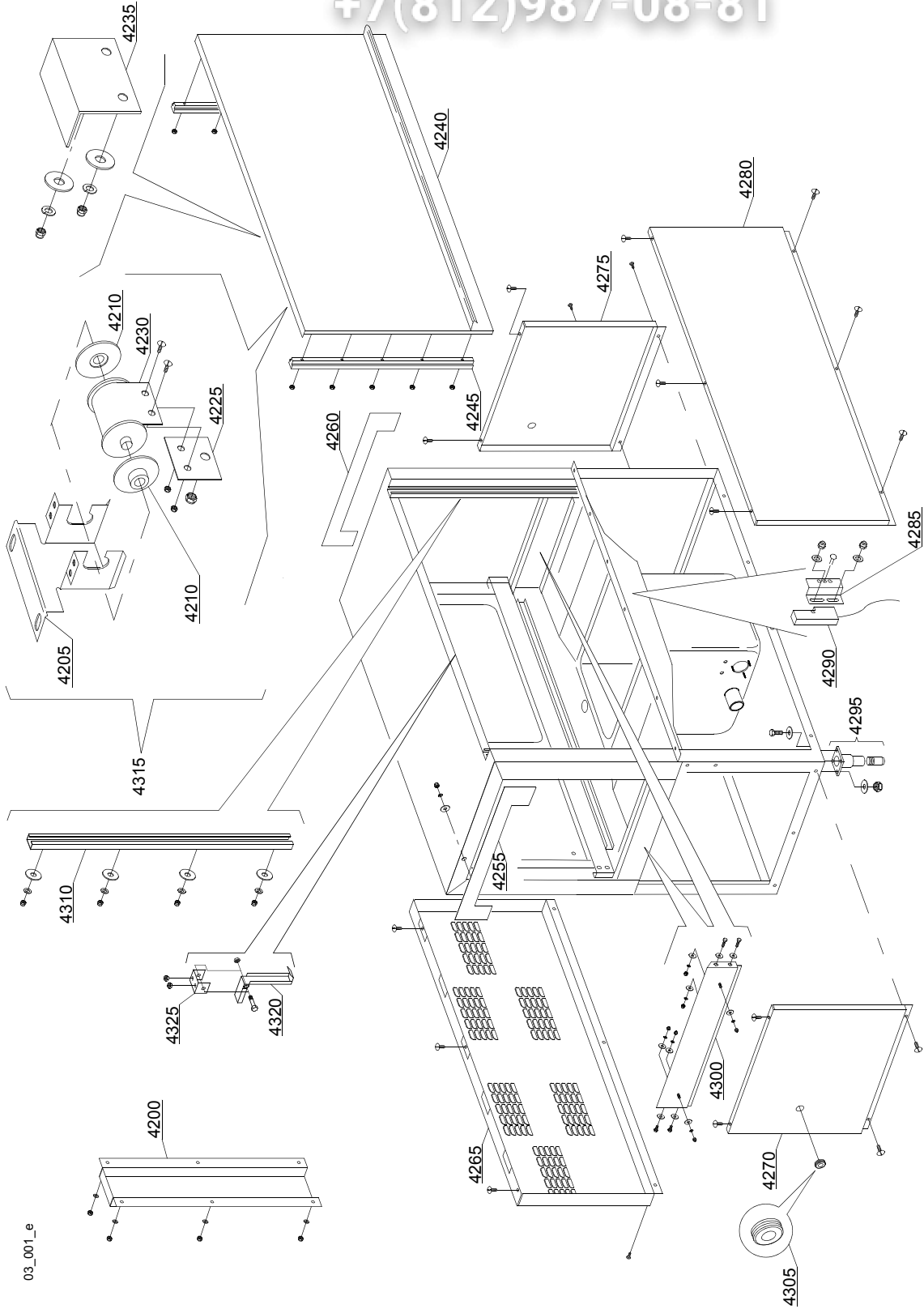
34HS=34HS

sc8=STEAM CONDENSER - LC 81, csa=CONVEYOR SPEED ADJUSTING - LC 101, 972=90°MOTORIZED CHAIN CONVEYOR - LC 97/2, 973=180°MOTORIZED CHAIN CONVEYOR - LC 97/3, 974=DRYER WITH 90° MOTORIZED CHAIN CONVEYOR - LC 97/4, 975=DRYER WITH 180° MOTORIZED CHAIN CONVEYOR - LC 97/5, d8=DRYER - LC 80, cw=ADDITIONAL BOILER FOR COLD WATER SUPPLY, dvgw=DVGW VALVE SYSTEM, wfa=WATER FLOW ADJUSTING, szc8=SPLASH ZONE WITH CILINDER - LC 84, sz8=SPLASH ZONE - LC 83, ti=TANK INSULATION, ds=DOUBLE SKIN, bp=BOOSTER PUMP, sdn3=DISPENSER SYSTEM SDN-3, 98=ANGLE LOADING TABLE - LC 98, res=RINSE ECONOMIZER SYSTEM

A=3/N/PE~380-400V 50-60Hz, D=3/PE~200-210V 50-60Hz, F=2/PE~220-240V 50-60Hz, G=3/N/PE~415V 50-60Hz, H=3/PE~220-230V 50-60Hz, K=3/PE~380-400V 50-60Hz, L=3/PE~415V 50-60Hz, M=3/PE~440V 60Hz, P=1/N/PE~220-230V 50-60Hz, R=2/PE~220-240V 50-60Hz, U=1/N/PE~240V 50-60Hz, V=3/PE~240V 50-60Hz, W=1/N/PE~100-110V 50-60Hz

vsezip.ru

+7(812)987-08-81



03\_001\_e



| ID                                | P-code  | SN from | SN to | Mod.  | Acces. | Volt | Description             |
|-----------------------------------|---------|---------|-------|-------|--------|------|-------------------------|
| <b>Module:General parts [151]</b> |         |         |       |       |        |      |                         |
| 4200                              | 3009322 |         | -     | em,uw |        |      | Rear cover              |
| 4205                              | 3009664 |         | -     | em,uw |        |      | Spring support          |
| 4210                              | 3004012 |         | -     | em,uw |        |      | Spring holder           |
| 4225                              | 3009555 |         | -     | em,uw |        |      | Spring clamping plate   |
| 4230                              | 3004010 |         | -     | em,uw |        |      | Door spring BBSR 21     |
| 4235                              | 3009269 |         | -     | em,uw |        |      | Door stop               |
| 4240                              | 3009576 |         | -     | em,uw |        |      | Door assembly           |
| 4245                              | 3004026 |         | -     | em,uw |        |      | Door guide              |
| 4255                              | 3009523 |         | -     | em,uw |        |      | Pluggin panel left      |
| 4260                              | 3009534 |         | -     | em,uw |        |      | Pluggin panel right     |
| 4265                              | 3009173 |         | -     | em,uw |        |      | Rear panel              |
| 4270                              | 3009191 |         | -     | em,uw |        |      | Cover left              |
| 4275                              | 3009190 |         | -     | em,uw |        |      | Cover right             |
| 4280                              | 3009465 |         | -     | em,uw |        |      | Front cover             |
| 4285                              | 3009112 |         | -     | em,uw |        |      | Microswitch support     |
| 4290                              | 3003112 |         | -     | em,uw |        |      | Door microswitch        |
| 4295                              | 80116   |         | -     | em,uw |        |      | Foot                    |
| 4300                              | 3009549 |         | -     | em,uw |        |      | Side panel              |
| 4305                              | 13329   |         | -     | em,uw |        |      | Fairlead                |
| 4310                              | 3009033 |         | -     | em,uw |        |      | Slideways               |
| 4315                              | 3009907 |         | -     | em,uw |        |      | Spring assembly BBSR 21 |
| 4320                              | 3000323 |         | -     | em,uw |        |      | Hook door               |
| 4325                              | 3000324 |         | -     | em,uw |        |      | Hook support            |

em=ELECTROMECHANICAL SWITCHES, uw=LOWER AND UPPER WASHER

34HS=34HS

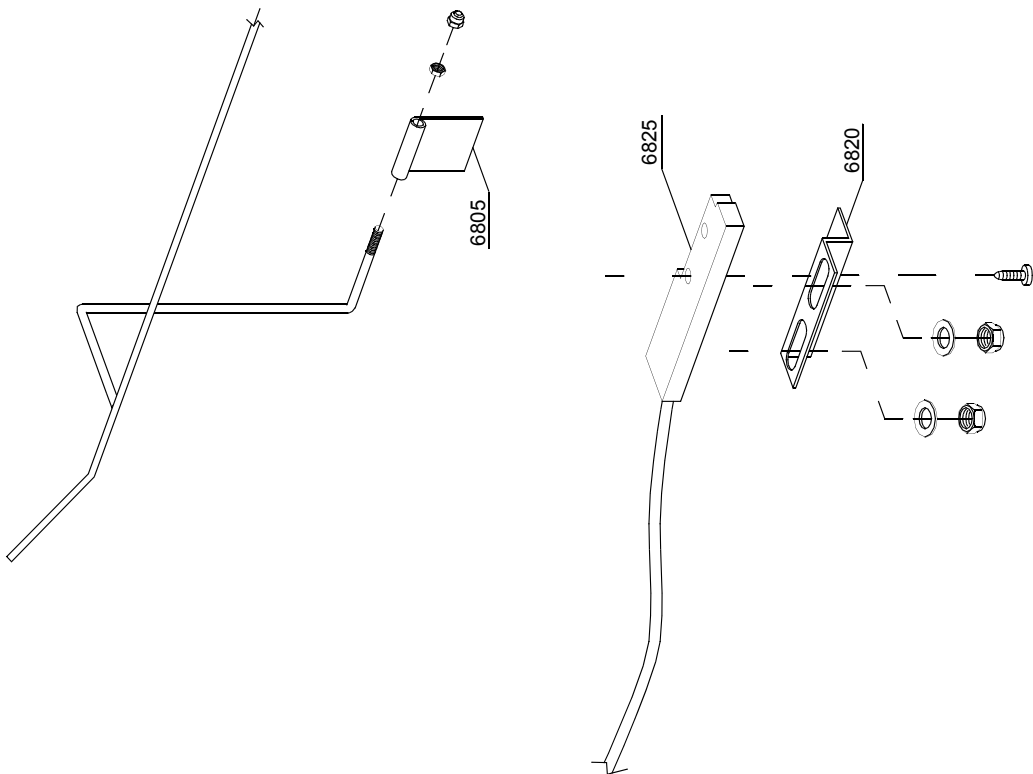
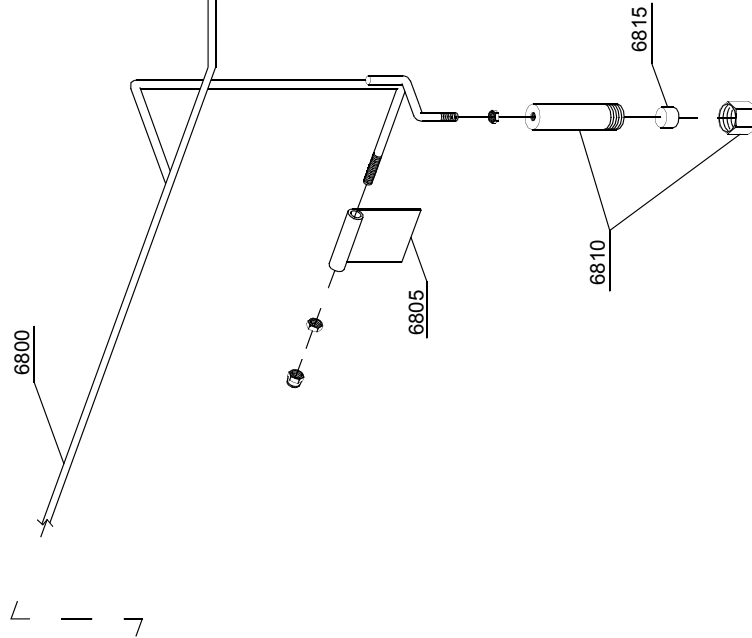
sc8=STEAM CONDENSER - LC 81, csa=CONVEYOR SPEED ADJUSTING - LC 101, 972=90°MOTORIZED CHAIN CONVEYOR - LC 97/2, 973=180°MOTORIZED CHAIN CONVEYOR - LC 97/3, 974=DRYER WITH 90° MOTORIZED CHAIN CONVEYOR - LC 97/4, 975=DRYER WITH 180° MOTORIZED CHAIN CONVEYOR - LC 97/5, d8=DRYER - LC 80, cw=ADDITIONAL BOILER FOR COLD WATER SUPPLY, dvgw=DVGW VALVE SYSTEM, wfa=WATER FLOW ADJUSTING, szc8=SPLASH ZONE WITH CILINDER - LC 84, sz8=SPLASH ZONE - LC 83, ti=TANK INSULATION, ds=DOUBLE SKIN, bp=BOOSTER PUMP, sdn3=DISPENSER SYSTEM SDN-3, 98=ANGLE LOADING TABLE - LC 98, res=RINSE ECONOMIZER SYSTEM

A=3/N/PE~380-400V 50-60Hz, D=3/PE~200-210V 50-60Hz, F=2/PE~220-240V 50-60Hz, G=3/N/PE~415V 50-60Hz, H=3/PE~220-230V 50-60Hz, K=3/PE~380-400V 50-60Hz, L=3/PE~415V 50-60Hz, M=3/PE~440V 60Hz, P=1/N/PE~220-230V 50-60Hz, R=2/PE~220-240V 50-60Hz, U=1/N/PE~240V 50-60Hz, V=3/PE~240V 50-60Hz, W=1/N/PE~100-110V 50-60Hz

vsezip.ru

+7(812)987-08-81

03\_101\_e



vsezip.ru

| ID   | P-code  | SN from | SN to | Mod.  | Acces. | Volt | Description                    |
|--|---------|---------|-------|-------|--------|------|--------------------------------|
| <b>Module: Economizer components [151]</b> |         |         |       |       |        |      |                                |
| 6800                                       | 3004077 |         | -     | em,uw |        |      | Rack switch arm                |
| 6805                                       | 3003061 |         | -     | em,uw |        |      | Economizer support             |
| 6810                                       | 3003058 |         | -     | em,uw |        |      | Magnet holder                  |
| 6815                                       | 3003113 |         | -     | em,uw |        |      | Magnet                         |
| 6820                                       | 3009112 |         | -     | em,uw |        |      | Economizer microswitch support |
| 6825                                       | 3003112 |         | -     | em,uw |        |      | Economizer microswitch         |

em=ELECTROMECHANICAL SWITCHES, uw=LOWER AND UPPER WASHER

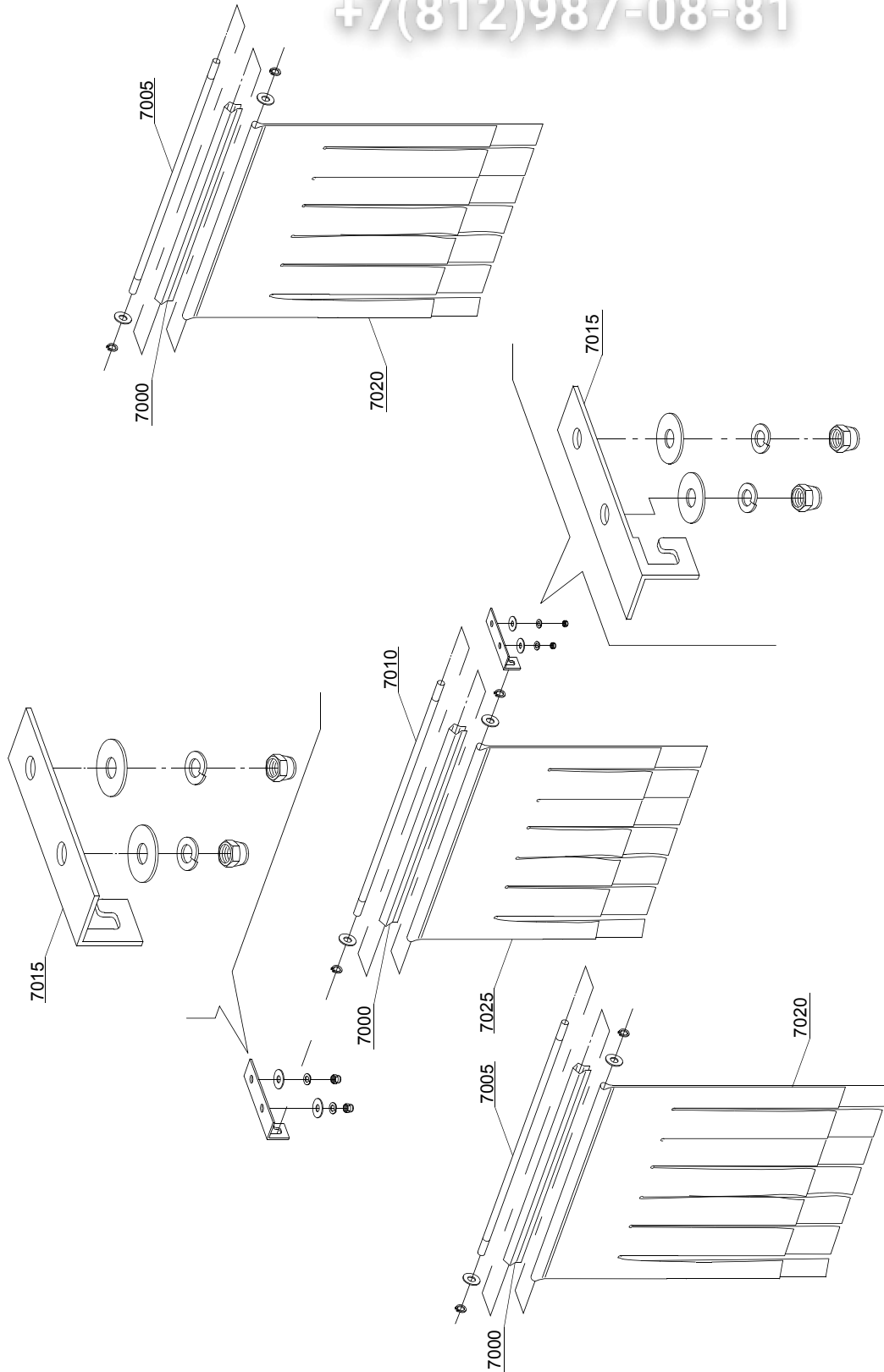
34HS=34HS

sc8=STEAM CONDENSER - LC 81, csa=CONVEYOR SPEED ADJUSTING - LC 101, 972=90°MOTORIZED CHAIN CONVEYOR - LC 97/2, 973=180°MOTORIZED CHAIN CONVEYOR - LC 97/3, 974=DRYER WITH 90° MOTORIZED CHAIN CONVEYOR - LC 97/4, 975=DRYER WITH 180° MOTORIZED CHAIN CONVEYOR - LC 97/5, d8=DRYER - LC 80, cw=ADDITIONAL BOILER FOR COLD WATER SUPPLY, dvgw=DVGW VALVE SYSTEM, wfa=WATER FLOW ADJUSTING, szc8=SPLASH ZONE WITH CILINDER - LC 84, sz8=SPLASH ZONE - LC 83, ti=TANK INSULATION, ds=DOUBLE SKIN, bp=BOOSTER PUMP, sdn3=DISPENSER SYSTEM SDN-3, 98=ANGLE LOADING TABLE - LC 98, res=RINSE ECONOMIZER SYSTEM

A=3/N/PE~380-400V 50-60Hz, D=3/PE~200-210V 50-60Hz, F=2/PE~220-240V 50-60Hz, G=3/N/PE~415V 50-60Hz, H=3/PE~220-230V 50-60Hz, K=3/PE~380-400V 50-60Hz, L=3/PE~415V 50-60Hz, M=3/PE~440V 60Hz, P=1/N/PE~220-230V 50-60Hz, R=2/PE~220-240V 50-60Hz, U=1/N/PE~240V 50-60Hz, V=3/PE~240V 50-60Hz, W=1/N/PE~100-110V 50-60Hz

vsezip.ru

+7(812)987-08-81



03\_201\_e

vsezip.ru

| ID   | P-code  | SN from | SN to | Mod.  | Acces. | Volt | Description       |
|--|---------|---------|-------|-------|--------|------|-------------------|
| <b>Module: Curtains group components</b>   |         |         |       |       |        |      |                   |
| <b>[151,160,210,220,230,240,250,300,300LC,310,310LC,380,380LC,400,440,440LC,540,510,510LC,540LC,BX230]</b> |         |         |       |       |        |      |                   |
| 7000   | 3009109 |         | -     | em,uw |        |      | Curtain moulding  |
| 7005   | 3004053 |         | -     | em,uw |        |      | Curtain rod short |
| 7010   | 3004052 |         | -     | em,uw |        |      | Curtain rod long  |
| 7015   | 3009110 |         | -     | em,uw |        |      | Curtain support   |
| 7020   | 3004050 |         | -     | em,uw |        |      | Curtain long      |
| 7025   | 3004051 |         | -     | em,uw |        |      | Curtain short     |

em=ELECTROMECHANICAL SWITCHES, uw=LOWER AND UPPER WASHER

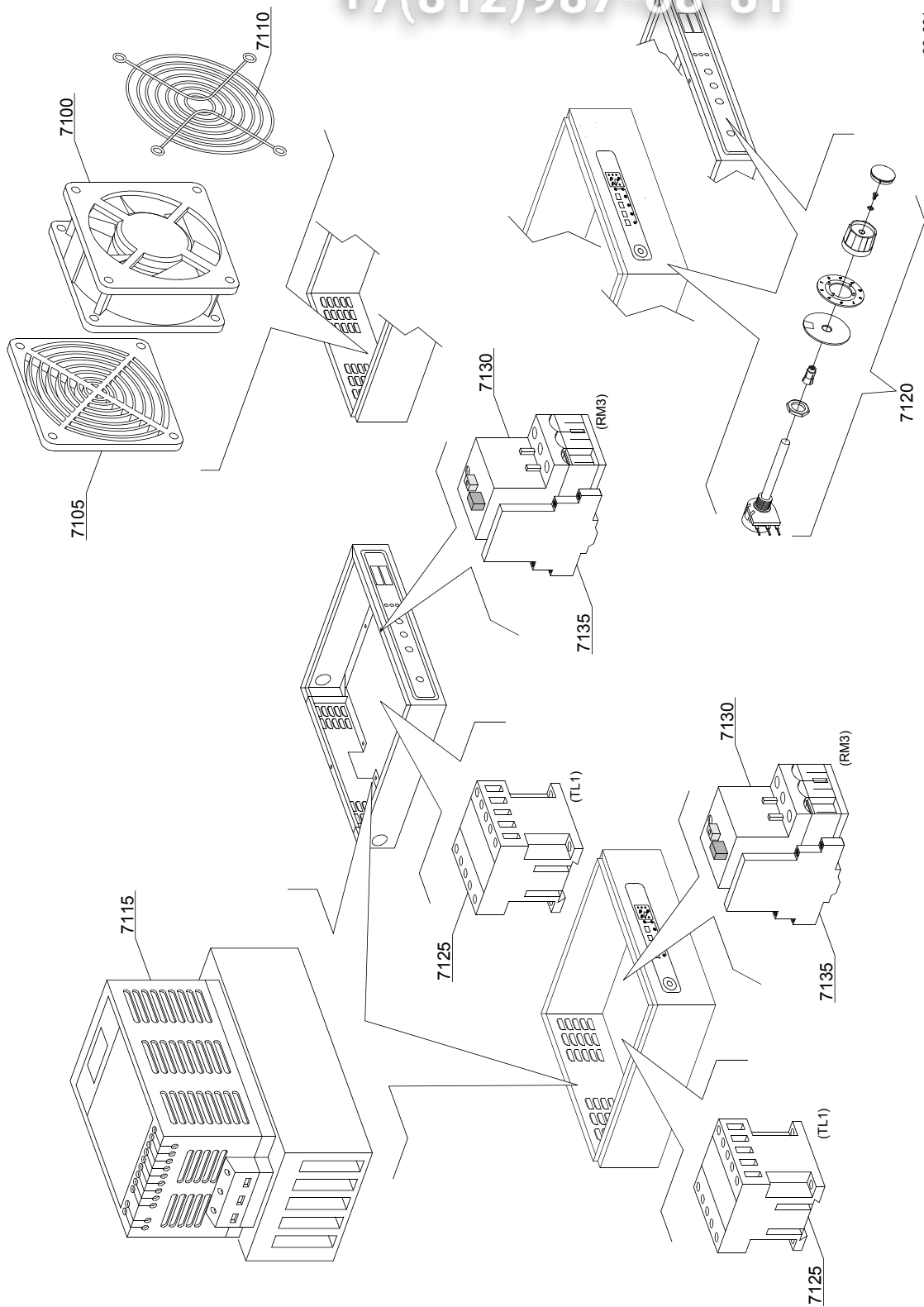
34HS=34HS

sc8=STEAM CONDENSER - LC 81, csa=CONVEYOR SPEED ADJUSTING - LC 101, 972=90°MOTORIZED CHAIN CONVEYOR - LC 97/2, 973=180°MOTORIZED CHAIN CONVEYOR - LC 97/3, 974=DRYER WITH 90° MOTORIZED CHAIN CONVEYOR - LC 97/4, 975=DRYER WITH 180° MOTORIZED CHAIN CONVEYOR - LC 97/5, d8=DRYER - LC 80, cw=ADDITIONAL BOILER FOR COLD WATER SUPPLY, dvgw=DVGW VALVE SYSTEM, wfa=WATER FLOW ADJUSTING, szc8=SPLASH ZONE WITH CILINDER - LC 84, sz8=SPLASH ZONE - LC 83, ti=TANK INSULATION, ds=DOUBLE SKIN, bp=BOOSTER PUMP, sdn3=DISPENSER SYSTEM SDN-3, 98=ANGLE LOADING TABLE - LC 98, res=RINSE ECONOMIZER SYSTEM

A=3/N/PE~380-400V 50-60Hz, D=3/PE~200-210V 50-60Hz, F=2/PE~220-240V 50-60Hz, G=3/N/PE~415V 50-60Hz, H=3/PE~220-230V 50-60Hz, K=3/PE~380-400V 50-60Hz, L=3/PE~415V 50-60Hz, M=3/PE~440V 60Hz, P=1/N/PE~220-230V 50-60Hz, R=2/PE~220-240V 50-60Hz, U=1/N/PE~240V 50-60Hz, V=3/PE~240V 50-60Hz, W=1/N/PE~100-110V 50-60Hz

vsezip.ru

+7(812)987-08-81



06\_001\_e

| ID  | P-code    | SN from | SN to | Mod.  | Acces. | Volt | Description             |
|---|-----------|---------|-------|-------|--------|------|-------------------------|
| <b>Module: Inverter</b>   |           |         |       |       |        |      |                         |
| [151,160,210,220,230,240,250,300,300LC,310,310LC,380,380LC,400,440,440LC,540,510,510LC,540LC,BX230,BX280] |           |         |       |       |        |      |                         |
| 7100  | 3000118   |         | -     | em,uw |        | A    | Impeller fan            |
| 7105  | 3000118/A |         | -     | em,uw |        | A    | Filter                  |
| 7110  | 3000118/B |         | -     | em,uw |        | A    | Grid                    |
| 7115  | 3000117   |         | -     | em,uw |        | A    | Inverter 0,37kW         |
| 7120  | 3000119   |         | -     | em,uw |        | A    | Potentiometer with knob |
| 7125  | 2000370   |         | -     | em,uw |        | A    | Contactora MC9          |
| 7130  | 2000400   |         | -     | em,uw |        | A    | Motorprotector 4-6,3A   |
| 7135  | 3006080   |         | -     | em,uw |        | A    | Auxiliary contact LMS25 |

em=ELECTROMECHANICAL SWITCHES, uw=LOWER AND UPPER WASHER

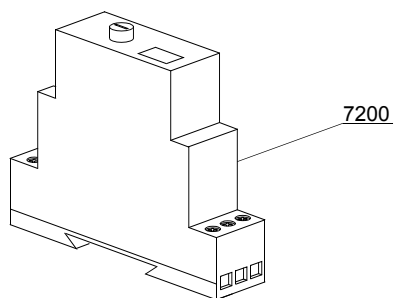
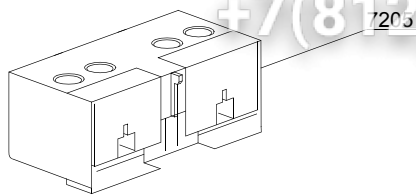
34HS=34HS

sc8=STEAM CONDENSER - LC 81, csa=CONVEYOR SPEED ADJUSTING - LC 101, 972=90°MOTORIZED CHAIN CONVEYOR - LC 97/2, 973=180°MOTORIZED CHAIN CONVEYOR - LC 97/3, 974=DRYER WITH 90° MOTORIZED CHAIN CONVEYOR - LC 97/4, 975=DRYER WITH 180° MOTORIZED CHAIN CONVEYOR - LC 97/5, d8=DRYER - LC 80, cw=ADDITIONAL BOILER FOR COLD WATER SUPPLY, dvgw=DVGW VALVE SYSTEM, wfa=WATER FLOW ADJUSTING, szc8=SPLASH ZONE WITH CILINDER - LC 84, sz8=SPLASH ZONE - LC 83, ti=TANK INSULATION, ds=DOUBLE SKIN, bp=BOOSTER PUMP, sdn3=DISPENSER SYSTEM SDN-3, 98=ANGLE LOADING TABLE - LC 98, res=RINSE ECONOMIZER SYSTEM

A=3/N/PE~380-400V 50-60Hz, D=3/PE~200-210V 50-60Hz, F=2/PE~220-240V 50-60Hz, G=3/N/PE~415V 50-60Hz, H=3/PE~220-230V 50-60Hz, K=3/PE~380-400V 50-60Hz, L=3/PE~415V 50-60Hz, M=3/PE~440V 60Hz, P=1/N/PE~220-230V 50-60Hz, R=2/PE~220-240V 50-60Hz, U=1/N/PE~240V 50-60Hz, V=3/PE~240V 50-60Hz, W=1/N/PE~100-110V 50-60Hz

vsezip.ru

+7(812)987-08-81



07\_001\_e



vsezip.ru

| ID  | P-code  | SN from | SN to | Mod.  | Acces. | Volt | Description                   |
|---|---------|---------|-------|-------|--------|------|-------------------------------|
| <b>Module: Time relay</b>   |         |         |       |       |        |      |                               |
| [151,160,210,220,230,240,250,300,300LC,310,310LC,380,380LC,400,440,440LC,540,510,510LC,540LC,BX230,BX280] |         |         |       |       |        |      |                               |
| 7200  | 3006226 |         | -     | em,uw |        | A    | Time relay 24V                |
| 7200  | 3006226 |         | -     | em,uw |        | A    | Time relay 24V                |
| 7205  | 3006068 |         | -     | em,uw |        | A    | MC9 auxiliary contact 1NO-1NC |
| 7205  | 3002057 |         | -     | em,uw |        | A    | MC9 auxiliary contact 2NO     |
| 7205  | 3002052 |         | -     | em,uw |        | A    | MC9 auxiliary contact 2NC     |

em=ELECTROMECHANICAL SWITCHES, uw=LOWER AND UPPER WASHER

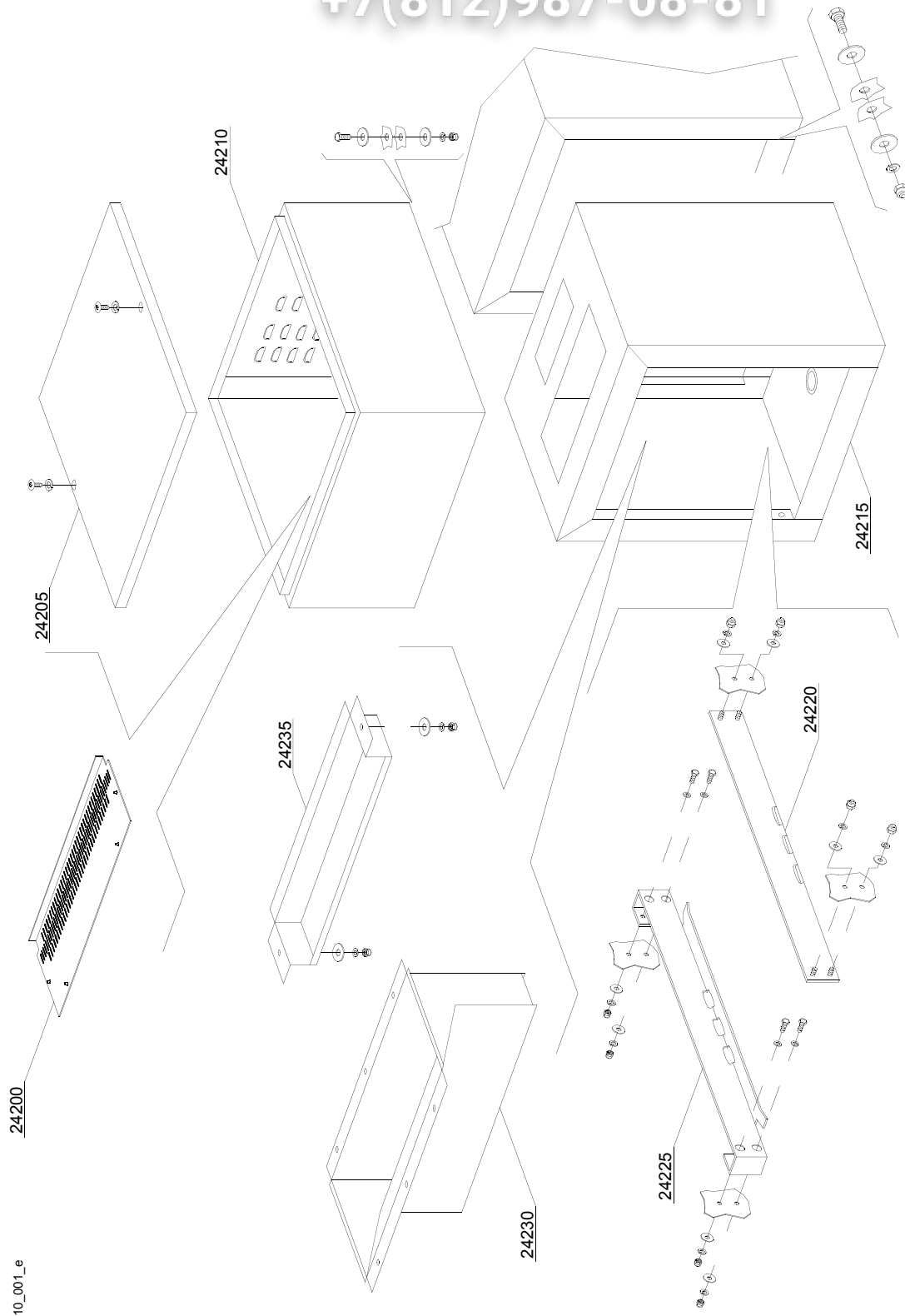
34HS=34HS

sc8=STEAM CONDENSER - LC 81, csa=CONVEYOR SPEED ADJUSTING - LC 101, 972=90°MOTORIZED CHAIN CONVEYOR - LC 97/2, 973=180°MOTORIZED CHAIN CONVEYOR - LC 97/3, 974=DRYER WITH 90° MOTORIZED CHAIN CONVEYOR - LC 97/4, 975=DRYER WITH 180° MOTORIZED CHAIN CONVEYOR - LC 97/5, d8=DRYER - LC 80, cw=ADDITIONAL BOILER FOR COLD WATER SUPPLY, dvgw=DVGW VALVE SYSTEM, wfa=WATER FLOW ADJUSTING, szc8=SPLASH ZONE WITH CILINDER - LC 84, sz8=SPLASH ZONE - LC 83, ti=TANK INSULATION, ds=DOUBLE SKIN, bp=BOOSTER PUMP, sdn3=DISPENSER SYSTEM SDN-3, 98=ANGLE LOADING TABLE - LC 98, res=RINSE ECONOMIZER SYSTEM

A=3/N/PE~380-400V 50-60Hz, D=3/PE~200-210V 50-60Hz, F=2/PE~220-240V 50-60Hz, G=3/N/PE~415V 50-60Hz, H=3/PE~220-230V 50-60Hz, K=3/PE~380-400V 50-60Hz, L=3/PE~415V 50-60Hz, M=3/PE~440V 60Hz, P=1/N/PE~220-230V 50-60Hz, R=2/PE~220-240V 50-60Hz, U=1/N/PE~240V 50-60Hz, V=3/PE~240V 50-60Hz, W=1/N/PE~100-110V 50-60Hz

vsezip.ru

+7(812)987-08-81



10\_001\_e

vsezip.ru

| ID   | P-code  | SN from | SN to | Mod.  | Acces. | Volt | Description             |
|--|---------|---------|-------|-------|--------|------|-------------------------|
| <b>Module: Dryer LC80 (612kW) - part 1 [151]</b> |         |         |       |       |        |      |                         |
| 24200  | 3009564 |         | -     | em,uw |        |      | Protection/Splash guard |
| 24205  | 3009267 |         | -     | em,uw |        |      | Cover panel             |
| 24210  | 3009569 |         | -     | em,uw |        |      | Complete body           |
| 24215  | 3009574 |         | -     | em,uw |        |      | Dryer module            |
| 24220  | 3009381 |         | -     | em,uw |        |      | Front slideways         |
| 24225  | 3009525 |         | -     | em,uw |        |      | Back slideways          |
| 24230  | 3009492 |         | -     | em,uw |        |      | Flow conveyer           |
| 24235  | 3009540 |         | -     | em,uw |        |      | Protection/Splash guard |

em=ELECTROMECHANICAL SWITCHES, uw=LOWER AND UPPER WASHER

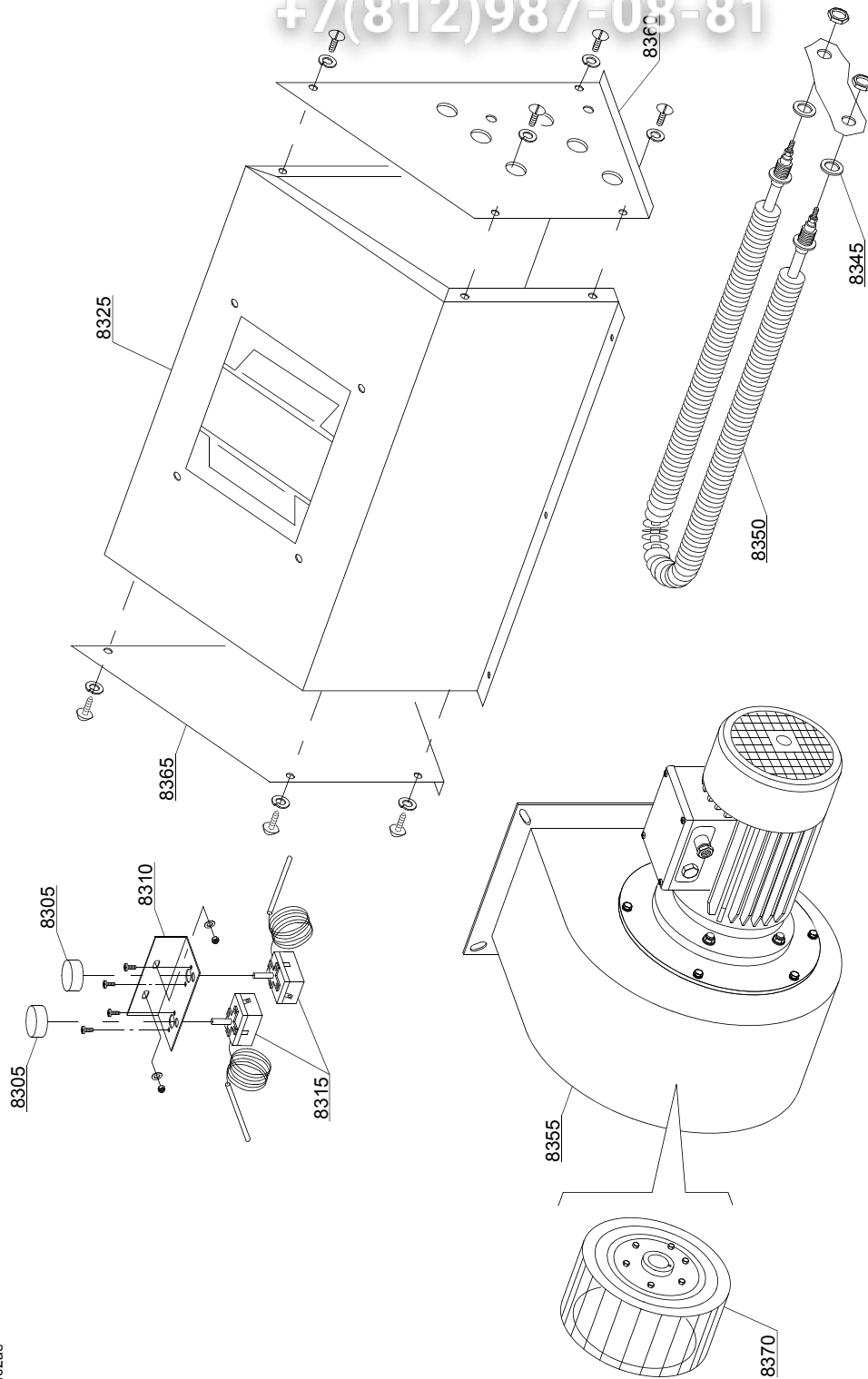
34HS=34HS

sc8=STEAM CONDENSER - LC 81, csa=CONVEYOR SPEED ADJUSTING - LC 101, 972=90°MOTORIZED CHAIN CONVEYOR - LC 97/2, 973=180°MOTORIZED CHAIN CONVEYOR - LC 97/3, 974=DRYER WITH 90° MOTORIZED CHAIN CONVEYOR - LC 97/4, 975=DRYER WITH 180° MOTORIZED CHAIN CONVEYOR - LC 97/5, d8=DRYER - LC 80, cw=ADDITIONAL BOILER FOR COLD WATER SUPPLY, dvgw=DVGW VALVE SYSTEM, wfa=WATER FLOW ADJUSTING, szc8=SPLASH ZONE WITH CILINDER - LC 84, sz8=SPLASH ZONE - LC 83, ti=TANK INSULATION, ds=DOUBLE SKIN, bp=BOOSTER PUMP, sdn3=DISPENSER SYSTEM SDN-3, 98=ANGLE LOADING TABLE - LC 98, res=RINSE ECONOMIZER SYSTEM

A=3/N/PE~380-400V 50-60Hz, D=3/PE~200-210V 50-60Hz, F=2/PE~220-240V 50-60Hz, G=3/N/PE~415V 50-60Hz, H=3/PE~220-230V 50-60Hz, K=3/PE~380-400V 50-60Hz, L=3/PE~415V 50-60Hz, M=3/PE~440V 60Hz, P=1/N/PE~220-230V 50-60Hz, R=2/PE~220-240V 50-60Hz, U=1/N/PE~240V 50-60Hz, V=3/PE~240V 50-60Hz, W=1/N/PE~100-110V 50-60Hz

vsezip.ru

+7(812)987-08-81



11\_102ae

| ID   | P-code   | SN from | SN to | Mod.  | Acces. | Volt | Description                     |
|--|----------|---------|-------|-------|--------|------|---------------------------------|
| <b>Module: Dryer LC80 - LC90 (6kW) - part 2</b>  |          |         |       |       |        |      |                                 |
| <b>[151,160,210,220,230,240,250,300,300LC,310,310LC,380,380LC,400,440,440LC,510,510LC,540,540LC]</b> |          |         |       |       |        |      |                                 |
| 8305   | 15105/C  |         | -     | em,uw |        |      | 0-300°C Thermostat knob         |
| 8310   | 3009104  |         | -     | em,uw |        |      | Thermostat support              |
| 8315   | 10707/3  |         | -     | em,uw |        |      | Thermostat with shaft 0 - 300°  |
| 8325   | 3009674  |         | -     | em,uw |        |      | Drying Carter                   |
| 8330   | 3009486  |         | -     | em,uw |        |      | Right drying conveyor           |
| 8330   | 3009487  |         | -     | em,uw |        |      | Left drying conveyor            |
| 8345   | 10200171 |         | -     | em,uw |        |      | Gasket FASIT 25x17x2            |
| 8350   | 2000359  |         | -     | em,uw |        |      | Drying heating element with nut |
| 8355   | 3000300  |         | -     | em,uw |        | A    | Motorfan 0,55 kW                |
| 8360   | 3009675  |         | -     | em,uw |        |      | Side with oles                  |
| 8365   | 3009676  |         | -     | em,uw |        |      | Side without oles               |
| 8370   | 3000308  |         | -     | em,uw |        |      | Pump rotor                      |

em=ELECTROMECHANICAL SWITCHES, uw=LOWER AND UPPER WASHER

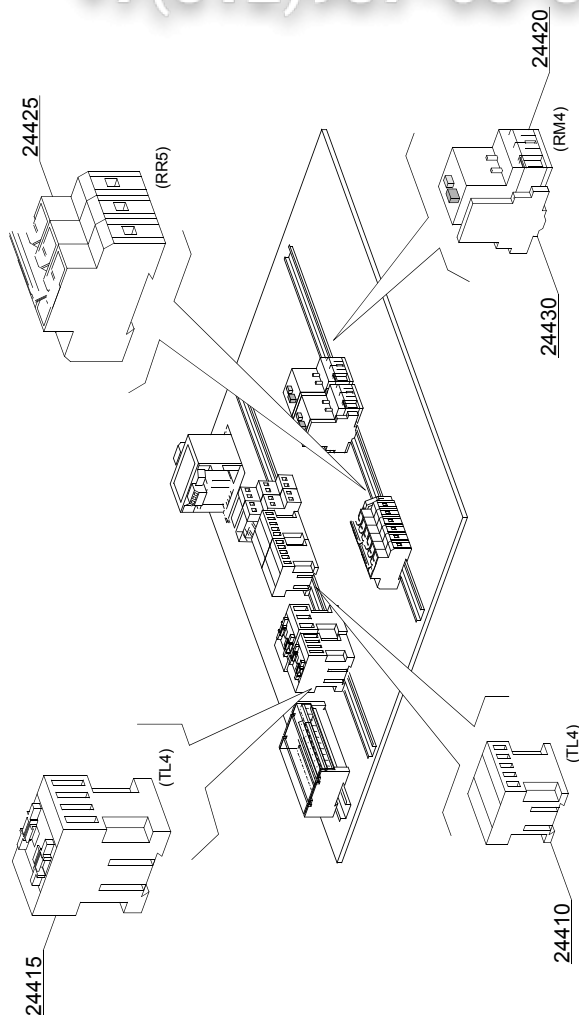
34HS=34HS

sc8=STEAM CONDENSER - LC 81, csa=CONVEYOR SPEED ADJUSTING - LC 101, 972=90°MOTORIZED CHAIN CONVEYOR - LC 97/2, 973=180°MOTORIZED CHAIN CONVEYOR - LC 97/3, 974=DRYER WITH 90° MOTORIZED CHAIN CONVEYOR - LC 97/4, 975=DRYER WITH 180° MOTORIZED CHAIN CONVEYOR - LC 97/5, d8=DRYER - LC 80, cw=ADDITIONAL BOILER FOR COLD WATER SUPPLY, dvgw=DVGW VALVE SYSTEM, wfa=WATER FLOW ADJUSTING, szc8=SPLASH ZONE WITH CILINDER - LC 84, sz8=SPLASH ZONE - LC 83, ti=TANK INSULATION, ds=DOUBLE SKIN, bp=BOOSTER PUMP, sdn3=DISPENSER SYSTEM SDN-3, 98=ANGLE LOADING TABLE - LC 98, res=RINSE ECONOMIZER SYSTEM

A=3/N/PE~380-400V 50-60Hz, D=3/PE~200-210V 50-60Hz, F=2/PE~220-240V 50-60Hz, G=3/N/PE~415V 50-60Hz, H=3/PE~220-230V 50-60Hz, K=3/PE~380-400V 50-60Hz, L=3/PE~415V 50-60Hz, M=3/PE~440V 60Hz, P=1/N/PE~220-230V 50-60Hz, R=2/PE~220-240V 50-60Hz, U=1/N/PE~240V 50-60Hz, V=3/PE~240V 50-60Hz, W=1/N/PE~100-110V 50-60Hz

vsezip.ru

+7(812)987-08-81



10\_201\_e

vsezip.ru

| ID   | P-code  | SN from | SN to | Mod.  | Acces | Volt | Description                              |
|--|---------|---------|-------|-------|-------|------|--|
| <b>Module: Dryer LC80 (6kW) - electric components [15]</b> |         |         |       |       |       |      |  |
| 24410  | 2000370 |         | -     | em,uw |       | A    | Contactora MC9                           |
| 24415  | 2000380 |         | -     | em,uw |       | A    | Contactora BF12 (LC90 - 6kW)             |
| 24420  | 2000394 |         | -     | em,uw |       | A    | Motorprotector 2,5-4A (Motorfan 0,75 kW) |
| 24425  | 2000403 |         | -     | em,uw |       | A    | Automatic fuse C16 (LC90 - 6kW)          |
| 24430  | 3006080 |         | -     | em,uw |       | A    | Auxiliary contact LMS25                  |

em=ELECTROMECHANICAL SWITCHES, uw=LOWER AND UPPER WASHER

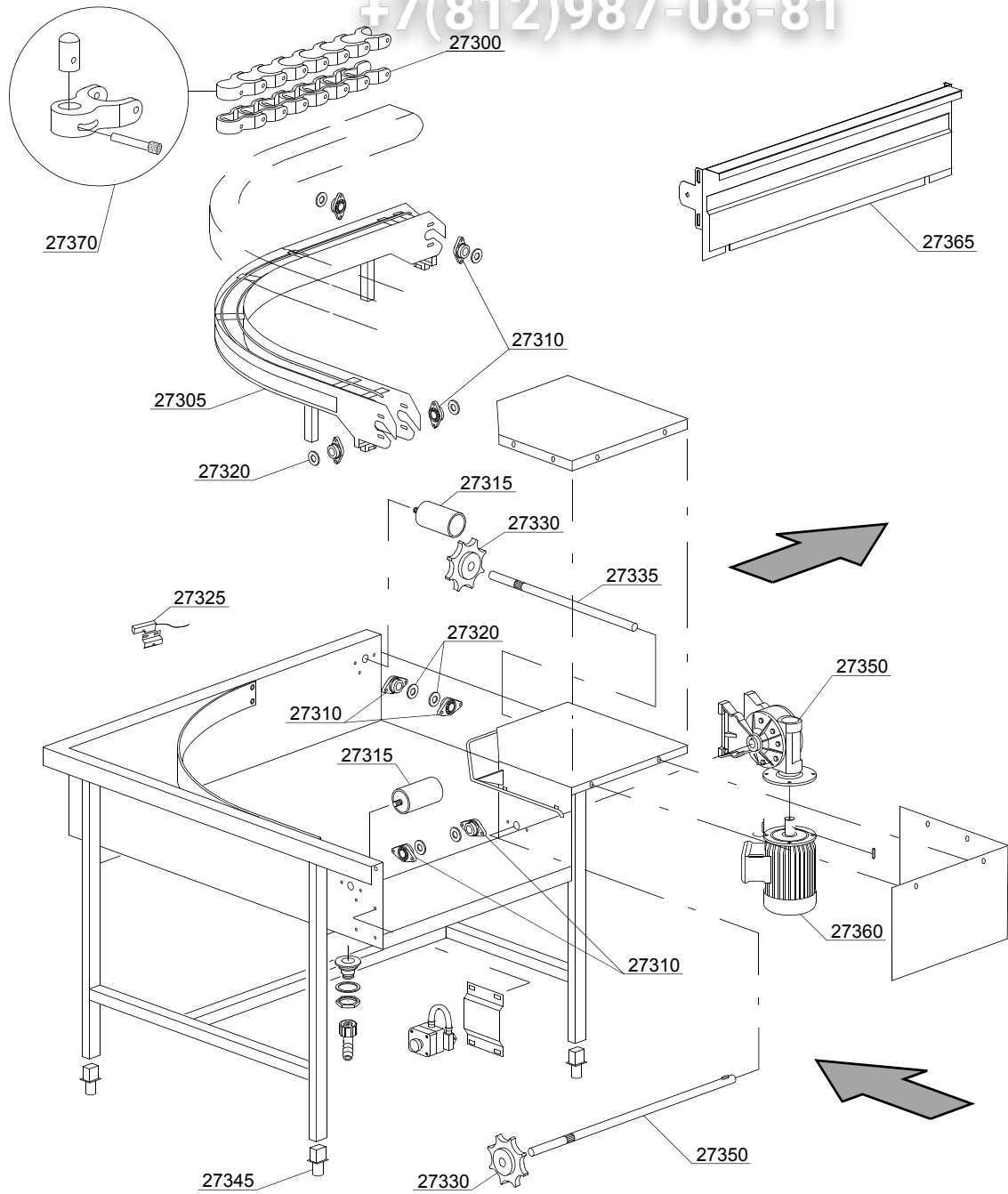
34HS=34HS

sc8=STEAM CONDENSER - LC 81, csa=CONVEYOR SPEED ADJUSTING - LC 101, 972=90°MOTORIZED CHAIN CONVEYOR - LC 97/2, 973=180°MOTORIZED CHAIN CONVEYOR - LC 97/3, 974=DRYER WITH 90° MOTORIZED CHAIN CONVEYOR - LC 97/4, 975=DRYER WITH 180° MOTORIZED CHAIN CONVEYOR - LC 97/5, d8=DRYER - LC 80, cw=ADDITIONAL BOILER FOR COLD WATER SUPPLY, dvgw=DVGW VALVE SYSTEM, wfa=WATER FLOW ADJUSTING, szc8=SPLASH ZONE WITH CILINDER - LC 84, sz8=SPLASH ZONE - LC 83, ti=TANK INSULATION, ds=DOUBLE SKIN, bp=BOOSTER PUMP, sdn3=DISPENSER SYSTEM SDN-3, 98=ANGLE LOADING TABLE - LC 98, res=RINSE ECONOMIZER SYSTEM

A=3/N/PE~380-400V 50-60Hz, D=3/PE~200-210V 50-60Hz, F=2/PE~220-240V 50-60Hz, G=3/N/PE~415V 50-60Hz, H=3/PE~220-230V 50-60Hz, K=3/PE~380-400V 50-60Hz, L=3/PE~415V 50-60Hz, M=3/PE~440V 60Hz, P=1/N/PE~220-230V 50-60Hz, R=2/PE~220-240V 50-60Hz, U=1/N/PE~240V 50-60Hz, V=3/PE~240V 50-60Hz, W=1/N/PE~100-110V 50-60Hz

vsezip.ru

+7(812)987-08-81



15\_001\_e



| ID   | P-code  | SN from | SN to | Mod.  | Acces. | Volt | Description                       |
|--|---------|---------|-------|-------|--------|------|-----------------------------------|
| <b>Module: Motorized curve 90° - LC 97/2</b>   |         |         |       |       |        |      |                                   |
| <b>[151,160,210,220,230,240,250,300,300LC,310,310LC,380,380LC,400,440,440LC,510,510LC,540,540LC,BX230,BX300]</b> |         |         |       |       |        |      |                                   |
| 27300  | 3000259 |         | -     | em,uw |        |      | Chain for roller                  |
| 27305  | 3003057 |         | -     | em,uw |        |      | Kit guide for chain               |
| 27310  | 3000260 |         | -     | em,uw |        |      | Flange for chain                  |
| 27315  | 3000262 |         | -     | em,uw |        |      | Ø50x80 embossment roller          |
| 27320  | 3003048 |         | -     | em,uw |        |      | Spacer for bearings               |
| 27325  | 3003112 |         | -     | em,uw |        |      | Door microswitch                  |
| 27330  | 3000261 |         | -     | em,uw |        |      | 8 teeth pinion                    |
| 27335  | 3003050 |         | -     | em,uw |        |      | Neutral shaft for chain           |
| 27345  | 3000252 |         | -     | em,uw |        |      | Adjustable food                   |
| 27350  | 3003047 |         | -     | em,uw |        |      | Shaft for chain rotation          |
| 27350  | 3000254 |         | -     | em,uw |        |      | Gear right 1:100                  |
| 27360  | 3000102 |         | -     | em,uw |        | A    | Conveyor motor - 8P 230/400V 50HZ |
| 27360  | 3000251 |         | -     | em,uw |        | A    | Conveyor motor - 0,18HP - LC97    |
| 27365  | 3009657 |         | -     | em,uw |        |      | Adapter                           |
| 27370  | 3000270 |         | -     | em,uw |        |      | Rack-push+Support+Pivot           |

em=ELECTROMECHANICAL SWITCHES, uw=LOWER AND UPPER WASHER

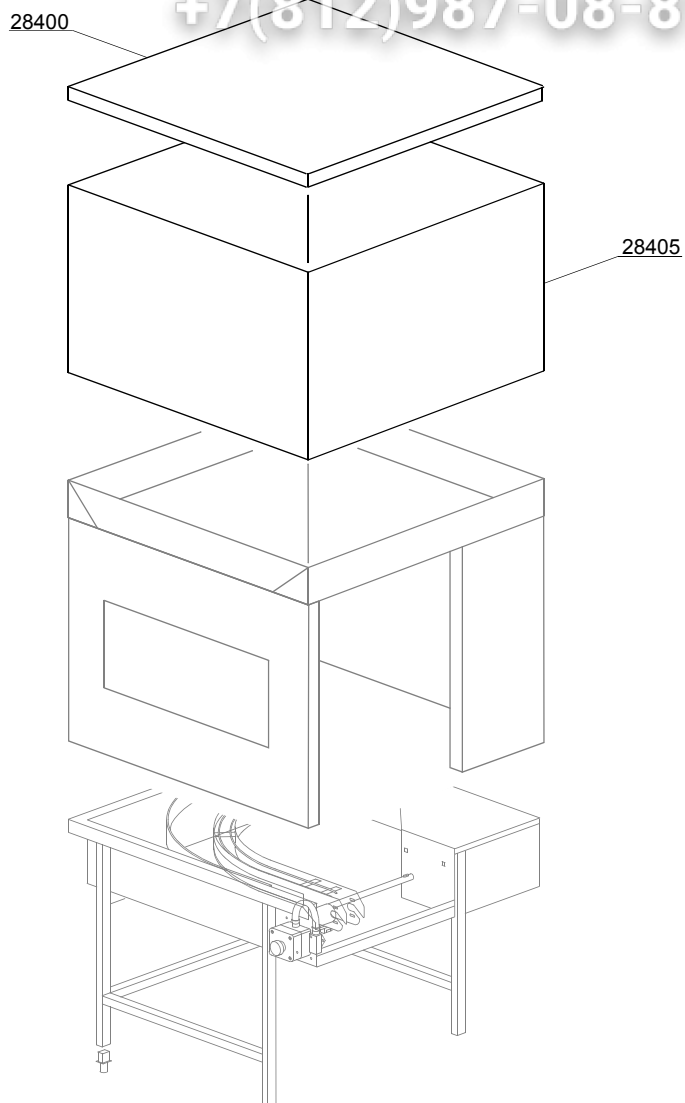
34HS=34HS

sc8=STEAM CONDENSER - LC 81, csa=CONVEYOR SPEED ADJUSTING - LC 101, 972=90°MOTORIZED CHAIN CONVEYOR - LC 97/2, 973=180°MOTORIZED CHAIN CONVEYOR - LC 97/3, 974=DRYER WITH 90° MOTORIZED CHAIN CONVEYOR - LC 97/4, 975=DRYER WITH 180° MOTORIZED CHAIN CONVEYOR - LC 97/5, d8=DRYER - LC 80, cw=ADDITIONAL BOILER FOR COLD WATER SUPPLY, dvgw=DVGW VALVE SYSTEM, wfa=WATER FLOW ADJUSTING, szc8=SPLASH ZONE WITH CILINDER - LC 84, sz8=SPLASH ZONE - LC 83, ti=TANK INSULATION, ds=DOUBLE SKIN, bp=BOOSTER PUMP, sdn3=DISPENSER SYSTEM SDN-3, 98=ANGLE LOADING TABLE - LC 98, res=RINSE ECONOMIZER SYSTEM

A=3/N/PE~380-400V 50-60Hz, D=3/PE~200-210V 50-60Hz, F=2/PE~220-240V 50-60Hz, G=3/N/PE~415V 50-60Hz, H=3/PE~220-230V 50-60Hz, K=3/PE~380-400V 50-60Hz, L=3/PE~415V 50-60Hz, M=3/PE~440V 60Hz, P=1/N/PE~220-230V 50-60Hz, R=2/PE~220-240V 50-60Hz, U=1/N/PE~240V 50-60Hz, V=3/PE~240V 50-60Hz, W=1/N/PE~100-110V 50-60Hz

vsezip.ru

+7(812)987-08-81



15\_101\_e

vsezip.ru

| ID   | P-code  | SN from | SN to | Mod.  | Acces. | Volt | Description |
|--|---------|---------|-------|-------|--------|------|-------------|
| <b>Module: Dryer motorized curve 90° - LC 97/4</b>   |         |         |       |       |        |      |             |
| <b>[151,160,210,220,230,240,250,300,300LC,310,310LC,380,380LC,400,440,440LC,510,510LC,540,540LC,BX230,BX300]</b> |         |         |       |       |        |      |             |
| 28400  | 3009326 |         | -     | em,uw |        |      | Cover panel |
| 28405  | 3009511 |         | -     | em,uw |        |      | Carter      |

em=ELECTROMECHANICAL SWITCHES, uw=LOWER AND UPPER WASHER

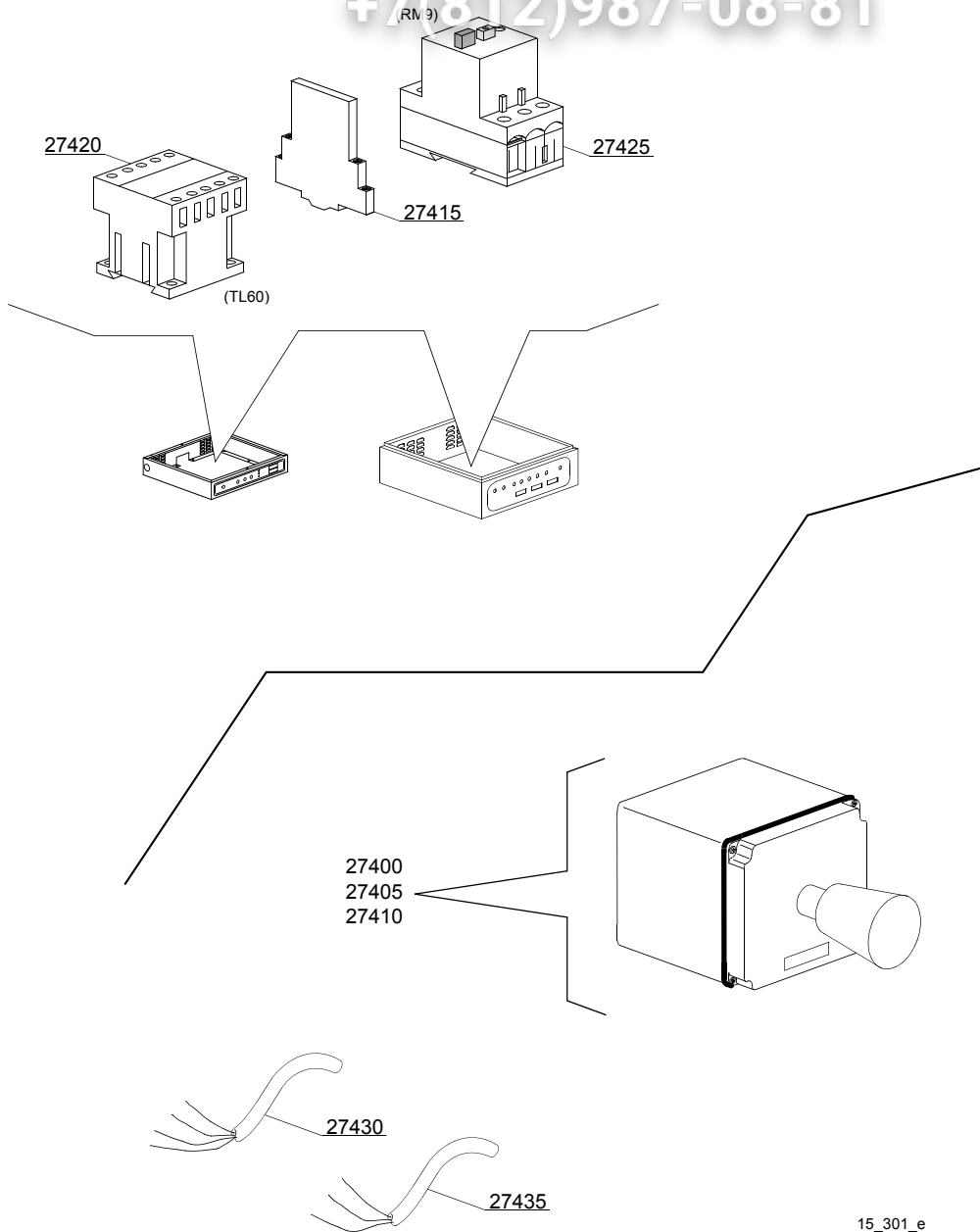
34HS=34HS

sc8=STEAM CONDENSER - LC 81, csa=CONVEYOR SPEED ADJUSTING - LC 101, 972=90°MOTORIZED CHAIN CONVEYOR - LC 97/2, 973=180°MOTORIZED CHAIN CONVEYOR - LC 97/3, 974=DRYER WITH 90° MOTORIZED CHAIN CONVEYOR - LC 97/4, 975=DRYER WITH 180° MOTORIZED CHAIN CONVEYOR - LC 97/5, d8=DRYER - LC 80, cw=ADDITIONAL BOILER FOR COLD WATER SUPPLY, dvgw=DVGW VALVE SYSTEM, wfa=WATER FLOW ADJUSTING, szc8=SPLASH ZONE WITH CILINDER - LC 84, sz8=SPLASH ZONE - LC 83, ti=TANK INSULATION, ds=DOUBLE SKIN, bp=BOOSTER PUMP, sdn3=DISPENSER SYSTEM SDN-3, 98=ANGLE LOADING TABLE - LC 98, res=RINSE ECONOMIZER SYSTEM

A=3/N/PE~380-400V 50-60Hz, D=3/PE~200-210V 50-60Hz, F=2/PE~220-240V 50-60Hz, G=3/N/PE~415V 50-60Hz, H=3/PE~220-230V 50-60Hz, K=3/PE~380-400V 50-60Hz, L=3/PE~415V 50-60Hz, M=3/PE~440V 60Hz, P=1/N/PE~220-230V 50-60Hz, R=2/PE~220-240V 50-60Hz, U=1/N/PE~240V 50-60Hz, V=3/PE~240V 50-60Hz, W=1/N/PE~100-110V 50-60Hz

vsezip.ru

+7(812)987-08-81



15\_301\_e

vsezip.ru

| ID   | P-code  | SN from | SN to | Mod.  | Acces. | Volt | Description                                |
|--|---------|---------|-------|-------|--------|------|--|
| <b>Module: Motorized curve 90° - LC 97/2: electric parts</b>   |         |         |       |       |        |      |  |
| <b>[151,160,210,220,230,240,250,300,300LC,310,310LC,380,380LC,400,440,440LC,510,510LC,540,540LC,BX230,BX300]</b> |         |         |       |       |        |      |  |
| 27400  | 3000264 |         | -     | em,uw |        |      | Emergency box                              |
| 27405  | 3000263 |         | -     | em,uw |        |      | Emergency switch                           |
| 27410  | 3002059 |         | -     | em,uw |        |      | 1R contact                                 |
| 27415  | 3006080 |         | -     | em,uw |        |      | Auxiliary contact LMS25                    |
| 27420  | 2000370 |         | -     | em,uw |        |      | Contacteur MC9                             |
| 27425  | 2000389 |         | -     | em,uw |        |      | Motorprotector 0,63 - 1A (vers.400 VaC 3N) |
| 27425  | 2000390 |         | -     | em,uw |        |      | Motorprotector 1 - 1.6A                    |
| 27430  | 3006134 |         | -     | em,uw |        |      | Flame-retardant cable 4x1,5mm              |

em=ELECTROMECHANICAL SWITCHES, uw=LOWER AND UPPER WASHER

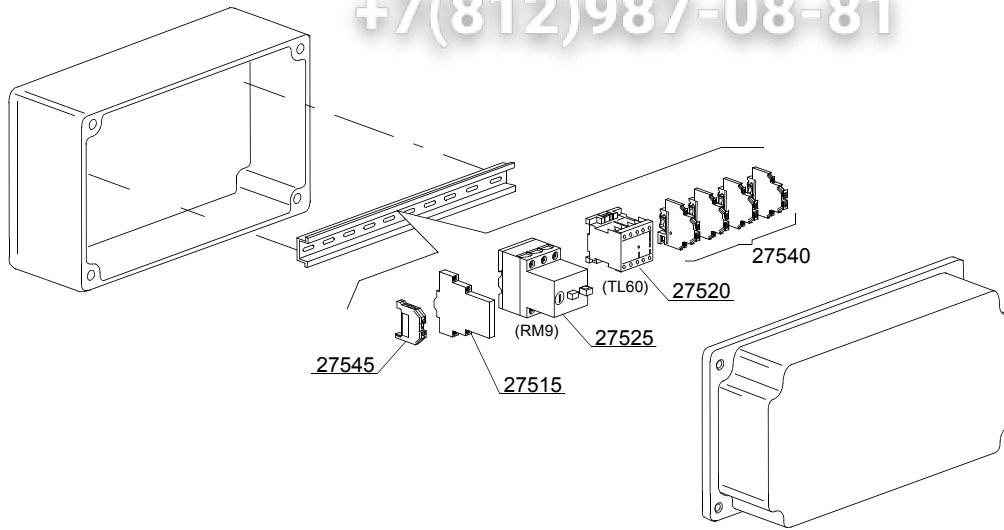
34HS=34HS

sc8=STEAM CONDENSER - LC 81, csa=CONVEYOR SPEED ADJUSTING - LC 101, 972=90°MOTORIZED CHAIN CONVEYOR - LC 97/2, 973=180°MOTORIZED CHAIN CONVEYOR - LC 97/3, 974=DRYER WITH 90° MOTORIZED CHAIN CONVEYOR - LC 97/4, 975=DRYER WITH 180° MOTORIZED CHAIN CONVEYOR - LC 97/5, d8=DRYER - LC 80, cw=ADDITIONAL BOILER FOR COLD WATER SUPPLY, dvgw=DVGW VALVE SYSTEM, wfa=WATER FLOW ADJUSTING, szc8=SPLASH ZONE WITH CILINDER - LC 84, sz8=SPLASH ZONE - LC 83, ti=TANK INSULATION, ds=DOUBLE SKIN, bp=BOOSTER PUMP, sdn3=DISPENSER SYSTEM SDN-3, 98=ANGLE LOADING TABLE - LC 98, res=RINSE ECONOMIZER SYSTEM

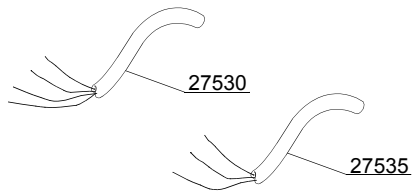
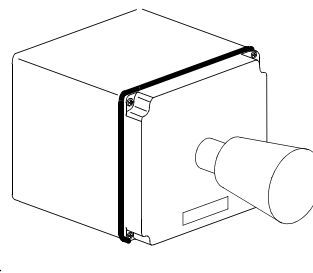
A=3/N/PE~380-400V 50-60Hz, D=3/PE~200-210V 50-60Hz, F=2/PE~220-240V 50-60Hz, G=3/N/PE~415V 50-60Hz, H=3/PE~220-230V 50-60Hz, K=3/PE~380-400V 50-60Hz, L=3/PE~415V 50-60Hz, M=3/PE~440V 60Hz, P=1/N/PE~220-230V 50-60Hz, R=2/PE~220-240V 50-60Hz, U=1/N/PE~240V 50-60Hz, V=3/PE~240V 50-60Hz, W=1/N/PE~100-110V 50-60Hz

vsezip.ru

+7(812)987-08-81



27500  
27505  
27510



15\_302\_e

| ID  | P-code   | SN from | SN to | Mod.  | Acces. | Volt | Description                                |
|---|----------|---------|-------|-------|--------|------|--|
| <b>Module: Motorized curve 90° - LC 97/2: electric parts single speed - remote control [151,16]</b> |          |         |       |       |        |      |  |
| 27500   | 3000264  |         | -     | em,uw |        |      | Emergency box                              |
| 27505   | 3000263  |         | -     | em,uw |        |      | Emergency switch                           |
| 27510   | 3002059  |         | -     | em,uw |        |      | 1R contact                                 |
| 27515   | 3006080  |         | -     | em,uw |        |      | Auxiliary contact LMS25                    |
| 27520   | 2000370  |         | -     | em,uw |        |      | Contacteur MC9                             |
| 27525   | 2000389  |         | -     | em,uw |        |      | Motorprotector 0,63 - 1A (vers.400 VaC 3N) |
| 27525   | 2000390  |         | -     | em,uw |        |      | Motorprotector 1 - 1.6A                    |
| 27530   | 3006134  |         | -     | em,uw |        |      | Flame-retardant cable 4x1,5mm              |
| 27540   | 3006092  |         | -     | em,uw |        |      | Clamp 4mm <sup>2</sup>                     |
| 27545   | 10300401 |         | -     | em,uw |        |      | Earth clamp 4mm <sup>2</sup>               |

em=ELECTROMECHANICAL SWITCHES, uw=LOWER AND UPPER WASHER

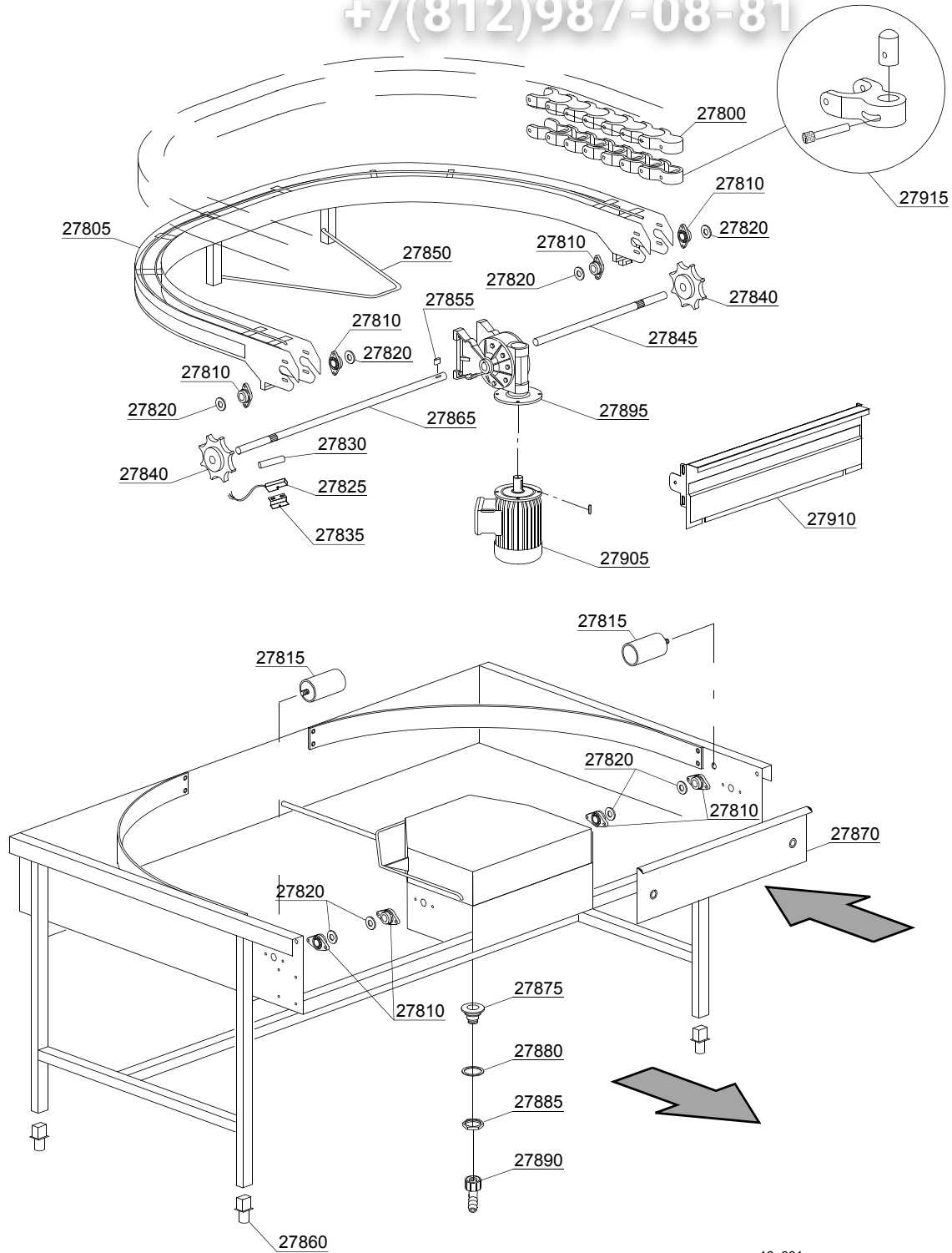
34HS=34HS

sc8=STEAM CONDENSER - LC 81, csa=CONVEYOR SPEED ADJUSTING - LC 101, 972=90°MOTORIZED CHAIN CONVEYOR - LC 97/2, 973=180°MOTORIZED CHAIN CONVEYOR - LC 97/3, 974=DRYER WITH 90° MOTORIZED CHAIN CONVEYOR - LC 97/4, 975=DRYER WITH 180° MOTORIZED CHAIN CONVEYOR - LC 97/5, d8=DRYER - LC 80, cw=ADDITIONAL BOILER FOR COLD WATER SUPPLY, dvgw=DVGW VALVE SYSTEM, wfa=WATER FLOW ADJUSTING, szc8=SPLASH ZONE WITH CILINDER - LC 84, sz8=SPLASH ZONE - LC 83, ti=TANK INSULATION, ds=DOUBLE SKIN, bp=BOOSTER PUMP, sdn3=DISPENSER SYSTEM SDN-3, 98=ANGLE LOADING TABLE - LC 98, res=RINSE ECONOMIZER SYSTEM

A=3/N/PE~380-400V 50-60Hz, D=3/PE~200-210V 50-60Hz, F=2/PE~220-240V 50-60Hz, G=3/N/PE~415V 50-60Hz, H=3/PE~220-230V 50-60Hz, K=3/PE~380-400V 50-60Hz, L=3/PE~415V 50-60Hz, M=3/PE~440V 60Hz, P=1/N/PE~220-230V 50-60Hz, R=2/PE~220-240V 50-60Hz, U=1/N/PE~240V 50-60Hz, V=3/PE~240V 50-60Hz, W=1/N/PE~100-110V 50-60Hz

vsezip.ru

+7(812)987-08-81



16\_001\_e



| ID   | P-code   | SN from | SN to | Mod   | Acces. | Volt | Description                       |
|--|----------|---------|-------|-------|--------|------|-----------------------------------|
| <b>Module: Motorized curve 180° - LC 97/3</b>  |          |         |       |       |        |      |                                   |
| <b>[151,160,210,220,230,240,250,300,300LC,310,310LC,380,380LC,400,440,440LC,510,510LC,540,540LC,BX230,BX300]</b> |          |         |       |       |        |      |                                   |
| 27800  | 3000259  |         | -     | em,uw |        |      | Chain for roller                  |
| 27805  | 3003056  |         | -     | em,uw |        |      | Kit guide for chain               |
| 27810  | 3000260  |         | -     | em,uw |        |      | Flange for chain                  |
| 27815  | 3000262  |         | -     | em,uw |        |      | Ø50x80 embossment roller          |
| 27820  | 3003048  |         | -     | em,uw |        |      | Spacer for bearings               |
| 27825  | 3003112  |         | -     | em,uw |        |      | Door microswitch                  |
| 27830  | 80232    |         | -     | em,uw |        |      | Magnet for reed                   |
| 27835  | 3009112  |         | -     | em,uw |        |      | Holder for reed micro door        |
| 27840  | 3000261  |         | -     | em,uw |        |      | 8 teeth pinion                    |
| 27845  | 3003051  |         | -     | em,uw |        |      | Neutral shaft for chain           |
| 27850  | 3003053  |         | -     | em,uw |        |      | Lifting arm for chain guide       |
| 27855  | 2001045  |         | -     | em,uw |        |      | 6x6x25 machine key                |
| 27860  | 3000252  |         | -     | em,uw |        |      | Adjustable food                   |
| 27865  | 3003047  |         | -     | em,uw |        |      | Shaft for chain rotation          |
| 27870  | 3009609  |         | -     | em,uw |        |      | Protection panel                  |
| 27875  | 10200113 |         | -     | em,uw |        |      | Floor drain                       |
| 27880  | 10200173 |         | -     | em,uw |        |      | 75x58x2 gasket                    |
| 27885  | 10200114 |         | -     | em,uw |        |      | Drain floor nut                   |
| 27890  | 15613    |         | -     | em,uw |        |      | 1" 1/4x30 nylon elbow             |
| 27895  | 3000255  |         | -     | em,uw |        |      | Gear right 1:70 2" Speed          |
| 27895  | 3000253  |         | -     | em,uw |        |      | Gear right 1:100 2" Speed         |
| 27895  | 3000254  |         | -     | em,uw |        |      | Gear right 1:100 1" Speed         |
| 27905  | 3000102  |         | -     | em,uw |        | A    | Conveyor motor - 8P 230/400V 50HZ |
| 27905  | 3000251  |         | -     | em,uw |        | A    | Conveyor motor - 0,18HP - LC97    |
| 27910  | 3009657  |         | -     | em,uw |        |      | Adapter                           |
| 27915  | 3000270  |         | -     | em,uw |        |      | Rack-push+Support+Pivot           |

em=ELECTROMECHANICAL SWITCHES, uw=LOWER AND UPPER WASHER

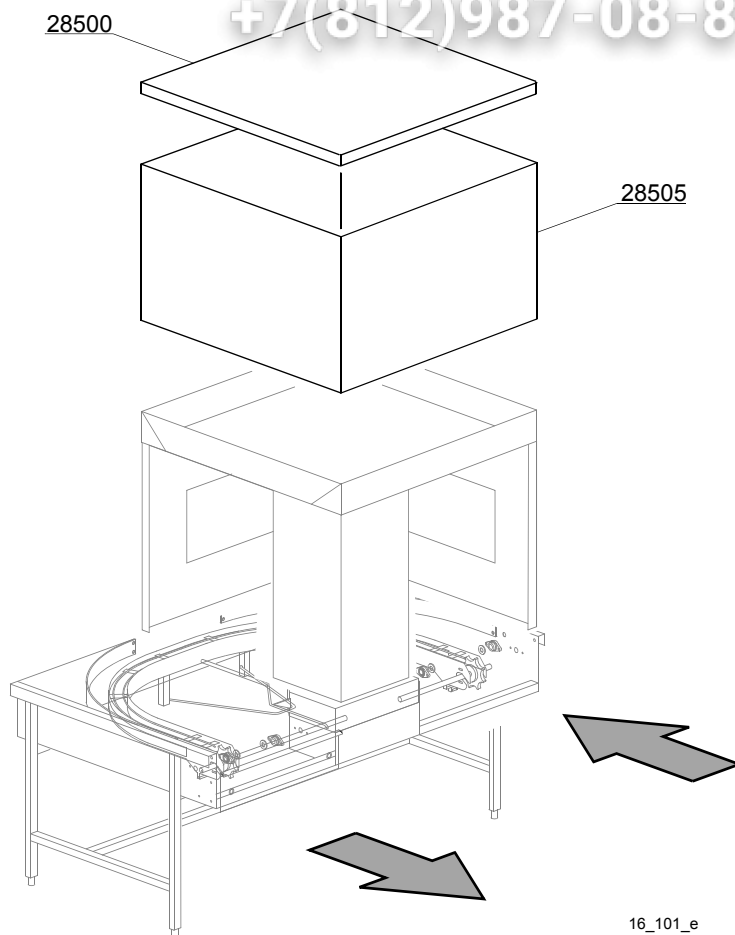
34HS=34HS

sc8=STEAM CONDENSER - LC 81, csa=CONVEYOR SPEED ADJUSTING - LC 101, 972=90°MOTORIZED CHAIN CONVEYOR - LC 97/2, 973=180°MOTORIZED CHAIN CONVEYOR - LC 97/3, 974=DRYER WITH 90° MOTORIZED CHAIN CONVEYOR - LC 97/4, 975=DRYER WITH 180° MOTORIZED CHAIN CONVEYOR - LC 97/5, d8=DRYER - LC 80, cw=ADDITIONAL BOILER FOR COLD WATER SUPPLY, dvgw=DVGW VALVE SYSTEM, wfa=WATER FLOW ADJUSTING, szc8=SPLASH ZONE WITH CILINDER - LC 84, sz8=SPLASH ZONE - LC 83, ti=TANK INSULATION, ds=DOUBLE SKIN, bp=BOOSTER PUMP, sdn3=DISPENSER SYSTEM SDN-3, 98=ANGLE LOADING TABLE - LC 98, res=RINSE ECONOMIZER SYSTEM

A=3/N/PE~380-400V 50-60Hz, D=3/PE~200-210V 50-60Hz, F=2/PE~220-240V 50-60Hz, G=3/N/PE~415V 50-60Hz, H=3/PE~220-230V 50-60Hz, K=3/PE~380-400V 50-60Hz, L=3/PE~415V 50-60Hz, M=3/PE~440V 60Hz, P=1/N/PE~220-230V 50-60Hz, R=2/PE~220-240V 50-60Hz, U=1/N/PE~240V 50-60Hz, V=3/PE~240V 50-60Hz, W=1/N/PE~100-110V 50-60Hz

vsezip.ru

+7(812)987-08-81



16\_101\_e

vsezip.ru

| ID   | P-code  | SN from | SN to | Mod   | Acces. | Volt | Description |
|--|---------|---------|-------|-------|--------|------|-------------|
| <b>Module: Dryer motorized curve 180° - LC 97/5</b>  |         |         |       |       |        |      |             |
| <b>[151,160,210,220,230,240,250,300,300LC,310,310LC,380,380LC,400,440,440LC,510,510LC,540,540LC,BX230,BX300]</b> |         |         |       |       |        |      |             |
| 28500  | 3009326 |         | -     | em,uw |        |      | Cover panel |
| 28505  | 3009511 |         | -     | em,uw |        |      | Carter      |

em=ELECTROMECHANICAL SWITCHES, uw=LOWER AND UPPER WASHER

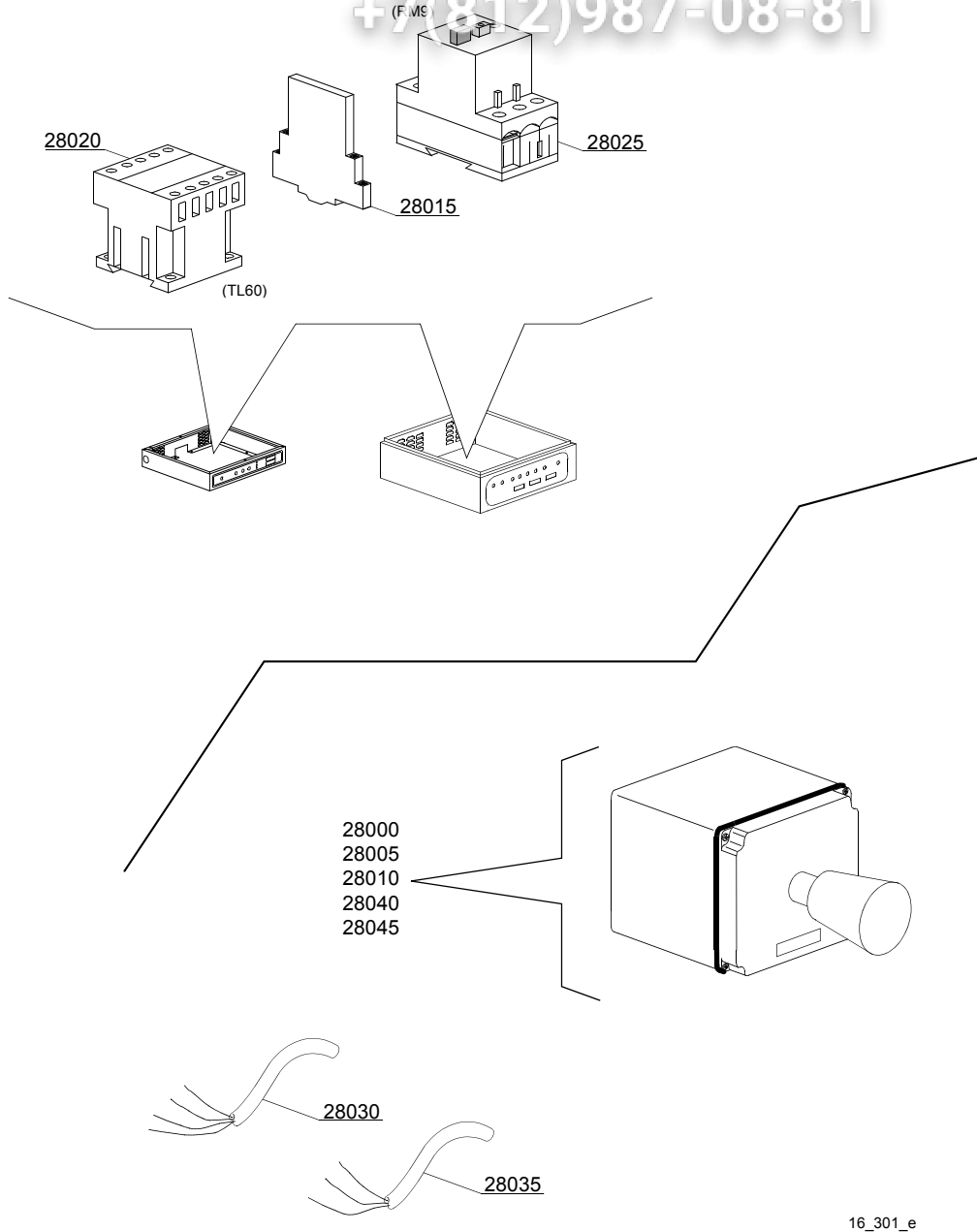
34HS=34HS

sc8=STEAM CONDENSER - LC 81, csa=CONVEYOR SPEED ADJUSTING - LC 101, 972=90°MOTORIZED CHAIN CONVEYOR - LC 97/2, 973=180°MOTORIZED CHAIN CONVEYOR - LC 97/3, 974=DRYER WITH 90° MOTORIZED CHAIN CONVEYOR - LC 97/4, 975=DRYER WITH 180° MOTORIZED CHAIN CONVEYOR - LC 97/5, d8=DRYER - LC 80, cw=ADDITIONAL BOILER FOR COLD WATER SUPPLY, dvgw=DVGW VALVE SYSTEM, wfa=WATER FLOW ADJUSTING, szc8=SPLASH ZONE WITH CILINDER - LC 84, sz8=SPLASH ZONE - LC 83, ti=TANK INSULATION, ds=DOUBLE SKIN, bp=BOOSTER PUMP, sdn3=DISPENSER SYSTEM SDN-3, 98=ANGLE LOADING TABLE - LC 98, res=RINSE ECONOMIZER SYSTEM

A=3/N/PE~380-400V 50-60Hz, D=3/PE~200-210V 50-60Hz, F=2/PE~220-240V 50-60Hz, G=3/N/PE~415V 50-60Hz, H=3/PE~220-230V 50-60Hz, K=3/PE~380-400V 50-60Hz, L=3/PE~415V 50-60Hz, M=3/PE~440V 60Hz, P=1/N/PE~220-230V 50-60Hz, R=2/PE~220-240V 50-60Hz, U=1/N/PE~240V 50-60Hz, V=3/PE~240V 50-60Hz, W=1/N/PE~100-110V 50-60Hz

vsezip.ru

+7(812)987-08-81



16\_301\_e

| ID   | P-code  | SN from | SN to | Mod   | Acces. | Volt | Description                                |
|--|---------|---------|-------|-------|--------|------|--|
| <b>Module: Motorized curve 180° - LC 97/3: electric parts</b>  |         |         |       |       |        |      |  |
| <b>[210,220,230,240,250,300,300LC,310,310LC,380,380LC,400,440,440LC,510,510LC,540,540LC,BX230,BX300]</b> |         |         |       |       |        |      |  |
| 28000  | 3000264 |         | -     | em,uw |        |      | Emergency box                              |
| 28005  | 3000263 |         | -     | em,uw |        |      | Emergency switch                           |
| 28010  | 3002059 |         | -     | em,uw |        |      | 1R contact                                 |
| 28015  | 3006080 |         | -     | em,uw |        |      | Auxiliary contact LMS25                    |
| 28020  | 2000370 |         | -     | em,uw |        |      | Contacteur MC9                             |
| 28025  | 2000390 |         | -     | em,uw |        |      | Motorprotector 1 - 1.6A                    |
| 28025  | 2000389 |         | -     | em,uw |        |      | Motorprotector 0,63 - 1A (vers.400 VaC 3N) |
| 28030  | 3006134 |         | -     | em,uw |        |      | Flame-retardant cable 4x1,5mm              |
| 28040  | 3000266 |         | -     | em,uw |        |      | Male connector with support                |
| 28045  | 3000267 |         | -     | em,uw |        |      | Female connector with support              |

em=ELECTROMECHANICAL SWITCHES, uw=LOWER AND UPPER WASHER

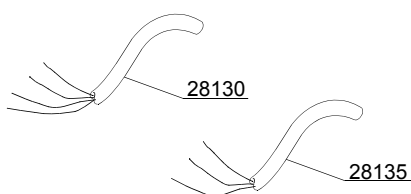
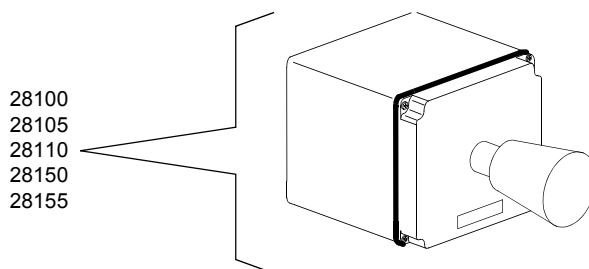
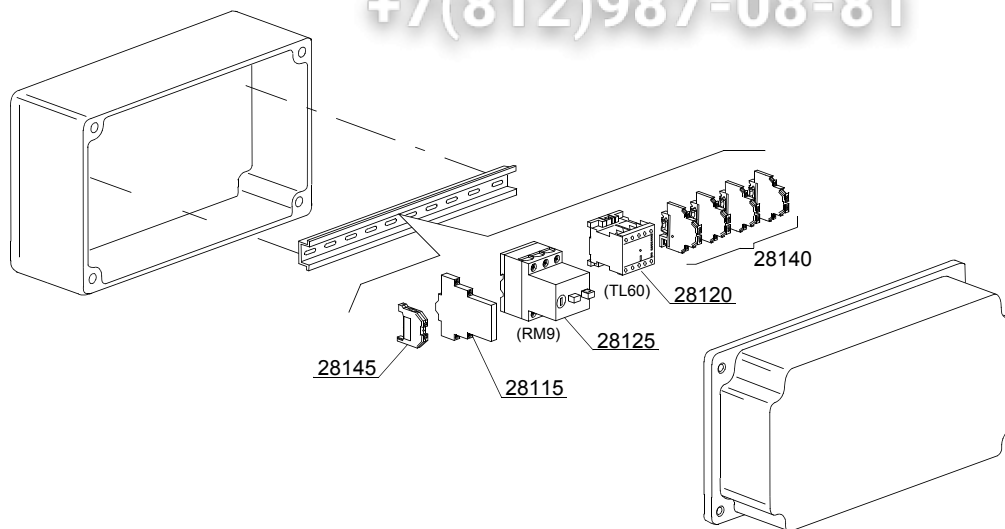
34HS=34HS

sc8=STEAM CONDENSER - LC 81, csa=CONVEYOR SPEED ADJUSTING - LC 101, 972=90°MOTORIZED CHAIN CONVEYOR - LC 97/2, 973=180°MOTORIZED CHAIN CONVEYOR - LC 97/3, 974=DRYER WITH 90° MOTORIZED CHAIN CONVEYOR - LC 97/4, 975=DRYER WITH 180° MOTORIZED CHAIN CONVEYOR - LC 97/5, d8=DRYER - LC 80, cw=ADDITIONAL BOILER FOR COLD WATER SUPPLY, dvgw=DVGW VALVE SYSTEM, wfa=WATER FLOW ADJUSTING, szc8=SPLASH ZONE WITH CILINDER - LC 84, sz8=SPLASH ZONE - LC 83, ti=TANK INSULATION, ds=DOUBLE SKIN, bp=BOOSTER PUMP, sdn3=DISPENSER SYSTEM SDN-3, 98=ANGLE LOADING TABLE - LC 98, res=RINSE ECONOMIZER SYSTEM

A=3/N/PE~380-400V 50-60Hz, D=3/PE~200-210V 50-60Hz, F=2/PE~220-240V 50-60Hz, G=3/N/PE~415V 50-60Hz, H=3/PE~220-230V 50-60Hz, K=3/PE~380-400V 50-60Hz, L=3/PE~415V 50-60Hz, M=3/PE~440V 60Hz, P=1/N/PE~220-230V 50-60Hz, R=2/PE~220-240V 50-60Hz, U=1/N/PE~240V 50-60Hz, V=3/PE~240V 50-60Hz, W=1/N/PE~100-110V 50-60Hz

vsezip.ru

+7(812)987-08-81



16\_302\_e

| ID   | P-code   | SN from | SN to | Mod.  | Acces. | Volt | Description                                |
|--|----------|---------|-------|-------|--------|------|--|
| <b>Module: Motorized curve 180° - LC 97/3: electric parts, single speed - remote control [51,10]</b> |          |         |       |       |        |      |  |
| 28100  | 3000264  |         | -     | em,uw |        |      | Emergency box                              |
| 28105  | 3000263  |         | -     | em,uw |        |      | Emergency switch                           |
| 28110  | 3002059  |         | -     | em,uw |        |      | 1R contact                                 |
| 28115  | 3006080  |         | -     | em,uw |        |      | Auxiliary contact LMS25                    |
| 28120  | 2000370  |         | -     | em,uw |        |      | Contactora MC9                             |
| 28125  | 2000390  |         | -     | em,uw |        |      | Motorprotector 1 - 1.6A                    |
| 28125  | 2000389  |         | -     | em,uw |        |      | Motorprotector 0,63 - 1A (vers.400 VaC 3N) |
| 28130  | 3006134  |         | -     | em,uw |        |      | Flame-retardant cable 4x1,5mm              |
| 28140  | 3006092  |         | -     | em,uw |        |      | Clamp 4mm <sup>2</sup>                     |
| 28145  | 10300401 |         | -     | em,uw |        |      | Earth clamp 4mm <sup>2</sup>               |
| 28150  | 3000266  |         | -     | em,uw |        |      | Male connector with support                |
| 28155  | 3000267  |         | -     | em,uw |        |      | Female connector with support              |

em=ELECTROMECHANICAL SWITCHES, uw=LOWER AND UPPER WASHER

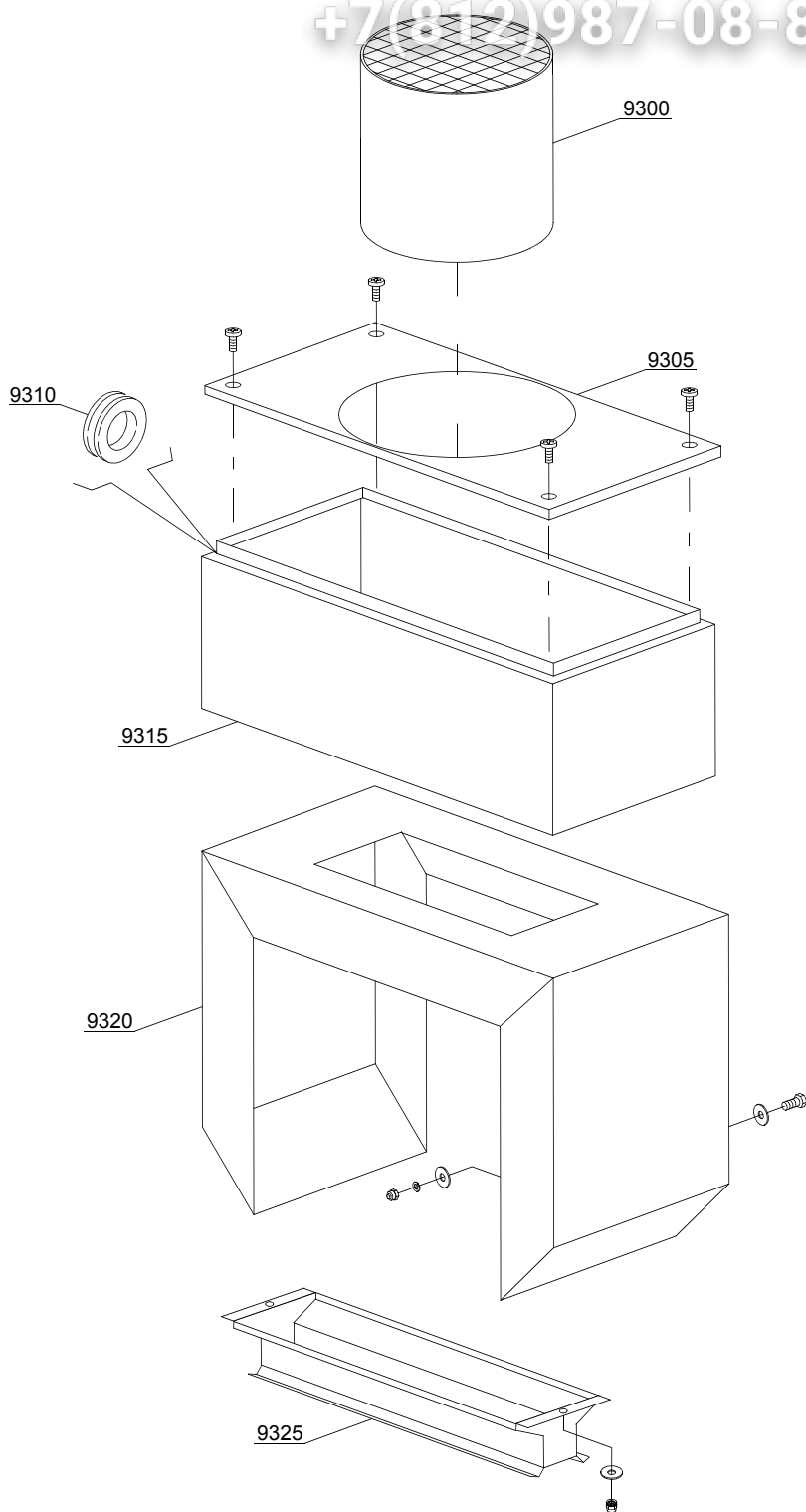
34HS=34HS

sc8=STEAM CONDENSER - LC 81, csa=CONVEYOR SPEED ADJUSTING - LC 101, 972=90°MOTORIZED CHAIN CONVEYOR - LC 97/2, 973=180°MOTORIZED CHAIN CONVEYOR - LC 97/3, 974=DRYER WITH 90° MOTORIZED CHAIN CONVEYOR - LC 97/4, 975=DRYER WITH 180° MOTORIZED CHAIN CONVEYOR - LC 97/5, d8=DRYER - LC 80, cw=ADDITIONAL BOILER FOR COLD WATER SUPPLY, dvgw=DVGW VALVE SYSTEM, wfa=WATER FLOW ADJUSTING, szc8=SPLASH ZONE WITH CILINDER - LC 84, sz8=SPLASH ZONE - LC 83, ti=TANK INSULATION, ds=DOUBLE SKIN, bp=BOOSTER PUMP, sdn3=DISPENSER SYSTEM SDN-3, 98=ANGLE LOADING TABLE - LC 98, res=RINSE ECONOMIZER SYSTEM

A=3/N/PE~380-400V 50-60Hz, D=3/PE~200-210V 50-60Hz, F=2/PE~220-240V 50-60Hz, G=3/N/PE~415V 50-60Hz, H=3/PE~220-230V 50-60Hz, K=3/PE~380-400V 50-60Hz, L=3/PE~415V 50-60Hz, M=3/PE~440V 60Hz, P=1/N/PE~220-230V 50-60Hz, R=2/PE~220-240V 50-60Hz, U=1/N/PE~240V 50-60Hz, V=3/PE~240V 50-60Hz, W=1/N/PE~100-110V 50-60Hz

vsezip.ru

+7(812)987-08-81



17\_001\_e



vsezip.ru

| ID   | P-code  | SN from | SN to | Mod   | Acces | Volt | Description     |
|--|---------|---------|-------|-------|-------|------|-----------------|
| <b>Module: Steam condenser LC81 - part 1 [151]</b> |         |         |       |       |       |      |                 |
| 9300   | 3009573 |         | -     | em,uw |       |      | Chimney         |
| 9305   | 3009472 |         | -     | em,uw |       |      | Cover with hole |
| 9310   | 13329   |         | -     | em,uw |       |      | Fairlead        |
| 9315   | 3009577 |         | -     | em,uw |       |      | Complete body   |
| 9320   | 3009579 |         | -     | em,uw |       |      | Jet top         |
| 9325   | 3009543 |         | -     | em,uw |       |      | Suction group   |

em=ELECTROMECHANICAL SWITCHES, uw=LOWER AND UPPER WASHER

34HS=34HS

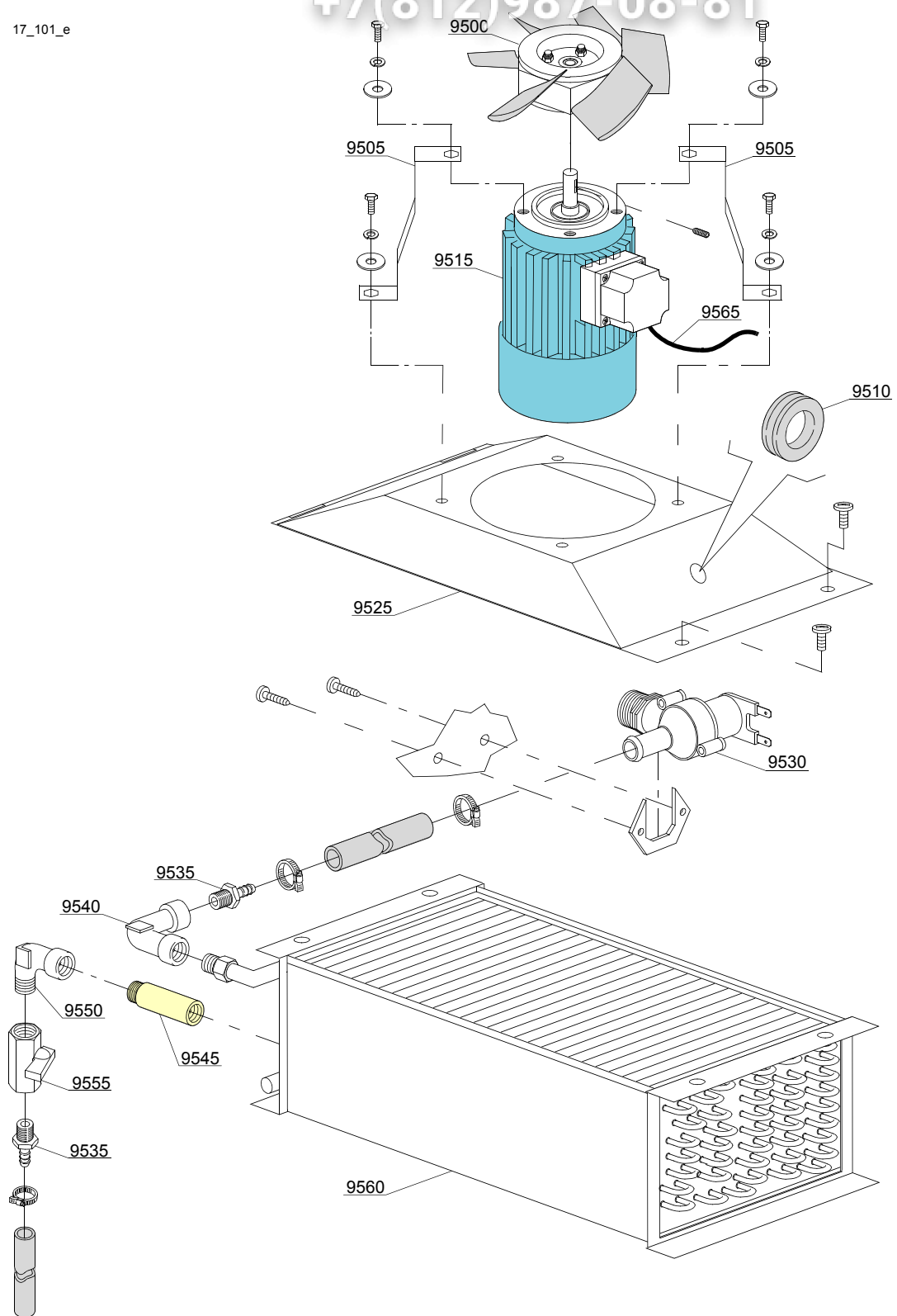
sc8=STEAM CONDENSER - LC 81, csa=CONVEYOR SPEED ADJUSTING - LC 101, 972=90°MOTORIZED CHAIN CONVEYOR - LC 97/2, 973=180°MOTORIZED CHAIN CONVEYOR - LC 97/3, 974=DRYER WITH 90° MOTORIZED CHAIN CONVEYOR - LC 97/4, 975=DRYER WITH 180° MOTORIZED CHAIN CONVEYOR - LC 97/5, d8=DRYER - LC 80, cw=ADDITIONAL BOILER FOR COLD WATER SUPPLY, dvgw=DVGW VALVE SYSTEM, wfa=WATER FLOW ADJUSTING, szc8=SPLASH ZONE WITH CILINDER - LC 84, sz8=SPLASH ZONE - LC 83, ti=TANK INSULATION, ds=DOUBLE SKIN, bp=BOOSTER PUMP, sdn3=DISPENSER SYSTEM SDN-3, 98=ANGLE LOADING TABLE - LC 98, res=RINSE ECONOMIZER SYSTEM

A=3/N/PE~380-400V 50-60Hz, D=3/PE~200-210V 50-60Hz, F=2/PE~220-240V 50-60Hz, G=3/N/PE~415V 50-60Hz, H=3/PE~220-230V 50-60Hz, K=3/PE~380-400V 50-60Hz, L=3/PE~415V 50-60Hz, M=3/PE~440V 60Hz, P=1/N/PE~220-230V 50-60Hz, R=2/PE~220-240V 50-60Hz, U=1/N/PE~240V 50-60Hz, V=3/PE~240V 50-60Hz, W=1/N/PE~100-110V 50-60Hz

vsezip.ru

+7(812)987-08-81

17\_101\_e



| ID   | P-code  | SN from | SN to | Mod.  | Acces. | Volt | Description                     |
|--|---------|---------|-------|-------|--------|------|---------------------------------|
| <b>Module: Steam condenser LC81 / TR81 - part 2 [15]</b> |         |         |       |       |        |      |                                 |
| 9500   | 3000124 |         | -     | em,uw |        |      | Impeller fan                    |
| 9505   | 3009551 |         | -     | em,uw |        |      | Motor holder                    |
| 9510   | 13329   |         | -     | em,uw |        |      | Fairlead                        |
| 9515   | 3000123 |         | -     | em,uw |        | A    | Motor - 0,12KW 2P 230/400V 50HZ |
| 9525   | 3009583 |         | -     | em,uw |        |      | Steam condenser base            |
| 9530   | 2000093 |         | -     | em,uw |        |      | Single solenoid valve           |
| 9535   | 12023   |         | -     | em,uw |        |      | Hose holder                     |
| 9540   | 3002139 |         | -     | em,uw |        |      | Elbow                           |
| 9545   | 3002176 |         | -     | em,uw |        |      | Extension                       |
| 9550   | 12035   |         | -     | em,uw |        |      | Elbow                           |
| 9555   | 3002140 |         | -     | em,uw |        |      | Tap                             |
| 9560   | 3000155 |         | -     | em,uw |        |      | Heating recovery battery        |
| 9565   | 15184   |         | -     | em,uw |        |      | Cable                           |

em=ELECTROMECHANICAL SWITCHES, uw=LOWER AND UPPER WASHER

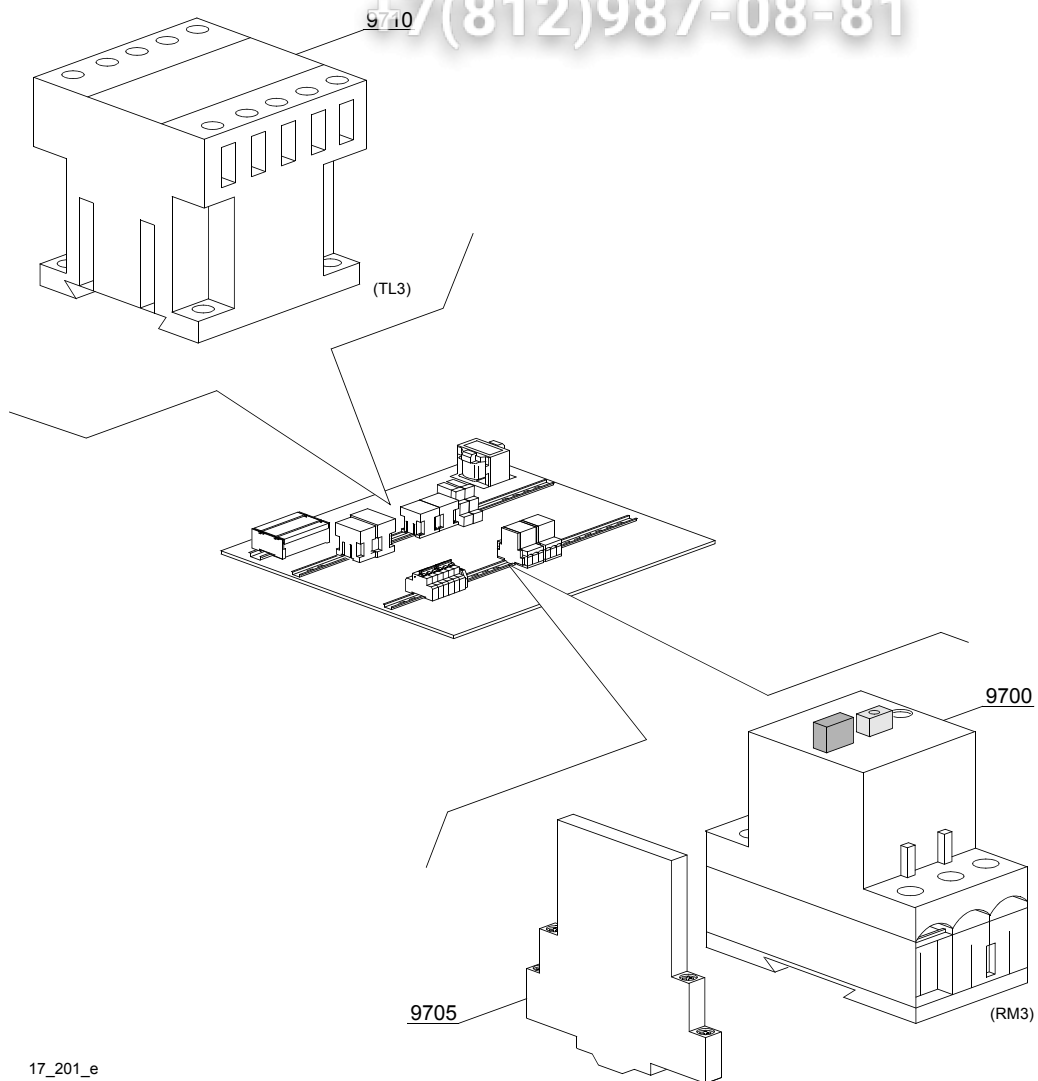
34HS=34HS

sc8=STEAM CONDENSER - LC 81, csa=CONVEYOR SPEED ADJUSTING - LC 101, 972=90°MOTORIZED CHAIN CONVEYOR - LC 97/2, 973=180°MOTORIZED CHAIN CONVEYOR - LC 97/3, 974=DRYER WITH 90° MOTORIZED CHAIN CONVEYOR - LC 97/4, 975=DRYER WITH 180° MOTORIZED CHAIN CONVEYOR - LC 97/5, d8=DRYER - LC 80, cw=ADDITIONAL BOILER FOR COLD WATER SUPPLY, dvgw=DVGW VALVE SYSTEM, wfa=WATER FLOW ADJUSTING, szc8=SPLASH ZONE WITH CILINDER - LC 84, sz8=SPLASH ZONE - LC 83, ti=TANK INSULATION, ds=DOUBLE SKIN, bp=BOOSTER PUMP, sdn3=DISPENSER SYSTEM SDN-3, 98=ANGLE LOADING TABLE - LC 98, res=RINSE ECONOMIZER SYSTEM

A=3/N/PE~380-400V 50-60Hz, D=3/PE~200-210V 50-60Hz, F=2/PE~220-240V 50-60Hz, G=3/N/PE~415V 50-60Hz, H=3/PE~220-230V 50-60Hz, K=3/PE~380-400V 50-60Hz, L=3/PE~415V 50-60Hz, M=3/PE~440V 60Hz, P=1/N/PE~220-230V 50-60Hz, R=2/PE~220-240V 50-60Hz, U=1/N/PE~240V 50-60Hz, V=3/PE~240V 50-60Hz, W=1/N/PE~100-110V 50-60Hz

vsezip.ru

+7(812)987-08-81



17\_201\_e

vsezip.ru

| ID   | P-code  | SN from | SN to | Mod.  | Acces. | Volt | Description             |
|--|---------|---------|-------|-------|--------|------|-------------------------|
| <b>Module: Steam condenser LC81 - part 3 [151]</b> |         |         |       |       |        |      |                         |
| 9700   | 2000390 |         | -     | em,uw |        | A    | Motorprotector 1 - 1.6A |
| 9705   | 3006080 |         | -     | em,uw |        | A    | Auxiliary contact LMS25 |
| 9710   | 2000370 |         | -     | em,uw |        | A    | Contactora MC9          |

em=ELECTROMECHANICAL SWITCHES, uw=LOWER AND UPPER WASHER

34HS=34HS

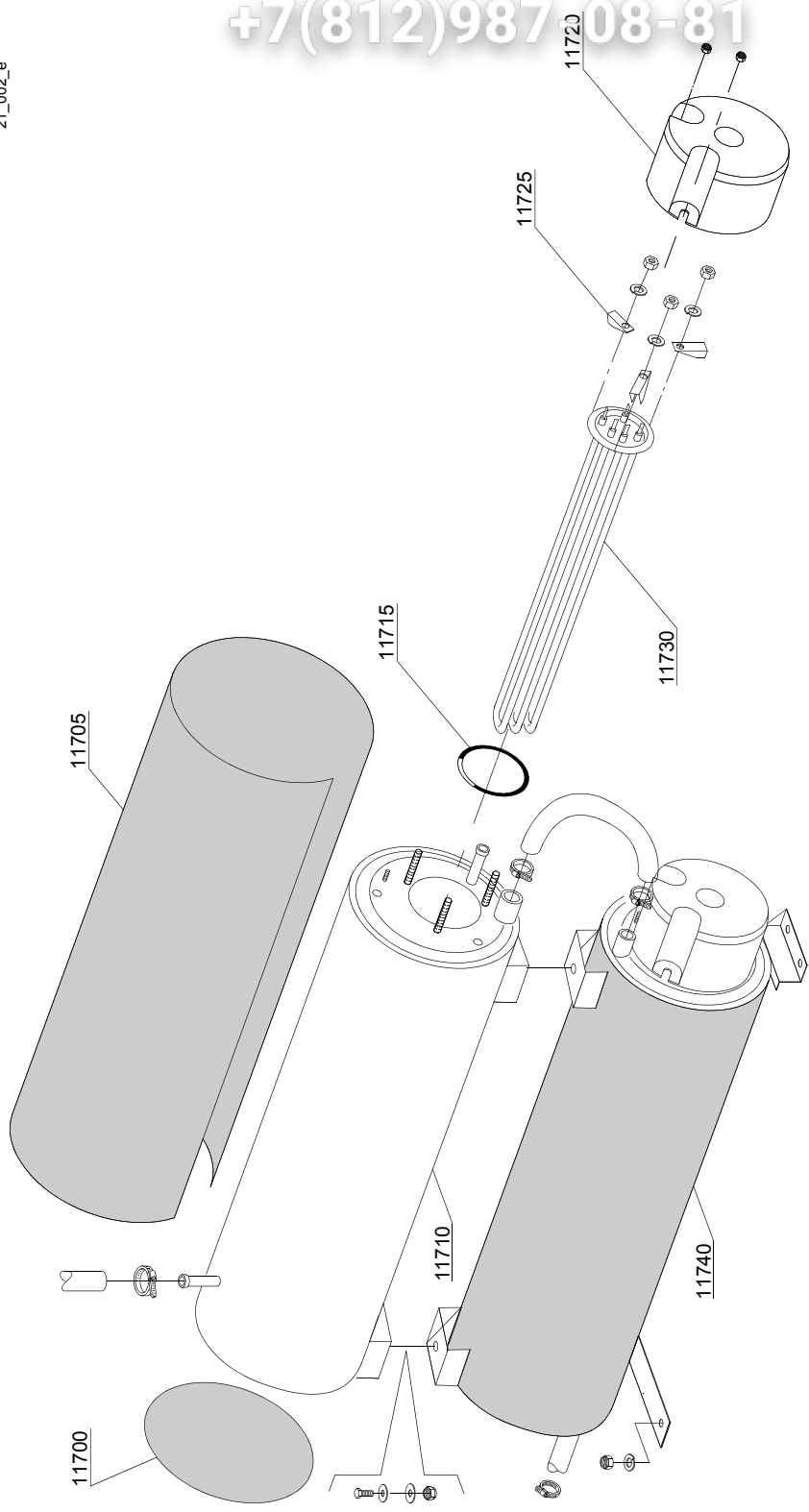
sc8=STEAM CONDENSER - LC 81, csa=CONVEYOR SPEED ADJUSTING - LC 101, 972=90°MOTORIZED CHAIN CONVEYOR - LC 97/2, 973=180°MOTORIZED CHAIN CONVEYOR - LC 97/3, 974=DRYER WITH 90° MOTORIZED CHAIN CONVEYOR - LC 97/4, 975=DRYER WITH 180° MOTORIZED CHAIN CONVEYOR - LC 97/5, d8=DRYER - LC 80, cw=ADDITIONAL BOILER FOR COLD WATER SUPPLY, dvgw=DVGW VALVE SYSTEM, wfa=WATER FLOW ADJUSTING, szc8=SPLASH ZONE WITH CILINDER - LC 84, sz8=SPLASH ZONE - LC 83, ti=TANK INSULATION, ds=DOUBLE SKIN, bp=BOOSTER PUMP, sdn3=DISPENSER SYSTEM SDN-3, 98=ANGLE LOADING TABLE - LC 98, res=RINSE ECONOMIZER SYSTEM

A=3/N/PE~380-400V 50-60Hz, D=3/PE~200-210V 50-60Hz, F=2/PE~220-240V 50-60Hz, G=3/N/PE~415V 50-60Hz, H=3/PE~220-230V 50-60Hz, K=3/PE~380-400V 50-60Hz, L=3/PE~415V 50-60Hz, M=3/PE~440V 60Hz, P=1/N/PE~220-230V 50-60Hz, R=2/PE~220-240V 50-60Hz, U=1/N/PE~240V 50-60Hz, V=3/PE~240V 50-60Hz, W=1/N/PE~100-110V 50-60Hz

vsezip.ru

+7(812)987 08-81

21\_002\_e



vsezip.ru

| ID  | P-code     | SN from | SN to | Mod.  | Acces. | Volt | Description                  |
|---|------------|---------|-------|-------|--------|------|------------------------------|
| <b>Module: Additional boiler components [151,160,210]</b> |            |         |       |       |        |      |                              |
| 11700   | 75205      |         | -     | em,uw |        |      | Bottom boiler insulating     |
| 11705   | 30002030   |         | -     | em,uw |        |      | Boiler insulating            |
| 11710   | 3007013    |         | -     | em,uw |        |      | Upper Boiler                 |
| 11715   | 13015      |         | -     | em,uw |        |      | O-ring 160 (6225)            |
| 11720   | 75311      |         | -     | em,uw |        |      | Heating element cover        |
| 11725   | 16045      |         | -     | em,uw |        |      | Heating element support Ø6,3 |
| 11730   | 30001011   |         | -     | em,uw |        | A    | Heating element 9kW          |
| 11730   | 30001011/A |         | -     | em,uw |        | A    | Heating element 12kW         |
| 11730   | 30001011/B |         | -     | em,uw |        | A    | Heating element 14kW         |
| 11740   | 3007012    |         | -     | em,uw |        |      | Low Boiler                   |

em=ELECTROMECHANICAL SWITCHES, uw=LOWER AND UPPER WASHER

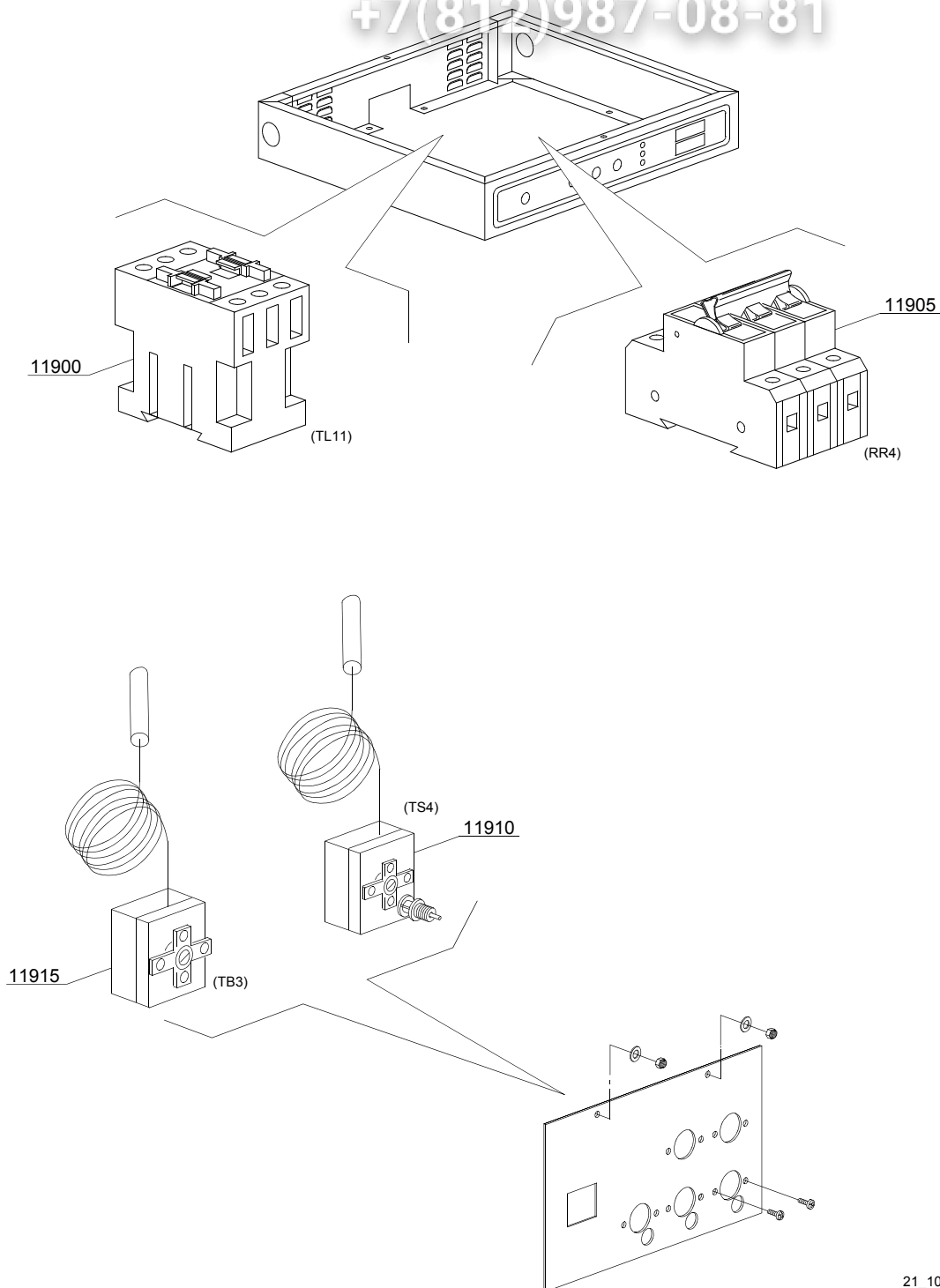
34HS=34HS

sc8=STEAM CONDENSER - LC 81, csa=CONVEYOR SPEED ADJUSTING - LC 101, 972=90°MOTORIZED CHAIN CONVEYOR - LC 97/2, 973=180°MOTORIZED CHAIN CONVEYOR - LC 97/3, 974=DRYER WITH 90° MOTORIZED CHAIN CONVEYOR - LC 97/4, 975=DRYER WITH 180° MOTORIZED CHAIN CONVEYOR - LC 97/5, d8=DRYER - LC 80, cw=ADDITIONAL BOILER FOR COLD WATER SUPPLY, dvgw=DVGW VALVE SYSTEM, wfa=WATER FLOW ADJUSTING, szc8=SPLASH ZONE WITH CILINDER - LC 84, sz8=SPLASH ZONE - LC 83, ti=TANK INSULATION, ds=DOUBLE SKIN, bp=BOOSTER PUMP, sdn3=DISPENSER SYSTEM SDN-3, 98=ANGLE LOADING TABLE - LC 98, res=RINSE ECONOMIZER SYSTEM

A=3/N/PE~380-400V 50-60Hz, D=3/PE~200-210V 50-60Hz, F=2/PE~220-240V 50-60Hz, G=3/N/PE~415V 50-60Hz, H=3/PE~220-230V 50-60Hz, K=3/PE~380-400V 50-60Hz, L=3/PE~415V 50-60Hz, M=3/PE~440V 60Hz, P=1/N/PE~220-230V 50-60Hz, R=2/PE~220-240V 50-60Hz, U=1/N/PE~240V 50-60Hz, V=3/PE~240V 50-60Hz, W=1/N/PE~100-110V 50-60Hz

vsezip.ru

+7(812)987-08-81



21\_102\_e



| ID  | P-code  | SN from | SN to | Mod.  | Acces. | Volt | Description                                 |
|---|---------|---------|-------|-------|--------|------|---|
| <b>Module: Additional boiler: electical components [15, 16, 21, 20, 23, 24]</b> |         |         |       |       |        |      |   |
| 11900   | 2000380 |         | -     | em,uw |        | A    | Contactora BF12 (heating element < 9 kW)    |
| 11900   | 2000385 |         | -     | em,uw |        | A    | Contactora BF20 (heating element > 9 kW)    |
| 11905   | 2000403 |         | -     | em,uw |        | A    | Automatic fuse C20 (heating element < 9 kW) |
| 11905   | 2000404 |         | -     | em,uw |        | A    | Automatic fuse C25 (heating element > 9 kW) |
| 11910   | 2000430 |         | -     | em,uw |        |      | Safety thermostat                           |
| 11915   | 10707/1 |         | -     | em,uw |        |      | Thermostat 0 - 90° (TB2)                    |

em=ELECTROMECHANICAL SWITCHES, uw=LOWER AND UPPER WASHER

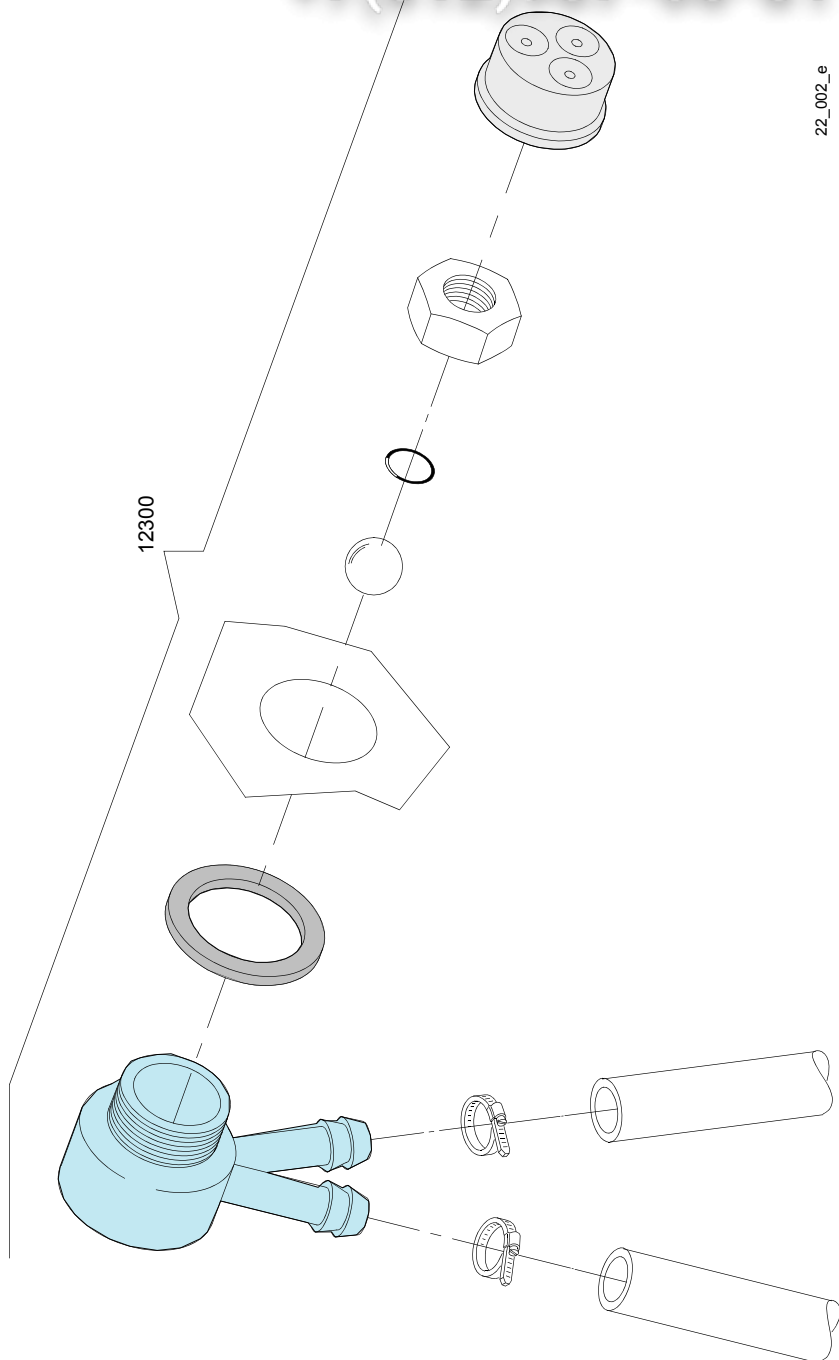
34HS=34HS

sc8=STEAM CONDENSER - LC 81, csa=CONVEYOR SPEED ADJUSTING - LC 101, 972=90°MOTORIZED CHAIN CONVEYOR - LC 97/2, 973=180°MOTORIZED CHAIN CONVEYOR - LC 97/3, 974=DRYER WITH 90° MOTORIZED CHAIN CONVEYOR - LC 97/4, 975=DRYER WITH 180° MOTORIZED CHAIN CONVEYOR - LC 97/5, d8=DRYER - LC 80, cw=ADDITIONAL BOILER FOR COLD WATER SUPPLY, dvgw=DVGW VALVE SYSTEM, wfa=WATER FLOW ADJUSTING, szc8=SPLASH ZONE WITH CILINDER - LC 84, sz8=SPLASH ZONE - LC 83, ti=TANK INSULATION, ds=DOUBLE SKIN, bp=BOOSTER PUMP, sdn3=DISPENSER SYSTEM SDN-3, 98=ANGLE LOADING TABLE - LC 98, res=RINSE ECONOMIZER SYSTEM

A=3/N/PE~380-400V 50-60Hz, D=3/PE~200-210V 50-60Hz, F=2/PE~220-240V 50-60Hz, G=3/N/PE~415V 50-60Hz, H=3/PE~220-230V 50-60Hz, K=3/PE~380-400V 50-60Hz, L=3/PE~415V 50-60Hz, M=3/PE~440V 60Hz, P=1/N/PE~220-230V 50-60Hz, R=2/PE~220-240V 50-60Hz, U=1/N/PE~240V 50-60Hz, V=3/PE~240V 50-60Hz, W=1/N/PE~100-110V 50-60Hz

vsezip.ru

+7(812)987-08-81



vsezip.ru

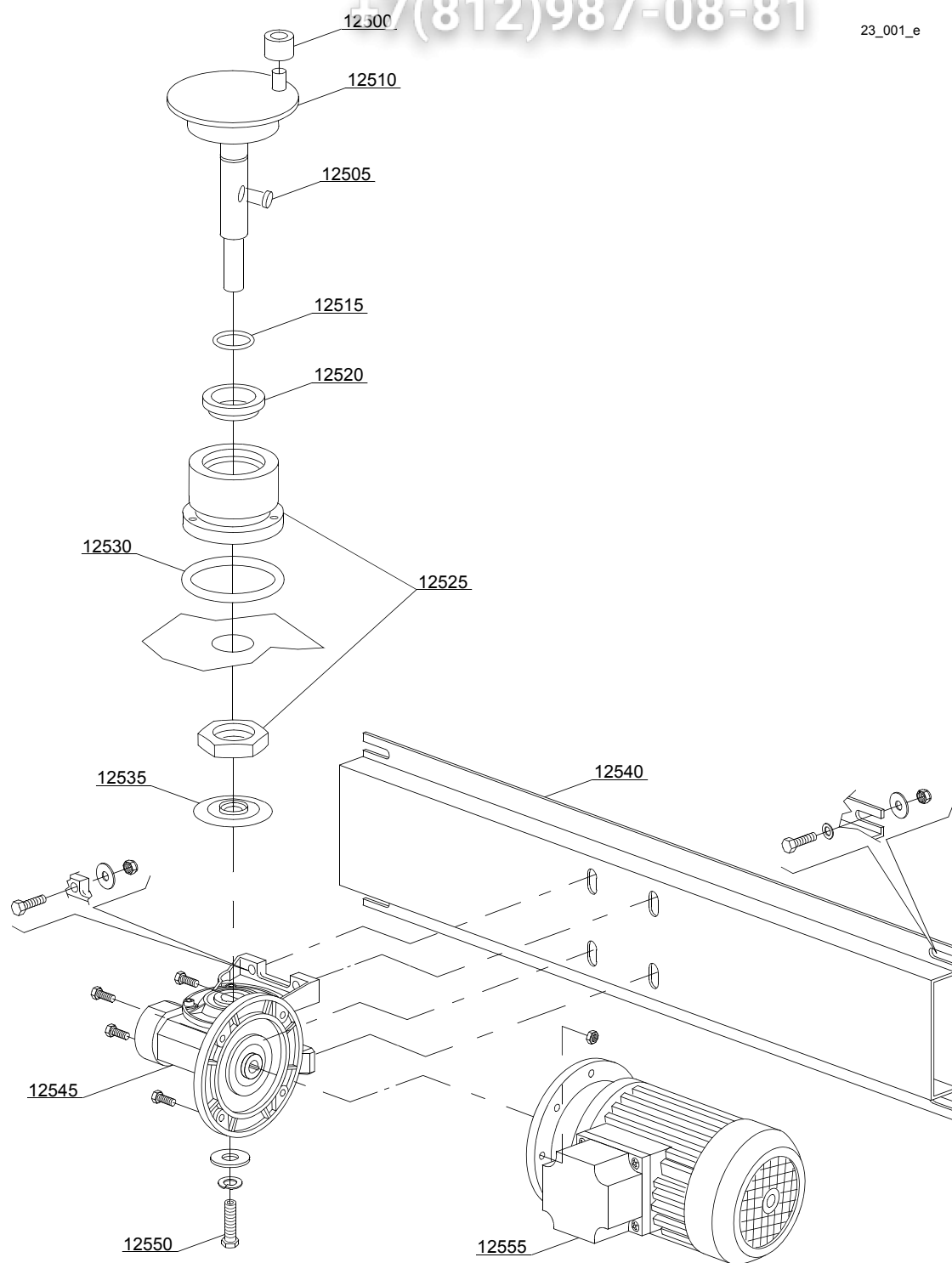
| ID   | P-code    | SN from | SN to | Mod.  | Acces. | Volt | Description           |
|--|-----------|---------|-------|-------|--------|------|-----------------------|
| <b>Module: DVGW valve</b>  |           |         |       |       |        |      |                       |
| <b>[151,160,210,220,230,240,250,300,300LC,310,310LC,380,380LC,400,440,440LC,510,510LC,540,540LC,BX230,BX300]</b> |           |         |       |       |        |      |                       |
| 12300  | 999900006 |         | -     | em,uw |        |      | DVGW valvola assembly |

em=ELECTROMECHANICAL SWITCHES, uw=LOWER AND UPPER WASHER

34HS=34HS

sc8=STEAM CONDENSER - LC 81, csa=CONVEYOR SPEED ADJUSTING - LC 101, 972=90°MOTORIZED CHAIN CONVEYOR - LC 97/2, 973=180°MOTORIZED CHAIN CONVEYOR - LC 97/3, 974=DRYER WITH 90° MOTORIZED CHAIN CONVEYOR - LC 97/4, 975=DRYER WITH 180° MOTORIZED CHAIN CONVEYOR - LC 97/5, d8=DRYER - LC 80, cw=ADDITIONAL BOILER FOR COLD WATER SUPPLY, dvgw=DVGW VALVE SYSTEM, wfa=WATER FLOW ADJUSTING, szc8=SPLASH ZONE WITH CILINDER - LC 84, sz8=SPLASH ZONE - LC 83, ti=TANK INSULATION, ds=DOUBLE SKIN, bp=BOOSTER PUMP, sdn3=DISPENSER SYSTEM SDN-3, 98=ANGLE LOADING TABLE - LC 98, res=RINSE ECONOMIZER SYSTEM

A=3/N/PE~380-400V 50-60Hz, D=3/PE~200-210V 50-60Hz, F=2/PE~220-240V 50-60Hz, G=3/N/PE~415V 50-60Hz, H=3/PE~220-230V 50-60Hz, K=3/PE~380-400V 50-60Hz, L=3/PE~415V 50-60Hz, M=3/PE~440V 60Hz, P=1/N/PE~220-230V 50-60Hz, R=2/PE~220-240V 50-60Hz, U=1/N/PE~240V 50-60Hz, V=3/PE~240V 50-60Hz, W=1/N/PE~100-110V 50-60Hz



vsezip.ru

| ID                                       | P-code  | SN from | SN to | Mod.  | Acces. | Volt | Description                                    |
|--|---------|---------|-------|-------|--------|------|--|
| <b>Module:Motorgear components [151]</b> |         |         |       |       |        |      |  |
| 12500                                    | 3003012 |         | -     | em,uw |        |      | Conveyor roller                                |
| 12505                                    | 2001046 |         | -     | em,uw |        |      | Key  |
| 12510                                    | 3003116 |         | -     | em,uw |        |      | Crank shaft                                    |
| 12515                                    | 13023   |         | -     | em,uw |        |      | O-ring 131 (4093)                              |
| 12520                                    | 13024   |         | -     | em,uw |        |      | Oil splash guard DEM 40 TC 30x42x7 with spring |
| 12525                                    | 3004132 |         | -     | em,uw |        |      | Coupling part serie                            |
| 12530                                    | 13015   |         | -     | em,uw |        |      | O-ring 160 (6225)                              |
| 12535                                    | 3004161 |         | -     | em,uw |        |      | Protection disk                                |
| 12540                                    | 3009060 |         | -     | em,uw |        |      | Motorgear support                              |
| 12545                                    | 3000214 |         | -     | em,uw |        |      | Gear right 1:45 (60Hz)                         |
| 12545                                    | 3000215 |         | -     | em,uw |        |      | Gear left 1:45 (60Hz)                          |
| 12550                                    | 11165   |         | -     | em,uw |        |      | Screw  |
| 12555                                    | 3000110 |         | -     | em,uw |        | A    | Conveyor motor - 6/8P 400/415V 50Hz            |

em=ELECTROMECHANICAL SWITCHES, uw=LOWER AND UPPER WASHER

34HS=34HS

sc8=STEAM CONDENSER - LC 81, csa=CONVEYOR SPEED ADJUSTING - LC 101, 972=90°MOTORIZED CHAIN CONVEYOR - LC 97/2, 973=180°MOTORIZED CHAIN CONVEYOR - LC 97/3, 974=DRYER WITH 90° MOTORIZED CHAIN CONVEYOR - LC 97/4, 975=DRYER WITH 180° MOTORIZED CHAIN CONVEYOR - LC 97/5, d8=DRYER - LC 80, cw=ADDITIONAL BOILER FOR COLD WATER SUPPLY, dvgw=DVGW VALVE SYSTEM, wfa=WATER FLOW ADJUSTING, szc8=SPLASH ZONE WITH CILINDER - LC 84, sz8=SPLASH ZONE - LC 83, ti=TANK INSULATION, ds=DOUBLE SKIN, bp=BOOSTER PUMP, sdn3=DISPENSER SYSTEM SDN-3, 98=ANGLE LOADING TABLE - LC 98, res=RINSE ECONOMIZER SYSTEM

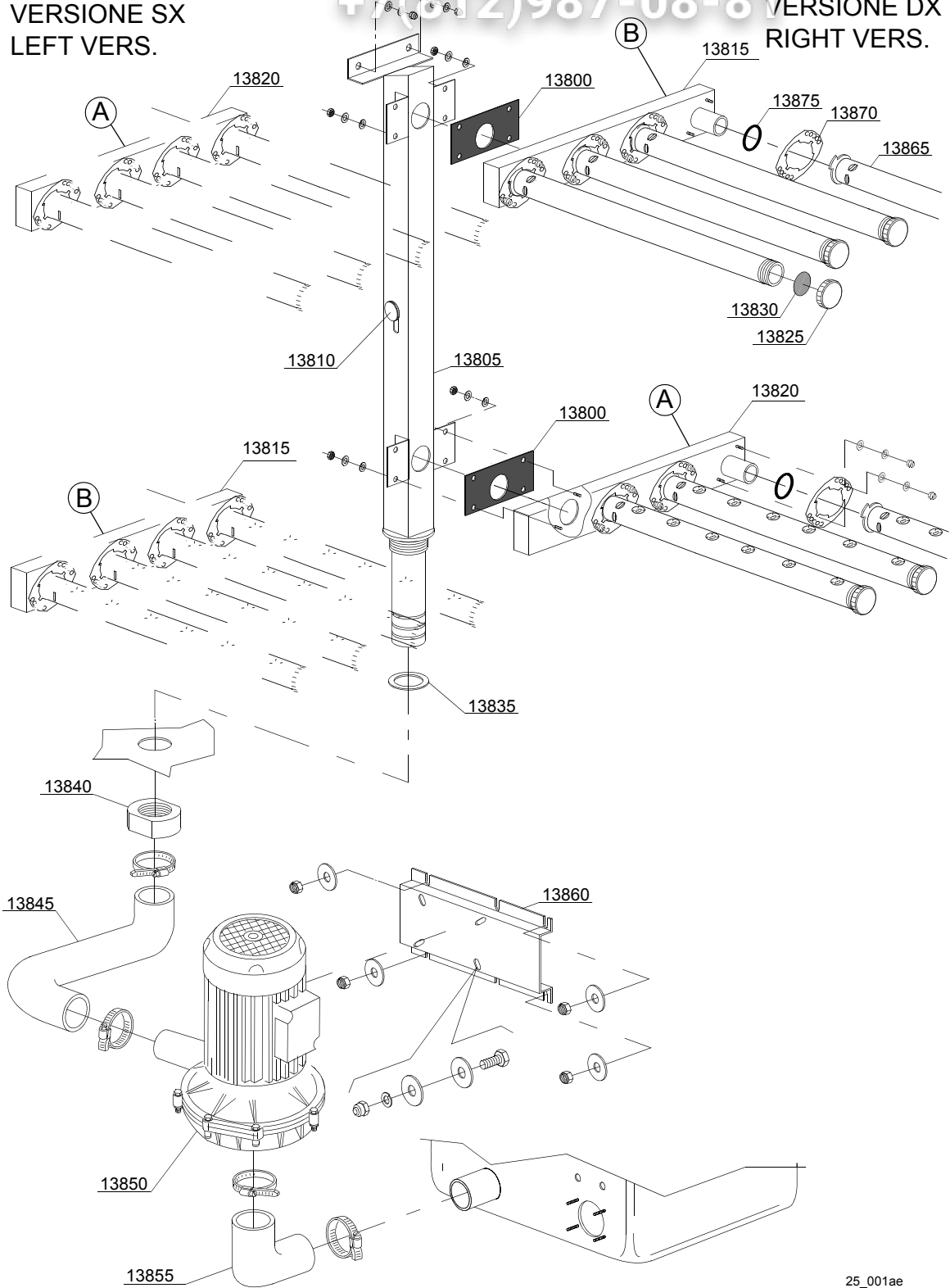
A=3/N/PE~380-400V 50-60Hz, D=3/PE~200-210V 50-60Hz, F=2/PE~220-240V 50-60Hz, G=3/N/PE~415V 50-60Hz, H=3/PE~220-230V 50-60Hz, K=3/PE~380-400V 50-60Hz, L=3/PE~415V 50-60Hz, M=3/PE~440V 60Hz, P=1/N/PE~220-230V 50-60Hz, R=2/PE~220-240V 50-60Hz, U=1/N/PE~240V 50-60Hz, V=3/PE~240V 50-60Hz, W=1/N/PE~100-110V 50-60Hz

vsezip.ru

+7(812)987-08-81

VERSIONE SX  
LEFT VERS.

VERSIONE DX  
RIGHT VERS.



25\_001ae

| ID  | P-code     | SN from | SN to | Mod.  | Acces. | Volt | Description               |
|---|------------|---------|-------|-------|--------|------|---------------------------|
| <b>Module: Washing components 4+4 [151]</b> |            |         |       |       |        |      |                           |
| 13800                                       | 3004172    | 5007451 | -     | em,uw |        |      | Gasket                    |
| 13805                                       | 3004169    | 5007451 | -     | em,uw |        |      | Wash ramp                 |
| 13810                                       | 15207      | 5007451 | -     | em,uw |        |      | Water flow adjuster       |
| 13815                                       | 3004173    | 5007451 | -     | em,uw |        |      | Top wash group            |
| 13820                                       | 3004170    | 5007451 | -     | em,uw |        |      | Lower wash group          |
| 13825                                       | 80304      | 5007451 | -     | em,uw |        |      | Arm plug                  |
| 13830                                       | 80305      | 5007451 | -     | em,uw |        |      | Gasket                    |
| 13835                                       | 10200173/A | 5007451 | -     | em,uw |        |      | Gasket 75x58x3            |
| 13840                                       | 5210798    | 5007451 | -     | em,uw |        |      | Flat nut                  |
| 13845                                       | 3004083    | 5007451 | -     | em,uw |        |      | Elbow coupling, press.    |
| 13850                                       | 22037      | 5007451 | -     | em,uw |        | A    | Pump 1.5 kW               |
| 13850                                       | 22037/3    | 5007451 | -     | em,uw |        | H    | Pump 1.5 kW - 60 Hz       |
| 13855                                       | 5210578    | 5007451 | -     | em,uw |        |      | Suction elbow coupling    |
| 13860                                       | 3009148    | 5007451 | -     | em,uw |        |      | Pump support              |
| 13865                                       | 3004171    | 5007451 | -     | em,uw |        |      | Wash arm                  |
| 13870                                       | 3060182    | 5007451 | -     | em,uw |        |      | Arm connection flange     |
| 13875                                       | 13028      | 5007451 | -     | em,uw |        |      | OR Gasket 3,6x30,8x38 R23 |

em=ELECTROMECHANICAL SWITCHES, uw=LOWER AND UPPER WASHER

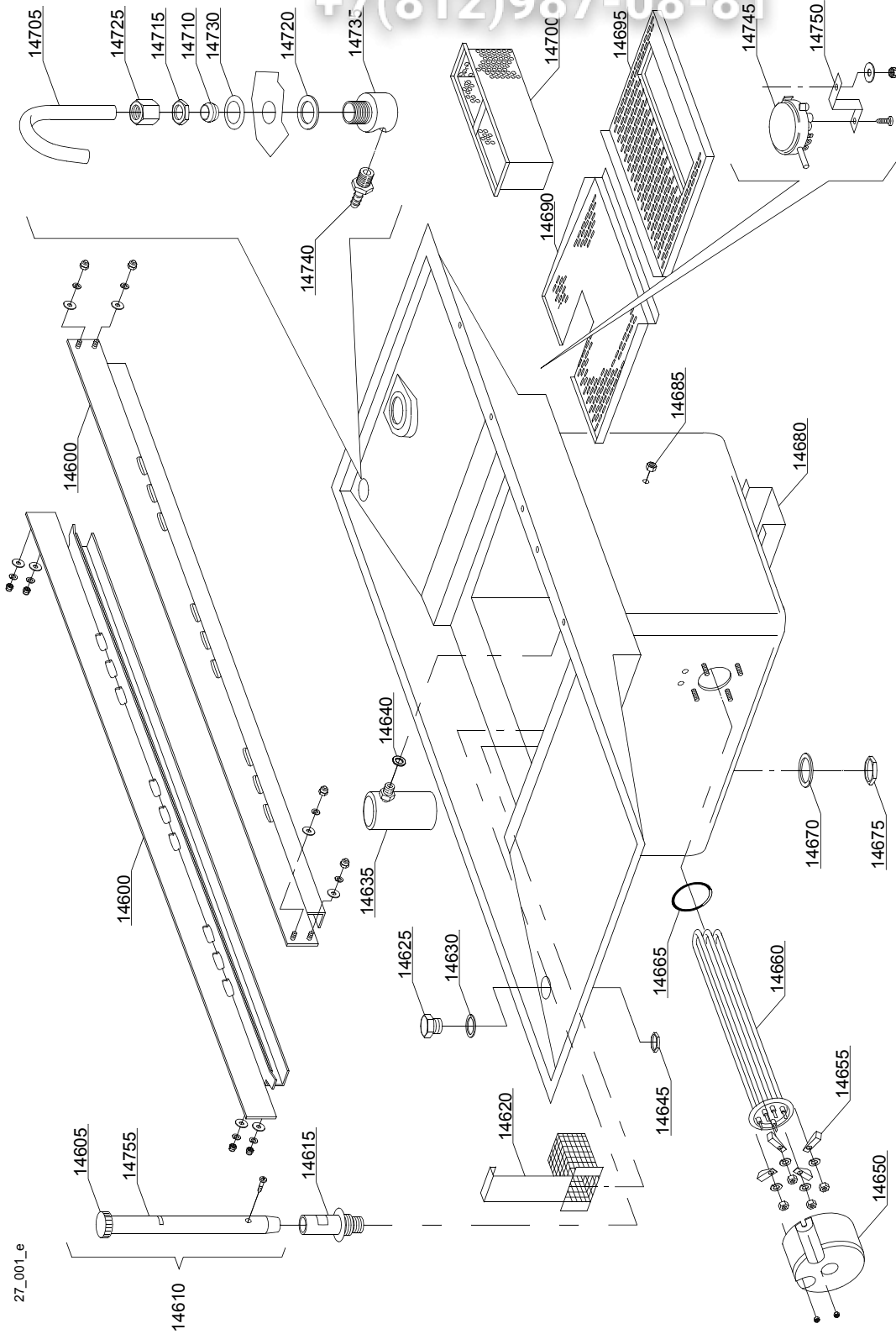
34HS=34HS

sc8=STEAM CONDENSER - LC 81, csa=CONVEYOR SPEED ADJUSTING - LC 101, 972=90°MOTORIZED CHAIN CONVEYOR - LC 97/2, 973=180°MOTORIZED CHAIN CONVEYOR - LC 97/3, 974=DRYER WITH 90° MOTORIZED CHAIN CONVEYOR - LC 97/4, 975=DRYER WITH 180° MOTORIZED CHAIN CONVEYOR - LC 97/5, d8=DRYER - LC 80, cw=ADDITIONAL BOILER FOR COLD WATER SUPPLY, dvgw=DVGW VALVE SYSTEM, wfa=WATER FLOW ADJUSTING, szc8=SPLASH ZONE WITH CILINDER - LC 84, sz8=SPLASH ZONE - LC 83, ti=TANK INSULATION, ds=DOUBLE SKIN, bp=BOOSTER PUMP, sdn3=DISPENSER SYSTEM SDN-3, 98=ANGLE LOADING TABLE - LC 98, res=RINSE ECONOMIZER SYSTEM

A=3/N/PE~380-400V 50-60Hz, D=3/PE~200-210V 50-60Hz, F=2/PE~220-240V 50-60Hz, G=3/N/PE~415V 50-60Hz, H=3/PE~220-230V 50-60Hz, K=3/PE~380-400V 50-60Hz, L=3/PE~415V 50-60Hz, M=3/PE~440V 60Hz, P=1/N/PE~220-230V 50-60Hz, R=2/PE~220-240V 50-60Hz, U=1/N/PE~240V 50-60Hz, V=3/PE~240V 50-60Hz, W=1/N/PE~100-110V 50-60Hz

vsezip.ru

+7(812)987-08-81



27\_001\_e



| ID                                       | P-code     | SN from | SN to | Mod.  | Acces | Volt | Description                  |
|--|------------|---------|-------|-------|-------|------|------------------------------|
| <b>Module: Internal components [151]</b> |            |         |       |       |       |      |                              |
| 14600                                    | 3009050    |         | -     | em,uw |       |      | Basket-slide bar             |
| 14605                                    | 88105      |         | -     | em,uw |       |      | Overflow pipe plug           |
| 14610                                    | 3004115    |         | -     | em,uw |       |      | Overflow pipe assembly       |
| 14615                                    | 3004099    |         | -     | em,uw |       |      | Overflow device support      |
| 14620                                    | 3019071    |         | -     | em,uw |       |      | Pump suction-filter          |
| 14625                                    | 3004087    |         | -     | em,uw |       |      | Plug for tank                |
| 14630                                    | 13326      |         | -     | em,uw |       |      | Gasket 38x27x2               |
| 14635                                    | 80106      |         | -     | em,uw |       |      | Air trap                     |
| 14640                                    | 13301      |         | -     | em,uw |       |      | Gasket ROLMART 14x8x1.5      |
| 14645                                    | 2200103    |         | -     | em,uw |       |      | Nut                          |
| 14650                                    | 75311      |         | -     | em,uw |       |      | Heating element cover        |
| 14655                                    | 16045      |         | -     | em,uw |       |      | Heating element support Ø6.3 |
| 14660                                    | 30001011   |         | -     | em,uw |       | A    | Heating element 9kW          |
| 14660                                    | 30001011/A |         | -     | em,uw |       | A    | Heating element 9kW          |
| 14665                                    | 13015      |         | -     | em,uw |       |      | O-ring 160 (6225)            |
| 14670                                    | 10200173   |         | -     | em,uw |       |      | Gasket 75x58x3               |
| 14675                                    | 10600012   |         | -     | em,uw |       |      | Flat nut                     |
| 14680                                    | 3009461    |         | -     | em,uw |       |      | Tank support                 |
| 14685                                    | 11702      |         | -     | em,uw |       |      | Nut                          |
| 14690                                    | 3009464    |         | -     | em,uw |       |      | Semi-filter                  |
| 14695                                    | 3019074    |         | -     | em,uw |       |      | Strainer plate front         |
| 14700                                    | 3019065    |         | -     | em,uw |       |      | Scrap tray                   |
| 14705                                    | 3004054    |         | -     | em,uw |       |      | Inlet pipe                   |
| 14710                                    | 10200182   |         | -     | em,uw |       |      | Cone                         |
| 14715                                    | 10200101   |         | -     | em,uw |       |      | Nut                          |
| 14720                                    | 10200171   |         | -     | em,uw |       |      | Gasket FASIT 25x17x2         |
| 14725                                    | 10600016   |         | -     | em,uw |       |      | Nut                          |
| 14730                                    | 3009387    |         | -     | em,uw |       |      | Washer                       |

em=ELECTROMECHANICAL SWITCHES, uw=LOWER AND UPPER WASHER

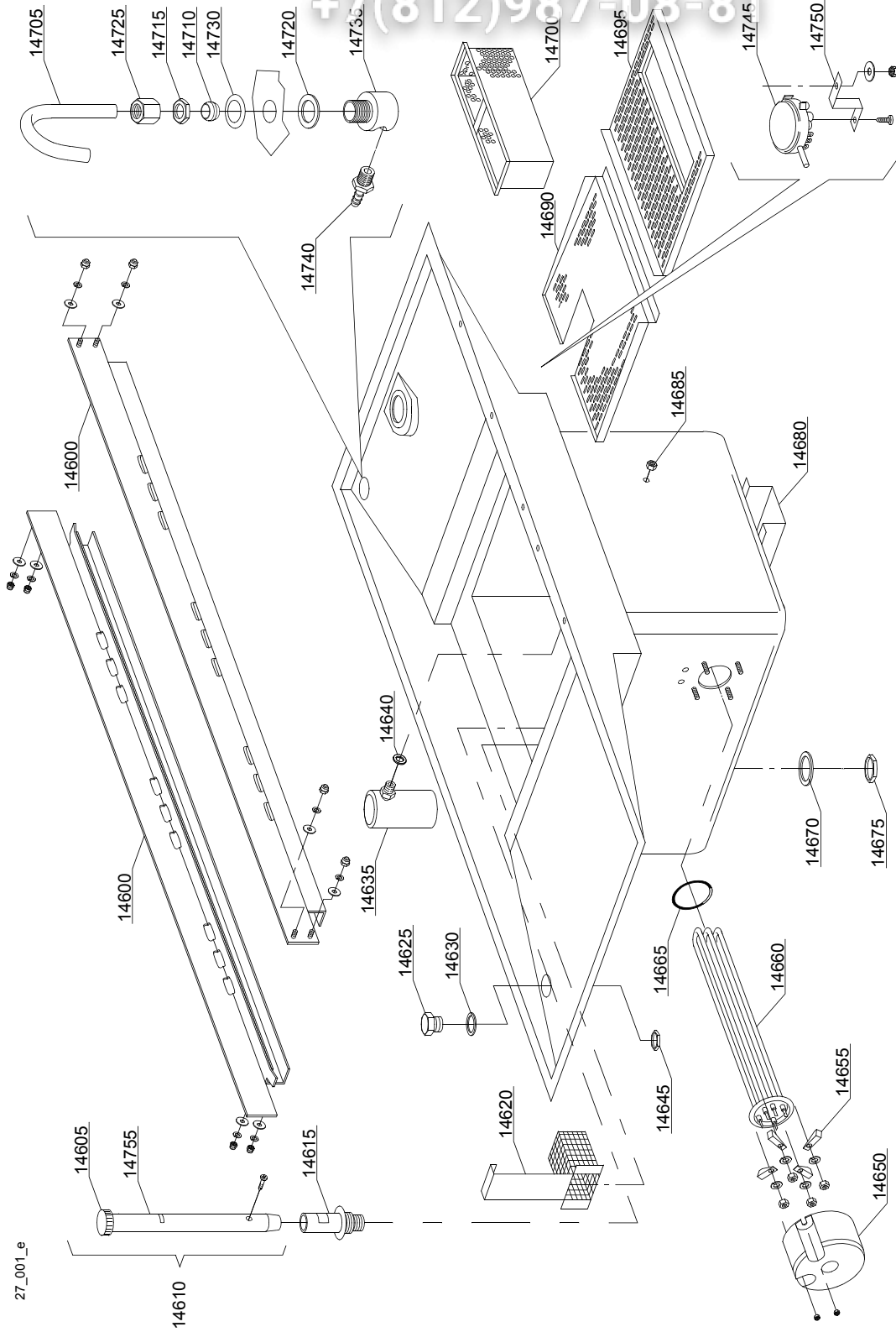
34HS=34HS

sc8=STEAM CONDENSER - LC 81, csa=CONVEYOR SPEED ADJUSTING - LC 101, 972=90°MOTORIZED CHAIN CONVEYOR - LC 97/2, 973=180°MOTORIZED CHAIN CONVEYOR - LC 97/3, 974=DRYER WITH 90° MOTORIZED CHAIN CONVEYOR - LC 97/4, 975=DRYER WITH 180° MOTORIZED CHAIN CONVEYOR - LC 97/5, d8=DRYER - LC 80, cw=ADDITIONAL BOILER FOR COLD WATER SUPPLY, dvgw=DVGW VALVE SYSTEM, wfa=WATER FLOW ADJUSTING, szc8=SPLASH ZONE WITH CILINDER - LC 84, sz8=SPLASH ZONE - LC 83, ti=TANK INSULATION, ds=DOUBLE SKIN, bp=BOOSTER PUMP, sdn3=DISPENSER SYSTEM SDN-3, 98=ANGLE LOADING TABLE - LC 98, res=RINSE ECONOMIZER SYSTEM

A=3/N/PE~380-400V 50-60Hz, D=3/PE~200-210V 50-60Hz, F=2/PE~220-240V 50-60Hz, G=3/N/PE~415V 50-60Hz, H=3/PE~220-230V 50-60Hz, K=3/PE~380-400V 50-60Hz, L=3/PE~415V 50-60Hz, M=3/PE~440V 60Hz, P=1/N/PE~220-230V 50-60Hz, R=2/PE~220-240V 50-60Hz, U=1/N/PE~240V 50-60Hz, V=3/PE~240V 50-60Hz, W=1/N/PE~100-110V 50-60Hz

vsezip.ru

+7(812)987-08-81



vsezip.ru

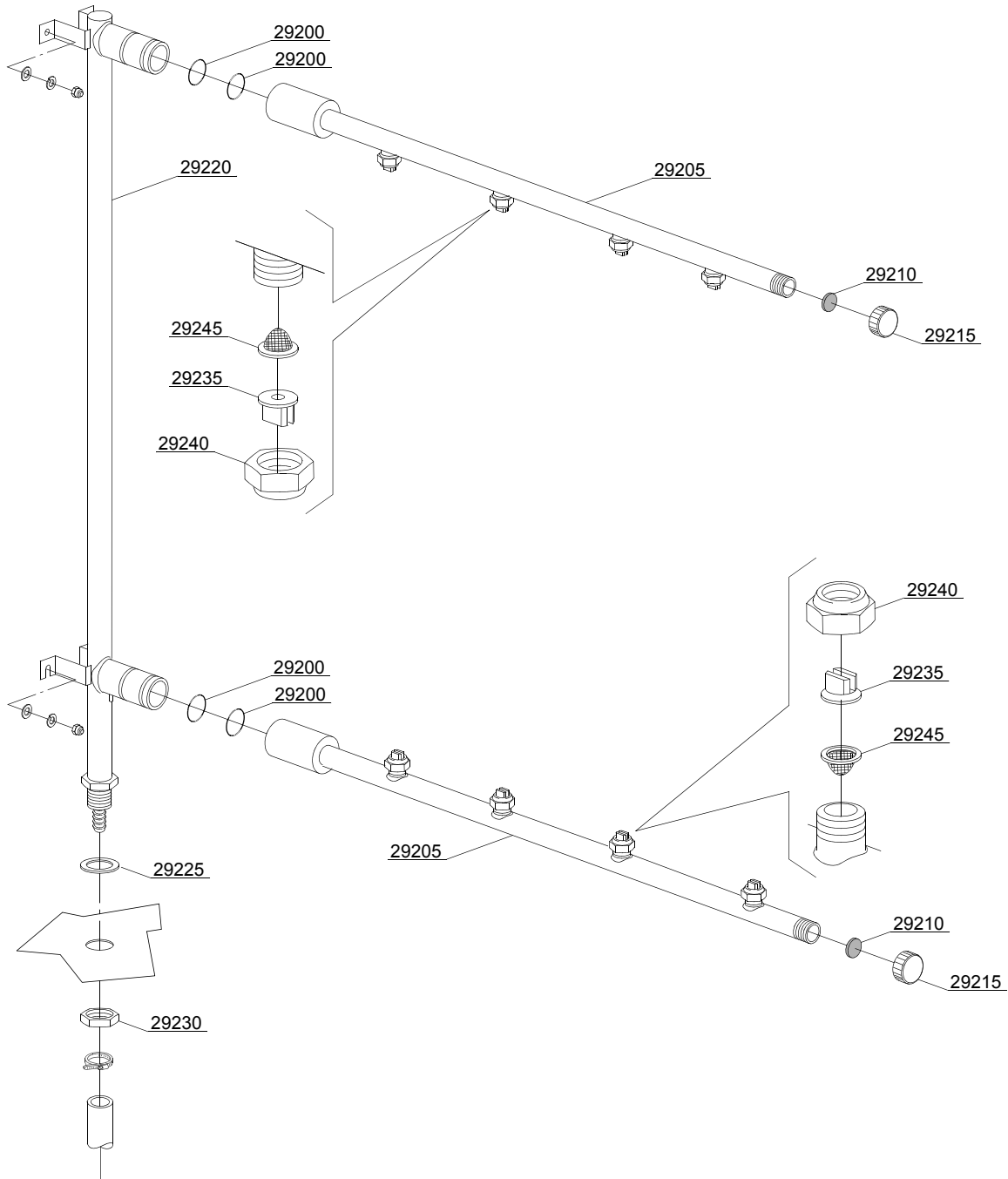
| ID                                       | P-code  | SN from | SN to | Mod.  | Acces | Volt | Description              |
|--|---------|---------|-------|-------|-------|------|--------------------------|
| <b>Module: Internal components [151]</b> |         |         |       |       |       |      |                          |
| 14735                                    | 80231   |         | -     | em,uw |       |      | Fitting                  |
| 14740                                    | 12005   |         | -     | em,uw |       |      | Hose holder              |
| 14745                                    | 88110   |         | -     | em,uw |       |      | Pressure switch (260-30) |
| 14750                                    | 3009363 |         |       | em,uw |       |      | Pressure switch support  |
| 14755                                    | 2000477 |         |       | em,uw |       |      | Overflow pipe            |

em=ELECTROMECHANICAL SWITCHES, uw=LOWER AND UPPER WASHER

34HS=34HS

sc8=STEAM CONDENSER - LC 81, csa=CONVEYOR SPEED ADJUSTING - LC 101, 972=90°MOTORIZED CHAIN CONVEYOR - LC 97/2, 973=180°MOTORIZED CHAIN CONVEYOR - LC 97/3, 974=DRYER WITH 90° MOTORIZED CHAIN CONVEYOR - LC 97/4, 975=DRYER WITH 180° MOTORIZED CHAIN CONVEYOR - LC 97/5, d8=DRYER - LC 80, cw=ADDITIONAL BOILER FOR COLD WATER SUPPLY, dvgw=DVGW VALVE SYSTEM, wfa=WATER FLOW ADJUSTING, szc8=SPLASH ZONE WITH CILINDER - LC 84, sz8=SPLASH ZONE - LC 83, ti=TANK INSULATION, ds=DOUBLE SKIN, bp=BOOSTER PUMP, sdn3=DISPENSER SYSTEM SDN-3, 98=ANGLE LOADING TABLE - LC 98, res=RINSE ECONOMIZER SYSTEM

A=3/N/PE~380-400V 50-60Hz, D=3/PE~200-210V 50-60Hz, F=2/PE~220-240V 50-60Hz, G=3/N/PE~415V 50-60Hz, H=3/PE~220-230V 50-60Hz, K=3/PE~380-400V 50-60Hz, L=3/PE~415V 50-60Hz, M=3/PE~440V 60Hz, P=1/N/PE~220-230V 50-60Hz, R=2/PE~220-240V 50-60Hz, U=1/N/PE~240V 50-60Hz, V=3/PE~240V 50-60Hz, W=1/N/PE~100-110V 50-60Hz



vsezip.ru

| ID                                     | P-code  | SN from | SN to | Mod.  | Acces. | Volt | Description          |
|--|---------|---------|-------|-------|--------|------|----------------------|
| <b>Module:Rinsing components [151]</b> |         |         |       |       |        |      |                      |
| 29200                                  | 13025   |         | -     | em,uw |        |      | O-ring 2081          |
| 29205                                  | 3003080 |         | -     | em,uw |        |      | Rinsing arm 4n       |
| 29210                                  | 2002051 |         | -     | em,uw |        |      | Gasket EPDM 17.5x1.5 |
| 29215                                  | 2002054 |         | -     | em,uw |        |      | Plug for arm         |
| 29220                                  | 3003950 |         | -     | em,uw |        |      | Rinsing ramp         |
| 29220                                  | 3003954 |         | -     | em,uw |        |      | Rinsing ramp         |
| 29225                                  | 13326   |         | -     | em,uw |        |      | Gasket 38x27x2       |
| 29230                                  | 2200103 |         | -     | em,uw |        |      | Nut                  |
| 29235                                  | 2200114 |         | -     | em,uw |        |      | Nozzle               |
| 29240                                  | 2200116 |         | -     | em,uw |        |      | Nut                  |
| 29245                                  | 2200117 |         | -     | em,uw |        |      | Filter               |

em=ELECTROMECHANICAL SWITCHES, uw=LOWER AND UPPER WASHER

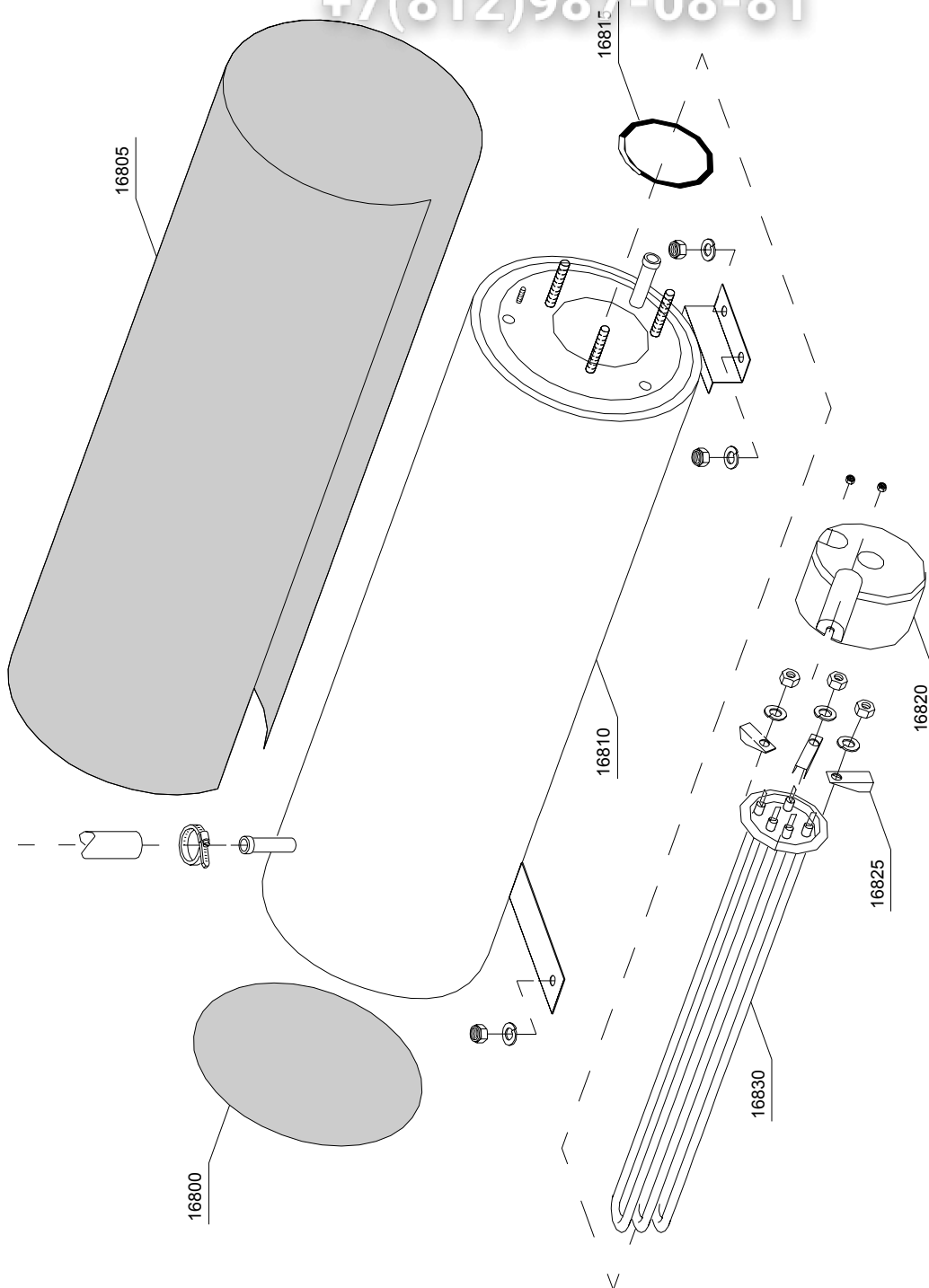
34HS=34HS

sc8=STEAM CONDENSER - LC 81, csa=CONVEYOR SPEED ADJUSTING - LC 101, 972=90°MOTORIZED CHAIN CONVEYOR - LC 97/2, 973=180°MOTORIZED CHAIN CONVEYOR - LC 97/3, 974=DRYER WITH 90° MOTORIZED CHAIN CONVEYOR - LC 97/4, 975=DRYER WITH 180° MOTORIZED CHAIN CONVEYOR - LC 97/5, d8=DRYER - LC 80, cw=ADDITIONAL BOILER FOR COLD WATER SUPPLY, dvgw=DVGW VALVE SYSTEM, wfa=WATER FLOW ADJUSTING, szc8=SPLASH ZONE WITH CILINDER - LC 84, sz8=SPLASH ZONE - LC 83, ti=TANK INSULATION, ds=DOUBLE SKIN, bp=BOOSTER PUMP, sdn3=DISPENSER SYSTEM SDN-3, 98=ANGLE LOADING TABLE - LC 98, res=RINSE ECONOMIZER SYSTEM

A=3/N/PE~380-400V 50-60Hz, D=3/PE~200-210V 50-60Hz, F=2/PE~220-240V 50-60Hz, G=3/N/PE~415V 50-60Hz, H=3/PE~220-230V 50-60Hz, K=3/PE~380-400V 50-60Hz, L=3/PE~415V 50-60Hz, M=3/PE~440V 60Hz, P=1/N/PE~220-230V 50-60Hz, R=2/PE~220-240V 50-60Hz, U=1/N/PE~240V 50-60Hz, V=3/PE~240V 50-60Hz, W=1/N/PE~100-110V 50-60Hz

vsezip.ru

+7(812)987-08-81



28\_201\_e

| ID  | P-code     | SN from | SN to | Mod.  | Acces. | Volt | Description                  |
|---|------------|---------|-------|-------|--------|------|------------------------------|
| <b>Module:Boiler components [151,160,210,220,230,240]</b> |            |         |       |       |        |      |                              |
| 16800   | 75205      |         | -     | em,uw |        |      | Bottom boiler insulating     |
| 16805   | 30002030   |         | -     | em,uw |        |      | Boiler insulating            |
| 16810   | 3007014    |         | -     | em,uw |        |      | Single inferior Boiler       |
| 16815   | 13015      |         | -     | em,uw |        |      | O-ring 160 (6225)            |
| 16820   | 75311      |         | -     | em,uw |        |      | Heating element cover        |
| 16825   | 16045      |         | -     | em,uw |        |      | Heating element support Ø6.3 |
| 16830   | 30001011   |         | -     | em,uw |        | A    | Heating element 9kW          |
| 16830   | 30001011/A |         | -     | em,uw |        | A    | Heating element 12kW         |
| 16830   | 30001011/B |         | -     | em,uw |        | A    | Heating element 14kW         |

em=ELECTROMECHANICAL SWITCHES, uw=LOWER AND UPPER WASHER

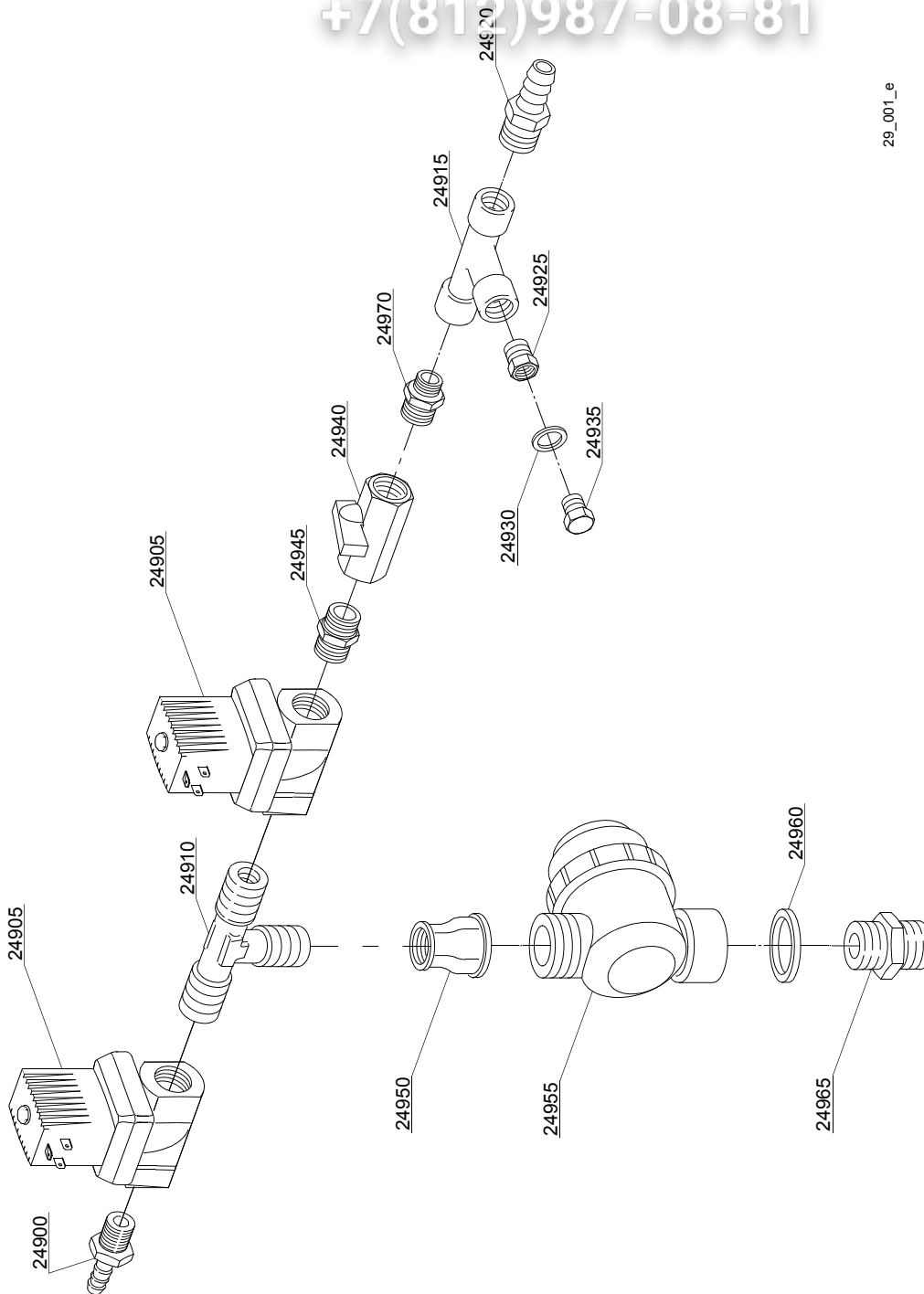
34HS=34HS

sc8=STEAM CONDENSER - LC 81, csa=CONVEYOR SPEED ADJUSTING - LC 101, 972=90°MOTORIZED CHAIN CONVEYOR - LC 97/2, 973=180°MOTORIZED CHAIN CONVEYOR - LC 97/3, 974=DRYER WITH 90° MOTORIZED CHAIN CONVEYOR - LC 97/4, 975=DRYER WITH 180° MOTORIZED CHAIN CONVEYOR - LC 97/5, d8=DRYER - LC 80, cw=ADDITIONAL BOILER FOR COLD WATER SUPPLY, dvgw=DVGW VALVE SYSTEM, wfa=WATER FLOW ADJUSTING, szc8=SPLASH ZONE WITH CILINDER - LC 84, sz8=SPLASH ZONE - LC 83, ti=TANK INSULATION, ds=DOUBLE SKIN, bp=BOOSTER PUMP, sdn3=DISPENSER SYSTEM SDN-3, 98=ANGLE LOADING TABLE - LC 98, res=RINSE ECONOMIZER SYSTEM

A=3/N/PE~380-400V 50-60Hz, D=3/PE~200-210V 50-60Hz, F=2/PE~220-240V 50-60Hz, G=3/N/PE~415V 50-60Hz, H=3/PE~220-230V 50-60Hz, K=3/PE~380-400V 50-60Hz, L=3/PE~415V 50-60Hz, M=3/PE~440V 60Hz, P=1/N/PE~220-230V 50-60Hz, R=2/PE~220-240V 50-60Hz, U=1/N/PE~240V 50-60Hz, V=3/PE~240V 50-60Hz, W=1/N/PE~100-110V 50-60Hz

vsezip.ru

+7(812)987-08-81



29\_001\_e



| ID   | P-code  | SN from | SN to | Mod.  | Acces. | Volt | Description       |
|--|---------|---------|-------|-------|--------|------|-------------------|
| <b>Module:Solenoid valves components [151]</b> |         |         |       |       |        |      |                   |
| 24900  | 12023   |         | -     | em,uw |        |      | Hose holder       |
| 24905  | 3002030 |         | -     | em,uw |        |      | Solenoid valve    |
| 24910  | 12022   |         | -     | em,uw |        |      | Union tee         |
| 24915  | 12008   |         | -     | em,uw |        |      | Connection T      |
| 24920  | 12005   |         | -     | em,uw |        |      | Hose holder       |
| 24925  | 12032   |         | -     | em,uw |        |      | Reduction nipples |
| 24930  | 13309   |         | -     | em,uw |        |      | Gasket 14x10x1.5  |
| 24935  | 12002   |         | -     | em,uw |        |      | Plug              |
| 24940  | 3002140 |         | -     | em,uw |        |      | Tap               |
| 24945  | 12027   |         | -     | em,uw |        |      | Nipples           |
| 24950  | 12026   |         | -     | em,uw |        |      | Reduction nipples |
| 24955  | 2000121 |         | -     | em,uw |        |      | Filter            |
| 24960  | 13326   |         | -     | em,uw |        |      | Gasket 38x27x2    |
| 24965  | 12025   |         | -     | em,uw |        |      | Nipples           |
| 24970  | 12033   |         | -     | em,uw |        |      | Nipples           |

em=ELECTROMECHANICAL SWITCHES, uw=LOWER AND UPPER WASHER

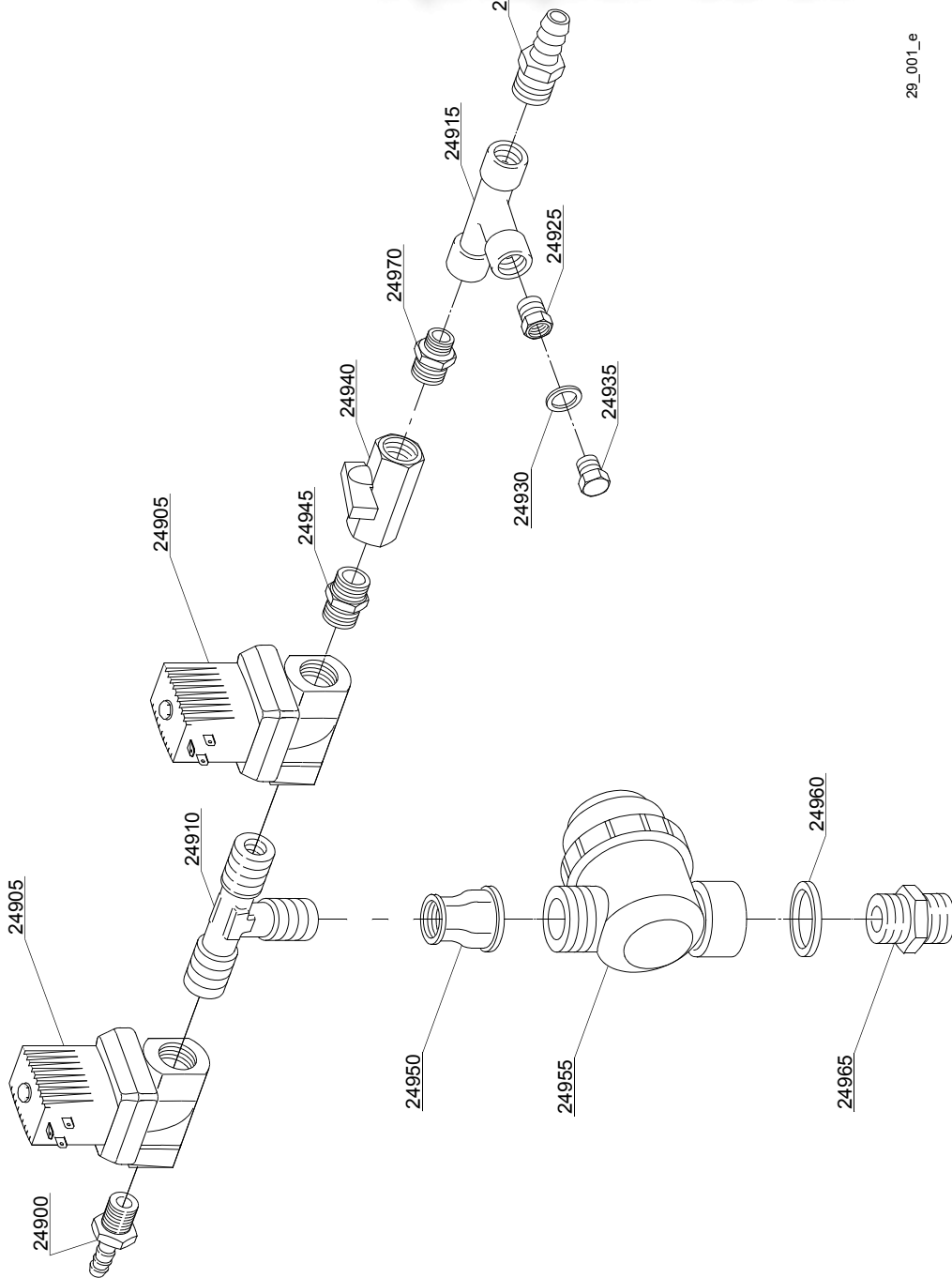
34HS=34HS

sc8=STEAM CONDENSER - LC 81, csa=CONVEYOR SPEED ADJUSTING - LC 101, 972=90°MOTORIZED CHAIN CONVEYOR - LC 97/2, 973=180°MOTORIZED CHAIN CONVEYOR - LC 97/3, 974=DRYER WITH 90° MOTORIZED CHAIN CONVEYOR - LC 97/4, 975=DRYER WITH 180° MOTORIZED CHAIN CONVEYOR - LC 97/5, d8=DRYER - LC 80, cw=ADDITIONAL BOILER FOR COLD WATER SUPPLY, dvgw=DVGW VALVE SYSTEM, wfa=WATER FLOW ADJUSTING, szc8=SPLASH ZONE WITH CILINDER - LC 84, sz8=SPLASH ZONE - LC 83, ti=TANK INSULATION, ds=DOUBLE SKIN, bp=BOOSTER PUMP, sdn3=DISPENSER SYSTEM SDN-3, 98=ANGLE LOADING TABLE - LC 98, res=RINSE ECONOMIZER SYSTEM

A=3/N/PE~380-400V 50-60Hz, D=3/PE~200-210V 50-60Hz, F=2/PE~220-240V 50-60Hz, G=3/N/PE~415V 50-60Hz, H=3/PE~220-230V 50-60Hz, K=3/PE~380-400V 50-60Hz, L=3/PE~415V 50-60Hz, M=3/PE~440V 60Hz, P=1/N/PE~220-230V 50-60Hz, R=2/PE~220-240V 50-60Hz, U=1/N/PE~240V 50-60Hz, V=3/PE~240V 50-60Hz, W=1/N/PE~100-110V 50-60Hz

vsezip.ru

+7(812)987-08-81



29\_001\_e

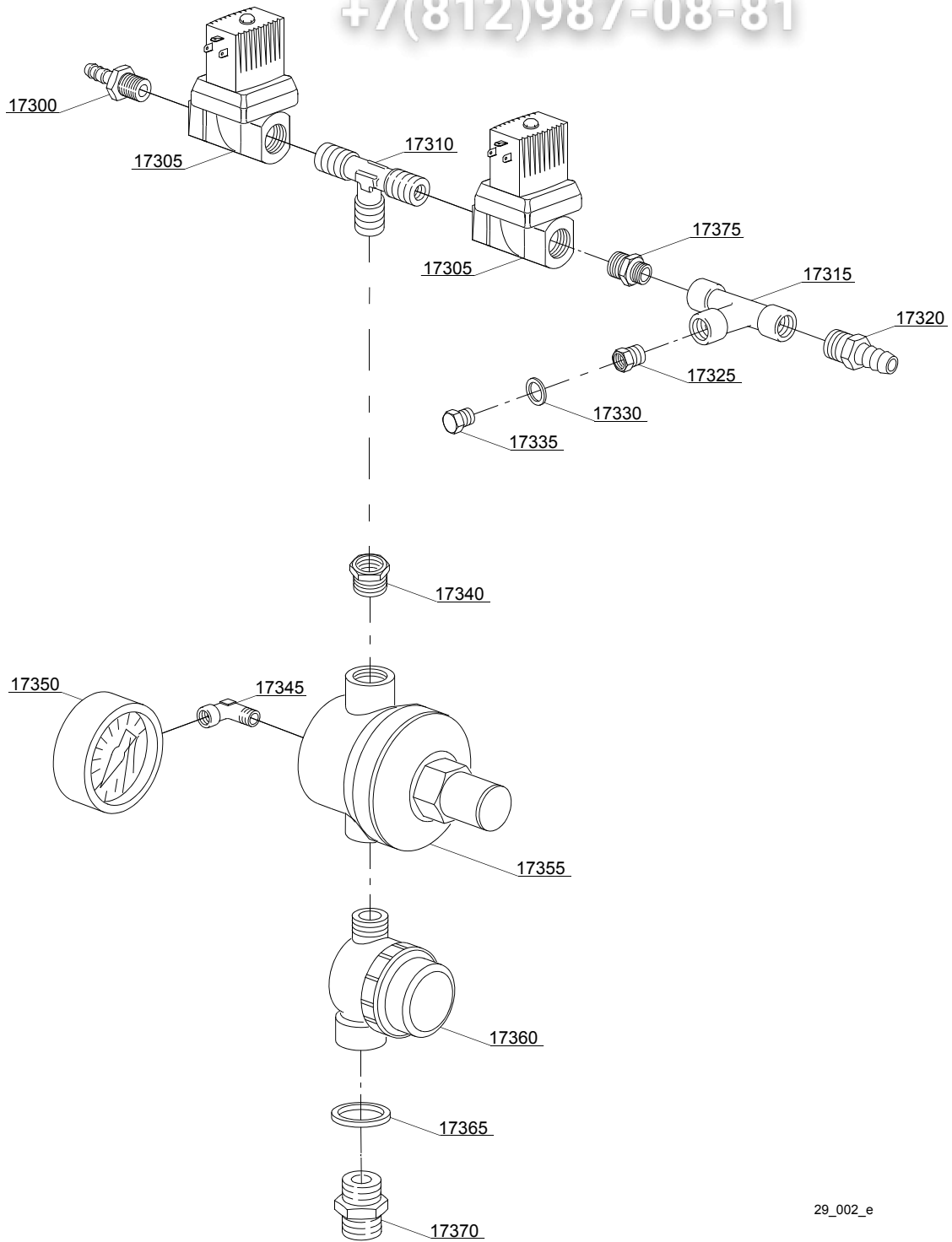
| ID   | P-code  | SN from | SN to | Mod   | Acces. | Volt | Description       |
|--|---------|---------|-------|-------|--------|------|-------------------|
| <b>Module:Solenoid valves components [151]</b> |         |         |       |       |        |      |                   |
| 24900  | 12023   |         | -     | em,uw | sc8,d8 |      | Hose holder       |
| 24905  | 3002030 |         | -     | em,uw | sc8,d8 |      | Solenoid valve    |
| 24910  | 12022   |         | -     | em,uw | sc8,d8 |      | Union tee         |
| 24915  | 12008   |         | -     | em,uw | sc8,d8 |      | Connection T      |
| 24920  | 12005   |         | -     | em,uw | sc8,d8 |      | Hose holder       |
| 24925  | 12032   |         | -     | em,uw | sc8,d8 |      | Reduction nipples |
| 24930  | 13309   |         | -     | em,uw | sc8,d8 |      | Gasket 14x10x1.5  |
| 24935  | 12002   |         | -     | em,uw | sc8,d8 |      | Plug              |
| 24940  | 3002140 |         | -     | em,uw | sc8,d8 |      | Tap               |
| 24945  | 12027   |         | -     | em,uw | sc8,d8 |      | Nipples           |
| 24950  | 12026   |         | -     | em,uw | sc8,d8 |      | Reduction nipples |
| 24955  | 2000121 |         | -     | em,uw | sc8,d8 |      | Filter            |
| 24960  | 13326   |         | -     | em,uw | sc8,d8 |      | Gasket 38x27x2    |
| 24965  | 12025   |         | -     | em,uw | sc8,d8 |      | Nipples           |
| 24970  | 12033   |         | -     | em,uw | sc8,d8 |      | Nipples           |

em=ELECTROMECHANICAL SWITCHES, uw=LOWER AND UPPER WASHER

34HS=34HS

sc8=STEAM CONDENSER - LC 81, csa=CONVEYOR SPEED ADJUSTING - LC 101, 972=90°MOTORIZED CHAIN CONVEYOR - LC 97/2, 973=180°MOTORIZED CHAIN CONVEYOR - LC 97/3, 974=DRYER WITH 90° MOTORIZED CHAIN CONVEYOR - LC 97/4, 975=DRYER WITH 180° MOTORIZED CHAIN CONVEYOR - LC 97/5, d8=DRYER - LC 80, cw=ADDITIONAL BOILER FOR COLD WATER SUPPLY, dvgw=DVGW VALVE SYSTEM, wfa=WATER FLOW ADJUSTING, szc8=SPLASH ZONE WITH CILINDER - LC 84, sz8=SPLASH ZONE - LC 83, ti=TANK INSULATION, ds=DOUBLE SKIN, bp=BOOSTER PUMP, sdn3=DISPENSER SYSTEM SDN-3, 98=ANGLE LOADING TABLE - LC 98, res=RINSE ECONOMIZER SYSTEM

A=3/N/PE~380-400V 50-60Hz, D=3/PE~200-210V 50-60Hz, F=2/PE~220-240V 50-60Hz, G=3/N/PE~415V 50-60Hz, H=3/PE~220-230V 50-60Hz, K=3/PE~380-400V 50-60Hz, L=3/PE~415V 50-60Hz, M=3/PE~440V 60Hz, P=1/N/PE~220-230V 50-60Hz, R=2/PE~220-240V 50-60Hz, U=1/N/PE~240V 50-60Hz, V=3/PE~240V 50-60Hz, W=1/N/PE~100-110V 50-60Hz



29\_002\_e

vsezip.ru

| ID  | P-code  | SN from | SN to | Mod.  | Acces. | Volt | Description              |
|---|---------|---------|-------|-------|--------|------|--------------------------|
| <b>Module: Solenoid valves components with adjusting flow [151]</b> |         |         |       |       |        |      |                          |
| 17300   | 12023   |         | -     | em,uw | wfa    |      | Hose holder              |
| 17305   | 3002030 |         | -     | em,uw | wfa    |      | Solenoid valve           |
| 17310   | 12022   |         | -     | em,uw | wfa    |      | Union tee                |
| 17315   | 12008   |         | -     | em,uw | wfa    |      | Connection T             |
| 17320   | 12005   |         | -     | em,uw | wfa    |      | Hose holder              |
| 17325   | 12032   |         | -     | em,uw | wfa    |      | Reduction nipples        |
| 17330   | 13309   |         | -     | em,uw | wfa    |      | Gasket 14x10x1.5         |
| 17335   | 12002   |         | -     | em,uw | wfa    |      | Plug                     |
| 17340   | 12024   |         | -     | em,uw | wfa    |      | Reduction nipples        |
| 17345   | 12012   |         | -     | em,uw | wfa    |      | Elbow                    |
| 17350   | 2000244 |         | -     | em,uw | wfa    |      | Pressure reduction gauge |
| 17355   | 2000364 |         | -     | em,uw | wfa    |      | Pressure reduction valve |
| 17360   | 2000121 |         | -     | em,uw | wfa    |      | Filter                   |
| 17365   | 13326   |         | -     | em,uw | wfa    |      | Gasket 38x27x2           |
| 17370   | 12025   |         | -     | em,uw | wfa    |      | Nipples                  |
| 17375   | 12033   |         | -     | em,uw | wfa    |      | Nipples                  |

em=ELECTROMECHANICAL SWITCHES, uw=LOWER AND UPPER WASHER

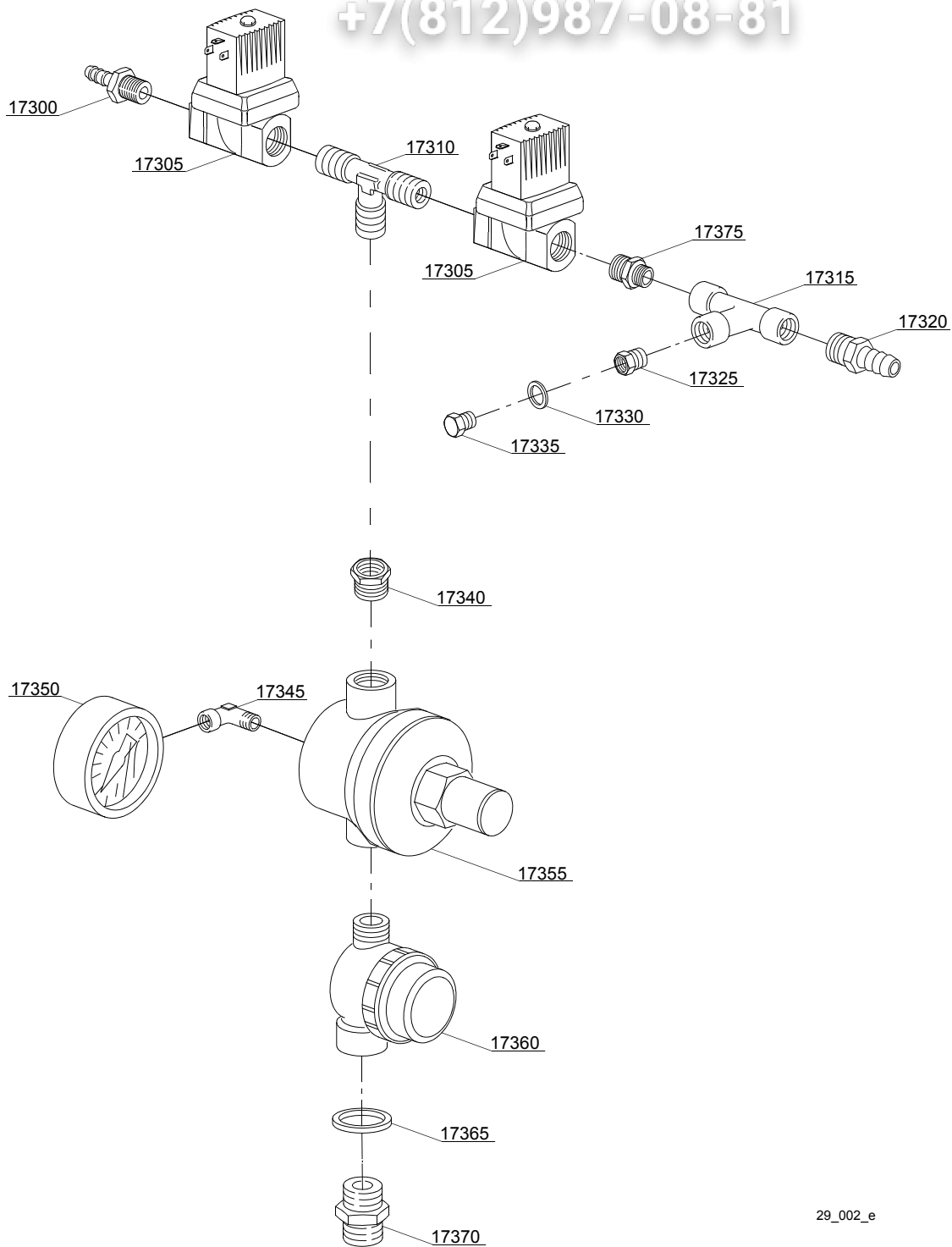
34HS=34HS

sc8=STEAM CONDENSER - LC 81, csa=CONVEYOR SPEED ADJUSTING - LC 101, 972=90°MOTORIZED CHAIN CONVEYOR - LC 97/2, 973=180°MOTORIZED CHAIN CONVEYOR - LC 97/3, 974=DRYER WITH 90° MOTORIZED CHAIN CONVEYOR - LC 97/4, 975=DRYER WITH 180° MOTORIZED CHAIN CONVEYOR - LC 97/5, d8=DRYER - LC 80, cw=ADDITIONAL BOILER FOR COLD WATER SUPPLY, dvgw=DVGW VALVE SYSTEM, wfa=WATER FLOW ADJUSTING, szc8=SPLASH ZONE WITH CILINDER - LC 84, sz8=SPLASH ZONE - LC 83, ti=TANK INSULATION, ds=DOUBLE SKIN, bp=BOOSTER PUMP, sdn3=DISPENSER SYSTEM SDN-3, 98=ANGLE LOADING TABLE - LC 98, res=RINSE ECONOMIZER SYSTEM

A=3/N/PE~380-400V 50-60Hz, D=3/PE~200-210V 50-60Hz, F=2/PE~220-240V 50-60Hz, G=3/N/PE~415V 50-60Hz, H=3/PE~220-230V 50-60Hz, K=3/PE~380-400V 50-60Hz, L=3/PE~415V 50-60Hz, M=3/PE~440V 60Hz, P=1/N/PE~220-230V 50-60Hz, R=2/PE~220-240V 50-60Hz, U=1/N/PE~240V 50-60Hz, V=3/PE~240V 50-60Hz, W=1/N/PE~100-110V 50-60Hz

vsezip.ru

+7(812)987-08-81



29\_002\_e

| ID   | P-code  | SN from | SN to | Mod.  | Acces.     | Volt | Description              |
|--|---------|---------|-------|-------|------------|------|--------------------------|
| <b>Module:Solenoid valves components [151]</b> |         |         |       |       |            |      |                          |
| 17300  | 12023   |         | -     | em,uw | sc8,d8,wfa |      | Hose holder              |
| 17305  | 3002030 |         | -     | em,uw | sc8,d8,wfa |      | Solenoid valve           |
| 17310  | 12022   |         | -     | em,uw | sc8,d8,wfa |      | Union tee                |
| 17315  | 12008   |         | -     | em,uw | sc8,d8,wfa |      | Connection T             |
| 17320  | 12005   |         | -     | em,uw | sc8,d8,wfa |      | Hose holder              |
| 17325  | 12032   |         | -     | em,uw | sc8,d8,wfa |      | Reduction nipples        |
| 17330  | 13309   |         | -     | em,uw | sc8,d8,wfa |      | Gasket 14x10x1.5         |
| 17335  | 12002   |         | -     | em,uw | sc8,d8,wfa |      | Plug                     |
| 17340  | 12024   |         | -     | em,uw | sc8,d8,wfa |      | Reduction nipples        |
| 17345  | 12012   |         | -     | em,uw | sc8,d8,wfa |      | Elbow                    |
| 17350  | 2000244 |         | -     | em,uw | sc8,d8,wfa |      | Pressure reduction gauge |
| 17355  | 2000364 |         | -     | em,uw | sc8,d8,wfa |      | Pressure reduction valve |
| 17360  | 2000121 |         | -     | em,uw | sc8,d8,wfa |      | Filter                   |
| 17365  | 13326   |         | -     | em,uw | sc8,d8,wfa |      | Gasket 38x27x2           |
| 17370  | 12025   |         | -     | em,uw | sc8,d8,wfa |      | Nipples                  |
| 17375  | 12033   |         | -     | em,uw | sc8,d8,wfa |      | Nipples                  |

em=ELECTROMECHANICAL SWITCHES, uw=LOWER AND UPPER WASHER

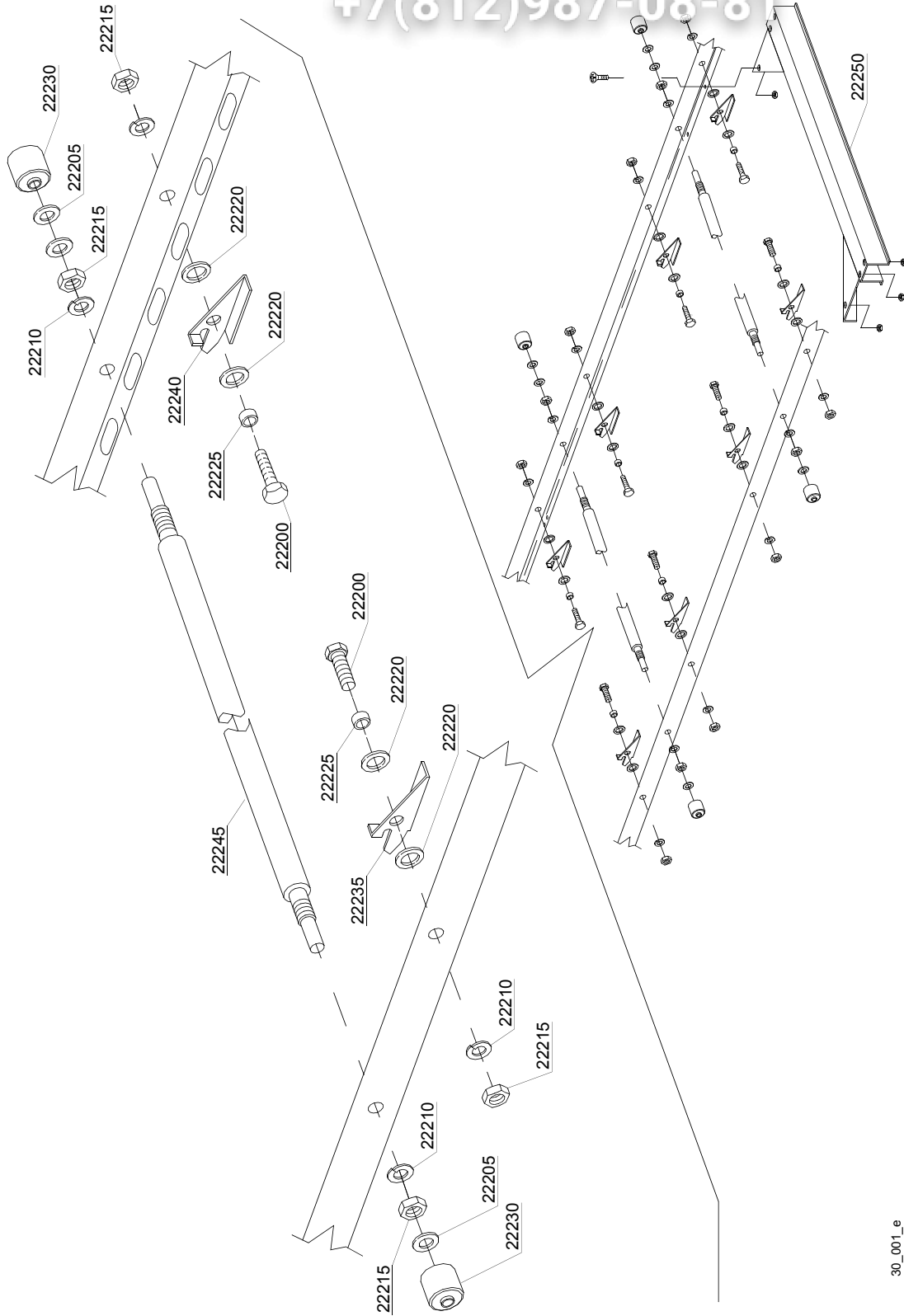
34HS=34HS

sc8=STEAM CONDENSER - LC 81, csa=CONVEYOR SPEED ADJUSTING - LC 101, 972=90°MOTORIZED CHAIN CONVEYOR - LC 97/2, 973=180°MOTORIZED CHAIN CONVEYOR - LC 97/3, 974=DRYER WITH 90° MOTORIZED CHAIN CONVEYOR - LC 97/4, 975=DRYER WITH 180° MOTORIZED CHAIN CONVEYOR - LC 97/5, d8=DRYER - LC 80, cw=ADDITIONAL BOILER FOR COLD WATER SUPPLY, dvgw=DVGW VALVE SYSTEM, wfa=WATER FLOW ADJUSTING, szc8=SPLASH ZONE WITH CILINDER - LC 84, sz8=SPLASH ZONE - LC 83, ti=TANK INSULATION, ds=DOUBLE SKIN, bp=BOOSTER PUMP, sdn3=DISPENSER SYSTEM SDN-3, 98=ANGLE LOADING TABLE - LC 98, res=RINSE ECONOMIZER SYSTEM

A=3/N/PE~380-400V 50-60Hz, D=3/PE~200-210V 50-60Hz, F=2/PE~220-240V 50-60Hz, G=3/N/PE~415V 50-60Hz, H=3/PE~220-230V 50-60Hz, K=3/PE~380-400V 50-60Hz, L=3/PE~415V 50-60Hz, M=3/PE~440V 60Hz, P=1/N/PE~220-230V 50-60Hz, R=2/PE~220-240V 50-60Hz, U=1/N/PE~240V 50-60Hz, V=3/PE~240V 50-60Hz, W=1/N/PE~100-110V 50-60Hz

vsezip.ru

+7(812)987-08-81



30\_001\_e



vsezip.ru

| ID                                  | P-code  | SN from | SN to | Mod   | Acces. | Volt | Description  |
|-------------------------------------|---------|---------|-------|-------|--------|------|--------------|
| <b>Module: Conveyor parts [151]</b> |         |         |       |       |        |      |              |
| 22200                               | 11109   |         | -     | em,uw |        |      | Screw        |
| 22205                               | 11185   |         | -     | em,uw |        |      | Washer       |
| 22210                               | 11609   |         | -     | em,uw |        |      | Split washer |
| 22215                               | 11719   |         | -     | em,uw |        |      | Nut          |
| 22220                               | 3003024 |         | -     | em,uw |        |      | Washer       |
| 22225                               | 3003025 |         | -     | em,uw |        |      | Bush         |
| 22230                               | 3003026 |         | -     | em,uw |        |      | Bush         |
| 22235                               | 3003100 |         | -     | em,uw |        |      | Clip right   |
| 22240                               | 3003101 |         | -     | em,uw |        |      | Clip left    |
| 22245                               | 3003010 |         | -     | em,uw |        |      | Axis         |
| 22250                               | 3009107 |         | -     | em,uw |        |      | Guide        |

em=ELECTROMECHANICAL SWITCHES, uw=LOWER AND UPPER WASHER

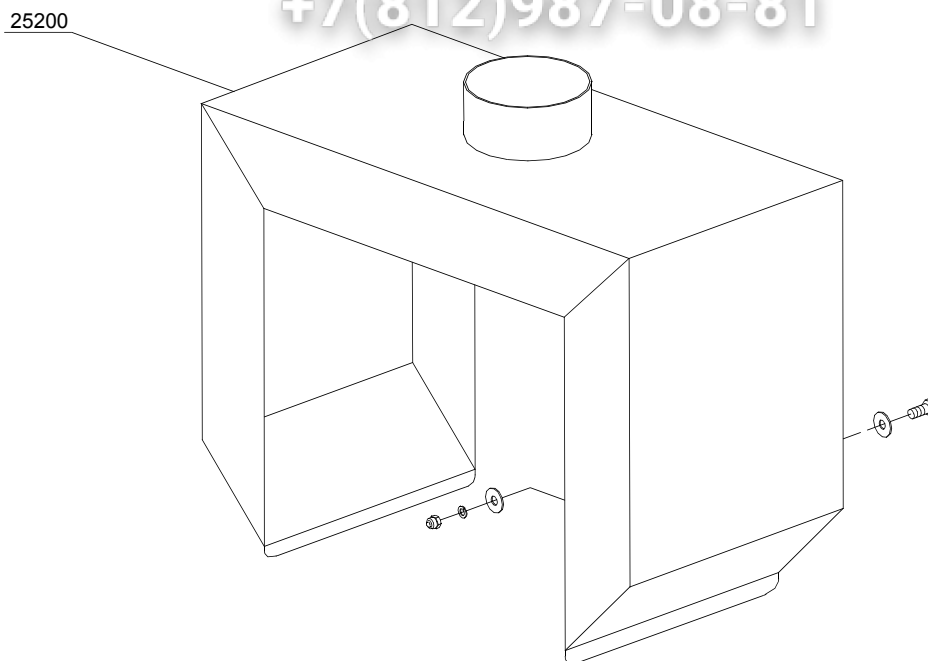
34HS=34HS

sc8=STEAM CONDENSER - LC 81, csa=CONVEYOR SPEED ADJUSTING - LC 101, 972=90°MOTORIZED CHAIN CONVEYOR - LC 97/2, 973=180°MOTORIZED CHAIN CONVEYOR - LC 97/3, 974=DRYER WITH 90° MOTORIZED CHAIN CONVEYOR - LC 97/4, 975=DRYER WITH 180° MOTORIZED CHAIN CONVEYOR - LC 97/5, d8=DRYER - LC 80, cw=ADDITIONAL BOILER FOR COLD WATER SUPPLY, dvgw=DVGW VALVE SYSTEM, wfa=WATER FLOW ADJUSTING, szc8=SPLASH ZONE WITH CILINDER - LC 84, sz8=SPLASH ZONE - LC 83, ti=TANK INSULATION, ds=DOUBLE SKIN, bp=BOOSTER PUMP, sdn3=DISPENSER SYSTEM SDN-3, 98=ANGLE LOADING TABLE - LC 98, res=RINSE ECONOMIZER SYSTEM

A=3/N/PE~380-400V 50-60Hz, D=3/PE~200-210V 50-60Hz, F=2/PE~220-240V 50-60Hz, G=3/N/PE~415V 50-60Hz, H=3/PE~220-230V 50-60Hz, K=3/PE~380-400V 50-60Hz, L=3/PE~415V 50-60Hz, M=3/PE~440V 60Hz, P=1/N/PE~220-230V 50-60Hz, R=2/PE~220-240V 50-60Hz, U=1/N/PE~240V 50-60Hz, V=3/PE~240V 50-60Hz, W=1/N/PE~100-110V 50-60Hz

vsezip.ru

+7(812)987-08-81



31\_001\_e

vsezip.ru

| ID  | P-code    | SN from | SN to | Mod.  | Acces. | Volt | Description                    |
|---|-----------|---------|-------|-------|--------|------|--------------------------------|
| <b>Module: Splash zone with cilinder LC84 [151]</b> |           |         |       |       |        |      |                                |
| 25200   | 999910084 |         | -     | em,uw |        |      | Splash zone with cilinder LC84 |

em=ELECTROMECHANICAL SWITCHES, uw=LOWER AND UPPER WASHER

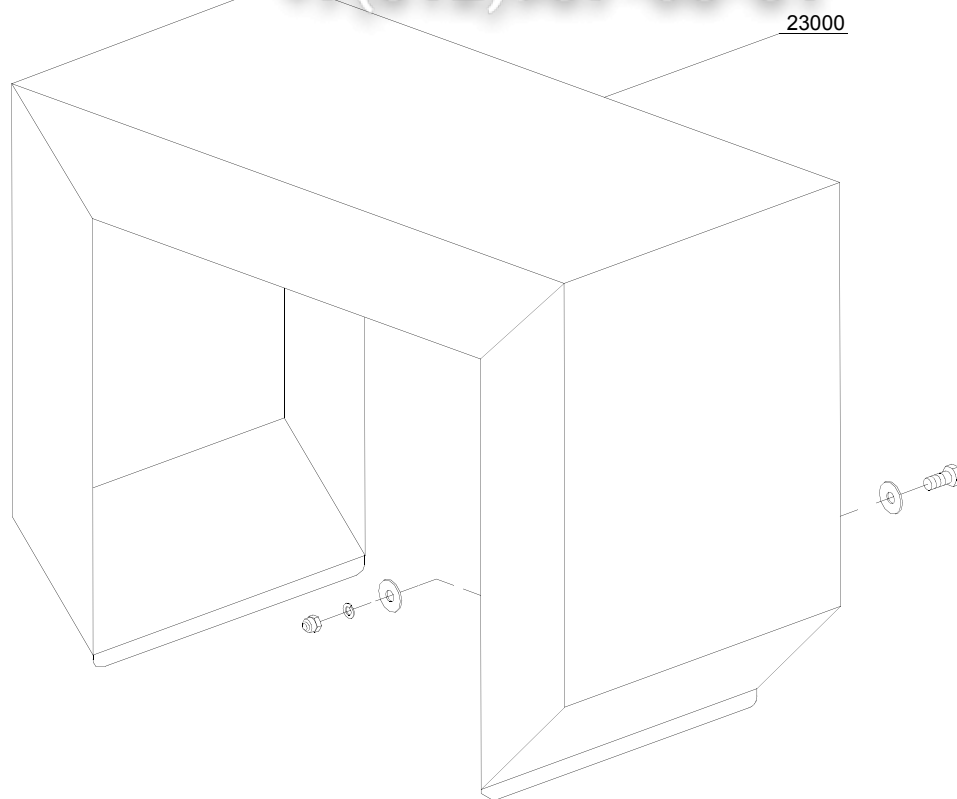
34HS=34HS

sc8=STEAM CONDENSER - LC 81, csa=CONVEYOR SPEED ADJUSTING - LC 101, 972=90°MOTORIZED CHAIN CONVEYOR - LC 97/2, 973=180°MOTORIZED CHAIN CONVEYOR - LC 97/3, 974=DRYER WITH 90° MOTORIZED CHAIN CONVEYOR - LC 97/4, 975=DRYER WITH 180° MOTORIZED CHAIN CONVEYOR - LC 97/5, d8=DRYER - LC 80, cw=ADDITIONAL BOILER FOR COLD WATER SUPPLY, dvgw=DVGW VALVE SYSTEM, wfa=WATER FLOW ADJUSTING, szc8=SPLASH ZONE WITH CILINDER - LC 84, sz8=SPLASH ZONE - LC 83, ti=TANK INSULATION, ds=DOUBLE SKIN, bp=BOOSTER PUMP, sdn3=DISPENSER SYSTEM SDN-3, 98=ANGLE LOADING TABLE - LC 98, res=RINSE ECONOMIZER SYSTEM

A=3/N/PE~380-400V 50-60Hz, D=3/PE~200-210V 50-60Hz, F=2/PE~220-240V 50-60Hz, G=3/N/PE~415V 50-60Hz, H=3/PE~220-230V 50-60Hz, K=3/PE~380-400V 50-60Hz, L=3/PE~415V 50-60Hz, M=3/PE~440V 60Hz, P=1/N/PE~220-230V 50-60Hz, R=2/PE~220-240V 50-60Hz, U=1/N/PE~240V 50-60Hz, V=3/PE~240V 50-60Hz, W=1/N/PE~100-110V 50-60Hz

vsezip.ru

+7(812)987-08-81



34\_001\_e

vsezip.ru

| ID                                    | P-code    | SN from | SN to | Mod.  | Acces. | Volt | Description |
|---------------------------------------|-----------|---------|-------|-------|--------|------|-------------|
| <b>Module: Splash zone LC83 [151]</b> |           |         |       |       |        |      |             |
| 23000                                 | 999910083 |         | -     | em,uw |        |      | Splash zone |

em=ELECTROMECHANICAL SWITCHES, uw=LOWER AND UPPER WASHER

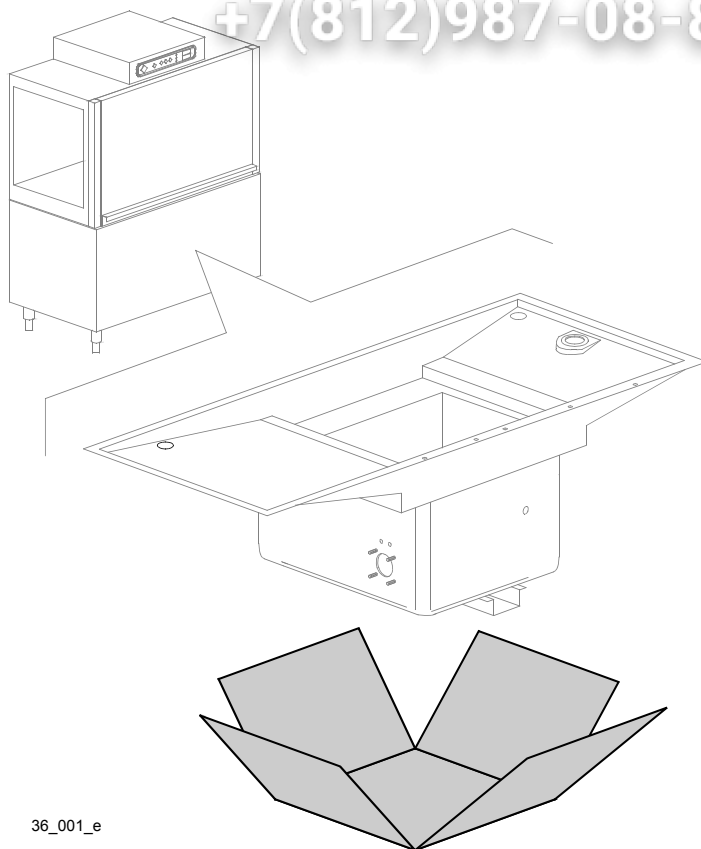
34HS=34HS

sc8=STEAM CONDENSER - LC 81, csa=CONVEYOR SPEED ADJUSTING - LC 101, 972=90°MOTORIZED CHAIN CONVEYOR - LC 97/2, 973=180°MOTORIZED CHAIN CONVEYOR - LC 97/3, 974=DRYER WITH 90° MOTORIZED CHAIN CONVEYOR - LC 97/4, 975=DRYER WITH 180° MOTORIZED CHAIN CONVEYOR - LC 97/5, d8=DRYER - LC 80, cw=ADDITIONAL BOILER FOR COLD WATER SUPPLY, dvgw=DVGW VALVE SYSTEM, wfa=WATER FLOW ADJUSTING, szc8=SPLASH ZONE WITH CILINDER - LC 84, sz8=SPLASH ZONE - LC 83, ti=TANK INSULATION, ds=DOUBLE SKIN, bp=BOOSTER PUMP, sdn3=DISPENSER SYSTEM SDN-3, 98=ANGLE LOADING TABLE - LC 98, res=RINSE ECONOMIZER SYSTEM

A=3/N/PE~380-400V 50-60Hz, D=3/PE~200-210V 50-60Hz, F=2/PE~220-240V 50-60Hz, G=3/N/PE~415V 50-60Hz, H=3/PE~220-230V 50-60Hz, K=3/PE~380-400V 50-60Hz, L=3/PE~415V 50-60Hz, M=3/PE~440V 60Hz, P=1/N/PE~220-230V 50-60Hz, R=2/PE~220-240V 50-60Hz, U=1/N/PE~240V 50-60Hz, V=3/PE~240V 50-60Hz, W=1/N/PE~100-110V 50-60Hz

vsezip.ru

+7(812)987-08-81



36\_001\_e

vsezip.ru

| ID                                   | P-code    | SN from | SN to | Mod.  | Acces. | Volt | Description   |
|--------------------------------------|-----------|---------|-------|-------|--------|------|---|
| <b>Module: Tank insulation [151]</b> |           |         |       |       |        |      |   |
| 999                                  | 999910207 |         | -     | em,uw | ti     |      | Tank insulation<br>N.B.: kit suppliable only togeter with the machine,<br>not after |

em=ELECTROMECHANICAL SWITCHES, uw=LOWER AND UPPER WASHER

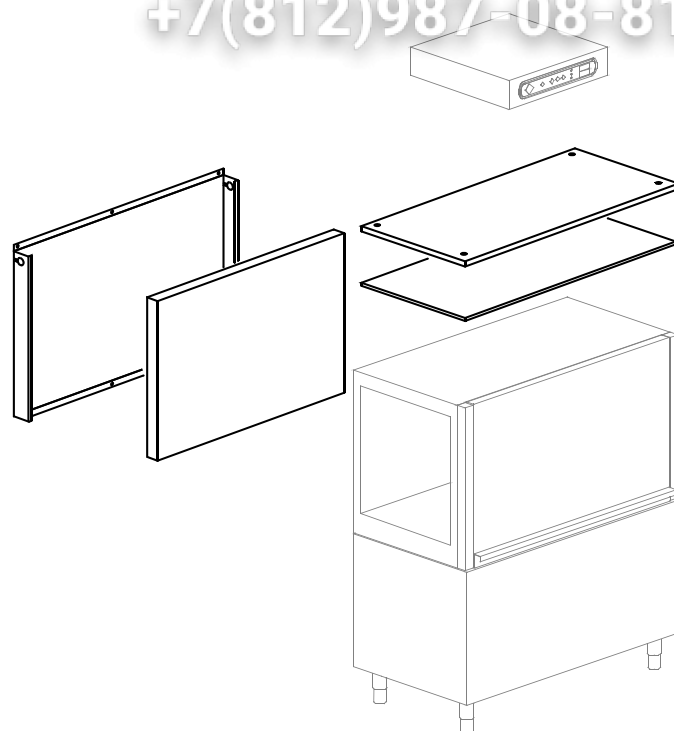
34HS=34HS

sc8=STEAM CONDENSER - LC 81, csa=CONVEYOR SPEED ADJUSTING - LC 101, 972=90°MOTORIZED CHAIN CONVEYOR - LC 97/2, 973=180°MOTORIZED CHAIN CONVEYOR - LC 97/3, 974=DRYER WITH 90° MOTORIZED CHAIN CONVEYOR - LC 97/4, 975=DRYER WITH 180° MOTORIZED CHAIN CONVEYOR - LC 97/5, d8=DRYER - LC 80, cw=ADDITIONAL BOILER FOR COLD WATER SUPPLY, dvgw=DVGW VALVE SYSTEM, wfa=WATER FLOW ADJUSTING, szc8=SPLASH ZONE WITH CILINDER - LC 84, sz8=SPLASH ZONE - LC 83, ti=TANK INSULATION, ds=DOUBLE SKIN, bp=BOOSTER PUMP, sdn3=DISPENSER SYSTEM SDN-3, 98=ANGLE LOADING TABLE - LC 98, res=RINSE ECONOMIZER SYSTEM

A=3/N/PE~380-400V 50-60Hz, D=3/PE~200-210V 50-60Hz, F=2/PE~220-240V 50-60Hz, G=3/N/PE~415V 50-60Hz, H=3/PE~220-230V 50-60Hz, K=3/PE~380-400V 50-60Hz, L=3/PE~415V 50-60Hz, M=3/PE~440V 60Hz, P=1/N/PE~220-230V 50-60Hz, R=2/PE~220-240V 50-60Hz, U=1/N/PE~240V 50-60Hz, V=3/PE~240V 50-60Hz, W=1/N/PE~100-110V 50-60Hz

vsezip.ru

+7(812)987-08-81



37\_001\_e



vsezip.ru

| ID                               | P-code    | SN from | SN to | Mod.  | Acces. | Volt | Description  |
|----------------------------------|-----------|---------|-------|-------|--------|------|--|
| <b>Module: Double skin [151]</b> |           |         |       |       |        |      |  |
| 999                              | 999910206 |         | -     | em,uw | ds     |      | Double skin assembly   |
|                                  |           |         |       |       |        |      | N.B.: kit suppliable only together with the machine, not after |

em=ELECTROMECHANICAL SWITCHES, uw=LOWER AND UPPER WASHER

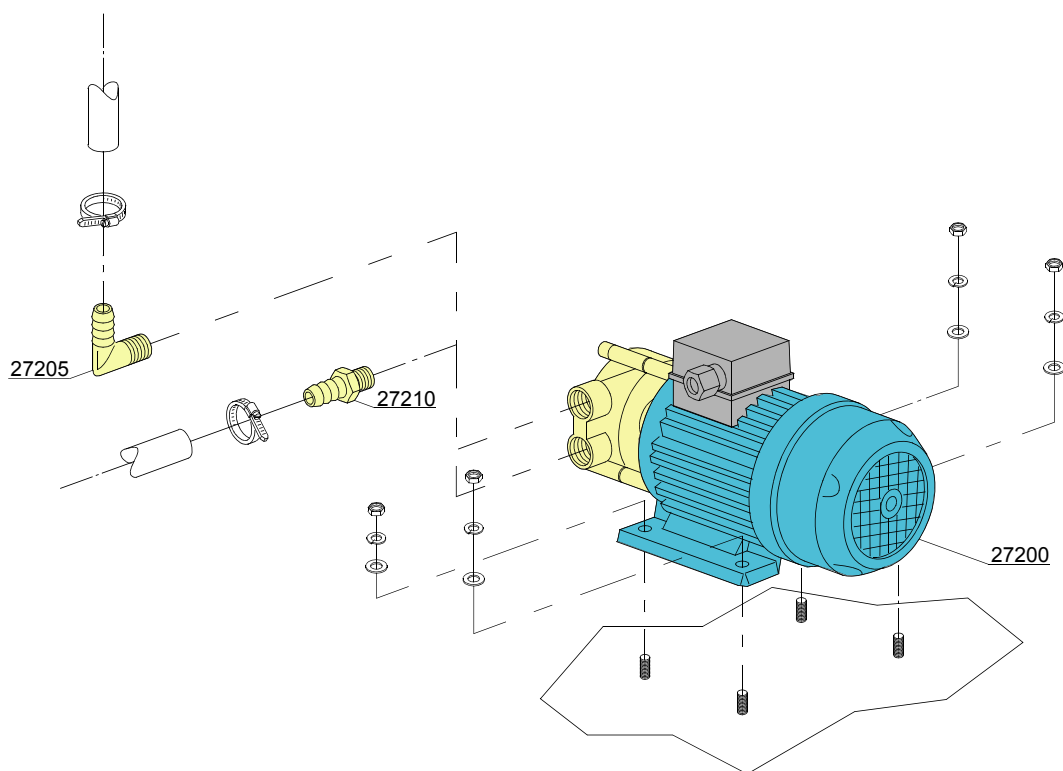
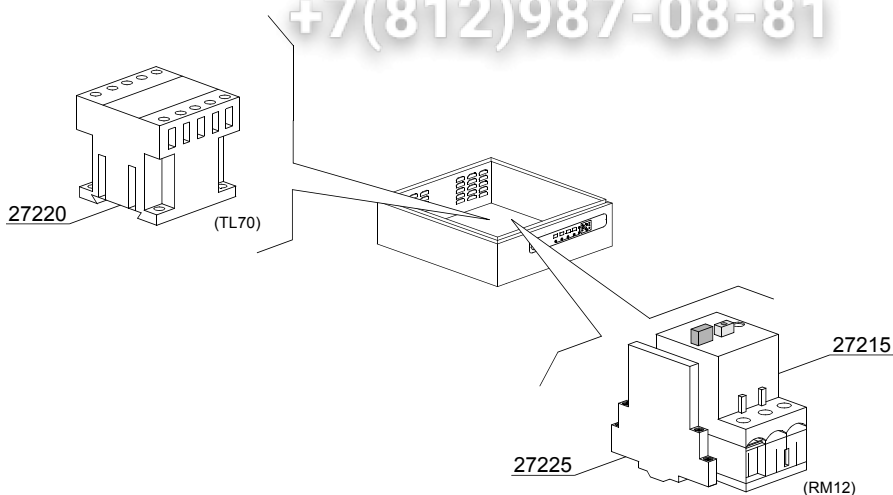
34HS=34HS

sc8=STEAM CONDENSER - LC 81, csa=CONVEYOR SPEED ADJUSTING - LC 101, 972=90°MOTORIZED CHAIN CONVEYOR - LC 97/2, 973=180°MOTORIZED CHAIN CONVEYOR - LC 97/3, 974=DRYER WITH 90° MOTORIZED CHAIN CONVEYOR - LC 97/4, 975=DRYER WITH 180° MOTORIZED CHAIN CONVEYOR - LC 97/5, d8=DRYER - LC 80, cw=ADDITIONAL BOILER FOR COLD WATER SUPPLY, dvgw=DVGW VALVE SYSTEM, wfa=WATER FLOW ADJUSTING, szc8=SPLASH ZONE WITH CILINDER - LC 84, sz8=SPLASH ZONE - LC 83, ti=TANK INSULATION, ds=DOUBLE SKIN, bp=BOOSTER PUMP, sdn3=DISPENSER SYSTEM SDN-3, 98=ANGLE LOADING TABLE - LC 98, res=RINSE ECONOMIZER SYSTEM

A=3/N/PE~380-400V 50-60Hz, D=3/PE~200-210V 50-60Hz, F=2/PE~220-240V 50-60Hz, G=3/N/PE~415V 50-60Hz, H=3/PE~220-230V 50-60Hz, K=3/PE~380-400V 50-60Hz, L=3/PE~415V 50-60Hz, M=3/PE~440V 60Hz, P=1/N/PE~220-230V 50-60Hz, R=2/PE~220-240V 50-60Hz, U=1/N/PE~240V 50-60Hz, V=3/PE~240V 50-60Hz, W=1/N/PE~100-110V 50-60Hz

vsezip.ru

+7(812)987-08-81



38\_001\_e

vsezip.ru

| ID   | P-code   | SN from | SN to | Mod. | Acces. | Volt | Description              |
|--|----------|---------|-------|------|--------|------|--------------------------|
| <b>Module:Booster pump</b>   |          |         |       |      |        |      |                          |
| <b>[151,160,210,250,300,300LC,310,310LC,380,380LC,400,440,440LC,540,510,510LC,540LC,BX230,BX280,BX300]</b> |          |         |       |      |        |      |                          |
| 27200  | 15100    |         | -     |      | bp     |      | Booster pump             |
| 27205  | 12030    |         | -     |      | bp     |      | Elbow pipe fitting       |
| 27210  | 10221311 |         | -     |      | bp     |      | Pipe fitting             |
| 27215  | 2000393  |         | -     |      | bp     |      | Motorprotector 1,6-2,5 A |
| 27220  | 2000370  |         | -     |      | bp     |      | Contactora MC9           |
| 27225  | 3006080  |         | -     |      | bp     |      | Auxiliary contact LMS25  |

em=ELECTROMECHANICAL SWITCHES, uw=LOWER AND UPPER WASHER

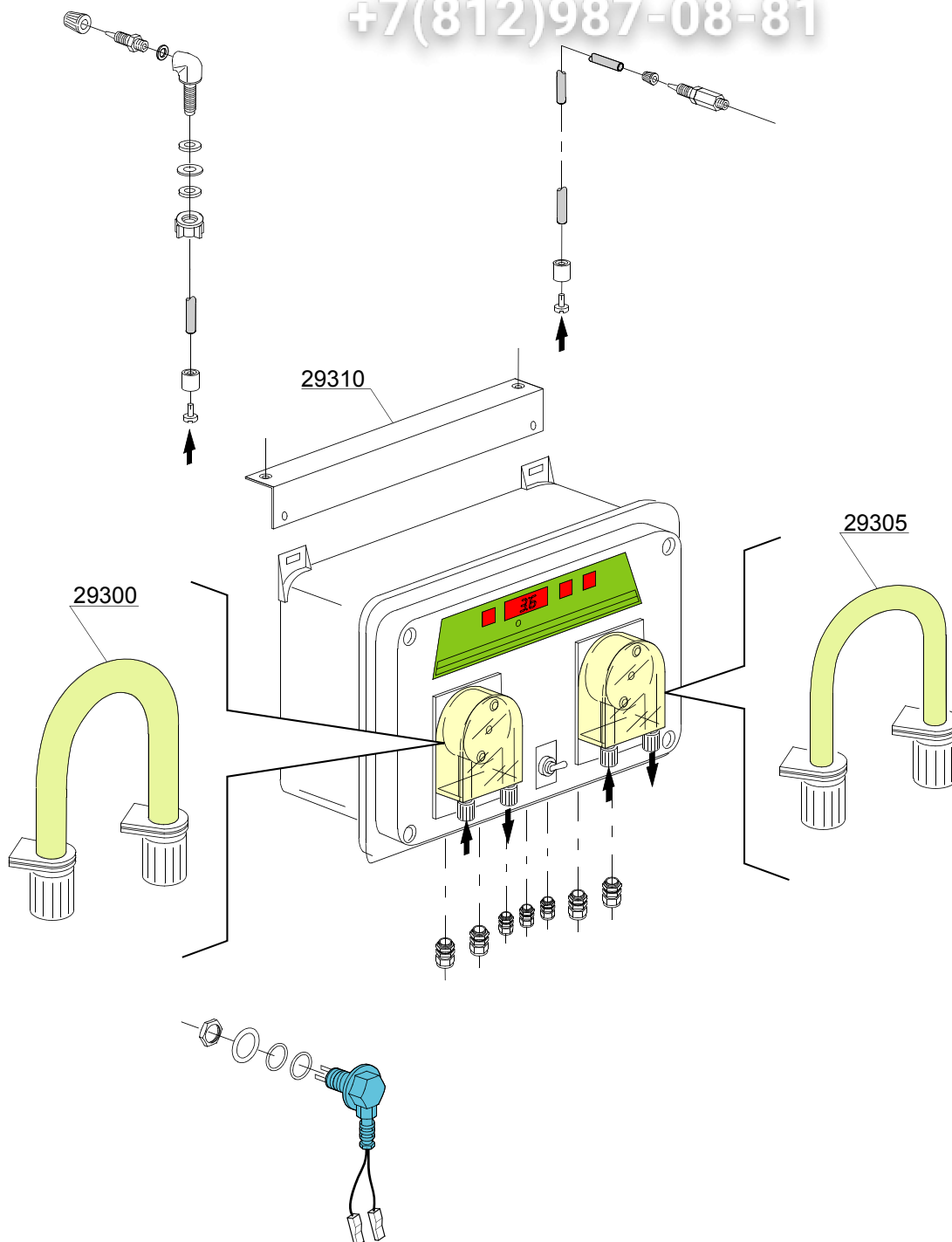
34HS=34HS

sc8=STEAM CONDENSER - LC 81, csa=CONVEYOR SPEED ADJUSTING - LC 101, 972=90°MOTORIZED CHAIN CONVEYOR - LC 97/2, 973=180°MOTORIZED CHAIN CONVEYOR - LC 97/3, 974=DRYER WITH 90° MOTORIZED CHAIN CONVEYOR - LC 97/4, 975=DRYER WITH 180° MOTORIZED CHAIN CONVEYOR - LC 97/5, d8=DRYER - LC 80, cw=ADDITIONAL BOILER FOR COLD WATER SUPPLY, dvgw=DVGW VALVE SYSTEM, wfa=WATER FLOW ADJUSTING, szc8=SPLASH ZONE WITH CILINDER - LC 84, sz8=SPLASH ZONE - LC 83, ti=TANK INSULATION, ds=DOUBLE SKIN, bp=BOOSTER PUMP, sdn3=DISPENSER SYSTEM SDN-3, 98=ANGLE LOADING TABLE - LC 98, res=RINSE ECONOMIZER SYSTEM

A=3/N/PE~380-400V 50-60Hz, D=3/PE~200-210V 50-60Hz, F=2/PE~220-240V 50-60Hz, G=3/N/PE~415V 50-60Hz, H=3/PE~220-230V 50-60Hz, K=3/PE~380-400V 50-60Hz, L=3/PE~415V 50-60Hz, M=3/PE~440V 60Hz, P=1/N/PE~220-230V 50-60Hz, R=2/PE~220-240V 50-60Hz, U=1/N/PE~240V 50-60Hz, V=3/PE~240V 50-60Hz, W=1/N/PE~100-110V 50-60Hz

vsezip.ru

+7(812)987-08-81



39\_001\_e

vsezip.ru

| ID   | P-code  | SN from | SN to | Mod. | Acces | Volt | Description                          |
|--|---------|---------|-------|------|-------|------|--------------------------------------|
| <b>Module: Dispensers SDN-3</b>  |         |         |       |      |       |      |                                      |
| <b>[151,160,210,250,300,300LC,310,310LC,380,380LC,400,440,440LC,540,510,510LC,540LC,BX230,BX280,BX300]</b> |         |         |       |      |       |      |                                      |
|  | 15181/A |         | -     |      | sdn3  |      | Dispensers assembly SDN-3            |
| 29300  | 15185   |         | -     |      | sdn3  |      | Pipe fitting for detergent dispenser |
| 29305  | 15186   |         | -     |      | sdn3  |      | Pipe fitting for rinse dispenser     |
| 29310  | 3009669 |         | -     |      | sdn3  |      | Dispensers assembly SDN-3 support    |

em=ELECTROMECHANICAL SWITCHES, uw=LOWER AND UPPER WASHER

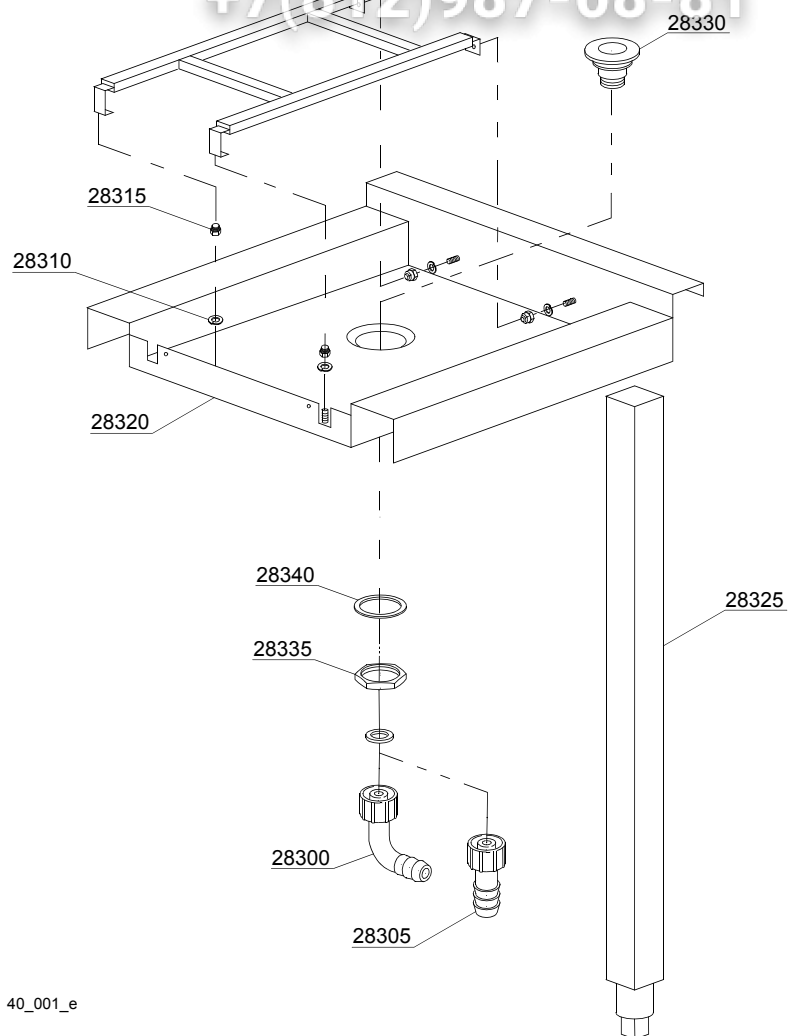
34HS=34HS

sc8=STEAM CONDENSER - LC 81, csa=CONVEYOR SPEED ADJUSTING - LC 101, 972=90°MOTORIZED CHAIN CONVEYOR - LC 97/2, 973=180°MOTORIZED CHAIN CONVEYOR - LC 97/3, 974=DRYER WITH 90° MOTORIZED CHAIN CONVEYOR - LC 97/4, 975=DRYER WITH 180° MOTORIZED CHAIN CONVEYOR - LC 97/5, d8=DRYER - LC 80, cw=ADDITIONAL BOILER FOR COLD WATER SUPPLY, dvgw=DVGW VALVE SYSTEM, wfa=WATER FLOW ADJUSTING, szc8=SPLASH ZONE WITH CILINDER - LC 84, sz8=SPLASH ZONE - LC 83, ti=TANK INSULATION, ds=DOUBLE SKIN, bp=BOOSTER PUMP, sdn3=DISPENSER SYSTEM SDN-3, 98=ANGLE LOADING TABLE - LC 98, res=RINSE ECONOMIZER SYSTEM

A=3/N/PE~380-400V 50-60Hz, D=3/PE~200-210V 50-60Hz, F=2/PE~220-240V 50-60Hz, G=3/N/PE~415V 50-60Hz, H=3/PE~220-230V 50-60Hz, K=3/PE~380-400V 50-60Hz, L=3/PE~415V 50-60Hz, M=3/PE~440V 60Hz, P=1/N/PE~220-230V 50-60Hz, R=2/PE~220-240V 50-60Hz, U=1/N/PE~240V 50-60Hz, V=3/PE~240V 50-60Hz, W=1/N/PE~100-110V 50-60Hz

vsezip.ru

+7(812)987-08-81



40\_001\_e

vsezip.ru

| ID  | P-code   | SN from | SN to | Mod | Acces. | Volt | Description           |
|---|----------|---------|-------|-----|--------|------|-----------------------|
| <b>Module: Angle loading table 90° - LC 98</b>                                    |          |         |       |     |        |      |                       |
| [151,160,210,250,300,310,300LC,310LC,380,380LC,400,440,440LC,510,510LC,540,540LC] |          |         |       |     |        |      |                       |
| 28300   | 15613    |         | -     |     | 98     |      | 1" 1/4x30 nylon elbow |
| 28305   | 15613/A  |         | -     |     | 98     |      | Fitting exauster      |
| 28310   | 3003024  |         | -     |     | 98     |      | Washer                |
| 28315   | 3003025  |         | -     |     | 98     |      | Bush                  |
| 28320   | 3009250  |         | -     |     | 98     |      | Platform              |
| 28325   | 3009608  |         | -     |     | 98     |      | Leg assembly          |
| 28330   | 10200113 |         | -     |     | 98     |      | Floor drain           |
| 28335   | 10200114 |         | -     |     | 98     |      | Floor drain nut       |
| 28340   | 10200173 |         | -     |     | 98     |      | Gasket 75x58x2        |

em=ELECTROMECHANICAL SWITCHES, uw=LOWER AND UPPER WASHER

34HS=34HS

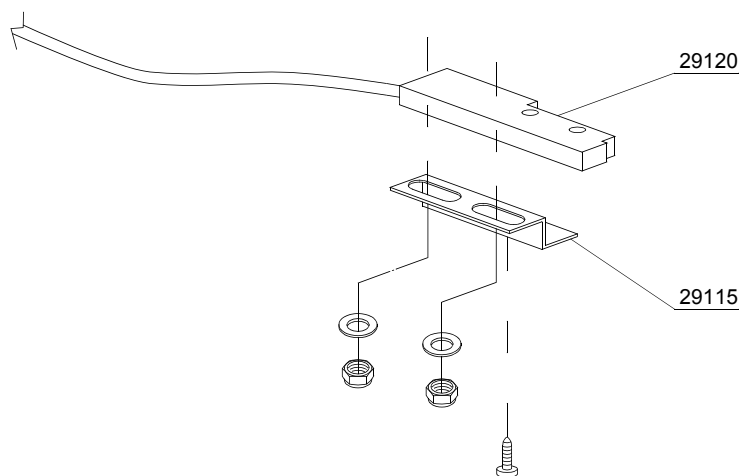
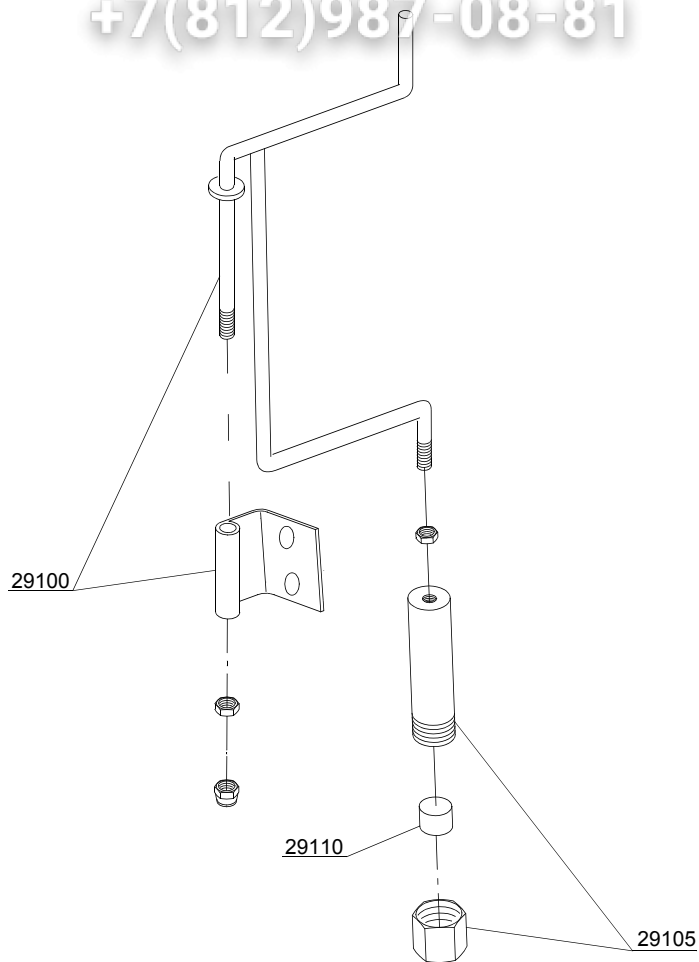
sc8=STEAM CONDENSER - LC 81, csa=CONVEYOR SPEED ADJUSTING - LC 101, 972=90°MOTORIZED CHAIN CONVEYOR - LC 97/2, 973=180°MOTORIZED CHAIN CONVEYOR - LC 97/3, 974=DRYER WITH 90° MOTORIZED CHAIN CONVEYOR - LC 97/4, 975=DRYER WITH 180° MOTORIZED CHAIN CONVEYOR - LC 97/5, d8=DRYER - LC 80, cw=ADDITIONAL BOILER FOR COLD WATER SUPPLY, dvgw=DVGW VALVE SYSTEM, wfa=WATER FLOW ADJUSTING, szc8=SPLASH ZONE WITH CILINDER - LC 84, sz8=SPLASH ZONE - LC 83, ti=TANK INSULATION, ds=DOUBLE SKIN, bp=BOOSTER PUMP, sdn3=DISPENSER SYSTEM SDN-3, 98=ANGLE LOADING TABLE - LC 98, res=RINSE ECONOMIZER SYSTEM

A=3/N/PE~380-400V 50-60Hz, D=3/PE~200-210V 50-60Hz, F=2/PE~220-240V 50-60Hz, G=3/N/PE~415V 50-60Hz, H=3/PE~220-230V 50-60Hz, K=3/PE~380-400V 50-60Hz, L=3/PE~415V 50-60Hz, M=3/PE~440V 60Hz, P=1/N/PE~220-230V 50-60Hz, R=2/PE~220-240V 50-60Hz, U=1/N/PE~240V 50-60Hz, V=3/PE~240V 50-60Hz, W=1/N/PE~100-110V 50-60Hz

vsezip.ru

+7(812)987-08-81

41\_001\_e





vsezip.ru

| ID   | P-code  | SN from | SN to | Mod. | Acces. | Volt | Description                    |
|--|---------|---------|-------|------|--------|------|--------------------------------|
| <b>Module: Rinse economizer system [151]</b> |         |         |       |      |        |      |                                |
| 29100  | 3004163 |         | -     |      | res    |      | Rinse economizer system        |
| 29105  | 3003058 |         | -     |      | res    |      | Magnet holder                  |
| 29110  | 3003113 |         | -     |      | res    |      | Magnet                         |
| 29115  | 3009112 |         | -     |      | res    |      | Economizer microswitch support |
| 29120  | 3003112 |         | -     |      | res    |      | Economizer microswitch         |

em=ELECTROMECHANICAL SWITCHES, uw=LOWER AND UPPER WASHER

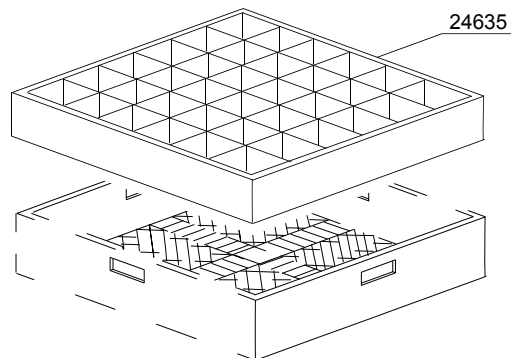
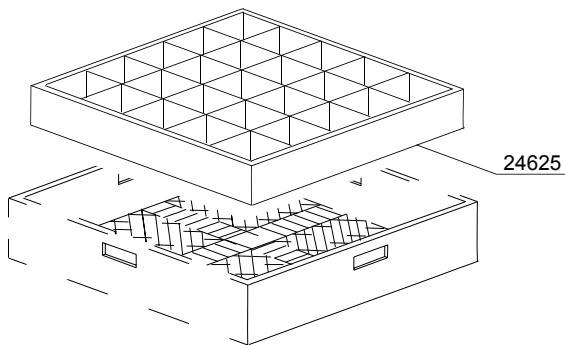
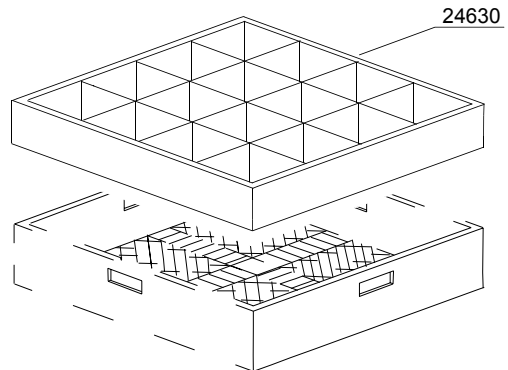
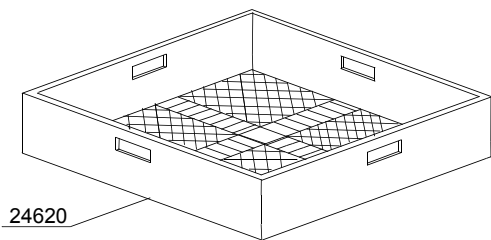
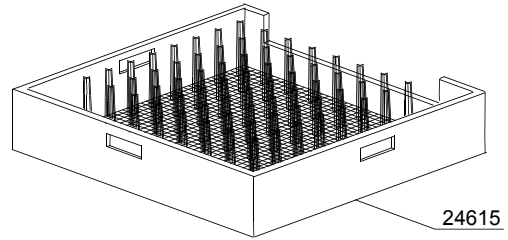
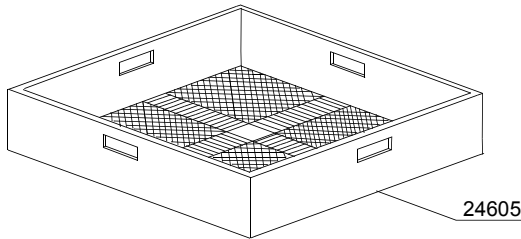
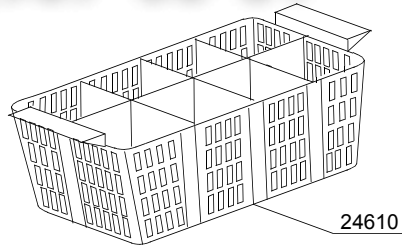
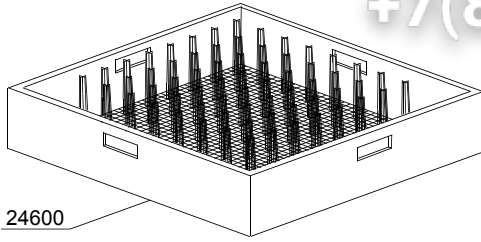
34HS=34HS

sc8=STEAM CONDENSER - LC 81, csa=CONVEYOR SPEED ADJUSTING - LC 101, 972=90°MOTORIZED CHAIN CONVEYOR - LC 97/2, 973=180°MOTORIZED CHAIN CONVEYOR - LC 97/3, 974=DRYER WITH 90° MOTORIZED CHAIN CONVEYOR - LC 97/4, 975=DRYER WITH 180° MOTORIZED CHAIN CONVEYOR - LC 97/5, d8=DRYER - LC 80, cw=ADDITIONAL BOILER FOR COLD WATER SUPPLY, dvgw=DVGW VALVE SYSTEM, wfa=WATER FLOW ADJUSTING, szc8=SPLASH ZONE WITH CILINDER - LC 84, sz8=SPLASH ZONE - LC 83, ti=TANK INSULATION, ds=DOUBLE SKIN, bp=BOOSTER PUMP, sdn3=DISPENSER SYSTEM SDN-3, 98=ANGLE LOADING TABLE - LC 98, res=RINSE ECONOMIZER SYSTEM

A=3/N/PE~380-400V 50-60Hz, D=3/PE~200-210V 50-60Hz, F=2/PE~220-240V 50-60Hz, G=3/N/PE~415V 50-60Hz, H=3/PE~220-230V 50-60Hz, K=3/PE~380-400V 50-60Hz, L=3/PE~415V 50-60Hz, M=3/PE~440V 60Hz, P=1/N/PE~220-230V 50-60Hz, R=2/PE~220-240V 50-60Hz, U=1/N/PE~240V 50-60Hz, V=3/PE~240V 50-60Hz, W=1/N/PE~100-110V 50-60Hz

vsezip.ru

+7(812)987-08-81



00\_001\_e

| ID   | P-code | SN from | SN to | Mod. | Acces. | Volt | Description                            |
|--|--------|---------|-------|------|--------|------|--|
| <b>Module: Baskets [151,160,210,250,300,310,300LC,310LC,300,380LC,400,440,440LC,510,510LC,540,540LC]</b> |        |         |       |      |        |      |  |
| 24600  | C40    |         | -     |      |        |      | Place conveyor basket                  |
| 24605  | C41    |         | -     |      |        |      | Tight mesh conveyor basket for cutlery |
| 24610  | C47    |         | -     |      |        |      | Small 8 place cutlery basket           |
| 24615  | C43    |         | -     |      |        |      | 535mm tray conveyor basket             |
| 24620  | C44    |         | -     |      |        |      | Mod.07 universal conveyor basket       |
| 24625  | C112   |         | -     |      |        |      | 5x5 vertical glass conveyor basket     |
| 24630  | C113   |         | -     |      |        |      | 4x4 vertical glass conveyor basket     |
| 24635  | C114   |         | -     |      |        |      | 6x6 vertical glass conveyor basket     |

em=ELECTROMECHANICAL SWITCHES, uw=LOWER AND UPPER WASHER

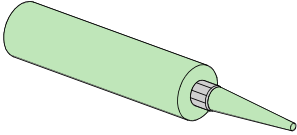

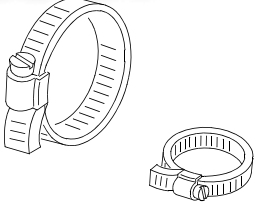
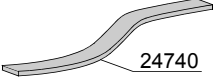
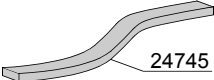
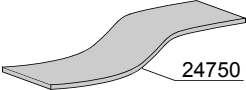
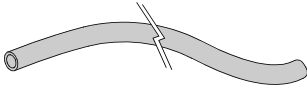
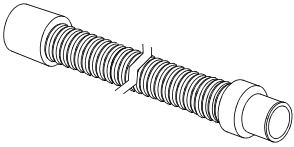
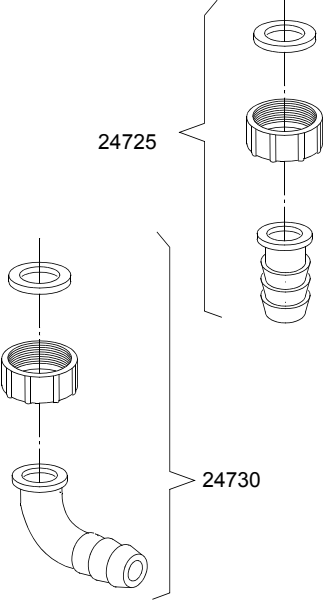
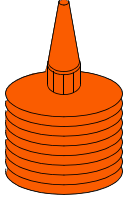
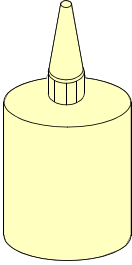
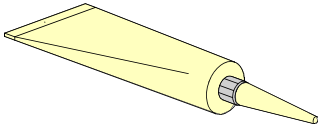
34HS=34HS

sc8=STEAM CONDENSER - LC 81, csa=CONVEYOR SPEED ADJUSTING - LC 101, 972=90°MOTORIZED CHAIN CONVEYOR - LC 97/2, 973=180°MOTORIZED CHAIN CONVEYOR - LC 97/3, 974=DRYER WITH 90° MOTORIZED CHAIN CONVEYOR - LC 97/4, 975=DRYER WITH 180° MOTORIZED CHAIN CONVEYOR - LC 97/5, d8=DRYER - LC 80, cw=ADDITIONAL BOILER FOR COLD WATER SUPPLY, dvgw=DVGW VALVE SYSTEM, wfa=WATER FLOW ADJUSTING, szc8=SPLASH ZONE WITH CILINDER - LC 84, sz8=SPLASH ZONE - LC 83, ti=TANK INSULATION, ds=DOUBLE SKIN, bp=BOOSTER PUMP, sdn3=DISPENSER SYSTEM SDN-3, 98=ANGLE LOADING TABLE - LC 98, res=RINSE ECONOMIZER SYSTEM

A=3/N/PE~380-400V 50-60Hz, D=3/PE~200-210V 50-60Hz, F=2/PE~220-240V 50-60Hz, G=3/N/PE~415V 50-60Hz, H=3/PE~220-230V 50-60Hz, K=3/PE~380-400V 50-60Hz, L=3/PE~415V 50-60Hz, M=3/PE~440V 60Hz, P=1/N/PE~220-230V 50-60Hz, R=2/PE~220-240V 50-60Hz, U=1/N/PE~240V 50-60Hz, V=3/PE~240V 50-60Hz, W=1/N/PE~100-110V 50-60Hz

vsezip.ru

+7(812)987-08-81

|  |  |  |
|--|--|--|
|  <p>24700</p>   |  <p>24705</p>   |  <p>24760</p>               |
|  <p>24740</p>   |  <p>24745</p>   |  <p>24750</p>                 |
|  <p>24755</p> |  <p>24735</p> |  <p>24725</p> <p>24730</p> |
|  <p>24765</p> |  <p>24770</p> |  <p>24775</p>             |

vsezip.ru

| ID   | P-code   | SN from | SN to | Mod | Acces. | Volt | Description                                     |
|--|----------|---------|-------|-----|--------|------|---|
| <b>Module: Accessory</b>   |          |         |       |     |        |      |   |
| <b>[151,160,210,250,300,310,300LC,310LC,380,380LC,400,440,440LC,510,510LC,540,540LC,BX230,BX280,BX300]</b> |          |         |       |     |        |      |   |
| 24700  | ---      |         | -     |     |        |      | Silicone UNI 9610 - UNI 9611                    |
| 24705  | ---      |         | -     |     |        |      | Grease for higt temperatures CCIAA 629224       |
| 24705  | ---      |         | -     |     |        |      | Grease for food - Loctite 8104 Cat. N° 26560    |
| 24725  | 15613/A  |         | -     |     |        |      | Fitting exauster                                |
| 24730  | 15613    |         | -     |     |        |      | 1" 1/4x30 nylon elbow                           |
| 24735  | 10727    |         | -     |     |        |      | Exauster pipe Ø 24mm                            |
| 24735  | 10200112 |         | -     |     |        |      | Exauster pipe Ø 32mm                            |
| 24740  | 15750    |         | -     |     |        |      | 20x2 self-stick mousse                          |
| 24745  | 15751    |         | -     |     |        |      | 20x4 self-stick mousse                          |
| 24750  | 15752    |         | -     |     |        |      | 60x2 self-stick mousse                          |
| 24755  | 2907350  |         | -     |     |        |      | Flexible pipe EPDM Ø12                          |
| 24755  | 2907352  |         | -     |     |        |      | Flexible pipe EPDM Ø12 - WRAS                   |
| 24755  | 2907353  |         | -     |     |        |      | Flexible pipe EPDM Ø12                          |
| 24760  | 11807    |         | -     |     |        |      | Steel hose clamp 15/24                          |
| 24760  | 11806    |         | -     |     |        |      | Steel hose clamp 25/40                          |
| 24760  | 11810    |         | -     |     |        |      | Steel hose clamp 40/60                          |
| 24760  | 11824    |         | -     |     |        |      | Steel hose clamp 50/70                          |
| 24760  | 2902491  |         | -     |     |        |      | Steel hose clamp 60/80                          |
| 24765  | ---      |         | -     |     |        |      | -50°C +150°C threads dope                       |
| 24770  | ---      |         | -     |     |        |      | Loctite 542 Cat.N° 54246 - DIN-DVGW 86.02 e 125 |
| 24770  | ---      |         | -     |     |        |      | Loctite 243 Cat.N° 18937 - 19386                |
| 24775  | ---      |         | -     |     |        |      | Loctite 511 Cat.N° 24003 - DIN-DVGW 86.01 e 125 |
| 24775  | ---      |         | -     |     |        |      | Loctite 577 Cat.N° 25392                        |

em=ELECTROMECHANICAL SWITCHES, uw=LOWER AND UPPER WASHER

34HS=34HS

sc8=STEAM CONDENSER - LC 81, csa=CONVEYOR SPEED ADJUSTING - LC 101, 972=90°MOTORIZED CHAIN CONVEYOR - LC 97/2, 973=180°MOTORIZED CHAIN CONVEYOR - LC 97/3, 974=DRYER WITH 90° MOTORIZED CHAIN CONVEYOR - LC 97/4, 975=DRYER WITH 180° MOTORIZED CHAIN CONVEYOR - LC 97/5, d8=DRYER - LC 80, cw=ADDITIONAL BOILER FOR COLD WATER SUPPLY, dvgw=DVGW VALVE SYSTEM, wfa=WATER FLOW ADJUSTING, szc8=SPLASH ZONE WITH CILINDER - LC 84, sz8=SPLASH ZONE - LC 83, ti=TANK INSULATION, ds=DOUBLE SKIN, bp=BOOSTER PUMP, sdn3=DISPENSER SYSTEM SDN-3, 98=ANGLE LOADING TABLE - LC 98, res=RINSE ECONOMIZER SYSTEM

A=3/N/PE~380-400V 50-60Hz, D=3/PE~200-210V 50-60Hz, F=2/PE~220-240V 50-60Hz, G=3/N/PE~415V 50-60Hz, H=3/PE~220-230V 50-60Hz, K=3/PE~380-400V 50-60Hz, L=3/PE~415V 50-60Hz, M=3/PE~440V 60Hz, P=1/N/PE~220-230V 50-60Hz, R=2/PE~220-240V 50-60Hz, U=1/N/PE~240V 50-60Hz, V=3/PE~240V 50-60Hz, W=1/N/PE~100-110V 50-60Hz