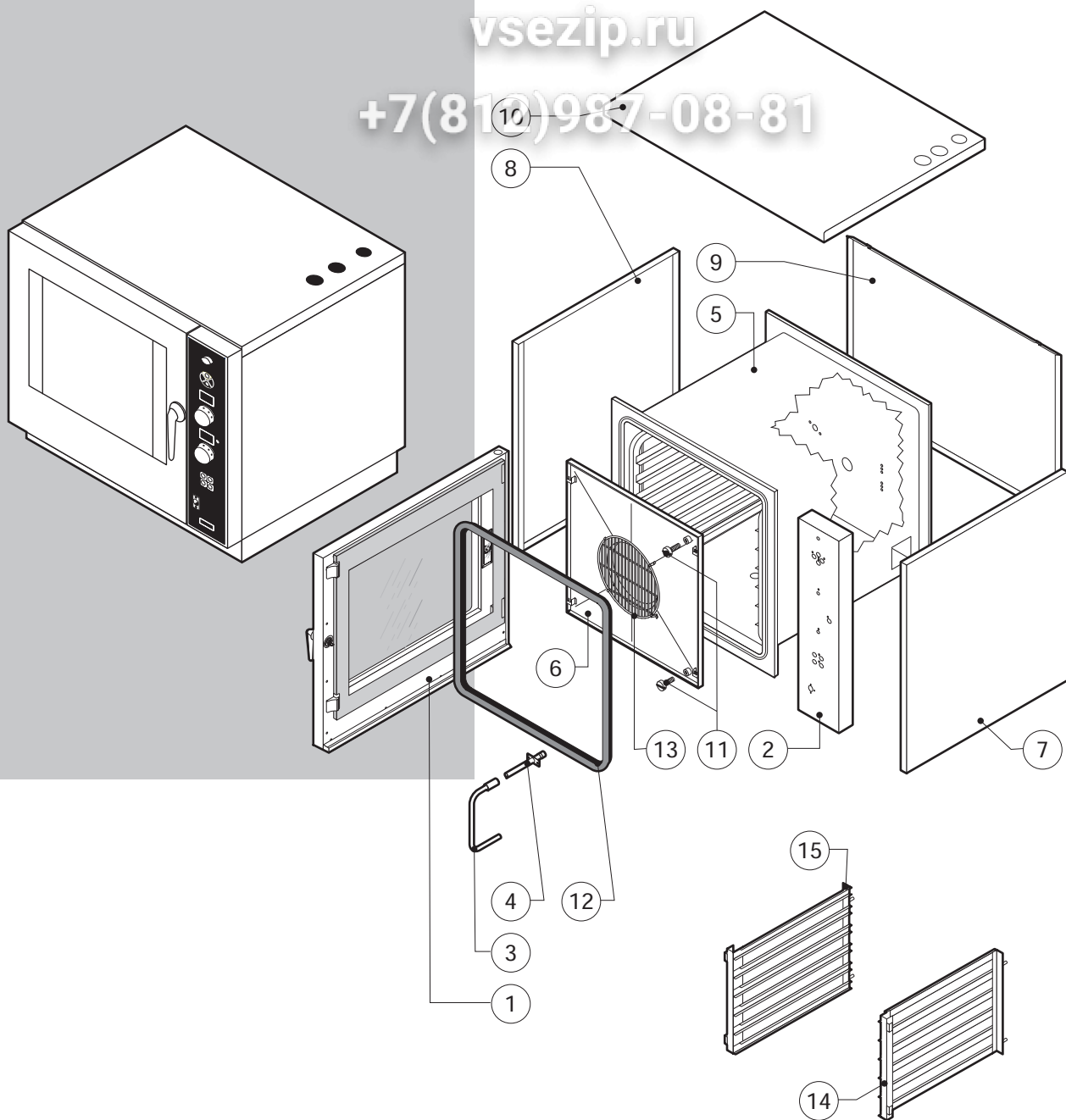


Зип Ощепит

vsezip.ru

+7(810)987-08-81

016.40.177 1061 021.104 DONADINI & C



POS.	CODE	PIECES	DESCRIPTION
1	R11101040	1	DOOR ASSEMBLY
2	R11206910	1	CONTROL PANEL
3	R11200650	1	SPRITZER EXTENSION
4	R11200380	1	SPRITZER UNION
5	R11200000	1	COOKING CABINET ASSEMBLY
6	R11200350	1	FAN GUARD PANEL ASSEMBLY
7	R11414090	1	RIGHT SIDE PANEL
8	R11414100	1	LEFT SIDE PANEL
9	R11414110	1	REAR PANEL
10	R11200190	1	COVER PANEL
11	R58003100	2	FAN GUARD FASTENING SCREW
12	R70044100	1	FRONT GASKET
13	R75300030	1	FAN GUARD GRID Ø 190
14	R11200440	1	REMOVABLE RACK DX
15	R11200450	1	REMOVABLE RACK SX

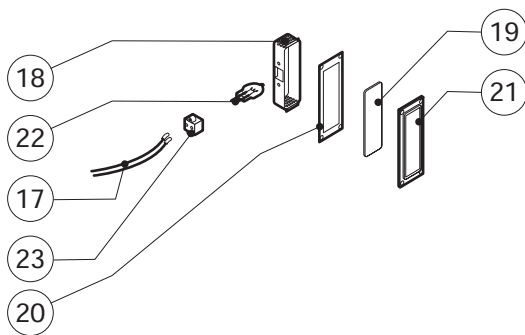
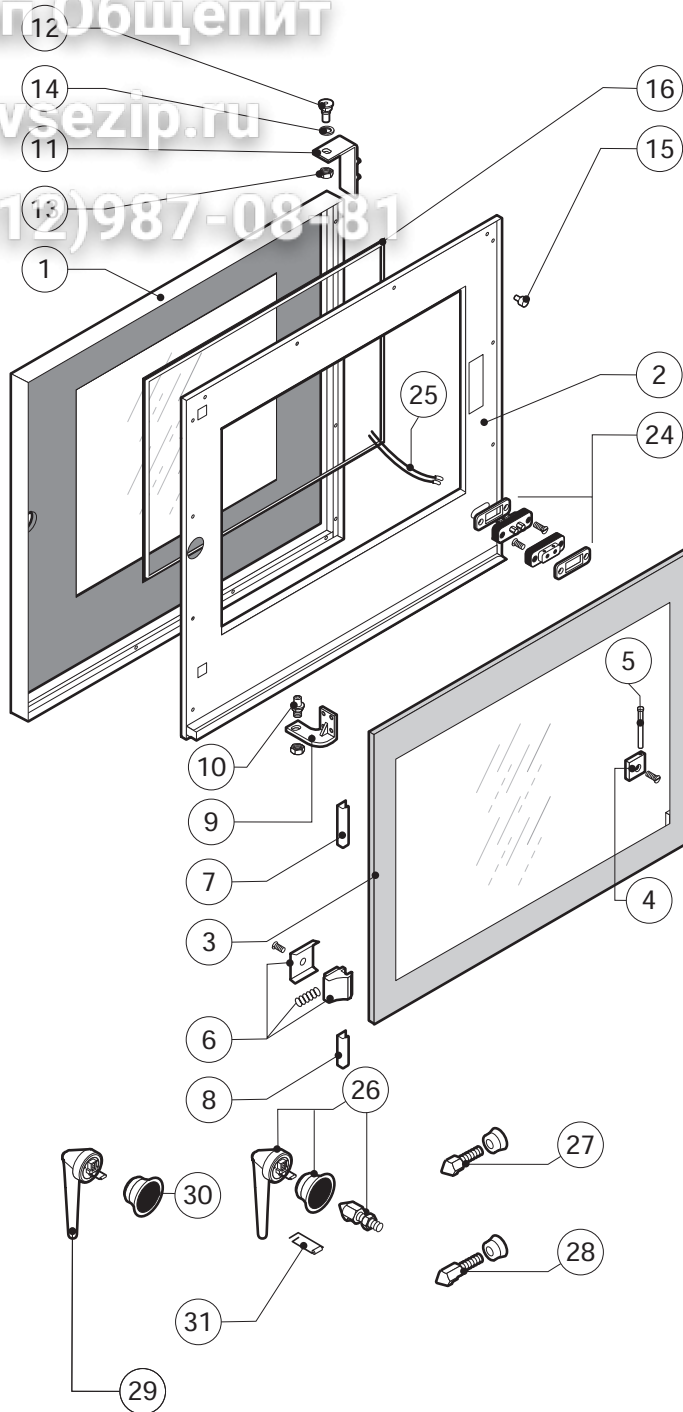
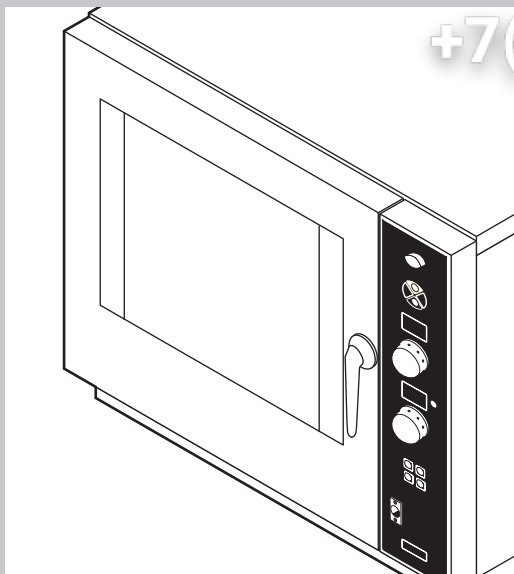
POS.	CODE	PIECES	DESCRIPTION

ЗипОбщепит

vsezip.ru

+7(812)987-08481

016.40.159.1062.021104.DONADINI.r1



POS.	CODE	PIECES	DESCRIPTION
1	R11101340	1	DOOR
2	R11206800	1	INNER DOOR PANEL
3	R11100130	1	INNER DOOR GLASS
4	R58001760	2	INNER GLASS SOLID HINGE
5	R58001770	2	INNER GLASS HINGE PIN
6	R58001780	2	INNER GLASS CATCH KIT
7	R11401340	1	TOP "C" PROFILE
8	R11401360	1	LOWER "C" PROFILE
9	R11207250	1	LOWER DOOR HINGE
10	R58002520	1	LOWER HINGE PIN
11	R11200560	1	UPPER DOOR HINGE
12	R58002150	1	HINGE PIN
13	R58004050	2	NUT FOR UPPER DOOR HINGE
14	R10401710	1	WASHER FOR UPPER DOOR HINGE
15	R70050100	6	GLASS SILICON SPACERS
16	R70044150	1	GLASS GASKET
17	R66110310	1	DOOR LAMPS CABLE SET
18	R11401440	1	LAMP COVER
19	R71500150	1	GLASS LAMP

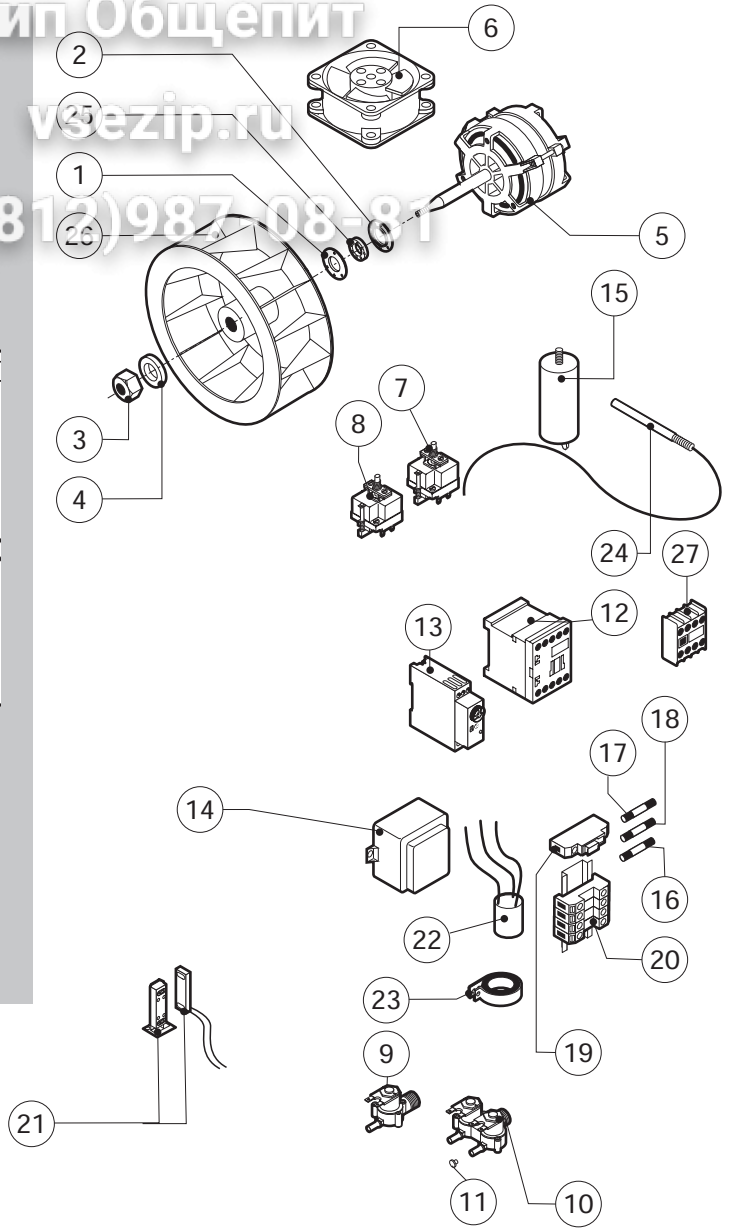
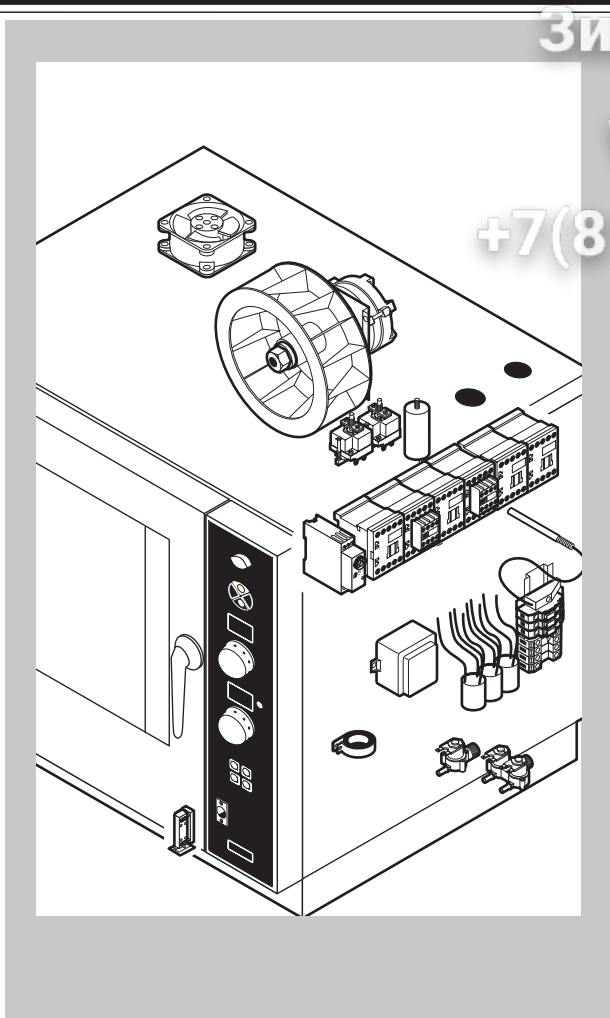
POS.	CODE	PIECES	DESCRIPTION
20	R70044200	1	LAMP GASKET
21	R11401450	1	GLASS HOLDER LAMP FLANGE
22	R65270020	1	LIGHT 20W 12V G4
23	R65270450	1	LIGHT SOCKET
24	R65260750	1	LAMPS CONTACT BLOCK
25	R66110310	1	LAMPS CONTACT CABLE SET
26	R11100300	1	DOOR HANDLE ASSEMBLY
27	R69010260	1	DOOR LATCH 1 STEP
28	R69010270	1	DOOR LATCH 2 STEP
29	R69010250	1	DOOR CATCH KIT
30	R69010630	1	INNER DOOR CATCH PLASTIC COVER
31	R61620132	1	PRONG FLANGE

Зип Общепит

vsezip.ru

+7(812)987-08-81

016.40-177 1063 021104 DONADINI s.r.l



POS.	CODE	PIECES	DESCRIPTION
1	R58003860	1	MOTOR GASKET BRASS FLANGE
2	R58003870	1	MOTOR GASKET BRASS COUNTER FLANGE
3	R58004020	1	FAN SECURITY NUT M10 SX
4	R61400052	1	FAN WASHER Ø 21/10.5
5	*R65040421	1	MOTOR KW 025 2P 220-240V KIT
6	R65060050	2	COMPONENTS VENTILATION MOTOR Ø 120
7	R65070350	1	CHAMBER SAFETY THERMOSTAT
8	R65070081	1	STEAM GENERATOR SAFETY THERMOSTAT
9	R65110200	1	SOLENOID VALVE 220V 50HZ
10	R65110210	1	SOLENOID VALVE 220V 50HZ WITH FLOW REDUCER
11	R65110510	1	15 LT/H WATER FLOW REDUCER
12	*R65140380	6	CONTACTOR 3RT1016-1AP02 240V
13	*R65160320	1	THERMIC PROTECTION T12-211S-2A
14	R65180420	2	TRANSFORMER 20VA
15	*R65190180	1	CAPACITOR 10 µF
16	R65200200	1	FUSE 2A
17	R65200080	1	FUSE 0.25A (T)
18	R65200120	1	FUSE 0.25A (T)
19	R65210020	3	FUSE CARRIER

POS.	CODE	PIECES	DESCRIPTION
20	R65220090	1	TERMINAL BOARD
21	R65265100	1	DOOR SWITCH
22	*R65280200	3	INTERFERENCE SUPPRESSOR
23	*R65280450	1	FERRITE
24	R65325000	3	PROBE PT100
25	R70020040	1	MOTOR GASKET
26	*R75400400	1	FAN Ø 220x78/12 50HZ P.D. KIT
27	*R65140420	2	AUX.CONTACT 1L+1R 3RH1911-1FA11

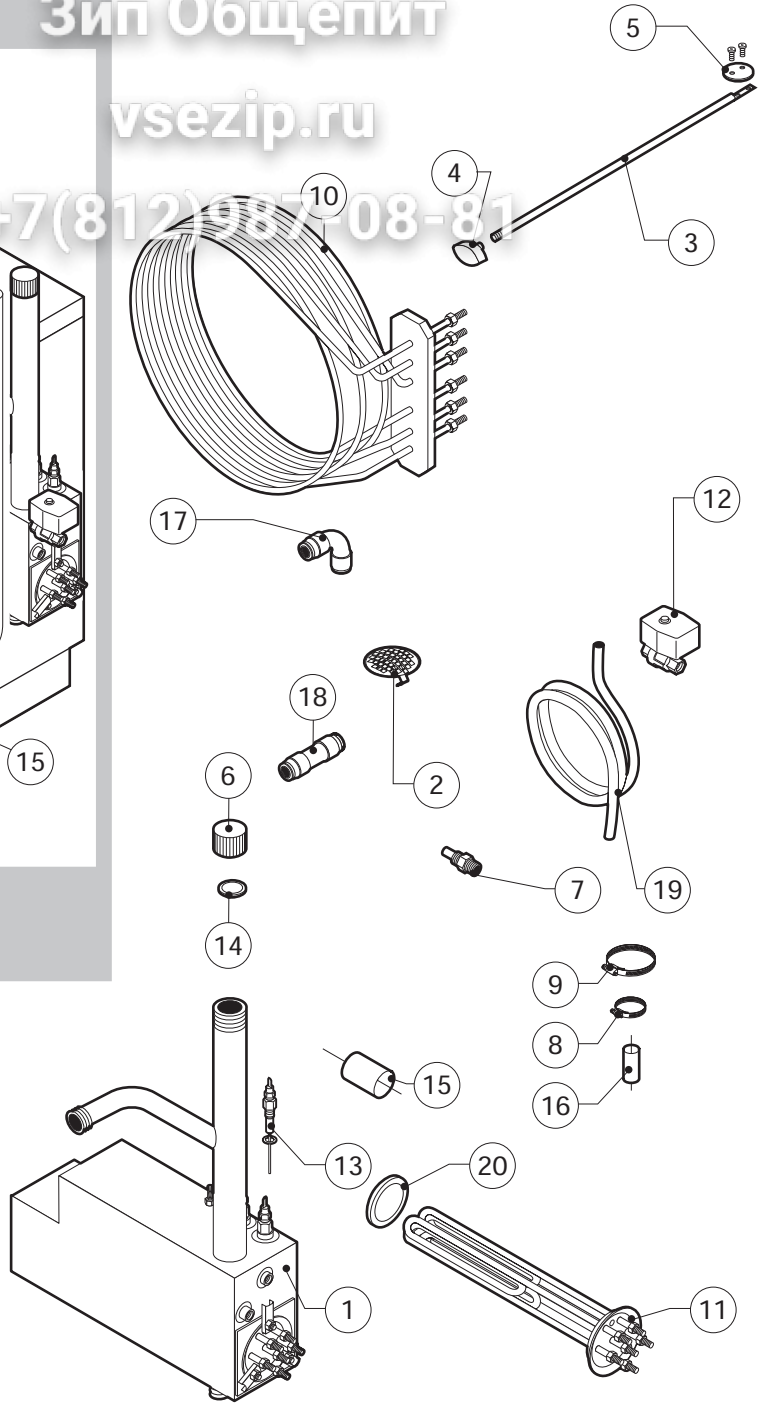
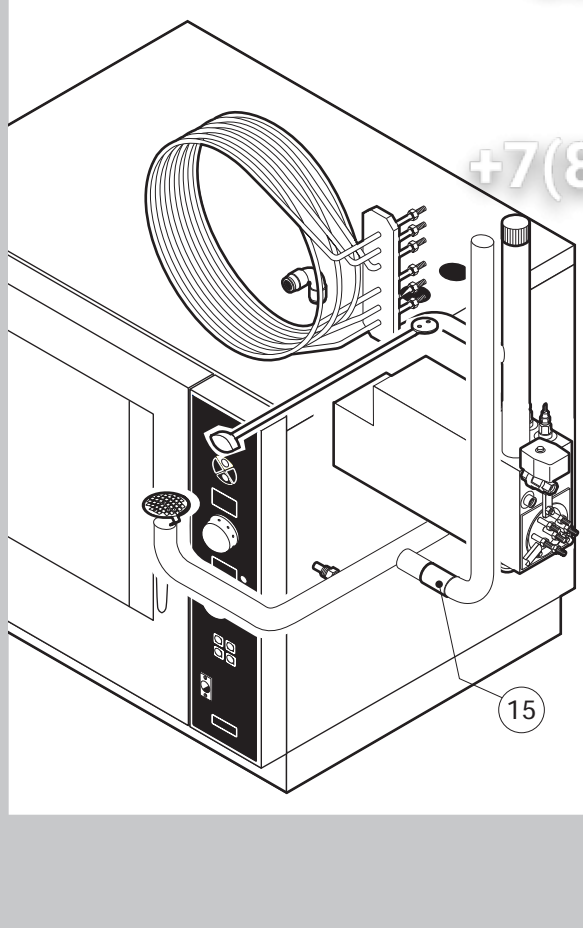
*COMPONENT SUBMITTED TO CHANGEMENTS CAUSED BY TENSION DIFFERENT FROM THE STANDARD (3N AC400V 50HZ)

Зип Общепит

vsezip.ru

+7(812)987-08-81

016-40.177 1064 021104 DONADINI srl



POS.	CODE	PIECES	DESCRIPTION
1	R11100410	1	STEAM GENERATOR ASSEMBLY
2	R10201700	1	DRAIN FILTER
3	R58003740	1	CHAMBER VENT ROD
4	R69010410	1	STEAM OUTLET KNOB
5	R04403460	1	CHAMBER VENT PLATE Ø 46
6	R58005680	1	STEAM GENERATOR DESCALING CAP 1"1/4 F
7	R65110560	1	STEAM QUENCHING NOZZLE Ø 1
8	R61630011	2	METAL CLAMPS 12-22/9
9	R61630021	2	METAL CLAMPS 30-45/9
10	*R65011540	1	CHAMBER HEATING ELEMENT 7500W
11	*R65020350	1	STEAM GENERATOR HEATING ELEMENT 7500W
12	R65110560	1	STEAM GENERATOR DRAIN MOTORIZED VALVE
13	R65320010	2	STEAM GENERATOR LEVEL PROBE
14	R70050040	1	STEAM GENERATOR CAP GASKET
15	R70060010	1	SILICON COUPLING Ø 30
16	R70060080	1	SILICON COUPLING Ø 13
17	R62090478	7	ELBOW MIDDLING PIPE FITTING D.10
18	R62090458	1	STRAIGHT MIDDLING PIPE FITTING D.10
19	R70070060	1	PE D.10 MM X7 WATER FLEXIBLE PIPE (2 MT LONG)

POS.	CODE	PIECES	DESCRIPTION
20	R70045010	1	STEAM GENERATOR HEATING ELEMENT GASKET

*COMPONENT SUBMITTED TO CHANGEMENTS CAUSED BY TENSION DIFFERENT FROM THE STANDARD (3N AC400V 50HZ)

EDIZIONE 0604

ME 061 D

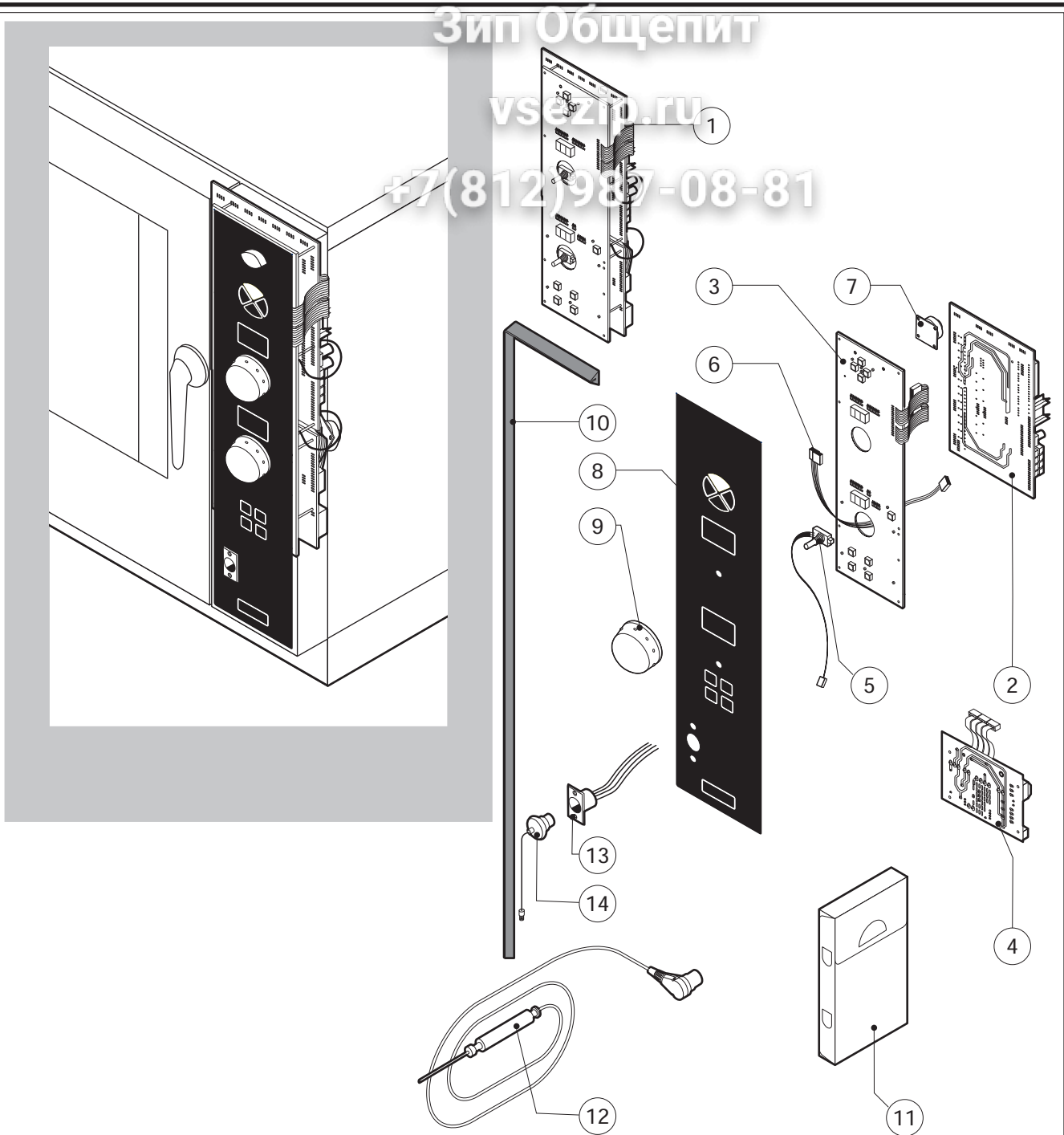
tav. D

Зип Общепит

vsezip.ru

+7(812)987-08-81

016.40.177.1065.301104.DONADINI.srl



POS.	CODE	PIECES	DESCRIPTION
1	R65301310	1	CONTROL PANEL P.C. BOARD
2	R65301320	1	FRONT PC BOARD "D" MOD
3	R65301330	1	RELAY PC BOARD "D" MOD
4	R65301480	1	BOILER CONTROL PC BOARD "H-P" MOD
5	R65301450	2	FRONT PC BOARD ENCODER
6	R65301340	1	PC BOARD FLAT CABLE
7	R65301440	1	PC BOARD BUZZER
8	R67012890	1	LAINOX PLATE
9	R69030260	2	KNOB
10	R70044250	1	CONTROL PANEL GASKET
11	R86020420	1	CORE TEMPERATURE PROBE BOX
12	R65321120	1	CORE TEMPERATURE PROBE
13	R65320920	1	CORE TEMPERATURE PROBE FEMALE CONNECTOR
14	R65321020	1	COVER FOR FEMALE CONNECTOR

POS.	CODE	PIECES	DESCRIPTION