

Зип Общепит

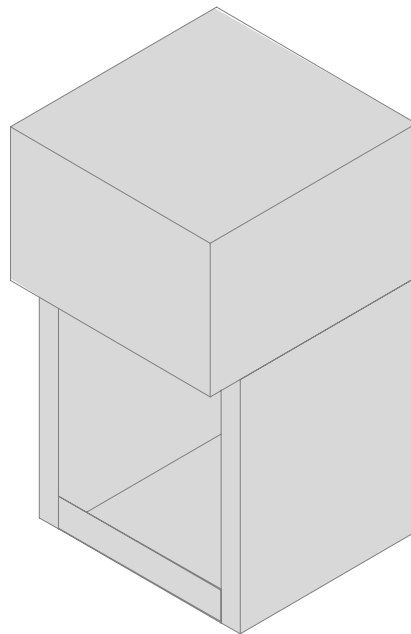
vsezip.ru

+7(812)987-08-81

RACK CONVEYOR MACHINE

TYPE: d9

Spare parts manual



S/N:

Valid from:..11/2002

Rev.: 2.0

Зип Общепит

vsezip.ru

+7(812)987-08-81

vsezip.ru

+7(812)987-08-81

1. Spare parts

Time relay	5
Dryer LC 90 - LC90/2 (6 - 12kW) - part 1	7
Dryer LC 90 (6kW) - part 2	9
Dryer LC 90 - LC 90/2 (6 - 12kW) - electric components	11
Dryer LC 90 - LC 90/2 (6 - 12kW) - electric components	13
Dryer LC 90 - LC 90/2 -LC 90/4 (6 - 12 - 18kW) - electric components	15
Dryer LC 90 - LC 90/2 -LC90/4 (6 - 12 - 18kW) - electric components	17
Dryer LC 90 - LC 90/2 - LC 90/4 (6 - 12 - 18kW) - electric components	19
Dryer LC 90 - LC 90/2 - LC 90/4 (6 - 12 - 18kW) - electric components	21
Dryer LC 90 - LC90/2 (6 - 12kW) - electric components	23
Dryer LC 90 - LC90/2 (6 - 12kW) - electric components	25

vsezip.ru

+7(812)987-08-81

1.1 Voltage codes

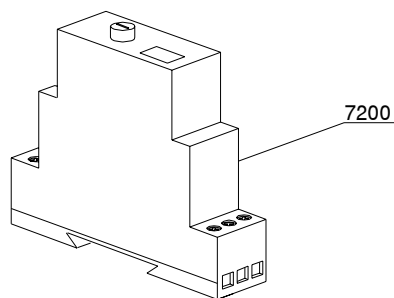
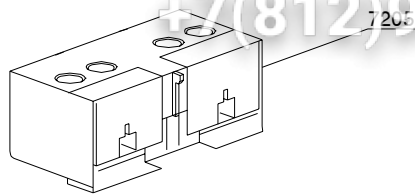
Voltage code	Voltage
A	3/N/PE~400/230V 50Hz
B	~250V 16A 50Hz
C	3/N/PE~380/220V 50Hz
D	3/PE~200V 50-60Hz
F	2/PE 220-240V 50Hz
G	3/N/PE~415/240V 50Hz
H	3/PE~230V 50Hz
I	3/PE~220V 60Hz
J	3/PE~380 50Hz
K	3/PE~400V 50Hz
L	3/PE~415V 50Hz
M	3/PE~440V 60Hz
N	3/PE~460V 60Hz
O	3/PE~480V 60Hz
P	1/N/PE~220-240V 50Hz
R	2/PE~220-230V 60Hz
S	3/N/PE~400/230V 50Hz
T	3/PE~230V 60Hz

1.2 Product codes

Product code	Full name
Model codes	
Type codes	
d9	d9
Accessory codes	

vsezip.ru

+7(812)987-08-81



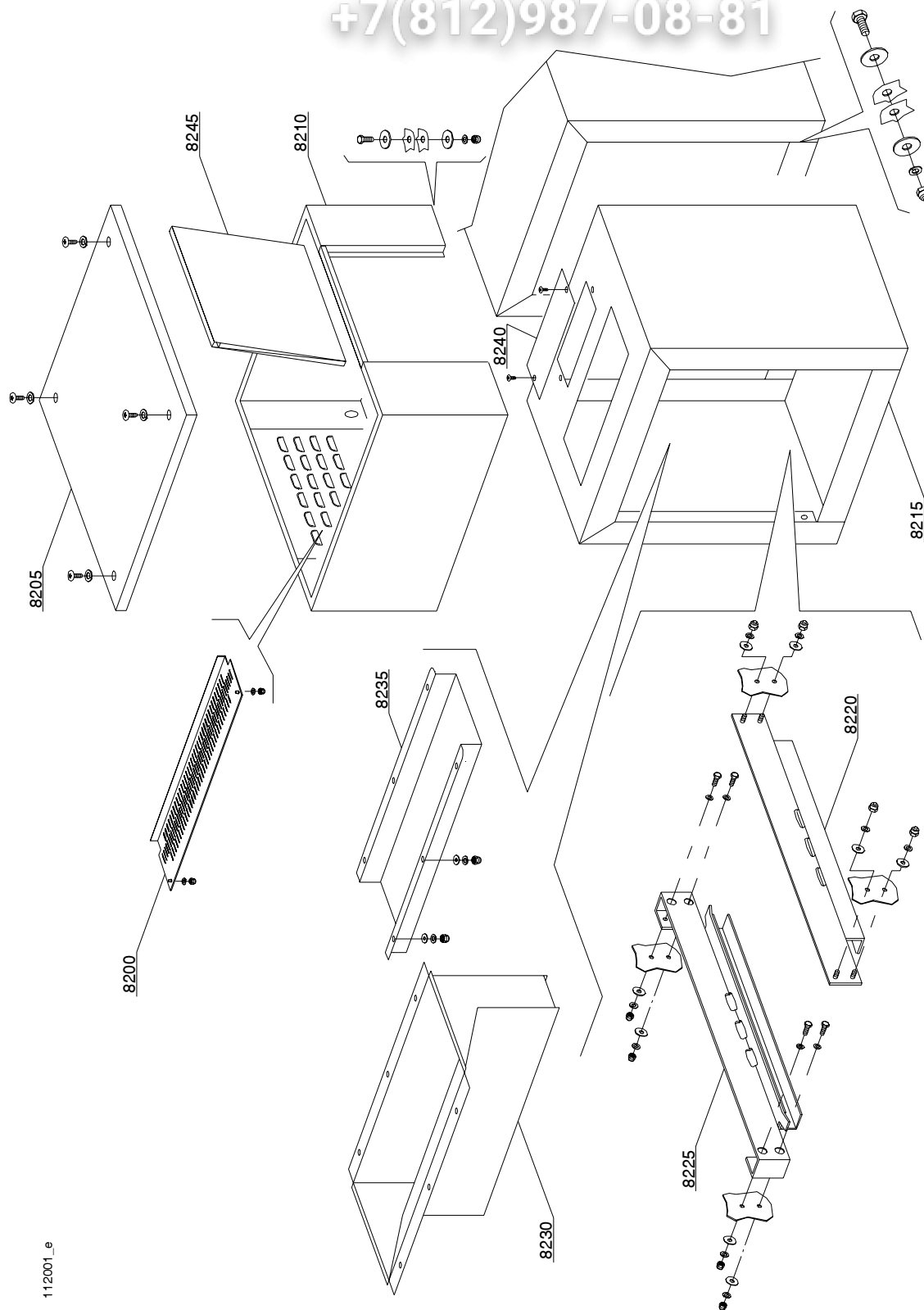
07_001_e

vsezip.ru

ID	P-code	Model	Type	Accessory	Voltage	Description
MODULE:Time relay						
7200	3006225		34,34HS,22,23,24,25,26,27,28,71,71G,39,sc8,sc9,d8,d9,d92,d94,974,975		A	Time relay 24V
7205	3006068		34,34HS,22,23,24,25,26,27,28,71,71G,39,sc8,sc9,d8,d9,d92,d94,974,975		A	MC9 auxiliary contact 1NO-1NC
7205	3002057		34,34HS,22,23,24,25,26,27,28,71,71G,39,sc8,sc9,d8,d9,d92,d94,974,975		A	MC9 auxiliary contact 2NO
7205	3002052		34,34HS,22,23,24,25,26,27,28,71,71G,39,sc8,sc9,d8,d9,d92,d94,974,975		A	MC9 auxiliary contact 2NC

vsezip.ru

+7(812)987-08-81



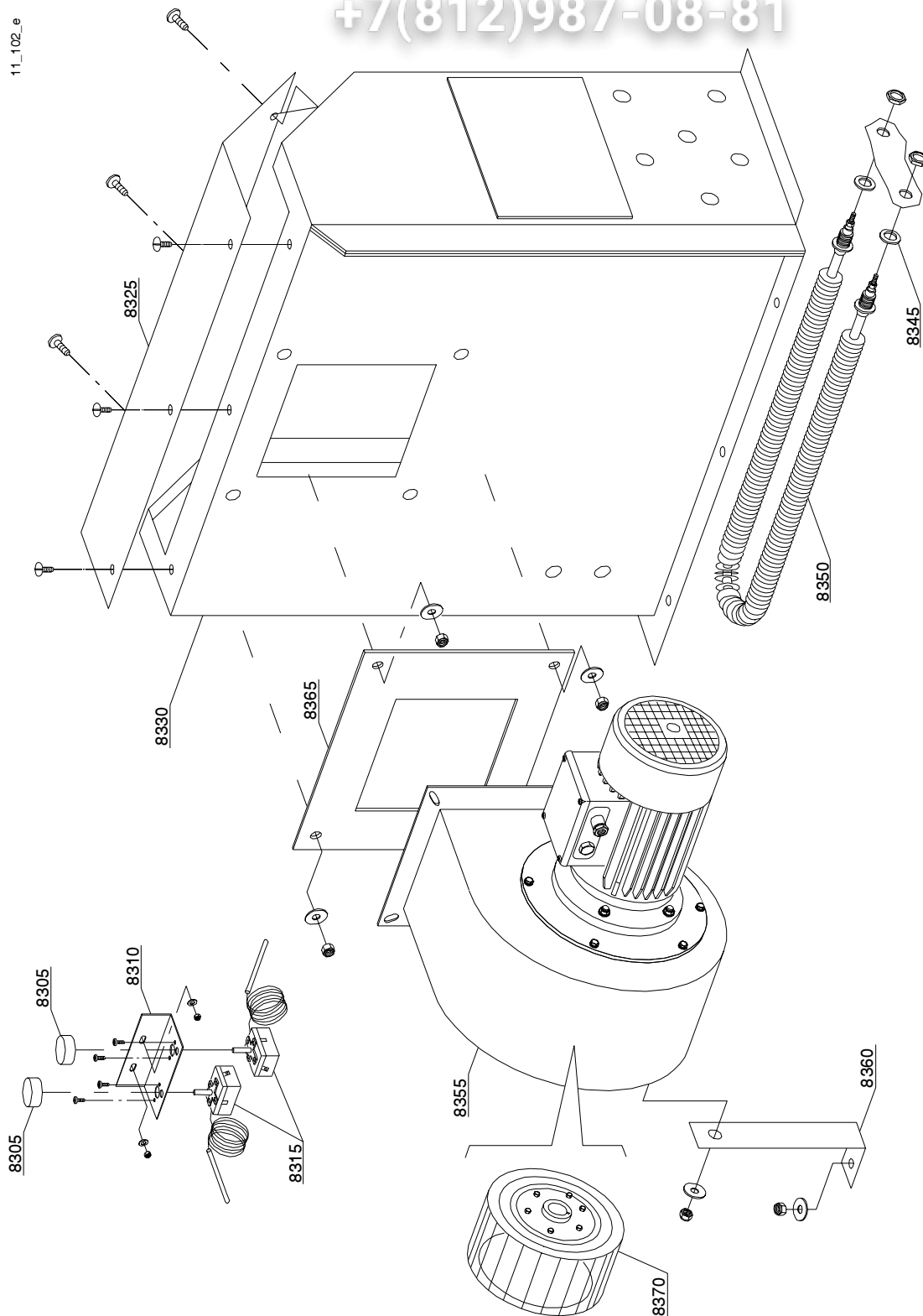
112001_e

vsezip.ru

ID	P-code	Model	Type	Accessory	Voltage	Description
MODULE:Dryer LC 90 - LC 90/2 (6 - 12kW) - part 1						
8200	3009362/A		22,160,23,24,250,25,26,380,380L,27,28,540,540L,71,72,d9,d92			Protection
8205	3009267		22,160,23,24,250,25,26,380,380L,27,28,540,540L,71,72,d9,d92			Cover panel
8210	3009484		22,160,23,24,250,25,26,380,380L,27,28,540,540L,71,72,d9,d92			Complete body
8215	3009485		22,160,23,24,250,25,26,380,380L,27,28,540,540L,71,72,d9,d92			Dryer module
8220	3009047		22,160,23,24,250,25,26,380,380L,27,28,540,540L,71,72,d9,d92			Front slideways
8225	3009057		22,160,23,24,250,25,26,380,380L,27,28,540,540L,71,72,d9,d92			Back slideways
8230	3009492		22,160,23,24,250,25,26,380,380L,27,28,540,540L,71,72,d9,d92			Flow conveyer
8235	3009434		22,160,23,24,250,25,26,380,380L,27,28,540,540L,d9			Splash guard
8245	3009268		22,160,23,24,250,25,26,380,380L,27,28,540,540L,71,72,d9,d92			Dryer carter lockup

vsezip.ru

+7(812)987-08-81



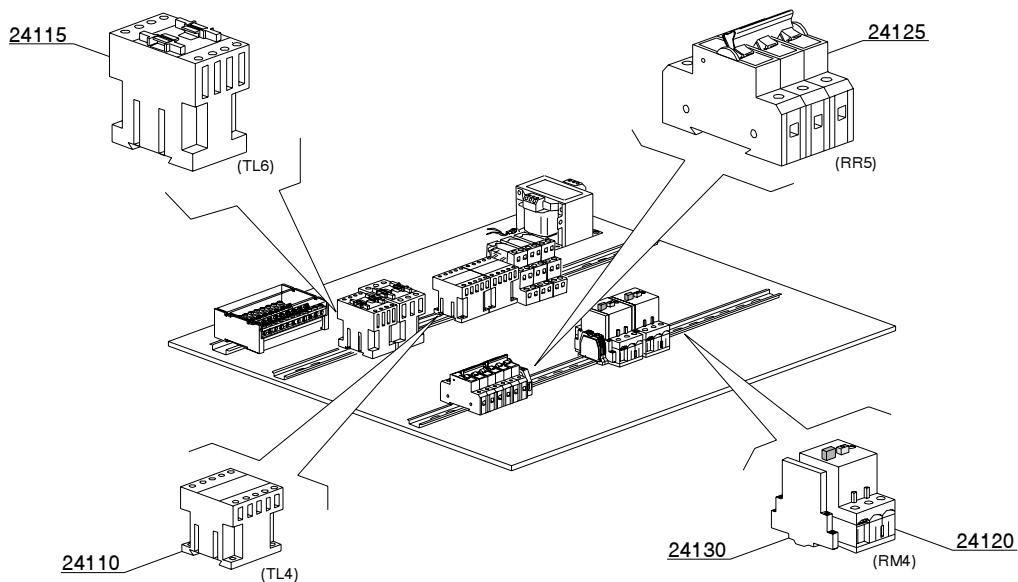
vsezip.ru

ID	P-code	Model	Type	Accessory	Voltage	Description
MODULE:Dryer LC 90 (6kW) - part 2						
8305	15105/A		34,34HS,22,23,24,25,26,27,28,d8,d9			Thermostat knob
8310	3009104		34,34HS,22,23,24,25,26,27,28,d8,d9			Thermostat support
8315	10707/2		34,34HS,22,23,24,25,26,27,28,d8,d9			Thermostat with shaft 0 - 90°
8325	3009085		34,34HS,22,23,24,25,26,27,28,d8,d9			Cover drying conveyor
8330	3009486		34,34HS,22,23,24,25,26,27,28,d8,d9			Right drying conveyor
8330	3009487		34,34HS,22,23,24,25,26,27,28,d8,d9			Left drying conveyor
8345	10200171		34,34HS,22,23,24,25,26,27,28,d8,d9			Gasket FASIT 25x17x2
8350	2000359		34,34HS,22,23,24,25,26,27,28,d8,d9			Drying heating element with nut
8355	3000300		34,34HS,22,23,24,25,26,27,28,d8,d9		A	Motorfan 0,55 kW
8360	3009214		34,34HS,22,23,24,25,26,27,28,d8,d9			Motorfan support
8365	3009275		34,34HS,22,23,24,25,26,27,28,d8,d9			Flange
8370	3000308		34,34HS,22,23,24,25,26,27,28,d8,d9			Pump rotor

vsezip.ru

+7(812)987-08-81

112105_e

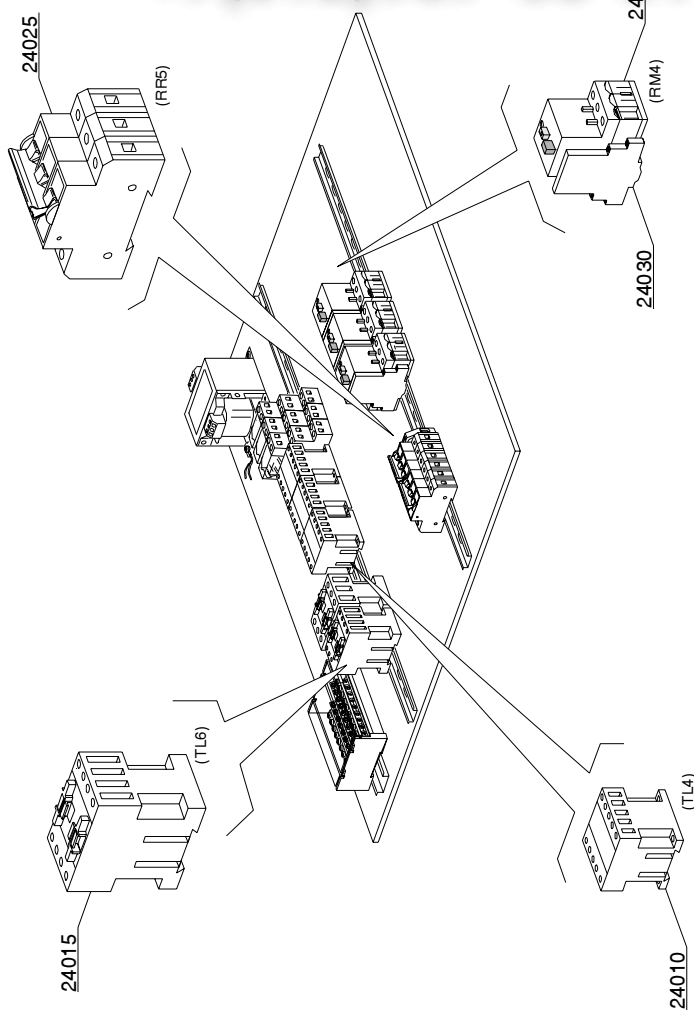


vsezip.ru

ID	P-code	Model	Type	Accessory	Voltage	Description
MODULE:Dryer LC 90 - LC 90/2 (6 - 12kW) - electric components						
24110	2000370		22,d9,d92,974,975		A	Contactora MC9
24115	2000380		22,d9		A	Contactora BF12 (LC90 - 6kW)
24120	2000394		22,d9,d92		A	Motorprotector 2,5-4A (Motorfan 0,75 kW)
24130	3006080		22,160,d9,d92,974, 975		A	Auxiliary contact LMS25

vsezip.ru

+7(812)987-08-81



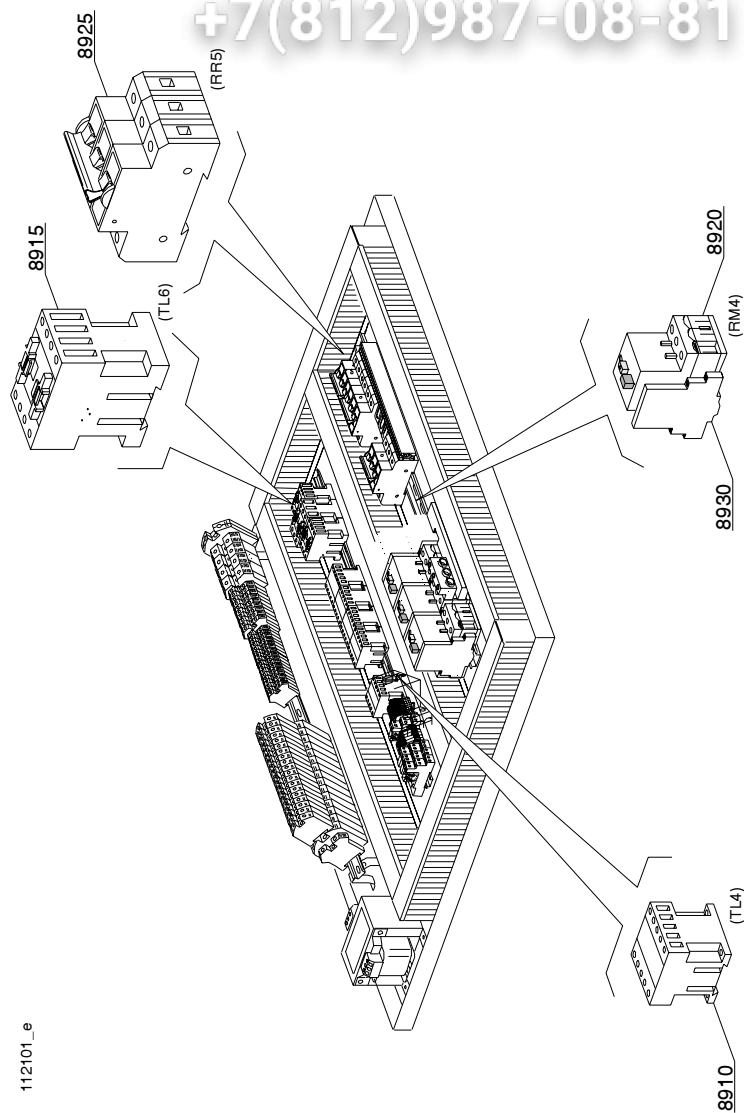
112104_e

vsezip.ru

ID	P-code	Model	Type	Accessory	Voltage	Description
MODULE: Dryer LC 90 - LC 90/2 (6 - 12kW) - electric components						
24010	2000370		23,d9,d92,974,975		A	Contactora MC9
24015	2000380		23,d9		A	Contactora BF12 (LC90 - 6kW)
24015	2000385		23,d9,d92,974,975		A	Contactora BF20 (LC90/2 - 12kW)
24020	2000394		23,d9,d92		A	Motorprotector 2,5-4A (Motorfan 0,75 kW)
24025	2000403		23,d9		A	Automatic fuse C16 (LC90 - 6kW)
24030	3006080		23,d9,d92,974,975		A	Auxiliary contact LMS25

vsezip.ru

+7(812)987-08-81



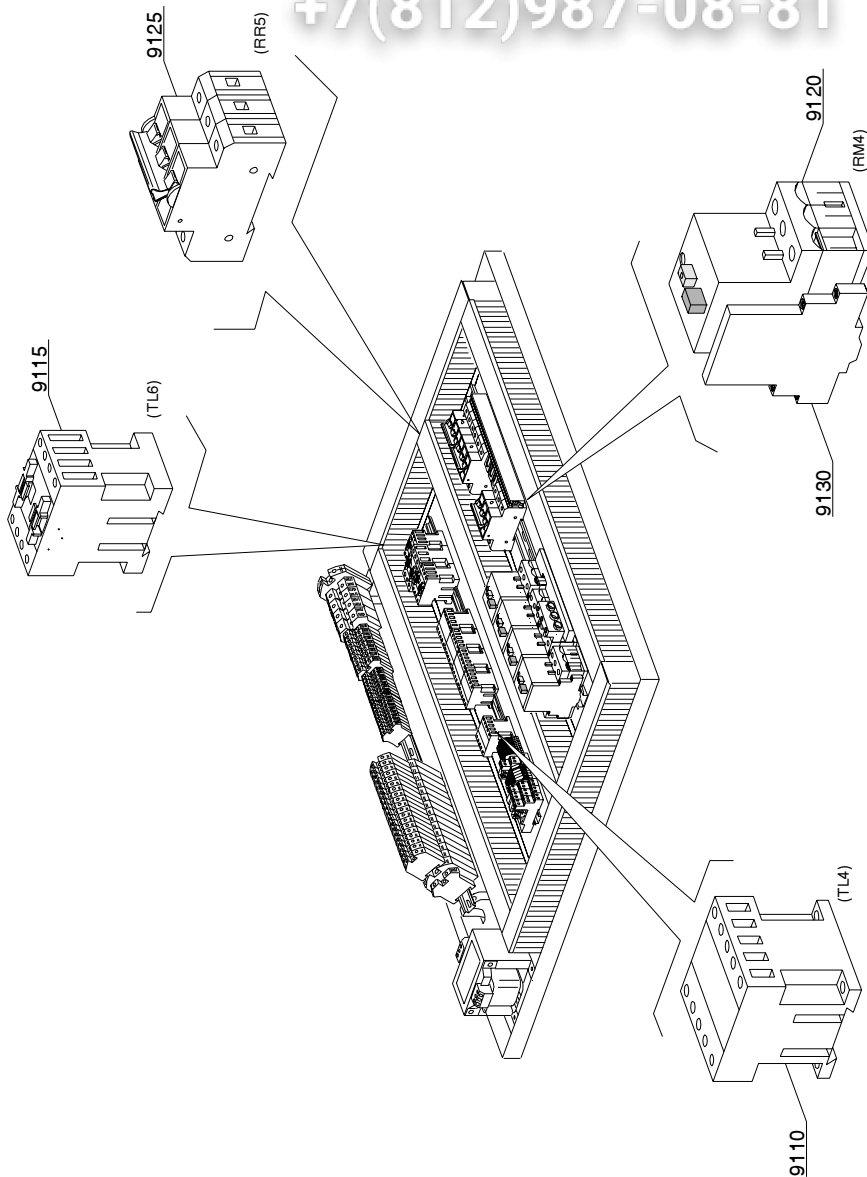
112101_e

vsezip.ru

ID	P-code	Model	Type	Accessory	Voltage	Description
MODULE:Dryer LC 90 - LC 90/2 -LC 90/4 (6 - 12 - 18kW) - electric components						
8910	2000370		24,250,d9,d92,974,975 ,d94		A	Contactora MC9
8915	2000380		24,d9		A	Contactora BF12 (LC90 - 6kW)
8920	2000394		24,d9,d92		A	Motorprotector 2,5-4A (Motorfan 0,75 kW)
8925	2000403		24,d9		A	Automatic fuse C16 (LC90 - 6kW)
8930	3006080		24,250,d9,d92,974,975 ,d94		A	Auxiliary contact LMS25

vsezip.ru

+7(812)987-08-81



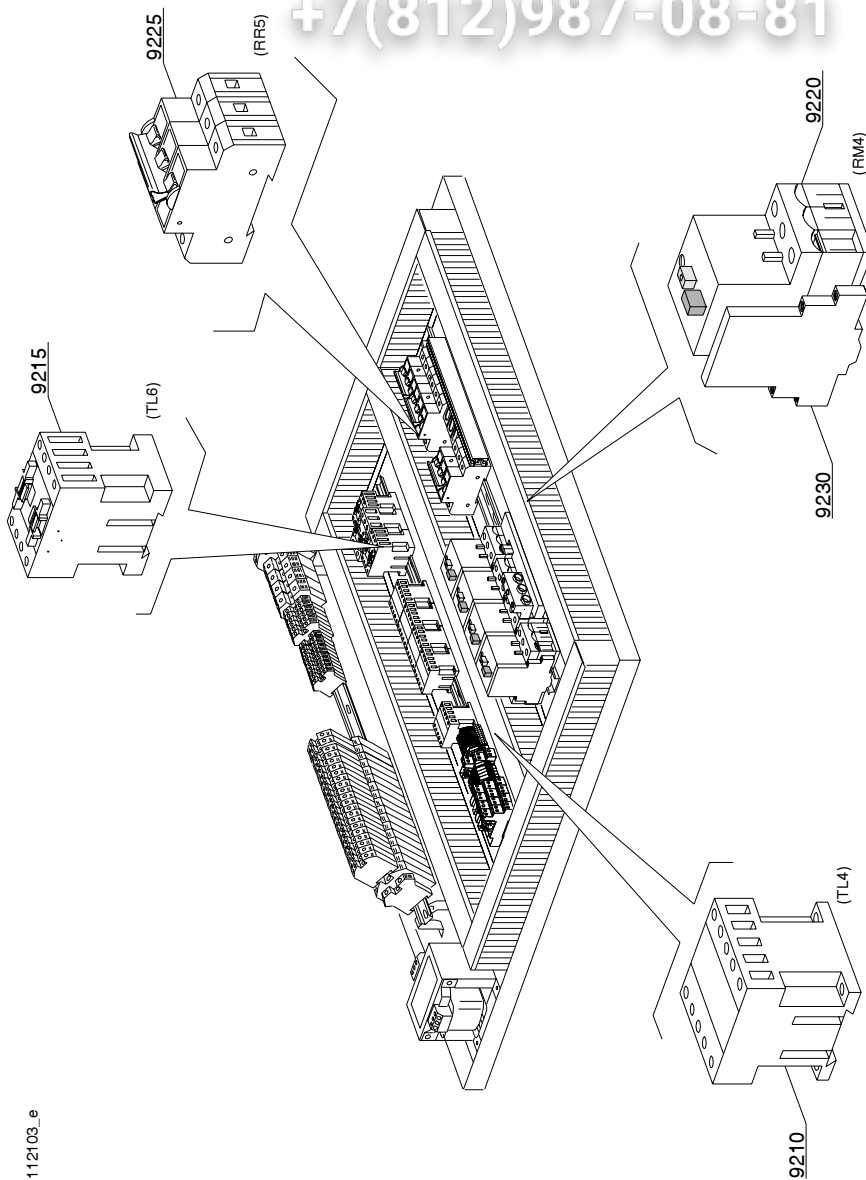
112102_e

vsezip.ru

ID	P-code	Model	Type	Accessory	Voltage	Description
MODULE:Dryer LC 90 - LC 90/2 -LC 90/4 (6 - 12 - 18kW) - electric components						
9110	2000370		25,d9,d92,974,975,d94		A	Contactora MC9
9115	2000380		25,d9		A	Contactora BF12 (LC90 - 6kW)
9120	2000394		25,d9,d92		A	Motorprotector 2,5-4A (Motorfan 0,75 kW)
9125	2000403		25,d9		A	Automatic fuse C16 (LC90 - 6kW)
9130	3006080		25,d9,d92,974,975,d94		A	Auxiliary contact LMS25

vsezip.ru

+7(812)987-08-81



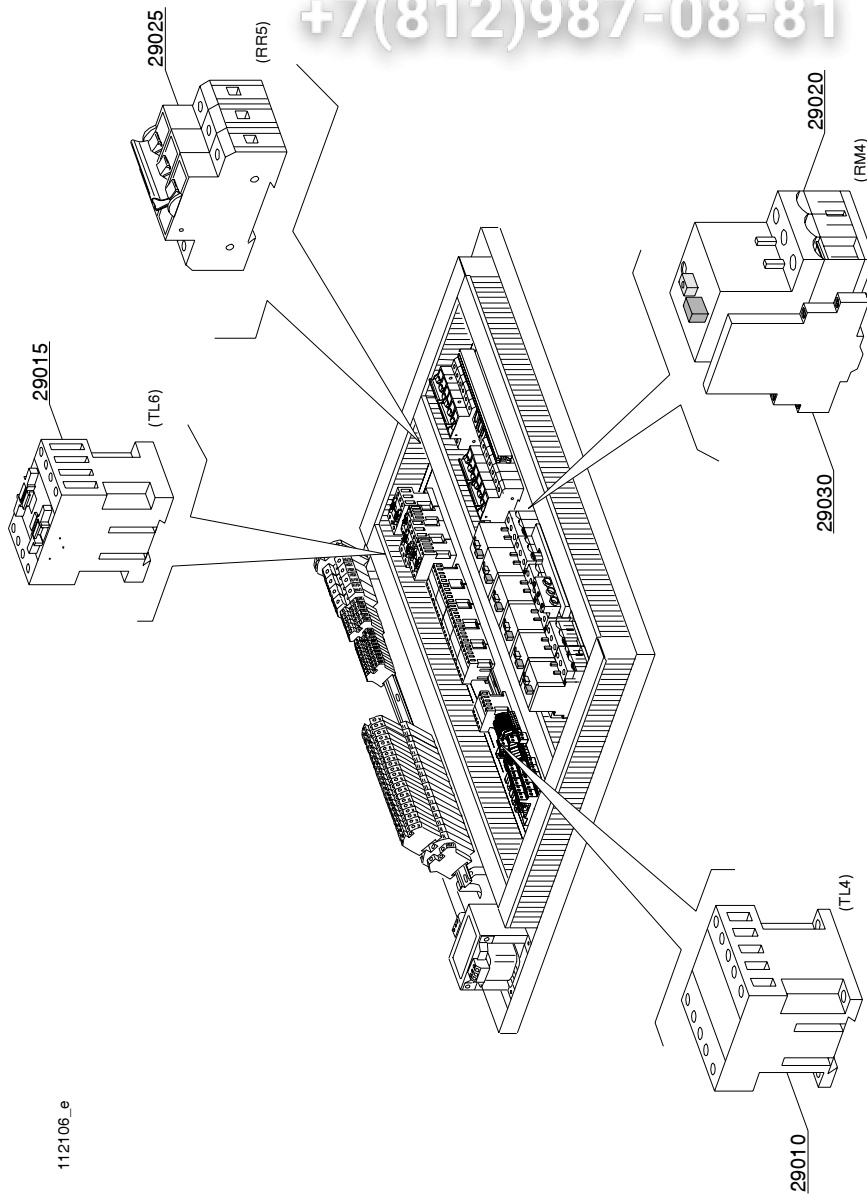
112103_e

vsezip.ru

ID	P-code	Model	Type	Accessory	Voltage	Description
MODULE: Dryer LC 90 - LC 90/2 - LC 90/4 (6 - 12 - 18 kW) - electric components						
9210	2000370		26,380,380L,d9,d92,97 4,975,d94		A	Contactora MC9
9215	2000380		26,d9		A	Contactora BF12 (LC90 - 6kW)
9220	2000394		26,d9,d92		A	Motorprotector 2,5-4A (Motorfan 0,75 kW)
9225	2000403		26,d9		A	Automatic fuse C16 (LC90 - 6kW)
9230	3006080		26,380,380L,d9,d92,97 4,975,d94		A	Auxiliary contact LMS25

vsezip.ru

+7(812)987-08-81



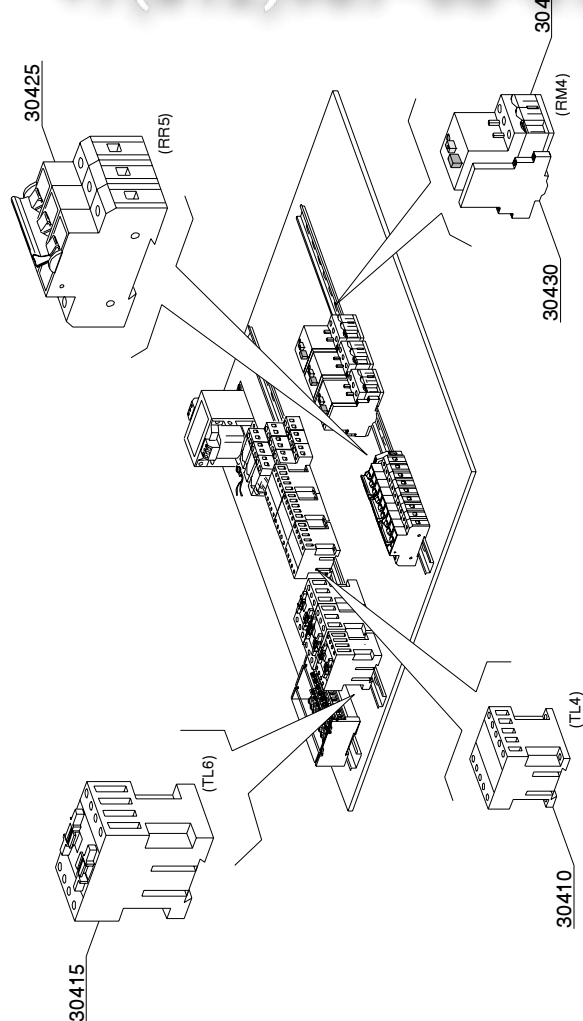
1121 06_e

vsezip.ru

ID	P-code	Model	Type	Accessory	Voltage	Description
MODULE:Dryer LC 90 - LC 90/2 - LC90/4 (6 - 12 - 18kW) - electric components						
29010	2000370		27,28,540,540L,d9,d92, ,974,975,d94		A	Contactora MC9
29015	2000380		27,28,d9		A	Contactora BF12 (LC90 - 6kW)
29020	2000394		27,28,d9,d92		A	Motorprotector 2,5-4A (Motorfan 0,75 kW)
29025	2000403		27,28,d9		A	Automatic fuse C16 (LC90 - 6kW)
29030	3006080		27,28,540,540L,d9,d92, ,974,975,d94		A	Auxiliary contact LMS25

vsezip.ru

+7(812)987-08-81



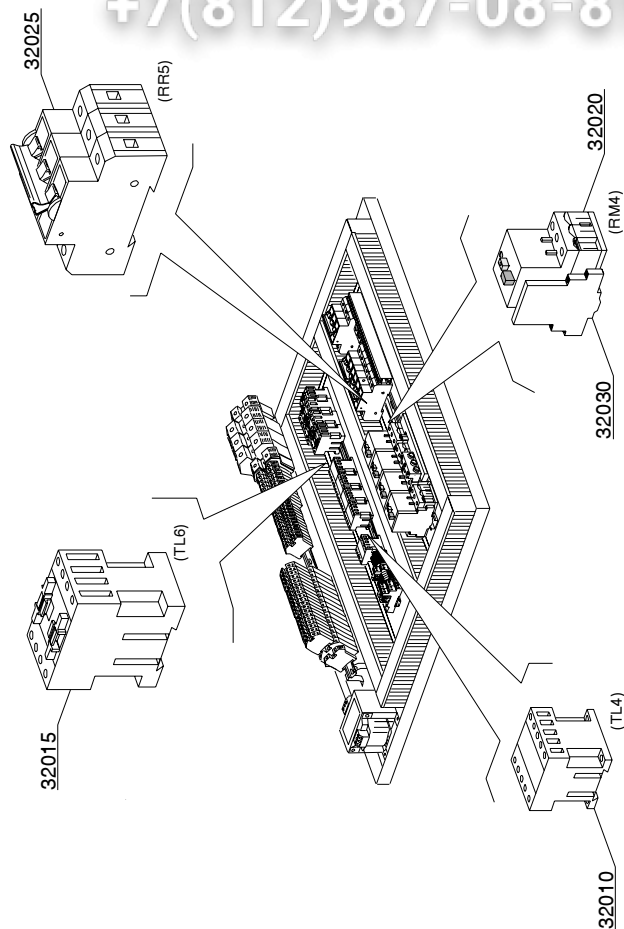
112107_e

vsezip.ru

ID	P-code	Model	Type	Accessory	Voltage	Description
MODULE:Dryer LC 90 - LC 90/2 (6 - 12kW) - electric components						
30410	2000370		71,d9,d92,974,975		A	Contactora MC9
30420	2000394		71,d9,d92		A	Motorprotector 2,5-4A (Motorfan 0,75 kW)
30430	3006080		71,d9,d92,974,975		A	Auxiliary contact LMS25

vsezip.ru

+7(812)987-08-81



112108_e

vsezip.ru

ID	P-code	Model	Type	Accessory	Voltage	Description
MODULE:Dryer LC 90 - LC 90/2 (6 - 12kW) - electric components						
32010	2000370		72,d9,d92,974,975		A	Contactora MC9
32020	2000394		72,d9,d92		A	Motorprotector 2,5-4A (Motorfan 0,75 kW)
32030	3006080		72,d9,d92,974,975		A	Auxiliary contact LMS25