

Зип Общепит

vsezip.ru

+7(812)987-08-81

# WAREWASHER

ELECTRONICAL SWITCHES  
SIMPLE BODY VERSION  
LOWER AND UPPER VERSION

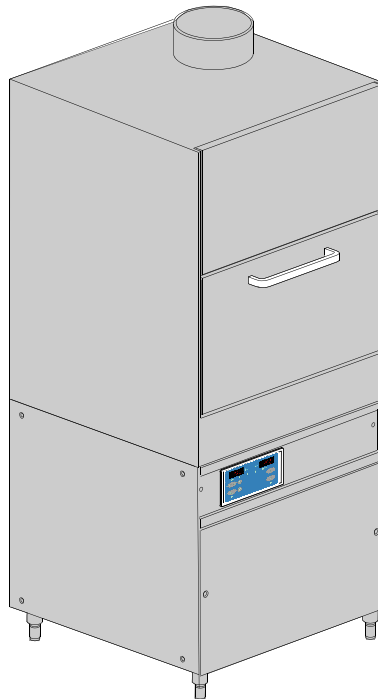
TYPE: 18ER

Accessories  
BOOSTER PUMP  
DVGW  
DETERGENT DISPENSER  
DRAIN PUMP

---

## Spare Parts Manual

---



INFORMAZIONI GENERALI

Questo catalogo serve per richiedere con esattezza le parti di ricambio

Nelle ordinazioni indicare:

1) il numero dei codici dei particolari seguito dalla descrizione e la quantità desiderata;

2) Il codice alfa-numerico presente nella seconda colonna della tabella ;

I disegni delle parti di ricambio sono solo indicativi e non rappresentano il pezzo in oggetto.

I dati contenuti in questo catalogo sono indicativi e possono essere soggetti a modifiche senza impegno di preavviso.

ALLGEMEINE INFORMATIONEN

Dieser Ersatzteilkatalog dient zur genauen Angabe der Teile bei Ersatzteilbestellungen.

Bei Ersatzbestellung ist folgendes anzugeben:

1) Die Bestellnummer der Ersatzteile mit der entsprechenden Beschreibung genaue Menge;

2) Der alpha-numerischer Code auf der zweiten Reihe in dein Sculd;

Die Zeichnungen der Ersatzteile sind nur als Hinweise gedacht und stellen nicht das betroffene Teil dar.

Bei den im Katalog angeführten Daten handelt es sich um Anhaltsdaten, die jederzeit, ohne Vorankündigung, geändert werden können.

GENERAL INFORMATION

The present spare parts order exactly the right spare parts

When ordering specify:

1) the part's code number followed by its description and quantity needed;

2) The alpha-numeric code is in the second column in the chart;

Spare parts drawings are general and do not represent the part.

The contents of this catalogue are general and can undergo changes without prior notice.

INFORMACIONES GENERALES

El presente catálogo sirve para pedir con exactitud las partes de repuesto

En los pedidos se debe indicar:

1) el número de código de la parte y a continuación la descripción cantidad deseada;

2) El código alfanumerico presente en la segnada columna de la tabla;

Los diseños de las partes de recambio son solo indicativos y no representan la pieza en cuestión.

Los datos contenidos en el presente catálogo son indicativos y pueden modificarse sin aviso previo.

INFORMATIONS GENERALES

Ce catalogue permet de commander correctement les pièces détachées

Les commandes doivent être passées en indiquant:

1) le numero de code des pièces détachées suivi de leur description quantité désirée;

2) le code alphanumérique dans la deuxième colonne du tableau;

Les plans des pièces détachées sont fournis seulement à titre indicatif et ne représentent pas la pièce concernée.

Les données de ce catalogue sont citées seulement à titre indicatif et peuvent être l'objet de modifications sans avis préalable.

ESEMPIO  
EXAMPLE  
EXEMPLE  
BEISPIEL

| Rif.               | Codici  |
|--------------------|---------|
| MODULE:Particolari |         |
| 10505              | 540903  |
| 10510              | 540908  |
| 10515              | 15065/A |
| 10520              | 540086  |
| 10525              | 540028  |

Note

Tutte le informazioni riportate si intendono aggiornate alla data di stampa. Il Produttore si riserva il diritto di apportare qualsiasi modifica richiesta dallo sviluppo evolutivo dei suddetti prodotti.

Per la sicurezza, la garanzia, l'affidabilità ed il valore della lavastoviglie usa solo ricambi originali. **Per alcuni codici, sono richieste quantità minime d'ordine.**

Attenzione

Questo libretto è parte integrante della lavastoviglie e, in caso di passaggio di proprietà, deve essere consegnato al nuovo acquirente.

Note

The information contained herein is valid at the time of going to print. The Company reserves the right to make any changes required by the future development of the above-mentioned products.

For your safety, as well as to preserve the warranty reliability and worth of your dishwashers, use original spare parts only. **For some codes a minimum quantity for order is required.**

Warning

This manual forms an integral part of the dishwashers and - if a transfer of title occurs - must always be handed over to the new owner.

Remarque

Toutes les informations contenues dans ce manuel s'entendent mises à jour à la date d'impression. En raison du développement constant de ses produits, usine se réserve le droit d'apporter à tout instant les modifications qu'elle jugera utiles.

Pour la sécurité, la garantie, la fiabilité et la valeur de votre lavevaisselles n'utilisez que des pièces de rechange d'origine. **Pour quelque référence on demande un minimum de pièces par commande**

Attention

Ce manuel doit être considéré comme partie intégrante de la lavevaisselles, en cas de transfert de propriété, doit toujours être remis au nouveau propriétaire.

Hinweis

Die Der Hersteller behält sich das Recht vor, jegliche, durch eine Weiterentwicklung der genannten Produkte bedingte Änderungen vornehmen zu können.

Verwenden Sie für Ihre Sicherheit, die Garantie, die Zuverlässigkeit und den Wert Ihrer machine originale Ersatzteile. **Für bestimmte Code nummer werden mindesten bestellungen verlangt.**

Achtung

Diese Betriebsanleitung ist Bestandteil des machine und muss bei seinem Weiterverkauf dem neuen Besitzer ausgehändigt werden.

vsezip.ru  
+7(812)987-08-81

**Code** 999XXYYYY **CL/Part**

**Model DESCRIPTION**

**S/N** 04012345 **Type** .....

400VAC3N 50HZ 8A  
3500W 500W

16A

**200-500**

**TECHICAL SPECIFICATION**

**MADE IN ITALY**

Temperatura massima acqua in ingresso **60°C**  
 Temperature max eau a l'entre  
 Maximale Temperatur Wasseranschluß  
 Maximum Water temperature in-feeding

Pressione Dinamica alimentazione idrica  
 Pression dynamique arrivée d'eau  
 Dynamic pressure water supply  
 Dynamischer Druck assereinlauf

Pressione dinamica vapore saturo  
 Pression dynamique vapeur satueèè  
 Dyanischer Druck gesattigter Dampf  
 Pression Dinamica Vapor Saturado

Model

S/N

**CODE 999 XX YYYY**

FAMIGLIA PRODOTTO  
 FAMILY PRODUCT  
 FAMILLE DU PRODUIT  
 FAMILIA PRODUCTO  
 FAMILIE DES PRODUKTES

CODICE MODELLO  
 CODE MODEL  
 CODE ARTICLE  
 CODIGO MODELO  
 KODE VON MODELL

**S/N 04 012345**

ANNO  
 YEAR  
 ANNÉE  
 AN"O  
 JAHR

NUMERO DI SERIE  
 SERIAL NUMBER  
 NUMÉRO DI SÉRIE  
 NUMERO DI SERIE  
 SERIENNUMMER

Spare parts

---

**Зип Общепит**

**vsezip.ru**

**+7(812)987-08-81**

vsezip.ru

+7(812)987-08-81

## 1. Spare parts

|   |    |
|---|----|
| General body parts.....                 | 7  |
| Lockup system .....                     | 9  |
| Control panel and switches.....         | 11 |
| Electric control components.....        | 13 |
| Solenoid valve group .....              | 15 |
| Booster pump.....                       | 17 |
| DVGW .....                              | 19 |
| Rinse aid dispenser group.....          | 21 |
| Boiler group .....                      | 23 |
| 3 ways connection .....                 | 25 |
| Wash pump .....                         | 27 |
| Dosing detergent group.....             | 29 |
| Drain pump group.....                   | 31 |
| Pressure switch group with air trap ... | 33 |
| Turret group with rotating arms .....   | 35 |
| Turret group with rotating arms .....   | 37 |

vsezip.ru

+7(812)987-08-81

## 1.1 Voltage codes

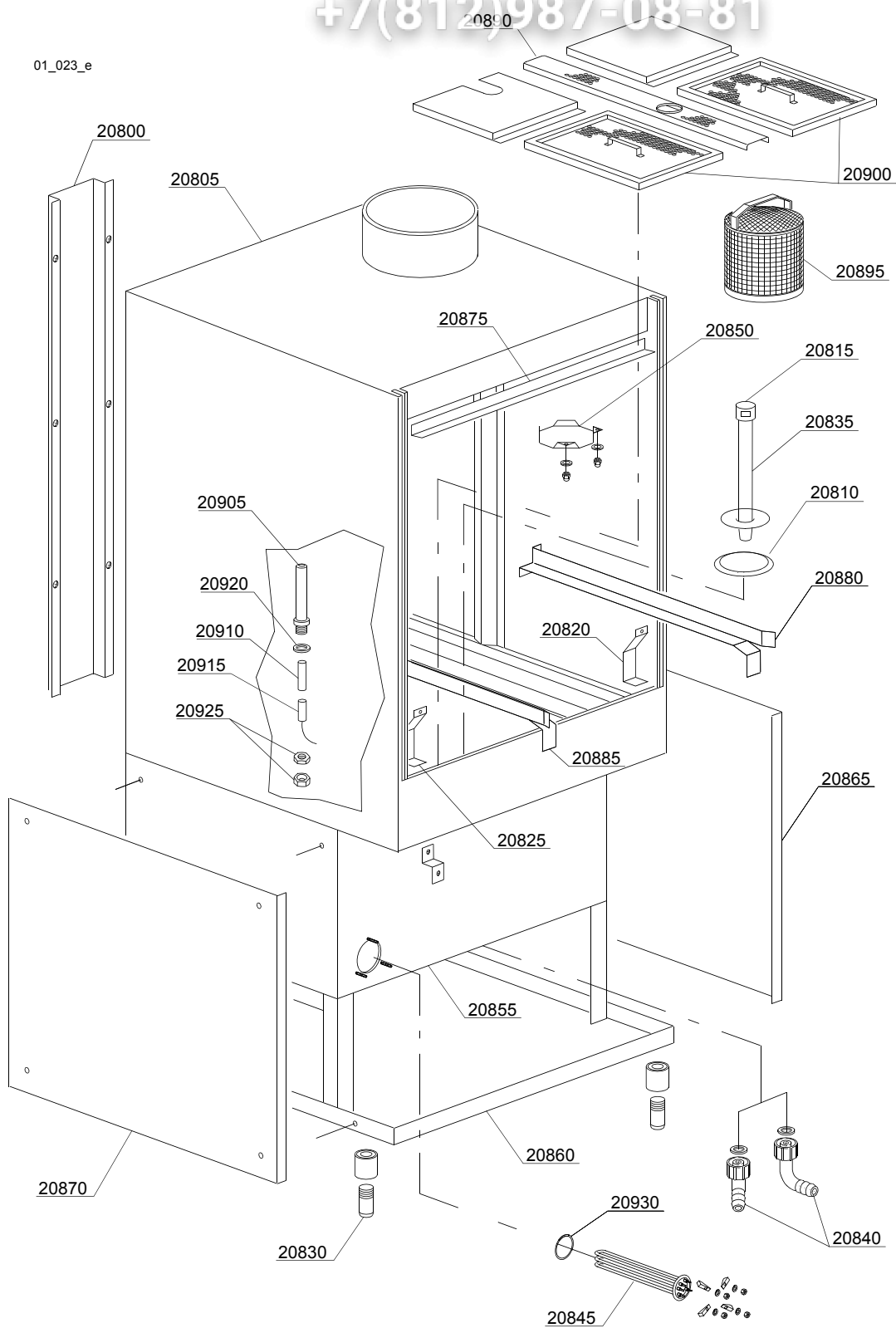
| Volt | Voltage code            |
|------|-------------------------|
| A    | 3/N/PE~380-400V 50-60Hz |
| D    | 3/PE~200-210V 50-60Hz   |
| F    | 2/PE~220-240V 50-60Hz   |
| G    | 3/N/PE~415V 50-60Hz     |
| H    | 3/PE~220-230V 50-60Hz   |
| K    | 3/PE~380-400V 50-60Hz   |
| L    | 3/PE~415V 50-60Hz       |
| M    | 3/PE~440V 60Hz          |
| P    | 1/N/PE~220-230V 50-60Hz |
| R    | 2/PE~220-240V 50-60Hz   |
| U    | 1/N/PE~240V 50-60Hz     |
| V    | 3/PE~240V 50-60Hz       |
| W    | 1/N/PE~100-110V 50-60Hz |

## 1.2 Product codes

| Product code    | Full name               |
|-----------------|-------------------------|
| Model codes     |                         |
| e               | ELECTRONICAL SWITCHES   |
| mc              | SIMPLE BODY VERSION     |
| uw              | LOWER AND UPPER VERSION |
| Type codes      |                         |
| 18ER            | 18ER                    |
| Accessory codes |                         |
| bp              | BOOSTER PUMP            |
| dvgw            | DVGW                    |
| dd              | DETERGENT DISPENCER     |
| dp              | DRAIN PUMP              |

vsezip.ru

+7(812)987-08-81





| ID                               | P-code     | SN from | SN to | Mod | Acces | Volt            | Description                         |
|----------------------------------|------------|---------|-------|-----|-------|-----------------|-------------------------------------|
| <b>Module:General body parts</b> |            |         |       |     |       |                 |                                     |
| 20800                            | 88907      |         | -     | mc  |       |                 | Back panel                          |
| 20805                            | 80901      |         | -     | mc  |       |                 | Complete structure                  |
| 20810                            | 11600002   |         | -     | mc  |       |                 | Flange O-ring                       |
| 20815                            | 11600019   |         | -     | mc  |       |                 | Terminal overflow pipe              |
| 20820                            | 80936      |         | -     | mc  |       |                 | Right splash guard                  |
| 20825                            | 80937      |         | -     | mc  |       |                 | Left splash guard                   |
| 20830                            | 80116      |         | -     | mc  |       |                 | Foot 2" M65                         |
| 20835                            | 80226      |         | -     | mc  |       |                 | Overflow pipe                       |
| 20840                            | 15613      |         | -     | mc  |       |                 | Elbow 1¼"                           |
| 20845                            | 30001010   |         | -     | mc  |       | A,H,K,L,P,R,U,V | Heating element 6/6,53KW 230/240V 3 |
| 20845                            | 30001011   |         | -     |     |       | A,H,K,L,P,R,U,V | Heating element 9/9,8KW 230/240V 3  |
| 20845                            | 30001011/C |         | -     |     |       | M               | heating element 9KW 254/440V        |
| 20850                            | 80931      |         | -     | mc  |       |                 | Chimney splash guard                |
| 20855                            | 80900      |         | -     | mc  |       |                 | Tank                                |
| 20860                            | 80904      |         | -     | mc  |       |                 | Frame base                          |
| 20865                            | 80907      |         | -     | mc  |       |                 | Right side panel                    |
| 20870                            | 80908      |         | -     | mc  |       |                 | Left side panel                     |
| 20875                            | 80935      |         | -     | mc  |       |                 | Upper chimney                       |
| 20880                            | 80910      |         | -     | mc  |       |                 | Right internal slide                |
| 20885                            | 80911      |         | -     | mc  |       |                 | Left internal slide                 |
| 20890                            | 80930      |         | -     | mc  |       |                 | Sleeper holder-filter               |
| 20895                            | 80720      |         | -     | mc  |       |                 | Suction filter                      |
| 20900                            | 80721      |         | -     | mc  |       |                 | Strainer plate                      |
| 20905                            | 88120      |         | -     | mc  |       |                 | Sensor holder                       |
| 20910                            | 88120/A    |         | -     | mc  |       |                 | Reed spacer                         |
| 20915                            | 2000309    |         | -     | mc  |       |                 | Sensor                              |
| 20920                            | 10200171   |         | -     | mc  |       |                 | Gasket 17x25x2 (minimum 10 pieces)  |
| 20925                            | 22214      |         | -     | mc  |       |                 | Nut                                 |

e=ELECTRONICAL SWITCHES, mc=SIMPLE BODY VERSION, uw=LOWER AND UPPER VERSION

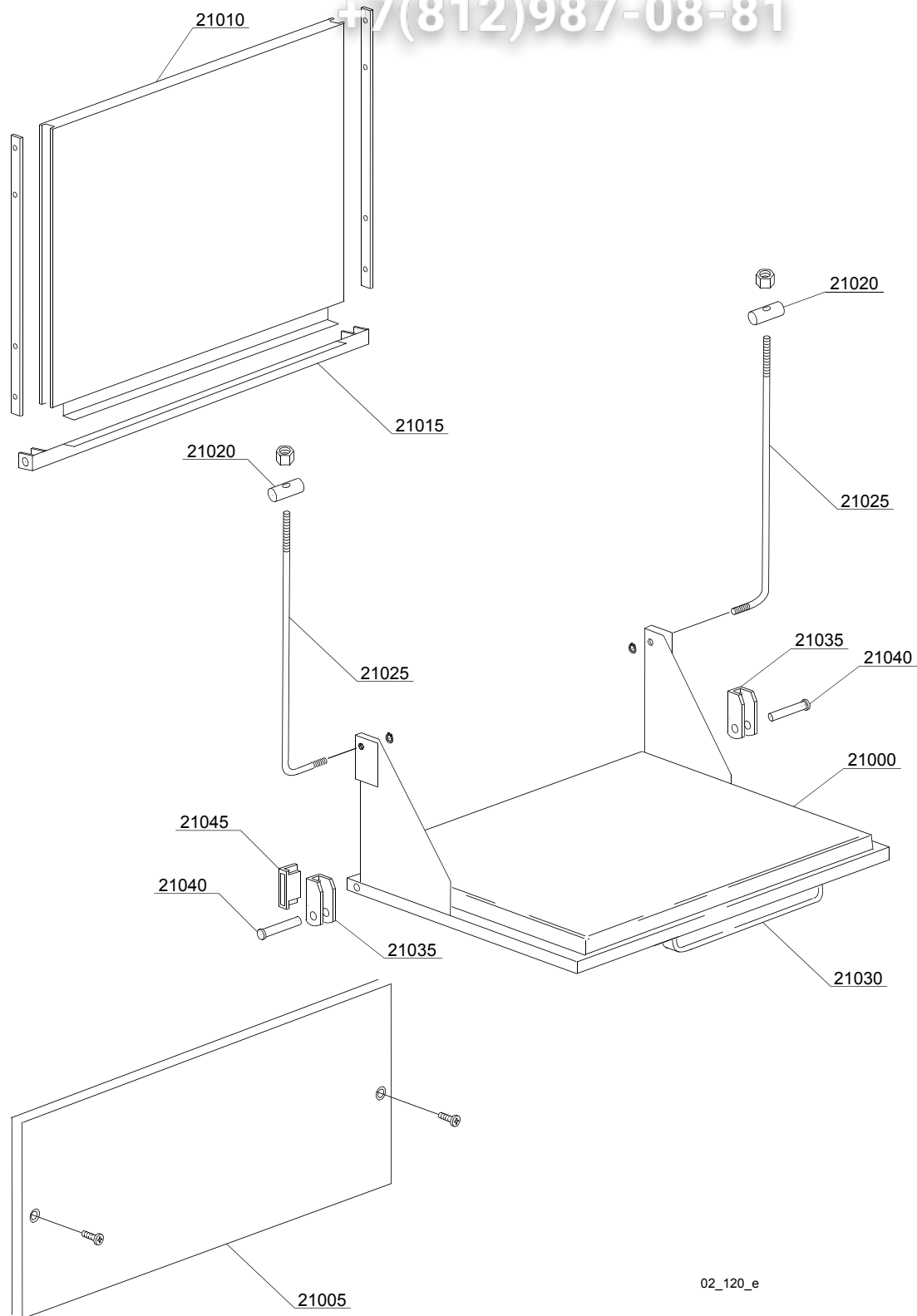
18ER=18ER

bp=BOOSTER PUMP, dvgw=DVGW, dd=DETERGENT DISPENCER, dp=DRAIN PUMP

A=3/N/PE~380-400V 50-60Hz, D=3/PE~200-210V 50-60Hz, F=2/PE~220-240V 50-60Hz, G=3/N/PE~415V 50-60Hz, H=3/PE~220-230V 50-60Hz, K=3/PE~380-400V 50-60Hz, L=3/PE~415V 50-60Hz, M=3/PE~440V 60Hz, P=1/N/PE~220-230V 50-60Hz, R=2/PE~220-240V 50-60Hz, U=1/N/PE~240V 50-60Hz, V=3/PE~240V 50-60Hz, W=1/N/PE~100-110V 50-60Hz

vsezip.ru

+7(812)987-08-81



02\_120\_e

vsezip.ru

| ID                           | P-code  | SN from | SN to | Mod. | Acces. | Volt | Description    |
|------------------------------|---------|---------|-------|------|--------|------|----------------|
| <b>Module: Lockup system</b> |         |         |       |      |        |      |                |
| 21000                        | 80903   |         | -     |      |        |      | Lower door     |
| 21005                        | 80906   |         | -     |      |        |      | Front panel    |
| 21010                        | 80902   |         | -     |      |        |      | Upper door     |
| 21015                        | 80938   |         | -     |      |        |      | Levers support |
| 21020                        | 22219   |         | -     |      |        |      | Pin            |
| 21025                        | 22220   |         | -     |      |        |      | Door rod       |
| 21030                        | 80750   |         | -     |      |        |      | Handle         |
| 21035                        | 22206/B |         | -     |      |        |      | Door hinge     |
| 21040                        | 22220/A |         | -     |      |        |      | Pin for door   |
| 21045                        | 80232   |         | -     |      |        |      | Door magnet    |

e=ELECTRONICAL SWITCHES, mc=SIMPLE BODY VERSION, uw=LOWER AND UPPER VERSION

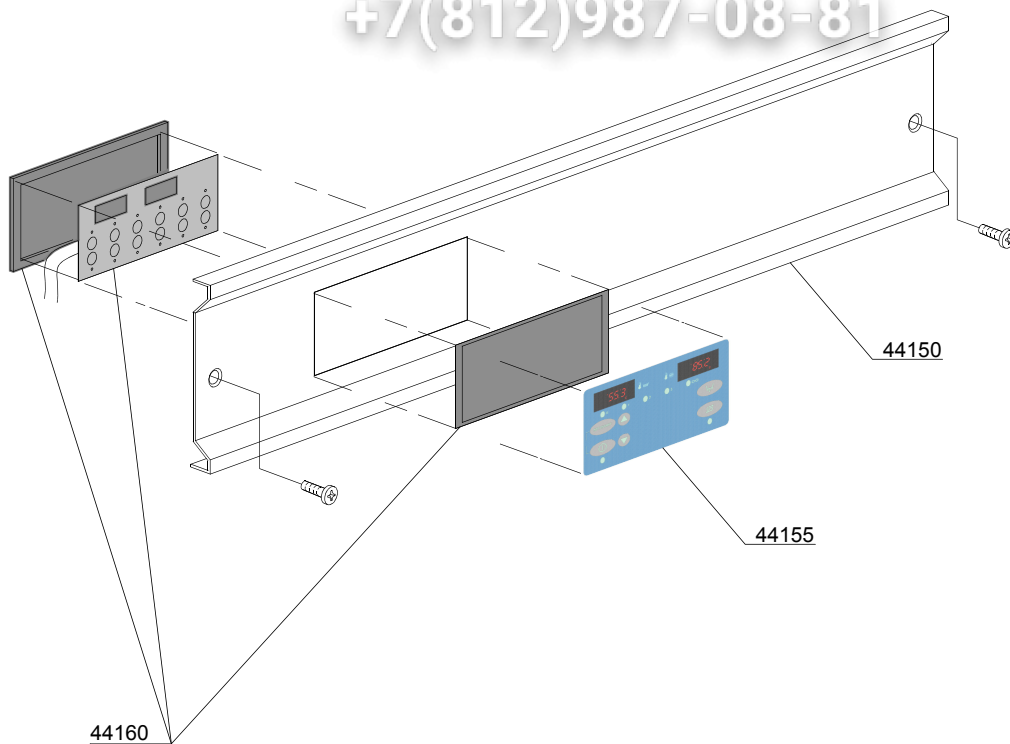
18ER=18ER

bp=BOOSTER PUMP, dvgw=DVGW, dd=DETERGENT DISPENCER, dp=DRAIN PUMP

A=3/N/PE~380-400V 50-60Hz, D=3/PE~200-210V 50-60Hz, F=2/PE~220-240V 50-60Hz, G=3/N/PE~415V 50-60Hz, H=3/PE~220-230V 50-60Hz, K=3/PE~380-400V 50-60Hz, L=3/PE~415V 50-60Hz, M=3/PE~440V 60Hz, P=1/N/PE~220-230V 50-60Hz, R=2/PE~220-240V 50-60Hz, U=1/N/PE~240V 50-60Hz, V=3/PE~240V 50-60Hz, W=1/N/PE~100-110V 50-60Hz

vsezip.ru

+7(812)987-08-81



03\_049\_e

vsezip.ru

| ID                                       | P-code  | SN from | SN to | Mod  | Acces. | Volt | Description  |
|--|---------|---------|-------|------|--------|------|--|
| <b>Module:Control panel and switches</b> |         |         |       |      |        |      |  |
| 44150                                    | 80909   |         | -     | e,mc |        |      | Stainless steel control panel  |
| 44155                                    | 50571   |         | -     | e,mc |        |      | Silkscreen processed grill membrane push button-driven dp+ws         |
| 44155                                    | 50575   |         | -     | e,mc |        |      | Neutral Silkscreen processed grill membrane push button-driven dp+ws |
| 44160                                    | 50570/A |         | -     | e,mc |        |      | Complete membrane push button-driver L=1500                          |

e=ELECTRONICAL SWITCHES, mc=SIMPLE BODY VERSION, uw=LOWER AND UPPER VERSION

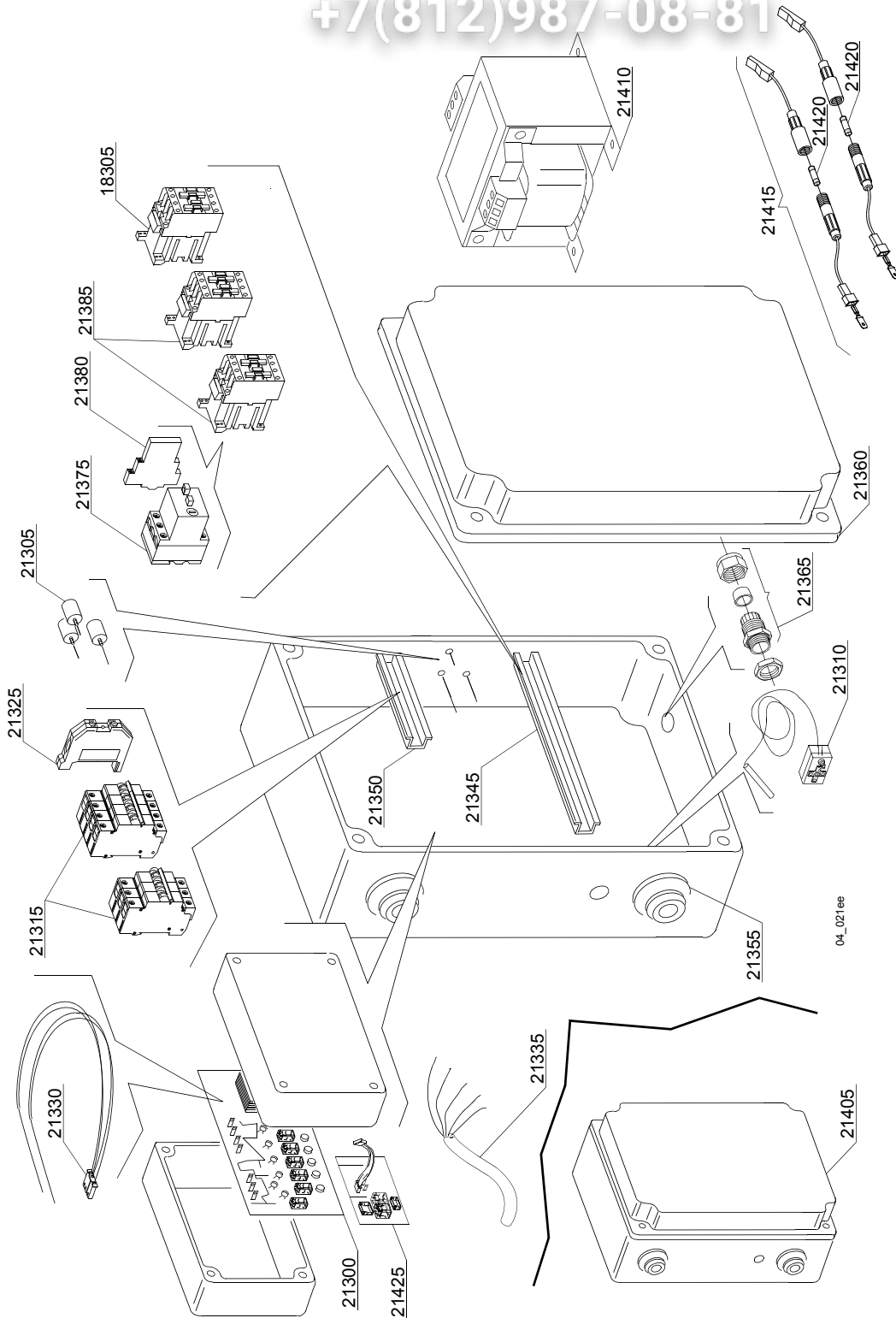
18ER=18ER

bp=BOOSTER PUMP, dvgw=DVGW, dd=DETERGENT DISPENCER, dp=DRAIN PUMP

A=3/N/PE~380-400V 50-60Hz, D=3/PE~200-210V 50-60Hz, F=2/PE~220-240V 50-60Hz, G=3/N/PE~415V 50-60Hz, H=3/PE~220-230V 50-60Hz, K=3/PE~380-400V 50-60Hz, L=3/PE~415V 50-60Hz, M=3/PE~440V 60Hz, P=1/N/PE~220-230V 50-60Hz, R=2/PE~220-240V 50-60Hz, U=1/N/PE~240V 50-60Hz, V=3/PE~240V 50-60Hz, W=1/N/PE~100-110V 50-60Hz

vsezip.ru

+7(812)987-08-81



| ID   | P-code   | SN from | SN to | Mod | Acces. | Volt                | Description                               |
|--|----------|---------|-------|-----|--------|---------------------|---|
| <b>Module: Electric control components</b> |          |         |       |     |        |                     |   |
| 21300                                      | 50569    |         | -     |     |        | A,H,K,P             | Timer                                     |
| 21305                                      | 15149    |         | -     |     |        | A,H,K,P             | Filter F3                                 |
| 21305                                      | 15187    |         | -     |     |        | M                   | Low noise filter F3 440Vac3               |
| 21310                                      | 2000430  |         | -     |     |        |                     | Thermostat                                |
| 21315                                      | 2000409  |         | -     |     |        |                     | Automatic fuse C40                        |
| 21315                                      | 2000411  |         | -     |     |        |                     | Automatic fuse C32                        |
| 21325                                      | 10300401 |         | -     |     |        |                     | Clamp                                     |
| 21330                                      | 50562    |         | -     |     |        |                     | Sensor                                    |
| 21335                                      | 80200    |         | -     |     |        | A,G                 | Power supply cable 5x4x3400               |
| 21335                                      | 75359    |         | -     |     |        | D,F,H,K,L,<br>M,R,V | 4x6 flame-retardant cable                 |
| 21345                                      | 80408    |         | -     |     |        |                     | L=345mm slide                             |
| 21350                                      | 80409    |         | -     |     |        |                     | L=140mm slide                             |
| 21355                                      | 80417    |         | -     |     |        |                     | lead through rubber                       |
| 21360                                      | 80407    |         | -     |     |        |                     | Plastic box                               |
| 21365                                      | 80414    |         | -     |     |        |                     | Cable-press                               |
| 21370                                      | 15086    |         | -     |     |        |                     | Contacteur 230 V                          |
| 21375                                      | 2000390  |         | -     |     |        |                     | Motorprotector 1 - 1.6A                   |
| 21380                                      | 3006080  |         | -     |     |        |                     | Auxiliary contact LMS25                   |
| 21385                                      | 10300050 |         | -     |     |        | A,F,H,K,P,<br>R     | Contacteur 25A/12A 4NA 230V               |
| 21385                                      | 10300052 |         | -     |     |        | A,F,H,K,P,<br>R     | 36A/20A contactor - 230V 50/60HZ          |
| 21385                                      | 10300054 |         | -     |     |        | A,F,H,K,P,<br>R     | Contacteur 25A/16A 4NA 230V               |
| 21410                                      | 15384    |         | -     |     |        |                     | 500VA 0-230-400-415-440/230V tranformer   |
| 21410                                      | 15381    |         | -     |     |        |                     | 160VA 0-230-400-415-440/230V tranformer   |
| 21415                                      | 15147    |         | -     |     |        |                     | 5x20 fuse holder                          |
| 21420                                      | 15161    |         | -     |     |        |                     | 5x20 1,6A fuse                            |
| 21425                                      | 50559    |         | -     |     |        |                     | Electronic Timer optional+On-Board EXP-PS |

e=ELECTRONICAL SWITCHES, mc=SIMPLE BODY VERSION, uw=LOWER AND UPPER VERSION

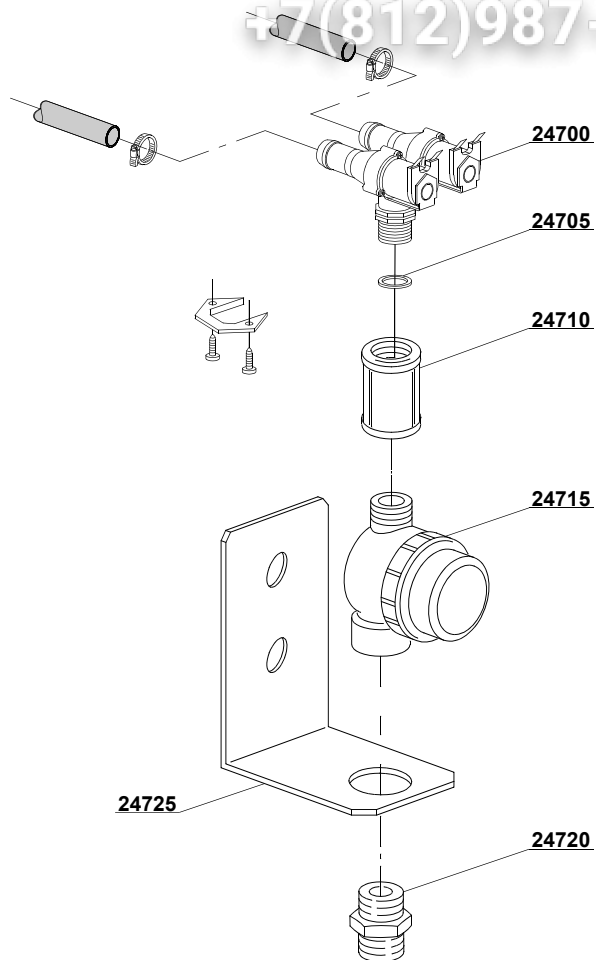
18ER=18ER

bp=BOOSTER PUMP, dvgw=DVGW, dd=DETERGENT DISPENCER, dp=DRAIN PUMP

A=3/N/PE~380-400V 50-60Hz, D=3/PE~200-210V 50-60Hz, F=2/PE~220-240V 50-60Hz, G=3/N/PE~415V 50-60Hz, H=3/PE~220-230V 50-60Hz, K=3/PE~380-400V 50-60Hz, L=3/PE~415V 50-60Hz, M=3/PE~440V 60Hz, P=1/N/PE~220-230V 50-60Hz, R=2/PE~220-240V 50-60Hz, U=1/N/PE~240V 50-60Hz, V=3/PE~240V 50-60Hz, W=1/N/PE~100-110V 50-60Hz

vsezip.ru

+7(812)987-08-81



05\_006\_e



vsezip.ru

| ID                                 | P-code   | SN from | SN to | Mod. | Acces. | Volt | Description             |
|------------------------------------|----------|---------|-------|------|--------|------|-------------------------|
| <b>Module:Solenoid valve group</b> |          |         |       |      |        |      |                         |
| 24700                              | 30001001 |         | -     |      |        |      | Solenoid valve          |
| 24705                              | N.C.     |         | -     |      |        |      | Pression reducing valve |
| 24710                              | 80275    |         | -     |      |        |      | Pipe coupling           |
| 24715                              | 2000121  |         | -     |      |        |      | Filter                  |
| 24720                              | 12025    |         | -     |      |        |      | Coupling                |
| 24725                              | 22236    |         | -     |      |        |      | Support                 |

e=ELECTRONICAL SWITCHES, mc=SIMPLE BODY VERSION, uw=LOWER AND UPPER VERSION

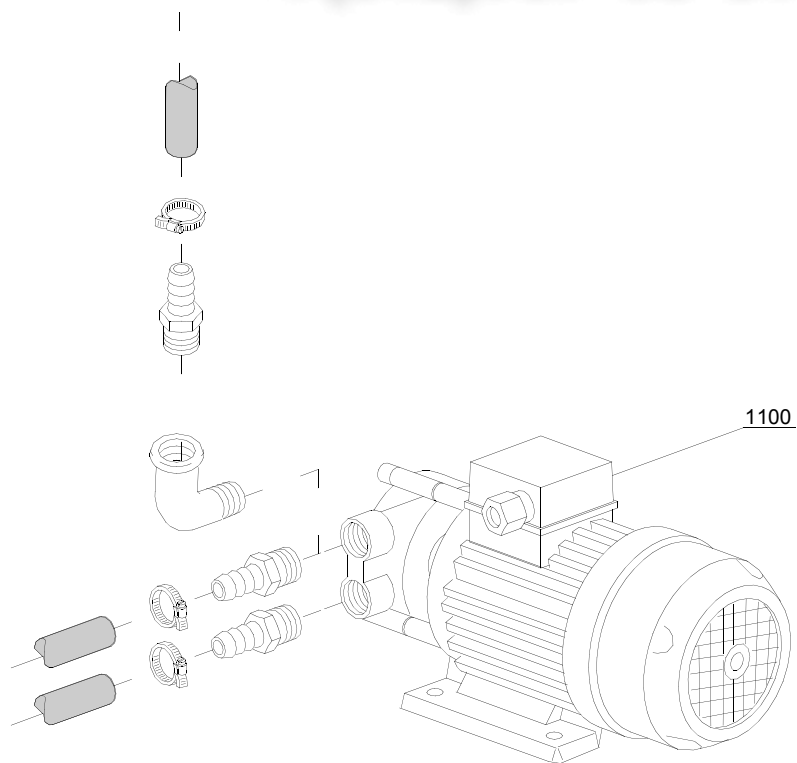
18ER=18ER

bp=BOOSTER PUMP, dvgw=DVGW, dd=DETERGENT DISPENCER, dp=DRAIN PUMP

A=3/N/PE~380-400V 50-60Hz, D=3/PE~200-210V 50-60Hz, F=2/PE~220-240V 50-60Hz, G=3/N/PE~415V 50-60Hz, H=3/PE~220-230V 50-60Hz, K=3/PE~380-400V 50-60Hz, L=3/PE~415V 50-60Hz, M=3/PE~440V 60Hz, P=1/N/PE~220-230V 50-60Hz, R=2/PE~220-240V 50-60Hz, U=1/N/PE~240V 50-60Hz, V=3/PE~240V 50-60Hz, W=1/N/PE~100-110V 50-60Hz

vsezip.ru

+7(812)987-08-81 07\_002\_e



vsezip.ru

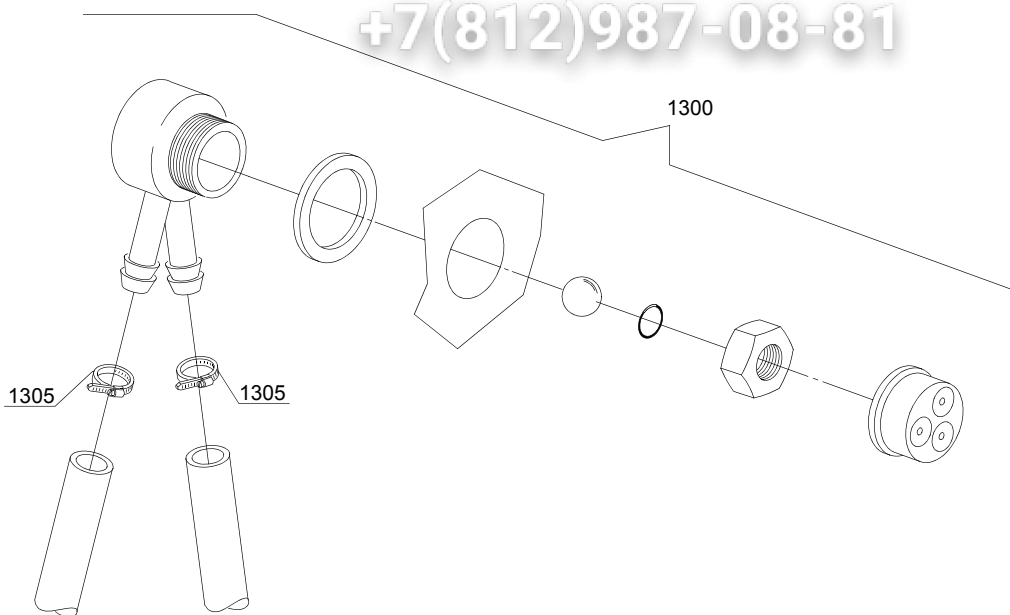
| ID                         | P-code  | SN from | SN to | Mod | Acces | Volt                        | Description                              |
|----------------------------|---------|---------|-------|-----|-------|-----------------------------|--|
| <b>Module:Booster pump</b> |         |         |       |     |       |                             |  |
| 1100                       | 15100   |         | -     |     | bp    | A,F,G,H,<br>K,L,P,R,<br>U,V | Booster pump 0,5HP/0,375kW 50Hz 220-240V |
| 1100                       | 15100/A |         | -     |     | bp    | A,F,G,H,<br>K,L,P,R,<br>U,V | Booster pump - 0,5HP/ 0,37kW 60Hz        |

e=ELECTRONICAL SWITCHES, mc=SIMPLE BODY VERSION, uw=LOWER AND UPPER VERSION

18ER=18ER

bp=BOOSTER PUMP, dvgw=DVGW, dd=DETERGENT DISPENCER, dp=DRAIN PUMP

A=3/N/PE~380-400V 50-60Hz, D=3/PE~200-210V 50-60Hz, F=2/PE~220-240V 50-60Hz, G=3/N/PE~415V 50-60Hz,  
H=3/PE~220-230V 50-60Hz, K=3/PE~380-400V 50-60Hz, L=3/PE~415V 50-60Hz, M=3/PE~440V 60Hz, P=1/N/PE~220-  
230V 50-60Hz, R=2/PE~220-240V 50-60Hz, U=1/N/PE~240V 50-60Hz, V=3/PE~240V 50-60Hz, W=1/N/PE~100-110V  
50-60Hz



08\_005\_e

vsezip.ru

| ID                  | P-code    | SN from | SN to | Mod. | Acces. | Volt | Description                    |
|---------------------|-----------|---------|-------|------|--------|------|--------------------------------|
| <b>Module: DVGW</b> |           |         |       |      |        |      |                                |
| 1300                | 999900006 |         | -     |      | dvgw   |      | DVGW assembly                  |
| 1305                | 11807     |         | -     |      | dvgw   |      | 12/22 clamp (minimum 3 pieces) |

e=ELECTRONICAL SWITCHES, mc=SIMPLE BODY VERSION, uw=LOWER AND UPPER VERSION

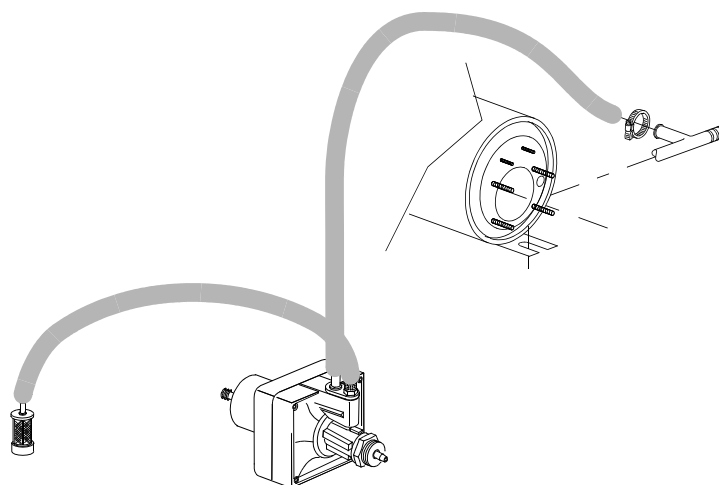
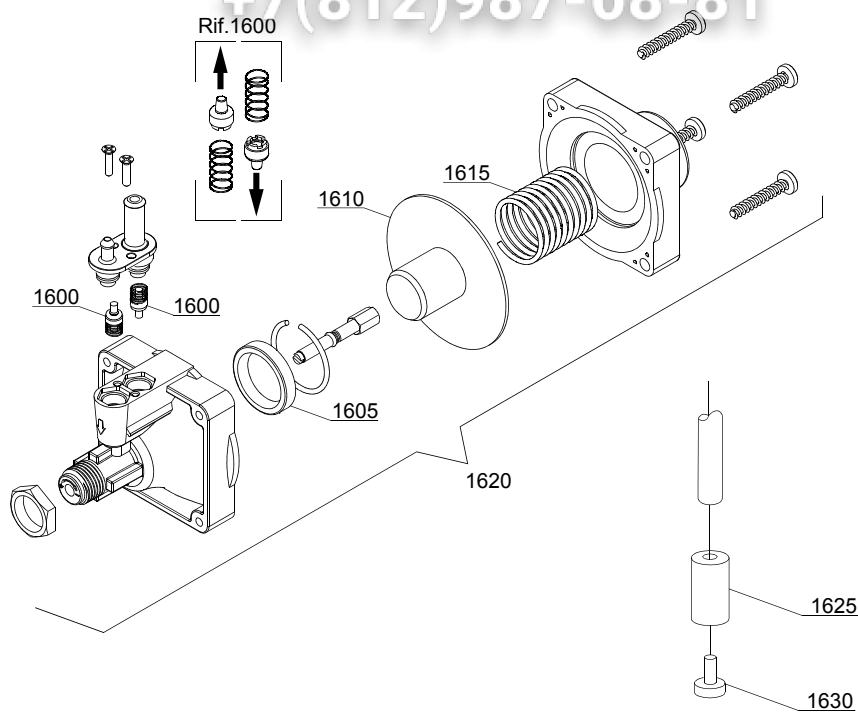
18ER=18ER

bp=BOOSTER PUMP, dvgw=DVGW, dd=DETERGENT DISPENCER, dp=DRAIN PUMP

A=3/N/PE~380-400V 50-60Hz, D=3/PE~200-210V 50-60Hz, F=2/PE~220-240V 50-60Hz, G=3/N/PE~415V 50-60Hz, H=3/PE~220-230V 50-60Hz, K=3/PE~380-400V 50-60Hz, L=3/PE~415V 50-60Hz, M=3/PE~440V 60Hz, P=1/N/PE~220-230V 50-60Hz, R=2/PE~220-240V 50-60Hz, U=1/N/PE~240V 50-60Hz, V=3/PE~240V 50-60Hz, W=1/N/PE~100-110V 50-60Hz

vsezip.ru

+7(812)987-08-81



10\_003\_e

| ID                                       | P-code   | SN from | SN to | Mod. | Acces | Volt | Description                       |
|--|----------|---------|-------|------|-------|------|-----------------------------------|
| <b>Module: Rinse aid dispenser group</b> |          |         |       |      |       |      |                                   |
| 1600                                     | 10805    |         | -     |      |       |      | Tecnopro non return valve         |
| 1605                                     | 10806    |         | -     |      |       |      | Ø22 O-ring                        |
| 1610                                     | 10807    |         | -     |      |       |      | Membrane                          |
| 1615                                     | 10808    |         | -     |      |       |      | Spring                            |
| 1620                                     | 10599999 |         | -     |      |       |      | Rinse aid pump                    |
| 1625                                     | 12525    |         | -     |      |       |      | Counter-weight                    |
| 1630                                     | 15058    |         | -     |      |       |      | Suction filter (minimum 3 pieces) |

e=ELECTRONICAL SWITCHES, mc=SIMPLE BODY VERSION, uw=LOWER AND UPPER VERSION

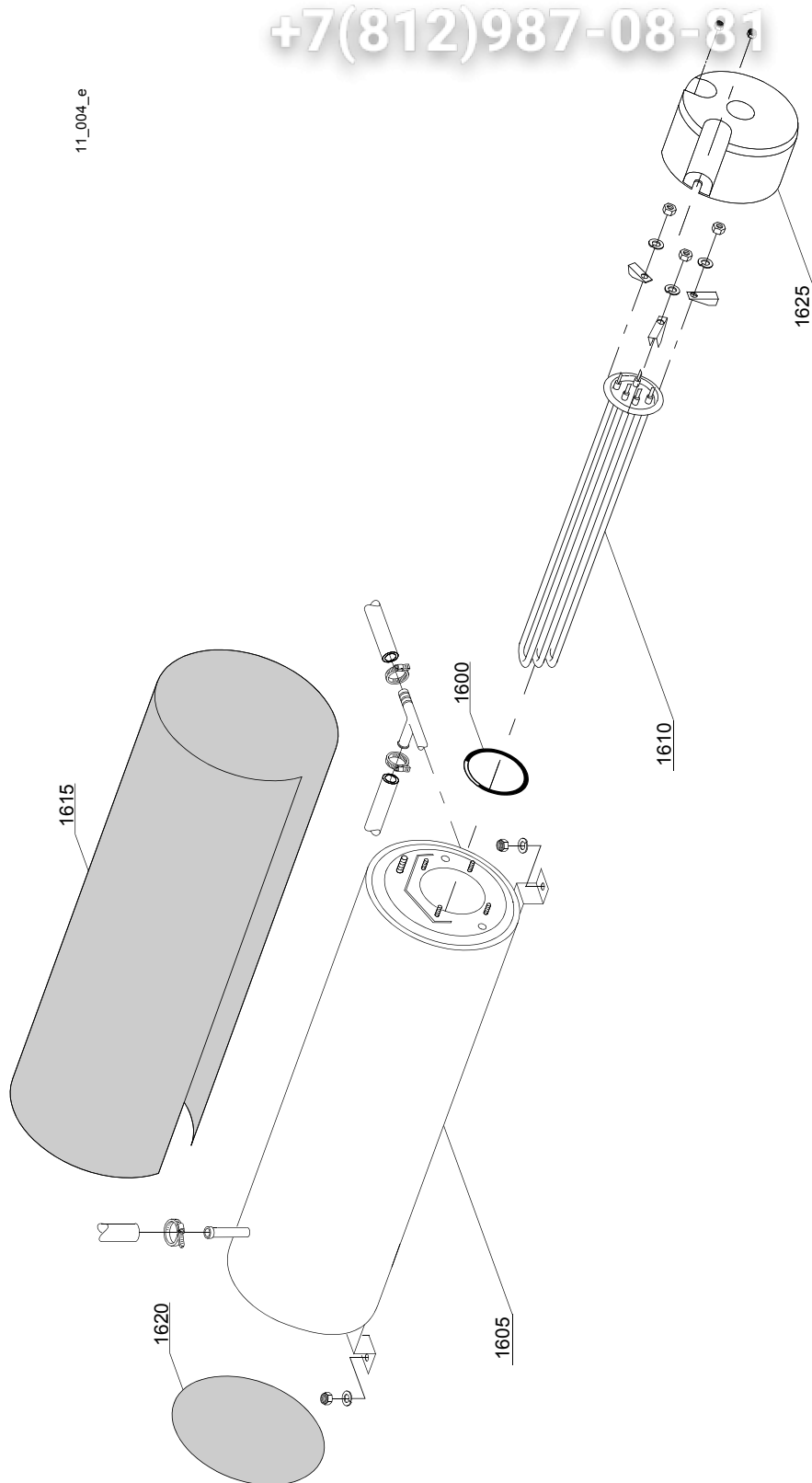
18ER=18ER

bp=BOOSTER PUMP, dvgw=DVGW, dd=DETERGENT DISPENCER, dp=DRAIN PUMP

A=3/N/PE~380-400V 50-60Hz, D=3/PE~200-210V 50-60Hz, F=2/PE~220-240V 50-60Hz, G=3/N/PE~415V 50-60Hz, H=3/PE~220-230V 50-60Hz, K=3/PE~380-400V 50-60Hz, L=3/PE~415V 50-60Hz, M=3/PE~440V 60Hz, P=1/N/PE~220-230V 50-60Hz, R=2/PE~220-240V 50-60Hz, U=1/N/PE~240V 50-60Hz, V=3/PE~240V 50-60Hz, W=1/N/PE~100-110V 50-60Hz

vsezip.ru

+7(812)987-08-81





| ID                         | P-code     | SN from | SN to | Mod. | Acces. | Volt                    | Description                          |
|----------------------------|------------|---------|-------|------|--------|-------------------------|--------------------------------------|
| <b>Module:Boiler group</b> |            |         |       |      |        |                         |                                      |
| 1600                       | 13015      |         | -     |      |        |                         | Gasket OR 6225 (minimum 5 pieces)    |
| 1605                       | 80905      |         | -     |      |        |                         | Boiler                               |
| 1610                       | 30001010   |         | -     |      |        | A,F,G,H,K,L,<br>P,R,U,V | Heating element 6/6,53KW 230/240V 3  |
| 1610                       | 30001011   |         | -     |      |        | A,F,G,H,K,L,<br>P,R,U,V | Heating element 9/9,8KW 230/240V 3   |
| 1610                       | 30001011/A |         | -     |      |        | A,F,G,H,K,L,<br>P,R,U,V | heating element12/13,07KW 230/240V 3 |
| 1610                       | 30001011/C |         | -     |      |        | M                       | heating element 9KW 254/440V         |
| 1615                       | 30002030   |         | -     |      |        |                         | Insulation boiler                    |
| 1620                       | 75205      |         | -     |      |        |                         | Ø160 end piece (minimum 2 pieces)    |
| 1625                       | 75311      |         | -     |      |        |                         | Casing                               |

e=ELECTRONICAL SWITCHES, mc=SIMPLE BODY VERSION, uw=LOWER AND UPPER VERSION

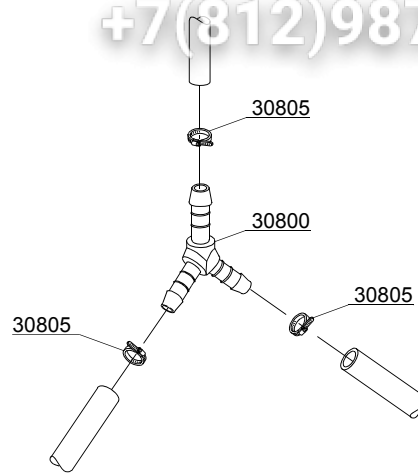
18ER=18ER

bp=BOOSTER PUMP, dvgw=DVGW, dd=DETERGENT DISPENCER, dp=DRAIN PUMP

A=3/N/PE~380-400V 50-60Hz, D=3/PE~200-210V 50-60Hz, F=2/PE~220-240V 50-60Hz, G=3/N/PE~415V 50-60Hz,  
H=3/PE~220-230V 50-60Hz, K=3/PE~380-400V 50-60Hz, L=3/PE~415V 50-60Hz, M=3/PE~440V 60Hz, P=1/N/PE~220-  
230V 50-60Hz, R=2/PE~220-240V 50-60Hz, U=1/N/PE~240V 50-60Hz, V=3/PE~240V 50-60Hz, W=1/N/PE~100-110V  
50-60Hz

vsezip.ru

+7(812)987-08-81



12\_003ae

vsezip.ru

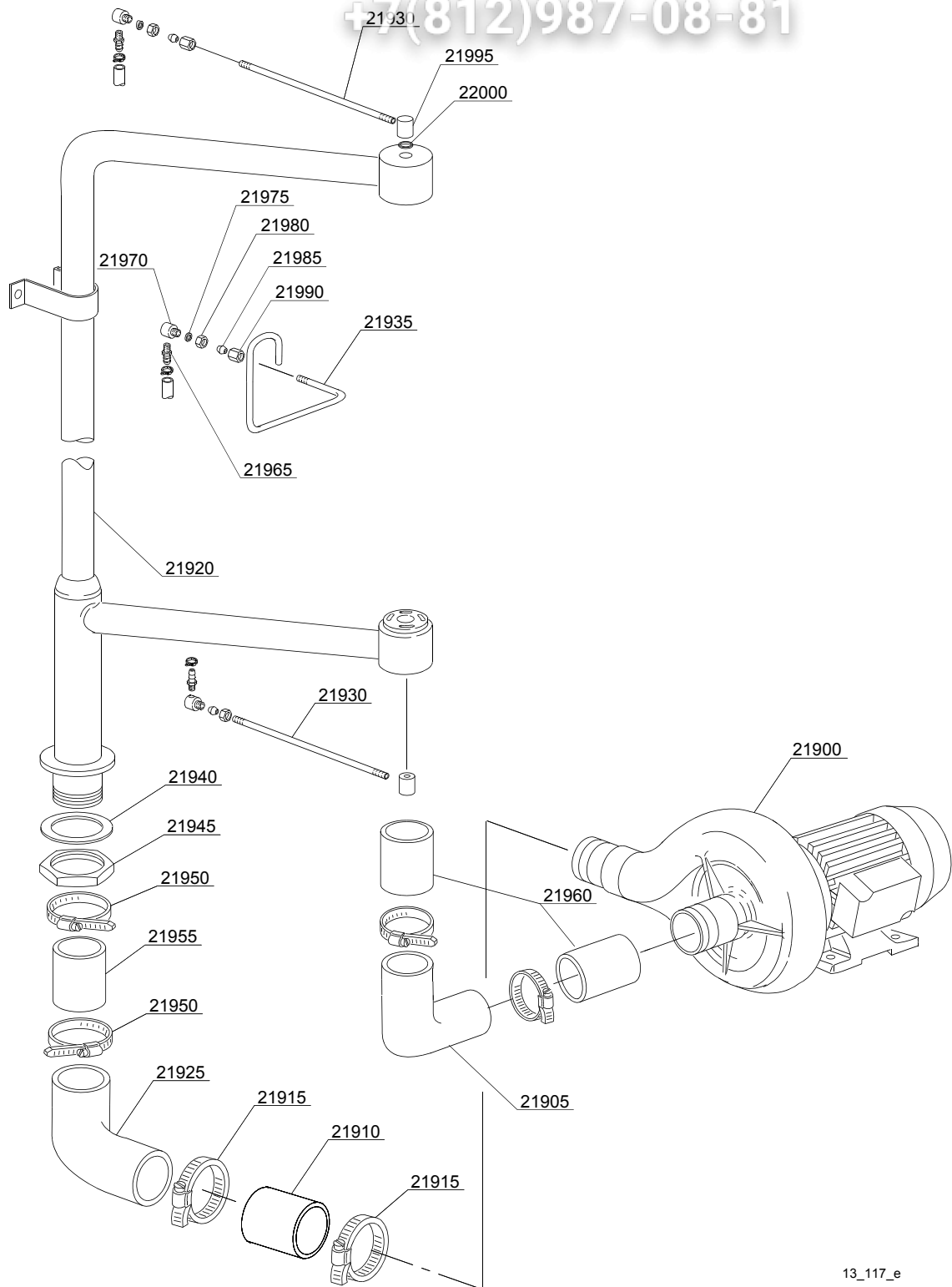
| ID                              | P-code | SN from | SN to | Mod. | Acces. | Volt | Description                      |
|---------------------------------|--------|---------|-------|------|--------|------|----------------------------------|
| <b>Module:3 ways connection</b> |        |         |       |      |        |      |                                  |
| 30800                           | 540091 |         | -     |      |        |      | Ø12 mm plastic 3 ways connection |
| 30805                           | 11807  |         | -     |      |        |      | Clamp 12-22 (minimum 3 pieces)   |

e=ELECTRONICAL SWITCHES, mc=SIMPLE BODY VERSION, uw=LOWER AND UPPER VERSION

18ER=18ER

bp=BOOSTER PUMP, dvgw=DVGW, dd=DETERGENT DISPENCER, dp=DRAIN PUMP

A=3/N/PE~380-400V 50-60Hz, D=3/PE~200-210V 50-60Hz, F=2/PE~220-240V 50-60Hz, G=3/N/PE~415V 50-60Hz, H=3/PE~220-230V 50-60Hz, K=3/PE~380-400V 50-60Hz, L=3/PE~415V 50-60Hz, M=3/PE~440V 60Hz, P=1/N/PE~220-230V 50-60Hz, R=2/PE~220-240V 50-60Hz, U=1/N/PE~240V 50-60Hz, V=3/PE~240V 50-60Hz, W=1/N/PE~100-110V 50-60Hz



13\_117\_e

| ID                       | P-code   | SN from | SN to | Mod. | Acces. | Volt      | Description                            |
|--------------------------|----------|---------|-------|------|--------|-----------|--|
| <b>Module: Wash pump</b> |          |         |       |      |        |           |  |
| 21900                    | 80913    |         | -     | uw   |        | A,H       | Pump 4Hp/3kW                           |
| 21900                    | 80914    |         | -     | uw   |        | G,L,U,V   | wash pump 4Hp/3kW 240/415V 50Hz        |
| 21900                    | 80916    |         | -     | uw   |        | A,F,H,K,P | wash pump - 4Hp/3kW 60Hz               |
| 21905                    | 80251    |         | -     | uw   |        |           | Suction elbow                          |
| 21910                    | 80501    |         | -     | uw   |        |           | Coupling pipe 94                       |
| 21915                    | 11837    |         | -     | uw   |        |           | Clamp 80-100                           |
| 21920                    | 80211    |         | -     | uw   |        |           | Wash ramp                              |
| 21925                    | 80252    |         | -     | uw   |        |           | Elbow                                  |
| 21930                    | 80210    |         | -     | uw   |        |           | Rinse collector                        |
| 21935                    | 10200361 |         | -     | uw   |        |           | Filling pipe                           |
| 21940                    | 80208    |         | -     | uw   |        |           | 95x75x3 O-ring (minimum 2 pieces)      |
| 21945                    | 80213/A  |         | -     | uw   |        |           | Ramp fixing nut                        |
| 21950                    | 2902491  |         | -     | uw   |        |           | 60-80 clamp (minimum 2 pieces)         |
| 21955                    | 80500    |         | -     | uw   |        |           | Coupling pipe 63,5x90                  |
| 21960                    | 80502    |         | -     | uw   |        |           | Coupling pipe 75x130mm                 |
| 21965                    | 12005    |         | -     | uw   |        |           | Rubber holder ¼                        |
| 21970                    | 80231    |         | -     | uw   |        |           | Pipe fitting                           |
| 21975                    | 10200171 |         | -     | uw   |        |           | Gasket 17x25x2 (minimum 10 pieces)     |
| 21980                    | 10200101 |         | -     | uw   |        |           | Nut                                    |
| 21985                    | 10200182 |         | -     | uw   |        |           | Cone (minimum 3 pieces)                |
| 21990                    | 10600016 |         | -     | uw   |        |           | Nut                                    |
| 21995                    | 10600202 |         | -     | uw   |        |           | Coupling                               |
| 22000                    | 13009    |         | -     | uw   |        |           | OR 2050 NBR O-ring (minimum 40 pieces) |

e=ELECTRONICAL SWITCHES, mc=SIMPLE BODY VERSION, uw=LOWER AND UPPER VERSION

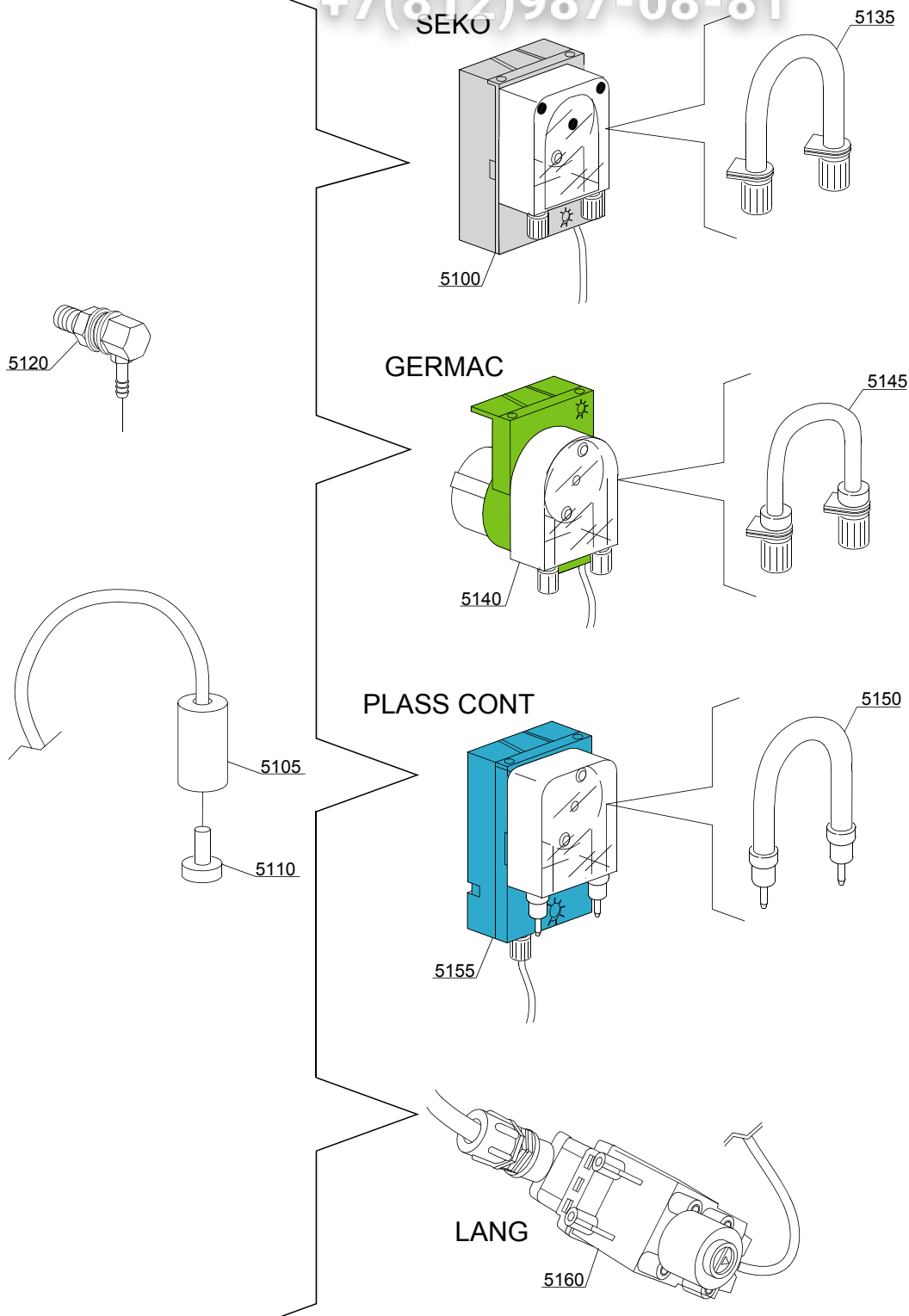
18ER=18ER

bp=BOOSTER PUMP, dvgw=DVGW, dd=DETERGENT DISPENCER, dp=DRAIN PUMP

A=3/N/PE~380-400V 50-60Hz, D=3/PE~200-210V 50-60Hz, F=2/PE~220-240V 50-60Hz, G=3/N/PE~415V 50-60Hz, H=3/PE~220-230V 50-60Hz, K=3/PE~380-400V 50-60Hz, L=3/PE~415V 50-60Hz, M=3/PE~440V 60Hz, P=1/N/PE~220-230V 50-60Hz, R=2/PE~220-240V 50-60Hz, U=1/N/PE~240V 50-60Hz, V=3/PE~240V 50-60Hz, W=1/N/PE~100-110V 50-60Hz

vsezip.ru

+7(812)987-08-81



14\_004\_e

| ID                                   | P-code   | SN from | SN to | Mod. | Acces | Volt | Description                       |
|--------------------------------------|----------|---------|-------|------|-------|------|-----------------------------------|
| <b>Module:Dosing detergent group</b> |          |         |       |      |       |      |                                   |
| 5100                                 | 15985    |         | -     |      | dd    |      | Seko detergent pump               |
| 5105                                 | 12525    |         | -     |      | dd    |      | Counter-weight                    |
| 5110                                 | 15058    |         | -     |      | dd    |      | Suction filter (minimum 3 pieces) |
| 5120                                 | 15123    |         | -     |      | dd    |      | Steel injector                    |
| 5125                                 | 15159    |         | -     |      | dd    |      | OR O-ring (minimum 2 pieces)      |
| 5130                                 | 10200205 |         | -     |      | dd    |      | Nut m12x1 (minimum 2 pieces)      |
| 5135                                 | 15185    |         | -     |      | dd    |      | Ø 10 Seko thermoplastic pipe      |
| 5140                                 | 15985    |         | -     |      | dd    |      | Germac detergent pump             |
| 5145                                 | 15108/E  |         | -     |      | dd    |      | Ø 8 Germac thermoplastic pipe     |
| 5150                                 | 15985/A  |         | -     |      | dd    |      | Ø 10 PLAS CONT thermoplastic pipe |
| 5155                                 | 15985    |         | -     |      | dd    |      | PLAS CONT detergent pump          |
| 5160                                 | 15108/L  |         | -     |      | dd    |      | LANG detergent pump               |

e=ELECTRONICAL SWITCHES, mc=SIMPLE BODY VERSION, uw=LOWER AND UPPER VERSION

18ER=18ER

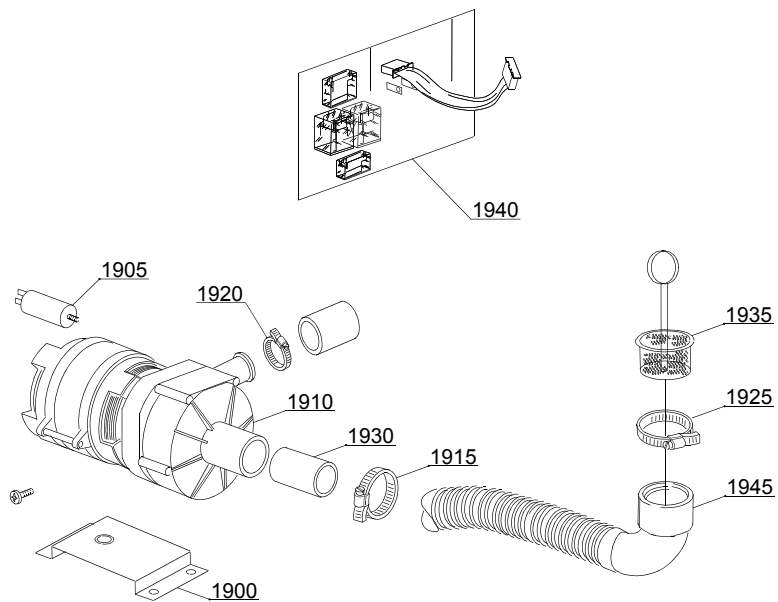
bp=BOOSTER PUMP, dvgw=DVGW, dd=DETERGENT DISPENCER, dp=DRAIN PUMP

A=3/N/PE~380-400V 50-60Hz, D=3/PE~200-210V 50-60Hz, F=2/PE~220-240V 50-60Hz, G=3/N/PE~415V 50-60Hz, H=3/PE~220-230V 50-60Hz, K=3/PE~380-400V 50-60Hz, L=3/PE~415V 50-60Hz, M=3/PE~440V 60Hz, P=1/N/PE~220-230V 50-60Hz, R=2/PE~220-240V 50-60Hz, U=1/N/PE~240V 50-60Hz, V=3/PE~240V 50-60Hz, W=1/N/PE~100-110V 50-60Hz

vsezip.ru

+7(812)987-08-81

15\_003\_e





| ID                              | P-code   | SN from | SN to | Mod. | Acces. | Volt                | Description                      |
|---------------------------------|----------|---------|-------|------|--------|---------------------|----------------------------------|
| <b>Module: Drain pump group</b> |          |         |       |      |        |                     |                                  |
| 1900                            | 440122   |         | -     |      | dp     |                     | Pump support                     |
| 1905                            | 10702    |         | -     |      | dp     |                     | 5 Uf Condenser                   |
| 1910                            | 10501/A  |         | -     |      | dp     | A,F,G,H,K,L,P,R,U,V | Drain pump 0,10Hp/190W 230V 50Hz |
| 1915                            | 11806    |         | -     |      | dp     |                     | 25/40 clamp (minimum 2 pieces)   |
| 1920                            | 11836    |         | -     |      | dp     |                     | 20/32 clamp (minimum 2 pieces)   |
| 1925                            | 11809    |         | -     |      | dp     |                     | 30/45 clamp (minimum 2 pieces)   |
| 1930                            | 18044    |         | -     |      | dp     |                     | Ø28 top wash pipe                |
| 1935                            | 10200039 |         | -     |      | dp     |                     | Flow drain filter                |
| 1940                            | 50567    |         | -     |      | dp     |                     | Relay card                       |
| 1945                            | 11600050 |         | -     |      | dp     |                     | Suction pipe                     |

e=ELECTRONICAL SWITCHES, mc=SIMPLE BODY VERSION, uw=LOWER AND UPPER VERSION

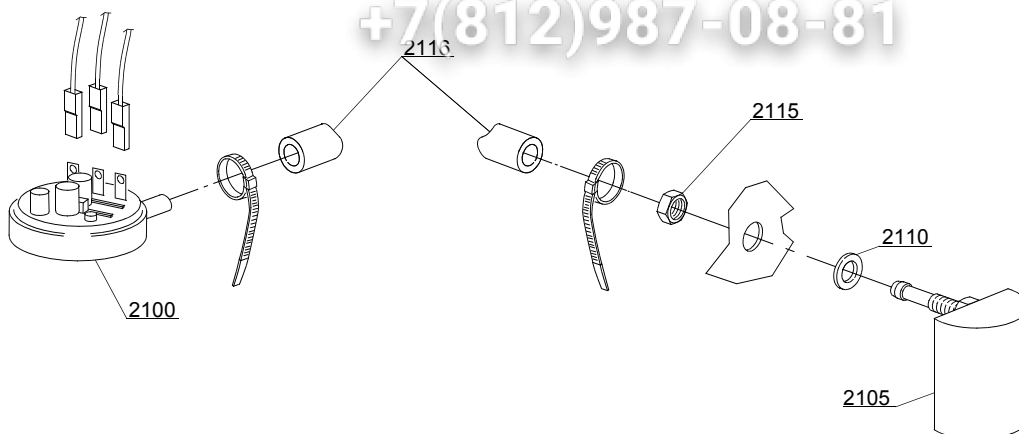
18ER=18ER

bp=BOOSTER PUMP, dvgw=DVGW, dd=DETERGENT DISPENCER, dp=DRAIN PUMP

A=3/N/PE~380-400V 50-60Hz, D=3/PE~200-210V 50-60Hz, F=2/PE~220-240V 50-60Hz, G=3/N/PE~415V 50-60Hz, H=3/PE~220-230V 50-60Hz, K=3/PE~380-400V 50-60Hz, L=3/PE~415V 50-60Hz, M=3/PE~440V 60Hz, P=1/N/PE~220-230V 50-60Hz, R=2/PE~220-240V 50-60Hz, U=1/N/PE~240V 50-60Hz, V=3/PE~240V 50-60Hz, W=1/N/PE~100-110V 50-60Hz

vsezip.ru

+7(812)987-08-81



16\_001\_e

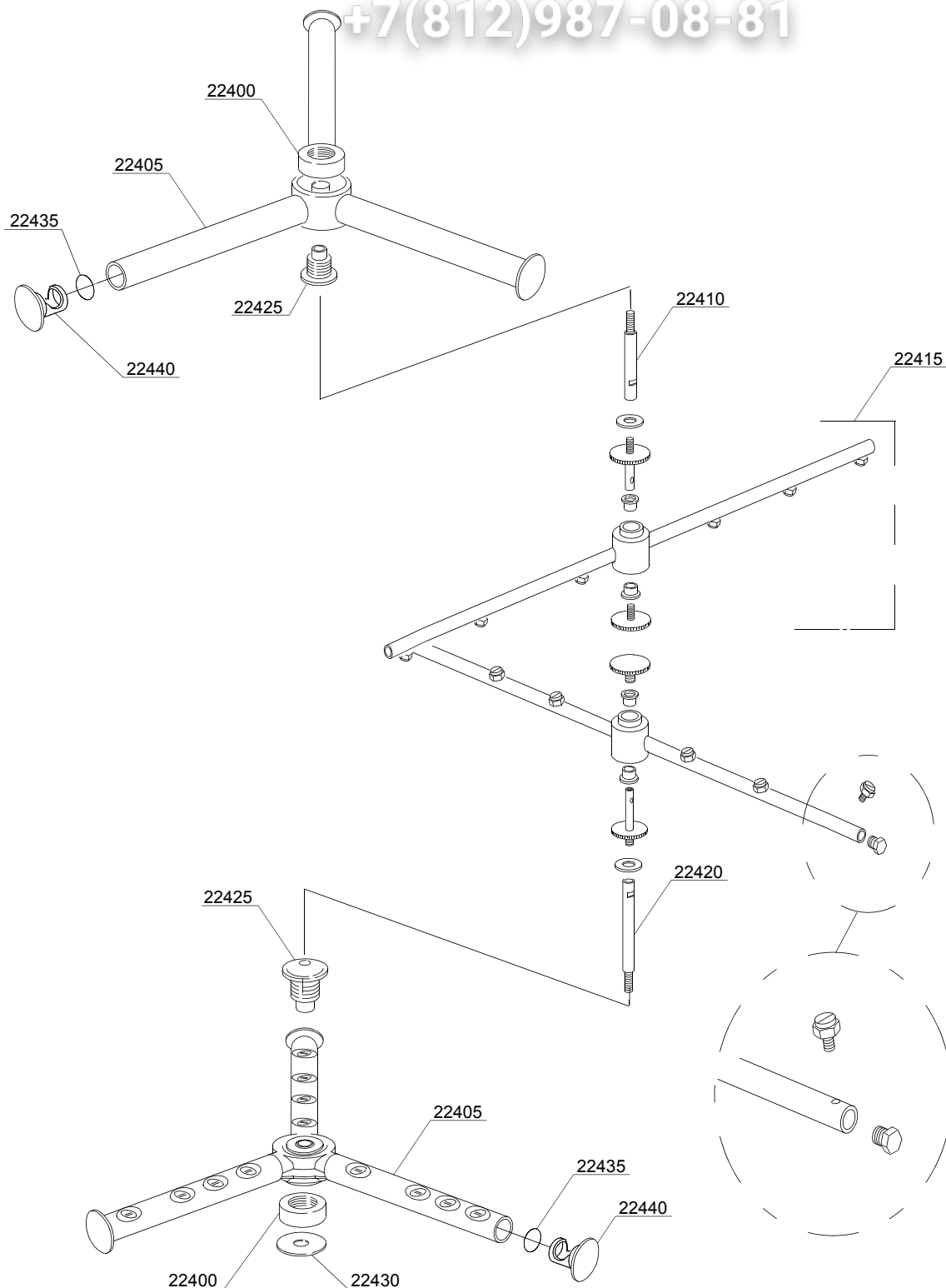
| ID   | P-code | SN from | SN to | Mod | Acces | Volt | Description                         |
|--|--------|---------|-------|-----|-------|------|-------------------------------------|
| <b>Module: Pressure switch group with air trap</b> |        |         |       |     |       |      |                                     |
| 2100   | 80225  |         | -     | mc  |       |      | Pressure switch                     |
| 2105   | 135911 |         | -     |     |       |      | Air trap                            |
| 2110   | 13301  |         | -     |     |       |      | Gasket 14x8x1,5 (minimum 10 pieces) |
| 2115   | 11702  |         | -     |     |       |      | Nut M8 (minimum 10 pieces)          |
| 2116   | 14508  |         | -     |     |       |      | Pressure tube EPDM 4,5x9            |

e=ELECTRONICAL SWITCHES, mc=SIMPLE BODY VERSION, uw=LOWER AND UPPER VERSION

18ER=18ER

bp=BOOSTER PUMP, dvgw=DVGW, dd=DETERGENT DISPENCER, dp=DRAIN PUMP

A=3/N/PE~380-400V 50-60Hz, D=3/PE~200-210V 50-60Hz, F=2/PE~220-240V 50-60Hz, G=3/N/PE~415V 50-60Hz, H=3/PE~220-230V 50-60Hz, K=3/PE~380-400V 50-60Hz, L=3/PE~415V 50-60Hz, M=3/PE~440V 60Hz, P=1/N/PE~220-230V 50-60Hz, R=2/PE~220-240V 50-60Hz, U=1/N/PE~240V 50-60Hz, V=3/PE~240V 50-60Hz, W=1/N/PE~100-110V 50-60Hz



17\_115\_e

vsezip.ru

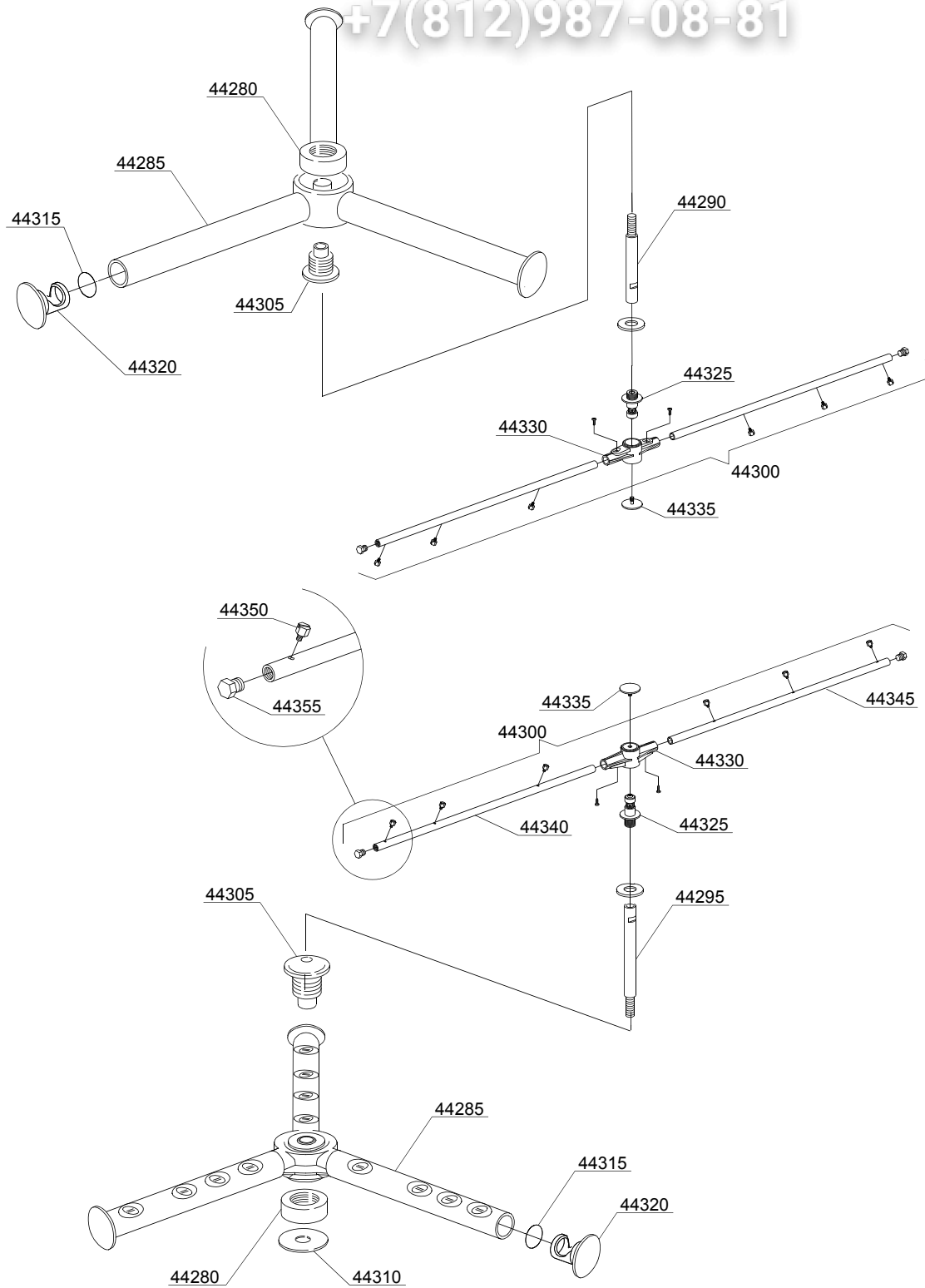
| ID  | P-code   | SN from | SN to | Mod. | Acces. | Volt | Description         |
|---|----------|---------|-------|------|--------|------|---------------------|
| <b>Module:Turret group with rotating arms</b> |          |         |       |      |        |      |                     |
| 22400   | 80222    |         | -     | uw   |        |      | Nut for hub         |
| 22405   | 80218    |         | -     | uw   |        |      | Wash group          |
| 22410   | 80321    |         | -     | uw   |        |      | Top shaft           |
| 22415   | 90003    |         | -     | uw   |        |      | Rinse group         |
| 22420   | 80320    |         | -     | uw   |        |      | Lower shaft         |
| 22425   | 80221    |         | -     | uw   |        |      | Holder              |
| 22430   | 11600033 |         | -     | uw   |        |      | Flow reduction ring |
| 22435   | 13023    |         | -     | uw   |        |      | O-ring              |
| 22440   | 3003029  |         | -     | uw   |        |      | Plug                |

e=ELECTRONICAL SWITCHES, mc=SIMPLE BODY VERSION, uw=LOWER AND UPPER VERSION

18ER=18ER

bp=BOOSTER PUMP, dvgw=DVGW, dd=DETERGENT DISPENCER, dp=DRAIN PUMP

A=3/N/PE~380-400V 50-60Hz, D=3/PE~200-210V 50-60Hz, F=2/PE~220-240V 50-60Hz, G=3/N/PE~415V 50-60Hz, H=3/PE~220-230V 50-60Hz, K=3/PE~380-400V 50-60Hz, L=3/PE~415V 50-60Hz, M=3/PE~440V 60Hz, P=1/N/PE~220-230V 50-60Hz, R=2/PE~220-240V 50-60Hz, U=1/N/PE~240V 50-60Hz, V=3/PE~240V 50-60Hz, W=1/N/PE~100-110V 50-60Hz



| ID  | P-code   | SN from | SN to | Mod. | Acces. | Volt | Description                                  |
|---|----------|---------|-------|------|--------|------|--|
| <b>Module:Turret group with rotating arms</b> |          |         |       |      |        |      |  |
| 44280   | 80222    |         | -     | uw   |        |      | Nut for hub                                  |
| 44285   | 80218    |         | -     | uw   |        |      | Wash group                                   |
| 44290   | 80321    |         | -     | uw   |        |      | Top shaft                                    |
| 44295   | 80320    |         | -     | uw   |        |      | Lower shaft                                  |
| 44300   | 90003    |         | -     | uw   |        |      | Rinse group                                  |
| 44305   | 80221    |         | -     | uw   |        |      | Holder                                       |
| 44310   | 11600033 |         | -     | uw   |        |      | Flow reduction ring                          |
| 44315   | 13023    |         | -     | uw   |        |      | OR O-ring 131 (4093) NBR (minimum 10 pieces) |
| 44320   | 3003029  |         | -     | uw   |        |      | Plug   |
| 44325   | 10651    |         | -     | uw   |        |      | Rinse axle                                   |
| 44330   | 10650    |         | -     | uw   |        |      | Rinse arm                                    |
| 44335   | 10652    |         | -     | uw   |        |      | Rinse arm screw                              |
| 44340   | 10660    |         | -     | uw   |        |      | Left rinse arm - stainless steel nozzle      |
| 44345   | 10659    |         | -     | uw   |        |      | Right rinse arm - stainless steel nozzle     |
| 44350   | 560018   |         | -     | uw   |        |      | Stanless steel rinse nozle                   |
| 44355   | 560017   |         | -     | uw   |        |      | Rinse arm plug                               |

e=ELECTRONICAL SWITCHES, mc=SIMPLE BODY VERSION, uw=LOWER AND UPPER VERSION  
18ER=18ER

bp=BOOSTER PUMP, dvgw=DVGW, dd=DETERGENT DISPENCER, dp=DRAIN PUMP

A=3/N/PE~380-400V 50-60Hz, D=3/PE~200-210V 50-60Hz, F=2/PE~220-240V 50-60Hz, G=3/N/PE~415V 50-60Hz,  
H=3/PE~220-230V 50-60Hz, K=3/PE~380-400V 50-60Hz, L=3/PE~415V 50-60Hz, M=3/PE~440V 60Hz, P=1/N/PE~220-  
230V 50-60Hz, R=2/PE~220-240V 50-60Hz, U=1/N/PE~240V 50-60Hz, V=3/PE~240V 50-60Hz, W=1/N/PE~100-110V  
50-60Hz